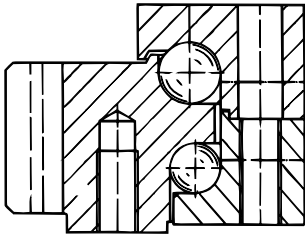
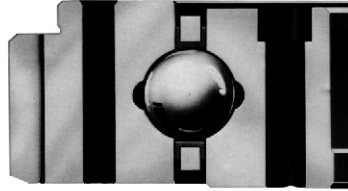


Other Types of Avon Bearings

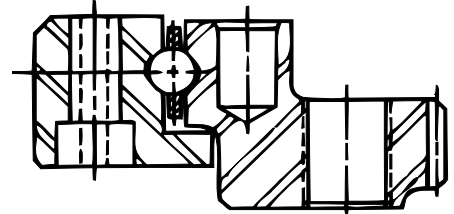
Most of the bearings described in this design guide and catalog are a four-point contact ball bearing, crossed roller or a triple-row roller style. Several other design configurations are available from Avon Bearings.



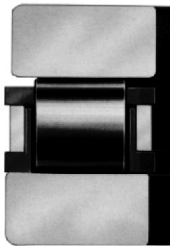
Avon Series D Double-Row, Angular Contact Ball (Tower Cranes)



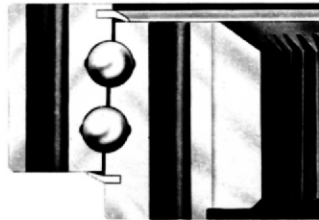
4-Point Contact Ball with integral precision gear (to AGMA Class 10) and precision ground mounting surfaces. (Radar, Communication Antenna)



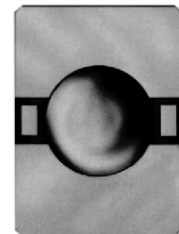
V-Groove Raceway with plastic balls (Gun Mount)



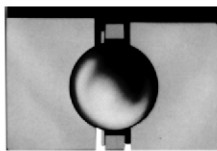
Thrust Roller (Machine Tools)



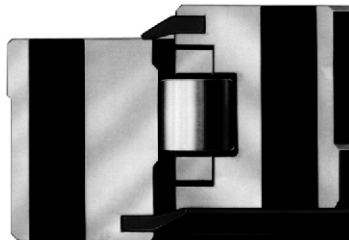
8-Point Contact, Double-Row Ball. (Wind Turbines)



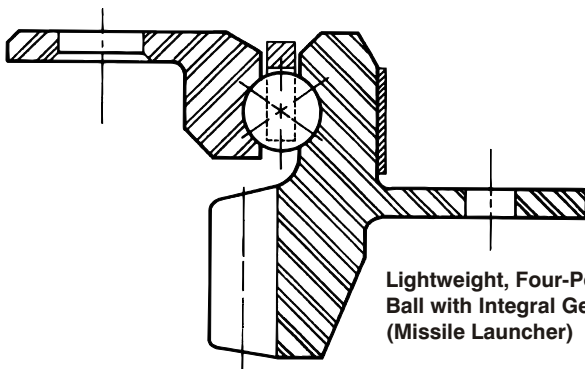
Ball Thrust (Machine Tools)



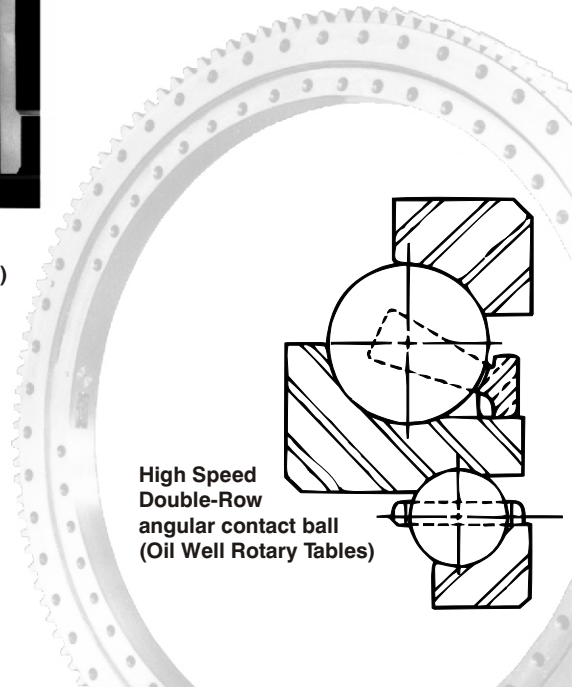
Precision Radial Ball (Radar, Communication Antenna)



Radial Roller (Telescopes, Machine Tools)



Lightweight, Four-Point Contact Ball with Integral Gear (Missile Launcher)



High Speed Double-Row angular contact ball (Oil Well Rotary Tables)



AVON
BEARINGS

**ENGINEERING GUIDE
and
CATALOG**



AVON BEARINGS CORPORATION

1500 Nagle Road • Avon, Ohio 44011

Telephone: 440-871-2500 • Fax: 440-871-2503 • Toll Free: 800-286-6274

www.avonbearings.com • E-Mail: info@avonbearings.com