

# Rebuild and Retrofit Program

**24 hours-a-day / 7 days-a-week**

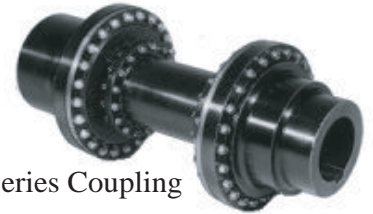


**Power Generation**  
**Petro-Chemical**

***Ameridrives***<sup>®</sup>  
***Couplings***

P.O. Box 4000  
Erie, PA 16512-4000  
Telephone: 814-480-5000  
Fax: 814-453-5891  
[www.ameridrives.com](http://www.ameridrives.com)

Introduced in 1971, the **Ameriflex** multiple-convoluted diaphragm coupling continues to set new standards for life and reliability in high performance applications for power generation and petrochemical markets.



Ameriflex RR Series Coupling

## Retrofit Upgrade

**Ameriflex** diaphragm couplings are custom designed for critical high performance petrochemical and power plant applications including:

- Compressors
- Generators
- Fans
- Pumps  
(specifically, boiler feed pumps)

Upgrading to **Ameriflex** couplings provides the following benefits:

- Infinite life design
- No required maintenance or lubrication
- Low end thrust and bending moment
- Significant life cycle cost savings



## Inspection Rebuild

Too often during scheduled turnarounds, the coupling is forgotten until 24-hours before start-up. Costly delay can be avoided if the coupling is submitted for complete inspection early in scheduled turnarounds. Inspections can include:

- Cleaning
- Visual Inspect
- Dimensional Inspect
- NDE

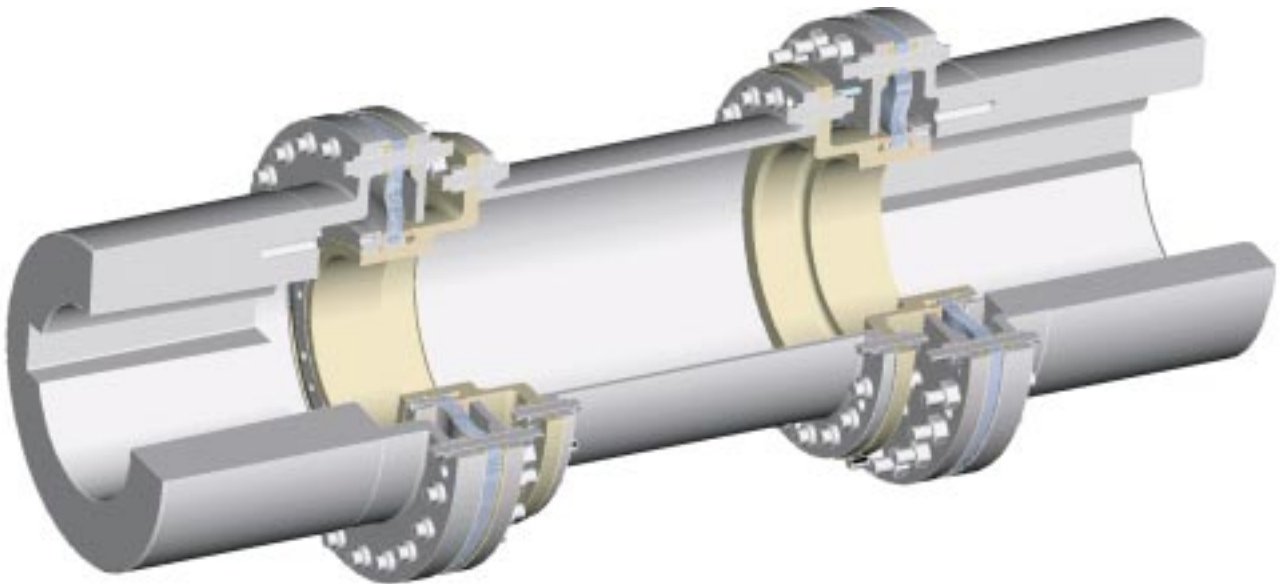
Our work scope can include part rework, fastener replacement, balancing to original specifications or total replacement.

We stock raw material, semi-finished and finished components for gear and dry couplings and also have the ability to machine bolts for special applications.

**Ameridrives Couplings** and **Shackelford-Wattner**, working as a team at two locations, are able to respond to your repair needs immediately with expedited service and factory support.

# Services Provided

- Precision High-Speed Gear Couplings**
- Non-Lubricated Diaphragm Couplings**
- API 671 Special Purpose Couplings**
- Balancing**
- Replacement Parts**
- Expedited Delivery Available**
- Inspection and Repair of Couplings**
- Special Replacement Fasteners**
- Plug and Ring Gage Sets**
- Lapping Tools**



Erie, Pennsylvania  
Phone: 814-480-5000  
Fax: 814-453-5891  
[www.ameridrives.com](http://www.ameridrives.com)



Houston, Texas  
Phone: 713-644-5595  
Fax: 713-644-6334  
[www.swtcb.com](http://www.swtcb.com)

# Repair Checklist

- Recently Pulled from Service
- Routine Turnaround
- Pre-Installation
- Emergency Breakdown
- Thoroughly Clean Coupling
- Visually Inspect
  - Gouges / Dents / Mechanical Damage
  - Gearing or Flex Element for signs of wear or damage
- Dimensionally Inspect
  - Pilot Diameters and Bores
  - Spacer / Shaft Length
  - Gear Major Diameters and Tooth Tip Clearance
  - Gear Wear
- Magnetic Particle Inspection
- Fasteners
  - Reuse or replace with weight matched set
- Inspection Report and Rebuild Quote

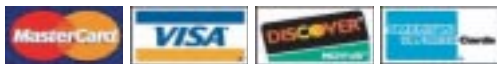
## Information Required for Upgrade/New Design

Max. continuous power \_\_\_\_\_ HP or kw  
 Speed Range \_\_\_\_\_ RPM  
 Peak torque / overloads \_\_\_\_\_ Lb.-In. or N-m  
 Thermal movements axial \_\_\_\_\_ In. or mm  
 Angular \_\_\_\_\_ degrees parallel offset \_\_\_\_\_ In. or mm  
 Distance between shaft ends \_\_\_\_\_ In. or mm  
 Drive shaft size \_\_\_\_\_ In. or mm  
 Straight, tapered, no. keys, size \_\_\_\_\_  
 Load shaft size \_\_\_\_\_ In. or mm  
 Straight, tapered, no. keys, size \_\_\_\_\_  
 Minimum service factor \_\_\_\_\_  
 Envelope Restrictions \_\_\_\_\_  
 Weight \_\_\_\_\_ lbs.  
 Torsional Stiffness \_\_\_\_\_ In.-lb./rad.



P. O. Box 4000  
 Erie, PA USA 16512-4000  
 Telephone: 814-480-5000  
 Fax: 814-453-5891  
[www.ameridrives.com](http://www.ameridrives.com)

Ameridrives accepts the following credit cards:



[Ameriflex® Diaphragm Couplings](#)  
[Amerigear® Gear Couplings](#)  
[Amerigear® Mill Spindles](#)  
[Americardan™ Universal Joints](#)  
[Amerigear® Metal Labyrinth Seal Couplings](#)  
[Ameriflex® Diaphragm Couplings NC Series](#)  
[Ameridrives® Repair and Maintenance](#)