

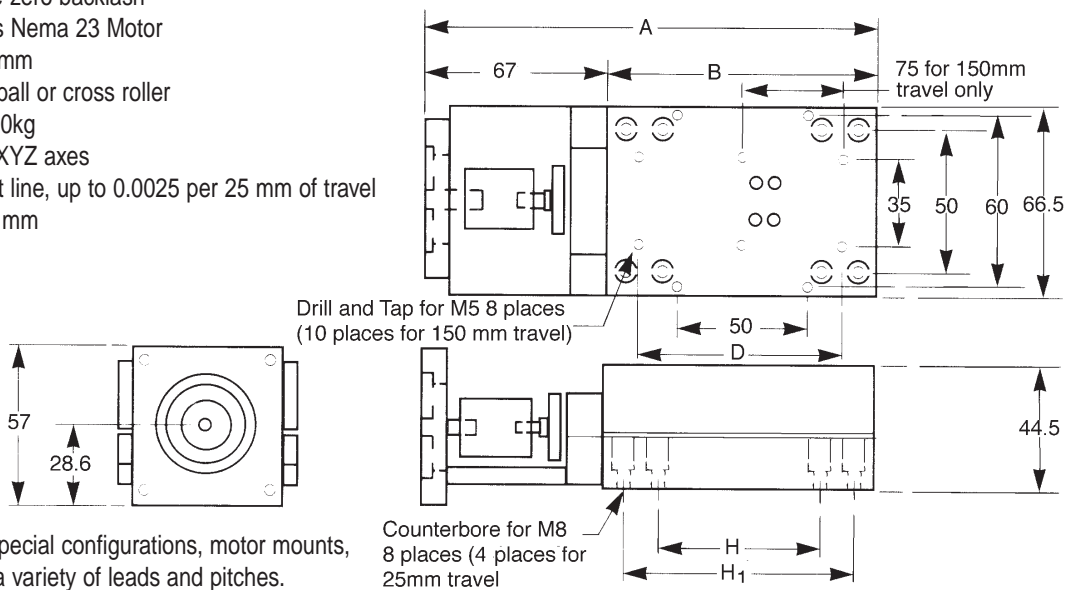
## 6 Reasons to Choose Posi-Drive Stages

1. Positive Leadscrew Drive
2. Zero Backlash
3. Friction-free Linear ball or roller slides
4. Accurate repeatable linear travel
5. Compact Adaptable Configuration
6. Acceptable to Standard Nema Configuration



### Specifications

**Drive:** 10 mm diameter 2mm pitch leadscrew with anti-backlash nut  
**Coupling:** Flexible-zero backlash  
**Motor:** accepts Nema 23 Motor  
**Travel:** 25-150mm  
**Slide:** Linear ball or cross roller  
**Load:** Up to 50kg  
**Configuration:** X, XY, XYZ axes  
**Accuracy:** Straight line, up to 0.0025 per 25 mm of travel  
**Repeatability:** 0.0025 mm



Also available are special configurations, motor mounts, hand cranks, and a variety of leads and pitches. Contact Automotion for details.

Part Number	Travel	A	B	D	H	H <sub>1</sub>	Load Capacity Kg
<b>BALLSLIDE</b>							
LSA3-25-B02	25	143	76	55	60	0	13
LSA3-50-B02	50	169	102	75	60	85	15
LSA3-75-B02	75	194	127	100	60	110	18
LSA3-100-B02	100	219	152	125	60	135	20
LSA3-150-B02	150	295	228	150	100	175	25
<b>CROSS-ROLLER</b>							
LRSA-25-B02	25	143	76	55	60	0	26
LRSA-50-B02	50	169	102	75	60	85	30
LRSA-75-B02	75	194	127	100	60	110	36
LRSA-100-B02	100	219	152	125	60	135	40
LRSA-150-B02	150	295	228	150	100	175	50

### Ordering Example

**L SA3-25-B02 =** L (Lead screw Actuator) **SA3** (Ball type) **-25-** (Travel) **B** (10mm Leadscrew Dia.) **02** (2mm Pitch)  
**L RSA3-25-B02 =** L (Lead screw Actuator) **RSA3** (Cross Roller type) **-25-** (Travel) **B** (10mm Leadscrew Dia.) **02** (2mm Pitch)