

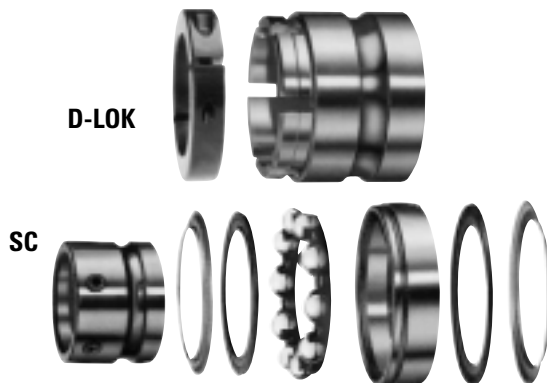
DODGE® E-Z KLEEN® POLYMER HOUSED MOUNTED BALL BEARINGS

Designed for the speed and load capacities and the wash down environment of the food and beverage industries.

General Description:

Insert --- The corrosion resistant insert features:

- Two shaft locking systems available SC and D-LOK
- Available in inch and metric shaft sizes.
- Anti rotation pin
- PROGUARD Plus Seals
- Temperature range -20° to 225° F
- Carries full rated bearing capacity with corrosion resistance equivalent to a 400 series stainless.



Popular Housing Styles Shaft Sizes Available ---

- Pillow Blocks— $3/4$ to $2''$, 20mm to 50mm
- Tapped Base Pillow Blocks— $3/4$ to $1\ 7/16''$, 20mm to 35mm
- Two and Four Bolt Flange Bearings— $3/4$ to $2''$, 20mm to 50mm
- Flange Brackets— $3/4$ to $1\ 7/16''$, 20mm to 35mm
- Wide Slot Take Up Bearings— $3/4$ to $1\ 7/16''$, 20mm to 35mm

Housing --- The rugged solid base housings feature:

- An anti-microbial polymer that helps prevent bacterial and fungal growth
- Manufactured with a solid base, no cavities or fillings --- no traps for contaminants
- Stainless steel ferrules in the bolt holes
- Retains dimensional stability in harsh environments
- Resists flaking or peeling
- Provides excellent chemical resistance
- End closures available
- FDA/USDA compliant

Patent Pending



Lubrication: E-Z-KLEEN mounted ball bearings for the food and beverage industry are factory pre-lubricated. Beverage Bearings are sealed for life and are designated with BEV suffix. Bearings designated with a PCR suffix are relubricable.

Application: E-Z KLEEN mounted ball bearings are well suited for a variety of applications in moist and corrosive atmospheres. Examples include:

- Brewing, Beverage, Bottling Plants
- Food processing and packaging plants
- Processing Plants—meat, poultry and seafood
- Dairy plants
- Pharmaceutical plants



New DODGE E-Z KLEEN with solid-base housing



Competitive bearing with cavities and fillings that can trap bacteria

NOMENCLATURE:

F2B-SCEZ-103-BEV

Hsg Style

Bearing Type

Shaft Size

Feature

SCEZ = SC E-Z KLEEN

Bev-Sealed for life
 PCR-Relubrical

- F2B 2 Bolt Flg.
- F4B 4 Bolt Flg.
- P2B Pillow Blk
- TB Tapped Base Pillow Blk
- FB Flange Bracket
- WSTU Wide Slot Take Up

Inches & 16ths
 First digit: Number of inches
 Next two digits: 16ths off an inch
 103 = 1 3/16"
Metric: First two digits:
 Number of millimeters



Reach us now at www.rockwellautomation.com

Rockwell Automation brings together leading brands in industrial automation, including Allen-Bradley controls, Reliance Electric motors and drives, Dodge mechanical power transmission products, and Rockwell Software.

Rockwell Automation's unique Complete Automation™ approach of helping customers achieve a competitive advantage is supported by thousands of authorized partners, distributors and system integrators around the world. For more information about Rockwell Automation products and services, point your Web browser to www.rockwellautomation.com.

Rockwell is a \$7 billion electronic controls and communications company with global leadership market positions in industrial automation, avionics and communications, and electronic commerce. The company employs 40,000 people at more than 450 locations in 80 countries.



Headquarters for Dodge and Reliance Electric Solutions

Headquarters for Allen-Bradley and Rockwell Software Solutions

Americas
 Rockwell Automation
 6040 Ponders Court
 Greenville, SC 29615-4617 USA
 Tel: (1) 864.297.4800
 Fax: (1) 864.281.2487

Europe
 Rockwell Automation
 Brühlstraße 22
 D-74832 Elztal-Dallau
 Germany
 Tel: (49) 6261 941.110
 Fax: (49) 6261 941.122

Asia Pacific
 Rockwell Automation
 55 Newton Rd.
 #11-01/02 Revenue House
 Singapore 307987
 Tel: (65) 351.6723
 Fax: (65) 355.1733

Americas
 Rockwell Automation
 1201 South Second Street
 Milwaukee, WI 53204-2496 USA
 Tel: (1) 414.382.2000
 Fax: (1) 414.382.4444

Europe
 Rockwell Automation
 SA/NV
 Avenue Herrmann Debroux, 46
 1160 Brussels, Belgium
 Tel: (32) 2 663 06 00
 Fax: (32) 2 663 06 40

Asia Pacific
 Rockwell Automation
 27/F Citicorp Centre
 18 Whitfield Road
 Causeway Bay, Hong Kong
 Tel: (852) 2887 4788
 Fax: (852) 2887 1846