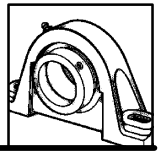
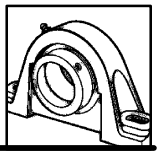


CONTENTS



Eccentric Collar Ball Bearings

Features/Benefits	B3-2
How To Order/Nomenclature	B3-4
Selection	B3-5
Selection/Dimensions	
Pillow Blocks	
SXR Normal Duty	B3-10
SXV Intermediate	B3-20
Flanges	
2-Bolt Flange	B3-32
3-Bolt Flange	B3-43
4-Bolt Flange	B3-46
Piloted Flange	B3-50
Take-Ups	
SXR Normal Duty	B3-56
SXV Intermediate	B3-62
SXT Normal Duty Hanger, Screw Conveyor Hanger & Cylindrical Units	B3-68
Inserts	
SXR Normal Duty	B3-70
SXV Intermediate Duty	B3-72
Modifications/Accessories	B3-74
Related Products	
End Closures	B3-75
Part Number Index	INDEX-I
Keyword Index	INDEX-28



FEATURES/BENEFITS

Eccentric Collar Ball Bearings

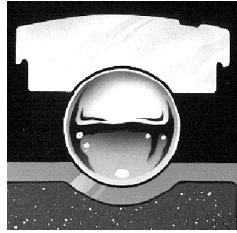
For more than 70 years, DODGE® has been talking to mounted bearing users and listening to their needs. This experience led to design of the optimum mounted ball bearings.

The result is the DODGE SXR/SXV/SLX line. It is the most current eccentric collar mounted ball bearing design on the market and provides the user unmatched quality and true total value.

The DODGE eccentric ball bearing is manufactured at the state-of-the-art DODGE bearing plant in Rogersville, Tennessee - an ISO 9002 certified plant.

- Precision-hardened inner ring
- Light Duty Narrow Inner Ring (SLX)
- Intermediate Duty Narrow Inner Ring (SXV)
- Normal-Duty Wide Inner Ring (SXR)
- Eccentric collar locking system
- DODGE PROGUARD™ land-riding, positive contact seal
- Stronger, flexible ball cage
- Simplified anti-rotation device
- Wide variety of housing configurations
- Available in 1/2" to 2-15/16", 17 to 75mm bore sizes
- SXR Seal options:
 - flingers
 - low torque labyrinth
- Other options:
 - corrosion-resistant inserts
 - FDA/USDA lubricant and other special lubricants
 - TEFLON® coated housings
 - nylon-coated housings
 - nickel-plated housings

Precision-hardened Inner Ring



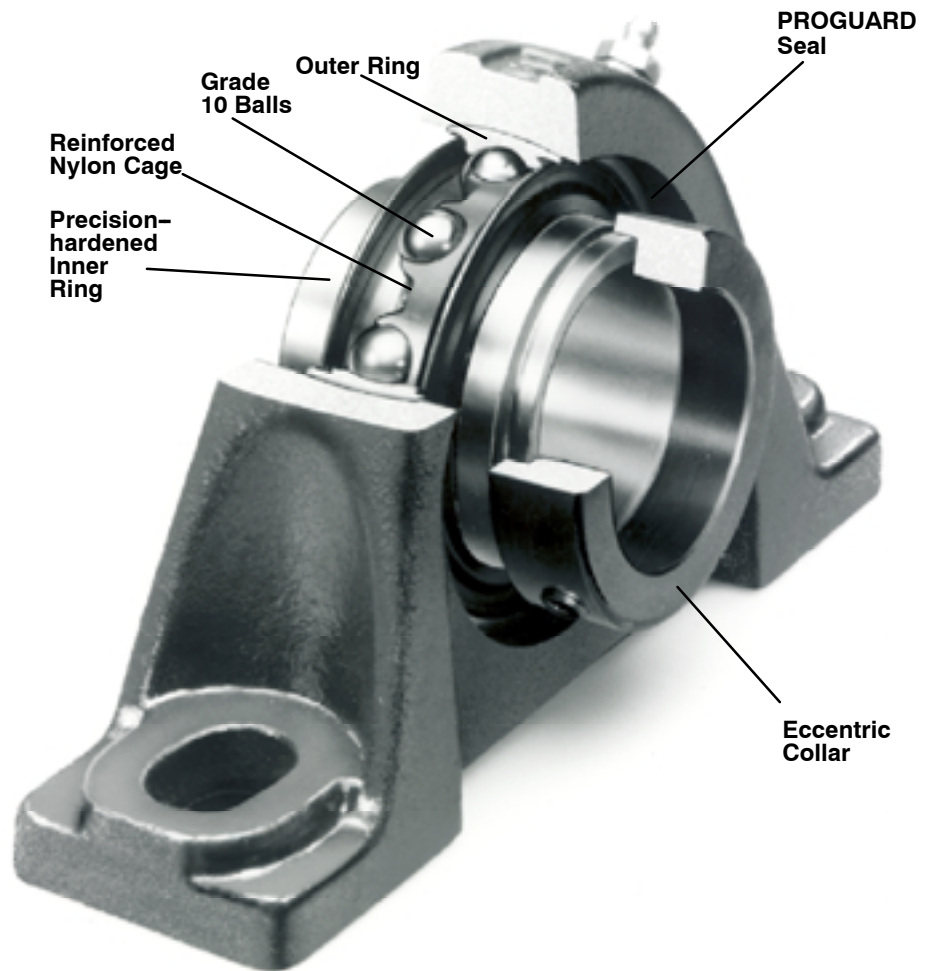
Precision-hardened inner ring: hard outer surface, ductile core

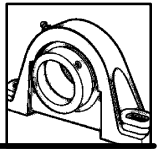
Precision-hardened inner rings resist cracking and breaking - a common cause of failure in eccentric mounted ball bearings. Precision-hardened inner ring provides superior shock load absorption in the eccentric collar area.

DODGE Self-locking Collar



The inner ring of the bearing is locked to the shaft by a quarter-turn of the eccentric collar in the direction of shaft rotation. The collar is secured in place with a single setscrew.

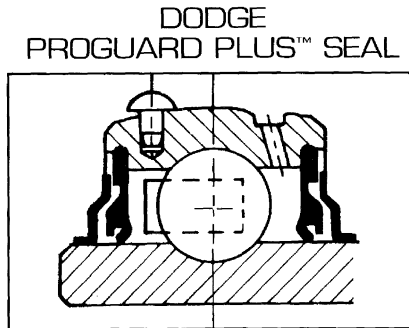




FEATURES/BENEFITS

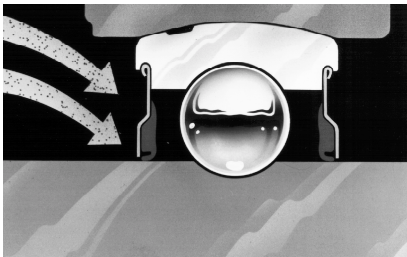
Eccentric Collar Ball Bearings

Flingers



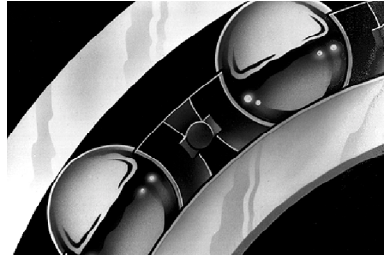
On SXR bearings, optional flingers can be added to form a tight labyrinth with the PROGUARD Seal and provide additional seal protection against contaminants and debris.

DODGE PROGUARD™ Seal



PROGUARD positive contact low drag seal DODGE SXR/SXV/SLX mounted ball bearings use the PROGUARD land-riding contact seal with steel shield protection. This highly effective, positive seal design assures uniform lip contact with the inner ring to seal out contaminants and seal in lubricants.

Stronger, Flexible Cage



Reinforced, stabilized nylon cage

The ball cage is made of heat-stabilized nylon with 33% fill short fiberglass reinforcement for added strength. The nylon material provides a natural lubricity for longer life. Fiberglass reinforcement allows higher operating temperatures than plain nylon, yet it is more resistant to fatigue than metallic cages. Short fiberglass allows greater flexibility than steel or normal fiberglass, especially under misalignment. That means longer life in mounted bearings where some degree of misalignment is unavoidably encountered.

Anti-Rotation Pin

An anti-rotation pin prevents rotation of the outer race within the housing. Simple and effective, it makes system inserts easier to replace. There is no need to remove and replace grease fittings, location pins or other devices.



Wide Variety Of Housing Configurations

DODGE provides a wide variety of durable eccentric mounted ball bearings. Housing configurations include:

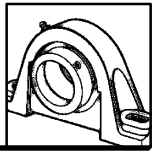
- Pillow blocks
- Flange bearings (2- and 4-bolt)
- Hanger bearings
- Cylindrical units
- Take-up bearings
- Take-up frames

In Stock Near You

The complete line of DODGE mounted ball bearings is available at your local authorized DODGE distributor. For more information, check the yellow pages for your local distributor, call (864) 297-4800 or fax (864)-281-2318.

Teflon® is a registered trademark of E.I. Du Pont.

HOW TO ORDER/ NOMENCLATURE



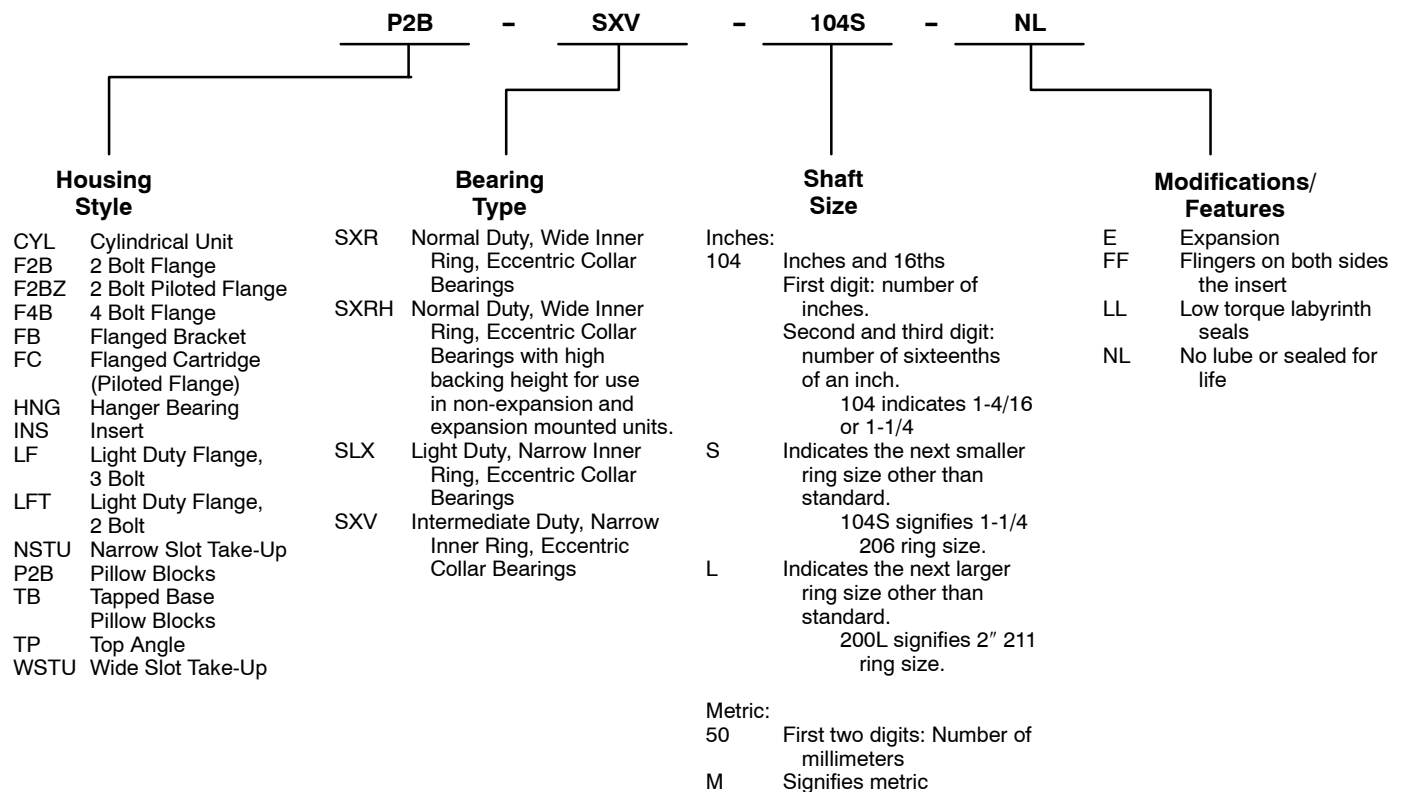
Eccentric Collar Ball Bearings - Inch

HOW TO ORDER

There are two ways to specify DODGE Bearings. Most of the product offering have part numbers with listings shown throughout this catalog. Use of part numbers ensures accurate ordering processing.

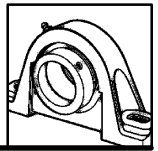
When part numbers are not shown, the product may be specified by description or part name. This method is used when ordering units that include modifications or options. To order by description, use the nomenclature key shown below and add any special instructions to the end of the description for options not covered by the nomenclature.

NOMENCLATURE



FEATURE/BENEFITS ECCENTRIC COLLAR BALL BRGS PAGE B3-2	SELECTION SETSCREW BALL BEARINGS PAGE B2-5	SELECTION D-LOK BALL BEARINGS PAGE B4-5	DIMENSIONS PAGES B3-10
---	--	---	---------------------------

SELECTION



Eccentric Collar Ball Bearings

DODGE mounted ball bearings are primarily designed for radial loading. However, they have the capacity to carry thrust loads and combined radial/thrust loads. The maximum recommended load which can be applied is limited by various components in the system, such as bearing, housing, shaft attachments, speed and life requirements. DODGE mounted ball bearings have been applied successfully when these limits have been exceeded under controlled operating conditions. Contact DODGE Engineering for applications which exceed these recommendations.

Select a bearing from the Selection Chart that has a radial load rating at the operating speed equal to or greater than the calculated Equivalent Radial load for a desired L_{10} life. This simple method is all that is required for the majority of general applications and provides for occasional average shock loads.

L_{10} Hours Life—is the life which may be expected for at least 90% of a given group of bearings operating under identical conditions.

For an L_{10} hours life other than those listed in the Selection Chart, multiply the equivalent Radial load by one of the following factors. For 50,000 L_{10} hours life, use a factor of 1.18 and for 80,000, use 1.39. Then select a bearing from the bold face (30,000) L_{10} ratings only in the Selection Chart that has a rating equal to or greater than this value.

Heavy Service—For heavy shock loads, frequent shock loads or severe vibrations, add up to 50% (according to severity of conditions) to the Equivalent Radial Load to obtain a Modified Equivalent Radial Load. Consult Application Engineering for additional selection assistance.

A thrust load value of $C/10$ is recommended as a guide for general applications and will give adequate L_{10} life. Where substantial radial load pulls the housing away from the mounting base, both the hold-down bolts and housing must be of adequate strength. Auxiliary load carrying devices, such as shear bars, are advisable for side or end-loading of pillow blocks and radial loads for flange units.

To determine the L_{10} hours life for loads and RPM's not listed use the following equation:

$$L_{10} = \left(\frac{C}{P}\right)^3 \times \frac{16667}{\text{RPM}}$$

Where:

L_{10} = Life, hours

C = Dynamic Capacity, lbs. or N

P = Equivalent Radial Load, lbs. or N

When the load on a ball bearing is solely a radial load with no thrust (axial) load, the Equivalent Radial Load (P) is equal to the actual radial load. However, when a thrust (axial) load is applied, the radial and thrust loads applied must be converted into an Equivalent Radial Load. The use of the X (radial factor) and Y (thrust factor) from Table 1 convert the actual applied thrust and radial loads to an Equivalent Radial Load which has the same effect on the life of a bearing as a radial load of this magnitude.

$$P = (X \times F_R) + (Y \times F_A)$$

Where:

P = Equivalent Radial Load, lbs.

F_R = Radial load, lbs.

F_A = Thrust load, lbs.

e = Thrust load to radial load factor (Table 1)

X = Radial load factor (Table 1)

Y = Thrust factor (Table 1)

C_0 = Basic static capacity

To find X and Y, first calculate F_A/C_0 to determine e. Calculate F_A/F_R and compare to e to determine the X and Y factors to use from Table 1.

Substitute all known values into the Equivalent Radial Load equation. The Equivalent Radial loads (P) thus determined can be used in the L_{10} life formula or compared to the allowable Equivalent Radial Load rating desired in the expanded rating chart to select a bearing (Table 2).

If calculated value of P is less than F_R , use $P=F_R$.

Table 1

$\frac{F_A}{C_0}$	e	Radial/Thrust Factors			
		If F_A/F_R is equal to or less than e		If F_A/F_R is greater than e	
		$F_A/F_R \leq e$		$F_A/F_R > e$	
		X	Y	X	Y
.014	.19	1	0	.56	2.30
.021	.21	1	0	.56	2.15
.028	.22	1	0	.56	1.99
.042	.24	1	0	.56	1.85
.056	.26	1	0	.56	1.71
.070	.27	1	0	.56	1.63
.084	.28	1	0	.56	1.55
.110	.30	1	0	.56	1.45
.170	.34	1	0	.56	1.31
.280	.38	1	0	.56	1.15
.420	.42	1	0	.56	1.04
.560	.44	1	0	.56	1.00

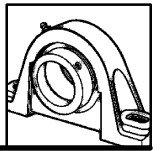
Lubrication—DODGE Ball Bearings are lubricated at the factory and are ready to run. The bearings are initially lubricated with Shell Alvania #2 and should be relubricated with the same or some equivalent. For high speeds, high loads, extreme temperatures and other abnormal operating conditions, special greases may be required. Contact DODGE Application Engineering for recommendations on these types of applications.

Misalignment—DODGE Ball Bearings are designed to allow a maximum of $\pm 2^\circ$ static misalignment. These bearings are not suitable for dynamic misalignment. To ensure good alignment, mounting surfaces must be checked for flatness and must lie in the same plane. When tightening base bolts, each bolt should be alternately tightened in incremental torque values until full torque is achieved to prevent the angular shifting of the pillow block that occurs when one bolt is tightened to its full torque. Shimming may be required to minimize misalignment.

Shaft Tolerances		
Normal Shaft Size Inches	Commercial Shaft Tolerances Inches	Recommended Shaft Tolerances Eccentric Lock Ball Bearings Inches
Up to 1-1/2"	+0.000 -0.002	+0.0000 -0.0005
Over 1-1/2" to 2-1/2"	+0.000 -0.003	+0.0000 -0.0010
Over 2-1/2" to 4"	+0.000 -0.004	+0.0000 -0.0010

MODIFICATIONS PAGE NO TAG	RELATED PRODUCTS PAGE B2-123		
------------------------------	---------------------------------	--	--

SELECTION



Eccentric Collar Ball Bearings - Inch

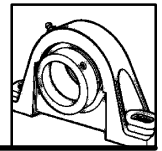
EASY SELECTION TABLE FOR BALL BEARING MOUNTED UNITS – TABLE 2

RING SIZE	SHAFT SIZE SXR, SXV, SLX	DYNAMIC CAPACITY C (lbs)	STATIC CAPACITY Co (lbs)	L10 LIFE, HOURS	ALLOWABLE EQUIVALENT RADIAL LOAD RATING (LBS.) AT VARIOUS RPM*							
					50	150	250	500	750	1000	1500	1750
203	1/2 5/8	2,158	1,000	20,000	550	380	320	255	225	205	175	170
				30,000	480	335	280	225	195	175	155	145
				40,000	440	305	255	205	175	160	140	135
				60,000	380	265	225	175	155	140	125	115
				100,000	320	225	190	150	130	120	105	100
204	3/4	2,899	1,390	20,000	740	515	435	345	300	275	240	225
				30,000	645	450	380	300	260	240	210	200
				40,000	590	410	345	275	240	215	190	180
				60,000	515	355	300	240	210	190	165	155
				100,000	435	300	255	200	175	160	140	130
205	7/8 15/16 1	3,146	1,565	20,000	805	560	470	375	325	295	260	245
				30,000	705	485	410	325	285	260	225	215
				40,000	640	445	375	295	260	235	205	195
				60,000	560	385	325	260	225	205	180	170
				100,000	470	325	275	220	190	175	150	145
206	1-1/16 1-1/8 1-3/16	4,368	2,250	20,000	1115	775	655	520	455	410	360	340
				30,000	975	675	570	455	395	360	315	300
				40,000	885	615	520	410	360	325	285	270
				60,000	775	535	455	360	315	285	250	235
				100,000	655	455	380	305	265	240	210	200
207	1-1/4 1-5/16 1-3/8 1-7/16	5,759	3,065	20,000	1475	1020	860	685	595	545	475	450
				30,000	1285	890	755	595	520	475	415	395
				40,000	1170	810	685	545	475	430	375	355
				60,000	1020	710	595	475	415	375	330	310
				100,000	860	595	505	400	350	315	275	265
208	1-1/2	7,332	4,005	20,000	1875	1300	1095	870	760	690	605	575
				30,000	1640	1135	960	760	665	605	525	500
				40,000	1490	1030	870	690	605	550	480	455
				60,000	1300	900	760	605	525	480	420	400
				100,000	1095	760	640	510	445	405	355	335
209	1-5/8 1-11/16 1-3/4	7,891	4,450	20,000	2020	1400	1180	935	820	745	650	615
				30,000	1765	1225	1030	820	715	650	570	540
				40,000	1600	1110	935	745	650	590	515	490
				60,000	1400	970	820	650	570	515	450	430
				100,000	1180	820	690	550	480	435	380	360
210	1-15/16 2	7,891	4,450	20,000	2020	1400	1180	935	820	745	650	615
				30,000	1765	1225	1030	820	715	650	570	540
				40,000	1600	1110	935	745	650	590	515	490
				60,000	1400	970	820	650	570	515	450	430
				100,000	1180	820	690	550	480	435	380	360
211	2 2-3/16	9,755	5,630	20,000	2491	1727	1457	1156	1010	918	802	761
				30,000	2176	1509	1272	1010	882	802	700	665
				40,000	1977	1371	1156	918	802	728	636	604
				60,000	1727	1197	1010	802	700	636	556	528
				100,000	1457	1010	852	676	591	537	469	445
212	2-1/4 2-7/16	11,791	6,955	20,000	3015	2090	1765	1400	1225	1110	970	925
				30,000	2635	1825	1540	1225	1070	970	880	805
				40,000	2395	1660	1400	1110	970	880	770	730
				60,000	2090	1450	1225	970	850	770	675	640
				100,000	1765	1225	1030	820	715	650	570	540
215	2-15/16	14,872	9,255	20,000	3805	2640	225	1765	1545	1400	1225	1165
				30,000	3325	2305	1945	1545	1350	1225	1070	1015
				40,000	3020	2095	1765	1400	1225	1115	975	925
				60,000	2640	1830	1545	1225	1070	975	850	805
				100,000	2225	1545	1300	1035	905	820	715	680

* Slight interference fit required when operating in the shaded area.

FEATURE/BENEFITS ECCENTRIC COLLAR BALL BRGS PAGE B3-2	HOW TO ORDER/ NOMENCLATURE PAGE B3-4	SELECTION SETSCREW BALL BEARINGS PAGE B2-5	SELECTION D-LOK BALL BEARINGS PAGE B4-5
---	--	--	---

SELECTION



Eccentric Collar Ball Bearings - Inch

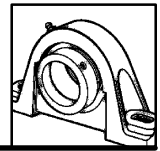
EASY SELECTION TABLE FOR BALL BEARING MOUNTED UNITS (CON'T) – TABLE 2

RING SIZE	SHAFT SIZE SXR, SXV, SLX	DYNAMIC CAPACITY C (lbs)	STATIC CAPACITY Co (lbs)	L10 LIFE, HOURS	ALLOWABLE EQUIVALENT RADIAL LOAD RATING (LBS.) AT VARIOUS RPM*									
					2000	2500	3000	3500	4000	4500	5000	5500	6500	7500
203	1/2 5/8	2,158	1,000	20,000	160	150	140	135	130	125	120	115	110	105
				30,000	140	130	125	115	110	105	100	95	90	
				40,000	130	120	110	105	100	95	90	85	80	
				60,000	110	105	95	95	90	85	80	80	75	70
				100,000	95	85	80	80	75	70	70	65	65	60
204	3/4	2,899	1,390	20,000	215	200	190	180	170	165	160	155	145	140
				30,000	190	175	165	155	150	145	140	135	130	120
				40,000	170	160	150	145	135	130	125	125	115	110
				60,000	150	140	130	125	120	115	110	105	100	95
				100,000	125	115	110	105	100	90	95	90	85	80
205	7/8 15/16 1	3,146	1,565	20,000	235	220	205	195	185	180	175	170	160	150
				30,000	205	190	180	170	165	155	150	145	140	130
				40,000	185	175	165	155	150	140	135	135	125	120
				60,000	165	150	140	135	130	125	120	115	110	105
				100,000	135	125	120	115	110	105	100	100	95	90
206	1-1/16 1-1/8 1-3/16	4,368	2,250	20,000	325	305	285	270	260	250	240	235	220	
				30,000	285	265	250	235	225	220	210	205	195	
				40,000	260	240	225	215	205	200	190	185	175	
				60,000	225	210	200	190	180	175	165	160	155	
				100,000	190	175	165	160	150	145	140	135	130	
207	1-1/4 1-5/16 1-3/8 1-7/16	5,759	3,065	20,000	430	400	375	355	340	330	315	305		
				30,000	375	350	330	310	300	285	275	270		
				40,000	340	315	300	285	275	260	250	245		
				60,000	300	275	260	250	235	230	220	215		
				100,000	250	235	220	210	200	190	185	180		
208	1-1/2	7,332	4,005	20,000	550	510	480	455	435	420	405			
				30,000	480	445	420	400	380	365	355			
				40,000	435	405	380	360	345	330	320			
				60,000	380	355	330	315	300	290	280			
				100,000	320	300	280	265	255	245	235			
209	1-5/8 1-11/16 1-3/4	7,891	4,450	20,000	590	550	515	490	470	450	435			
				30,000	515	480	450	430	410	395	380			
				40,000	470	435	410	390	370	360	345			
				60,000	410	380	360	340	325	310	300			
				100,000	345	320	300	285	275	265	255			
210	1-15/16 2	7,891	4,450	20,000	590	550	515	490	470	450				
				30,000	515	480	450	430	410	395				
				40,000	470	435	410	390	370	360				
				60,000	410	380	360	340	325	310				
				100,000	345	320	300	285	275	265				
211	2 2-3/16	9,755	5,630	20,000	729	676	636	604	578					
				30,000	636	591	556	528	505					
				40,000	578	537	505	480	459					
				60,000	505	469	441	419	401					
				100,000	426	395	372	353	338					
212	2-1/4 2-7/16	11,791	6,955	20,000	880	820	770	730						
				30,000	770	715	675	640						
				40,000	700	650	610	580						
				60,000	610	570	535	510						
				100,000	515	480	450	430						
215	2-15/16	14,872	9,255	20,000	1115	1035	975							
				30,000	975	905	850							
				40,000	885	820	770							
				60,000	770	715	675							
				100,000	650	605	570							

* Slight interference fit required when operating to the right of the heavy line.

DIMENSIONS PAGE B3-10	RELATED PRODUCTS PAGE B2-123		
--------------------------	---------------------------------	--	--

SELECTION



1 Eccentric Collar Ball Bearings - Metric

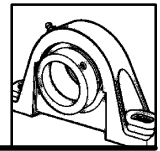
EASY SELECTION TABLE FOR BALL BEARING MOUNTED UNITS – TABLE 2

RING SIZE	SHAFT SIZE SXR, SXV, SLX	DYNAMIC CAPACITY C (N)	STATIC CAPACITY Co (N)	L10 LIFE, HOURS	ALLOWABLE EQUIVALENT RADIAL LOAD RATING (N) AT VARIOUS RPM*							
					50	150	250	500	750	1000	1500	1750
203	17mm	9,600	4,450	20,000	2446	1690	1423	1134	1001	912	778	758
				30,000	2135	1490	1245	1001	867	778	689	645
				40,000	1957	1357	1134	912	778	712	623	600
				60,000	1690	1179	1001	778	689	623	556	512
				100,000	1423	1001	845	667	578	534	467	445
204	20mm	12,895	6,185	20,000	3292	2291	1835	1535	1334	1223	1068	1001
				30,000	2869	2002	1690	1334	1156	1068	934	890
				40,000	2624	1824	1535	1223	1068	956	845	801
				60,000	2291	1579	1334	1068	934	845	734	689
				100,000	1935	1334	1134	890	778	712	623	578
205	25mm	13,995	6,964	20,000	3581	2491	2091	1668	1446	1312	1156	1090
				30,000	3136	2157	1824	1446	1268	1156	1001	956
				40,000	2847	1979	1668	1312	1156	1045	912	867
				60,000	2491	1712	1446	1156	1001	912	801	756
				100,000	2091	1446	1223	979	845	778	667	645
206	30mm	19,438	10,013	20,000	4960	3447	2913	1313	2024	1824	1601	1512
				30,000	4337	3002	2535	2024	1757	1601	1401	1334
				40,000	3936	2736	2313	1824	1601	1446	1268	1201
				60,000	3447	2380	2024	1601	1401	1268	1112	1045
				100,000	2913	2024	1690	1357	1179	1068	934	890
207	35mm	25,628	13,639	20,000	6561	4537	3825	3047	2647	2424	2113	2002
				30,000	5716	3959	3358	2647	2313	2113	1846	1757
				40,000	5204	3603	3047	2424	2113	1913	1668	1579
				60,000	4537	3158	2647	2113	1846	1668	1468	1379
				100,000	3825	2647	2246	1779	1557	1401	1223	1179
208	40mm	32,627	17,822	20,000	8340	5782	4871	3870	3380	3069	2691	2558
				30,000	7295	5048	4270	3380	2958	2691	2335	2224
				40,000	6628	4581	3870	3069	2691	2446	2135	2024
				60,000	5782	4003	3380	2691	2335	2135	1868	1779
				100,000	4871	3380	2847	2268	1979	1801	1579	1490
209	45mm	35,115	19,803	20,000	8985	6227	5249	4159	3647	3314	2891	2736
				30,000	7851	5449	4581	3647	3180	2891	2535	2402
				40,000	7117	4937	4159	3314	2891	2624	2291	2180
				60,000	6227	4315	3647	2891	2535	2291	2002	1913
				100,000	5249	3647	3069	2446	2135	1935	1690	1601
210	50mm	35,115	19,803	20,000	8985	6227	5249	4159	3647	3314	2891	2736
				30,000	7851	5449	4581	3647	3180	2891	2535	2402
				40,000	7177	4937	4159	3314	2891	2624	2291	2180
				60,000	6227	4315	3647	2891	2535	2291	2002	1913
				100,000	5249	3647	3069	2446	2135	1935	1690	1601
211	55mm	43,394	25,054	20,000	11079	7682	6479	5142	4492	4082	3566	3387
				30,000	9678	6711	5660	4492	3924	3566	3115	2959
				40,000	8793	6097	5142	4082	3566	3240	2830	2688
				60,000	7682	5326	4492	3566	3115	2830	2472	2348
				100,000	6479	4492	3789	3007	2627	2387	2085	1981
212	60mm	52,470	30,950	20,000	13411	9296	7851	6227	5449	4937	4315	4114
				30,000	11720	8118	6850	5449	4759	4315	3914	3481
				40,000	10653	7384	6227	4937	4315	3914	3425	3247
				60,000	9296	6450	5449	4315	3781	3425	3002	2847
				100,000	7851	5449	4581	3647	3180	2891	2535	2402
215	75mm	66,180	41,185	20,000	16925	11743	9897	7851	6872	6227	5449	5182
				30,000	14790	10253	8651	6872	6005	5449	4759	4515
				40,000	13433	9319	7851	6227	5449	4960	4337	4114
				60,000	11743	8140	6872	5449	4759	4337	3781	3581
				100,000	9897	6872	5782	4604	4025	3647	3180	3025

* Slight interference fit required when operating in the shaded area.

FEATURES/BENEFITS PAGE B3-2	HOW TO ORDER NOMENCLATURE PAGE B3-4	SELECTION SETSCREW BALL BEARINGS PAGE B2-5	SELECTION D-LOK BALL BEARINGS PAGE B4-5
--------------------------------	---	--	---

SELECTION



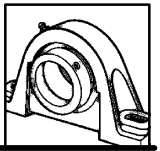
Eccentric Collar Ball Bearings - Metric

EASY SELECTION TABLE FOR BALL BEARING MOUNTED UNITS (CON'T) – TABLE 2

RING SIZE	SHAFT SIZE SXR, SXV, SLX	DYNAMIC CAPACITY C (N)	STATIC CAPACITY Co (N)	L10 LIFE, HOURS	ALLOWABLE EQUIVALENT RADIAL LOAD RATING (N) AT VARIOUS RPM*									
					2000	2500	3000	3500	4000	4500	5000	5500	6500	7500
203	17mm	9,600	4,450	20,000	712	667	623	600	578	556	534	512	489	457
				30,000	623	578	556	512	489	467	467	445	423	400
				40,000	578	534	489	467	445	423	423	400	378	358
				60,000	489	467	423	423	400	378	356	356	334	311
				100,000	423	378	356	356	334	311	311	289	289	267
204	20mm	12,895	6,185	20,000	956	890	845	801	756	734	712	689	645	623
				30,000	845	778	734	689	667	645	623	600	578	534
				40,000	756	712	667	645	600	578	556	556	512	489
				60,000	667	623	578	556	534	512	489	457	445	423
				100,000	556	512	489	467	445	400	423	400	378	356
205	25mm	13,995	6,964	20,000	1045	979	912	867	823	801	778	756	712	667
				30,000	912	845	801	756	734	689	667	645	623	578
				40,000	823	778	734	689	667	623	600	600	556	534
				60,000	734	667	623	600	578	556	534	512	489	467
				100,000	600	556	534	512	489	467	445	445	423	400
206	30mm	19,438	10,013	20,000	1446	1357	1268	1201	1156	1112	1068	1045	979	
				30,000	1268	1179	1112	1045	1001	979	934	912	867	
				40,000	1156	1068	1001	956	912	890	845	823	778	
				60,000	1001	934	890	845	801	778	734	712	689	
				100,000	845	778	734	712	667	645	623	600	578	
207	35mm	25,628	13,639	20,000	1913	1779	1668	1579	1512	1468	1401	1357		
				30,000	1668	1557	1468	1379	1334	1268	1223	1201		
				40,000	1512	1401	1334	1268	1201	1156	1112	1090		
				60,000	1334	1223	1156	1112	1045	1023	979	956		
				100,000	1112	1045	979	934	890	845	823	801		
208	40mm	32,627	17,822	20,000	2446	2268	2135	2024	1935	1868	1801			
				30,000	2135	1979	1868	1779	1680	1624	1579			
				40,000	1935	1801	1690	1601	1535	1468	1423			
				60,000	1690	1579	1468	1401	1334	1290	1245			
				100,000	1423	1334	1245	1179	1134	1090	1045			
209	45mm	35,115	19,803	20,000	2624	2446	2291	2180	2091	2002	1935			
				30,000	2291	2135	2002	1913	1824	1757	1690			
				40,000	2091	1935	1824	1735	1646	1601	1535			
				60,000	1824	1690	1601	1512	1446	1379	1334			
				100,000	1535	1423	1334	1268	1223	1179	1134			
210	50mm	35,115	19,803	20,000	2624	2446	2291	2180	2091	2002				
				30,000	2291	2135	2002	1913	1824	1757				
				40,000	2091	1935	1824	1735	1646	1601				
				60,000	1824	1690	1601	1512	1446	1379				
				100,000	1535	1423	1334	1268	1223	1179				
211	55mm	43,374	25,054	20,000	3241	3007	2830	2688	2571					
				30,000	2831	2627	2472	2348	2246					
				40,000	2572	2387	2246	2134	2041					
				60,000	2247	2085	1962	1864	1783					
				100,000	1895	1759	1655	1572	1504					
212	60mm	52,470	30,950	20,000	3914	3647	3425	3247						
				30,000	3425	3180	3002	2847						
				40,000	3114	2891	2713	2580						
				60,000	2713	2535	2380	2268						
				100,000	2291	2135	2002	1913						
215	75mm	66,180	41,185	20,000	4960	4604	4337							
				30,000	4337	4025	3781							
				40,000	3936	3647	3425							
				60,000	3425	3180	3002							
				100,000	2891	2691	2535							

* Slight interference fit required when operating on the right of the heavy line or in the shaded area.

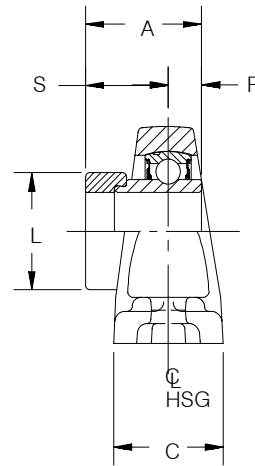
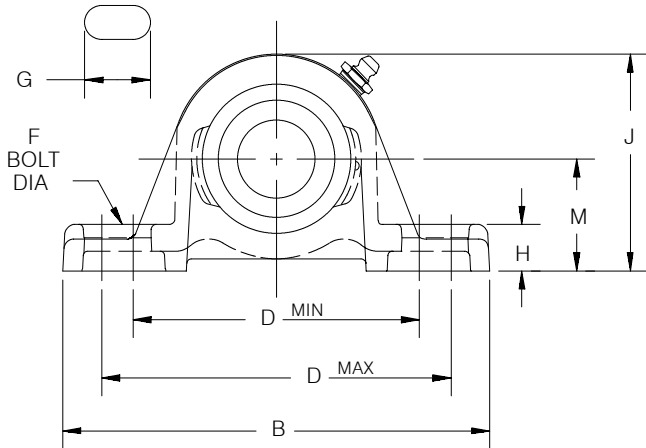
DIMENSIONS PAGES B3-10	RELATED PRODUCTS PAGE B2-123		
---------------------------	---------------------------------	--	--



SELECTION/DIMENSIONS

Eccentric Collar Ball Bearings

SXR AND SXRU NORMAL DUTY PILLOW BLOCKS

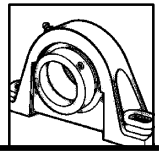


Series	Shaft Size	Part Number	Description
203	1/2	131800	P2B-SXR-008
	5/8	131801	P2B-SXR-010
203 (SXRU)	1/2	131341	P2B-SXRU-008
	5/8	131342	P2B-SXRU-010
	17mm	125655	P2B-SXRU-17M
204	3/4	131802	P2B-SXR-012
	20mm	125656	P2B-SCR-20M
205	7/8	131803	P2B-SXR-014
	15/16	131804	P2B-SXR-015
	1	131805	P2B-SXR-100
	25mm	125657	P2B-SXR-25M
206	1-1/16	131806	P2B-SXR-101
	1-1/8	131807	P2B-SXR-102
	1-3/16	131808	P2B-SXR-103
	1-1/4	@	P2B-SXR-104S
	30mm	@	P2B-SXR-30M
206 (SXRU)	1-1/16	131895	P2B-SXRU-101
	1-1/8	131896	P2B-SXRU-102
	1-3/16	131897	P2B-SXRU-103
	1-1/4	@	P2B-SXR-104S
	30mm	125658	P2B-SXR-30M
207	1-1/4	131809	P2B-SXR-104
	1-5/15	131810	P2B-SXR-105
	1*3/8	131811	P2B-SXR-106
	1-7/16	131812	P2B-SXR-107
	35MM	125659	P2B-SXR-35M

@ Assembled to order

FEATURE/BENEFITS ECCENTRIC COLLAR BALL BRGS PAGE B3-2	HOW TO ORDER/ NOMENCLATURE PAGE B3-4	SELECTION PAGE B3-5	
---	--	------------------------	--

SELECTION/DIMENSIONS



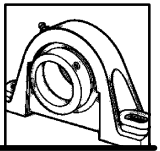
Eccentric Collar Ball Bearings

SXR AND SXRU NORMAL DUTY PILLOW BLOCKS

Series	Shaft Size	Weight lbs. kg.	A	B	C	D		F Bolt Dia.
						Min.	Max.	
203	1/2 5/8	1.2 1.0	1-1/8	5	1-7/32	3-1/4	4-1/16	3/8
203 (SXRU)	1/2 5/8 17mm	1.2 1.0	1-1/8 28.6	5 127.0	1-7/32 31.0	3-1/4 82.6	4-1/16 103.2	3/8 M10
204	3/4 20mm	1.6 0.4	1-23/32 43.7	5-1/4 133.4	1-11/32 34.1	3-3/8 85.7	4-3/16 106.4	3/8 M10
205	7/8 15/16 1 25mm	1.9 1.8 1.7 0.6	1-3/4 44.5	5-1/2 139.7	1-13/32 35.7	4-1/4 108.0	4-1/2 114.3	3/8 M12
206	1-1/16 1-1/8 1-3/16 1-1/4 30mm	2.8 2.7 2.6 2.5 1.1	1-29/32 48.4	6-1/4 158.8	1-3/4 44.5	4-1/4 108.0	5 127.0	1/2 M12
206 (SXRU)	1-1/16 1-1/8 1-3/16 1-1/4 30mm	2.9 2.8 2.7 2.6 1.2	1-29/32 48.4	6-1/4 158.8	1-3/4 44.5	4-1/4 108.0	5 127.0	1/2 M12
207	1-1/4 1-5/15 1*3/8 1-7/16 35MM	4.6 4.5 4.4 4.3 1.9	2-1/64 51.2	6-1/2 165.1	1-3/4 44.5	4-11-16 119.1	5-7/16 138.1	1/2 M12

Series	Shaft Size	G	H	J	L	M	R	S
203	1/2 5/8	27/32	15/32	2-5/32	1-1/8	1-1/16	0.256	0.869
203 (SXRU)	1/2 5/8 17mm	27/32 21.4	19/32 15.1	2-9/32 57.9	1-1/8 28.6	1-3/16 30.2	0.256 6.5	0.869 22.1
204	3/4 20mm	27/32 21.4	17/32 13.5	2-9/16 65.1	1-5/16 33.2	1-5/16 33.3	43/64 17.1	1-3/64 26.6
205	7/8 15/16 1 25mm	27/32 21.4	19/32 15.1	2-25/32 70.6	1-1/2 38.1	1-7/16 36.5	11/16 17.5	1-1/16 27.0
206	1-1/16 1-1/8 1-3/16 1-1/4 30mm	15/16 23.8	11/16 17.5	3-1/4 82.6	1-3/4 44.5	1-5/8 41.3	23/32 18.3	1-3/16 30.2
206 (SXRU)	1-1/16 1-1/8 1-3/16 1-1/4 30mm	15/16 23.8	3/4 19.1	3-5/16 84.1	1-3/4 44.5	1-11/16 42.9	23/32 18.3	1-3/16 30.2
207	1-1/4 1-5/16 1-3/8 1-7/16 35mm	15/16 23.8	23/32 18.3	3-3/4 95.3	2-1/8 54.0	1-7/8 47.6	0.742 18.8	1.274 32.4

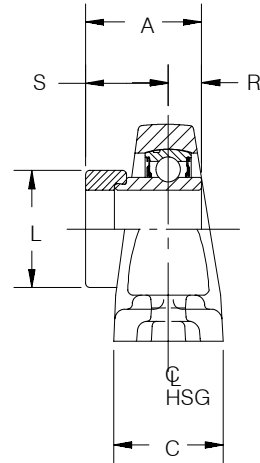
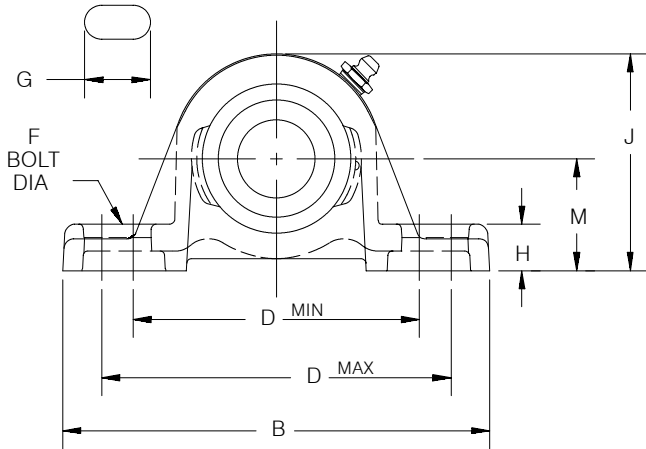
DIMENSIONS SXR INSERTS PAGE B3-70	MODIFICATIONS PAGE B3-74	RELATED PRODUCTS PAGE B3-75	
---	-----------------------------	--------------------------------	--



SELECTION/DIMENSIONS

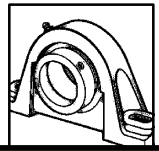
Eccentric Collar Ball Bearings

SXR AND SXRU NORMAL DUTY PILLOW BLOCKS



Series	Shaft Size	Part Number	Description
208	1-1/2	131813	P2B-SXR-108
	40mm	125660	P2B-SXR-40M
209	1-5/8	131814	P2B-SXR-110
	1-11/16	131815	P2B-SXR-111
	1-3/4	131816	P2B-SXR-112
	45mm	125661	P2B-SXR-45M
210	1-15/16	131817	P2B-SXR-115
	2	131818	P2B-SXR-200
	50mm	125662	P2B-SXR-50M
211	2	131339	P2B-SXR-200L
	2-3/16	131819	P2B-SXR-203
	55mm	125663	P2B-SXR-55M
212	2-1/4	131820	P2B-SXR-204
	2-7/16	131821	P2B-SXR-207
	60mm	125664	P2B-SXR-60M
215	2-15/16	131432	P2B-SXR-215
215 (SXRU)	2-15/16	131433	P2B-SXRU-215
	75mm	125665	P2B0SXRU-75M

SELECTION/DIMENSIONS



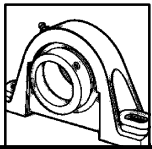
Eccentric Collar Ball Bearings

SXR AND SXRU NORMAL DUTY PILLOW BLOCKS

Series	Shaft Size	Weight lbs. kg.	A	B	C	D		F Bolt Dia.
						Min.	Max.	
208	1-1/2	5.3	2-7/32	7-1/4	1-15/16	5-3/16	5-7/8	1/2
	40mm	2.2	56.4	184.2	49.2	131.8	149.2	M12
209	1-5/8	6.6	2-7/32	7-7/16	2	5-1/2	6-3/8	1/2
	1-11/16	6.5						
	1-3/4	6.4						
	45mm	2.8	56.4	188.9	50.8	139.7	161.9	M12
210	1-15/16	7.4	2-15/32	8-1/8	2-1/4	6	6-11/16	5/8
	2	7.2						
	50mm	3.2	62.7	206.4	57.2	152.4	169.9	M16
211	2	9.8	2-13/16	8-7/8	2-5/16	6-3/8	7-7/16	5/8
	2-3/16	9.3						
	55mm	4.1	71.4	225.4	58.7	161.9	188.9	M16
212	2-1/4	11.6	3-1/16	9-1/2	2-3/8	6-7/8	7-15/16	5/8
	2-7/16	11.0						
	60mm	5.0	77.8	241.3	60.3	174.6	201.6	M16
215	2-15/16	21.0	6-5/8	11-3/4	2-7/8	8-1/2	9-1/2	7/8
215 (SXRU)	2-15/16	21.0	6-5/8	11-3/4	2-7/8	8-1/2	9-1/2	7/8
	75mm	9.3	168.3	298.5	73.0	215.9	241.3	M22

Series	Shaft Size	G	H	J	L	M	R	S
208	1-1/2	29/32	15/16	4-3/16	2-3/8	2-1/8	27/32	1-3/8
	40mm	23.0	19.1	101.6	60.3	49.2	21.4	34.9
209	1-5/8	29/32	3/4	4-9/32	2-1/2	2-1/8	27/32	1-3/8
	1-11/16							
	1-3/4							
	45mm	23.0	19.1	108.7	64.1	54.0	21.4	34.9
210	1-15/16	1-1/32	3/4	4-17/32	2-3/4	2-1/4	31/32	1-1/2
	2							
	50mm	26.2	19.1	115.1	69.9	57.2	24.6	38.1
211	2	1-7/32	7/8	4-31/32	3	2-1/2	1-3/32	1-23/32
	2-3/16							
	55mm	31.0	22.2	126.2	76.2	63.5	27.8	43.7
212	2-1/4	1-7/32	7/8	5-13/32	3-5/16	2-3/4	1-7/32	1-27/32
	2-7/16							
	60mm	31.0	22.2	137.3	84.1	69.9	31.0	46.8
215	2-15/16	1-5/16	15/16	6-3/4	4	3	4-15/32	2-5/32
		33.3	23.8	154.8	101.6	76.2	113.5	54.8
215 (SXRU)	2-15/16	1-7/16	1	6-1/2	4	3-1/2	4-15/32	2-5/32
	75mm	36.5	25.4	171.5	101.6	88.9	113.5	54.8

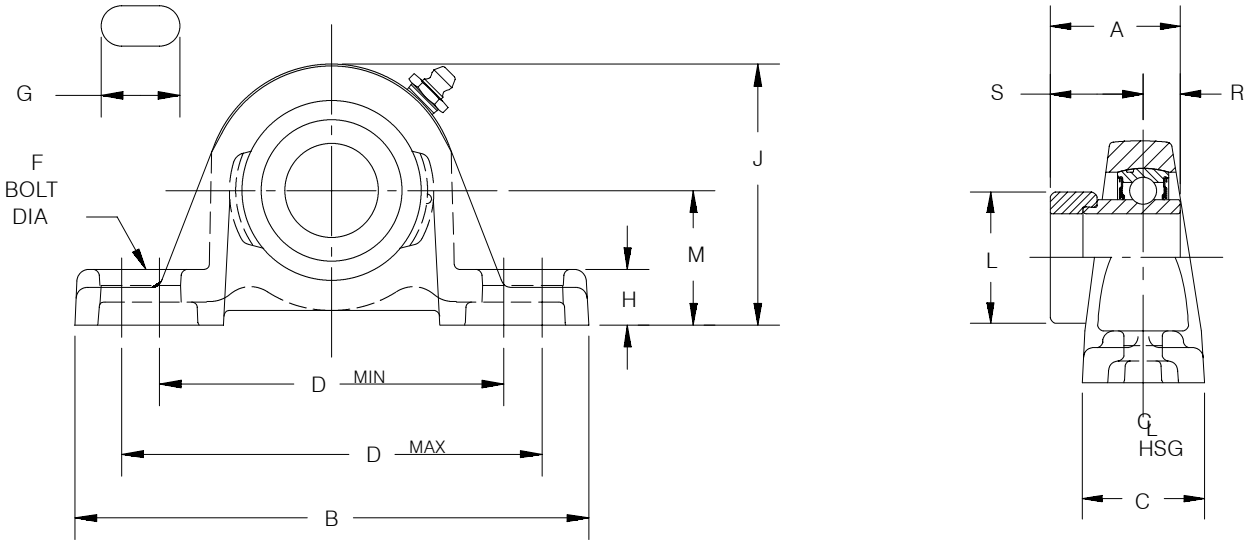
DIMENSIONS SXR INSERTS PAGE B3-70	MODIFICATIONS PAGE B3-74	RELATED PRODUCTS PAGE B3-75	
---	-----------------------------	--------------------------------	--



SELECTION/DIMENSIONS

Eccentric Collar Ball Bearings

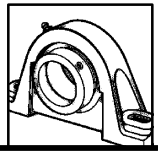
SXRB NORMAL DUTY PILLOW BLOCKS



Series	Shaft Size	Part Number	Description
203 (SXR)	1/2	131800	P2B-SXR-008
	5/8	131801	P2B-SXR-010
204	3/4	131830	P2B-SXRB-012
205	7/8	131831	P2B-SXRB-014
	15/16	131832	P2B-SXRB-015
	1	131833	P2B-SXRB-100
206	1-1/16	131834	P2B-SXRB-101
	1-1/8	131835	P2B-SXRB-102
	1-3/16	131836	P2B-SXRB-103
	1-1/4	@	P2B-SXRB-104S
207	1-1/4	131837	P2B-SXRB-104
	1-5/16	131838	P2B-SXRB-105
	1-3/8	131839	P2B-SXRB-106
	1-7/16	131840	P2B-SXRB-107

@ Assembled to order

SELECTION/DIMENSIONS



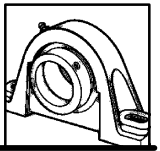
Eccentric Collar Ball Bearings

SXRB NORMAL DUTY PILLOW BLOCKS

Series	Shaft Size	Weight lbs.	A	B	C	D		F Bolt Dia.
						Min.	Max.	
203 (SXR)	1/2	1.2	1-1/8	5	1-7/32	3-1/4	4-1/16	3/8
	5/8	1.0						
204	3/4	1.5	1-23/32	5-1/4	1-11/32	3-3/8	4-3/16	3/8
205	7/8	1.8	1-3/4	5-1/2	1-13/32	4-1/4	4-1/2	3/8
	15/16	1.7						
	1	1.6						
206	1-1/16	2.7	1-29/32	6-1/4	1-3/4	4-1/4	5	1/2
	1-1/8	2.6						
	1-3/16	2.5						
	1-1/4	2.4						
207	1-1/4	4.4	2-1/64	6-1/2	1-3/4	4-11/16	5-7/16	1/2
	1-5/16	4.3						
	1-3/8	4.2						
	1-7/16	4.1						

Series	Shaft Size	G	H	J	L	M	R	S
203 (SXR)	1/2	27/32	15/32	2-5/32	1-1/8	1-1/16	0.256	0.869
	5/8							
204	3/4	27/32	15/32	2-1/2	1-5/16	1-1/4	43/64	1-3/64
205	7/8	27/32	15/32	2-21/32	1-1/2	1-5/16	11/16	1-1/16
	15/16							
	1							
206	1-1/16	15/16	5/8	3-3/16	1-3/4	1-9/16	23/32	1-3/16
	1-1/8							
	1-3/16							
	1-1/4							
207	1-1/4	15/16	21/32	3-11/16	2-1/8	1-13/16	0.742	1.274
	1-5/16							
	1-3/8							
	1-7/16							

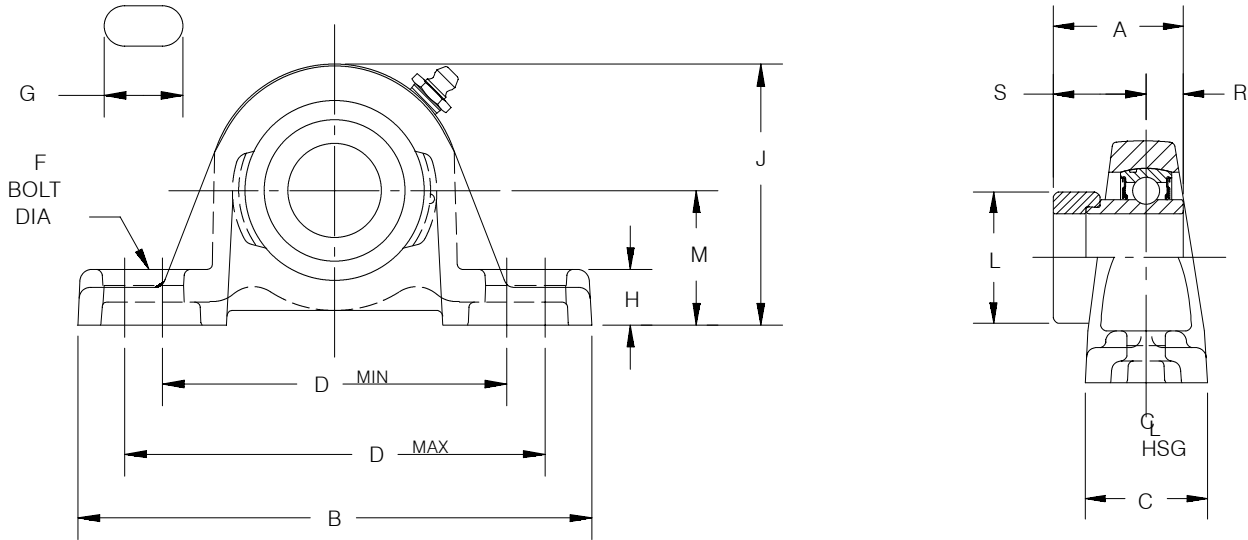
DIMENSIONS SXR INSERTS PAGE B3-70	MODIFICATIONS PAGE B3-74	RELATED PRODUCTS PAGE B3-75	
---	-----------------------------	--------------------------------	--



SELECTION/DIMENSIONS

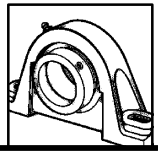
Eccentric Collar Ball Bearings

SXRB NORMAL DUTY PILLOW BLOCKS



Series	Shaft Size	Part Number	Description
208	1-1/2	131841	P2B-SXRB-108
	40mm	125660	P2B-SXRB-40M
209	1-5/8	131842	P2B-SXRB-110
	1-11/16	131843	P2B-SXRB-111
	1-3/4	131844	P2B-SXRB-112
210	1-15/16	131845	P2B-SXRB-115
	2	131846	P2B-SXRB-200
211	2	131340	P2B-SXRB-200L
	2-3/16	131847	P2B-SXRB-203
212	2-1/4	131848	P2B-SXRB-204
	2-7/16	131849	P2B-SXRB-207
215	2-15/16	131434	P2B-SXRB-215

SELECTION/DIMENSIONS



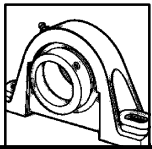
Eccentric Collar Ball Bearings

SXRB NORMAL DUTY PILLOW BLOCKS

Series	Shaft Size	Weight lbs gm	A	B	C	D		F Bolt Dia.
						Min.	Max.	
208	1-1/2 40mm	5.0 2.2	2-7/32 56.4	7-1/4 184.2	1-15/16 49.2	5-3/16 131.8	5-7/8 149.2	1/2 M12
209	1-5/8 1-11/16 1-3/4	6.4 6.3 6.2	2-7/32	7-7/16	2	5-1/2	6-3/16	5/8
210	1-15/16 2	7.2 7.0	2-15/32	8-1/8	2-1/4	6	6-11/16	5/8
211	2 2-3/16	9.5 9.0	2-13/16	8-7/8	2-5/16	6-3/8	7-7/16	5/8
212	2-1/4 2-7/16	11.4 10.4	3-1/16	9-1/2	2-3/8	6-7/8	7-15/16	5/8
215	2-15/16	21.0	6-5/8	10-3/4	2-11/16	7-1/2	8-1/2	3/4

Series	Shaft Size	G	H	J	L	M	R	S
208	1-1/2 40mm	29/32 23.0	3/4 19.1	4 101.6	2-3/8 60.3	1-15/16 49.2	27/32 21.4	1-3/8 34.9
209	1-5/8 1-11/16 1-3/4	29/32	11/16	4-7/32	2-1/2	2-1/16	27/32	1-3/8
210	1-15/16 2	1-1/32	11/16	4-15/32	2-3/4	2-3/16	31/32	1-1/2
211	2 2-3/16	1-7/32	13/16	4-29/32	3	2-7/16	1-3/32	1-23/32
212	2-1/4 2-7/16	1-7/32	13/16	5-11/32	3-5/16	2-11/16	1-7/32	1-27/32
215	2-15/16	1-7/16	1-1/16	6-9/16	4	3-5/16	4-15/32	2-5/32

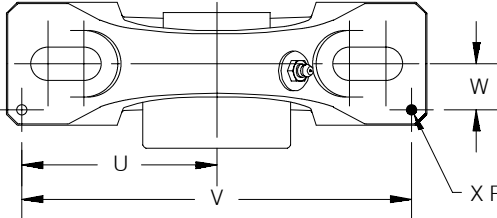
DIMENSIONS SXR INSERTS PAGE B3-70	MODIFICATIONS PAGE B3-74	RELATED PRODUCTS PAGE B3-75	
---	-----------------------------	--------------------------------	--



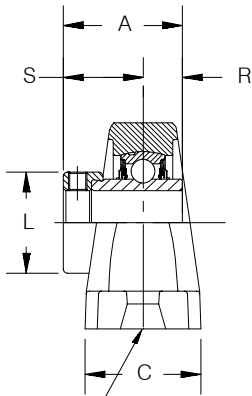
SELECTION/DIMENSIONS

Eccentric Collar Ball Bearings

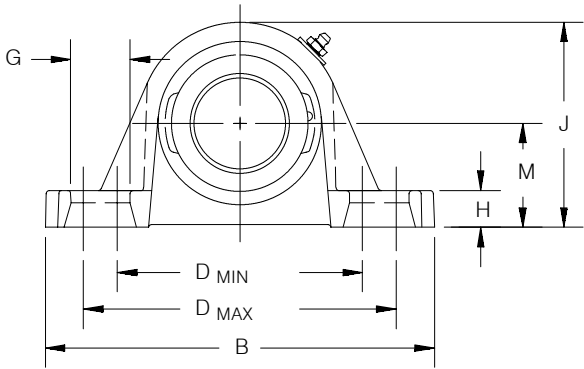
SXRH NON EXPANSION NORMAL DUTY PILLOW BLOCKS



X RECOMMENDED DOWEL SIZE

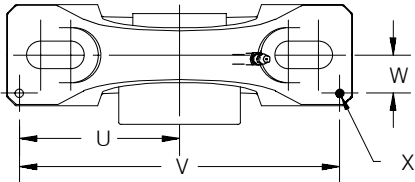


F BOLT

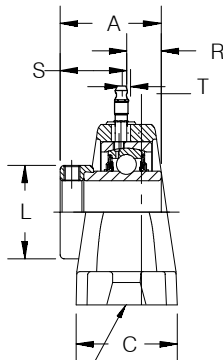


SXRH-E EXPANSION NORMAL DUTY PILLOW BLOCKS

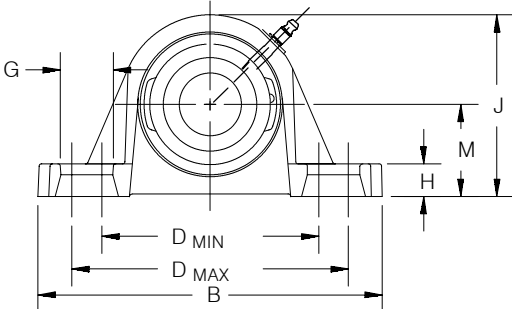
PATENT NUMBER 5536090



X RECOMMENDED DOWEL SIZE

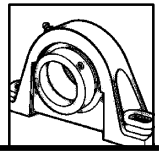


F BOLT



FEATURE/BENEFITS ECCENTRIC COLLAR BALL BRGS PAGE B3-2	HOW TO ORDER/ NOMENCLATURE PAGE B3-4	SELECTION PAGE B3-5	
---	--	------------------------	--

SELECTION/DIMENSIONS



Eccentric Collar Ball Bearings

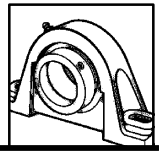
SXRH-E EXPANSION AND SXRH NON-EXPANSION NORMAL DUTY PILLOW BLOCKS

Series	Shaft Size	Expansion Pillow Blocks		Non Expansion Pillow Blocks		Weight lbs kg.	A	B	C	D	
		Part Number	Description	Part Number	Description					min	max.
206	1-1/16	@	P2B-SXRH-101-E	@	P2B-SXRH-101	5.4	1-29/32	6-9/16	1-7/8	4-11/16	5-5/16
	1-1/8	@	P2B-SXRH-102-E	@	P2B-SXRH-102	5.3					
	1-3/16	126415	P2B-SXRH-103-E	126410	P2B-SXRH-103	5.2					
	1-1/4	@	P2B-SXRH-104S-E	@	P2B-SXRH-104S	5.1					
	30mm	@	P2B-SXRH-30M-E	@	P2B-SXRH-30M	2.3					
207	1-1/4	@	P2B-SXRH-104-E	@	P2B-SXRH-104	7.5	2-1/64	7-1/4	2-1/8	5-1/4	5-7/8
	1-5/16	@	P2B-SXRH-105-E	@	P2B-SXRH-105	7.4					
	1-3/8	@	P2B-SXRH-106-E	@	P2B-SXRH-106	7.3					
	1-7/16	126416	P2B-SXRH-107-E	126411	P2B-SXRH-107	7.2					
	35mm	@	P2B-SXRH-35M-E	@	P2B-SXRH-35M	3.3					
209	1-5/8	@	P2B-SXRH-110-E	@	P2B-SXRH-110	9.3	2-7/32	8-1/8	2-3/8	6	6-1/2
	1-11/16	@	P2B-SXRH-111-E	@	P2B-SXRH-111	9.2					
	1-3/4	@	P2B-SXRH-112-E	@	P2B-SXRH-112	9.1					
	45mm	@	P2B-SXRH-45M-E	@	P2B-SXRH-45M	4.1					
210	1-15/16	126417	P2B-SXRH-115-E	126412	P2B-SXRH-115	11.1	2-15/32	8-5/8	2-3/8	6-3/8	7-1/4
	2	@	P2B-SXRH-200-E	@	P2B-SXRH-200	11.0					
	50mm	@	P2B-SXRH-50M-E	@	P2B-SXRH-50M	5.0					
211	2	@	P2B-SXRH-200L-E	@	P2B-SXRH-200L	16.4	2-13/16	9-1/2	2-3/4	6-7/8	7-7/8
	2-3/16	126418	P2B-SXRH-203-E	126413	P2B-SXRH-203	16.3					
	55mm	@	P2B-SXRH-55M-E	@	P2B-SXRH-55M	7.4					
212	2-1/4	@	P2B-SXRH-204-E	@	P2B-SXRH-204	21.5	3-1/16	11-1/4	2-7/8	7-1/2	8-7/8
	2-7/16	126419	P2B-SXRH-207-E	126414	P2B-SXRH-207	21.4					
	60mm	@	P2B-SXRH-60M-E	@	P2B-SXRH-60M	9.7					

@ Assembled to order

Series	Shaft Size	F Bolt Dia.	G	H	J	L	M	R	S	T Total Expansion	U	V	W	X
206	1-1/16	1/2	7/8	11/16	3-13/16	1-3/4	1-7/8	23/32	1-3/16	3/16	2-29/32	5-13/16	9/16	3/16
	1-1/8													
	1-3/16													
	30mm	M12	22.2	17.5	96.8	44.5	47.6	18.3	30.2	4.8	73.8	147.6	14.3	4.8
207	1-1/4	1/2	7/8	11/16	3-15/16	1-3/4	1-15/16	23/32	1-3/16	3/16	3-17/64	6-17/32	11/16	3/16
	1-5/16													
	1-3/8													
	35mm	M12	22.2	17.5	100.0	44.5	49.2	18.3	30.2	4.8	82.9	165.9	17.5	4.8
209	1-5/8	5/8	15/16	3/4	4-9/16	2-1/2	2-1/4	27/32	1-3/8	1/4	3-11/16	7-3/8	13/16	3/16
	1-11/16													
	1-3/4													
	45mm	M12	23.8	19.1	115.9	64.1	57.2	21.4	34.9	6.4	93.7	187.3	20.6	4.8
210	1-15/16	5/8	1-1/8	13/16	5-1/16	2-3/4	2-1/2	31/32	1-1/2	1/4	3-15/16	7-7/8	13/16	3/16
	2													
	50mm	M16	28.6	20.6	128.6	69.9	63.5	24.6	38.1	6.4	100.0	200.0	20.6	4.8
211	2	5/8	1-3/16	1	5-5/8	3	2-3/4	1-3/32	1-23/32	1/4	4-1/4	8-1/2	7/8	3/16
	55mm	M16	30.2	25.4	142.9	76.2	69.9	27.8	43.7	6.4	108.0	215.9	22.2	4.8
212	2-1/4	3/4	1-1/2	1-1/16	6-1/4	3-5/16	3	1-7/32	1-27/32	1/4	4-7/8	9-3/4	15/16	3/16
	60mm	M16	38.1	27.0	158.8	84.1	76.2	31.0	46.8	6.4	123.8	247.7	23.8	4.8

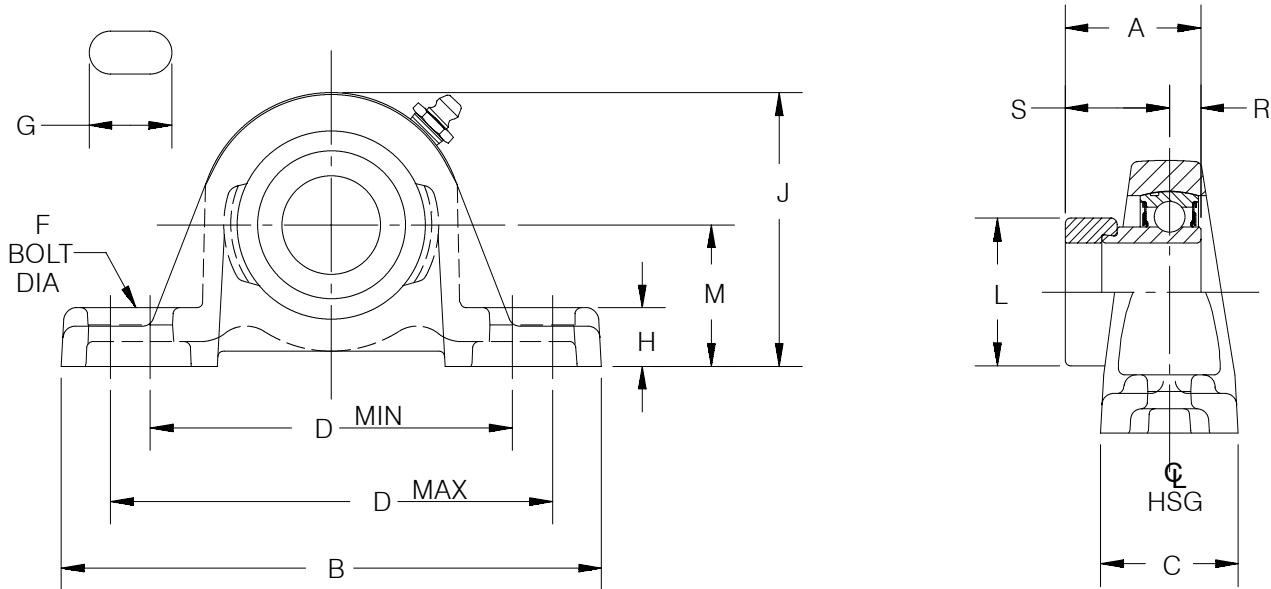
MODIFICATIONS PAGE B3-74	RELATED PRODUCTS PAGE B3-75		
-----------------------------	--------------------------------	--	--



SELECTION/DIMENSIONS

Eccentric Collar Ball Bearings

SXV AND SXVU INTERMEDIATE DUTY PILLOW BLOCKS

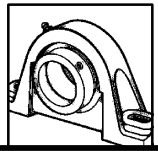


Series	Shaft Size	Part Number	Relube		No-Lube/Sealed For life (-NL)	
			Description	Part Number	Description	
203	1/2 5/8	130310	P2B-SXV-008	130276	P2B-SXV-008-NL	
		130311	P2B-SXV-010	@	P2B-SXV-010-NL	
203 (SXVU)	1/2 5/8 17mm	130324	P2B-SXVU-008	@	P2B-SXVU-008-NL	
		130325	P2B-SXVU-010	@	P2B-SXVU-010-NL	
		125711	P2B-SXVU-17M	@	P2B-SXVU-17M-NL	
204	3/4 20mm	131970	P2B-SXV-012	131589	P2B-SXV-012-NL	
		125712	P2B-SXV-20M	@	P2B-SXV-20M-NL	
205	7/8 15/16 1 25mm	131971	P2B-SXV-014	053047	P2B-SXV-014-NL	
		131972	P2B-SXV-015	@	P2B-SXV-015-NL	
		131973	P2B-SXV-100	131996	P2B-SXV-100-NL	
		125713	P2B-SXV-25M	@	P2B-SXV-25M-NL	
206	1-1/16 1-1/8 1-3/16 1-1/4	131974	P2B-SXV-101	@	P2B-SXV-101-NL	
		131975	P2B-SXV-102	@	P2B-SXV-102-NL	
		131976	P2B-SXV-103	@	P2B-SXV-103-NL	
		131977	P2B-SXV-104S	@	P2B-SXV-104S-NL	
206 (SXVU)	1-1/16 1-1/8 1-3/16 1-1/4 30mm	131082	P2B-SXVU-101	@	P2B-SXVU-101-NL	
		131083	P2B-SXVU-102	@	P2B-SXVU-102-NL	
		131084	P2B-SXVU-103	053008	P2B-SXVU-103-NL	
		131085	P2B-SXVU-104S	053042	P2B-SXVU-104S-NL	
		125714	P2B-SXVU-30M	@	P2B-SXVU-30M-NL	
207	1-1/4 1-5/16 1-3/8 1-7/16 35mm	131978	P2B-SXV-104	@	P2B-SXV-104-NL	
		131979	P2B-SXV-105	@	P2B-SXV-105-NL	
		131980	P2B-SXV-106	@	P2B-SXV-106-NL	
		131981	P2B-SXV-107	058275	P2B-SXV-107-NL	
		125715	P2B-SXV-35M	@	P2B-SXV-35M-NL	
208	1-1/2 40mm	131982	P2B-SXV-108	@	P2B-SXV-108-NL	
		125716	P2B-SXV-40M			
209	1-11/16 1-3/4 45mm	130312	P2B-SXV-111	@	P2B-SXV-111-NL	
		130313	P2B-SXV-112	@	P2B-SXV-112-NL	
		125717	P2B-SXV-45M	@	P2B-SXV-45M-NL	
210	1-15/16 2 50mm	130314	P2B-SXV-115	@	P2B-SXV-115-NL	
		130315	P2B-SXV-200	@	P2B-SXV-200-NL	
		125718	P2B-SXV-50M	@	P2B-SXV-50-NL	
211	2 2-3/16 55mm	130316	P2B-SXV-200L	@	P2B-SXV-200L-NL	
		130317	P2B-SXV-203	@	P2B-SXV-203-NL	
		125719	P2B-SXV-55M	@	P2B-SXV-55M-NL	

@ Assembled to order

FEATURE/BENEFITS ECCENTRIC COLLAR BALL BRGS PAGE B3-2	HOW TO ORDER/ NOMENCLATURE PAGE B3-4	SELECTION PAGE B3-5	DIMENSIONS SXV INSERTS PAGE B3-70
---	--	------------------------	---

SELECTION/DIMENSIONS

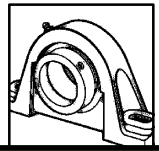


Eccentric Collar Ball Bearings

SXV AND SXVU INTERMEDIATE DUTY PILLOW BLOCKS

Series	Shaft Size	Weight lbs. kg.	A	B	C	D		F Bolt Dia.
						Min.	Max.	
203	1/2 5/8	1.2 1.1	1-1/8	5	1-7/32	3-1/4	4-1/16	3/8
203 (SXVU)	1/2 5/8 17mm	1.4 1.2 0.6	1-1/8 28.6	5 127.0	1-7/32 31.0	3-1/4 82.6	4-1/16 103.2	3/8 M10
204	3/4 20mm	1.4 0.6	1-7/32 31.0	5-1/4 133.4	1-11/32 34.1	3-3/8 85.7	4-3/16 106.4	3/8 M10
205	7/8 15/16 1 25mm	1.9 1.8 1.7 0.8	1-7/32 31.0	5-1/2 139.7	1-13/32 35.7	4-1/4 108.0	4-1/2 114.3	3/8 M10
206	1-1/16 1-1/8 1-3/16 1-1/4	2.9 2.8 2.7 2.6	1-13/32	6-1/4	1-3/4	4-1/4	5	1/2
206 (SXVU)	1-1/16 1-1/8 1-3/16 1-1/4 30mm	3.0 2.9 2.8 2.7 1.2	1-13/32 35.7	6-1/4 158.8	1-3/4 44.5	4-1/4 108.0	5 127.0	1/2 M12
207	1-1/4 1-5/16 1-3/8 1-7/16 35mm	4.4 4.3 4.3 4.2 1.9	1-17/32 38.9	6-1/2 165.1	1-3/4 44.5	4-11/16 119.1	5-7/16 138.1	1/2 M12
208	1-1/2 40mm	5.0 2.2	1-23/32 43.7	7-1/4 184.2	1-15/16 49.2	5-3/16 131.8	5-7/8 149.2	1/2 M12
209	1-11/16 1-3/4 45mm	5.5 5.4 2.5	1-23/32 43.7	7-7/16 188.9	2 50.8	5-1/2 139.7	6-3/8 161.9	1/2 M12
210	1-15/16 2 50mm	5.8 5.7 2.6	1-23/32 43.7	8-1/8 206.4	2-1/4 57.2	6 152.4	6-11/16 169.9	5/8 M16
211	2 2-3/16 55mm	7.9 7.6 3.5	1-29/32 48.4	8-7/8 225.4	2-5/16 58.7	6-3/8 161.9	7-7/16 188.9	5/8 M16

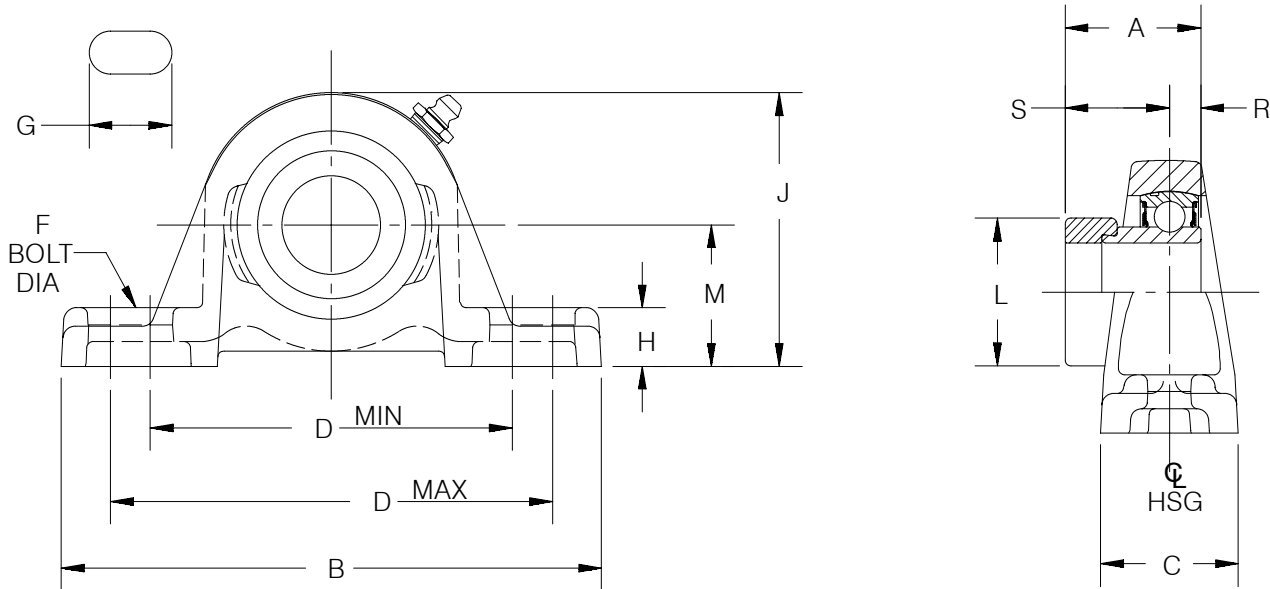
MODIFICATIONS PAGE B3-74	RELATED PRODUCTS PAGE B3-75		
-----------------------------	--------------------------------	--	--



SELECTION/DIMENSIONS

Eccentric Collar Ball Bearings

SXV AND SXVU INTERMEDIATE DUTY PILLOW BLOCKS

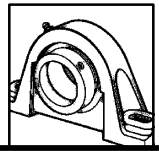


Series	Shaft Size	Part Number	Relube		No-Lube/Sealed For life (-NL)	
			Description	Part Number	Description	
203	1/2 5/8	130310	P2B-SXV-008	130276	P2B-SXV-008-NL	
		130311	P2B-SXV-010	@	P2B-SXV-010-NL	
203 (SXVU)	1/2 5/8 17mm	130324	P2B-SXVU-008	@	P2B-SXVU-008-NL	
		130325	P2B-SXVU-010	@	P2B-SXVU-010-NL	
		125711	P2B-SXVU-17M	@	P2B-SXVU-17M-NL	
204	3/4 20mm	131970	P2B-SXV-012	131589	P2B-SXV-012-NL	
		125712	P2B-SXV-20M	@	P2B-SXV-20M-NL	
205	7/8 15/16 1 25mm	131971	P2B-SXV-014	053047	P2B-SXV-014-NL	
		131972	P2B-SXV-015	@	P2B-SXV-015-NL	
		131973	P2B-SXV-100	131996	P2B-SXV-100-NL	
		125713	P2B-SXV-25M	@	P2B-SXV-25M-NL	
206	1-1/16 1-1/8 1-3/16 1-1/4	131974	P2B-SXV-101	@	P2B-SXV-101-NL	
		131975	P2B-SXV-102	@	P2B-SXV-102-NL	
		131976	P2B-SXV-103	@	P2B-SXV-103-NL	
		131977	P2B-SXV-104S	@	P2B-SXV-104S-NL	
206 (SXVU)	1-1/16 1-1/8 1-3/16 1-1/4 30mm	131082	P2B-SXVU-101	@	P2B-SXVU-101-NL	
		131083	P2B-SXVU-102	@	P2B-SXVU-102-NL	
		131084	P2B-SXVU-103	053008	P2B-SXVU-103-NL	
		131085	P2B-SXVU-104S	053042	P2B-SXVU-104S-NL	
		125714	P2B-SXVU-30M	@	P2B-SXVU-30M-NL	
207	1-1/4 1-5/16 1-3/8 1-7/16 35mm	131978	P2B-SXV-104	@	P2B-SXV-104-NL	
		131979	P2B-SXV-105	@	P2B-SXV-105-NL	
		131980	P2B-SXV-106	@	P2B-SXV-106-NL	
		131981	P2B-SXV-107	058275	P2B-SXV-107-NL	
		125715	P2B-SXV-35M	@	P2B-SXV-35M-NL	
208	1-1/2 40mm	131982	P2B-SXV-108	@	P2B-SXV-108-NL	
		125716	P2B-SXV-40M			
209	1-11/16 1-3/4 45mm	130312	P2B-SXV-111	@	P2B-SXV-111-NL	
		130313	P2B-SXV-112	@	P2B-SXV-112-NL	
		125717	P2B-SXV-45M	@	P2B-SXV-45M-NL	
210	1-15/16 2 50mm	130314	P2B-SXV-115	@	P2B-SXV-115-NL	
		130315	P2B-SXV-200	@	P2B-SXV-200-NL	
		125718	P2B-SXV-50M	@	P2B-SXV-50-NL	
211	2 2-3/16 55mm	130316	P2B-SXV-200L	@	P2B-SXV-200L-NL	
		130317	P2B-SXV-203	@	P2B-SXV-203-NL	
		125719	P2B-SXV-55M	@	P2B-SXV-55M-NL	

@ Assembled to order

FEATURE/BENEFITS ECCENTRIC COLLAR BALL BRGS PAGE B3-2	HOW TO ORDER/ NOMENCLATURE PAGE B3-4	SELECTION PAGE B3-5	DIMENSIONS SXV INSERTS PAGE B3-70
---	--	------------------------	---

SELECTION/DIMENSIONS



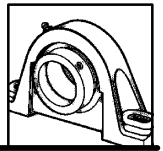
Eccentric Collar Ball Bearings

SXV AND SXVU INTERMEDIATE DUTY PILLOW BLOCKS

Series	Shaft Size	G	H	J	L	M	R	S
203	1/2 5/8	27/32	15/32	2-5/32	1-1/8	1-1/16	1/4	7/8
203 (SXVU)	1/2 5/8 17mm	27/32 21.4	19/32 15.1	2-9/32 57.9	1-1/8 28.6	1-3/16 30.2	1/4 6.4	7/8 22.2
204	3/4 20mm	27/32 21.4	17/32 13.5	2-9/16 65.1	1-5/16 33.3	1-5/16 33.3	0.295 7.5	0.924 23.5
205	7/8 15/16 1 25mm	27/32 21.4	19/32 15.1	2-25/32 70.6	1-1/2 38.1	1-7/16 36.5	0.458 11.6	0.761 19.3
206	1-1/16 1-1/8 1-3/16 1-1/4	15/16	11/16	3-1/4	1-3/4	1-5/8	0.354	1.052
206 (SXVU)	1-1/16 1-1/8 1-3/16 1-1/4 30mm	15/16 23.8	3/4 19.1	3-5/16 84.1	1-3/4 44.5	1-11/16 42.9	0.354 9.0	1.052 26.7
207	1-1/4 1-5/16 1-3/8 1-7/16 35mm	15/16 23.8	23/32 18.3	3-3/4 95.3	2-1/8 54.0	1-7/8 47.6	0.374 9.5	1.157 29.4
208	1-1/2 40mm	29/32 23.0	3/4 19.1	4 101.6	2-3/8 60.3	1-15/16 49.2	0.433 11.0	1.286 32.7
209	1-11/16 1-3/4 45mm	29/32 23.0	3/4 19.1	4-9/32 108.7	2-1/2 63.5	2-1/8 54.0	0.433 11.0	1.286 32.7
210	1-15/16 2 50mm	1-1/32 26.2	3/4 19.1	4-17/32 115.1	2-3/4 69.9	2-1/4 57.2	0.433 11.0	1.286 32.7
211	2 2-3/16 55mm	1-7/32 31.0	7/8 22.2	4-31/32 126.2	3 76.2	2-1/2 63.5	0.468 11.9	1.438 36.5

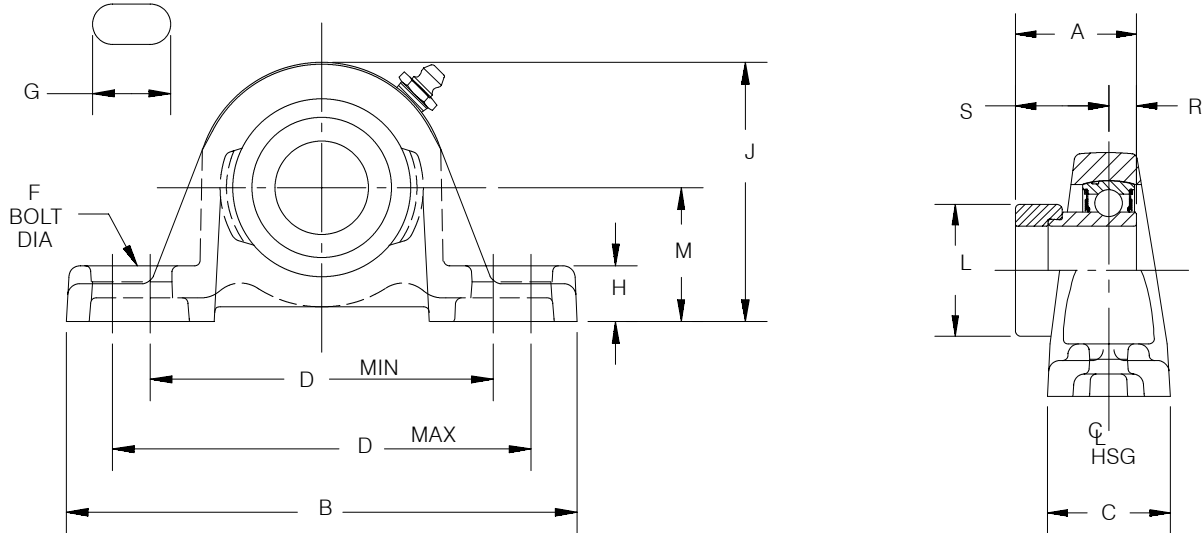
MODIFICATIONS PAGE B3-74	RELATED PRODUCTS PAGE B3-75		
-----------------------------	--------------------------------	--	--

SELECTION/DIMENSIONS



Eccentric Collar Ball Bearings

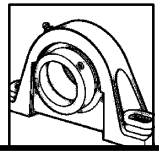
SXVB INTERMEDIATE DUTY PILLOW BLOCKS



Series	Shaft Size	Part Number	Description
203 (SXV)	1/2	130310	P2BSXV-008
	5/8	130311	P2B-SXV-010
204	3/4	131983	P2B-SXVB-012
205	7/8	131984	P2B-SXVB-014
	15/16	131985	P2B-SXVB-015
	1	131986	P2B-SXVB-100
206	1-1/16	131987	P2B-SXVB-101
	1-1/8	131988	P2B-SXVB-102
	1-3/16	131989	P2B-SXVB-103
	1-1/4	131990	P2B-SXVB-104S
207	1-1/4	131991	P2B-SXVB-104
	1-5/16	131992	P2B-SXVB-105
	1-3/8	131993	P2B-SXVB-106
	1-7/16	131994	P2B-SXVB-107
208	1-1/2	131995	P2B-SXVB-108
	40mm	125716	P2B-SXVB-40M
209	1-11/16	130318	P2B-SXVB-111
	1-3/4	130319	P2B-SXVB-112
210	1-15/16	130320	P2B-SXVB-115
	2	130321	P2B-SXVB-200
211	2	130322	P2B-SXVB-200L
	2-3/16	130323	P2B-SXVB-203

FEATURE/BENEFITS ECCENTRIC COLLAR BALL BRGS PAGE B3-2	HOW TO ORDER/ NOMENCLATURE PAGE B3-4	SELECTION PAGE B3-5	DIMENSIONS SXV INSERTS PAGE B3-70
---	--	------------------------	---

SELECTION/DIMENSIONS



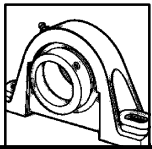
Eccentric Collar Ball Bearings

SXVB INTERMEDIATE DUTY PILLOW BLOCKS

Series	Shaft Size	Weight lbs. kg.	A	B	C	D		F Bolt Dia.
						Min.	Max.	
203 (SXV)	1/2 5/8	1.1 1.0	1-1/8	5	1-7/32	3-1/4	4-1/16	3/8
204	3/4	1.3	1-7/32	5-1/4	1-11/32	3-3/8	4-3/16	3/8
205	7/8 15/16 1	1.8 1.7 1.6	1-7/32	5-1/2	1-13/32	4-1/4	4-1/2	3/8
206	1-1/16 1-1/8 1-3/16 1-1/4	2.8 2.7 2.6 2.5	1-13/32	6-1/4	1-3/4	4-1/4	5	1/2
207	1-1/4 1-5/16 1-3/8 1-7/16	4.3 4.2 4.2 4.1	1-17/32	6-1/2	1-3/4	4-11/16	5-7/16	1/2
208	1-1/2 40mm	5.0 2.2	1-23/32 43.7	7-1/4 184.2	1-15/16 49.2	5-3/16 131.8	5-7/8 149.2	1/2 M12
209	1-11/16 1-3/4	5.4 5.3	1-23/32	7-7/16	2	5-1/2	6-3/16	1/2
210	1-15/16 2	5.7 5.6	1-23/32	8-1/8	2-1/4	6	6-11/16	5/8
211	2 2-3/16	7.8 7.5	1-29/32	8-7/8	2-5/16	6-3/8	7-7/16	5/8

Series	Shaft Size	G	H	J	L	M	R	S
203 (SXV)	1/2 5/8	27/32	15/32	2-5/32	1-1/8	1-1/16	1/4	7/8
204	3/4	27/32	15/32	2-1/2	1-5/16	1-1/4	0.295	0.924
205	7/8 15/16 1	27/32	15/32	2-21/32	1-1/2	1-5/16	0.458	0.761
206	1-1/16 1-1/8 1-3/16 1-1/4	15/16	5/8	3-3/16	1-3/4	1-9/16	0.354	1.052
207	1-1/4 1-5/16 1-3/8 1-7/16	15/16	21/32	3-11/16	2-1/8	1-13/16	0.374	1.157
208	1-1/2 40mm	29/32 23.0	3/4 19.1	4 101.6	2-3/8 60.3	1-15/16 49.2	0.433 11.0	1.286 32.7
209	1-11/16 1-3/4	29/32	11/16	4-7/32	2-1/2	2-1/16	0.433	1.286
210	1-15/16 2	1-1/32	11/16	4-15/32	2-3/4	2-3/16	0.433	1.286
211	2 2-3/16	1-7/32	13/16	4-29/32	3	2-7/16	0.468	1.438

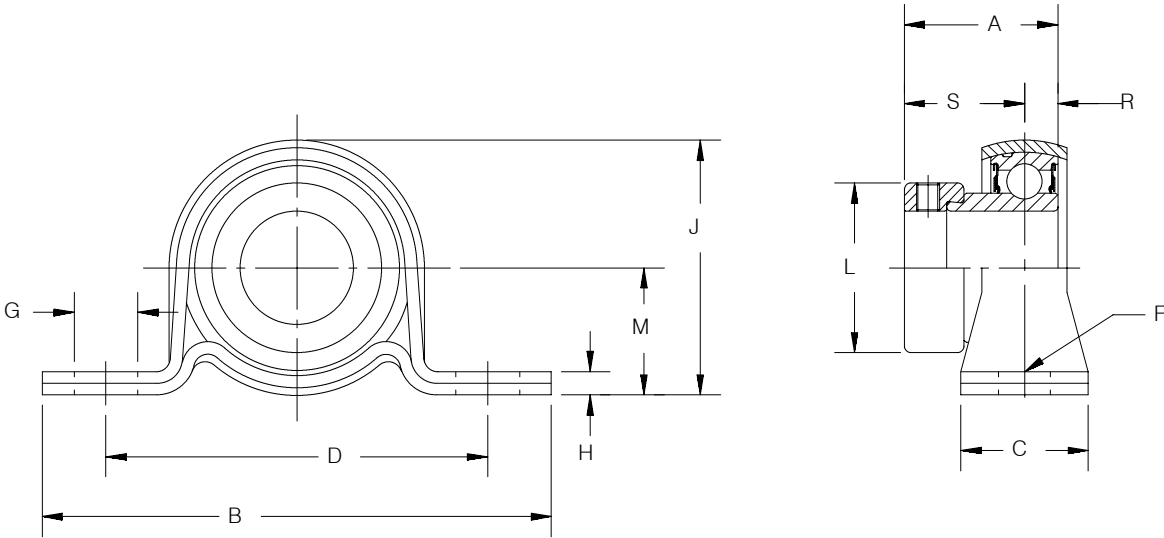
MODIFICATIONS PAGE B3-74	RELATED PRODUCTS PAGE B3-75		
-----------------------------	--------------------------------	--	--



SELECTION/DIMENSIONS

Eccentric Collar Ball Bearings

SLX LIGHT DUTY PILLOW BLOCKS

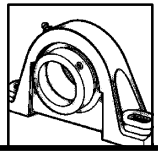


Series	Shaft Size	Part Number	Description
203	1/2 5/8	@ 052932	P2B-SLX-008 P2B-SLX-010
204	3/4	128130	P2B-SLX-012
205	7/8 15/16 1	128131 128132 128133	P2B-SLX-014 P2B-SLX-015 P2B-SLX-100
206	1-1/8 1-3/16 1-1/4	128134 128135 128136	P2B-SLX-102 P2B-SLX-103 P2B-SLX-104S
207	1-1/4 1-3/8 1-7/16	128183 128184 128185	P2B-SLX-104 P2B-SLX-106 P2B-SLX-107

@ Assembled to order

FEATURE/BENEFITS ECCENTRIC COLLAR BALL BRGS PAGE B3-2	HOW TO ORDER/ NOMENCLATURE PAGE B3-4	SELECTION PAGE B3-5	DIMENSIONS SXV INSERTS PAGE B3-70
---	--	------------------------	---

SELECTION/DIMENSIONS



Eccentric Collar Ball Bearings

SLX LIGHT DUTY PILLOW BLOCKS

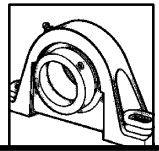
Series	Shaft Size	Weight	A	B	C	D	F Bolt Dia.	G
203	1/2 5/8	0.52 0.50	1-1/8	3-5/8	1	2-11/16	1/4	11/32
204	3/4	0.61	1-7/32	4-1/8	1	3	3/8	1/2
205	7/8 15/16 1	0.79 0.76 0.73	1-7/32	4-1/2	1-1/8	3-3/8	3/8	9/16
206	1-1/8 1-3/16 1-1/4	1.14 1.12 1.10	1-13/32	4-7/8	1-1/8	3-3/4	3/8	9/16
207	1-1/4 1-3/8 1-7/16	1.54 1.50 1.48	1-17/32	5-3/4	1-1/4	4-1/4	1/2	3/4

Series	Shaft Size	H	J	L	M	R	S	Housing Radial Load Rating (lbs.)
203	1/2 5/8	0.133	1-11/16	1-1/8	27/32	1/4	7/8	250
204	3/4	0.178	2-1/16	1-5/16	1	0.295	0.924	350
205	7/8 15/16 1	0.208	2-7/32	1-1/2	1-1/8	0.458	0.761	400
206	1-1/8 1-3/16 1-1/4	0.238	2-5/8	1-3/4	1-5/16	0.354	1.052	600
207	1-1/4 1-3/8 1-7/16	0.238	3-1/8	2-1/8	1-9/16	0.374	1.157	800

Mounting bolt holes will accept either carriage or machine bolts.

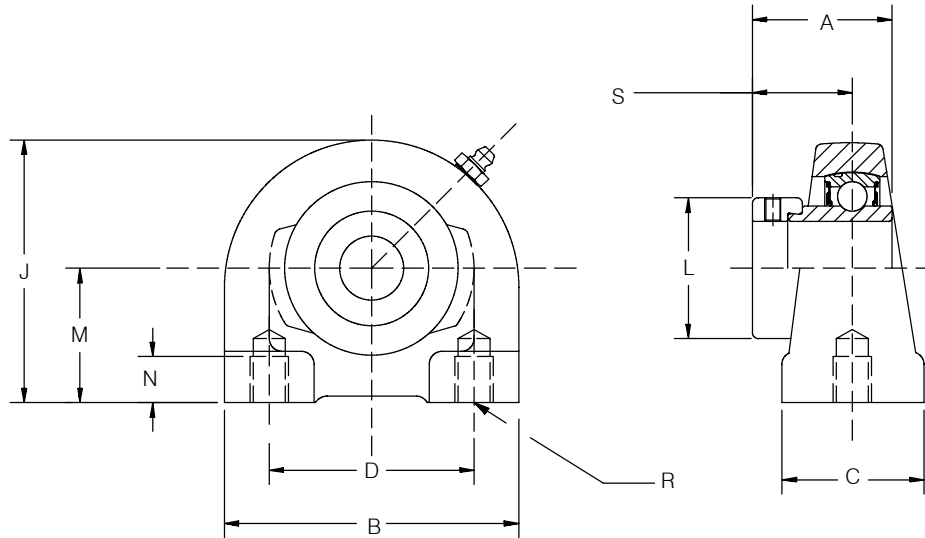
FEATURE/BENEFITS ECCENTRIC COLLAR BALL BRGS PAGE B3-2	HOW TO ORDER/ NOMENCLATURE PAGE B3-4	SELECTION PAGE B3-5	DIMENSIONS SXV INSERTS PAGE B3-70
---	--	------------------------	---

SELECTION/DIMENSIONS



Eccentric Collar Ball Bearings

SXR NORMAL DUTY TAPPED BASE PILLOW BLOCKS

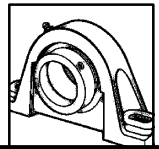


Series	Shaft Size	Part Number	Description
204	3/4 20mm	053219 053411	-012 TB-SXR-20M
205	7/8 15/16 1 25mm	@ 051885 053412	TB-SXR-014 TB-SXR-015 TB-SXR-100 TB-SXR-25M
206	1-1/16 1-1/8 1-3/16 1-1/4 30mm	053339 057692 @ 053413	TB-SXR-101 TB-SXR-102 TB-SXR-103 TB-SRX-104S TB-SXR-30M
207	1-1/4 1-5/16 1-3/8 1-7/16 35mm	@ @ @ @ 053414	TB-SXR-104 TB-SXR-105 TB-SXR-106 TB-SXR-107 TB-SXR-35M
208	1-1/2 40mm	@ 053415	TB-SXR-108 TB-SXR-40M
209	1-5/8 1-11/16 1-3/4 45mm	@ @ @ 053416	TB-SXR-110 TB-SXR-111 TB-SXR-112 TB-SXR-45M
210	1-15/16 2 50mm	@ @ 053417	TB-SXR-115 TB-SXR-200 TB-SXR-50M
211	2 2-3/16 55mm	@ @ 053418	TB-SXR-200L TB-SXR-203 TB-SXR-55M

@ Assembled to order

DIMENSIONS SXR INSERTS PAGE B3-70	MODIFICATIONS PAGE B3-74	RELATED PRODUCTS PAGE B3-75	
---	-----------------------------	--------------------------------	--

SELECTION/DIMENSIONS

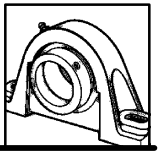


Eccentric Collar Ball Bearings

SXR NORMAL DUTY TAPPED BASE PILLOW BLOCKS

Series	Shaft Size	Weight lbs. kg.	A	B	C	D	J	L	M	N Min Tap Depth	R Bolt Holes mm Threads	S
204	3/4 20mm	1.5 0.6	1-9/16 39.7	2-7/8 73.0	1-1/2 38.1	2 50.8	2-9/16 65.1	1-5/16 33.3	1-5/16 33.3	1/2 12.7	3/8-16 M8x1.25	57/64 22.6
205	7/8 15/16 1 25mm	2.2 2.1 2.0 0.8	1-19/32 40.5	3 76.2	1-1/2 38.1	2 50.8	2-13/16 71.4	1-1/2 38.1	1-7/16 36.5	1/2 12.7	3/8-16 M10x1.5	29/32 23.0
206	1-1/16 1-1/8 1-3/16 1-1/4 30mm	3.2 3.0 2.8 2.6 1.1	1-3/4 44.5	4 101.6	1-1/2 38.1	3 76.2	3-3/8 85.7	1-3/4 44.5	1-11/16 42.9	5/8 15.9	7/16-14 M10x1.5	1-1/32 26.2
207	1-1/4 1-5/16 1-3/8 1-7/16 35mm	4.4 4.2 4.0 3.8 1.4	1-55/64 47.2	4-1/4 108.0	1-7/8 47.6	3-1/4 82.6	3-3/4 95.3	2-1/8 54.0	1-7/8 47.6	3/4 19.1	1/2-13 M10x1.5	1-1/8 28.6
208	1-1/2 40mm	4.8 1.8	2-1/64 51.2	4-5/8 117.5	1-7/8 47.6	3-1/2 88.9	3-15/16 100.0	2-3/8 60.3	1-15/16 49.2	3/4 19.1	1/2-13 M12x1.75	1-11/64 29.8
209	1-5/8 1-11/16 1-3/4 45mm	5.9 5.7 5.5 2.1	2-1/32 51.6	5 127.0	2 50.8	3-3/4 95.3	4-1/4 108.0	2-1/2 64.1	2-1/8 54.0	3/4 19.1	1/2-13 M12x1.75	1-3/16 30.2
210	1-15/16 2 50mm	6.5 6.3 2.4	2-9/32 57.9	5-1/2 139.7	2 50.8	4 101.6	4-5/8 117.5	2-3/4 69.9	2-1/4 57.2	7/8 22.2	5/8-11 M16x2	1-5/16 33.3
211	2 2-3/16 55mm	9.2 9.0 3.3	2-5/8 66.7	5-1/2 139.7	2 50.8	4 101.6	4-5/8 117.5	3 76.2	2-1/4 57.2	7/8 22.2	5/8-11 M16x2	1-17/32 38.9

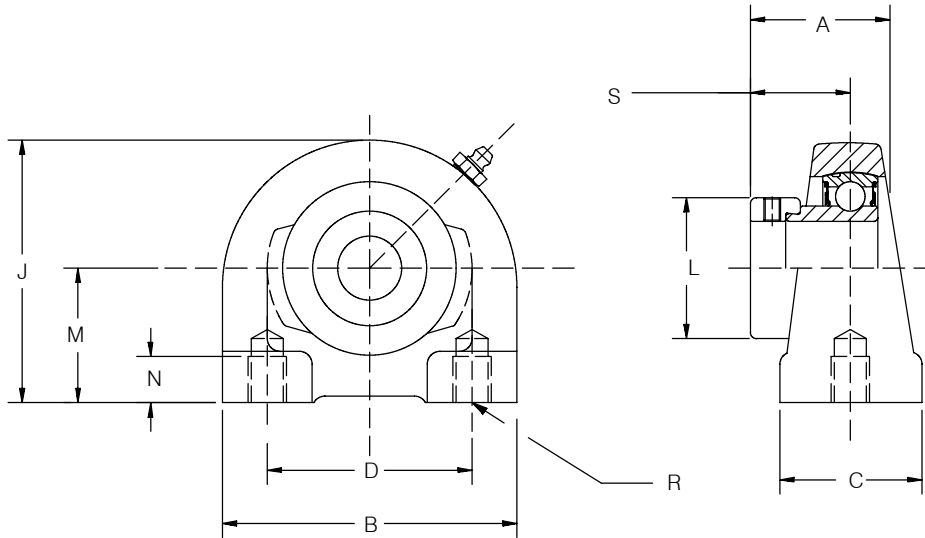
DIMENSIONS SXR INSERTS PAGE B3-70	MODIFICATIONS PAGE B3-74	RELATED PRODUCTS PAGE B3-75	
---	-----------------------------	--------------------------------	--



SELECTION/DIMENSIONS

Eccentric Collar Ball Bearings

SXV INTERMEDIATE DUTY TAPPED BASE PILLOW BLOCKS

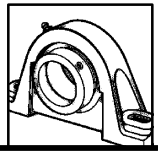


Series	Shaft Size	Part Number	Description
204	3/4 20mm	@ 130769	TB-SXV-012 TB-SXV-20M
205	7/8 15/16 1 25mm	@ @ 124474 130770	TB-SXV-014 TB-SXV-015 TB-SXV-100 TB-SXV-25M
206	1-1/16 1-1/8 1-3/16 1-1/4 30mm	@ @ @ @ 130771	TB-SXV-101 TB-SXV-102 TB-SXV-103 TB-SXV-104S TB-SXV-30M
207	1-1/4 1-5/16 1-3/8 1-7/16 35mm	@ @ @ @ 130772	TB-SXV-104 TB-SXV-105 TB-SXV-106 TB-SXV-107 TB-SXV-35M
208	1-1/2 40mm	@ 130773	TB-SXV-108 TB-SXV-40M
209	1-11/16 1-3/4 45mm	@ @ 130774	TB-SXV-111 TB-SXV-112 TB-SXV-45M
210	1-15/16 2 50mm	@ @ 130775	TB-SXV-115 TB-SXV-200 TB-SXV-50M
211	2 2-3/16 55mm	@ @ @	TB-SXV-200L TB-SXV-203 TB-SXV-55M

@ Assembled to order

FEATURE/BENEFITS ECCENTRIC COLLAR BALL BRGS PAGE B3-2	HOW TO ORDER/ NOMENCLATURE PAGE B3-4	SELECTION PAGE B3-5	DIMENSIONS SXR INSERTS PAGE B3-70
---	--	------------------------	---

SELECTION/DIMENSIONS



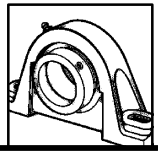
Eccentric Collar Ball Bearings

SXV INTERMEDIATE DUTY TAPPED BASE PILLOW BLOCKS

Series	Shaft Size	Weight lbs. kg	A	B	C	D	J	L	M	N Min. Tap Depth	R Bolt Hole UNC- Thread	S
204	3/4 20mm	1.5 0.6	1-1/16 27.0	2-7/8 73.0	1-1/2 38.1	2 50.8	2-9/16 65.1	1-5/16 33.3	1-5/16 33.3	1/2 12.7	3/8 - 16 M8x1.25	0.763 19.4
205	7/8 15/16 1 25mm	2.2 2.1 2.0 0.8	1-1/16 27.0	3 76.2	1-1/2 38.1	2 50.8	2-13/16 71.4	1-1/2 38.1	1-7/16 36.5	1/2 12.7	3/8 - 16 M10x1.5	0.763 19.4
206	1-1/16 1-1/8 1-3/16 1-1/4 30mm	3.2 3.0 2.8 2.6 1.1	1-1/4 31.8	4 101.6	1-1/2 38.1	3 76.2	3-3/8 85.7	1-3/4 44.5	1-11/16 42.9	5/8 15.9	7/16-14 M10x1.5	0.894 22.7
207	1-1/4 1-5/16 1-3/8 1-7/16 35mm	4.4 4.2 4.0 3.8 1.4	1-3/8 34.9	4-1/4 108.0	1-7/8 47.6	3-1/4 82.6	3-3/4 95.3	2-1/8 54.0	1-7/8 47.6	3/4 19.1	1/2 - 13 M10x1.5	1.000 25.4
208	1-1/2 40mm	4.8 1.8	1-17/32 38.9	4-5/8 117.5	1-7/8 47.6	3-1/2 88.9	3-15/16 100.0	2-3/8 60.3	1-15/16 4.92	3/4 19.1	1/2 - 13 M12x1.75	1.090 27.7
209	1-11/16 1-3/4 45mm	5.7 5.5 2.1	1-1/2 38.1	5 127.0	2 50.8	3-3/4 95.3	4-1/4 108.0	2-1/2 64.1	2-1/8 54.0	3/4 19.1	1/2 - 13 M12x1.75	1.066 27.1
210	1-15/16 2 50mm	6.5 6.3 2.4	1-17/32 38.9	5-1/2 139.7	2 50.8	4 101.6	4-5/8 117.5	2-3/4 69.9	2-1/4 57.2	7/8 22.2	5/8 - 11 M16x2	1.090 27.7
211	2 2-3/16 55mm	9.2 9.0 3.3	1-23/32 43.7	5-1/2 139.7	2 50.8	4 101.6	4-5/8 117.5	3 76.2	2-1/4 57.2	7/8 22.2	5/8 - 11 M16x2	1.237 31.4

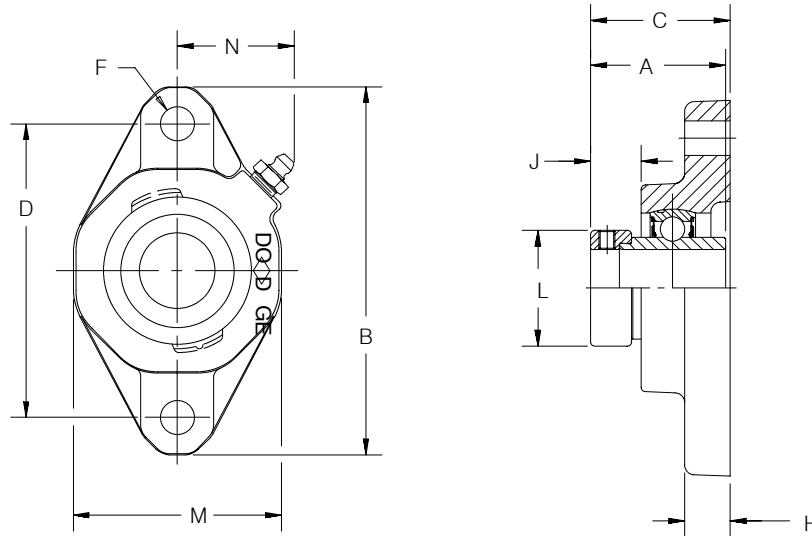
FEATURE/BENEFITS ECCENTRIC COLLAR BALL BRGS PAGE B3-2	HOW TO ORDER/ NOMENCLATURE PAGE B3-4	SELECTION PAGE B3-5	DIMENSIONS SXR INSERTS PAGE B3-70
---	--	------------------------	---

SELECTION/DIMENSIONS



Eccentric Collar Ball Bearings

SXR NORMAL DUTY 2-BOLT FLANGE BEARINGS

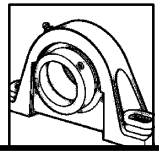


Series	Shaft Size	Part Number	Description
203	1/2	131050	F2B-SXR-008
	5/8	131052	F2B-SXR-010
	17mm	125677	F2B-SXR-17M
204	3/4 20mm	131054 125678	F2B-SXR-012 F2B-SXR-20M
205	7/8	131056	F2B-SXR-014
	15/16	131057	F2B-SXR-015
	1	131058	F2B-SXR-100
	25mm	125679	F2B-SXR-25M
206	1-1/16	131059	F2B-SXR-101
	1-1/8	131060	F2B-SXR-102
	1-3/16	131061	F2B-SXR-103
	1-1/4	@	F2B-SXR-104S
	30mm	125680	F2B-SXR-30M
207	1-1/4	131063	F2B-SXR-104
	1-5/16	131064	F2B-SXR-105
	1-3/8	131065	F2B-SXR-106
	1-7/16	131066	F2B-SXR-107
	35mm	125681	F2B-SXR-35M
208	1-1/2 40mm	131067 125682	F2B-SXR-108 F2B-SXR-40M
209	1-5/8	131070	F2B-SXR-110
	1-11/16	131071	F2B-SXR-111
	1-3/4	131072	F2B-SXR-112
	45mm	125683	F2B-SXR-45M
210	1-15/16	131075	F2B-SXR-115
	2	131077	F2B-SXR-200
	50mm	125684	F2B-SXR-50M
211	2	@	F2B-SXR-200L
	2-3/16	131074	F2B-SXR-203
	55mm	@	F2B-SXR-55M

@ Assembled to order

FEATURE/BENEFITS ECCENTRIC COLLAR BALL BRGS PAGE B3-2	HOW TO ORDER/ NOMENCLATURE PAGE B3-4	SELECTION PAGE B3-5	
---	--	------------------------	--

SELECTION/DIMENSIONS

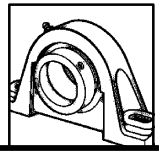


Eccentric Collar Ball Bearings

SXR NORMAL DUTY 2-BOLT FLANGE BEARINGS

Series	Shaft Size	Weight lbs kg	A	B	C	D	F Bolt Dia.	H	J	L	M	N
203	1/2	0.9	1-1/8	3-7/8	1-19/32	3	3/8	33/64	39/64	1-1/8	2-1/32	1-3/16
	5/8	0.8										
	17mm	0.4	28.6	98.4	40.5	76.2	M10	13.1	15.5	28.6	51.6	30.2
204	3/4	1.2	1-23/32	4-27/64	1-61/64	3-17/32	3/8	19/32	41/64	1-5/16	2-3/8	1-3/8
	20mm	0.5	43.7	112.3	49.6	89.7	M10	15.8	16.2	33.3	60.3	34.9
205	7/8	1.7	1-3/4	4-7/8	1-13/16	3-57/64	7/16	19/32	21/32	1-1/2	2-3/4	1-9/16
	15/16	1.6										
	1	1.5										
206	1-1/16	2.4	1-29/32	5-9/16	1-63/64	4-19/32	7/16	5/8	47/64	1-3/4	3-1/4	1-3/4
	1-1/8	2.3										
	1-3/16	2.2										
207	1-1/4	3.6	2-1/64	6-1/8	2-7/64	5-1/8	1/2	41/64	25/32	2-1/8	3-3/4	1-57/64
	1-5/16	3.5										
	1-3/8	3.4										
208	1-7/16	3.3										
	35mm	1.5	51.2	155.6	53.6	130.2	M12	16.3	19.8	54.0	95.3	48.0
	1-1/2	4.3	2-7/32	6-3/4	2-21/64	5-21/32	1/2	21/32	25/32	2-3/8	4-1/8	1-7/8
209	40mm	1.9	56.4	171.5	59.1	143.7	M12	16.7	19.8	60.3	104.8	47.6
	1-5/8	5.3	2-7/32	7-1/6	2-5/16	5-27/32	1/2	41/64	25/32	2-1/2	4-3/8	1-31/32
	1-11/16	5.1										
210	1-3/4	4.9										
	45mm	2.2	56.4	179.4	58.7	148.4	M12	16.3	19.8	64.1	111.1	50.0
	1-15/16	5.8	2-15/32	7-7/16	2-19/32	6-3/16	5/8	25/32	53/64	2-3/4	4-9/16	2-1/32
211	2	5.6										
	50mm	2.6	62.7	188.9	65.9	157.2	M16	19.8	21.0	69.9	115.9	51.6
	2-3/16	7.8	2-13/16	8-1/2	2-15/16	7-1/4	5/8	13/16	1-1/32	3	5-1/4	2-9/32
211	55mm	3.5	71.4	215.9	74.6	184.2	M16	20.6	26.2	76.2	133.4	57.9

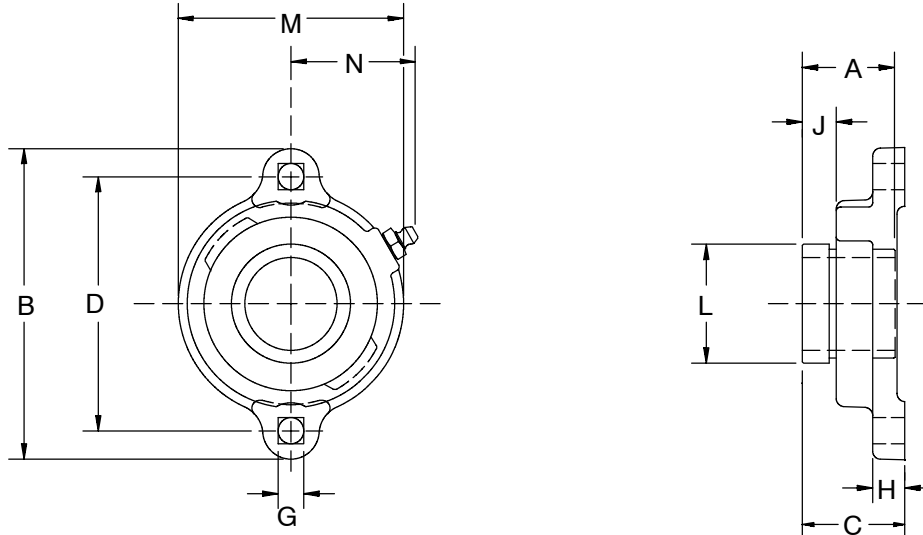
FEATURE/BENEFITS ECCENTRIC COLLAR BALL BRGS PAGE B3-2	HOW TO ORDER/ NOMENCLATURE PAGE B3-4	SELECTION PAGE B3-5	
---	--	------------------------	--



SELECTION/DIMENSIONS

Eccentric Collar Ball Bearings

SXV LFT NORMAL DUTY 2-BOLT FLANGE BEARINGS

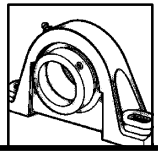


Series	Shaft Size	Standard		Sealed For Life	
		Part Number	Description	Part Number	Description
203	1/2	@	LFT-SXV-008	124748	LFT-SXV-008-NL
	5/8	@	LFT-SXV-010	124749	LFT-SXV-010-NL
	17MM	130776	LFT-SXV-17M	@	LFT-SXV-17M-NL
204	3/4	@	LFT-SXV-012	124678	LFT-SXV-012-NL
	20mm	130777	LFT-SXV-20M	@	LFT-SXV-20M-NL
205	7/8	@	LFT-SXV-014	@	LFT-SXV-014-NL
	15/16	@	LFT-SXV-015	@	LFT-SXV-015-NL
	1	124677	LFT-SXV-100	124697	LFT-SXV-100-NL
	25mm	130778	LFT-SXV-25M	@	LFT-SXV-25M-NL
206	1-1/16	@	LFT-SXV-101	@	LFT-SXV-101-NL
	1-1/8	@	LFT-SXV-102	@	LFT-SXV-102-NL
	1-3/16	@	LFT-SXV-103	053007	LFT-SXV-103-NL
	1-1/4	@	LFT-SXV-104S	@	LFT-SXV-104S-NL
	30mm	130779	LFT-SXV-30M	@	LFT-SXV-30M-NL
207	1-1/4	@	LFT-SXV-104	@	LFT-SXV-104-NL
	1-5/16	@	LFT-SXV-105	@	LFT-SXV-105-NL
	1-3/8	@	LFT-SXV-106	@	LFT-SXV-106-NL
	1-7/16	@	LFT-SXV-107	124676	LFT-SXV-107-NL
	35mm	130780	LFT-SXV-35M	@	LFT-SXV-35M-NL

@ Assembled to order

MODIFICATIONS PAGE B3-74	RELATED PRODUCTS PAGE B3-75		
-----------------------------	--------------------------------	--	--

SELECTION/DIMENSIONS



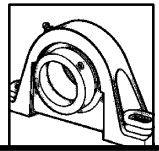
Eccentric Collar Ball Bearings

SXV LFT NORMAL DUTY 2-BOLT FLANGE BEARINGS

Series	Shaft Size	Weight lbs. kg.	A	B	C	D	G	H	J	L	M	N
203	1/2	0.63	1-1/8	3-3/16	1-1/16	2-1/2	19/64	3/8	11/32	1-1/8	2-1/8	1-15/64
	5/8	0.60										
	17MM	0.3	28.6	81.0	27.0	63.5	7.5	9.5	8.7	28.6	54.0	31.4
204	3/4	0.77	1-7/32	3-9/16	1-7/32	2-13/16	11/32	27/64	3/8	1-5/16	2-3/8	1-11/32
	20mm	0.4	31.0	90.5	31.0	71.4	8.7	10.7	9.5	33.3	60.3	34.1
205	7/8	0.92	1-7/32	3-3/4	1-1/4	3	11/32	27/64	13/32	1-1/2	2-5/8	1-7/16
	15/16	0.89										
	1	0.86	31.0	95.3	31.8	76.2	8.7	10.7	10.3	38.1	66.7	36.5
206	25mm	0.4										
	1-1/16	1.53	1-13/32	4-7/16	1-15/32	3-9/16	13/32	15/32	17/32	1-3/4	3-1/4	1-23/32
	1-1/8	1.50										
	1-3/16	1.47										
	1-1/4	1.44	35.7	112.7	37.3	90.5	10.3	11.9	13.5	44.5	82.6	43.7
30mm	0.7											
207	1-1/4	1.92	1-17/32	4-13/16	1-19/32	3-15/16	13/32	1/2	17/32	2-1/8	3-1/2	1-53/64
	1-5/16	1.89										
	1-3/8	1.86										
	1-7/16	1.83	38.9	122.2	40.5	100.0	10.3	12.7	13.5	54.0	88.9	46.4
	35mm	0.8										

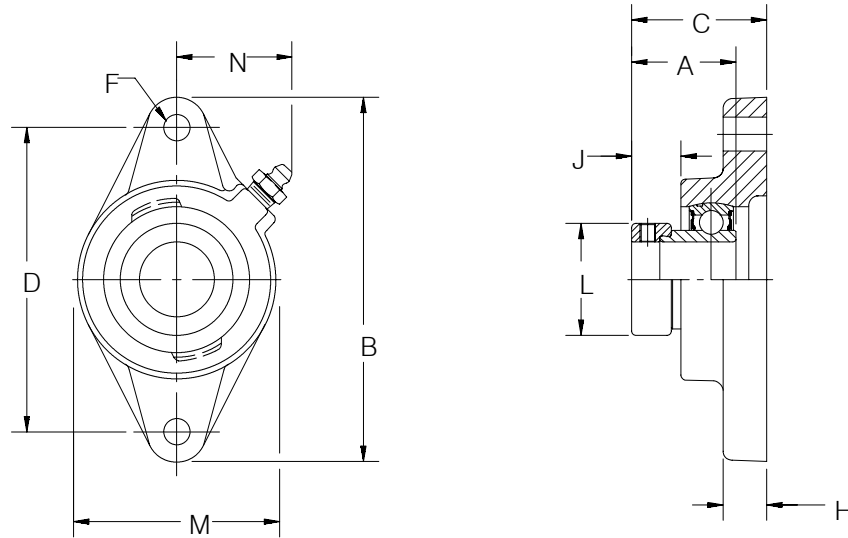
MODIFICATIONS PAGE B3-74	RELATED PRODUCTS PAGE B3-75	
-----------------------------	--------------------------------	--

SELECTION/DIMENSIONS



Eccentric Collar Ball Bearings

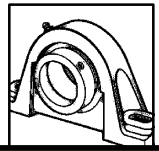
SXV INTERMEDIATE DUTY 2-BOLT FLANGE BEARINGS



Series	Shaft Size	Part Number	Description
203	1/2	130326	F2B-SXV-008
	5/8	130327	F2B-SXV-010
	17mm	125529	F2B-SXV-17M
204	3/4	131737	F2B-SXV-012
	20mm	125730	F2B-SXV-20M
205	7/8	131738	F2B-SXV-014
	15/16	131739	F2B-SXV-015
	1	131740	F2B-SXV-100
	25mm	125731	F2B-SXV-25M
206	1-1/16	131741	F2B-SXV-101
	1-1/8	131742	F2B-SXV-102
	1-3/16	131743	F2B-SXV-103
	1-1/4	131744	F2B-SXV-104S
	30mm	125732	F2B-SXV-30M
207	1-1/4	131745	F2B-SXV-104
	1-5/16	131746	F2B-SXV-105
	1-3/8	131747	F2B-SXV-106
	1-7/16	131748	F2B-SXV-107
	35mm	125733	F2B-SXV-35M
208	1-1/2	131749	F2B-SXV-108
	40mm	125734	F2B-SXV-40M
209	1-11/16	130328	F2B-SXV-111
	1-3/4	130329	F2B-SXV-112
	45mm	125735	F2B-SXV-45M
210	1-15/16	130330	F2B-SXV-115
	2	130331	F2B-SXV-200
	50mm	125736	F2B-SXV-50M
211	2	130352	F2B-SXV-200L
	2-3/16	130353	F2B-SXV-203
	55mm	125737	F2B-SXV-55M

FEATURE/BENEFITS ECCENTRIC COLLAR BALL BRGS PAGE B3-2	HOW TO ORDER/ NOMENCLATURE PAGE B3-4	SELECTION PAGE B3-5	DIMENSIONS SXV INSERTS PAGE B3-70
---	--	------------------------	---

SELECTION/DIMENSIONS



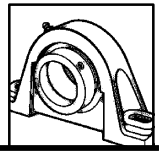
Eccentric Collar Ball Bearings

SXV INTERMEDIATE DUTY 2-BOLT FLANGE BEARINGS

Series	Shaft Size	Weight lbs kg.	A	B	C	D	F Bolt Dia.	H	J	L	M	N
203	1/2	0.9	1-1/8	3-7/8	1-3/16	3	3/8	3/8	9/16	1-1/8	2-1/8	1-1/8
	5/8	0.8										
	17mm	0.3	28.6	98.4	30.2	76.2	M10	9.5	14.3	28.6	54.0	28.6
204	3/4	1.0	1-7/32	4-13/32	1-3/8	3-17/32	3/8	1/2	37/64	1-5/16	2-3/8	1-1/2
	20mm	0.5	31.0	111.9	34.9	89.7	M10	12.7	14.7	33.3	60.3	38.1
205	7/8	1.7	1-7/32	4-7/8	1-11/32	3-57/64	7/16	1/2	35/64	1-1/2	2-3/4	1-7/16
	15/16	1.6										
	1 25mm	1.5 0.7	31.0	123.8	34.1	98.8	M10	12.7	13.9	38.1	69.9	36.5
206	1-1/16	2.4	1-13/32	5-9/16	1-17/32	4-19/32	7/16	1/2	39/64	1-3/4	3-1/8	1-9/16
	1-1/8	2.3										
	1-3/16 1-1/4 30mm	2.2 2.1 1.0	35.7	141.3	38.9	116.7	M10	12.7	15.5	44.5	79.4	39.7
207	1-1/4	3.6	1-17/32	6-1/8	1-3/4	5-1/8	1/2	9/16	21/32	2-1/8	3-3/4	1-27/32
	1-5/16	3.5										
	1-3/8 1-7/16 35mm	3.3 3.2 1.5	38.9	155.6	44.5	130.2	M12	14.3	16.7	54.0	95.3	46.8
208	1-1/2	4.7	1-23/32	6-3/4	1-7/8	5-21/32	1/2	9/16	23/32	2-3/8	4-1/8	1-53/64
	40mm	2.2	43.7	171.5	47.6	143.7	M12	14.3	18.3	60.3	104.8	46.4
209	1-11/16	5.1	1-23/32	7-1/16	1-15/16	5-27/32	1/2	5/8	11/16	2-1/2	4-3/8	1-29/32
	1-3/4	4.9										
	45mm	2.2	43.7	179.4	49.2	148.4	M12	15.9	17.5	63.5	111.1	48.4
210	1-15/16	5.8	1-23/32	7-7/16	2	6-3/16	1/2	5/8	21/32	2-3/4	4-9/16	2-1/32
	2	5.3										
	50mm	2.4	43.7	188.9	50.8	157.2	M16	15.9	16.7	69.9	115.9	51.6
211	2	6.9	1-29/32	8-5/8	2-5/32	7-1/4	5/8	11/16	25/32	3	5-1/4	2-17/64
	2-3/16	6.7										
	55mm	3.1	48.4	219.1	54.8	184.2	M16	17.5	19.8	76.2	133.4	57.5

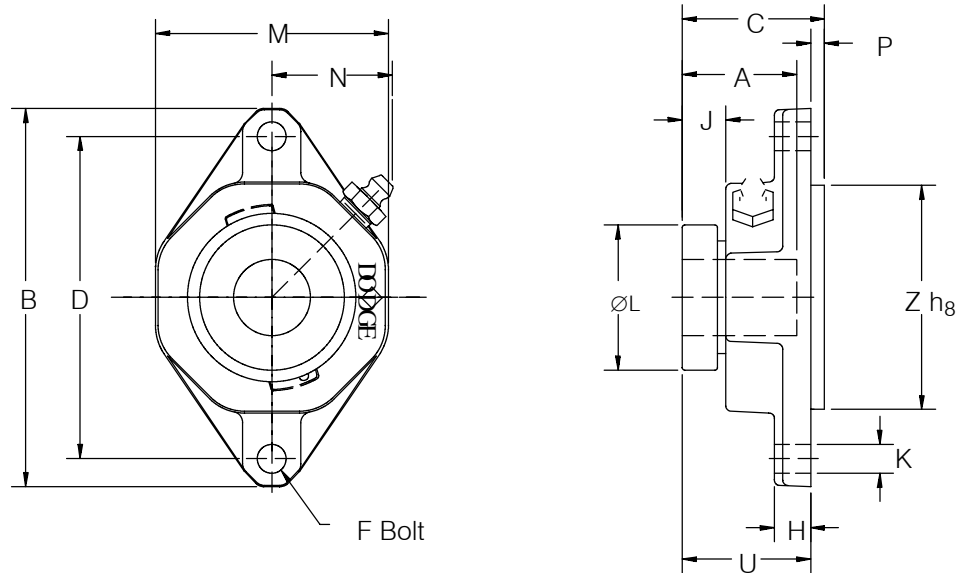
FEATURE/BENEFITS ECCENTRIC COLLAR BALL BRGS PAGE B3-2	HOW TO ORDER/ NOMENCLATURE PAGE B3-4	SELECTION PAGE B3-5	DIMENSIONS SXV INSERTS PAGE B3-70
---	--	------------------------	---

SELECTION/DIMENSIONS



Eccentric Collar Ball Bearings

SXR NORMAL DUTY 2-BOLT PILOTED FLANGE BEARINGS

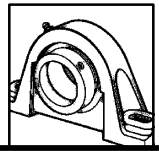


Series	Shaft Size	Part Number	Description
204	3/4 20mm	@ 130831	F2BZ-SXR-012 F2BZ-SXR-20M
205	7/8 15/16 1 25mm	@ @ @ 130832	F2BZ-SXR-014 F2BZ-SXR-015 F2BZ-SXR-100 F2BZ-SXR-25M
206	1-1/8 1-3/16 1-1/4 30mm	@ @ @ 130833	F2BZ-SXR-102 F2BZ-SXR-103 F2BZ-SXR-104S F2BZ-SXR-30M
207	1-1/4 1-3/8 1-7/16 35mm	@ @ @ 130834	F2BZ-SXR-104 F2BZ-SXR-106 F2BZ-SXR-107 F2BZ-SXR-35M
208	1-1/2 40mm	@ 130835	F2BZ-SXR-108 F2BZ-SXR-40M
209	1-5/8 1-11/16 1-3/4 45mm	@ @ @ 130836	F2BZ-SXR-110L F2BZ-SXR-111 F2BZ-SXR-112 F2BZ-SXR-45M
210	1-15/16 2 50mm	@ @ 130837	F2BZ-SXR-115 F2BZ-SXR-200 F2BZ-SXR-50M

@Assembled to order

FEATURE/BENEFITS ECCENTRIC COLLAR BALL BRGS PAGE B3-2	HOW TO ORDER/ NOMENCLATURE PAGE B3-4	SELECTION PAGE B3-5	DIMENSIONS SXV INSERTS PAGE B3-70
---	--	------------------------	---

SELECTION/DIMENSIONS



Eccentric Collar Ball Bearings

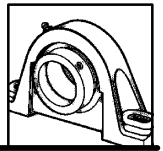
SXR NORMAL DUTY 2-BOLT PILOTED FLANGE BEARINGS

Series	Shaft Size	Weight lbs kg	A	B	C	D	F Bolt Dia.	H
204	3/4 20mm	1.3 0.6	1-23/32 43.7	4-27/64 112.3	1-51/64 45.6	3-17/32 89.7	3/8 M10	13/32 10.3
205	7/8 15/16 1 25mm	1.6 0.7	1-3/4 44.5	4-7/8 123.8	1-51/64 45.6	3-57/64 98.8	7/16 M10	15/32 11.9
206	1-1/8 1-3/16 1-1/4 30mm	2.1 0.9	1-29/32 48.4	5-9/16 141.3	1-29/32 48.4	4-19/32 116.7	7/16 M10	17/32 13.5
207	1-1/4 1-3/8 1-7/16 35mm	3.1 1.3	2-1/64 51.2	6-1/8 155.6	2-1/8 53.8	5-1/8 130.2	1/2 M12	35/64 13.9
208	1-1/2 40mm	4.3 1.9	2-7/32 56.4	6-3/4 171.5	2-21/64 59.1	5-21/32 143.7	1/2 M12	17/32 13.5
209	1-5/8 1-11/16 1-3/4 45mm	4.7 2.0	2-7/32 56.4	7-1/16 179.4	2-21/64 59.1	5-27/32 148.4	9/16 M12	9/16 14.3
210	1-15/16 2 50mm	5.2 2.1	2-15/32 62.7	7-7/16 188.9	3-13/32 86.5	6-3/16 157.2	9/16 M16	35/64 13.9

Series	Shaft Size	J	K	L	M	N	P	U	Z _{H8}
204	3/4 20mm	41/64 16.3	27/64 10.7	1-5/16 33.3	2-3/8 60.3	1-3/8 34.9	0.1378 3.5	1.6591 42.1	2.1654 55.0
205	7/8 15/16 1 25mm	21/32 16.7	29/64 11.5	1-1/2 38.1	2-3/4 69.9	1-9/16 39.7	0.1378 3.5	1.6591 42.1	2.3622 60.0
206	1-1/8 1-3/16 1-1/4 30mm	43/64 17.1	29/64 11.5	1-3/4 44.5	3-1/4 82.6	1-3/4 44.5	0.1181 3.0	1.7882 45.4	3.1496 80.0
207	1-1/4 1-3/8 1-7/16 35mm	25/32 19.7	33/64 13.1	2-1/8 54.0	3-3/4 95.3	1-57/64 48.0	0.1575 4.0	1.9603 49.8	3.5433 90.0
208	1-1/2 40mm	25/32 19.8	33/64 13.1	2-3/8 60.3	4-1/8 104.8	1-7/8 47.6	0.1575 4.0	2.1706 55.1	3.9370 100.0
209	1-5/8 1-11/16 1-3/4 45mm	25/32 19.8	33/64 13.1	2-1/2 63.5	4-3/8 111.1	1-31/32 50.0	0.1575 4.0	2.1706 55.1	4.1339 105.0
210	1-15/16 2 50mm	27/32 21.4	43/64 17.1	2-3/4 69.9	4-9/16 115.9	2-1/32 51.6	0.1575 4.0	3.2488 82.5	4.1339 105.0

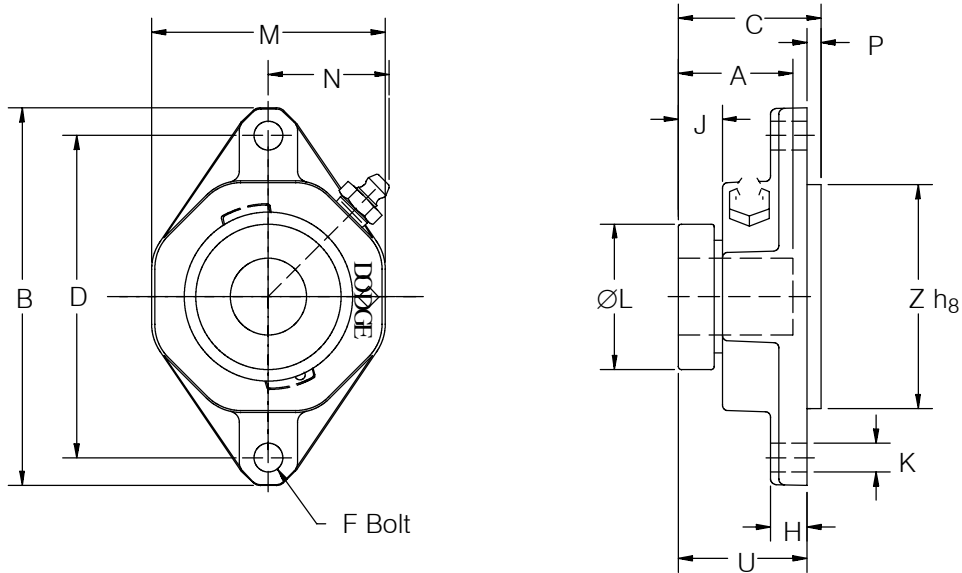
FEATURE/BENEFITS ECCENTRIC COLLAR BALL BRGS PAGE B3-2	HOW TO ORDER/ NOMENCLATURE PAGE B3-4	SELECTION PAGE B3-5	DIMENSIONS SXV INSERTS PAGE B3-70
---	--	------------------------	---

SELECTION/DIMENSIONS



Eccentric Collar Ball Bearings

SXV INTERMEDIATE DUTY 2-BOLT PILOTED FLANGE BEARINGS

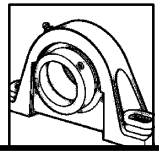


Series	Shaft Size	Part Number	Description
204	3/4 20mm	@ 130781	F2BZ-SXV-012 F2BZ-SXV-20M
205	7/8 15/16 1 25mm	@ @ @ 130782	F2BZ-SXV-014 F2BZ-SXV-015 F2BZ-SXV-100 F2BZ-SXV-25M
206	1-1/8 1-3/16 1-1/4 30mm	@ @ @ 130783	F2BZ-SXV-102 F2BZ-SXV-103 F2BZ-SXV-104S F2BZ-SXV-30M
207	1-1/4 1-3/8 1-7/16 35mm	@ @ @ 130784	F2BZ-SXV-104 F2BZ-SXV-106 F2BZ-SXV-107 F2BZ-SXV-35M
208	1-1/2 40mm	@ 130785	F2BZ-SXV-108 F2BZ-SXV-40M
209	1-11/16 1-3/4 45mm	@ @ 130786	F2BZ-SXV-111 F2BZ-SXV-112 F2BZ-SXV-45M
210	1-15/16 2 50mm	@ @ 130787	F2BZ-SXV-115 F2BZ-SXV-200 F2BZ-SXV-50M

@Assembled to order

FEATURE/BENEFITS ECCENTRIC COLLAR BALL BRGS PAGE B3-2	HOW TO ORDER/ NOMENCLATURE PAGE B3-4	SELECTION PAGE B3-5	DIMENSIONS SXV INSERTS PAGE B3-70
---	--	------------------------	---

SELECTION/DIMENSIONS



Eccentric Collar Ball Bearings

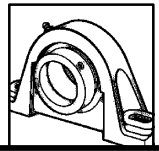
SXV INTERMEDIATE DUTY 2-BOLT PILOTED FLANGE BEARINGS

Series	Shaft Size	Weight lbs kg	A	B	C	D	F Bolt Dia.	H	J
204	3/4 20mm	1.1 0.5	1-7/32 31.0	4-27/64 112.3	1-43/64 42.5	3-17/32 89.7	3/8 M10	13/32 10.3	33/64 13.2
205	7/8 15/16 1 25mm	1.5 1.4 1.4 0.6	1-7/32 31.0	4-7/8 123.8	1-1/2 38.0	3-57/64 98.8	7/16 M10	15/32 11.9	23/64 9.0
206	1-1/8 1-3/16 1-1/4 30mm	1.9 1.9 1.9 0.9	1-13/32 35.7	5-9/16 141.3	1-49/64 45.0	4-19/32 116.7	7/16 M10	17/32 13.5	17/32 13.6
207	1-1/4 1-3/8 1-7/16 35mm	2.9 2.8 2.8 1.3	1-17/32 38.9	6-1/8 155.6	2 50.8	5-1/8 130.2	1/2 M12	35/64 13.9	21/32 16.7
208	1-1/2 40mm	4.4 2.0	1-23/32 43.7	6-3/4 171.5	2-15/64 56.9	5-21/32 143.7	1/2 M12	17/32 13.5	11/16 17.6
209	1-11/16 1-3/4 45mm	4.6 4.5 2.1	1-23/32 43.7	7-1/16 179.4	2-15/64 56.9	5-27/32 148.4	9/16 M12	9/16 14.3	11/16 17.6
210	1-15/16 2 50mm	5.0 4.8 2.1	1-23/32 43.7	7-7/16 188.9	3-3/16 81.1	6-3/16 157.2	9/16 M16	35/64 13.9	5/8 16.0

Series	Shaft Size	K	L	M	N	P	U	Z _{H8}
204	3/4 20mm	27/64 10.7	1-5/16 33.3	2-3/8 60.3	1-3/8 34.9	0.1378 3.5	1.5362 39.0	2.1654 55.0
205	7/8 15/16 1 25mm	29/64 11.5	1-1/2 38.1	2-3/4 69.9	1-9/16 39.7	0.1378 3.5	1.3576 34.5	2.3622 60.0
206	1-1/8 1-3/16 1-1/4 30mm	29/64 11.5	1-3/4 44.5	3-1/4 82.6	1-3/4 44.5	0.1181 3.0	1.6527 42.0	3.1496 80.0
207	1-1/4 1-3/8 1-7/16 35mm	33/64 13.1	2-1/8 54.0	3-3/4 95.3	1-57/64 48.0	0.1575 4.0	1.8433 46.8	3.5433 90.0
208	1-1/2 40mm	33/64 13.1	2-3/8 60.3	4-1/8 104.8	1-7/8 47.6	0.1575 4.0	2.0816 52.9	3.9370 100.0
209	1-11/16 1-3/4 45mm	33/64 13.1	2-1/2 63.5	4-3/8 111.1	1-31/32 50.0	0.1575 4.0	2.0816 52.9	4.1339 105.0
210	1-15/16 2 50mm	43/64 17.1	2-3/4 69.9	4-9/16 115.9	2-1/32 51.6	0.1575 4.0	3.0348 77.1	4.1339 105.0

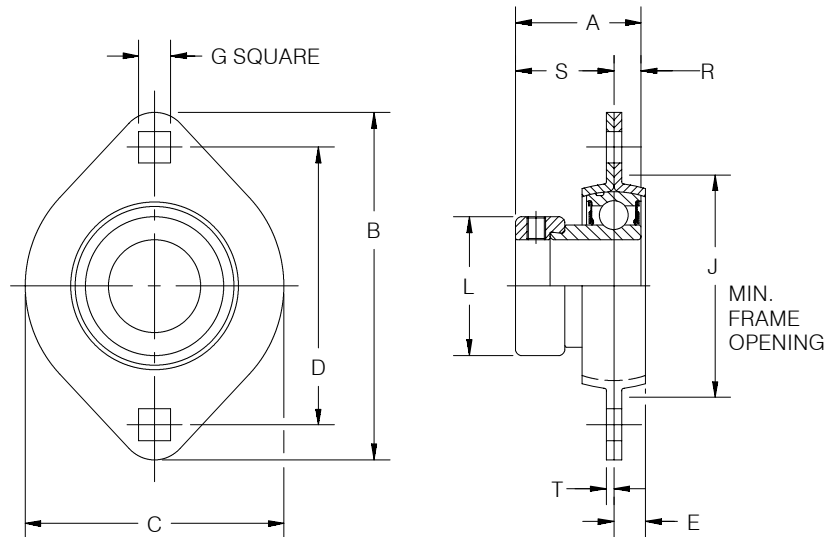
FEATURE/BENEFITS ECCENTRIC COLLAR BALL BRGS PAGE B3-2	HOW TO ORDER/ NOMENCLATURE PAGE B3-4	SELECTION PAGE B3-5	DIMENSIONS SXV INSERTS PAGE B3-70
---	--	------------------------	---

SELECTION/DIMENSIONS



Eccentric Collar Ball Bearings

SLX LIGHT DUTY 2-BOLT FLANGE BEARINGS



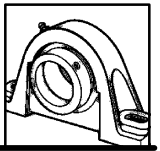
Series	Shaft Size	Part Number	Description	Weight lbs.	A	B	C	D	E
203	1/2 5/8	@ @	F2B-SLX-008 F2B-SLX-1010	0.51 0.48	1-1/8	3-3/16	2-5/16	2-1/2	9/32
204	3/4	128137	F2B-SLX-012	0.61	1-7/32	3-9/16	2-5/8	2-13/16	5/16
205	7/8 15/16 1	128138 128139 128140	F2B-SLX-014 F2B-SLX-015 F2B-SLX-100	0.79 0.76 0.73	1-7/32	3-3/4	2-51/64	3	11/32
206	1-1/8 1-3/16 1-1/4	128141 128142 128143	F2B-SLX-102 F2B-SLX-103 F2B-SLX-104S	1.14 1.12 1.10	1-13/32	4-7/16	3-5/16	3-9/16	11/32
207	1-1/4 1-3/8 1-7/16	128186 128187 128188	F2B-SLX-104 F2B-SLX-106 F2B-SLX-107	1.54 1.50 1.48	35-23/32	4-15/16	3-11/16	3-15/16	7/16

@ Assembled to order

Series	Shaft Size	G*	J	L	R	S	T	Housing Radial Load Rating (lbs.)
203	1/3 5/8	9/32	1-15/16	1-1/8	1/4	7/8	0.075	600
204	3/4	11/32	2-3/16	1-5/16	0.295	0.924	0.083	700
205	7/8 15/16 1	11/32	2-3/8	1-1/2	0.458	0.761	0.083	800
206	1-1/8 1-3/16 1-1/4	13/32	2-13/16	1-3/4	0.354	1.052	0.104	1,100
207	1-1/4 1-3/8 1-7/16	13/32	3-3/16	44-9/20	8.998	26.721	0.104	1,400

Mounting bolt holes will accept either carriage or machine bolts.

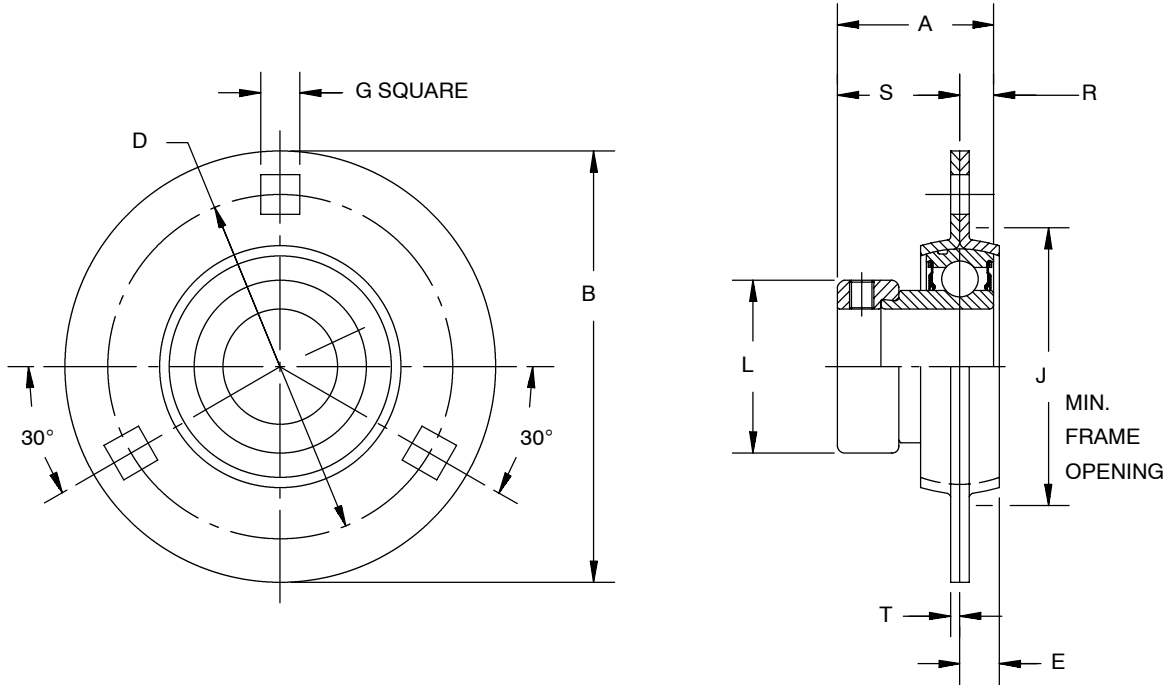
FEATURE/BENEFITS ECCENTRIC COLLAR BALL BRGS PAGE B3-2	HOW TO ORDER/ NOMENCLATURE PAGE B3-4	SELECTION PAGE B3-5	DIMENSIONS SXV INSERTS PAGE B3-70
---	--	------------------------	---



SELECTION/DIMENSIONS

Eccentric Collar Ball Bearings

SLX LIGHT DUTY 3-BOLT FLANGE BEARINGS

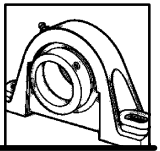


Series	Shaft Size	Part Number	Description	Weight lbs.	A	B	D	E
204	3/4	128144	F3B-SLX-012	0.63	1-7/32	3-9/16	2-13/16	5/16
205	7/8 15/16 1	128145	F3B-SLX-014	0.81	1-7/32	3-3/4	3	11/32
		128146	F3B-SLX-015	0.78				
		128147	F3B-SLX-100	0.75				
206	1-1/8 1-3/16 1-1/4	128148	F3B-SLX-102	1.16	1-13/32	4-7/16	3-9/16	11/32
		128149	F3B-SLX-103	1.14				
		128150	F3B-SLX-104S	1.12				
207	1-1/4 1-3/8 1-7/16	128189	F3B-SLX-104	1.56	35-23/32	4-15/16	3-15/16	7/16
		128190	F3B-SLX-106	1.52				
		128191	F3B-SLX-107	1.50				

Series	Shaft Size	G*	J	L	R	S	T	Housing Radial Load Rating (lbs.)
204	3/4	11/32	2-3/16	1-5/16	0.295	0.924	0.083	700
205	7/8 15/16 1	11/32	2-3/8	1-1/2	0.458	0.761	0.083	800
206	1-1/8 1-3/16 1-1/4	13/32	2-13/16	1-3/4	0.354	1.052	0.104	1,100
207	1-1/4 1-3/8 1-7/16	13/32	3-3/16	44-9/20	8.998	26.721	0.104	1,400

*Mounting bolt holes will accept either carriage or machine bolts.

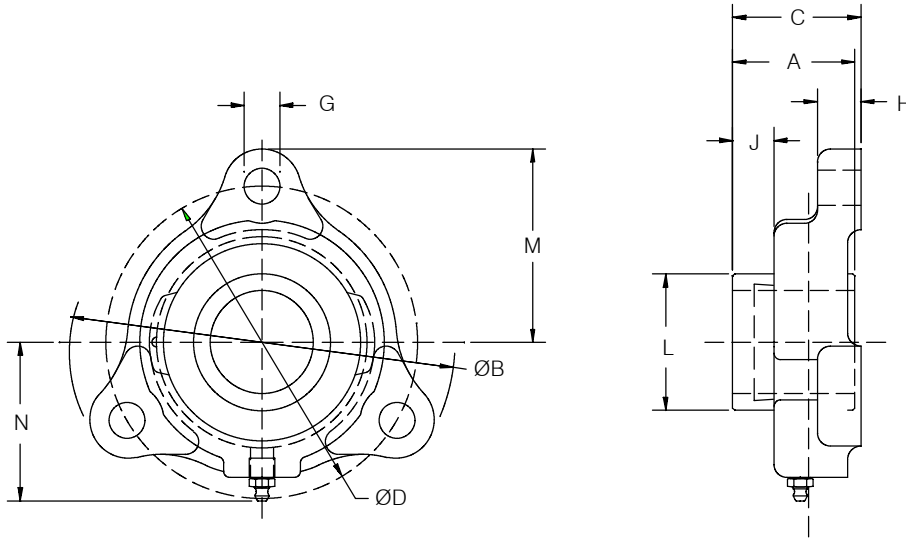
FEATURE/BENEFITS ECCENTRIC COLLAR BALL BRGS PAGE B3-2	HOW TO ORDER/ NOMENCLATURE PAGE B3-4	SELECTION PAGE B3-5	DIMENSIONS SXV INSERTS PAGE B3-70
---	--	------------------------	---



SELECTION/DIMENSIONS

Eccentric Collar Ball Bearings

SXV LF NORMAL DUTY 3-BOLT FLANGE BEARINGS

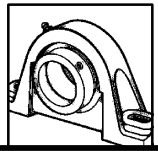


Series	Shaft Size	Standard		Sealed For Life	
		Part Number	Description	Part Number	Description
203	1/2	@	LF-SXV-008	@	LF-SXV-008-NL
	5/8	@	LF-SXV-010	@	LF-SXV-010-NL
	17mm	@	LF-SXV-17M	@	LF-SXV-17M-NL
204	3/4	@	LF-SXV-012	@	LF-SXV-012-NL
	20mm	@	LF-SXV-20M	@	LF-SXV-20M-NL
205	7/8	@	LF-SXV-014	@	LF-SXV-014-NL
	15/16	@	LF-SXV-015	@	LF-SXV-015-NL
	1	124591	LF-SXV-100	@	LF-SXV-100-NL
	25mm	@	LF-SXV-25M	@	LF-SXV-25M-NL
206	1-1/16	@	LF-SXV-101	@	LF-SXV-101-NL
	1-1/8	@	LF-SXV-102	@	LF-SXV-102-NL
	1-3/16	124590	LF-SXV-103	@	LF-SXV-103-NL
	1-1/4	124609	LF-SXV-104S	124634	LF-SXV-104S-NL
	30mm	@	LF-SXV-30M	@	LF-SXV-30M-NL
207	1-1/4	@	LF-SXV-104	@	LF-SXV-104-NL
	1-5/16	@	LF-SXV-105	@	LF-SXV-105-NL
	1-3/8	053763	LF-SXV-106	@	LF-SXV-106-NL
	1-7/16	050420	LF-SXV-107	@	LF-SXV-107-NL
	35mm	@	LF-SXV-35M	@	LF-SXV-35M-NL

@ Assembled to order

FEATURE/BENEFITS ECCENTRIC COLLAR BALL BRGS PAGE B3-2	HOW TO ORDER/ NOMENCLATURE PAGE B3-4	SELECTION PAGE B3-5	DIMENSIONS SXR INSERTS PAGE B3-70
---	--	------------------------	---

SELECTION/DIMENSIONS



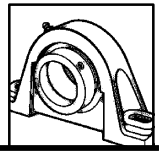
Eccentric Collar Ball Bearings

SXV LF NORMAL DUTY 3-BOLT FLANGE BEARINGS

Series	Shaft Size	Weight lbs. kg	A	B	C	D	G	H	J	L	M	N
203	1/2	0.63	1-1/8	3-3/16	1-1/16	2-1/2	19/64	3/8	11/32	1-1/8	1-19/32	1-27/32
	5/8 17mm	0.60 0.3	28.6	81.0	27.0	63.5	7.5	9.5	8.7	28.6	40.5	46.8
204	3/4	0.77	1-7/32	3-9/16	1-7/32	2-13/16	23/64	27/64	3/8	1-5/16	1-25/32	1-37/64
	20mm	0.4	31.0	90.5	31.0	71.4	9.1	10.7	9.5	33.3	45.2	40.1
205	7/8	0.92	1-7/32	3-3/4	1-1/4	3	11/32	27/64	13/32	1-1/2	1-7/8	1-45/64
	15/16 1 25mm	0.89 0.86 0.4	31.0	95.3	31.8	76.2	8.7	10.7	10.3	38.1	47.6	43.3
206	1-1/16	1.53	1-13/32	4-7/16	1-15/32	3-9/16	13/32	15/32	17/32	1-3/4	2-7/32	2-1/64
	1-1/8	1.50										
	1-3/16	1.47										
	1-1/4 30mm	1.44 0.7	35.7	112.7	37.3	90.5	10.3	11.9	13.5	44.5	56.4	51.2
207	1-1/4	1.92	1-17/32	4-13/16	1-19/32	3-15/16	13/32	1.2	17/32	2-1/5	2-13/32	2-9/64
	1-5/16	1.89										
	1-3/8	1.86										
	1-7/16 35mm	1.83 0.8	38.9	122.2	40.5	100.0	10.3	12.7	13.5	54.0	61.1	54.4

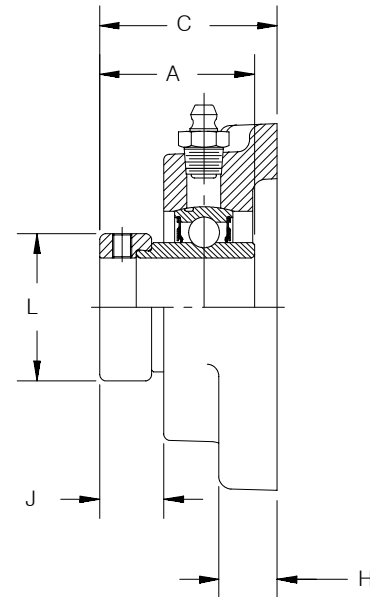
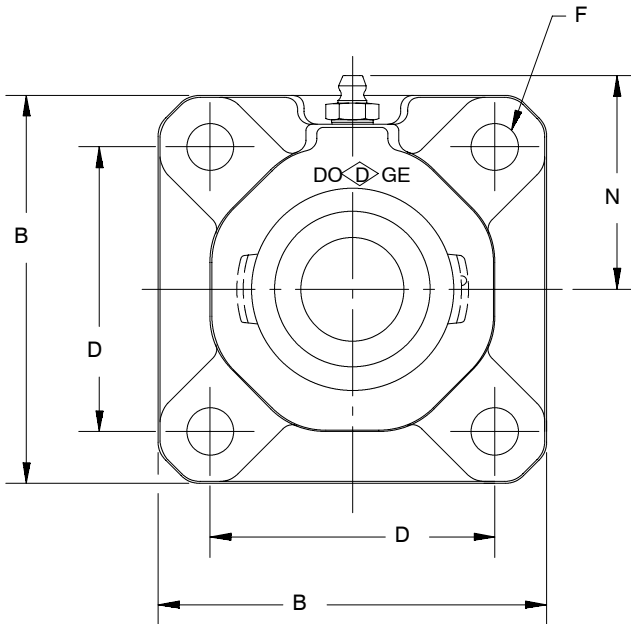
MODIFICATIONS PAGE B3-74	RELATED PRODUCTS PAGE B3-75		
-----------------------------	--------------------------------	--	--

SELECTION/DIMENSIONS



Eccentric Collar Ball Bearings

SXR NORMAL DUTY 4-BOLT FLANGE BEARINGS



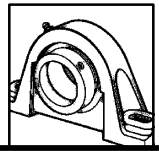
Series	Shaft Size	Part Number	Description
203	1/2	131100	F4B-SXR-008
	5/8	131102	F4B-SXR-010
	17mm	125666	F4B-SXR-17M
204	3/4	131104	F4B-SXR-012
	20mm	125667	F4B-SXR-20M
205	7/8	131106	F4B-SXR-014
	15/16	131107	F4B-SXR-015
	1	131108	F4B-SXR-100
	25mm	125668	F4B-SXR-25M
206	1-1/16	131109	F4B-SXR-101
	1-1/8	131110	F4B-SXR-102
	1-3/16	131111	F4B-SXR-103
	1-1/4	@	F4B-SXR-104S
	30mm	125669	F4B-SXR-30M
207	1-1/4	131113	F4B-SXR-104
	1-5/16	131114	F4B-SXR-105
	1-3/8	131115	F4B-SXR-106
	1-7/16	131116	F4B-SXR-107
	35mm	125670	F4B-SXR-35M

Series	Shaft Size	Part Number	Description
208	1-1/2	131117	F4B-SXR-108
	40mm	125671	F4B-SXR-40M
209	1-5/8	131120	F4B-SXR-110
	1-11/16	131121	F4B-SXR-111
	1-3/4	131122	F4B-SXR-112
	45mm	125672	F4B-SXR-45M
210	1-15/16	131125	F4B-SXR-115
	2	131127	F4B-SXR-200
	50mm	125673	F4B-SXR-50M
211	2	131343	F4B-SXR-200L
	2-3/16	131130	F4B-SXR-203
	55mm	125674	F4B-SXR-55M
212	2-1/4	131132	F4B-SXR-204
	2-7/16	131135	F4B-SXR-207
	60mm	125675	F4B-SXR-60M
215	2-15/16	131137	F4B-SXR-215
	75mm	125676	F4B-SXR-75M

@ Assembled to order

FEATURE/BENEFITS ECCENTRIC COLLAR BALL BRGS PAGE B3-2	HOW TO ORDER/ NOMENCLATURE PAGE B3-4	SELECTION PAGE B3-5	
---	--	------------------------	--

SELECTION/DIMENSIONS



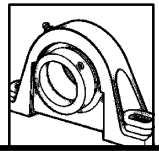
Eccentric Collar Ball Bearings

SXR NORMAL DUTY 4-BOLT FLANGE BEARINGS

Series	Shaft Size	Weight lbs	A	B	C	D	F Bolt Dia.	H	J	L	N
203	1/2	1.2	1-1/8	3	1-19/32	2-1/8	3/8	33/64	39/64	1-1/8	1-37/64
	5/8	1.1									
	17mm	0.5	28.6	76.2	40.5	54.0	M10	13.1	15.5	28.6	40.1
204	3/4	1.6	1-23/32	3-3/8	1-51/64	2-1/2	3/8	19/32	41/64	1-5/16	2-1/32
	20mm	0.8	43.7	85.7	45.6	63.5	M10	15.1	16.3	33.3	51.6
205	7/8	2.3	1-3/4	3-3/4	1-13/16	2-3/4	7/16	19/32	21/32	1-1/2	2-1/8
	15/16	2.2									
	1	2.1									
	25mm	0.9	44.5	95.3	46.0	69.9	M10	15.1	16.7	38.1	54.0
206	1-1/16	3.1	1-29/32	4-1/4	1-63/64	3-1/4	7/16	5/8	47/64	1-3/4	2-5/32
	1-1/8	3.0									
	1-3/16	2.9									
	1-1/4	2.8									
	30mm	1.3	48.4	108.0	50.4	82.6	M10	15.9	18.7	44.5	54.8
207	1-1/4	4.2	2-1/64	4-5/8	2-7/64	3-5/8	1/2	41/64	25/32	2-1/8	2-13/32
	1-5/16	4.1									
	1-3/8	4.0									
	1-7/16	3.9									
	35mm	1.8	51.2	117.5	53.6	92.1	M12	16.3	19.8	54.0	61.1
208	1-1/2	5.1	2-7/32	5-1/8	2-21/64	4	1/2	21/32	25/32	2-3/8	2-19/32
	40mm	2.3	56.4	130.2	59.1	101.6	M12	16.7	19.8	60.3	65.9
209	1-5/8	6.4	2-7/32	5-3/8	2-9/32	4-1/8	1/2	21/32	25/32	2-1/2	2-45/64
	1-11/16	6.2									
	1-3/4	6.0									
	45mm	2.7	56.4	136.5	57.9	104.8	M12	16.7	19.8	64.1	68.7
210	1-15/16	7.0	2-15/32	5-5/8	2-19/32	4-3/8	5/8	25/32	53/64	2-3/4	2-51/64
	2	6.8									
	50mm	3.1	62.7	142.9	65.9	111.1	M16	19.8	21.0	69.9	71.0
211	2	10.2	2-13/16	6-3/8	2-15/16	5-1/8	5/8	13/16	1-1/32	3	3-9/64
	2-3/16	9.7									
	55mm	4.4	71.4	161.9	74.6	130.2	M16	20.6	26.2	76.2	79.8
212	2-1/4	11.8	3-1/16	6-7/8	3-3/16	5-5/8	5/8	13/16	1-3/32	3-5/16	3-15/64
	2-7/16	11.3									
	60mm	6.0	77.8	174.6	81.0	142.9	M16	20.6	27.8	84.1	82.2
215	2-15/16	18.2	6-5/8	7-3/4	3-25/32	6	3/4	15/16	1-19/64	4	3-45/64
	75mm	8.2	168.3	196.9	96.0	152.4	M16	23.8	32.9	101.6	94.1

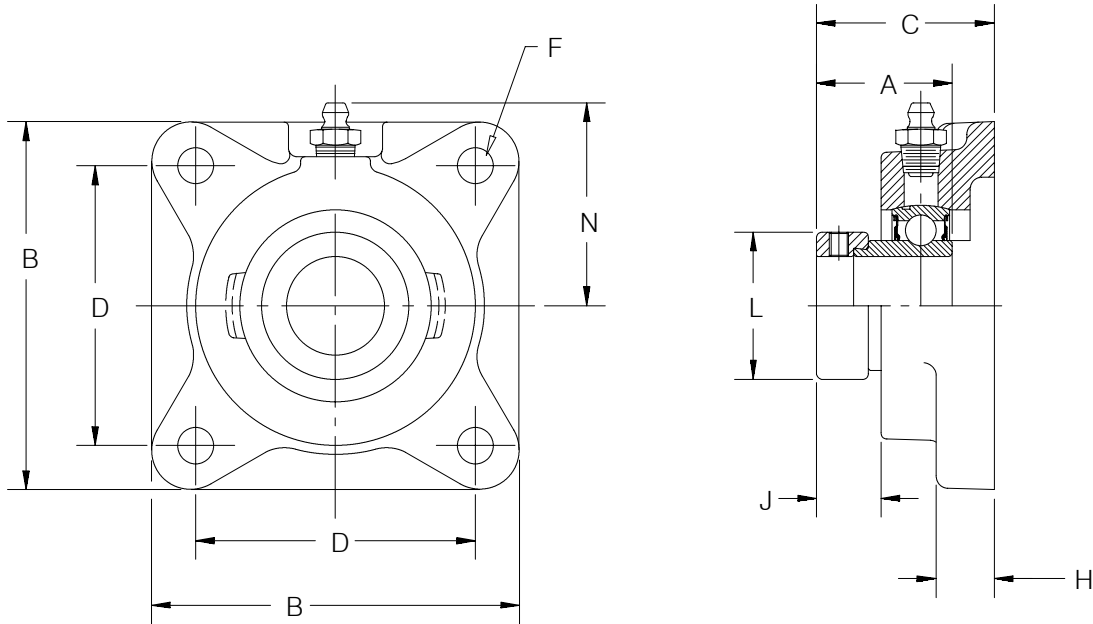
DIMENSIONS SXR INSERTS PAGE B3-70	MODIFICATIONS PAGE B3-74	RELATED PRODUCTS PAGE B3-75	
---	-----------------------------	--------------------------------	--

SELECTION/DIMENSIONS



Eccentric Collar Ball Bearings

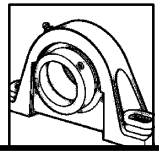
SXV INTERMEDIATE DUTY 4-BOLT FLANGE BEARINGS



Series	Shaft Size	Part Number	Description	Weight lbs kg.	A	B	C	D	F Bolt Dia.	H	J	L	N
203	1/2	130332	F4B-SXV-008	1.1	1-1/8	3	1-3/16	2-1/8	3/8	7/16	9/16	1-1/8	1-11/16
	5/8	130333	F4B-SXV-010	1.0									
	17mm	125720	F4B-SXV-17M	0.5	28.6	76.2	30.2	54.0	M10	11.1	14.3	28.6	43.3
204	3/4	131377	F4B-SXV-012	1.7	1-7/32	3-3/8	1-3/8	2-1/2	3/8	7/16	37/64	1-5/16	1-15/16
	20mm	125721	F4B-SXV-20M	0.7	31.0	85.7	34.9	63.5	M10	11.1	14.7	33.3	49.7
205	7/8	131378	F4B-SXV-014	2.3	1-7/32	3-3/4	1-23/64	2-3/4	7/16	1/2	35/64	1-1/2	2-1/16
	15/16	131379	F4B-SXV-015	2.2									
	1	131380	F4B-SXV-100	2.0									
	25mm	125722	F4B-SXV-25M	0.9	31.0	95.3	34.5	69.9	M10	12.7	13.9	38.1	52.4
206	1-1/16	131381	F4B-SXV-101	3.4	1-13/32	4-1/4	1-17/32	3-1/4	7/16	1/2	39/64	1-3/4	2-3/16
	1-1/8	131382	F4B-SXV-102	3.3									
	1-3/16	131383	F4B-SXV-103	3.2									
	1-1/4	131384	F4B-SXV-104S	3.0									
	30mm	125732	F4B-SXV-30M	1.4	35.7	108.0	38.9	82.6	M10	12.7	15.5	44.5	55.6
207	1-1/4	131385	F4B-SXV-104	4.6	1-17/32	4-3/4	1-3/4	3-5/8	1/2	9/16	21/32	2-1/8	2-7/16
	1-5/16	131386	F4B-SXV-105	4.5									
	1-3/8	131387	F4B-SXV-106	4.3									
	1-7/16	131388	F4B-SXV-107	4.2									
	35mm	125734	F4B-SXV-35M	1.9	38.9	120.7	44.5	92.1	M12	14.3	16.7	54.0	61.9
208	1-1/2	131389	F4B-SXV-108	5.0	1-23/32	5-1/8	1-7/8	4	1/2	9/16	23/32	2-3/8	2-3/8
	40mm	125725	F4B-SXV-17M	2.2	43.7	130.2	47.6	101.6	M12	14.3	18.3	60.3	60.9
209	1-11/16	130334	F4B-SXV-111	6.2	1-23/32	5-3/8	1-15/16	4-1/8	1/2	5/8	11/16	2-1/2	2-3/4
	1-3/4	130335	F4B-SXV-112	6.0									
	45mm	125726	F4B-SXV-45M	2.7	43.7	136.5	49.2	104.8	M14	15.9	17.5	63.5	70.5
210	1-15/16	130336	F4B-SXV-115	7.0	1-23/32	5-5/8	2	4-3/8	1/2	5/8	21/32	2-3/4	2-7/8
	2	130337	F4B-SXV-200	6.8									
	50mm	125727	F4B-SXV-50M	3.2	43.7	142.9	50.8	111.1	M16	15.9	16.7	69.9	73.7
211	2	130338	F4B-SXV-200L	10.0	1-29/32	6-1/2	2-5/32	5-1/8	5/8	11/16	25/32	3	3-1/4
	2-3/16	130339	F4B-SXV-203	9.7									
	55mm	125728	F4B-SXV-55M	4.3	48.4	165.1	54.8	130.2	M16	17.5	19.8	76.2	83.3

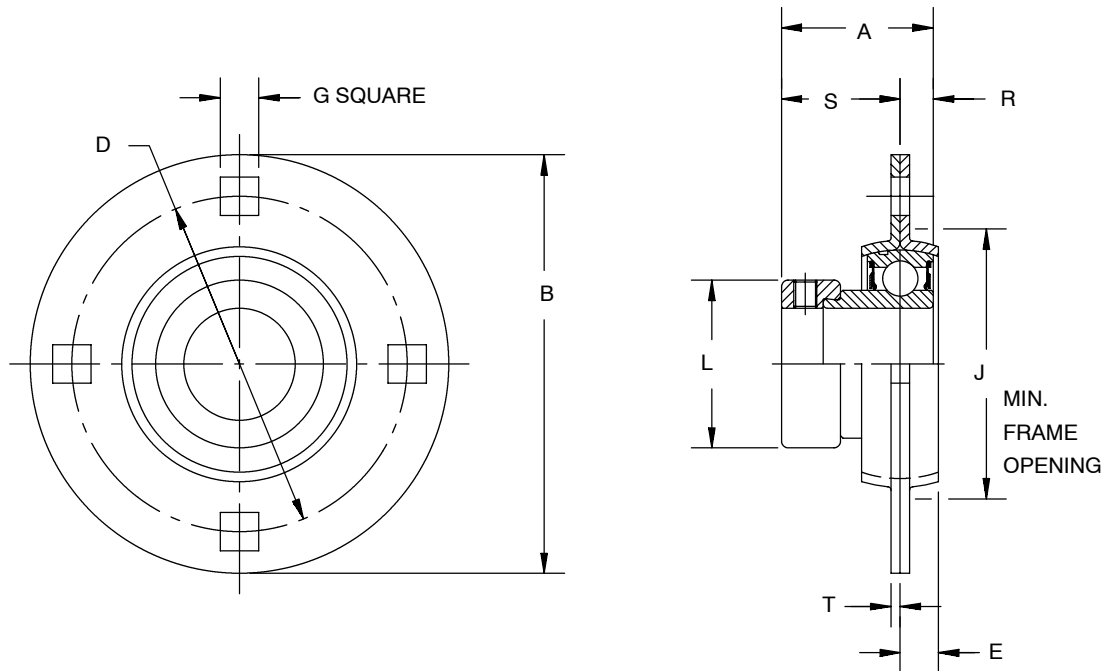
FEATURE/BENEFITS ECCENTRIC COLLAR BALL BRGS PAGE B3-2	HOW TO ORDER/ NOMENCLATURE PAGE B3-4	SELECTION PAGE B3-5	DIMENSIONS SXV INSERTS PAGE B3-70
---	--	------------------------	---

SELECTION/DIMENSIONS



Eccentric Collar Ball Bearings

SLX LIGHT DUTY 4-BOLT FLANGE BEARINGS



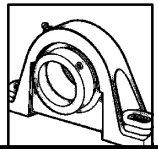
Series	Shaft Size	Part Number	Description	Weight lbs.	A	B	D	E
208	1-1/2	128192	F4B-SLX-108	3.00	1-23/32	5-13/16	4-11/16	13/32
210	1-15/16 2	128193	F4B-SLX-115	3.55	1-23/32	6-1/8	5	7/16
		128194	F4B-SLX-200	3.40				
211	2 2-3/16	128195	F4B-SLX-200L	4.64	1-29/32	6-9/16	5-7/16	15/32
		128196	F4B-SLX-203	4.35				

Series	Shaft Size	G*	J	L	R	S	T	Housing Radial Load Rating (lbs.)
208	1-1/2	17/32	3-9/16	2-3/8	0.433	1.286	0.134	1,700
210	1-15/16 2	17/32	4	2-3/4	0.433	1.286	0.149	1,900
211	2 2-3/16	17/32	4-7/16	3	0.468	1.438	0.149	2,300

*Mounting bolt holes will accept either carriage or machine bolts.

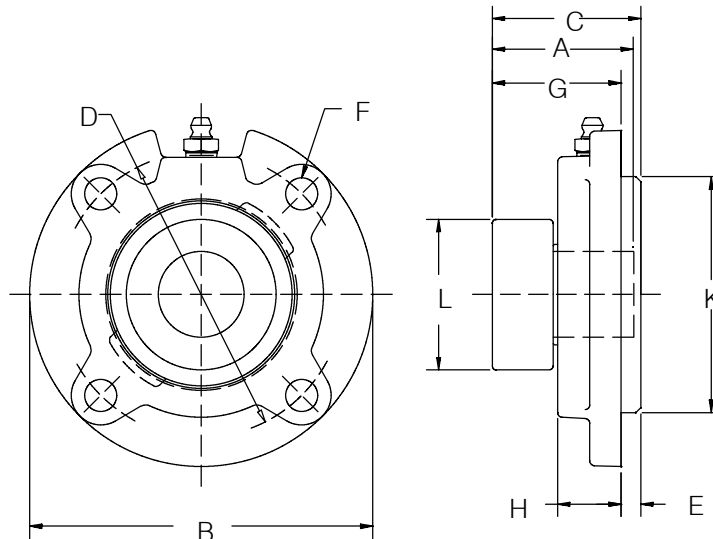
FEATURE/BENEFITS ECCENTRIC COLLAR BALL BRGS PAGE B3-2	HOW TO ORDER/ NOMENCLATURE PAGE B3-4	SELECTION PAGE B3-5	DIMENSIONS SXV INSERTS PAGE B3-70
---	--	------------------------	---

SELECTION/DIMENSIONS



Eccentric Collar Ball Bearings

SXR NORMAL DUTY PILOTED FLANGE BEARINGS

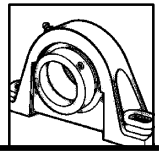


Series	Shaft Size	Part Number	Description
206	1-1/16	@	FC-SXR-101
	1-1/8	@	FC-SXR-102
	1-3/16	@	FC-SXR-103
	1-1/4	@	FC-SXR-104S
	30mm	130838	FC-SXR-30M
207	1-1/4	@	FC-SXR-104
	1-5/16	@	FC-SXR-105
	1-3/8	@	FC-SXR-106
	1-7/16	@	FC-SXR-107
	35mm	130839	FC-SXR-35M
208	1-1/2 40mm	@ 130840	FC-SXR-108 FC-SXR-40M
209	1-5/8	@	FC-SXR-110
	1-11/16	@	FC-SXR-111
	1-3/4	@	FC-SXR-112
	45mm	130841	FC-SXR-45M
210	1-15/16	@	FC-SXR-115
	2	@	FC-SXR-200
	50mm	130842	FC-SXR-50M
211	2	052959	FC-SXR-200L
	2-3/16	@	FC-SXR-203
	55mm	@	FC-SXR-55M
212	2-1/4	@	FC-SXR-204
	2-7/16	052567	FC-SXR-207
	60mm	130843	FC-SXR-60M

@Assembled to order

FEATURE/BENEFITS ECCENTRIC COLLAR BALL BRGS PAGE B3-2	HOW TO ORDER/ NOMENCLATURE PAGE B3-4	SELECTION PAGE B3-5	DIMENSIONS SXV INSERTS PAGE B3-70
---	--	------------------------	---

SELECTION/DIMENSIONS



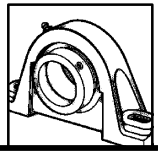
Eccentric Collar Ball Bearings

SXR NORMAL DUTY PILOTED FLANGE BEARINGS

Series	Shaft Size	Weight lbs kg	A	B	C	D	E	F Bolt Dia.	G	H	K*	L
206	1-1/16	3.4	1-29/32	4-3/8	1-25/32	3-5/8	1/4	3/8	1-17/32	13/16	3	1-3/4
	1-1/8	3.4										
	1-3/16	3.2										
	1-1/4	3.1										
	30mm	1.4										
207	1-1/4	4.6	2-1/64	5	2	4-1/8	3/8	3/8	1-41/64	27/32	3-3/8	2-1/8
	1-5/16	4.5										
	1-3/8	4.3										
	1-7/16	4.2										
	35mm	1.9										
208	1-1/2	5.1	2-7/32	5-1/4	2-11/64	4-3/8	7/16	7/16	1-47/64	57/64	3-5/8	2-3/8
	40mm	2.2										
209	1-5/8	6.1	2-7/32	5-3/4	2-9/64	4-3/4	7/16	1/2	1-45/64	29/32	4	2-1/2
	1-11/16	5.9										
	1-3/4	5.9										
	45mm	2.6										
210	1-15/16	7.1	2-15/32	6-1/8	2-19/64	5-1/8	15/32	1/2	1-53/64	59/64	4-1/4	2-3/4
	2	6.9										
	50mm	3.2										
211	2	8.4	2-13/16	6-3/8	2-23/32	5-3/8	5/8	1/2	2-3/32	1	4-1/2	3
	2-3/16	8.1										
	55mm	3.7										
212	2-1/4	10.7	3-1/16	7-1/8	2-63/64	6	7/8	1/2	2-7/64	1	5	3-5/16
	2-7/16	10.5										
	60mm	4.9										

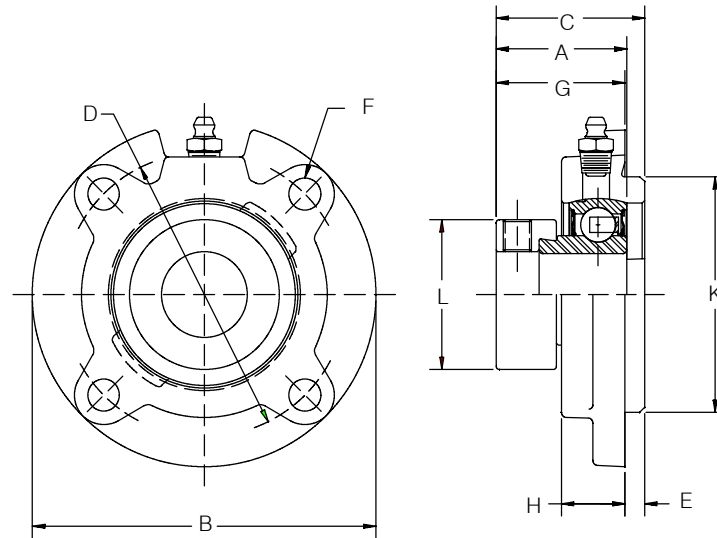
FEATURE/BENEFITS ECCENTRIC COLLAR BALL BRGS PAGE B3-2	HOW TO ORDER/ NOMENCLATURE PAGE B3-4	SELECTION PAGE B3-5	DIMENSIONS SXV INSERTS PAGE B3-70
---	--	------------------------	---

SELECTION/DIMENSIONS



Eccentric Collar Ball Bearings

SXV INTERMEDIATE DUTY PILOTED FLANGE BEARINGS

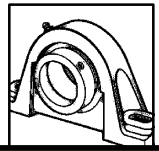


Series	Shaft Size	Part Number	Description
206	1-1/16	@	FC-SXV-101
	1-1/8	@	FC-SXV-102
	1-3/16	@	FC-SXV-103
	1-1/4	@	FC-SXV-104S
	30mm	130788	FC-SXV-30M
207	1-1/4	@	FC-SXV-104
	1-5/16	@	FC-SXV-105
	1-3/8	@	FC-SXV-106
	1-7/16	@	FC-SXV-107
	35mm	130789	FC-SXV-35M
208	1-1/2 40mm	@ 130790	FC-SXV-108 FC-SXV-40M
209	1-11/16	@	FC-SXV-111
	1-3/4	@	FC-SXV-112
	45mm	130791	FC-SXV-45M
210	1-15/16	@	FC-SXV-115
	2	@	FC-SXV-200
	50mm	130792	FC-SXV-50M
211	2	@	FC-SXV-200L
	2-3/16	@	FC-SXV-203
	55mm	@	FC-SXV-55M

@ Assembled to order.

FEATURE/BENEFITS ECCENTRIC COLLAR BALL BRGS PAGE B3-2	HOW TO ORDER/ NOMENCLATURE PAGE B3-4	SELECTION PAGE B3-5	DIMENSIONS SXV INSERTS PAGE B3-70
---	--	------------------------	---

SELECTION/DIMENSIONS



Eccentric Collar Ball Bearings

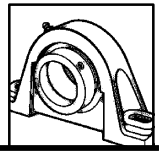
SXV INTERMEDIATE DUTY PILOTED FLANGE BEARINGS

Series	Shaft Size	Weight lbs kg	A	B	C	D	E	F Bolt Dia.	G	H	K*	L
206	1-1/16	3.2	1-13/32	4-3/8	1-41/64	3-5/8	1/4	3/8	1-25/64	13/16	3	1-3/4
	1-1/8	3.1										
	1-3/16	3.0										
	1-1/4	2.9										
	30mm	1.3	35.7	111.1	41.8	92.1	6.4	M10	35.5	20.6	76.2	44.5
207	1-1/4	4.2	1-17/32	5	1-57/64	4-1/8	3/8	3/8	1-33/64	27/32	3-3/8	2-1/8
	1-5/16	4.1										
	1-3/8	4.0										
	1-7/16	3.9										
	35mm	1.8	38.9	127.0	48.0	104.8	9.5	M10	38.5	21.4	85.7	54.0
208	1-1/2	4.6	1-23/32	5-1/4	2-5/64	4-3/8	7/16	7/16	1-41/64	57/64	3-5/8	2-3/8
	40mm	2.0	43.7	133.4	52.9	111.1	11.1	M12	41.8	22.6	92.1	60.3
209	1-11/16	5.5	1-23/32	5-3/4	2-3/64	4-3/4	7/16	1/2	1-39/64	29/32	4	2-1/2
	1-3/4	5.4										
	45mm	2.4	43.7	146.1	52.1	120.7	11.1	M12	41.0	23.0	101.6	63.5
210	1-15/16	6.4	1-23/32	6-1/8	2-5/64	5-1/8	15/32	1/2	1-39/64	59/64	4-1/4	2-3/4
	2	6.3										
	50mm	2.9	43.7	155.6	52.9	130.2	11.9	M12	41.0	23.4	108.0	69.9
211	2	7.3	1-29/32	6-3/8	2-7/16	5-3/8	5/8	1/2	1-13/16	1	4-1/2	3
	2-3/16	7.2										
	55mm	3.3	48.4	161.9	61.9	136.5	15.9	M12	46.1	25.4	114.3	76.2

* +0.000" - 0.002"

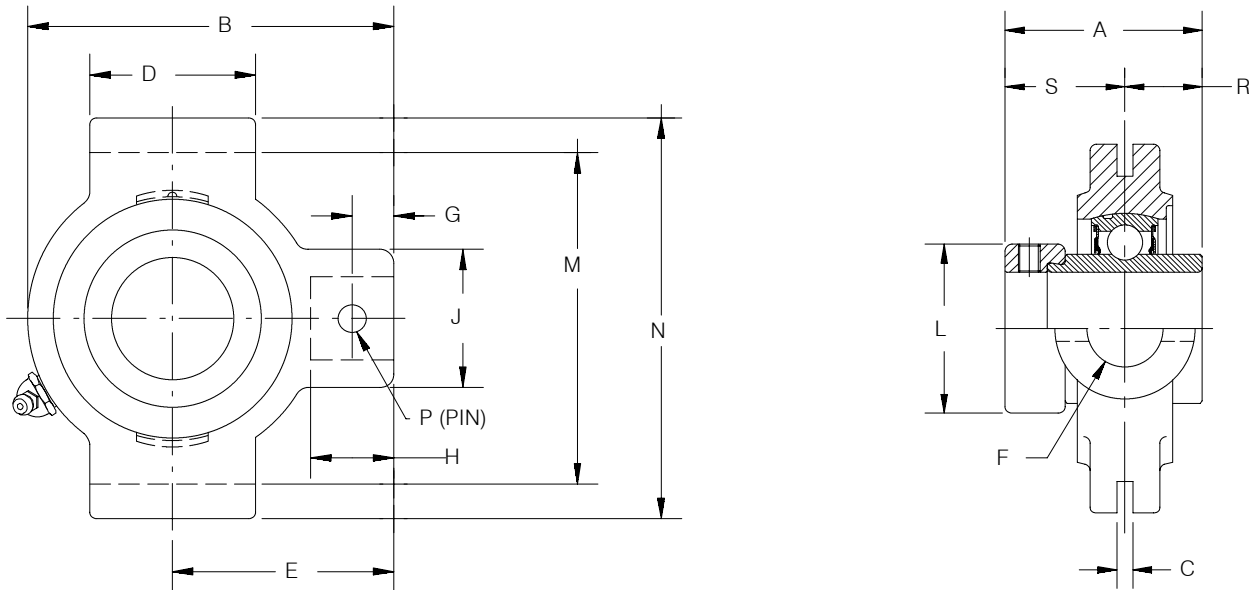
FEATURE/BENEFITS ECCENTRIC COLLAR BALL BRGS PAGE B3-2	HOW TO ORDER/ NOMENCLATURE PAGE B3-4	SELECTION PAGE B3-5	DIMENSIONS SXV INSERTS PAGE B3-70
---	--	------------------------	---

SELECTION/DIMENSIONS



Eccentric Collar Ball Bearings

SXR NORMAL DUTY NARROW SLOT TAKE-UP BEARINGS

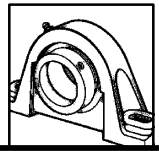


Series	Shaft Size	Part Number	Description
204	3/4	131154	NSTU-SXR-012
205	7/8	131156	NSTU-SXR-014
	15/16	131157	NSTU-SXR-015
	1	131158	NSTU-SXR-100
206	1-1/16	131159	NSTU-SXR-101
	1-1/8	131160	NSTU-SXR-102
	1-3/16	131161	NSTU-SXR-103
	1-1/4		
207	1-1/4	131163	NSTU-SXR-104
	1-5/16	131164	NSTU-SXR-105
	1-3/8	131165	NSTU-SXR-106
	1-7/16	131166	NSTU-SXR-107
208	1-1/2	131167	NSTU-SXR-108
209	1-5/8	131170	NSTU-SXR-110
	1-11/16	131171	NSTU-SXR-111
	1-3/4	131172	NSTU-SXR-112
210	1-15/16	131175	NSTU-SXR-115
	2	131177	NSTU-SXR-200
211	2	@	NSTU-SXR-200L
	2-3/16	131180	NSTU-SXR-203
212	2-1/4	131182	NSTU-SXR-204
	2-7/16	131185	NSTU-SXR-207

@ Assembled to order.

FEATURE/BENEFITS ECCENTRIC COLLAR BALL BRGS PAGE B3-2	HOW TO ORDER/ NOMENCLATURE PAGE B3-4	SELECTION PAGE B3-5	DIMENSIONS SXR INSERTS PAGE B3-70
---	--	------------------------	---

SELECTION/DIMENSIONS



Eccentric Collar Ball Bearings

SXR NORMAL DUTY NARROW SLOT TAKE-UP BEARINGS

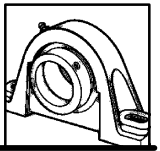
Series	Shaft Size	Weight lbs.	Take-Up Frame No. Ref.	A	B	C*	D	E	F Screw Dia.	G
204	3/4	1.5	NS210	1-23/32	3-1/2	1/4	1-1/2	2-3/16	3/4	7/16
205	7/8	1.7	NS210	1-3/4	3-9/16	1/4	1-1/2	2-3/16	3/4	7/16
	15/16	1.6								
206	1	1.5	NS308	1-29/32	4-5/16	1/4	2-1/2	2-11/16	3/4	1/2
	1-1/16	2.9								
	1-1/8	2.8								
	1-3/16	2.6								
207	1-1/4	3.0	NS308	2-1/64	4-1/2	1/4	2-1/2	2-11/16	3/4	1/2
	1-5/16	2.8								
	1-3/8	2.7								
	1-7/16	2.5								
208	1-1/2	5.0	NS400	2-7/32	5-3/8	5/16	3	3-1/4	7/8	21/32
209	1-5/8	5.4	NS400	2-7/32	5-7/16	5/16	3	3-1/4	7/8	23/32
	1-11/16	5.2								
	1-3/4	5.0								
210	1-15/16	5.7	NS400	2-15/32	5-1/2	5/16	3	3-1/4	7/8	21/32
	2	5.3								
211	2	7.4	NS407	2-13/16	6-1/8	5/16	3-1/2	3-5/8	1	11/16
	2-3/16	7.2								
212	2-1/4	10.0	NS415	3-1/16	6-11/16	5/16	3-3/4	3-7/8	1	11/16
	2-7/16	9.0								

* + or - 0.015"

Series	Shaft Size	H	J	L	M**	N	P Pin Dia.	R	S
204	3/4	7/8	1-3/8	1-5/16	2-5/8	3-1/8	5/16	43/64	1-3/64
205	7/8	7/8	1-3/8	1-1/2	2-5/8	3-1/8	5/16	11/16	1-1/16
	15/16								
206	1	15/16	1-3/8	1-3/4	3-1/2	4-1/8	5/16	23/32	1-3/16
	1-1/16								
	1-1/4								
	1-1/8								
207	1-3/16	15/16	1-3/8	2-1/8	3-1/2	4-1/8	5/16	0.742	1.274
	1-1/4								
	1-5/16								
	1-3/8								
208	1-1/2	1-5/32	1-5/8	2-3/8	4	4-3/4	3/8	27/32	1-3/8
209	1-5/8	1-7/32	1-5/8	2-1/2	4	4-3/4	3/8	27/32	1-3/8
	1-11/16								
	1-3/4								
210	1-15/16	1-5/32	1-5/8	2-3/4	4	4-3/4	3/8	31/32	1-1/2
211	2	1-9/32	1-3/4	3	4-7/16	5-3/8	7/16	1-3/32	1-23/32
	2-3/16								
212	2-1/4	1-9/32	1-5/8	3-5/16	4-15/16	5-3/4	7/16	1-7/32	1-27/32
	2-7/16								

** -0.020 to +0.010"

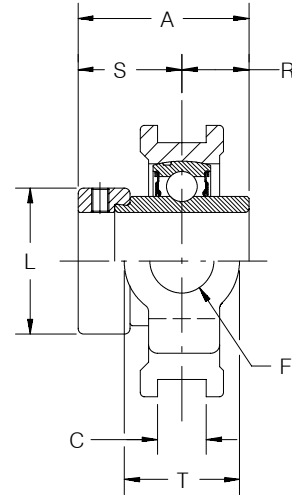
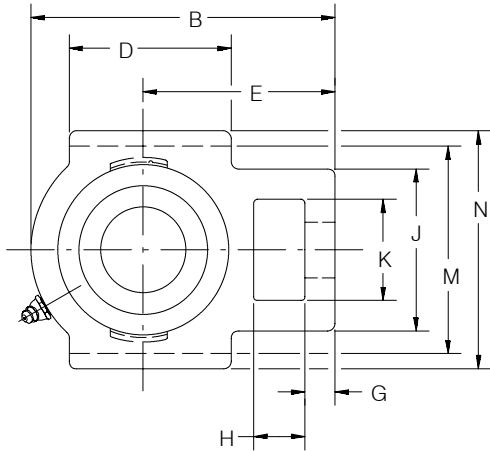
MODIFICATIONS PAGE B3-74	RELATED PRODUCTS PAGE B3-75	SELECTION/DIMENSIONS NARROW SLOT TAKE-UP FRAMES PAGE B13-8	
-----------------------------	--------------------------------	--	--



SELECTION/DIMENSIONS

Eccentric Collar Ball Bearings

SXR NORMAL DUTY WIDE SLOT TAKE-UP BEARINGS



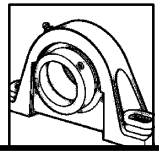
Series	Shaft Size	Part Number	Description
204	3/4 20mm	131204	WSTU-SXR-012
		130845	WSTU-SXR-20M
205	7/8 15/16 1 25mm	131206	WSTU-SXR-014
		131207	WSTU-SXR-015
		131208	WSTU-SXR-100
		130846	WSTU-SXR-25M
206	1-1/16 1-1/8 1-3/16 1-1/4 30mm	131209	WSTU-SXR-101
		131210	WSTU-SXR-102
		131211	WSTU-SXR-103
		@	WSTU-SXR-104S
		130847	WSTU-SXR-30M
207	1-1/4 1-5/16 1-3/8 1-7/16 35mm	131213	WSTU-SXR-104
		131214	WSTU-SXR-105
		131215	WSTU-SXR-106
		131216	WSTU-SXR-107
		130848	WSTU-SXR-35M
208	1-1/2 40mm	131217 130849	WSTU-SXR-108 WSTU-SXR-40M

Series	Shaft Size	Part Number	Description
209	1-5/8 1-11/16 1-3/4 45mm	131220	WSTU-SXR-110
		131221	WSTU-SXR-111
		131222	WSTU-SXR-112
		130850	WSTU-SXR-45M
210	1-15/16 2 50mm	131225	WSTU-SXR-115
		131227	WSTU-SXR-200
		130851	WSTU-SXR-50M
211	2 2-3/16 55mm	@	WSTU-SXR-200L
		131230 130852	WSTU-SXR-203 WSTU-SXR-55M
212	2-1/4 2-7/16 60mm	131232	WSTU-SXR-204
		131235 130853	WSTU-SXR-207 WSTU-SXR-60M
215	2-15/16 75mm	@ 130854	WSTU-SXR-215 WSTU-SXR-75M

@ Assembled to order. * + or - 0.015"

FEATURE/BENEFITS ECCENTRIC COLLAR BALL BRGS PAGE B3-2	HOW TO ORDER/ NOMENCLATURE PAGE B3-4	SELECTION PAGE B3-5	DIMENSIONS SXR INSERTS PAGE B3-70
---	--	------------------------	---

SELECTION/DIMENSIONS



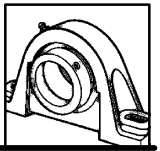
Eccentric Collar Ball Bearings

SXR NORMAL DUTY WIDE SLOT TAKE-UP BEARINGS

Series	Shaft Size	Weight lbs.	Take-Up Frame No. Ref.	A	B	C*	D	E	F Screw Dia.						
204	3/4 20mm	2.1	WS300	1-23/32	3-11/16	17/32	2	2-3/8	5/8						
		1.0		43.7	93.7	13.5		60.3		15.9					
205	7/8 15/16 1 25mm	2.3	WS300	1-3/4	3-13/16	17/32	2	2-7/16	5/8						
		2.2								44.5	96.8	13.5	50.8	61.9	15.9
		2.1													
		1.0													
206	1-1/16 1-1/8 1-3/16 1-1/4 30mm	3.1	WS308	1-29/32	4-3/8	17/32	2-1/4	2-3/4	3/4						
		2.9								48.4	111.1	13.5	57.2	69.9	19.1
		2.8													
		2.7													
		1.3													
207	1-1/4 1-5/16 1-3/8 1-7/16 35mm	3.8	WS308	2-1/64	4-7/8	17/32	2-1/2	3-1/16	3/4						
		3.7								51.2	123.8	13.5	63.5	77.8	19.1
		3.6													
		3.5													
		1.6													
208	1-1/2 40mm	6.2	WS400	2-7/32	5-11/16	11/16	3-1/4	3-1/2	1						
		2.8		56.4	144.5	17.5		82.6		88.9	25.4				
209	1-5/8 1-11/16 1-3/4 45mm	6.5	WS400	2-7/32	5-5/8	11/16	3-1/4	3-7/16	1						
		6.4								56.4	142.9	17.5	82.6	87.3	25.4
		6.3													
		2.9													
210	1-15/16 2 50mm	6.9	WS400	2-15/32	5-13/16	11/16	3-3/8	3-9/16	1						
		6.8								62.7	147.6	17.5	85.7	90.5	25.4
		3.1													
211	2 2-3/16 55mm	10.3	WS502	2-13/16	6-11/16	1-1/16	3-3/4	4-3/16	1-1/4						
		10.0								71.4	169.9	27.0	95.3	106.4	31.8
		4.7													
212	2-1/4 2-7/16 60mm	13.0	WS502	3-1/16	7-1/2	1-1/16	4	4-11/16	1-1/4						
		12.8								77.8	190.5	27.0	101.6	119.1	31.8
		5.9													
215	2-15/16 75mm	21.0	WS515	3-5/8	8-9/16	1-1/16	4-3/4	5-3/8	1-1/2						
		9.6		92.1	217.5	27.0		120.7		136.5	38.1				

** -0.020 to +0.010"

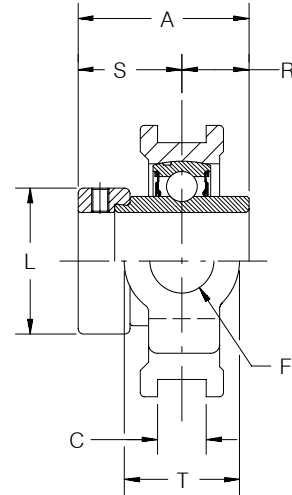
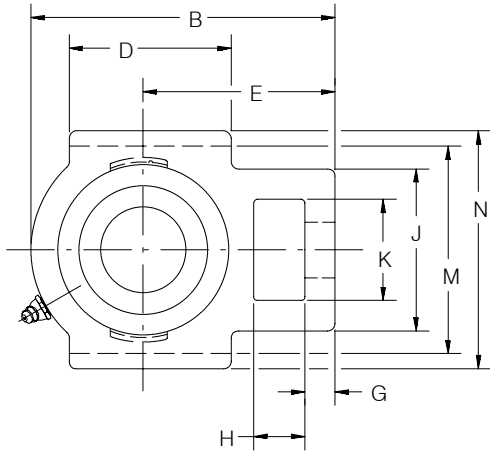
MODIFICATIONS PAGE B3-74	RELATED PRODUCTS PAGE B3-75	SELECTION/DIMENSIONS WIDE SLOT TAKE-UP FRAMES PAGE B13-14	
-----------------------------	--------------------------------	---	--



SELECTION/DIMENSIONS

Eccentric Collar Ball Bearings

SXR NORMAL DUTY WIDE SLOT TAKE-UP BEARINGS



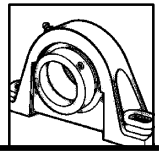
Series	Shaft Size	Part Number	Description
204	3/4 20mm	131204	WSTU-SXR-012
		130845	WSTU-SXR-20M
205	7/8 15/16 1 25mm	131206	WSTU-SXR-014
		131207	WSTU-SXR-015
		131208	WSTU-SXR-100
		130846	WSTU-SXR-25M
206	1-1/16 1-1/8 1-3/16 1-1/4 30mm	131209	WSTU-SXR-101
		131210	WSTU-SXR-102
		131211	WSTU-SXR-103
		@	WSTU-SXR-104S
		130847	WSTU-SXR-30M
207	1-1/4 1-5/16 1-3/8 1-7/16 35mm	131213	WSTU-SXR-104
		131214	WSTU-SXR-105
		131215	WSTU-SXR-106
		131216	WSTU-SXR-107
		130848	WSTU-SXR-35M
208	1-1/2 40mm	131217	WSTU-SXR-108
		130849	WSTU-SXR-40M

Series	Shaft Size	Part Number	Description
209	1-5/8 1-11/16 1-3/4 45mm	131220	WSTU-SXR-110
		131221	WSTU-SXR-111
		131222	WSTU-SXR-112
		130850	WSTU-SXR-45M
210	1-15/16 2 50mm	131225	WSTU-SXR-115
		131227	WSTU-SXR-200
		130851	WSTU-SXR-50M
211	2 2-3/16 55mm	@	WSTU-SXR-200L
		131230	WSTU-SXR-203
		130852	WSTU-SXR-55M
212	2-1/4 2-7/16 60mm	131232	WSTU-SXR-204
		131235	WSTU-SXR-207
		130853	WSTU-SXR-60M
215	2-15/16 75mm	@	WSTU-SXR-215
		130854	WSTU-SXR-75M

@ Assembled to order. * + or - 0.015"

FEATURE/BENEFITS ECCENTRIC COLLAR BALL BRGS PAGE B3-2	HOW TO ORDER/ NOMENCLATURE PAGE B3-4	SELECTION PAGE B3-5	DIMENSIONS SXR INSERTS PAGE B3-70
---	--	------------------------	---

SELECTION/DIMENSIONS



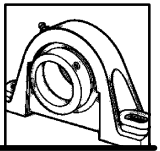
Eccentric Collar Ball Bearings

SXR NORMAL DUTY WIDE SLOT TAKE-UP BEARINGS

Series	Shaft Size	G	H	J	K	L	M**	N	R	S	T
204	3/4 20mm	3/8 9.5	5/8 15.9	2 50.8	1-1/4 31.8	1-5/16 33.3	3 76.2	3-5/8 92.1	43/64 17.1	1-3/64 26.6	1-3/8 34.9
205	7/8 15/16 1 25mm	3/8 9.5	5/8 15.9	2 50.8	1-5/16 33.3	1-1/2 38.1	3 76.2	3-5/8 92.1	11/16 17.5	1-1/16 27.0	1-3/8 34.9
206	1-1/16 1-1/8 1-3/16 1-1/4 30mm	3/8 9.5	5/8 15.9	2-3/16 55.6	1-7/16 36.5	1-3/4 44.5	3-1/2 88.9	4-1/8 104.8	23/32 18.3	1-3/16 30.2	1-5/8 41.3
207	1-1/4 1-5/16 1-3/8 1-7/16 35mm	1/2 12.7	5/8 15.9	2-1/2 63.5	1-7/16 36.5	2-1/8 54.0	3-1/2 88.9	4-1/8 104.8	0.742 18.8	1.274 32.4	1-5/8 41.3
208	1-1/2 40mm	5/8 15.9	3/4 19.1	3-1/4 82.6	1-15/16 49.2	2-3/8 60.3	4 101.6	4-1/2 114.3	27/32 21.4	1-3/8 34.9	1-15/16 49.2
209	1-5/8 1-11/16 1-3/4 45mm	5/8 15.9	3/4 19.1	3-1/4 82.6	1-15/16 49.2	2-1/2 63.5	4 101.6	4-3/4 120.7	27/32 21.4	1-3/8 34.9	1-15/16 49.2
210	1-15/16 2 50mm	5/8 15.9	3/4 19.1	3-1/4 82.6	1-15/16 49.2	2-3/4 69.9	4 101.6	4-3/4 120.7	31/32 24.6	1-1/2 38.1	1-15/16 49.2
211	2 2-3/16 55mm	3/4 19.1	1 25.4	4 101.6	2-1/2 63.5	3 76.2	5-1/8 130.2	5-7/8 149.2	1-3/32 27.8	1-23/32 43.7	2-1/2 63.5
212	2-1/4 2-7/16 60mm	3/4 19.1	1-1/4 31.8	4 101.6	2-1/2 63.5	3-5/16 84.1	5-1/8 130.2	5-7/8 149.2	1-7/32 31.0	1-27/32 46.8	2-1/2 63.5
215	2-15/16 75mm	13/16 20.6	1-1/4 31.8	4-3/8 111.1	2-3/4 69.9	4 101.6	5-15/16 150.8	6-11/16 166.7	1-15/32 37.3	2-5/32 54.8	2-3/4 69.9

** -0.020 to +0.010"

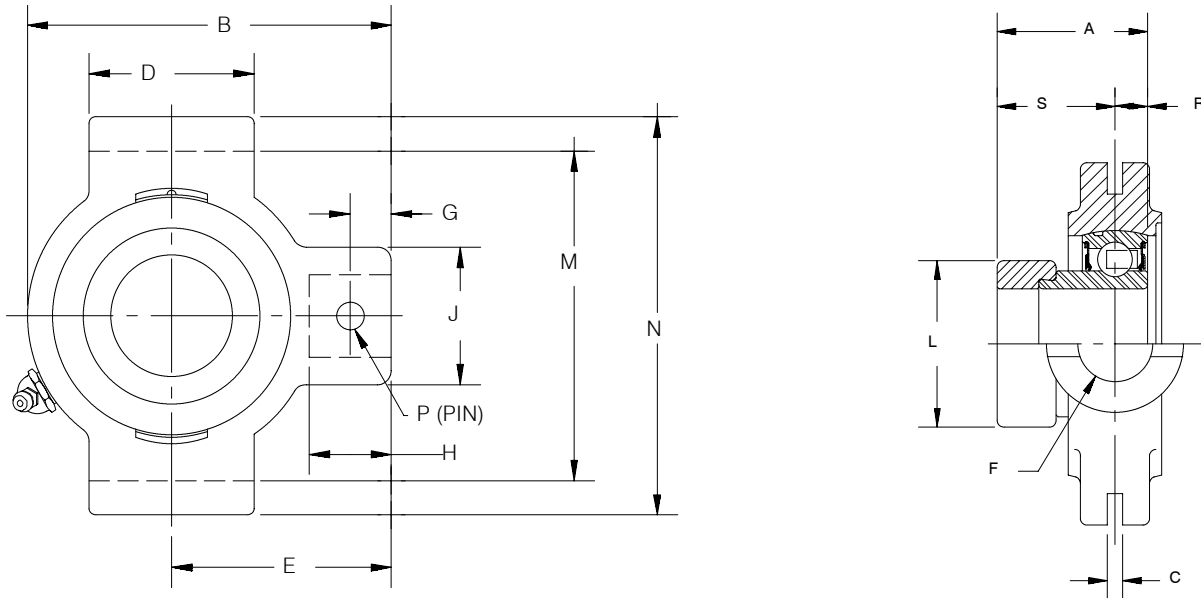
MODIFICATIONS PAGE B3-74	RELATED PRODUCTS PAGE B3-75	SELECTION/DIMENSIONS WIDE SLOT TAKE-UP FRAMES PAGE B13-14	
-----------------------------	--------------------------------	---	--



SELECTION/DIMENSIONS

Eccentric Collar Ball Bearings

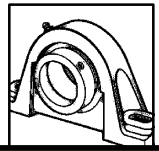
SXV INTERMEDIATE DUTY NARROW SLOT TAKE-UP BEARINGS



Series	Shaft Size	Part Number	Description
204	3/4	131186	NSTU-SXV-012
205	7/8	131187	NSTU-SXV-014
	15/16	131188	NSTU-SXV-015
	1	131189	NSTU-SXV-100
206	1-1/16	131190	NSTU-SXV-101
	1-1/8	131191	NSTU-SXV-102
	1-3/16	131192	NSTU-SXV-103
	1-1/4	131193	NSTU-SXV-104S
207	1-1/4	131194	NSTU-SXV-104
	1-5/16	131195	NSTU-SXV-105
	1-3/8	131196	NSTU-SXV-106
	1-7/16	131197	NSTU-SXV-107
208	1-1/2	131198	NSTU-SXV-108
209	1-11/16	130340	NSTU-SXV-111
	1-3/4	130341	NSTU-SXV-112
210	1-15/16	130342	NSTU-SXV-115
	2	130343	NSTU-SXV-200
211	2	130344	NSTU-SXV-200L
	2-3/16	130345	NSTU-SXV-203

FEATURE/BENEFITS ECCENTRIC COLLAR BALL BRGS PAGE B3-2	HOW TO ORDER/ NOMENCLATURE PAGE B3-4	SELECTION PAGE B3-5	DIMENSIONS SXV INSERTS PAGE B3-70
---	--	------------------------	---

SELECTION/DIMENSIONS



Eccentric Collar Ball Bearings

SXV INTERMEDIATE DUTY NARROW SLOT TAKE-UP BEARINGS

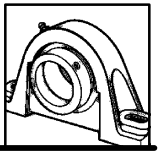
Series	Shaft Size	Weight lbs.	Take-Up Frame No. Ref.	A	B	C*	D	E	F Screw Dia.	G
204	3/4	1.3	NS210	1-7/32	3-1/2	1/4	1-1/2	2-3/16	3/4	7/16
205	7/8 15/16 1	1.7 1.6 1.5	NS210	1-7/32	3-9/16	1/4	1-1/2	2-3/16	3/4	7/16
206	1-1/16 1-1/8 1-3/16 1-1/4	2.9 2.8 2.6 2.5	NS308	1-13/32	4-5/16	1/4	2-1/2	2-11/16	3/4	1/2
207	1-1/4 1-5/16 1-3/8 1-7/16	2.8 2.7 2.6 2.5	NS308	1-17/32	4-1/2	1/4	2-1/2	2-11/16	3/4	1/2
208	1-1/2	4.7	NS400	1-23/32	5-3/8	5/16	3	3-1/4	7/8	21/32
209	1-11/16 1-3/4	4.8 4.7	NS400	1-23/32	5-7/16	5/16	3	3-1/4	7/8	23/32
210	1-15/16 2	4.9 4.8	NS400	1-23/32	5-1/2	5/16	3	3-1/4	7/8	21/32
211	2 2-3/16	6.8 6.6	NS407	1-29/32	6-1/8	5/16	3-1/2	3-5/8	1	11/16

* + or -0.015"

Series	Shaft Size	H	J	L	M**	N	P Pin Dia.	R	S
204	3/4	7/8	1-3/8	1-5/16	2-5/8	3-1/8	5/16	0.295	0.924
205	7/8 15/16 1	7/8	1-3/8	1-1/2	2-5/8	3-1/8	5/16	0.458	0.761
206	1-1/16 1-1/8 1-3/16 1-1/4	15/16	1-3/8	1-3/4	3-1/2	4-1/8	5/16	0.354	1.052
207	1-1/4 1-5/16 1-3/8 1-7/16	15/16	1-3/8	2-1/8	3-1/2	4-1/8	5/16	0.374	1.157
208	1-1/2	1-5/32	1-5/8	2-3/8	4	4-3/4	3/8	0.433	1.286
209	1-11/16 1-3/4	1-7/32	1-5/8	2-1/2	4	4-3/4	3/8	0.433	1.286
210	1-15/16 2	1-7/32	1-5/8	2-3/4	4	4-3/4	3/8	0.433	1.286
211	2 2-3/16	1-9/32	1-3/4	3	4-7/16	5-3/8	7/16	0.468	1.438

** -0.020 to +0.010"

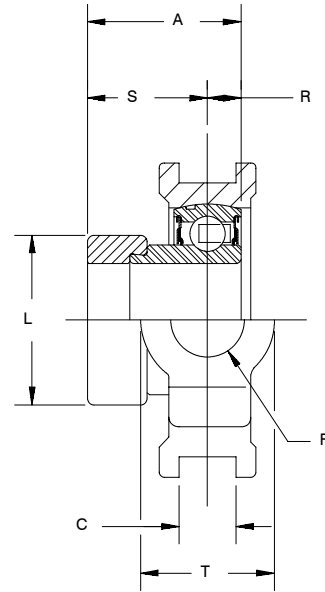
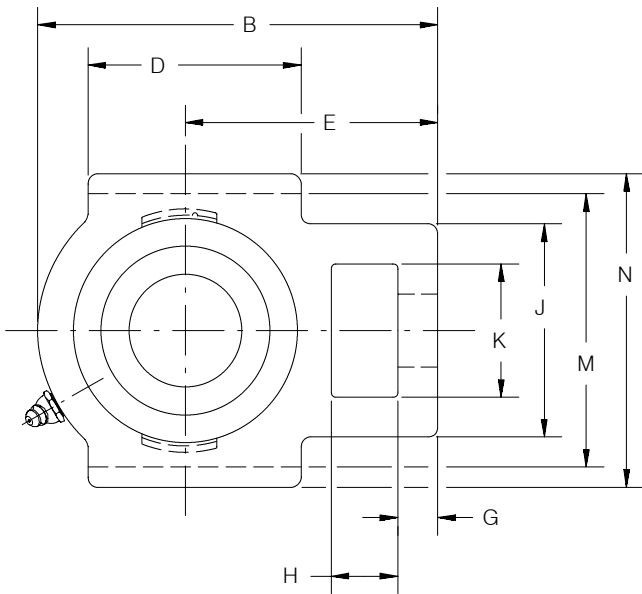
MODIFICATIONS PAGE B3-74	RELATED PRODUCTS PAGE B3-75	SELECTION/DIMENSIONS NARROW SLOT TAKE-UP FRAMES PAGE B13-8	
-----------------------------	--------------------------------	--	--



SELECTION/DIMENSIONS

Eccentric Collar Ball Bearings

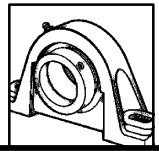
SXV INTERMEDIATE DUTY WIDE SLOT TAKE-UP BEARINGS



Series	Shaft Size	Part Number	Standard Description
204	3/4	131238	WSTU-SXV-012
	20mm	130793	WSTU-SXV-20M
205	7/8	131239	WSTU-SXV-014
	15/16	131240	WSTU-SXV-015
	1	131241	WSTU-SXV-100
	25mm	130794	WSTU-SXV-25M
206	1-1/8	131243	WSTU-SXV-102
	1-3/16	131244	WSTU-SXV-103
	1-1/4	131245	WSTU-SXV-104S
	30mm	130795	WSTU-SXV-30M
207	1-1/4	131246	WSTU-SXV-104
	1-3/8	131248	WSTU-SXV-106
	1-7/16	131249	WSTU-SXV-107
	35mm	130796	WSTU-SXV-35M
208	1-1/2	131250	WSTU-SXV-108
	40mm	130797	WSTU-SXV-40M
209	1-11/16	130346	WSTU-SXV-111
	1-3/4	130347	WSTU-SXV-112
	45mm	130798	WSTU-SXV-45M
210	1-15/16	130348	WSTU-SXV-115
	2	130349	WSTU-SXV-200
	50mm	130799	WSTU-SXV-50M
211	2	130350	WSTU-SXV-200L
	2-3/16	130351	WSTU-SXV-203
	55mm	@	WSTU-SXV-55M

@ Assembled to order.

FEATURE/BENEFITS ECCENTRIC COLLAR BALL BRGS PAGE B3-2	HOW TO ORDER/ NOMENCLATURE PAGE B3-4	SELECTION PAGE B3-5	DIMENSIONS SXV INSERTS PAGE B3-70
---	--	------------------------	---



SELECTION/DIMENSIONS

Eccentric Collar Ball Bearings

SXV INTERMEDIATE DUTY WIDE SLOT TAKE-UP BEARINGS

Series	Shaft Size	Weight lbs. kg.	Take-Up Frame No. Ref.	A	B	C*	D	E	F Screw Dia.	G
204	3/4 20mm	1.2 0.5	WS300	1-7/32 31.0	3-11/16 93.7	17/32 13.5	2 50.8	2-3/8 60.3	5/8 15.9	3/8 9.5
205	7/8 15/16 1 25mm	1.7 1.6 1.5 0.7	WS300	1-7/32 31.0	3-13/16 96.8	17/32 13.5	2 50.8	2-7/16 61.9	5/8 15.9	3/8 9.5
206	1-1/8 1-3/16 1-1/4 30mm	2.8 2.6 2.5 1.2	WS308	1-13/32 35.7	4-3/8 111.1	17/32 13.5	2-1/4 57.2	2-3/4 69.9	3/4 19.1	3/8 9.5
207	1-1/4 1-3/8 1-7/16 35mm	2.8 2.6 2.5 1.2	WS308	1-17/32 38.9	4-7/8 123.8	17/32 13.5	2-1/2 63.5	3-1/16 77.8	3/4 19.1	1/2 12.7
208	1-1/2 40mm	4.7 2.2	WS400	1-23/32 43.7	5-11/16 144.5	11/16 17.5	3-1/4 82.6	3-1/2 88.9	1 25.4	5/8 15.9
209	1-11/16 1-3/4 45mm	4.8 4.7 2.2	WS400	1-23/32 43.7	5-5/8 142.9	11/16 17.5	3-1/4 82.6	3-7/16 87.3	1 25.4	5/8 15.9
210	1-15/16 2 50mm	4.9 4.8 2.2	WS400	1-23/32 43.7	5-13/16 147.6	11/16 17.5	3-3/8 85.7	3-9/16 90.5	1 25.4	5/8 15.9
211	2 2-3/16 55mm	6.8 6.6 3.1	WS502	1-29/32 48.4	6-11/16 169.9	1-1/16 27.0	3-3/4 95.3	4-3/16 106.4	1-1/4 31.8	3/4 19.1

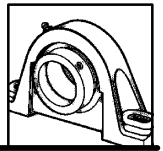
* + or -.15"

Series	Shaft Size	H	J	K	L	M**	N	R	S	T
204	3/4 20mm	5/8 15.9	2 50.8	1-1/4 31.8	1-5/16 33.3	3 76.2	3-5/8 92.1	0.295 7.5	0.924 23.5	1-3/8 34.9
205	7/8 15/16 1 25mm	5/8 15.9	2 50.8	1-5/16 33.3	1-1/2 38.1	3 76.2	3-5/8 92.1	0.458 11.6	0.761 19.3	1-3/8 34.9
206	1-1/8 1-3/16 1-1/4 30mm	5/8 15.9	2-3/16 55.6	1-7/16 36.5	1-3/4 44.5	3-1/2 88.9	4-1/8 104.8	0.354 9.0	1.052 26.7	1-5/8 41.3
207	1-1/4 1-3/8 1-7/16 35mm	5/8 15.9	2-1/2 63.5	1-7/16 36.5	2-1/8 54.0	3-1/2 88.9	4-1/8 104.8	0.374 9.5	1.157 29.4	1-5/8 41.3
208	1-1/2 40mm	3/4 19.1	3-1/4 82.6	1-15/16 49.2	2-3/8 60.3	4 101.6	4-1/2 114.3	0.433 11.0	1.286 32.7	1-15/16 49.2
209	1-11/16 1-3/4 45mm	3/4 19.1	3-1/4 82.6	1-15/16 49.2	2-1/2 63.5	4 101.6	4-3/4 120.7	0.433 11.0	1.286 32.7	1-15/16 49.2
210	1-15/16 2 50mm	3/4 19.1	3-1/4 82.6	1-15/16 49.2	2-3/4 69.9	4 101.6	4-3/4 120.7	0.433 11.0	1.286 32.7	1-15/16 49.2
211	2 2-3/16 55mm	1 25.4	4 101.6	2-1/2 63.5	3 76.2	5-1/8 130.2	5-7/8 149.2	0.468 11.9	1.438 36.5	2-1/2 63.5

** -0.020 to 0.010"

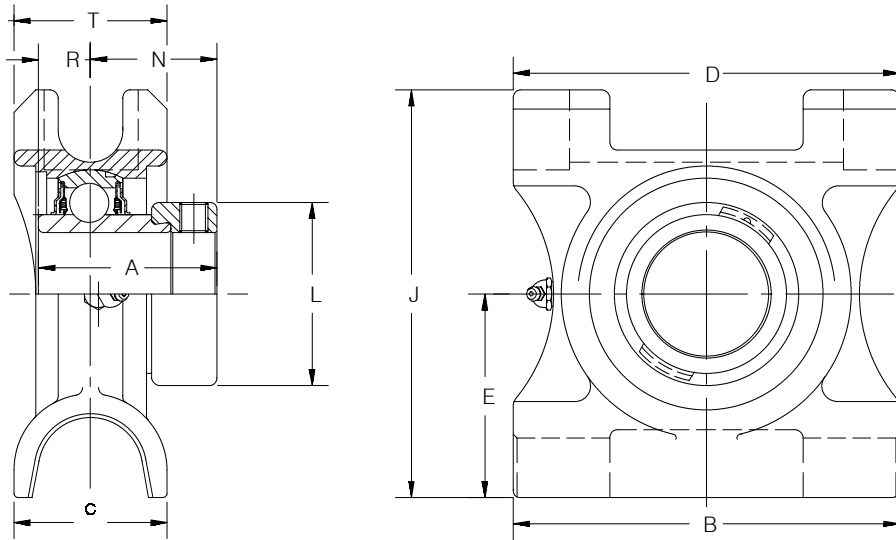
MODIFICATIONS PAGE B3-74	RELATED PRODUCTS PAGE B3-75	SELECTION/DIMENSIONS WIDE SLOT TAKE-UP FRAMES PAGE B13-14	
-----------------------------	--------------------------------	---	--

SELECTION/DIMENSIONS

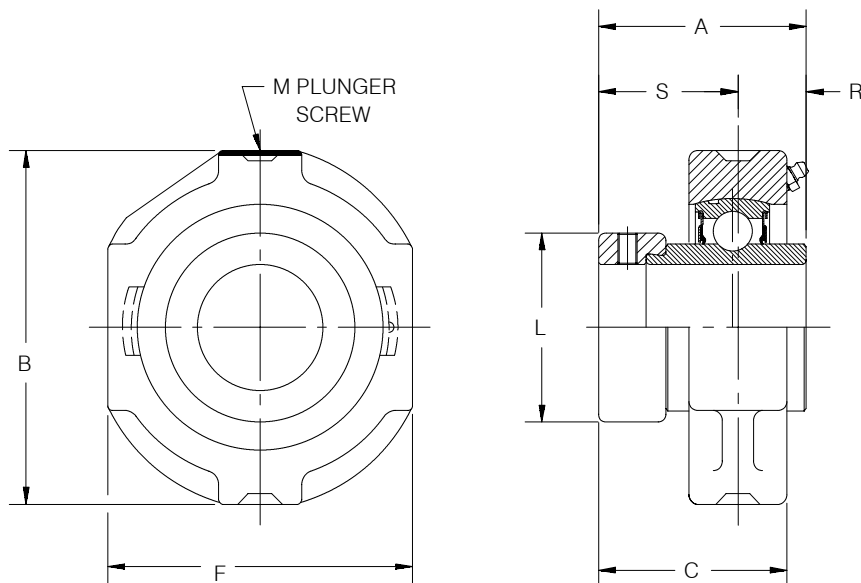


Eccentric Collar Ball Bearings

TYPE GXR NORMAL DUTY TOP ANGLE TAKE-UP BEARINGS

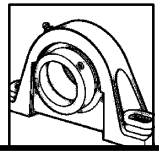


SXR NORMAL DUTY HANGER BEARINGS



FEATURE/BENEFITS ECCENTRIC COLLAR BALL BRGS PAGE B3-2	HOW TO ORDER/ NOMENCLATURE PAGE B3-4	SELECTION PAGE B3-5	DIMENSIONS SXR INSERTS PAGE B3-70
---	--	------------------------	---

SELECTION/DIMENSIONS



Eccentric Collar Ball Bearings - Inch

TYPE GXR NORMAL DUTY TOP ANGLE TAKE-UP BEARINGS

Series	Shaft Size	Part Number	Description	Weight lbs.	Frame Size	A	B	C
210	1-15/16 2	131536	TP-GXR-115	10.2	TP10	2-15/32	6-1/2	2-3/8
		131537	TP-GXR-200	10.0				
211	2 2-3/16	@ 131540	TP-GXR-200L TP-GXR-203	13.2 13.0	TP20	2-13/16	7	2-1/2
212	2-1/4 2-7/16	131542 131545	TP-GXR-204 TP-GXR-207	16.2 16.0	TP30	3-1/16	7-1/2	2-3/4
215	2-15/16	@	TP-GXR-215	21.8	TP40	3-5/8	8-1/2	2-1/2

@ Assembled to order

Series	Shaft Size	D	E	J	L	N	R	T
210	1-15/16 2	6	3-1/4	6-3/8	2-3/4	1-1/2	31/32	2-3/8
211	2 2-3/16	6-3/4	3-3/8	6-7/8	3	1-23/32	1-3/32	2-3/8
212	2-1/4 2-7/16	7	3-1/2	7-7/16	3-5/16	1-27/32	1-7/32	2-3/4
25	2-15/16	8	4	8-5/16	4	2-5/32	1-15/32	2-3/4

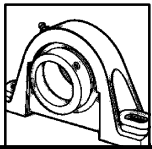
SXR NORMAL DUTY HANGER BEARINGS

Series	Shaft Size	Part Number	Description	Weight lbs.	A	B	C	F	L	M	R	S
206	1-1/16 1-1/8 1-3/16 1-1/4	131259	HNG-SXR-101	2.0	1-29/32	3-5/8	1-15/32	3	1-3/4	1/2	25/32	1-3/16
		131260	HNG-SXR-102	1.9								
		131261	HNG-SXR-103	1.8								
		@	HNG-SXR-104S	1.7								
207	1-1/4 1-5/16 1-3/8 1-7/16	131263	HNG-SXR-104	3.2	2-1/64	4-1/4	1-43/64	3-1/2	2-1/8	1/2	0.742	1.274
		131264	HNG-SXR-105	3.0								
		131265	HNG-SXR-106	2.8								
		131266	HNG-SXR-107	2.6								
210	1-15/16 2	131275	HNG-SXR-115	6.2	2-15/32	5	1-31/32	4-3/16	2-3/4	5/8	31/32	1-1/2
		131276	HNG-SXR-200	6.0								

@ Assembled to order

These bearings are designed for use in 4-point hanger frames.

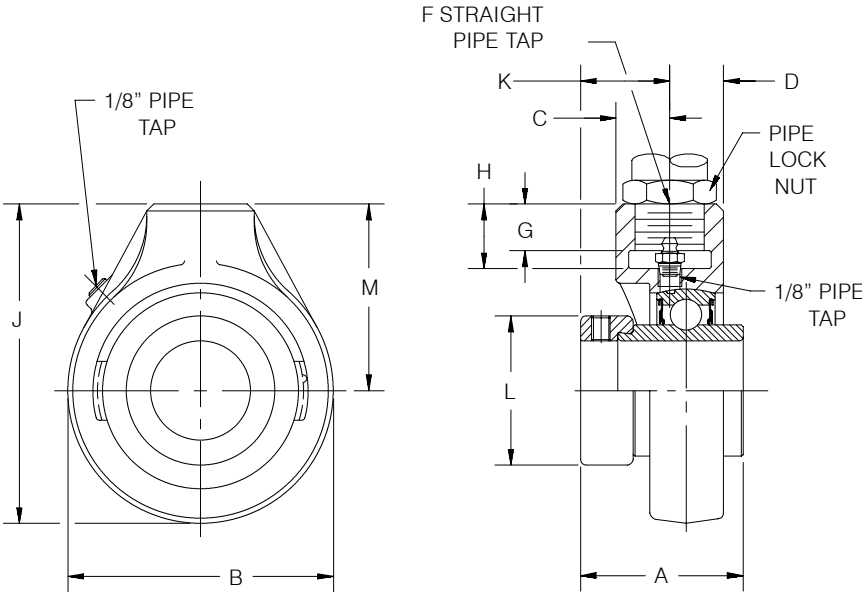
MODIFICATIONS PAGE B3-74	RELATED PRODUCTS PAGE B3-75	SELECTION/DIMENSIONS TOP ANGLE TAKE-UP FRAMES PAGE B13-16	
-----------------------------	--------------------------------	---	--



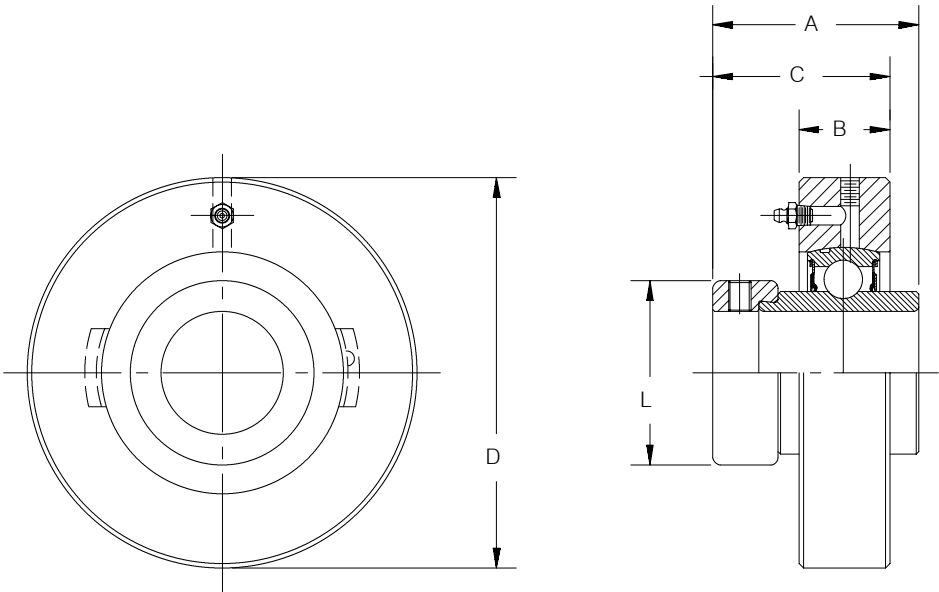
SELECTION/DIMENSIONS

Eccentric Collar Ball Bearings

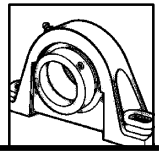
SXR NORMAL DUTY SCREW CONVEYOR HANGER BEARINGS



SXR NORMAL DUTY CYLINDRICAL UNITS



<p>FEATURE/BENEFITS ECCENTRIC COLLAR BALL BRGS PAGE B3-2</p>	<p>HOW TO ORDER/ NOMENCLATURE PAGE B3-4</p>	<p>SELECTION PAGE B3-5</p>	<p>DIMENSIONS SXR INSERTS PAGE B3-70</p>
--	---	--------------------------------	--



SELECTION/DIMENSIONS

Eccentric Collar Ball Bearings

SXR NORMAL DUTY SCREW CONVEYOR HANGER BEARINGS

Series	Size	Number	Description	Weight lbs.	A	B	C	D
206	1-1/8	@	SCHB-SXR-102	3.1	1-29/32	3-1/8	53/64	47/64
207	1-1/4 1-3/8	@ @	SCHB-SXR-104 SCHB-SXR-106	3.7 3.5	2-1/64	3-7/8	53/64	53/64
208	1-1/2	131317	SCHB-SXR-108	4.0	2-7/32	4	53/64	53/64
210	1-15/16 2	131325 131327	SCHB-SXR-115 SCHB-SXR-200	5.5 5.3	2-15/32	4-5/8	15/16	7/8
212	2-1/4 2-7/16	@ 131335	SCHB-SXR-204 SCHB-SXR-207	9.4 9.2	3-1/16	5-1/2	1-5/32	1-5/32

NOTE: Inserts use the ProGuard Plus (FF) seal.

@ Assembled to order.

Series	Size	F*	G	H	J	K	L	M
206	1-1/8	3/4-14	3/4	15/16	4-1/16	1-3/16	1-3/4	2-1/2
207	1-1/4 1-3/8	3/4-14	5/8	15/16	4-11/16	1.274	2-1/8	2-3/4
208	1-7/16 1-1/2 1-5/8	3/4 - 14	5/8	15/16	4-7/8	1-3/8	2-3/8	2-7/8
210	1-15/16 2	1 - 11-1/2	13/16	1-1/8	5-9/16	1-1/2	2-3/4	3-1/4
212	2-1/4 2-7/16	1-1/4 - 11-1/2	1-1/8	1-7/16	6-3/4	1-27/32	3-5/16	4

*Use straight thread for the pipe. Bearing to be secured with a heavy locknut. Pipe plug and lube fitting are factory installed and may be reversed from the position shown.

SXR NORMAL DUTY CYLINDRICAL UNITS

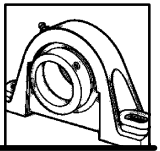
Series	Shaft Size	Part Number	Description	Weight lbs.	A	B	C	D**	L
205	7/8 15/16 1	131356 131357 131358	CYL-SXR-014 CYL-SXR-015 CYL-SXR-100	1.4 1.3 1.2	1-3/14	27/32	1-11/64	3-1/8	1-1/2
206	1-1/16 1-1/8 1-3/16 1-1/4	131359 131360 131361 @	CYL-SXR-101 CYL-SXR-102 CYL-SXR-103 CYL-SXR-104S	2.2 2.1 2.0 1.9	1-29/32	15/16	1-11/32	3-1/2	1-3/4
207	1-1/4 1-5/16 1-3/8 1-7/16	131363 131364 131365 131366	CYL-SXR-104 CYL-SXR-105 CYL-SXR-106 CYL-SXR-107	2.8 2.7 2.6 2.5	2-1/64	1-1/16	1-17/32	3-7/8	2-1/8

@ Assembled to order.

** +000"-.002"

To prevent the housing from rotating in the machine frame, tap a hole on the joint between the housing O.D. and the machine frame bore and lock with a setscrew.

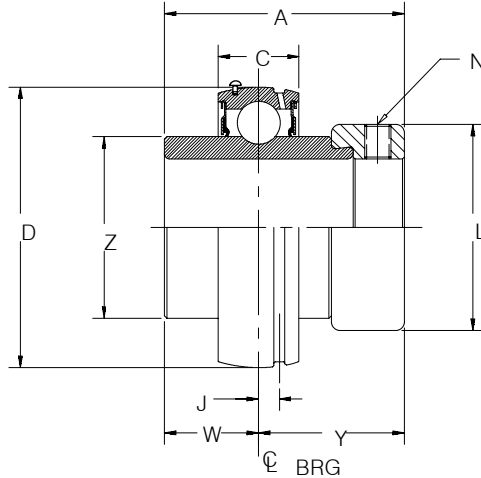
MODIFICATIONS PAGE B3-74	RELATED PRODUCTS PAGE B3-75	
-----------------------------	--------------------------------	--



SELECTION/DIMENSIONS

Eccentric Collar Ball Bearings

SXR NORMAL DUTY BEARING INSERTS



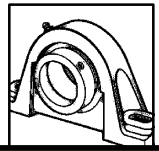
Series	Shaft Size	Part Number	Description
203	1/2	131900	INS-SXR-008
	5/8	131902	INS-SXR-010
	17mm	125625	INS-SXR-17M
204	3/4	131904	INS-SXR-012
	20mm	125626	INS-SXR-17M
205	7/8	131906	INS-SXR-014
	15/16	131907	INS-SXR-015
	1	131908	INS-SXR-100
	25mm	125627	INS-SXR-25M
206	1-1/16	131909	INS-SXR-101
	1-1/8	131910	INS-SXR-102
	1-3/16	131911	INS-SXR-103
	1-1/4	@	INS-SXR-104S
	30mm	125628	INS-SXR-30M
207	1-1/4	131912	INS-SXR-104
	1-5/16	131913	INS-SXR-105
	1-3/8	131914	INS-SXR-106
	1-7/16	131915	INS-SXR-107
	35mm	125629	INS-SXR-35M

Series	Shaft Size	Part Number	Description
208	1-1/2	131916	INS-SXR-108
	40mm	125630	INS-SXR-40M
209	1-5/8	131918	INS-SXR-110
	1-11/16	131919	INS-SXR-111
	1-3/4	131920	INS-SXR-112
210	45mm	125631	INS-SXR-45M
	1-15/16	131923	INS-SXR-115
	2	131924	INS-SXR-200
211	50mm	125632	INS-SXR-50M
	2	131934	INS-SXR-200L
	2-3/16	131927	INS-SXR-203
212	55mm	125633	INS-SXR-55M
	2-1/4	131928	INS-SXR-204
	2-7/16	131931	INS-SXR-207
215	60mm	125634	INS-SXR-60M
	2-15/16	131933	INS-SXR-215
	75mm	125635	INS-SXR-75M

@ Assembled to order

FEATURE/BENEFITS ECCENTRIC COLLAR BALL BRGS PAGE B3-2	HOW TO ORDER/ NOMENCLATURE PAGE B3-4	SELECTION PAGE B3-5	
---	--	------------------------	--

SELECTION/DIMENSIONS

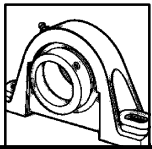


Eccentric Collar Ball Bearings

SXR NORMAL DUTY BEARING INSERTS

Series	Shaft Size	Weight lbs.	A	C	D	J	L	N	W	Y	Z
203	1/2	0.3	1-1/8	0.5110	1.5748	0.150	1-1/8	10-32	0.256	0.869	0.957
	5/8	0.3									
	17mm	0.1	28.6	13.0	40.0	3.8	28.6	M6x1	6.5	22.1	24.3
204	3/4	0.5	1-23/32	0.5906	1.8504	0.152	1-5/16	1/4-28	43/64	1-3/64	1.134
	20mm	0.2	43.7	15.0	47.0	3.9	33.3	M6x1	17.1	26.6	28.8
205	7/8	0.6	1-3/4	0.5906	2.0472	0.152	1-1/2	1/4-28	11/16	1-1/16	1.331
	15/16	0.6									
	1 25mm	0.5 0.2	44.5	15.0	52.0	3.9	38.1	M6x1	17.5	27.0	33.8
206	1-1/16	0.9	1-29/32	0.7087	2.4409	0.190	1-3/4	5/16-24	23/32	1-3/16	1.589
	1-1/8	0.9									
	1-3/16	0.8									
	1-1/4 30mm	0.8 0.4	48.4	18.0	62.0	4.8	44.5	M8x1.25	18.3	30.2	40.4
207	1-1/4	1.4	2-1/64	0.7480	2.8346	0.202	2-1/8	5/16-24	0.742	1.274	1.847
	1-5/16	1.3									
	1-3/8	1.3									
	1-7/16 35mm	1.2 0.6	51.2	19.0	72.0	5.1	54.0	M8x1.25	18.8	32.4	46.9
208	1-1/2	1.7	2-7/32	0.8661	3.1496	0.224	2-3/8	5/16-24	27/32	1-3/8	2.084
	40mm	0.8	56.4	22.0	80.0	5.7	60.3	M10x1.5	21.4	34.9	52.9
209	1-5/8	2.0	2-7/32	0.8661	3.3465	0.248	2-1/2	5/16-24	27/32	1-3/8	2.250
	1-11/16	1.9									
	1-3/4 45mm	1.8 0.8	56.4	22.2	85.8	6.3	64.1	M8x1.25	21.4	34.9	57.7
210	1-15/16	2.2	2-15/32	0.8661	3.5433	0.248	2-3/4	3/8-24	31/32	1-1/2	2.473
	2	2.0									
	50mm	1.0	62.7	22.0	90.0	6.3	69.9	M12x1.75	24.6	38.1	62.8
211	2	3.4	2-13/16	0.9449	3.9370	0.267	3	3/8-24	1-3/32	1-23/32	2.762
	2-3/16	2.9									
	55mm	1.3	71.4	24.0	100.0	6.8	76.2	M12x1.75	27.8	43.7	70.2
212	2-1/4	3.8	3-1/16	1.0240	4.3307	0.250	3-5/16	7/16-20	1-7/32	1-27/32	3.049
	2-7/16	3.5									
	60mm	1.7	77.8	26.0	110.0	6.4	84.1	M12x1.75	31.0	46.8	77.4
215	2-15/16	4.5	3-5/8	1.1420	5.1181	0.265	4	7/16-20	1-15/32	2-5/32	3.625
	75mm	2.0	92.1	3.6	130.0	6.7	101.6	M12x1.75	37.3	54.8	92.1

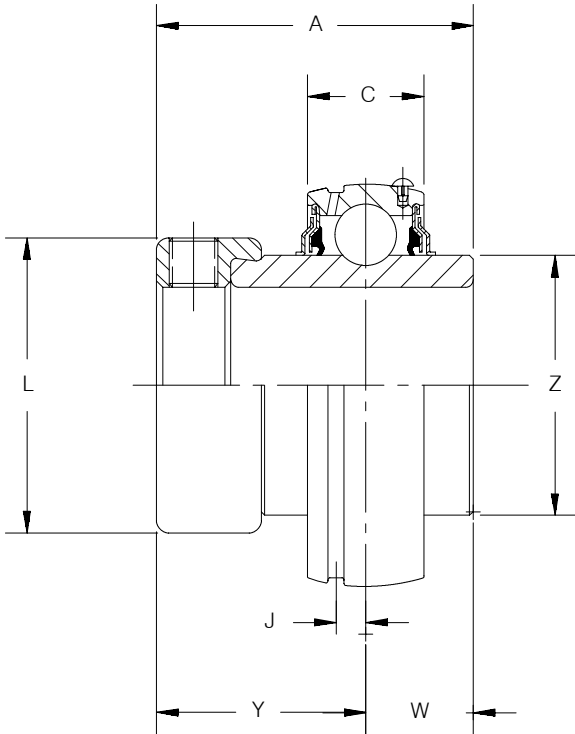
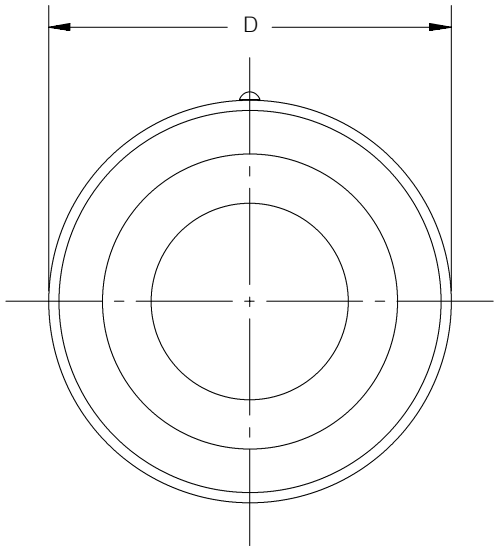
MODIFICATIONS PAGE B3-74	RELATED PRODUCTS PAGE B3-75	
-----------------------------	--------------------------------	--



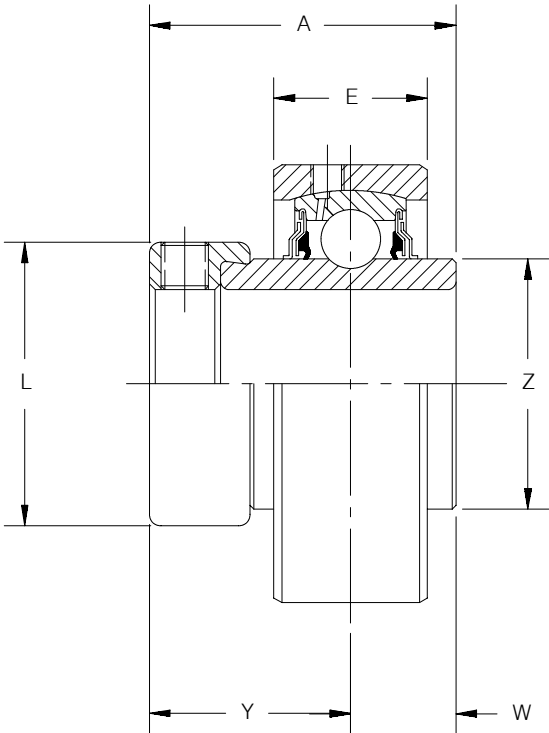
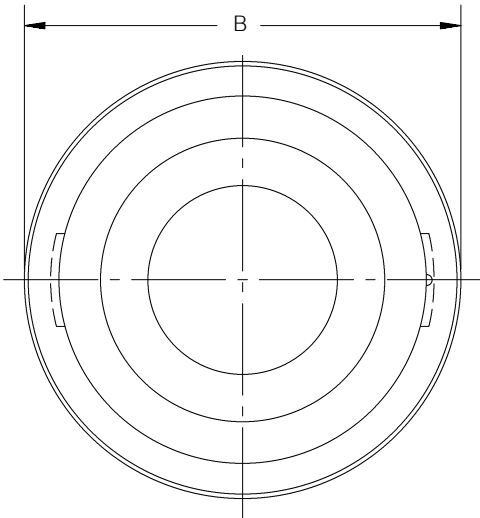
SELECTION/DIMENSIONS

Eccentric Collar Ball Bearings

SXRH NON EXPANSION NORMAL DUTY BEARING INSERTS

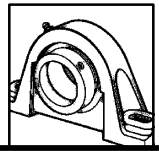


SXRH-E EXPANSION NORMAL DUTY BEARING INSERTS



FEATURE/BENEFITS ECCENTRIC COLLAR BALL BRGS PAGE B3-2	HOW TO ORDER/ NOMENCLATURE PAGE B3-4	SELECTION PAGE B3-5	DIMENSIONS SXRH NON-EXPANSION PIL- LOW BLOCKS PAGES B3-18
---	--	------------------------	---

SELECTION/DIMENSIONS



Eccentric Collar Ball Bearings

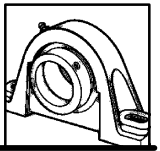
SXRH-E EXPANSION AND SXRH NON-EXPANSION NORMAL DUTY BEARING INSERTS

Series	Shaft Size	Expansion Insert			Non Expansion Insert	
		Part Number	Description	Weight lbs kg.	Part Number	Description
206	1-1/6	@	INS-SXRH-101-E	1.51	@	INS-SXRH-101
	1-1/8	@	INS-SXRH-102-E	1.49	@	INS-SXRH-102
	1-3/16	126475	INS-SXRH-103-E	1.43	126470	INS-SXRH-103
	1-1/4	@	INS-SXRH-104S-E	1.40	@	INS-SXRH-104S
	30mm	@	INS-SXRH-30M-E	0.65	@	INS-SXRH-30M
207	1-1/4	@	INS-SXRH-104-E	1.92	@	INS-SXRH-104
	1-5/16	@	INS-SXRH-105-E	1.85	@	INS-SXRH-105
	1-3/8	@	INS-SXRH-106-E	1.82	@	INS-SXRH-106
	1-7/16	126476	INS-SXRH-107-E	1.81	126471	INS-SXRH-107
	35mm	@	INS-SXRH-35M-E	0.78	@	INS-SXRH-35M
209	1-5/8	@	INS-SXRH-110-E	2.97	@	INS-SXRH-110
	1-11/16	@	INS-SXRH-111-E	2.89	@	INS-SXRH-111
	1-3/4	@	INS-SXRH-112-E	2.89	@	INS-SXRH-112
	45mm	@	INS-SXRH-45M-E	0.61	@	INS-SXRH-45M
210	1-15/16	126477	INS-SXRH-115-E	3.2	126472	INS-SXRH-115
	2	@	INS-SXRH-200-E	3.12	@	INS-SXRH-200
	50mm	@	INS-SXRH-50M-E	1.41	@	INS-SXRH-50M
211	2	@	INS-SXRH-200L-E	4.52	@	INS-SXRH-200L
	2-3/16	126478	INS-SXRH-203-E	4.31	126473	INS-SXRH-203
	55mm	@	INS-SXRH-55M-E	1.92	@	INS-SXRH-55M
212	2-1/4	@	INS-SXRH-204-E	5.46	@	INS-SXRH-204
	2-7/16	126479	INS-SXRH-207-E	5.46	126474	INS-SXRH-207
	60mm	@	INS-SXRH-60M-E	2.59	@	INS-SXRH-60M

@ Assembled to order

Series	Shaft Size	Weight lbs kg.	A	B	C	D	E	J	L	N	W	Y	Z
206	1-1/6	0.91	1-29/32	2.875	0.709	2.4	15/16	0.190	1-3/4	5/16-24	23/32	1-3/16	1.589
	1-1/8	0.89											
	1-3/16	0.83											
	1-1/4	0.80	48.4	73.0	18.0	62.0	23.8	4.8	44.5	M8x1.25	18.3	30.2	40.4
	30mm	0.38											
207	1-1/4	1.44	2-1/64	3.272	3/4	2-5/6	1	20/99	2-1/8	5/16-24	0.742	1.274	1.847
	1-5/16	1.33											
	1-3/8	1.26											
	1-7/16	1.20	51.2	83.1	19.0	72.0	25.4	5.1	54.0	M8x1.25	18.8	32.4	46.9
	35mm	0.55											
209	1-5/8	1.98	2-7/32	3.813	13/15	3-9/26	1-1/4	1/4	2-1/2	5/16-24	27/32	1-3/8	2.250
	1-11/16	1.87											
	1-3/4	1.82											
	45mm	0.81	56.4	96.8	22.2	85.8	31.8	6.4	64.1	M8x1.25	21.4	34.9	57.7
210	1-15/16	2.18	2-15/32	4.000	13/15	3-44/81	1-13/32	1/4	2-3/4	3/8-24	31/32	1-1/2	2.473
	2	2.03											
	50mm	0.95	62.7	101.6	22.0	90.0	35.7	6.3	69.9	M10x1.5	24.6	38.1	62.8
211	2	3.35	2-13/16	4.475	17/18	3-15/16	1-7/16	4/15	3	3/8-24	1-3/32	1-23/32	2.762
	2-3/16	2.88											
	55mm	1.28	71.4	113.7	24.0	100.0	36.5	6.8	76.2	M12x1.75	27.8	43.7	70.2
212	2-1/4	3.78	3-1/16	5.035	1-2/83	4-1/3	1-5/8	1/4	3-5/16	7/16-20	1-7/32	1-27/32	3.049
	2-7/16	3.45											
	60mm	1.68	77.8	127.9	26.0	110.0	41.3	6.4	84.1	M12x1.75	31.0	46.8	77.4

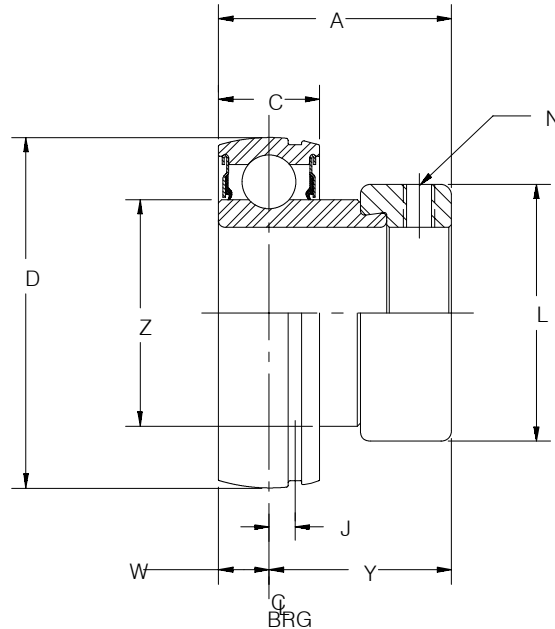
FEATURE/BENEFITS ECCENTRIC COLLAR BALL BRGS PAGE B3-2	HOW TO ORDER/ NOMENCLATURE PAGE B3-4	SELECTION PAGE B3-5	DIMENSIONS SXRH NON-EXPANSION PIL- LOW BLOCKS PAGES B3-18
---	--	------------------------	---



SELECTION/DIMENSIONS

Eccentric Collar Ball Bearings

SXV INTERMEDIATE DUTY BEARING INSERTS

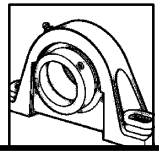


Series	Shaft Size	Part Number	Standard Description
203	1/2	130300	INS-SXV-008
	5/8	130301	INS-SXV-010
	17mm	125644	INS-SXV-17M
204	3/4	131435	INS-SXV-012
	20mm	125645	INS-SXV-20M
205	7/8	131436	INS-SXV-014
	15/16	131437	INS-SXV-015
	1	131438	INS-SXV-100
	25mm	125646	INS-SXV-25M
206	1-1/16	131439	INS-SXV-101
	1-1/8	131440	INS-SXV-102
	1-3/16	131441	INS-SXV-103
	1-1/4	131442	INS-SXV-104S
	30mm	125647	INS-SXV-30M

Series	Shaft Size	Part Number	Standard Description
207	1-1/4	131443	INS-SXV-104
	1-5/16	131444	INS-SXV-105
	1-3/8	131445	INS-SXV-106
	1-7/16	131446	INS-SXV-107
	35mm	125648	INS-SXV-35M
208	1-1/2	131447	INS-SXV-108
	40mm	125649	INS-SXV-40M
209	1-11/16	130302	INS-SXV-111
	1-3/4	130303	INS-SXV-112
	45mm	125650	INS-SXV-45M
210	1-15/16	130305	INS-SXV-115
	2	130306	INS-SXV-200
	50mm	125651	INS-SXV-50M
211	2	130307	INS-SXV-200L
	2-3/16	130308	INS-SXV-203
	55mm	125652	INS-SXV-55M

FEATURE/BENEFITS ECCENTRIC COLLAR BALL BRGS PAGE B3-2	HOW TO ORDER/ NOMENCLATURE PAGE B3-4	SELECTION PAGE B3-5	MODIFICATIONS PAGE B3-74
---	--	------------------------	-----------------------------

SELECTION/DIMENSIONS

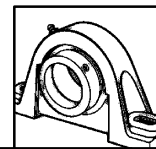


Eccentric Collar Ball Bearings

SXV INTERMEDIATE DUTY BEARING INSERTS

Series	Shaft Size	Weight lbs. kg.	A	C	D	J	L	N	W	Y	Z
203	1/2	0.3	1-1/8	0.5110	1.5748	0.150	1-1/8	10 - 32	0.250	0.875	0.957
	5/8	0.3	28.6	13.0	40.0	3.8	28.6	M6x1	6.4	22.2	24.3
	17mm	0.1									
204	3/4	0.3	1-7/32	0.5906	1.8504	0.152	1-5/16	1/4 - 28	0.295	0.924	1.134
	20mm	0.1	31.0	15.0	47.0	3.9	33.3	M6x1	7.5	23.5	28.8
205	7/8	0.5	1-7/32	0.5906	2.0472	0.152	1-1/2	1/4 - 28	0.458	0.761	1.331
	15/16	0.4									
	1	0.4	31.0	15.0	52.0	3.9	38.1	M6x1	11.6	19.3	33.8
206	1-1/16	0.7	1-13/32	0.7087	2.4409	0.190	1-3/4	5/16 - 24	0.354	1.052	1.589
	1-1/8	0.7									
	1-3/16	0.7									
	1-1/4	0.7	35.7	18.0	62.0	4.8	44.5	M8x1.25	9.0	26.7	40.4
207	1-1/4	1.2	1-17/32	0.7480	2.8346	0.202	2-1/8	5/16 - 24	0.374	1.157	1.847
	1-5/16	1.2									
	1-3/8	1.2									
	1-7/16	1.1	38.9	19.0	72.0	5.1	54.0	M8x1.25	9.5	29.4	46.9
208	1-1/2	1.8	1-23/32	0.8661	3.1496	0.224	2-3/8	5/16 - 24	0.433	1.286	2.084
	40mm	0.8	43.7	22.0	80.0	5.7	60.3	M10x1.5	11.0	32.7	52.9
209	1-11/16	1.9	1-23/32	0.8661	3.3465	0.248	2-1/2	5/16 - 24	0.433	1.286	2.250
	1-3/4	1.8									
	45mm	0.8	43.7	22.0	85.0	6.3	63.5	0.0	11.0	32.7	57.2
210	1-15/16	2.0	1-23/32	0.8661	3.5433	0.248	2-3/4	3/8 - 24	0.433	1.286	2.473
	2	1.9									
	50mm	0.9	43.7	22.0	90.0	6.3	69.9	0.0	11.0	32.7	62.8
211	2	2.7	1-29/32	0.9449	3.9370	0.267	3	3/8 - 24	0.468	1.438	2.762
	2-3/16	2.5									
	55mm	1.2	48.4	24.0	100.0	6.8	76.2	0.0	11.9	36.5	70.2

FEATURE/BENEFITS ECCENTRIC COLLAR BALL BRGS PAGE B3-2	HOW TO ORDER/ NOMENCLATURE PAGE B3-4	SELECTION PAGE B3-5	MODIFICATIONS PAGE B3-74
---	--	------------------------	-----------------------------



Eccentric Collar Ball Bearings

LUBRICANTS

DODGE ball bearings are factory lubricated with Shell Alvania #2 lubricant. For applications where extreme ambient temperatures or speeds are anticipated or environmental considerations require a different lubricant, DODGE has a wide variety of lubricants available. Special lubricant options usually require set-up charges and premiums.

SEALS

The PROGUARD PLUS seal is a highly effective positive contact, land riding seal designed to meet the requirements for the majority of applications. For extreme contamination or high pressure wash down, flingers can be added to provide additional protection. For high speeds or where seal drag would be an impediment, a labyrinth seal is available.

HIGH TEMPERATURE

DODGE high temperature bearings are designed to operate in temperatures from 225°F (108 C) to 400°F (205 C). The bearings have adjusted internal clearances, labyrinth seals, retainers, and lubricants to meet the temperature needs of the application. To insure proper replacement, the bearing is identified by a six digit part number etched on a stainless steel nameplate riveted to the housing. The part number identifies the specific feature of the bearing. High temperature bearings are factory assembled to order and are available at extra cost. Consult DODGE Engineering for application assistance at (864)297-4800 or fax (864) 281-2317.

AIR HANDLING

Industrial fans and blowers generally operate at high speeds with bearing requirements of long life and quiet operation. DODGE stocks a complete line of SC and SCM air handling ball bearings that are specifically designed to meet the requirements of the Air Handling Industry. However SXR air handling ball bearings in a wide variety of sizes and housing configurations can be supplied on a made/assembled to order basis. These bearings are 100% inspected for quiet operation and are recommended for fan and blower operations.

COATINGS

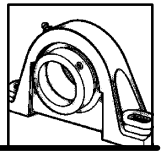
For extra corrosion resistance, a variety of housing finishes are available. Special coatings include nickel/chrome plating or polymer housing as an option. These coatings conform to U.S.D.A. and F.D.A. requirements. SXR inserts can be supplied with a thin dense chrome finish to the inner and outer rings, stainless steel balls and set-screws, and nickel plated flingers as well as F.D.A. lubricant.

OTHER MODIFICATIONS

For applications requiring modifications not listed, we encourage you to contact our Customer Order Engineering Department at (864) 297-4800 or fax (864) 281-2317.

FEATURE/BENEFITS ECCENTRIC COLLAR BALL BRGS PAGE B3-2	HOW TO ORDER/ NOMENCLATURE PAGE B3-4	RELATED PRODUCTS PAGE B2-123	RELATED PRODUCTS COATINGS SETSCREW SECTION PAGE B2-82
---	--	---------------------------------	---

RELATED PRODUCTS



DODGE Ball Bearing End Covers*

Series	Pillow Blocks Std, U, B	Tapped Base PB	2-Bolt Flange	4-Bolt Flange	Piloted Flange (FC)	Flanged Bracket	Narrow Slot Take-Up	Wide Slot Take-Up
203	X		X	X		X		
204	X	X	X	X		X	X	X
205	X	X	X	X		X	X	X
206	X	X	X	X	@	X	X	X
207	X	X	X	X	@	X	X	X
208	X	X	X	X	@		X	X
209	X	X	X	X	@		X	X
210	X	X	X	X	@	X	X	X
211	X	X	X	X	NA		X	X
212	X		X	X	NA		X	X
214	X			X	NA			X
215	X			X				X
216	X			X	X			X
218	X			X	X			

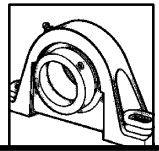
* = Will not fit LF, LFT, SCHB, HNGR & CLY

@ = Some modification required

NA = Will not fit

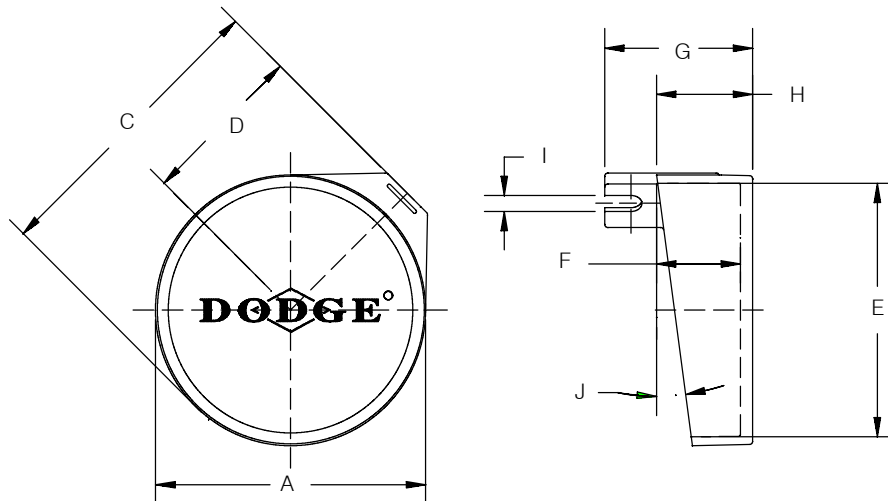
X = Will fit

HOW TO ORDER/ NOMENCLATURE PAGE B3-4	DIMENSIONS UNITS PAGE B3-10		
--	--------------------------------	--	--



Eccentric Collar Ball Bearings

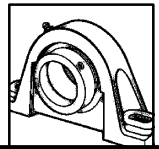
BALL BEARING END COVERS FOR PILLOW BLOCKS & TAPPED BASE UNITS



Series	Shaft Size*		Part Number	Description
	SC, VSC, DL, SXR, SXV	SCM, DLM, SCH, SXRH, DLH		
203	1/2 & 5/8 17mm	-----	128200	EC-203-P
204	1/2 - 3/4 20mm	-----	128202	EC-204-P
205	7/8 - 1 25mm	-----	128204	EC-205-P
206	1-1/16 - 1-1/4 30mm	----- 25mm	128206	EC-206-P
207	1-1/4 - 1-7/16 35mm	1-3/8 & 1-1/4 30mm	128208	EC-207-P
208	1-1/2 - 1-5/8 40mm	1-7/16 35mm	128210	EC-208-P
209	1-5/8 - 1-3/4 45mm	1-1/2 40mm	128212	EC-209-P
210	1-15/16 & 2 50mm	1-11/16 & 1-3/4 45mm	128214	EC-210-P
211	2 - 2-1/4 55mm	1-15/16 & 2 50mm	128216	EC-211-P
212	2-1/4 - 2-7/16 60mm	2-3/16 - 2-1/4 55mm	128218	EC-212-P

*NOTE: SCH, SXRH, and DLH use the next larger end cover. E.g. A P2B-DLH-103 would use a EC-207-P.

RELATED PRODUCTS



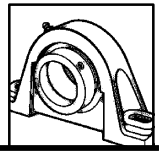
Eccentric Collar Ball Bearings

BALL BEARING END COVERS FOR PILLOW BLOCKS & TAPPED BASE UNITS

Series	Shaft Size*		Weight lbs gm	A	C	D	E	F	G	H	I	J
	SC, VSC, DL, SXR, SXV	SCM, DLM, SCH, SXRH, DLH										
203	1/2 & 5/8 17mm	-----	.02 9	1-25/32 45.2	2-7/64 53.6	1-3/32 27.7	1-41/64 41.7	49/64 19.56	1-29/64 37.1	29/32 22.9	1/4 6.4	9
204	1/2 - 3/4 20mm	-----	.03 14	2-3/64 52.0	2-37/64 65.3	1-19/64 33.0	1-55/64 47.2	1-1/64 25.65	1-49/64 45.0	1-5/32 29.5	5/16 7.9	11
205	7/8 - 1 25mm	-----	.05 23	2-3/8 60.2	2-13/16 71.4	1-3/16 35.0	2-5/32 54.9	1-1/16 26.92	1-7/8 47.8	1-7/32 31.0	11/32 8.6	9
206	1-1/16 - 1-1/4 30mm	----- 25mm	.07 34	2-47/64 69.3	3-21/64 84.3	1-45/64 43.2	2-1/2 63.5	1-15/64 31.50	2-5/32 54.9	1-13/32 35.6	23/64 8.9	9
207	1-1/4 - 1-7/16 35mm	1-3/6 & 1-1/4 30mm	.11 48	3-1/4 82.6	3-51/64 96.3	1-29/32 48.5	3-1/64 76.7	1-5/16 33.27	2-11/32 59.4	1-31/64 37.6	3/8 9.4	7 30'
208	1-1/2 - 1-5/8 40mm	1-7/16 35mm	.13 61	3-3/8 85.9	4 101.6	2-1/16 52.3	3-7/64 79.0	1-19/64 33.02	2-13/32 61.0	1-1/2 38.1	27/64 10.7	6
209	1-5/8 - 1-3/4 45mm	1-1/2 40mm	.15 69	3-11/16 93.7	4-17/64 108.2	2-11/64 55.1	3-13/32 86.6	1-21/64 33.78	2-21/64 59.2	1-17/32 38.9	25/64 9.9	7
210	1-15/16 & 2 50mm	1-11/16 & 1-3/4 45mm	.17 78	3-7/8 98.6	4-1/2 114.3	2-19/32 59.2	3-37/64 90.9	1-23/64 34.29	2-1/2 63.5	1-9/16 39.6	31/64 12.5	9
211	2 - 2-1/4 55mm	1-15/16 & 2 50mm	.22 102	4-27/64 112.3	5-1/16 128.5	2-19/32 66.0	4-1/8 104.7	1-13/32 35.81	2-37/64 65.3	1-5/8 41.2	29/64 11.4	7
212	2-1/4 - 2-7/16 60mm	2-3/16 - 2-1/4 55mm	.26 118	4-59/64 125.0	5-29/64 138.7	2-3/4 69.9	4-39/64 117.1	1-17/32 38.86	2-11/16 68.3	1-3/4 44.5	13/32 10.4	8

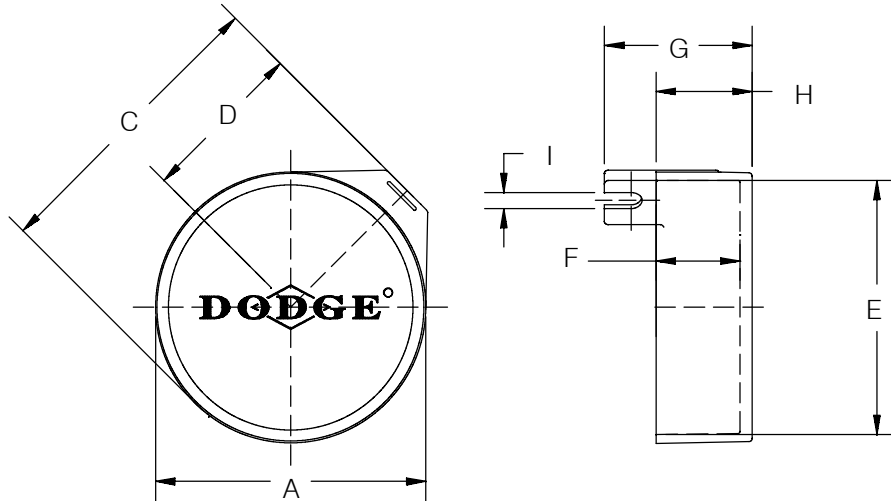
HOW TO ORDER/ NOMENCLATURE PAGE B3-4	DIMENSIONS UNITS PAGE B3-10		
--	--------------------------------	--	--

RELATED PRODUCTS



Eccentric Collar Ball Bearings - Inch

BALL BEARING END COVERS FOR MOUNTED UNITS OTHER THAN PILLOW BLOCKS & TAPPED BASE UNITS

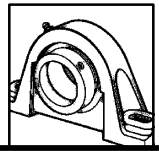


Series	Shaft Size*		Part Number	Description
	SC, VSC, DL, SXR, SXV	SCM, DLM, SCH, SXRH, DLH		
203	1/2 & 5/8 17mm	-----	128201	EC-203-X
204	1/2 - 3/4 20mm	-----	128203	EC-204-X
205	7/8 - 1 25mm	-----	128205	EC-205-X
206	1-1/16 - 1-1/4 30mm	----- 25mm	128207	EC-206-X
207	1-1/4 - 1-7/16 35mm	1-3/6 & 1-1/4 30mm	128209	EC-207-X
208	1-1/2 - 1-5/8 40mm	1-7/16 35mm	128211	EC-208-X
209	1-5/8 - 1-3/4 45mm	1-1/2 40mm	128213	EC-209-X
210	1-15/16 & 2 50mm	1-11/16 & 1-3/4 45mm	128215	EC-210-X
211	2 - 2-1/4 55mm	1-15/16 & 2 50mm	128217	EC-211-X
212	2-1/4 - 2-7/16 60mm	2-3/16 - 2-1/4 55mm	128219	EC-212-X

*NOTE: Above end covers will not fit the LF and LFT bearings

HOW TO ORDER/ NOMENCLATURE PAGE B3-4	DIMENSIONS UNITS PAGE B3-10		
--	--------------------------------	--	--

RELATED PRODUCTS

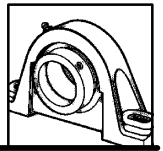


Eccentric Collar Ball Bearings - Inch

BALL BEARING END COVERS FOR MOUNTED UNITS OTHER THAN PILLOW BLOCKS & TAPPED BASE UNITS

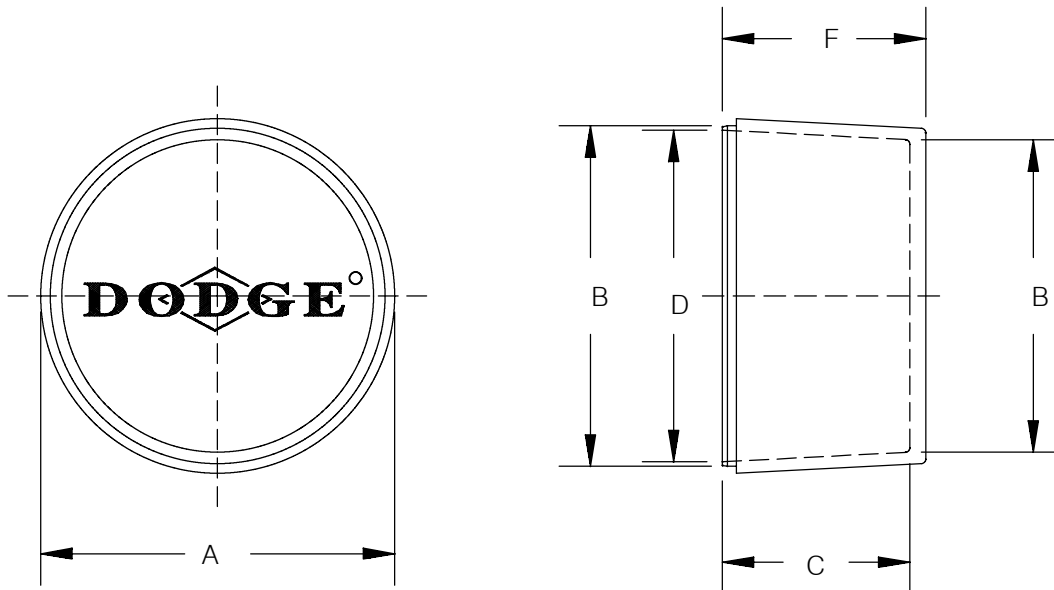
Series	Shaft Size*		Weight lbs gm	A	C	D	E	F	G	H	I
	SC, VSC, DL, SXR, SXV	SCM, DLM, SCH, SXRH, DLH									
203	1/2 & 5/8 17mm	-----	0.02 10	1-51/64 45.5	2-13/64 56.1	1-3/16 30.2	1-41/64 41.7	51/64 20.3	1-29/64 37.1	15/16 23.9	1/4 6.4
204	1/2 - 3/4 20mm	-----	0.03 15	2-7/32 56.1	2-47/64 69.6	1-25/64 35.3	2-1/32 51.6	1-1/64 25.7	1-13/16 45.7	1-5/32 29.5	5/16 7.9
205	7/8 - 1 25mm	-----	0.05 24	2-3/8 60.2	3-3/64 77.2	1-19/32 40.6	2-5/32 54.9	1-1/64 25.7	1-53/64 46.5	1-11/64 29.7	11/32 8.7
206	1-1/16 - 1-1/4 30mm	----- 25mm	0.08 36	2-47/64 69.3	3-21/64 84.3	1-45/64 43.2	2-1/2 63.5	1-3/16 30.2	2-1/16 52.3	1-23/64 34.5	23/64 8.9
207	1-1/4 - 1-7/16 35mm	1-3/6 & 1-1/4 30mm	0.12 53	3-1/4 82.6	3-27/32 97.5	1-31/32 50.0	3-1/64 76.7	1-11/32 34.5	2-11/32 59.4	1-17/32 38.9	3/8 9.4
208	1-1/2 - 1-5/8 40mm	1-7/16 35mm	0.14 64	3-3/8 85.9	4 101.6	2-1/16 52.3	3-7/64 79.0	1-19/64 33.0	2-13/32 61.0	1-1/2 38.1	27/64 10.7
209	1-5/8 - 1-3/4 45mm	1-1/2 40mm	0.16 73	3-11/16 93.7	4-17/64 108.2	2-11/64 55.1	3-13/32 86.6	1-23/64 34.3	2-21/64 59.2	1-17/32 38.9	25/64 9.9
210	1-15/16 & 2 50mm	1-11/16 & 1-3/4 45mm	0.18 82	3-7/8 98.6	4-1/2 114.3	2-21/64 59.2	3-9/16 90.9	1-23/64 34.3	2-33/64 63.8	1-9/16 39.6	31/64 12.4
211	2 - 2-1/4 55mm	1-15/16 & 2 50mm	0.24 108	4-27/64 112.3	5-1/16 128.5	2-19/32 66.0	4-1/8 104.7	1-29/64 36.8	2-37/64 65.3	1-21/32 42.2	29/64 11.4
212	2-1/4 - 2-7/16 60mm	2-3/16 - 2-1/4 55mm	0.27 124	4-59/64 125.0	5-15/32 138.7	2-3/4 69.9	4-39/64 117.1	1-35/64 39.1	2-11/16 68.3	1-3/4 44.5	13/32 10.4

HOW TO ORDER/ NOMENCLATURE PAGE B3-4	DIMENSIONS UNITS PAGE B3-10		
--	--------------------------------	--	--



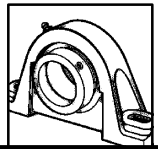
Eccentric Collar Ball Bearings - Metric

BALL BEARING END COVERS FOR MOUNTED UNITS 214 SERIES & LARGER



Series	Shaft Size		Part Number	Description
	SC, VSC, DL, SXR, SXV, SCH SXRH, DLH	SC, VSC, DL, SCM & DLM		
214	2-1/2 & 2-11/16 70mm	2-7/16 & 2-1/2 65mm	128220	EC-214
215	2-15/16 75mm	2-11/16 70mm	128221	EC-215
216	-----	2-15/16 & 3 75mm	128222	EC-216
218	-----	3-7/16 & 3-1/2 85mm	128223	EC-218

RELATED PRODUCTS



Eccentric Collar Ball Bearings - Metric

BALL BEARING END COVERS FOR MOUNTED UNITS 214 SERIES & LARGER

Series	Shaft Size		Weight lbs gm	A	B	C	D	E	F
	SC, VSC, DL, SXR, SXV, SCH SXRH, DLH	SCM & DLM							
214	2-1/2 & 2-11/16 70mm	2-7/16 & 2-1/2 65mm	0.33 151	4-15/16 125.5	4-7/16 112.8	2-39/64 66.3	4-39/64 117.1	4.741/4.737 120.4/120.3	2-53/64 71.9
215	2-15/16 75mm	2-11/16 70mm	0.36 154	5-3/32 129.3	4-49/64 120.9	2-29/64 62.5	4-3/4 120.7	4.944/4.940 125.6/125.5	2-7/8 72.9
216	-----	2-15/16 & 3 75mm	0.44 201	5-9/16 141.2	5-15/64 132.8	2-47/64 69.6	5-13/64 132.1	5.350/5.346 135.9/135.8	2-63/64 75.7
218	-----	3-7/16 & 3-1/2 85mm	0.57 257	6-5/16 130.3	5-29/32 149.9	2-27/32 72.1	5-15/16 150.6	6.100/6.096 154.9/154.8	3-3/32 78.5

HOW TO ORDER/ NOMENCLATURE PAGE B3-4	DIMENSIONS UNITS PAGE B3-10		
--	--------------------------------	--	--

NOTES

