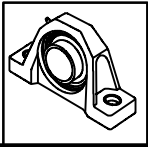
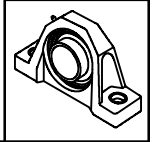


CONTENTS



E-Z KLEEN[®] Polymer-Housed Ball & Sleeve Bearings

- Features/Benefits B1-1
- How To Order/ Nomenclature B1-4
- Easy Selection B1-5
- Selection/Dimensions B1-14
- Interchange B1-38
- Accessories B1-40
- Part Number Index INDEX-1
- Keyword Index INDEX-28



FEATURES/BENEFITS

Polymer-Housed Ball Bearings

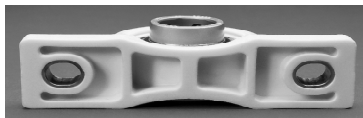
Our goal at DODGE is to create the world's most successful customer. We do that by listening and responding to our customers' needs. Customers in the food and beverage processing industry told us they needed new and improved products that help make their industry safer – products that help in the fight against contamination from bacteria such as E. coli, salmonella, and staphylococcus aureus.

DODGE delivered by expanding our high performance E-Z KLEEN line with this new, improved generation of E-Z KLEEN engineered polymer-housed ball and sleeve bearings.



New DODGE E-Z KLEEN with solid-based housing

Competitive bearing with cavities and fillings that can trap bacteria



RUGGED, SOLID-BASE HOUSING

- Manufactured with no cavities and no fillings – no traps for bacteria
- Features anti-microbial polymer that helps prevent bacterial and fungal growth
- Housing strength exceeds static capacity of bearing
- Designed with stainless steel lube fittings and stainless-steel ferrules in bolt holes
- For no relube (NL) – remove the lube fitting and install the polymer plug that is shipped with each earing
- Retains dimensional stability in harsh environments
- Resists flaking and peeling, even after repeated washdowns
- Provides excellent chemical resistance
- Available with end closures
- FDA/USDA compliant

RESULTS OF HOUSING ANTI-MICROBIAL ACTIVITY AGAINST TEST ORGANISMS

TEST ORGANISM	TYPE OF ORGANISM	GROWTH-FREE ZONE (MM)	CONTACT INHIBITION (%)
Staphylococcus aureus	Bacterial	0	100
Aspergillus niger	Fungal	0	100

CORROSION-RESISTANT BALL BEARING INSERTS

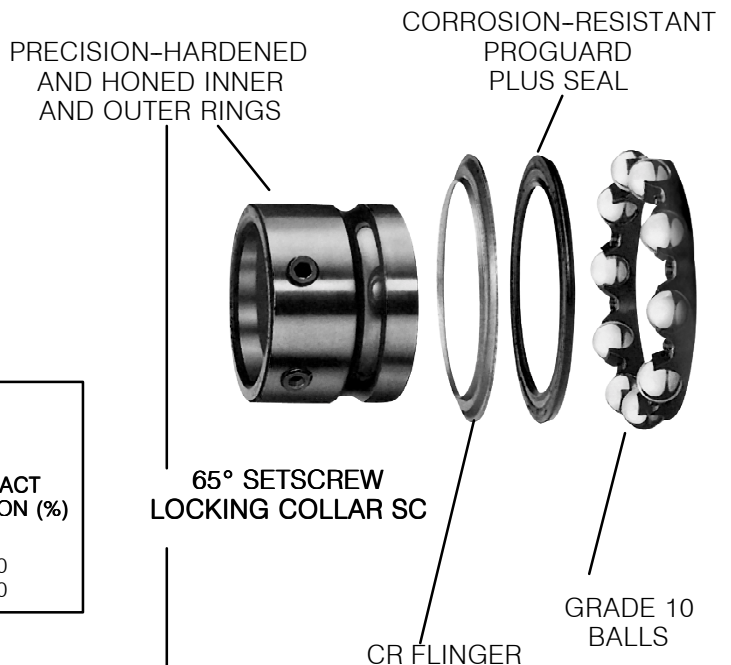
- Corrosion-resistant PROGUARD™ Plus seal
- Corrosion-resistant inner and outer ring
- Stainless-steel setscrews (SC) and CR capscrew (D-LOK)
- FDA/USDA-approved lubricant
- Relubricable
- Anti-rotation pin
- Reinforced, stabilized nylon cage
- Offered in inch and metric sizes
- Temperature range -20° to +225° F

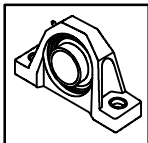
TWO SHAFT-LOCKING SYSTEMS FROM STOCK

- SC – Two stainless-steel setscrews set 65° apart
- D-LOK – Corrosion-resistant concentric collar

POPULAR HOUSING STYLES

- Pillow blocks
- Tapped-base pillow blocks
- 2- and 4-bolt flange bearings
- Flange brackets
- Wide slot take-up bearings

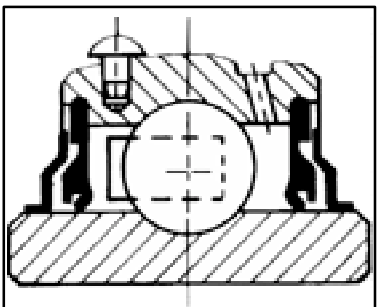




FEATURES/BENEFITS

Polymer-Housed Ball Bearings

DODGE PROGUARD™ PLUS SEAL



Corrosion-resistant PROGUARD Plus seal with flingers – a combination contact land-riding seal and labyrinth – keeps lubricants in, contaminants out.



D-LOK DL

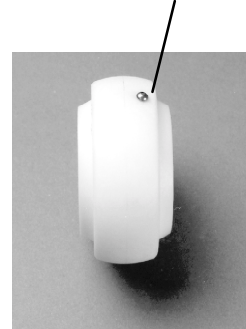
PRECISION-HARDENED AND HONED INNER AND OUTER RINGS

Precision-hardened and honed inner and outer rings for wear resistance, quieter operation, and longer life.

ANTI-ROTATION PIN

Anti-rotation pin prevents rotation of the insert within the housing. Simple and effective, it makes inserts easier to replace.

STAINLESS-STEEL ANTI-ROTATION PIN



POLYMER SLEEVE

E-Z KLEEN POLYMER-HOUSED BEARING WITH POLYMER SLEEVE INSERT



- Targeted for wet, cool, and cold-side environments/applications
- Self-lubricating polymer sleeve insert
- All polymer and stainless-steel construction
- Features stainless-steel anti-rotation pin on sphere of insert
- Resists fungus and bacterial growth
- Ensures quiet operation
- Conforms to FDA/USDA specifications
- Offered in both inch and meter sizes

ANTI-ROTATION PIN

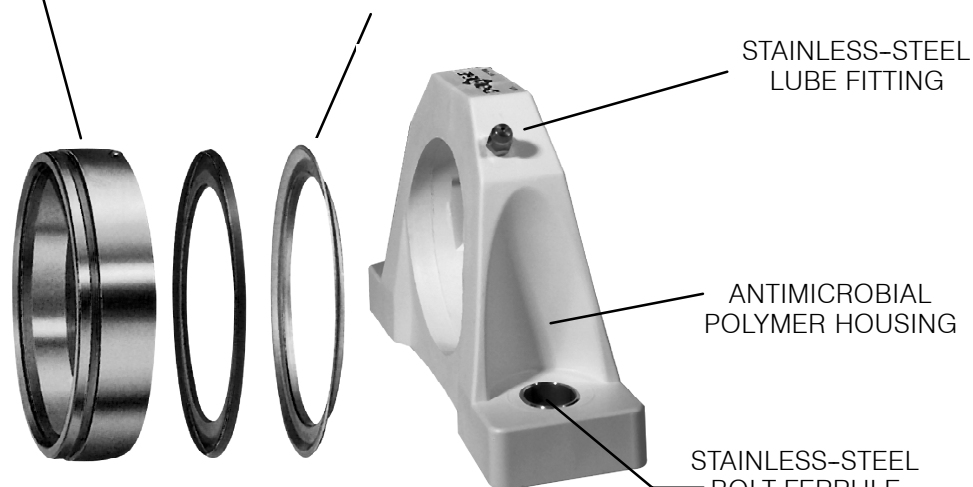
CORROSION-RESISTANT FLINGER

STAINLESS-STEEL LUBE FITTING

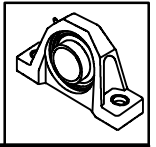
ANTIMICROBIAL POLYMER HOUSING

STAINLESS-STEEL BOLT FERRULE

CORROSION-RESISTANT PROGUARD PLUS SEAL



HOW TO ORDER/ NOMENCLATURE



Polymer-Housed Units

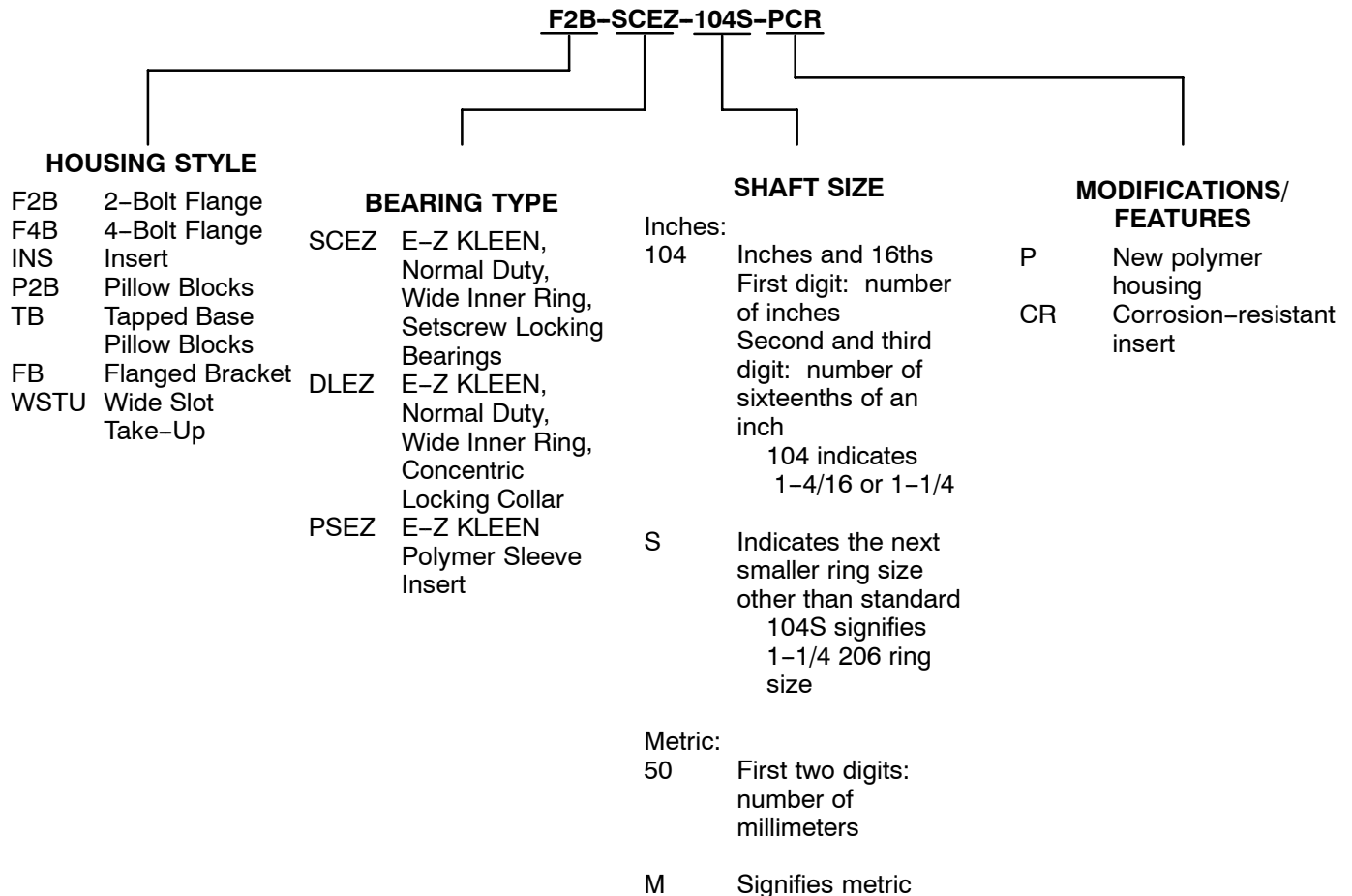
HOW TO ORDER

There are two ways to specify DODGE polymer-housed ball bearings. Most of the product offerings have part numbers with listings shown throughout this brochure. Use of part numbers ensures accurate order processing.

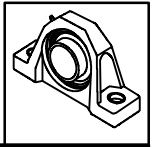
When part numbers are not shown, the product may be specified by description or part name. This method is used when ordering units that include modifications or options. To order by description, use the nomenclature key shown below, and add any special instructions to the end of the description for options not covered by the nomenclature.

NOMENCLATURE

The following is an explanation of the DODGE polymer-housed ball bearing nomenclature system. For example:



FEATURES/BENEFITS PAGE B1-2	HOW TO ORDER/ NOMENCLATURE PAGE B1-4	SELECTION PAGE B1-5	INTERCHANGE PAGE B1-38
--------------------------------	--	------------------------	---------------------------



EASY SELECTION

Selection Of DODGE E-Z Kleen Polymer-Housed Ball Bearings

DODGE polymer-housed ball bearings are primarily designed for radial loading. However, they have the capacity to carry thrust loads and combined radial/thrust loads. The maximum recommended load which can be applied is limited by various components in the system, such as bearing, housing, shaft, shaft attachment, speed, and life requirements as listed in this catalog and the instruction manual that accompanies each bearing. DODGE polymer-housed ball bearings have been applied successfully when these limits have been exceeded under controlled operating conditions. Contact DODGE Engineering, 864-297-2800, for applications which exceed these recommendations.

Select a bearing from the Selection Tables that has a radial load rating at the operating speed equal to or greater than the calculated Equivalent Radial Load for a desired (Table 2 for English shaft sizes and Table for metric shaft sizes.) This simple method is all that is required for the majority of general applications and provides for occasional average shock loads.

L₁₀ Hours Life – is the life which may be expected from at least 90% of a given group of bearings operating under identical conditions.

Heavy Service – For heavy shock loads, frequent shock loads or severe vibrations, add up to 50% (according to severity of conditions) to the Equivalent Radial Load to obtain a Modified Equivalent Radial Load. Consult Application Engineering for additional selection assistance.

A maximum thrust load value of C/10 is recommended as a guide for general applications and will give adequate L₁₀ life. If the thrust load exceeds this limit, it is advisable to use auxiliary thrust carrying devices, such as a shaft shoulder, snap ring, or a thrust collar. Where substantial radial load pulls the housing away from the mounting base, both the hold-down bolts and housing must be of adequate strength. Auxiliary load carrying devices, such as shear bars, are advisable for side or end-loading of pillow blocks and radial loads for flange units.

To determine the L₁₀ hours life for loads and RPMs not listed, use the following equation:

$$L_{10} = \left(\frac{C}{P}\right)^3 \times \frac{16667}{n}$$

Where:

- L₁₀ = Life, hours
- C = Dynamics capacity, lbs, (N)
- P = Equivalent Radial Load, lbs, (N)
- n = Rotational speed, RPM

When the load on a ball bearing is solely a radial load with no thrust (axial) load, the Equivalent Radial Load (P) is equal to the actual radial load. However, when the thrust (axial) load is applied, the radial and thrust loads applied must be converted into an Equivalent Radial Load. The use of the X (radial factor) and Y

(thrust factor) from Table 1 convert the actual applied thrust and radial loads to an Equivalent Radial Load, which has the same effect on the life of a bearing as a radial load on this magnitude.

$$P = (X \times F_R) + (Y \times F_A)$$

Where:

- P = Equivalent Radial Loads, lbs
- F_R = Radial load, lbs
- F_A = Thrust load, lbs
- e = Thrust load to radial load factor (Table 1)
- X = Radial load factor (Table 1)
- Y = Thrust factor (Table 1)
- C_O = Basic static capacity (Table 2 or 3)

To find X and Y, first calculate F_A/C_O to determine e. Calculate F_A/F_R, and compare to e to determine the X and Y factors to use from Table 1.

Substitute all known values into the Equivalent Radial Load equation. The Equivalent Radial Load (P) thus determined can be used in the L₁₀ life formula or compared to the allowable Equivalent Radial Load rating desired in the expanded rating chart to select a bearing (Table 2 or 3).

If calculated value of P is less than F_R, use P = F_R.

Table 1

$\frac{F_A}{C_O}$	e	Radial/Thrust Factors			
		If F _A /F _R is equal to or less than e		If F _A /F _R is greater than e	
		F _A /F _R ≤ e		F _A /F _R ≥ e	
		X	Y	X	Y
.014	.19	1	0	.56	2.30
.021	.21	1	0	.56	2.15
.028	.22	1	0	.56	1.99
.042	.24	1	0	.56	1.85
.056	.26	1	0	.56	1.71
.070	.27	1	0	.56	1.63
.084	.28	1	0	.56	1.55
.110	.30	1	0	.56	1.45
.170	.34	1	0	.56	1.31
.280	.38	1	0	.56	1.15
.420	.42	1	0	.56	1.04
.560	.44	1	0	.56	1.00

FEATURES/BENEFITS PAGE B1-2	HOW TO ORDER/ NOMENCLATURE PAGE B1-4	INTERCHANGE PAGE B1-38	
--------------------------------	--	---------------------------	--

EASY SELECTION

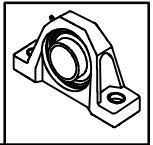


TABLE 2 – EASY SELECTION FOR POLYMER-HOUSED BALL BEARING MOUNTED UNITS – INCH

Load ratings in pounds (lbs)

RING SIZE	SHAFT SIZE	DYNAMIC CAPACITY C, lbs.	STATIC CAPACITY C ₀ , LBS	L ₁₀ LIFE HOURS	ALLOWABLE EQUIVALENT RADIAL LOAD RATINGS (lbs) AT VARIOUS RPM*															
					50	150	250	500	750	1000	1500	1750	2000	2500	3000	3500	4500	5000	5500	7500
204	3/4	2899	1390	20000	740	515	435	345	300	275	240	225	215	200	190	180	165	160	155	140
				30000	645	450	380	300	260	240	210	200	190	175	165	155	145	140	135	120
				40000	590	410	345	275	240	215	190	180	170	160	150	145	130	125	125	110
				60000	515	355	300	240	210	190	165	155	150	140	130	125	115	110	105	95
				100000	435	300	255	200	175	160	140	130	125	115	110	105	190	95	90	80
205	7/8 15/16 1	3146	1565	20000	805	560	470	375	325	295	260	245	235	220	205	195	180	175	170	150
				30000	705	485	410	325	285	260	225	215	205	190	180	170	155	150	145	130
				40000	640	445	375	295	260	235	205	195	185	175	165	155	140	135	135	120
				60000	560	385	325	260	225	205	180	170	165	150	140	135	125	120	115	105
				100000	470	325	275	220	190	175	150	145	135	125	120	115	195	100	100	90
206	1-1/8 1-3/16 1-1/4	4368	2250	20000	1115	775	655	520	455	410	360	340	325	305	285	270	250	240	235	
				30000	975	675	570	455	395	360	315	300	285	265	250	235	220	210	205	
				40000	885	615	520	410	360	325	285	270	260	240	225	215	200	190	185	
				60000	775	535	455	360	315	285	250	235	225	210	200	190	175	165	160	
				100000	655	455	380	305	265	240	210	200	190	175	165	160	145	140	135	
207	1-1/4 1-3/8 1-7/16	5759	3065	20000	1475	1020	860	685	595	545	475	450	430	400	375	355	330	315	305	
				30000	1285	890	755	595	520	475	415	395	375	350	330	310	285	275	270	
				40000	1170	810	685	545	475	430	375	355	340	315	300	285	260	250	245	
				60000	1020	710	595	475	415	375	330	310	300	275	260	250	230	220	215	
				100000	860	595	505	400	350	315	275	265	250	235	220	210	190	185	180	
208	1-1/2	7332	4005	20000	1875	1300	1095	870	760	690	605	575	550	510	480	455	420	405		
				30000	1640	1135	960	760	665	605	525	500	480	445	420	400	365	355		
				40000	1490	1030	870	690	605	550	480	455	435	405	380	360	330	320		
				60000	1300	900	760	605	525	480	420	400	380	355	330	315	290	280		
				100000	1095	760	640	510	445	405	355	335	320	300	280	265	245	235		
209	1-5/8 1-11/16 1-3/4	7891	4450	20000	2020	1400	1180	935	820	745	650	615	590	550	515	490	450	435		
				30000	1765	1225	1030	820	715	650	570	540	515	480	450	430	395	380		
				40000	1600	1110	935	745	650	590	515	490	470	435	410	390	360	345		
				60000	1400	970	820	650	570	515	450	430	410	380	360	340	310	300		
				100000	1180	820	690	550	480	435	380	360	345	320	300	285	265	255		
210	1-15/16 2	7891	4450	20000	2020	1400	1180	935	820	745	650	615	590	550	515	490	450			
				30000	1765	1225	1030	820	715	650	570	540	515	480	450	430	395			
				40000	1600	1110	935	745	650	590	515	490	470	435	410	390	360			
				60000	1400	970	820	650	570	515	450	430	410	380	360	340	310			
				100000	1180	820	690	550	480	435	380	360	345	320	300	285	265			

*SLIGHT INTERFERENCE FIT REQUIRED WHEN OPERATING TO THE RIGHT OF THE HEAVY LINE OR IN THE SHADED AREA

Note: Because the allowable loads – especially at low speeds – are extremely high, be sure the shaft strength is adequate and the pillow blocks are base loaded. When imposed load is horizontal, be sure hold-down bolts are adequate. If bearings are cap loaded, full details on load, speed, and shaft size should be referred to DODGE Application Engineering.

FEATURES/BENEFITS PAGE B1-2	HOW TO ORDER/ NOMENCLATURE PAGE B1-4	INTERCHANGE PAGE B1-38	
--------------------------------	--	---------------------------	--

EASY SELECTION

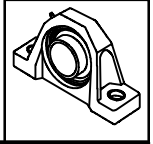


TABLE 3 – EASY SELECTION FOR POLYMER-HOUSED BALL BEARING MOUNTED UNITS – METRIC

Load ratings in Newtons (N)

RING SIZE	SHAFT SIZE	DYNAMIC CAPACITY C, N	STATIC CAPACITY C ₀ , N	L ₁₀ LIFE HOURS	ALLOWABLE EQUIVALENT RADIAL LOAD RATINGS (N) AT VARIOUS RPM*															
					50	150	250	500	750	1000	1500	1750	2000	2500	3000	3500	4500	5000	5500	7500
204	20mm	12895	6183	20000	3292	2291	1935	1535	1334	1223	1068	1001	956	890	845	801	734	712	689	623
				30000	2869	2002	1690	1334	1156	1068	934	890	845	778	734	689	645	623	600	534
				40000	2624	1824	1535	1223	1068	956	845	801	756	712	667	645	578	556	556	489
				60000	2291	1579	1334	1068	934	845	734	689	667	623	578	556	512	489	467	423
				100000	1935	1334	1134	890	778	712	623	578	556	512	489	467	400	423	400	356
205	25mm	13993	6961	20000	3581	2491	2091	1668	1446	1312	1156	1090	1045	979	912	867	801	778	756	667
				30000	3136	2157	1824	1446	1268	1156	1001	956	912	845	801	756	689	667	645	578
				40000	2847	1979	1668	1312	1156	1045	912	867	823	778	734	689	623	600	600	534
				60000	2491	1712	1446	1156	1001	912	801	756	734	667	623	600	556	534	512	467
				100000	2091	1446	1223	979	845	778	667	645	600	556	534	512	467	445	445	400
206	30mm	19429	10008	20000	4960	3447	2913	2313	2024	1824	1601	1512	1446	1357	1268	1201	1112	1068	1045	
				30000	4337	3002	2535	2024	1757	1601	1401	1334	1268	1179	1112	1045	979	934	912	
				40000	3936	2736	2313	1824	1601	1446	1268	1201	1156	1068	1001	956	890	845	823	
				60000	3447	2380	2024	1601	1401	1268	1112	1045	1001	934	890	845	778	734	712	
				100000	2913	2024	1690	1357	1179	1068	934	890	845	778	734	712	645	623	600	
207	35mm	25616	13633	20000	6561	4537	3825	3047	2647	2424	2113	2002	1913	1779	1668	1579	1468	1401	1357	
				30000	5716	3959	3358	2647	2313	2113	1846	1757	1668	1557	1468	1379	1268	1223	1201	
				40000	5204	3603	3047	2424	2113	1913	1668	1579	1512	1401	1334	1268	1156	1112	1090	
				60000	4537	3158	2647	2113	1846	1668	1468	1379	1334	1223	1156	1112	1023	979	956	
				100000	3825	2647	2246	1779	1557	1401	1223	1179	1112	1045	979	934	845	823	801	
208	40mm	32613	17814	20000	8340	5782	4871	3870	3380	3069	2691	2558	2446	2268	2135	2024	1868	1801		
				30000	7295	5048	4270	3380	2958	2691	2335	2224	2135	1979	1868	1779	1624	1579		
				40000	6628	4581	3870	3069	2691	2446	2135	2024	1935	1801	1690	1601	1468	1423		
				60000	5782	4003	3380	2691	2335	2135	1868	1779	1690	1579	1468	1401	1290	1245		
				100000	4871	3380	2847	2268	1979	1801	1579	1490	1423	1334	1245	1179	1090	1045		
209	45mm	35099	19794	20000	8985	6227	5249	4159	3647	3314	2891	2736	2624	2446	2291	2180	2002	1935		
				30000	7851	5449	4581	3647	3180	2891	2535	2402	2291	2135	2002	1913	1757	1690		
				40000	7117	4937	4159	3314	2891	2624	2291	2180	2091	1935	1824	1735	1601	1535		
				60000	6227	4315	3647	2891	2535	2291	2002	1913	1824	1690	1601	1512	1379	1334		
				100000	5249	3647	3069	2446	2135	1935	1690	1601	1535	1423	1334	1268	1179	1134		
210	50mm	35099	19794	20000	8985	6227	5249	4159	3647	3314	2891	2736	2624	2446	2291	2180	2002			
				30000	7851	5449	4581	3647	3180	2891	2535	2402	2291	2135	2002	1913	1757			
				40000	7117	4937	4159	3314	2891	2624	2291	2180	2091	1935	1824	1735	1601			
				60000	6227	4315	3647	2891	2535	2291	2002	1913	1824	1690	1601	1512	1379			
				100000	5249	3647	3069	2446	2135	1935	1690	1601	1535	1423	1334	1268	1179			

*SLIGHT INTERFERENCE FIT REQUIRED WHEN OPERATING TO THE RIGHT OF THE HEAVY LINE OR IN THE SHADED AREA

Note: Because the allowable loads – especially at low speeds – are extremely high, be sure the shaft strength is adequate and the pillow blocks are base loaded. When imposed load is horizontal, be sure hold-down bolts are adequate. If bearings are cap loaded, full details on load, speed, and shaft size should be referred to DODGE Application Engineering.

FEATURES/BENEFITS PAGE B1-2	HOW TO ORDER/ NOMENCLATURE PAGE B1-4	INTERCHANGE PAGE B1-38	
--------------------------------	--	---------------------------	--

EASY SELECTION

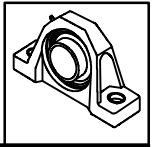


TABLE 4 – EASY SELECTION FOR POLYMER-HOUSED SLEEVE BEARING MOUNTED UNITS – INCH

RADIAL LOAD RATINGS (LBS) AT VARIOUS REVOLUTIONS PER MINUTE (RPM)

Series	Shaft Size	Up To 10	25	50	75	100	150	200	250
204	3/4	450	400	375	300	230	175	110	90
205	1	600	550	450	215	235	175	110	90
206	1-3/16 1-1/4	900	800	500	325	250	175	110	90
207	1-1/4 1-7/16	1000	900	600	400	300	175	120	95
208	1-1/2	1400	1200	700	430	320	180	125	95
209	1-11/16 1-3/4	1600	1400	725	435	335	180	125	95
210	1-15/16	1800	1600	750	450	350	185	130	100

RADIAL LOAD RATINGS (LBS) AT VARIOUS REVOLUTIONS PER MINUTE (RPM)

650Series	Shaft Size	300	350	400	450	500	550	600	650
204	3/4	60	50	45	40	35	25	20	15
205	1	60	50	45	40	35	25	20	15
206	1-3/16 1-1/4	65	60	50	40	35	30	25	20
207	1-1/4 1-7/16	70	65	55	45	40	35	30	
208	1-1/2	70	65	55	45	40	35		
209	1-11/16 1-3/4	70	65	55	45	40			
210	1-15/16	80	70	60	50	45			

Continuous operating temperature: -40 to 180° F

FEATURES/BENEFITS PAGE B1-2	HOW TO ORDER/ NOMENCLATURE PAGE B1-4	INTERCHANGE PAGE B1-38	
--------------------------------	--	---------------------------	--

EASY SELECTION

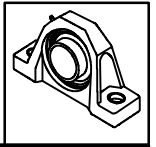


TABLE 5 – EASY SELECTION FOR POLYMER-HOUSED SLEEVE BEARING MOUNTED UNITS – METRIC

RADIAL LOAD RATINGS (NEWTONS N) AT VARIOUS REVOLUTIONS PER MINUTE (RPM)

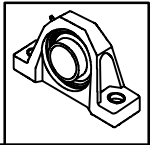
Series	Shaft Size	Up To 10	25	50	75	100	150	200	250
204	20	2000	1775	1665	1330	1020	775	485	400
205	25	2665	2445	2000	1400	1045	775	485	400
206	30	4000	3555	2220	1445	1110	775	485	400
207	35	4445	4000	2665	1775	1330	775	530	420
208	40	6225	5335	3110	1910	1420	8000	555	420
209	45	7115	6225	3220	1930	1490	8000	555	420
210	50	8005	7115	3335	2000	1555	820	575	440

RADIAL LOAD RATINGS (NEWTONS N) AT VARIOUS REVOLUTIONS PER MINUTE (RPM)

Series	Shaft Size	300	350	400	450	500	550	600	650
204	20	265	220	200	175	155	110	85	65
205	25	265	220	200	175	155	110	85	65
206	30	285	265	220	175	155	130	110	85
207	35	310	285	240	200	175	155	130	
208	40	310	285	240	200	175	155		
209	45	310	285	240	200	175			
210	50	355	310	265	220	200			

Continuous operating temperature: -40 to 82°C

FEATURES/BENEFITS PAGE B1-2	HOW TO ORDER/ NOMENCLATURE PAGE B1-4	INTERCHANGE PAGE B1-38	
--------------------------------	--	---------------------------	--



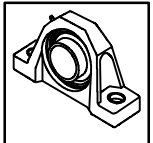
EASY SELECTION

E-Z KLEEN HOUSINGS

General Resistance to Chemical Groups at Room Temperature (20°C/68°F)		
Chemical Group	Condition Or Subgroup	Resistance
Inorganic Acids (non-oxidizing)	concentrated	-
	diluted (1:1)	+(1)
	highly diluted	+(1)
Inorganic Acids (oxidizing)	concentrated	-
	diluted (1:1)	-
	highly diluted	+
Organic Acids	concentrated	=
	diluted (1:1)	+
	highly diluted	+
Bases	concentrated	-
	diluted (1:1)	-
	highly diluted	=
Salt Solutions	acidic	+
	neutral	+
	basic	=
Aliphatic Hydrocarbons		+
	oils and greases	+
Aromatic Hydrocarbons		=
	phenols	-
Halogenated Hydrocarbons	perhalogenated	+
	partially halogenated	-
Alcohols	monovalent	+
	polyvalent	=
Ketones		=
Esters		=
Ethers		+
(1) except hydrofluoric acid		
(+) excellent resistance (=) good-fair resistance (-) fair-poor resistance (blank) no data available		

FEATURES/BENEFITS PAGE B1-2	HOW TO ORDER/ NOMENCLATURE PAGE B1-4	INTERCHANGE PAGE B1-38	
--------------------------------	--	---------------------------	--

EASY SELECTION

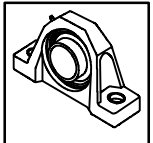


BALL BEARING AND POLYMER INSERT WITH E-Z KLEEN HOUSINGS

CHEMICAL RESISTANCE CHART						
Chemical Agent	Solution Conc.	@ 23°C (73°F)		@ 60°C (140°F)		@ 80°C (175°F)
		Housing	Polymer Insert	Housing	Polymer Insert	Housing
A						
Acetic Acid	5%	+	+	=		=
Acetic Acid	10%	+		=		=
Acetic Acid	20%	=	-	=	-	=
Acetic Acid	80%	=	-	=	-	=
Acetic Acid	100%	=		=		=
Acetone		=	=			
Ammonium Chloride	10%		+		+	
Ammonium Hydroxide	10%	=	-			
Ammonium Hydroxide	conc.	-				
Aniline		+	=		=	
B						
Benzene		=	=	=	=	
Bleaching Lye		+		+		
Brake Fluid		+	+	+	+	+
Butane		+				
Butanol		=		=		
Butyl Acetate		+		=		
C						
Calcium Chloride	5%	+	+	+		
Calcium Chloride	10%	+		+		
Calcium Hydroxide	10%		+		+	
Calcium Hypochlorite		+		+		
Carbon Disulphide		+				
Carbon Tetrachloride		+	+			
Castor Oil			+			
Chloroform		-				
Chromic Acid	40%	+		-		-
Citric Acid	10%	+		+		+
Cottonseed Oil		+		+		+
Cresol		-		-		-
D						
Detergents	1%	+	+	=		-
Detergents	25%	+	+	=		-
Dibutyl Phthalate		+		+		
Diesel Oil		+				
Dioxane		+	=	-	=	
E						
Ethanol		+	=			
Ether (diethyl-)		+				
Ethyl Acetate		=	=			
Ethylene Dichloride		-				
(+) excellent resistance (=) good-fair resistance (-) fair-poor resistance (blank) no data available						

FEATURES/BENEFITS PAGE B1-2	HOW TO ORDER/ NOMENCLATURE PAGE B1-4	INTERCHANGE PAGE B1-38	
--------------------------------	--	---------------------------	--

EASY SELECTION



BALL BEARING AND POLYMER INSERT WITH E-Z KLEEN HOUSINGS

CHEMICAL RESISTANCE CHART						
Chemical Agent	Solution Conc.	@ 23°C (73°F)		@ 60°C (140°F)		@ 80°C (175°F)
		Housing	Polymer Insert	Housing	Polymer Insert	Housing
F						
Ferrous Chloride	5%		+			
Formic Acid	5%	+		=		+
Formic Acid	90%	=		-		-
Freon 11		+				
G						
Gasoline		+	+			
Glycerol (Glycerin)		=		=		
Glycol		=		=		
Grease		+	+	+	+	+
H						
Heptane		+				
Hexane		+	+		+	
Hydrochloric Acid	10%	+	-	=	-	-
Hydrochloric Acid	90%	-	-	-	-	-
Hydrofluoric Acid	5%	-		-		-
Hydrofluoric Acid	50%	-		-		-
Hydrogen Peroxide	3%	+	+			
Hydrogen Peroxide	30%	=	+			
IJ						
Isoamyle Alcohol			=		=	
Isopropanol		=		=		
KL						
Kerosene		+	+		+	
Lithium Chloride	43%		+		+	
M						
Methanol		+	=		=	
Methylene Chloride		-	+	-		
Methyl Ethyl Ketone		+	+	=	+	
Methyl Salicylate			+			
Mineral Oil		+	+	+	+	+
Motor Oils		+	+	+	+	+
N						
Nitric Acid	10%	+	-	=	-	=
Nitric Acid	40%	-	-	-	-	-
Nitric Acid	70%	-	-	-	-	-
O						
Oleic Acid	100%	+		+		+
Olive Oil		+	+	+	+	+
P						
Perchloroethylene		+	=	=	=	
Petroleum Ether		+				
Phenol		=		-	-	-

(+) excellent resistance (=) good-fair resistance (-) fair-poor resistance (blank) no data available

FEATURES/BENEFITS PAGE B1-2	HOW TO ORDER/ NOMENCLATURE PAGE B1-4	INTERCHANGE PAGE B1-38	
--------------------------------	--	---------------------------	--



EASY SELECTION

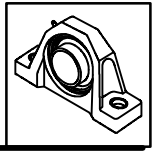
BALL BEARING AND POLYMER INSERT WITH E-Z KLEEN HOUSINGS

CHEMICAL RESISTANCE CHART

Chemical Agent	Solution Conc.	@ 23°C (73°F)		@ 60°C (140°F)		@ 80°C (175°F)
		Housing	Polymer Insert	Housing	Polymer Insert	Housing
P						
Phosphoric Acid	3%	+		+		+
Phosphoric Acid	30%	+	-	+	-	+
Phosphoric Acid	85%	+	-	+	-	-
Potassium Chloride	10%	+		=		-
Potassium Dichromate	10%	+				
Potassium Hydroxide	1%	-		-		-
Potassium Hydroxide	10%	-		-		-
Potassium Hydroxide	60%	-		-		-
Potassium Permanganate	10%	+	+		+	
S						
Silicone Fluids		+		+		+
Soap Solution	1%	+	+	=	=	-
Sodium Bicarbonate	10%	+		=		-
Sodium Bisulfate	5%		+			
Sodium Bisulfite	5%	+	-			
Sodium Bisulfite	10%	+	-	=		-
Sodium Carbonate	10%	+		-		-
Sodium Carbonate	20%	+		-		-
Sodium Chloride	10%	+	+	=	+	-
Sodium Hydroxide	1%	-		-		-
Sodium Hydroxide	10%	-	-	-		-
Sodium Hydroxide	60%	-		-		-
Sodium Hypochlorite	5%	+	-			
Sodium Hypochlorite	10%	+		=		-
Sulfuric Acid	3%	+	-	+	-	+
Sulfuric Acid	30%	+	-	+	-	-
Sulfuric Acid	98%	-	-	-	-	-
T						
Tetrahydrofuran		=				
Toulene		+	=			
Transformer Oil		+	+	+	+	+
Trichlorethylene		=				
Triethylamine			=		=	
Turpentine		+				
V						
Vaseline		+		+		+
Vegetable Oils		+	+	+	+	+
W						
Water		+	+	=	=	-
White Spirits		+				
X						
Xylene		+				

(+) excellent resistance (=) good-fair resistance (-) fair-poor resistance (blank) no data available

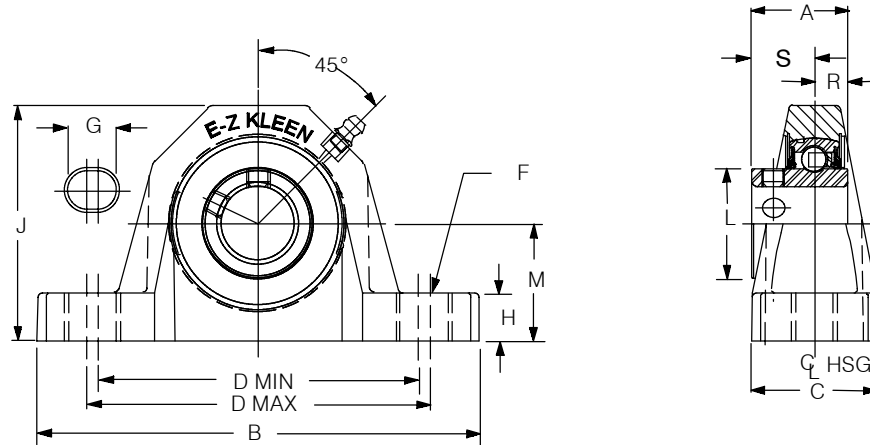
FEATURES/BENEFITS PAGE B1-2	HOW TO ORDER/ NOMENCLATURE PAGE B1-4	INTERCHANGE PAGE B1-38	
--------------------------------	--	---------------------------	--



SELECTION/DIMENSIONS

Polymer-Housed Units

SCEZ NORMAL DUTY POLYMER-HOUSED PILLOW BLOCKS

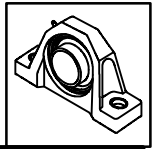


Series	Shaft Size	With Corrosion Resistant Insert		With Insert With Flingers		Beverage Bearing	
		Part Number	Description	Part Number	Description	Part Number	Description
204	1/2	@	P2B-SCEZ-008L-PCR	@	P2B-SCEZ-008L-P	@	P2B-SCEZ-008L-BEV
	5/8	@	P2B-SCEZ-010L-PCR	@	P2B-SCEZ-010L-P	@	P2B-SCEZ-010L-BEV
	3/4	127500	P2B-SCEZ-012-PCR	@	P2B-SCEZ-012-P	@	P2B-SCEZ-012-BEV
	20mm	127545	P2B-SCEZ-20M-PCR	@	P2B-SCEZ-20M-P	@	P2B-SCEZ-20M-BEV
205	7/8	@	P2B-SCEZ-014-PCR	@	P2B-SCEZ-014-P	@	P2B-SCEZ-014-BEV
	15/16	@	P2B-SCEZ-015-PCR	@	P2B-SCEZ-015-P	@	P2B-SCEZ-015-BEV
	1	127501	P2B-SCEZ-100-PCR	058597	P2B-SCEZ-100-P	@	P2B-SCEZ-100-BEV
	25mm	127546	P2B-SCEZ-25M-PCR	@	P2B-SCEZ-25M-P	@	P2B-SCEZ-25M-BEV
206 (SCU)	1-1/8	@	P2B-SCEZ-102-PCR	@	P2B-SCEZ-102-P	@	P2B-SCEZ-102-BEV
	1-3/16	127502	P2B-SCUEZ-103-PCR	@	P2B-SCUEZ-103-P	@	P2B-SCUEZ-103-BEV
	1-1/4	127503	P2B-SCUEZ-104S-PCR	058596	P2B-SCUEZ-104S-P	@	P2B-SCUEZ-104S-BEV
	30mm	127547	P2B-SCUEZ-30M-PCR	@	P2B-SCUEZ-30M-P	@	P2B-SCUEZ-30M-BEV
207	1-1/4	127504	P2B-SCEZ-104-PCR	@	P2B-SCEZ-104-P	@	P2B-SCEZ-104-BEV
	1-3/8	058944	P2B-SCEZ-106-PCR	@	P2B-SCEZ-106-P	@	P2B-SCEZ-106-BEV
	1-7/16	127505	P2B-SCEZ-107-PCR	@	P2B-SCEZ-107-P	@	P2B-SCEZ-107-BEV
	35mm	127548	P2B-SCEZ-35M-PCR	@	P2B-SCEZ-35M-P	@	P2B-SCEZ-35M-BEV
208	1-1/2	127506	P2B-SCBEZ-108-PCR	@	P2B-SCBEZ-108-P	@	P2B-SCBEZ-108-BEV
	1-5/8	@	P2B-SCEZ-110-PCR	@	P2B-SCEZ-110-P	@	P2B-SCEZ-110-BEV
	40mm	127549	P2B-SCBEZ-40M-PCR	@	P2B-SCBEZ-40M-P	@	P2B-SCBEZ-40M-BEV
209	1-5/8	@	P2B-SCEZ-110L-PCR	@	P2B-SCEZ-110L-P	@	P2B-SCEZ-110L-BEV
	1-11/16	127507	P2B-SCEZ-111-PCR	@	P2B-SCEZ-111-P	058640	P2B-SCEZ-111-BEV
	1-3/4	058931	P2B-SCEZ-112-PCR	@	P2B-SCEZ-112-P	@	P2B-SCEZ-112-BEV
	45mm	127550	P2B-SCEZ-45M-PCR	@	P2B-SCEZ-45M-P	@	P2B-SCEZ-45M-BEV
210	1-15/16	127508	P2B-SCEZ-115-PCR	@	P2B-SCEZ-115-P	@	P2B-SCEZ-115-BEV
	2	057898	P2B-SCEZ-200-PCR	@	P2B-SCEZ-200-P	@	P2B-SCEZ-200-BEV
	50mm	127551	P2B-SCEZ-50M-PCR	@	P2B-SCEZ-50M-P	@	P2B-SCEZ-50M-BEV

@ Assembled to order.

FEATURES/BENEFITS PAGE B1-2	HOW TO ORDER/ NOMENCLATURE PAGE B1-4	SELECTION PAGE B1-5	INTERCHANGE PAGE B1-38
--------------------------------	--	------------------------	---------------------------

SELECTION/DIMENSIONS

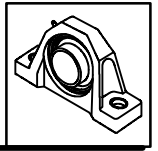


Polymer-Housed Units

SCEZ NORMAL DUTY POLYMER-HOUSED PILLOW BLOCKS

Series	Shaft Size	Weight lbs (kg)	A	B	C	D		F Bolt Dia.	G	H	J	L	M	R	S
						Min.	Max.								
204	1/2	0.8	1-5/32	5-3/64	1-31/64	3-43/64	3-31/32	3/8	19/32	19/32	2-21/32	1-1/8	1-5/16	0.422	0.734
	5/8	1.7													
	3/4	0.6													
	20mm	0.3	29.4	128.2	37.7	93.3	100.8	M10	15.1	15.1	67.5	28.6	33.3	10.7	18.7
205	7/8	0.9	1-3/16	5-33/64	1-31/64	3-63/64	4-9/32	3/8	19/32	19/32	2-7/8	1-5/16	1-7/16	0.422	0.766
	15/16	0.8													
	1	0.7													
	25mm	0.5	30.2	140.1	37.7	101.2	108.7	M10	15.1	15.1	73.0	33.3	36.5	10.7	19.4
206 (SCU)	1-1/8	1.3	1-25/64	6-11/32	9-1/2	4-39/64	4-59/64	1/2	23/32	11/16	3-3/8	1-37/64	1-11/16	0.484	0.906
	1-3/16	1.2													
	1-1/4	1.1													
	30mm	0.5	35.3	161.1	241.3	117.1	125.0	M12	18.3	17.5	85.7	40.1	42.9	12.3	23.0
207	1-1/4	1.7	1-17/32	6-37/64	1-7/8	4-27/32	5-5/32	1/2	23/32	23/32	3-13/16	1-27/32	1-7/8	0.500	1.031
	1-3/8	1.6													
	1-7/16	1.5													
	35mm	0.7	38.9	167.1	47.6	123.0	131.0	M12	18.3	18.3	96.8	46.8	47.6	12.7	26.2
208	1-1/2	2.1	1-11/16	7-15/64	2-1/8	5-7/64	5-11/16	1/2	7/8	3/4	4	2-3/64	1-15/16	0.594	1.094
	1-5/8	2.0													
	40mm	0.9	42.9	183.8	54.0	129.8	144.5	M12	22.2	19.1	101.6	52.0	49.2	15.1	27.8
209	1-5/8	2.4	1-23/32	7-15/64	2-1/8	5-29/64	6-3/64	1/2	7/8	53/64	4-3/8	2-7/32	2-1/8	0.594	1.125
	1-11/16	2.3													
	1-3/4	2.2													
	45mm	1.0	43.7	183.8	54.0	138.5	153.6	M12	22.2	21.0	111.1	56.4	54.0	15.1	28.6
210	1-15/16	2.7	1-3/4	8-1/8	2-3/8	6-3/64	6-21/32	5/8	1	23/32	4-5/8	2-7/16	2-1/4	0.594	1.156
	2	2.6													
	50mm	1.2	44.5	206.4	60.3	153.6	169.1	M16	25.4	18.3	117.5	61.9	57.2	15.1	29.4

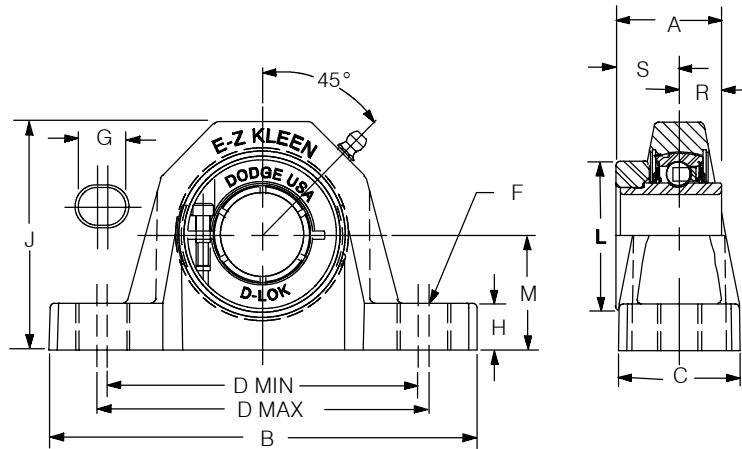
FEATURES/BENEFITS PAGE B1-2	HOW TO ORDER/ NOMENCLATURE PAGE B1-4	SELECTION PAGE B1-5	INTERCHANGE PAGE B1-38
--------------------------------	--	------------------------	---------------------------



SELECTION/DIMENSIONS

Polymer-Housed Units

DLEZ NORMAL DUTY POLYMER-HOUSED PILLOW BLOCKS



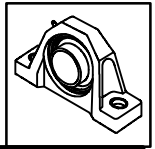
Series	Shaft Size	Part Number	Description
204	3/4	127578	P2B-DLEZ-012-PCR
	20mm	127623	P2B-DLEZ-20M-PCR
205	7/8	@	P2B-DLEZ-014-PCR*
	15/16	@	P2B-DLEZ-015-PCR*
	1	127579	P2B-DLEZ-100-PCR
	25mm	127624	P2B-DLEZ-25M-PCR
206	1-4/8	@	P2B-DLEZ-102-PCR*
	1-3/16	127580	P2B-DLEZ-103-PCR
	1-1/4	127581	P2B-DLEZ-104S-PCR
	30mm	127625	P2B-DLEZ-30M-PCR

207	1-1/4	127582	P2B-DLEZ-104-PCR
	1-3/8	@	P2B-DLEZ-106-PCR*
	1-7/16	127583	P2B-DLEZ-107-PCR
	35mm	127626	P2B-DLEZ-35M-PCR
208	1-1/2	127584	P2B-DLEZ-108-PCR
	40mm	127627	P2B-DLEZ-40M-PCR
209	1-5/8	057442	P2B-DLEZ-110L-PCR*
	1-11/16	127585	P2B-DLEZ-111-PCR
	1-3/4	@	P2B-DLEZ-112-PCR*
	45mm	127628	P2B-DLEZ-45M-PCR
210	1-15/16	127586	P2B-DLEZ-115-PCR
	2	058516	P2B-DLEZ-200-PCR*
	50mm	127629	P2B-DLEZ-50M-PCR

@ Assembled to order.

*20 piece minimum

FEATURES/BENEFITS PAGE B1-2	HOW TO ORDER/ NOMENCLATURE PAGE B1-4	SELECTION PAGE B1-5	INTERCHANGE PAGE B1-38
--------------------------------	--	------------------------	---------------------------



SELECTION/DIMENSIONS

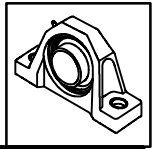
Polymer-Housed Units

DLEZ NORMAL DUTY POLYMER-HOUSED PILLOW BLOCKS

Series	Shaft Size	Weight lbs (kg)	A	B	C	D		F Bolt Dia.
						Min.	Max.	
204	3/4	0.92	1-9/32	5-3/64	1-31/64	3-43/64	3-31/32	3/8
	20mm	0.42	32.5	128.0	37.84	93.3	100.8	M10
205	7/8	1.32	1-7/16	5-33/64	1-31/64	3-63/64	4-9/32	3/8
	15/16	1.22						
	1	1.12						
	25mm	0.5	36.5	140.1	37.7	101.2	108.7	M10
206	1-4/8	1.83	1-9/16	6-11/32	9-1/2	4-39/64	4-59/64	1/2
	1-3/16	1.73						
	1-1/4	1.63						
	30mm	0.8	39.7	161.1	241.3	117.1	125.0	M12
207	1-1/4	2.46	1-3/4	6-37/64	1-7/8	4-27/32	5-5/32	1/2
	1-3/8	2.41						
	1-7/16	2.36						
	35mm	1.1	44.45	167.1	47.6	123.0	131.0	M12
208	1-1/2	3.01	2	7-15/64	2-1/8	5-7/64	5-11/16	1/2
	40mm	1.1	50.8	183.8	54.0	129.8	144.5	M12
209	1-5/8	3.51	2	7-15/64	2-1/8	5-29/64	6-3/64	1/2
	1-11/16	3.41						
	1-3/4	3.31						
	45mm	1.6	50.8	183.8	54.0	138.5	153.6	M12
210	1-15/16	4.17	2-3/32	8-1/8	2-3/8	6-3/64	6-21/32	5/8
	2	4.07						
	50mm	1.7	53.2	206.4	60.3	153.6	169.1	M16

Series	Shaft Size	G	H	J	L	M	R	S
204	3/4	19/32	19/32	2-21/32	1-45/64	1-5/16	1/2	25/32
	20mm	15.1	15.1	67.5	43.3	33.3	12.7	19.8
205	7/8	19/32	19/32	2-7/8	2	1-7/16	9/16	7/8
	15/16							
	1							
206	25mm	15.1	15.1	73.0	50.8	36.5	14.3	22.2
	1-4/8	23/32	11/16	3-3/8	2-7/32	1-11/16	9/16	1
	1-3/16							
	1-1/4							
207	30mm	18.3	17.5	85.7	56.4	42.9	14.3	25.4
	1-1/4	23/32	23/32	3-13/16	2-11/16	1-7/8	11/16	1-1/16
	1-3/8							
	1-7/16							
208	35mm	18.3	18.3	96.8	68.3	47.6	17.5	27.0
	1-1/2	7/8	3/4	4	2-25/32	1-15/16	3/4	1-1/4
	40mm	22.2	19.1	101.6	70.6	49.2	19.1	31.8
209	1-5/8	7/8	53/64	4-3/8	3-1/16	2-1/8	3/4	1-1/4
	1-11/16							
	1-3/4							
210	45mm	22.2	21.0	111.1	78.5	54.0	19.1	31.8
	1-15/16	1	23/32	4-5/8	3-9/32	2-1/4	3/4	1-11/32
	2							
210	50mm	25.4	18.3	117.5	83.3	57.2	19.1	34.1

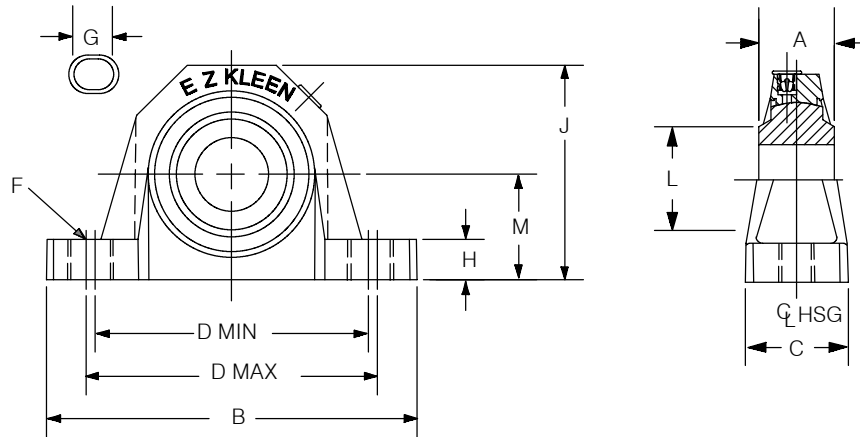
FEATURES/BENEFITS PAGE B1-2	HOW TO ORDER/ NOMENCLATURE PAGE B1-4	SELECTION PAGE B1-5	INTERCHANGE PAGE B1-38
--------------------------------	--	------------------------	---------------------------



SELECTION/DIMENSIONS

Polymer-Housed Units

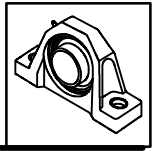
PSEZ POLYMER-SLEEVE, POLYMER-HOUSED PILLOW BLOCKS



Series	Shaft Size	Part Number	Description	Weight lb(kg)	A	B	C	D	
								Min	Max
204	3/4	034700	P2B-PSEZ-012-P	0.57	1	5-3/64	1-31/64	3-43/64	3-31/32
	20mm	034748	P2B-PSEZ-20M-P	0.26	25.4	128.0	37.8	93.3	100.7
205	1	034701	P2B-PSEZ-100-P	0.57	1-1/16	5-33/64	1-31/64	3-63/64	4-9/32
	25mm	034749	P2B-PSEZ-25M-P	0.26	27.0	140.0	37.8	101.3	108.7
206	1-3/16	034702	P2B-PSEZ-103-P	0.89	1-3/16	6-11/32	1-51/64	4-39/64	4-59/64
	1-1/4	034703	P2B-PSEZ-104S-P	0.88					
	30mm	034750	P2B-PSEZ-30M-P	0.4	30.2	161.3	45.7	116.9	125.1
207	1-1/4	034704	P2B-PSEZ-104-P	1.06	1-5/16	6-37/64	1-7/8	4-27/32	5-5/32
	1-7/16	034705	P2B-PSEZ-107-P	1.01					
	35mm	034751	P2B-PSEZ-35M-P	0.48	33.3	167.0	47.8	122.9	131.1
208	1-1/2	034706	P2B-PSEZ-108-P	1.27	1-1/2	7-15/64	2-1/8	5-7/64	5-11/16
	40mm	034752	P2B-PSEZ-40M-P	0.58	38.1	183.9	53.8	129.6	144.5
209	1-11/16	034707	P2B-PSEZ-111-P	1.39	1-9/16	7-15/64	2-1/8	5-29/64	6-3/64
	1-3/4	034708	P2B-PSEZ-112-P	1.39					
	45mm	034753	P2B-PSEZ-45M-P	0.63	39.7	183.9	53.8	138.6	153.5
210	1-15/16	034709	P2B-PSEZ-115-P	1.67	1-5/8	8-1/8	2-3/8	6-3/64	6-21/32
	50mm	034754	P2B-PSEZ-50M-P	0.76	41.3	206.2	60.5	153.4	169.1

Series	Shaft Size	F Bolt Dia	G	H	J	L	M
204	3/4	3/8	19/32	19/32	2-21/32	1-5/16	1-5/16
	20mm	M10	15.1	15.1	67.6	33.3	33.3
205	1	3/8	19/32	19/32	2-7/8	1-7/16	1-7/16
	25mm	M10	15.1	15.1	73.3	36.5	36.5
206	1-3/16	1/2	23/32	11/16	3-3/8	1-11/16	1-11/16
	1-1/4						
	30mm	M12	18.4	17.5	85.9	42.9	42.9
207	1-1/4	1/2	23/32	23/32	3-13/16	2	1-7/8
	1-7/16						
	35mm	M12	18.4	18.3	96.8	50.8	47.6
208	1-1/2	1/2	7/8	3/4	4	2	1-15/16
	40mm	M12	22.0	19.1	103.1	50.8	49.2
209	1-11/16	1/2	7/8	53/64	4-3/8	2-5/16	2-1/8
	1-3/4						
	45mm	M12	22.0	21.0	111.0	58.7	54.0
210	1-15/16	1/2	1	29/32	4-5/8	2-9/16	2-1/4
	50mm	M12	25.4	22.9	117.1	65.1	57.2

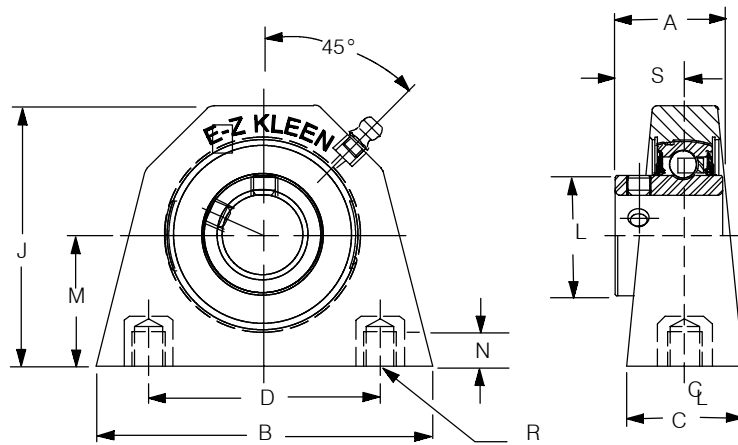
FEATURES/BENEFITS PAGE B1-2	HOW TO ORDER/ NOMENCLATURE PAGE B1-4	SELECTION PAGE B1-5	INTERCHANGE PAGE B1-38
--------------------------------	--	------------------------	---------------------------



SELECTION/DIMENSIONS

Polymer-Housed Units

SCEZ NORMAL DUTY POLYMER-HOUSED TAPPED-BASE PILLOW BLOCKS



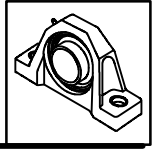
Series	Shaft Size	Part Number	Description	Weight lbs (kg)	A	B	C
204	1/2	@	TB-SCEZ-008-PCR*	0.80	1-5/32	3-1/4	1-1/2
	5/8	@	TB-SCEZ-010-PCR*	0.70			
	3/4	127509	TB-SCEZ-012-PCR	0.60			
	20mm	127552	TB-SCEZ-20M-PCR	0.29	29.4	82.6	38.1
205	7/8	@	TB-SCEZ-014-PCR*	0.78	1-3/16	3-1/4	1-1/2
	15/16	@	TB-SCEZ-015-PCR*	0.68			
	1	127510	TB-SCEZ-100-PCR	0.58			
	25mm	127553	TB-SCEZ-25M-PCR	0.28	30.2	82.6	38.1
206	1-1/8	@	TB-SCEZ-102-PCR*	1.11	1-25/64	4-3/8	1-1/2
	1-3/16	127511	TB-SCEZ-103-PCR	1.09			
	1-1/4	127512	TB-SCEZ-104S-PCR	1.07			
	30mm	127554	TB-SCEZ-30M-PCR	0.49	35.3	111.1	38.1
207	1-1/4	127513	TB-SCEZ-104-PCR	1.64	1-17/32	4-5/8	1-7/8
	1-3/8	@	TB-SCEZ-106-PCR*	1.53			
	1-7/16	127514	TB-SCEZ-107-PCR	1.48			
	35mm	127555	TB-SCEZ-35M-PCR	0.72	38.9	117.5	47.6

@Assembled to order.

*20 piece minimum.

Series	Shaft Size	D	J	L	M	N Min Thd Dpth	R Bolt Hole Threads	S
204	1/2	2	2-21/32	1-1/8	1-5/16	13/32	3/8-16	47/64
	5/8							
	20mm	50.8	67.5	28.6	33.3	10.3	M8x1.25	18.7
205	7/8	2	2-7/8	1-5-16	1-7/16	13/32	3/8-16	49/64
	15/16							
	25mm	50.8	73.0	33.3	36.3	10.3	M10x1.5	19.4
206	1-1/8	3	3-3/8	1-37/64	1-11/16	29/64	7/8-14	29/32
	1-3/16							
	30mm	76.2	85.7	40.1	42.9	11.5	M10x1.5	23.0
207	1-1/4	3-1/4	3-13/16	1-27/32	1-7/8	35/64	1/2-13	1-1/32
	1-3/8							
	35mm	82.6	96.8	46.8	47.6	13.9	M12x1.75	26.2

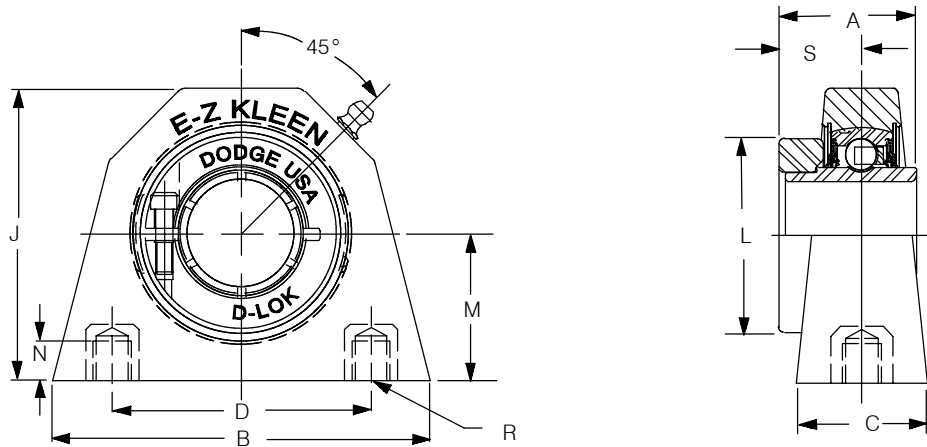
FEATURES/BENEFITS PAGE B1-2	HOW TO ORDER/ NOMENCLATURE PAGE B1-4	SELECTION PAGE B1-5	INTERCHANGE PAGE B1-38
--------------------------------	--	------------------------	---------------------------



SELECTION/DIMENSIONS

Polymer-Housed Units

DLEZ NORMAL-DUTY, POLYMER-HOUSED, TAPPED-BASE BALL BEARING PILLOW BLOCKS



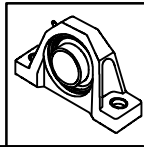
Series	Shaft Size	Part Number	Description	Weight lbs (kg)	A	B	C
204	3/4	127587	TB-DLEZ-012-PCR	0.88	1-9/32	3-1/4	1-1/2
	20mm	127630	TB-DLEZ-20M-PCR	0.41	32.5	82.6	38.1
205	7/8	@	TB-DLEZ-014-PCR*	1.21	1-7/16	3-1/4	1-1/2
	15/16	@	TB-DLEZ-015-PCR*	1.11			
	1	127588	TB-DLEZ-100-PCR	1.01	36.5	82.6	38.1
	25mm	127631	TB-DLEZ-25M-PCR	0.47			
206	1-1/8	@	TB-DLEZ-102-PCR*	1.79	1-9/16	4-3/8	1-1/2
	1-3/16	127589	TB-DLEZ-103-PCR	1.69			
	1-1/4	127590	TB-DLEZ-104S-PCR	1.59	39.7	111.1	38.1
	30mm	127632	TB-DLEZ-30M-PCR	0.77			
207	1-1/4	127591	TB-DLEZ-104-PCR	2.42	1-3/4	4-5/8	1-7/8
	1-3/8	@	TB-DLEZ-106-PCR*	2.35			
	1-7/16	127592	TB-DLEZ-107-PCR	2.32	44.5	117.5	47.6
	35mm	127633	TB-DLEZ-35M-PCR	1.11			

@Assembled to order.

*20 piece minimum.

Series	Shaft Size	D	J	L	M	N Min Thd Dpth	R Bolt Hole Threads	S
204	3/4	2	2-21/32	1-45/64	1-5/16	13/32	3/8-16	25/32
	20mm	50.8	67.6	43.3	33.3	10.3	M18x1.25	19.8
205	7/8	2	2-7/8	2	1-7/16	13/32	3/8-16	7/8
	15/16							
206	1	50.8	73.3	50.8	36.5	10.3	M10x1.5	22.2
	25mm							
206	1-1/8	3	3-3/8	2-7/32	1-11/16	29/64	7/18-14	1
	1-3/16							
	1-1/4	76.2	85.7	56.4	42.9	11.5	M10x1.5	25.4
207	30mm							
	1-1/4	3-1/4	3-13/16	2-11/16	1-7/8	35/64	1/2-13	1-1/16
	1-3/8							
207	1-7/16	82.6	96.8	68.3	47.6	13.9	M12x1.75	27.0
	35mm							

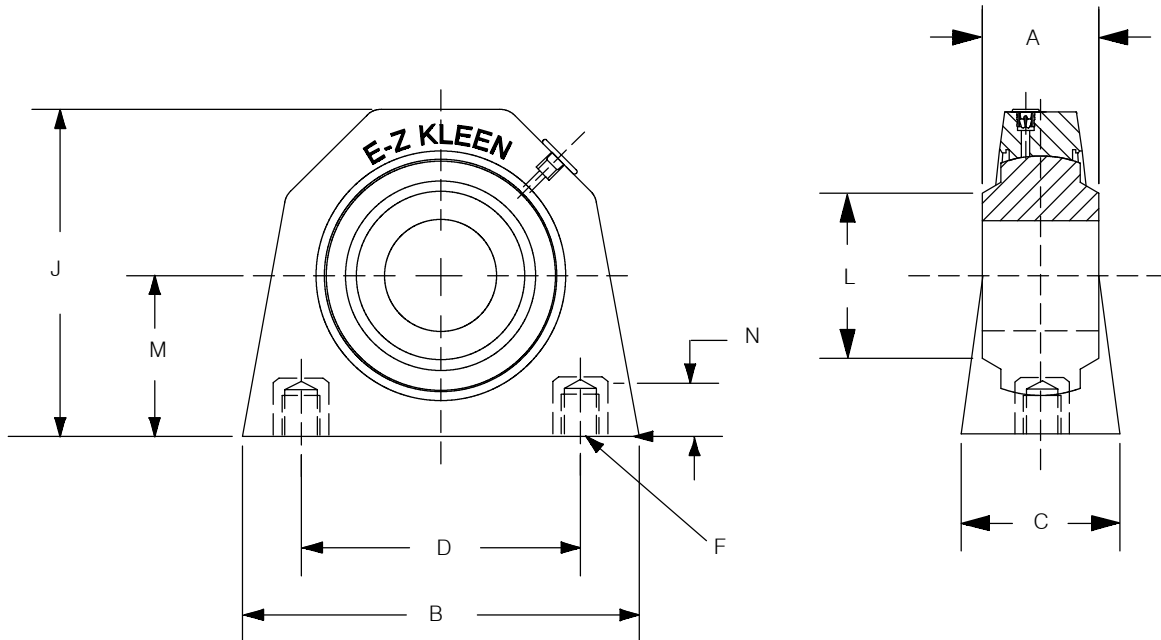
FEATURES/BENEFITS PAGE B1-2	HOW TO ORDER/ NOMENCLATURE PAGE B1-4	SELECTION PAGE B1-5	INTERCHANGE PAGE B1-38
--------------------------------	--	------------------------	---------------------------



SELECTION/DIMENSIONS

Polymer-Housed Units

PSEZ POLYMER-SLEEVE, POLYMER-HOUSED, TAPPED BASE PILLOW BLOCKS



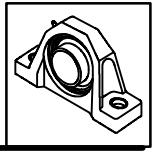
Series	Shaft Size	Part Number	Description	Weight lbs(kg)	A	B	C
204	3/4 20mm	034710	TB-PSEZ-012-P	0.53	1	3-1/4	1-1/2
		034755	TB-PSEZ-20M-P*	0.24	25.4	82.6	38.1
205	1 25mm	034711	TB-PSEZ-100-P	0.46	1-1/16	3-1/4	1-1/2
		034756	TB-PSEZ-25M-P*	0.21	27.0	82.6	38.1
206	1-3/16	034712	TB-PSEZ-103-P	0.85	1-3/16	4-3/8	1-1/2
	1-1/4	034713	TB-PSEZ-104-P	0.84			
	30mm	034757	TB-PSEZ-30M-P*	0.39	30.2	111.1	38.1
207	1-1/4	034714	TB-PSEZ-104-P	1.02	1-5/16	4-5/8	1-7/8
	1-7/16	034715	TB-PSEZ-107-P	0.97			
	35mm	034758	TB-PSEZ-35M-P*	0.46	33.3	117.5	47.6

* Made to order

Series	Shaft Size	D	F Bolt Hole Threads	J	L	M	N Mn Thd Dpth
204	3/4 20mm	2	3/8-16	2-21/32	1-5/16	1-5/16	13/32
		50.8	M10x1.5	67.6	33.3	33.3	10.2
205	1 25mm	2	3/8-16	2-7/8	1-7/16	1-7/16	13/32
		50.8	M10x1.5	73.3	36.5	36.5	10.2
206	1-3/16	3	7/16-14	3-3/8	1-11/16	1-11/16	29/64
	1-1/4 30mm	76.2	M10x1.5	85.9	42.9	42.9	11.4
207	1-1/4	3-1/4	1/2-13	3-13/16	2	1-7/8	35/64
	1-7/16 35mm	82.6	M12x1.75	96.8	50.8	47.6	14.0

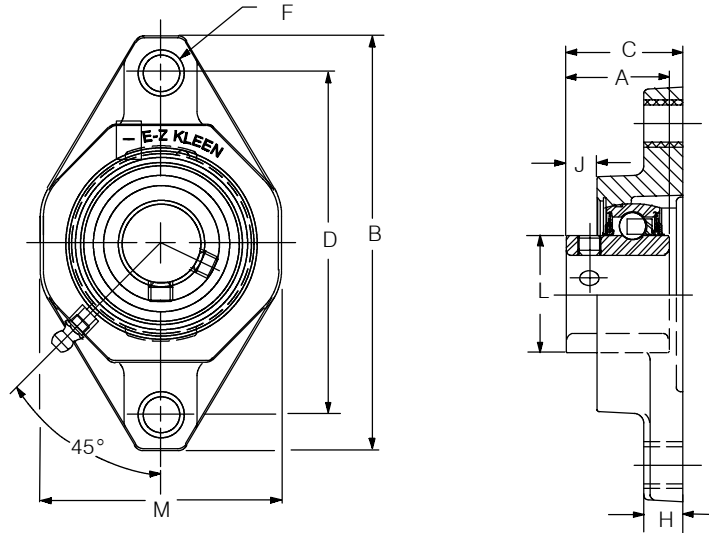
FEATURES/BENEFITS PAGE B1-2	HOW TO ORDER/ NOMENCLATURE PAGE B1-4	SELECTION PAGE B1-5	INTERCHANGE PAGE B1-38
--------------------------------	--	------------------------	---------------------------

SELECTION/DIMENSIONS



Polymer-Housed Units

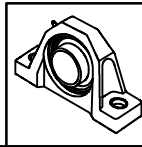
SCEZ NORMAL DUTY POLYMER-HOUSED 2-BOLT FLANGES



Series	Shaft Size	With Corrosion Resistant Insert		With Insert with Flingers		Beverage Bearing	
		Part Number	Description	Part Number	Description	Part Number	Description
204	1/2	@	F2B-SCEZ-008L-PCR	@	F2B-SCEZ-008L-P	@	F2B-SCEZ-008L-BEV
	5/8	@	F2B-SCEZ-010L-PCR	@	F2B-SCEZ-010L-P	@	F2B-SCEZ-010L-BEV
	3/4	127524	F2B-SCEZ-012-PCR	058404	F2B-SCEZ-012-P	@	F2B-SCEZ-012-BEV
	20mm	127563	F2B-SCEZ-20M-PCR	@	F2B-SCEZ-20M-P	@	F2B-SCEZ-20M-BEV
205	7/8	@	F2B-SCEZ-014-PCR	@	F2B-SCEZ-014-P	@	F2B-SCEZ-014-BEV
	15/16	@	F2B-SCEZ-015-PCR	@	F2B-SCEZ-015-P	@	F2B-SCEZ-015-BEV
	1	127525	F2B-SCEZ-100-PCR	057524	F2B-SCEZ-100-P	057892	F2B-SCEZ-100-BEV
	25mm	127564	F2B-SCEZ-25M-PCR	@	F2B-SCEZ-25M-P	@	F2B-SCEZ-25M-BEV
206	1-1/16	@	F2B-SCEZ-101-PCR	@	F2B-SCEZ-101-P	@	F2B-SCEZ-101-BEV
	1-1/8	058470	F2B-SCEZ-102-PCR	@	F2B-SCEZ-102-P	@	F2B-SCEZ-102-BEV
	1-3/16	127526	F2B-SCEZ-103-PCR	@	F2B-SCEZ-103-P	057893	F2B-SCEZ-103-BEV
	1-1/4	127527	F2B-SCEZ-104S-PCR	057594	F2B-SCEZ-104S-P	058534	F2B-SCEZ-104S-BEV
	30mm	127565	F2B-SCEZ-30M-PCR	@	F2B-SCEZ-30M-P	@	F2B-SCEZ-30M-BEV
207	1-1/4	127528	F2B-SCEZ-104-PCR	057687	F2B-SCEZ-104-P	058269	F2B-SCEZ-104-BEV
	1-5/16	@	F2B-SCEZ-105-PCR	@	F2B-SCEZ-105-P	@	F2B-SCEZ-105-BEV
	1-3/8	@	F2B-SCEZ-106-PCR	@	F2B-SCEZ-106-P	@	F2B-SCEZ-106-BEV
	1-7/16	127529	F2B-SCEZ-107-PCR	058941	F2B-SCEZ-107-P	057894	F2B-SCEZ-107-BEV
	35mm	127566	F2B-SCEZ-35M-PCR	@	F2B-SCEZ-35M-P	@	F2B-SCEZ-35M-BEV
208	1-1/2	127530	F2B-SCEZ-108-PCR	@	F2B-SCEZ-108-P	058224	F2B-SCEZ-108-BEV
	1-5/8	@	F2B-SCEZ-110-PCR	@	F2B-SCEZ-110-P	@	F2B-SCEZ-110-BEV
	40mm	127567	F2B-SCEZ-40M-PCR	@	F2B-SCEZ-40M-P	@	F2B-SCEZ-40M-BEV
209	1-5/8	@	F2B-SCEZ-110L-PCR	@	F2B-SCEZ-110L-P	@	F2B-SCEZ-110L-BEV
	1-11/16	127531	F2B-SCEZ-111-PCR	@	F2B-SCEZ-111-P	057896	F2B-SCEZ-111-BEV
	1-3/4	@	F2B-SCEZ-112-PCR	@	F2B-SCEZ-112-P	@	F2B-SCEZ-112-BEV
	45mm	127568	F2B-SCEZ-45M-PCR	@	F2B-SCEZ-45M-P	@	F2B-SCEZ-45M-BEV
210	1-15/16	127532	F2B-SCEZ-115-PCR	058593	F2B-SCEZ-115-P	@	F2B-SCEZ-115-BEV
	2	@	F2B-SCEZ-200-PCR	@	F2B-SCEZ-200-P	057897	F2B-SCEZ-200-BEV
	50mm	127569	F2B-SCEZ-50M-PCR	@	F2B-SCEZ-50M-P	@	F2B-SCEZ-50M-BEV

@Assembled to order.

FEATURES/BENEFITS PAGE B1-2	HOW TO ORDER/ NOMENCLATURE PAGE B1-4	SELECTION PAGE B1-5	INTERCHANGE PAGE B1-38
--------------------------------	--	------------------------	---------------------------



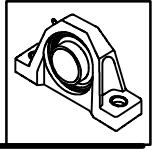
SELECTION/DIMENSIONS

Polymer-Housed Units

SCEZ NORMAL DUTY POLYMER-HOUSED 2-BOLT FLANGES

Series	Shaft Size	Weight lbs (kg)	A	B	C	D	F Bolt Dia.	H	J	L	M
204	1/2	0.55	1-5/32	4-29/64	1-27/64	3-17/32	3/8	33/64	19/64	1-1/8	2-11/32
	5/8	0.52									
	3/4	0.49									
	20mm	0.24	29.4	113.1	36.1	89.7	M10	13.1	7.5	28.6	59.5
205	7/8	0.64	1-3/16	4-59/64	1-15/32	3-57/64	3/8	17/32	21/64	1-5/16	2-45/64
	15/16	0.61									
	1	0.58									
	25mm	0.28	30.2	125.0	37.3	98.8	M10	13.5	8.3	33.3	68.7
206	1-1/16	0.93	1-25/64	5-37/64	1-21/32	4-19/32	3/8	19/32	27/64	1-37/64	3-3/16
	1-1/8	0.89									
	1-3/16	0.86									
	30mm	0.39	35.3	141.7	46.8	116.7	M10	15.1	17.6	40.1	81.0
207	1-1/4	1.40	1-17/32	6-5/16	1-51/64	5-1/8	1/2	39/64	33/64	1-27/32	3-11/16
	1-5/16	1.35									
	1-3/8	1.30									
	35mm	0.61	38.9	160.3	45.6	130.2	M12	15.5	13.1	46.8	93.7
208	1-1/2	1.82	1-11/16	6-49/64	1-31/32	5-21/32	1/2	21/32	33/64	2-3/64	4-1/16
	1-5/8	1.68									
	40mm	0.76	42.9	171.8	50.0	143.7	M12	16.7	13.1	52.0	103.2
209	1-5/8	2.09	1-23/32	7-1/16	2-1/64	5-27/32	9/16	23/32	9/16	2-7/32	4-5/16
	1-11/16	2.00									
	1-3/4	1.93									
	45mm	0.88	43.7	179.4	51.2	148.4	M14	18.3	14.3	56.4	109.5
210	1-15/16	2.12	1-3/4	7-15/32	2-11/64	6-3/16	5/8	3/4	19/32	2-7/16	4-1/2
	2	2.03									
	50mm	0.96	44.5	189.7	55.2	157.2	M16	19.1	15.1	61.9	114.3

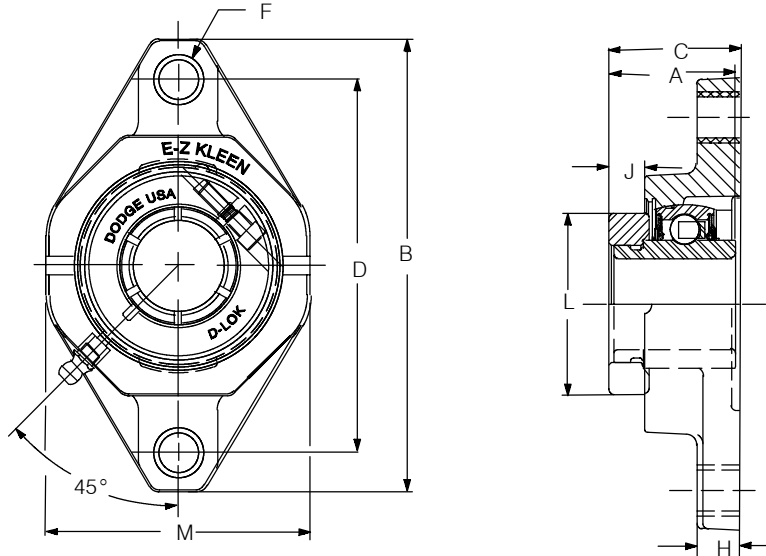
FEATURES/BENEFITS PAGE B1-2	HOW TO ORDER/ NOMENCLATURE PAGE B1-4	SELECTION PAGE B1-5	INTERCHANGE PAGE B1-38
--------------------------------	--	------------------------	---------------------------



SELECTION/DIMENSIONS

Polymer-Housed Units

DLEZ NORMAL DUTY POLYMER-HOUSED 2-BOLT FLANGES



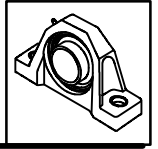
Series	Shaft Size	Part Number	Description	Weight lbs (kg)	A	B	C	D	F Bolt Dia.	H	J	L	M
204	3/4 20mm	127602	F2B-DLEZ-012-PCR	0.77	1-9/32	4-29/64	1-15/32	3-17/32	3/8	33/64	23/64	1-45/64	2-11/32
		127641	F2B-DLEZ-20M-PCR	0.36	32.5	113.1	37.3	89.7	M10	13.1	9.1	43.3	59.5
205	7/8 15/16 1 25mm	@	F2B-DLEZ-014-PCR*	1.21	1-7/16	4-59/64	1-37/64	3-57/64	3/8	17/32	7/16	2	2-45/64
		@	F2B-DLEZ-115-PCR*	1.11									
		127603	F2B-DLEZ-100-PCR	1.01									
		127642	F2B-DLEZ-25M-PCR	0.47	36.5	125.0	40.1	98.8	M10	13.5	11.1	50.8	68.7
206	1-1/8 1-3/16 1-1/4 30mm	@	F2B-DLEZ-102-PCR*	1.56	1-9/16	5-37/64	1-11/16	4-19/32	3/8	19/32	29/64	2-7/32	3-3/16
		127604	F2B-DLEZ-103-PCR	1.46									
		127605	F2B-DLEZ-104S-PCR	1.36									
		127643	F2B-DLEZ-30M-PCR	0.67	39.7	141.7	42.9	116.7	M10	15.1	11.5	56.4	81.0
207	1-1/4 1-3/8 1-7/16 35mm	127606	F2B-DLEZ-104-PCR	2.18	1-3/4	6-5/16	1-53/64	5-1/8	1/2	39/64	35/64	2-11/16	3-11/16
		@	F2B-DLEZ-106-PCR*	2.11									
		127607	F2B-DLEZ-107-PCR	2.08									
		127644	F2B-DLEZ-35M-PCR	1.00	44.5	160.3	46.4	130.2	M12	15.5	13.9	68.3	93.7
208	1-1/2 40mm	127608	F2B-DLEZ-108-PCR	2.75	2	6-49/64	2-1/8	5-21/32	1/2	21/32	11/16	2-25/32	4-1/16
		127645	F2B-DLEZ-40M-PCR	1.26	50.8	171.8	54.0	143.7	M12	16.7	17.5	70.6	103.2
209	1-5/8 1-11/16 1-3/4 45mm	@	F2B-DLEZ-110L-PCR*	3.17	2	7-1/16	2-9/64	5-27/32	9/16	23/32	11/16	3-1/16	4-1/16
		127609	F2B-DLEZ-111-PCR	3.07									
		127646	F2B-DLEZ-112-PCR*	2.97									
		@	F2B-DLEZ-45M-PCR	1.41	50.8	179.4	54.4	148.4	M14	18.23	17.5	78.5	109.5
210	1-15/16 2 50mm	127610	F2B-DLEZ-115-PCR	3.64	2-3/32	7-15/32	2-23/64	6-3/16	5/8	3/4	25/32	3-9/32	4-1/2
		058515	F2B-DLEZ-200-PCR*	3.54									
		127647	F2B-DLEZ-50M-PCR	1.67	53.2	189.7	59.9	157.2	M16	19.1	19.8	83.3	114.3

@ Assembled to order

* 20 piece minimum

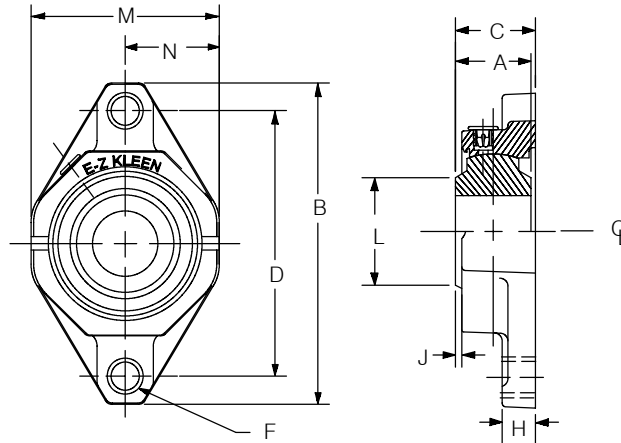
FEATURES/BENEFITS PAGE B1-2	HOW TO ORDER/ NOMENCLATURE PAGE B1-4	SELECTION PAGE B1-5	INTERCHANGE PAGE B1-38
--------------------------------	--	------------------------	---------------------------

SELECTION/DIMENSIONS



Polymer-Housed Units

PSEZ POLYMER-SLEEVE, POLYMER-HOUSED, 2-BOLT FLANGE

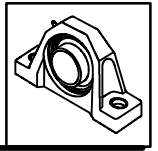


Series	Shaft Size	Part Number	Description	Weight lb (kg)	A	B	C	D
204	3/4	034726	F2B-PSEZ-012-P	0.42	1	4-29/64	1-3/16	3-17/32
	20mm	034766	F2B-PSEZ-20M-P	0.19	25.4	113.0	30.4	90.0
205	1	034727	F2B-PSEZ-100-P	0.46	1-1/16	4-59/64	1-1/4	3-57/64
	25mm	034767	F2B-PSEZ-25M-P	0.21	27.0	125.0	31.5	99.0
206	1-3/6	034728	F2B-PSEZ-103-P	0.62	1-3/16	5-37/64	1-11/32	4-19/32
	1-1/4	034729	F2B-PSEZ-104S-P	0.61				
	30mm	034768	F2B-PSEZ-30M-P	0.28	30.2	141.7	34.1	116.5
207	1-1/4	034730	F2B-PSEZ-104-P	0.78	1-5/16	6-9/64	1-27/64	5-1/8
	1-7/16	034731	F2B-PSEZ-107-P	0.73				
	35mm	034769	F2B-PSEZ-35M-P	0.36	33.3	160.3	36.2	130.0
208	1-1/2	034732	F2B-PSEZ-108-P	1.01	1-1/2	6-49/64	1-5/8	5-21/32
	40mm	034770	F2B-PSEZ-40M-P	0.46	38.1	172.0	41.4	143.5
209	1-11/16	034733	F2B-PSEZ-111-P	1.05	1-9/16	7-1/16	1-43/64	5-27/32
	1-3/4	034734	F2B-PSEZ-112-P	1.05				
	45mm	034771	F2B-PSEZ-45M-P	0.48	39.7	179.6	42.4	148.5
210	1-15/16	034735	F2B-PSEZ-115-P	1.14	1-5/8	7-15/32	1-53/64	6-3/16
	50mm	034772	F2B-PSEZ-50M-P	0.52	41.3	189.7	46.5	157.0

Series	Shaft Size	F Bolt Dia	H	J	L	M	N
204	3/4	3/8	33/64	5/64	1-5/16	2-11/32	1-3/16
	20mm	M10	13.2	1.9	33.3	59.7	29.8
205	1	3/8	17/32	1/8	1-7/16	2-45/64	1-23/64
	25mm	M10	13.6	2.6	36.5	68.8	34.4
206	1-3/16	3/8	19/32	7/64	1-11/16	3-3/16	1-19/32
	1-1/4	M10	15.2	2.6	42.9	81.0	40.5
207	1-1/4	1/2	39/64	9/64	2	3-11/16	1-27/32
	1-7/16	M12	15.6	3.7	50.8	93.7	46.9
208	1-1/2	1/2	21/32	1/4	2	4-1/16	2-1/32
	40mm	M12	16.9	4.6	50.8	103.1	51.6
209	1-11/16	9/16	23/32	3/16	2-5/16	4-5/16	2-5/32
	1-3/4	M14	18.2	5.4	58.7	109.5	54.7
210	1-15/16	5/8	3/4	1/4	2-9/16	4-1/2	2-1/4
	50mm	M16	19.3	6.2	65.1	114.3	57.2

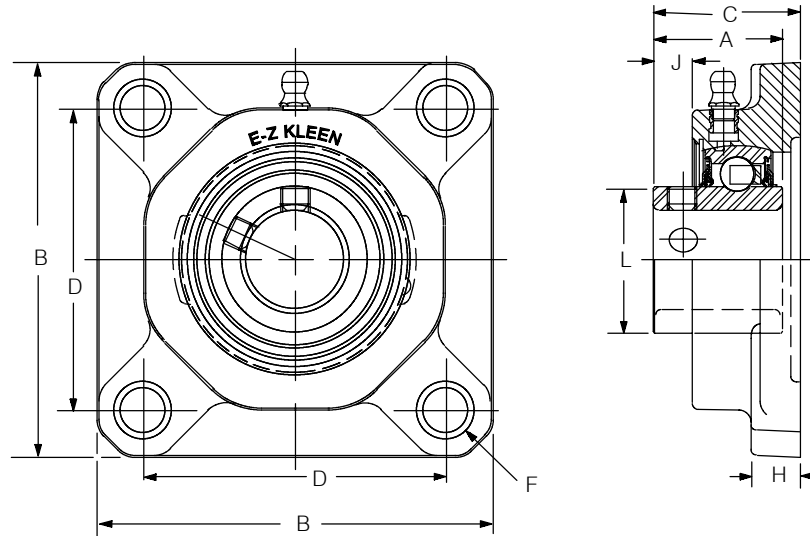
FEATURES/BENEFITS PAGE B1-2	HOW TO ORDER/ NOMENCLATURE PAGE B1-4	SELECTION PAGE B1-5	INTERCHANGE PAGE B1-38
--------------------------------	--	------------------------	---------------------------

SELECTION/DIMENSIONS



Polymer-Housed Units

SCEZ NORMAL DUTY, POLYMER-HOUSED, BALL BEARING 4-BOLT FLANGES

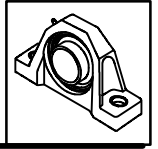


Series	Shaft Size	With corrosion Resistant Insert		With Insert With Flingers		Beverage Bearing	
		Part Number	Description	Part Number	Description	Part Number	Description
204	1/2	@	F4B-SCEZ-008L-PCR	@	F4B-SCEZ-008L-P	@	F4B-SCEZ-008L-BEV
	5/8	@	F4B-SCEZ-010L-PCR	@	F4B-SCEZ-010L-P	@	F4B-SCEZ-010L-BEV
	3/4	127515	F4B-SCEZ-012-PCR	@	F4B-SCEZ-012-P	@	F4B-SCEZ-012-BEV
	20mm	127556	F4B-SCEZ-20M-PCR	@	F4B-SCEZ-20M-P	@	F4B-SCEZ-20M-BEV
205	7/8	@	F4B-SCEZ-014L-PCR	@	F4B-SCEZ-014L-P	@	F4B-SCEZ-014L-BEV
	15/16	@	F4B-SCEZ-015-PCR	@	F4B-SCEZ-015-P	@	F4B-SCEZ-015-BEV
	1	127516	F4B-SCEZ-100-PCR	@	F4B-SCEZ-100-P	@	F4B-SCEZ-100-BEV
	25mm	127557	F4B-SCEZ-25M-PCR	@	F4B-SCEZ-25M-P	@	F4B-SCEZ-25M-BEV
206	1-1/16	@	F4B-SCEZ-101-PCR	@	F4B-SCEZ-101-P	@	F4B-SCEZ-101-BEV
	1-1/8	@	F4B-SCEZ-012-PCR	@	F4B-SCEZ-012-P	@	F4B-SCEZ-012-BEV
	1-3/16	127517	F4B-SCEZ-103-PCR	@	F4B-SCEZ-103-P	@	F4B-SCEZ-103-BEV
	1-1/4	127518	F4B-SCEZ-104S-PCR	058594	F4B-SCEZ-104S-P	@	F4B-SCEZ-104S-BEV
	30mm	127558	F4B-SCEZ-30M-PCR	@	F4B-SCEZ-30M-P	@	F4B-SCEZ-30M-BEV
207	1-1/4	127519	F4B-SCEZ-104-PCR	@	F4B-SCEZ-104-P	058260	F4B-SCEZ-104-BEV
	1-5/16	@	F4B-SCEZ-105-PCR	@	F4B-SCEZ-105-P	@	F4B-SCEZ-105-BEV
	1-3/8	058294	F4B-SCEZ-106-PCR	@	F4B-SCEZ-106-P	@	F4B-SCEZ-106-BEV
	1-7/16	127520	F4B-SCEZ-107-PCR	@	F4B-SCEZ-107-P	058232	F4B-SCEZ-107-BEV
	35mm	127559	F4B-SCEZ-35M-PCR	@	F4B-SCEZ-35M-P	@	F4B-SCEZ-35M-BEV
208	1-1/2	127521	F4B-SCEZ-108-PCR	058595	F4B-SCEZ-108-P	@	F4B-SCEZ-108-BEV
	1-5/8	@	F4B-SCEZ-110-PCR	@	F4B-SCEZ-110-P	@	F4B-SCEZ-110-BEV
	40mm	127560	F4B-SCEZ-40M-PCR	@	F4B-SCEZ-40M-P	@	F4B-SCEZ-40M-BEV
209	1-5/8	@	F4B-SCEZ-110L-PCR	@	F4B-SCEZ-110L-P	@	F4B-SCEZ-110L-BEV
	1-11/16	127522	F4B-SCEZ-111-PCR	@	F4B-SCEZ-111-P	@	F4B-SCEZ-111-BEV
	1-3/4	057907	F4B-SCEZ-112-PCR	@	F4B-SCEZ-112-P	@	F4B-SCEZ-112-BEV
	45mm	127561	F4B-SCEZ-45M-PCR	@	F4B-SCEZ-45M-P	@	F4B-SCEZ-45M-BEV
210	1-15/16	127523	F4B-SCEZ-115-PCR	@	F4B-SCEZ-115-P	@	F4B-SCEZ-115-BEV
	2	057899	F4B-SCEZ-200-PCR	@	F4B-SCEZ-200-P	@	F4B-SCEZ-200-BEV
	50mm	127562	F4B-SCEZ-50M-PCR	@	F4B-SCEZ-50M-P	@	F4B-SCEZ-50M-BEV

@ Assembled to order.

FEATURES/BENEFITS PAGE B1-2	HOW TO ORDER/ NOMENCLATURE PAGE B1-4	SELECTION PAGE B1-5	INTERCHANGE PAGE B1-38
--------------------------------	--	------------------------	---------------------------

SELECTION/DIMENSIONS



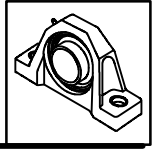
Polymer-Housed Units

SCEZ NORMAL DUTY, POLYMER-HOUSED, BALL BEARING 4-BOLT FLANGES

Series	Shaft Size	Weight lbs (kg)	A	B	C	D	F Bolt Dia	H	J	L
204	1/2	0.59	1-5/32	3-3/8	1-29/64	2-1/2	3/8	33/64	19/64	1-1/8
	5/8	0.57								
	3/4	0.55								
	20mm	0.27	29.2	85.9	36.8	63.5	M.0	13.2	7.6	28.6
205	7/8	0.71	1-3/16	3-3/4	1-1/2	2-3/4	3/8	17/32	21/64	1-21/64
	15/16	0.69								
	1	0.67								
	25mm	0.32	30.1	95.3	38.1	70.0	M.0	13.6	8.4	33.7
206	1-1/16	1.18	1-25/64	4-1/4	1-11/16	3-1/4	3/8	19/32	27/64	1-37/64
	1-1/8	1.15								
	1-3/16	1.13								
	1-1/4	1.11								
	30mm	0.51	35.3	108.0	42.8	82.5	M.0	15.2	10.6	40.1
207	1-1/4	1.59	1-17/32	4-21/32	1-53/64	3-5/8	1/2	39/64	33/64	1-27/32
	1-5/16	1.55								
	1-3/8	1.48								
	1-7/16	1.43								
	35mm	0.70	38.9	118.1	46.5	92.0	M12	15.6	13.2	46.8
208	1-1/2	2.04	1-11/16	5-1/8	2	4	1/2	43/64	33/64	2-3/64
	1-5/8	2.08								
	40mm	0.86	42.7	130.0	50.9	101.5	M12	16.9	13.3	52.0
209	1-5/8	2.21	1-23/32	5-3/8	2-1/32	4-1/8	4/7	23/32	9/16	2-7/32
	1-11/16	2.17								
	1-3/4	2.14								
	45mm	0.96	43.5	136.7	51.7	105.0	M14	18.2	14.1	56.4
210	1-15/16	2.33	1-3/4	5-5/8	2-13/64	4-3/8	5/8	49/64	19/32	2-7/16
	2	2.20								
	50mm	1.06	44.3	142.7	56.0	111.0	M16	19.3	15.1	61.9

* 20 piece minimum

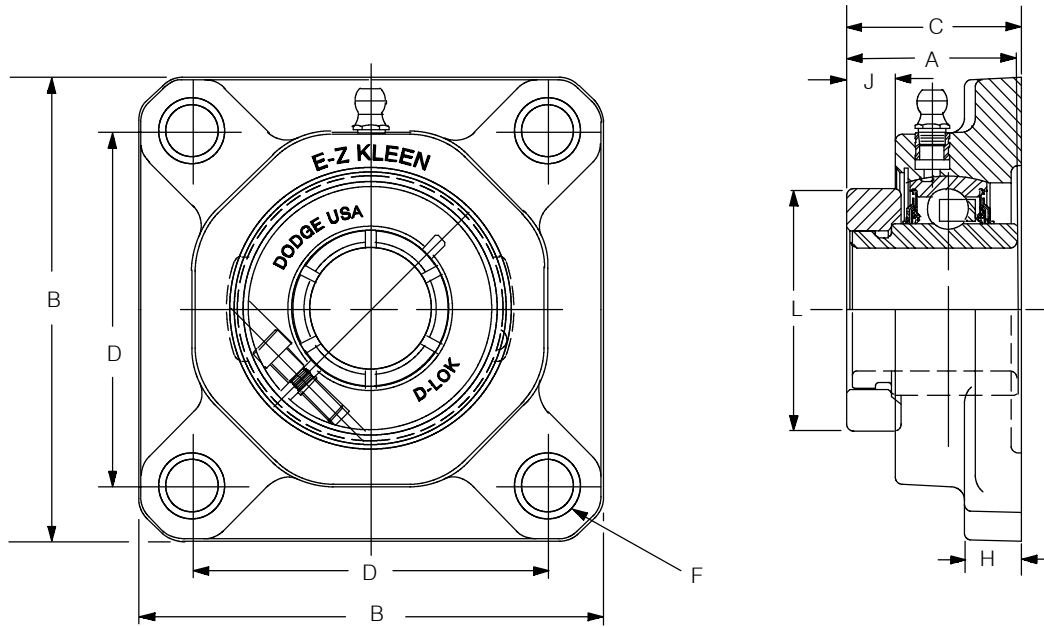
FEATURES/BENEFITS PAGE B1-2	HOW TO ORDER/ NOMENCLATURE PAGE B1-4	SELECTION PAGE B1-5	INTERCHANGE PAGE B1-38
--------------------------------	--	------------------------	---------------------------



SELECTION/DIMENSIONS

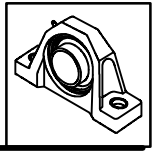
Polymer-Housed Units

DLEZ NORMAL-DUTY, POLYMER-HOUSED, BALL BEARING 4-BOLT FLANGES



Series	Shaft Size	Part Number	Description	Weight lbs (kg)	A	B	C	D	Bolt Dia.	H	J	L
204	3/4	127593	F4B-DLEZ-012-PCR	0.5	1-9/32	3-3/8	1-29/64	2-1/2	3/8	33/64	19/64	1-45/64
	20mm	127634	F4B-DLEZ-20M-PCR	0.3	32.5	85.7	36.9	63.5	M10	13.1	7.5	43.3
205	7/8	@	F4B-DLEZ-014-PCR*	0.9	1-7/16	3-3/4	1-1/2	2-3/4	3/8	17/32	21/64	2
	15/16	@	F4B-DLEZ-015-PCR/	0.8								
	1	127594	F4B-DLEZ-100-PCR	0.7								
	25mm	127635	F4B-DLEZ-25M-PCR	0.3	36.5	95.2	38.1	69.8	M10	13.5	8.3	50.8
206	1-1/8	@	F4B-DLEZ-102PCR*	1.2	1-9/16	4-1/4	1-11/16	3-1/4	3/8	19/32	27/64	2-7/32
	1-3/16	127595	F4B-DLEZ-103-PCR	1.1								
	1-1/4	127596	F4B-DLEZ-104S-PCR	1.1								
	30mm	127636	F4B-DLEZ-30M-PCR	0.5	39.7	107.9	42.9	82.5	M10	15.1	10.7	56.4
207	1-1/4	127597	F4B-DLEZ-104-PCR	1.6	1-3/4	4-21/32	1-53/64	3-5/8	1/2	39/64	35/64	2-11/16
	1-3/8	@	F4B-DLEZ-106-PCR*	1.5								
	1-7/16	127598	F4B-DLEZ-107-PCR	1.4								
	35mm	127637	F4B-DLEZ-35M-PCR	0.7	44.5	118.3	46.4	92.1	M12	15.5	13.1	68.3
208	1-1/2	127599	F4B-DLEZ-108-PCR	2.0	2	5-1/8	2	4	1/2	43/64	33/64	2-25/32
	40mm	127638	F4B-DLEZ-40M-PCR	0.9	50.8	130.2	50.8	101.6	M12	17.1	13.1	70.6
209	1-5/8	@	F4B-DLEZ-110L-PCR*	2.3	2	5-3/8	2-1/32	4-1/8	9/16	23/32	9/16	3-1/16
	1-11/16	127600	F4B-DLEZ-111-PCR	2.2								
	1-3/4	@	F4B-DLEZ-112-PCR*	2.1								
	45mm	127639	F4B-DLEZ-45M-PCR	1.0	50.8	136.5	51.6	104.8	M14	18.3	14.3	78.5
210	1-15/16	127601	F4B-DLEZ-115-PCR	2.3	2-3/32	5-5/8	2-13/64	4-3/8	5/8	49/64	19/32	3-9/32
	2	058514	F4B-DLEZ-200-PCR*	2.2								
	50mm	127640	F4B-DLEZ-50M-PCR	1.1	53.2	142.9	56.0	111.1	M16	19.4	15.1	83.3

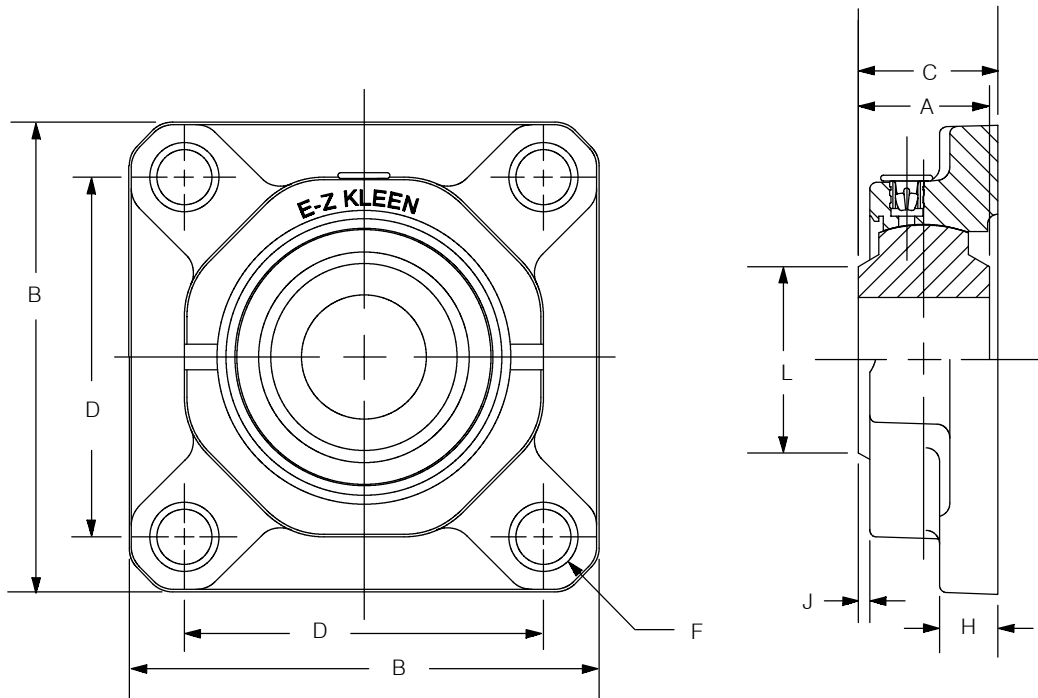
FEATURES/BENEFITS PAGE B1-2	HOW TO ORDER/ NOMENCLATURE PAGE B1-4	SELECTION PAGE B1-5	INTERCHANGE PAGE B1-38
--------------------------------	--	------------------------	---------------------------



SELECTION/DIMENSIONS

Polymer-Housed Units

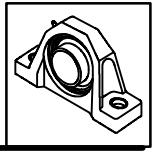
PSEZ POLYMER-SLEEVE, POLYMER-HOUSED, 4-BOLT FLANGE



Serie	Shaft Size	Part Number	Description	Weight lbs(kg)	A	B	C	D	F Bolt dia	H	J	L
204	3/4	034716	F4B-PSEZ-012-P	0.48	1	3-3/8	1-7/32	2-1/2	3/8	33/64	5/64	1-5/16
	20mm	034759	F4B-PSEZ-20M-P	0.22	25.4	85.9	31.1	63.5	M10	13.2	1.9	33.3
205	1	034717	F4B-PSEZ-100-P	0.55	1-1/16	3-3/4	1-17/64	2-3/4	3/8	17/32	1/8	1-7/16
	25mm	034760	F4B-PSEZ-25M-P	0.25	27.0	95.3	32.3	70.0	M10	13.6	2.6	36.5
206	1-3/16	034718	F4B-PSEZ-103-P	0.89	1-3/16	4-1/4	1-3/8	3-1/4	3/8	19/32	7/64	1-11/16
	1-1/4	034719	F4B-PSEZ-104S-P	0.88								
	30mm	034761	F4B-PSEZ-30M-P	0.40	30.2	108.0	34.9	82.5	M10	15.2	2.6	42.9
207	1-1/4	034720	F4B-PSEZ-104-P	0.97	1-5/16	4-21/32	1-29/64	3-5/8	1/2	39/64	9/64	2
	1-7/16	034721	F4B-PSEZ-107-P	0.92								
	35mm	034762	F4B-PSEZ-35M-P	0.44	33.3	118.1	37.0	92.0	M12	15.6	3.7	50.8
208	1-1/2	034722	F4B-PSEZ-108-P	1.23	1-1/2	5-1/8	1-21/32	4	1/2	43/64	1/4	2
	40mm	034763	F4B-PSEZ-40M-P	0.56	38.1	130.0	42.2	101.5	M12	16.9	4.6	50.8
209	1-11/16	034723	F4B-PSEZ-111-P	1.22	1-9/16	5-3/8	1-11/16	4-1/8	9/16	23/32	3/16	2-5/16
	1-3/4	034724	F4B-PSEZ-112-P	1.22								
	45mm	034764	F4B-PSEZ-45M-P	0.56	39.7	136.7	43.0	105.0	M14	18.2	5.4	58.7
210	1-15/16	034725	F4B-PSEZ-115-P	1.35	1-5/8	5-5/8	1-55/64	4-3/8	5/8	49/64	1/4	2-9/16
	50mm	034765	F4B-PSEZ-50M-P	0.61	41.3	142.7	47.3	111.0	M16	19.3	6.4	65.1

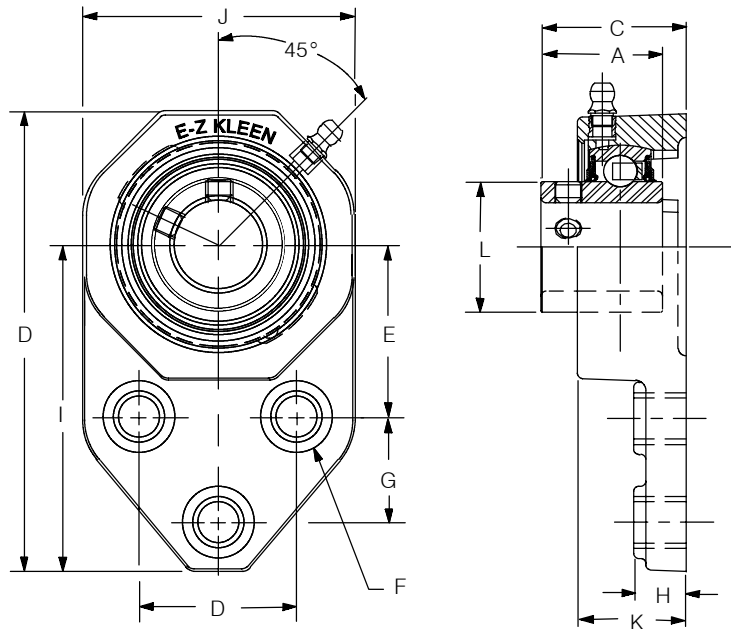
FEATURES/BENEFITS PAGE B1-2	HOW TO ORDER/ NOMENCLATURE PAGE B1-4	SELECTION PAGE B1-5	INTERCHANGE PAGE B1-38
--------------------------------	--	------------------------	---------------------------

SELECTION/DIMENSIONS



Polymer-Housed Units

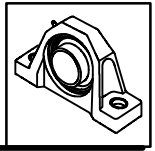
SCEZ NORMAL-DUTY, POLYMER-HOUSED, BALL BEARING FLANGED BRACKETS



Series	Shaft Size	Part Number	Description	Weight lbs (kg)	A	B	C	D	E
204	3/4 20mm	127533	FB-SCEZ-012-PCR	0.47	1-5/32	4-3/8	1-27/64	1-1/2	1-11/16
		127570	FB-SCEZ-20M-PCR	0.23	29.2	111.2	18.4	38.1	42.9
205	1 25mm	127534	FB-SCEZ-100-PCR	0.69	1-3/16	4-29/32	1-15/32	1-5/8	1-13/16
		127571	FB-SCEZ-25M-PCR	0.32	30.1	124.7	37.4	41.3	46.0
206	1-3/16	127535	FB-SCEZ-103-PCR	1.07	1-25/64	5-31/64	1-21/32	1-7/8	2-1/16
	1-1/4	127536	FB-SCEZ-104S-PCR	1.05					
	30mm	127572	FB-SCEZ-30M-PCR	0.48	35.3	139.2	42.1	47.6	52.4
207	1-1/4	127537	FB-SCEZ-104-PCR	1.87	1-17/32	6-7/64	1-51/64	2	2-3/8
	1-7/16	127538	FB-SCEZ-107-PCR	1.71					
	35mm	127573	FB-SCEZ-35M-PCR	0.83	38.9	155.2	45.7	50.8	60.3

Series	Shaft Size	F Bolt Dia.	G	H	I	J	K	L
204	3/4 20mm	3/8	7/8	33/64	3-3/16	2-11/32	1-1/8	1-1/8
		M10	22.2	13.2	81.1	59.4	28.4	28.6
205	1 25mm	3/8	1-1/8	17/32	3-17/32	2-45/64	1-9/64	1-21/64
		M10	28.6	13.6	89.8	68.8	29.0	33.7
206	1-3/16	3/8	1-1/4	19/32	3-55/64	3-13/64	1-15/64	1-37/64
	1-1/4 30mm	M10	31.7	15.2	97.9	81.3	31.5	40.1
207	1-1/4	1/2	1-1/4	39/64	4-15/64	3-11/16	1-9/32	1-27/32
	1-7/16 35mm	M12	31.7	15.6	107.6	93.7	32.5	46.8

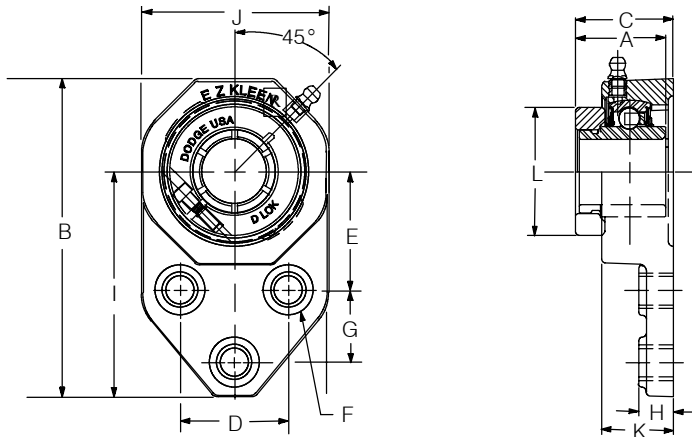
FEATURES/BENEFITS PAGE B1-2	HOW TO ORDER/ NOMENCLATURE PAGE B1-4	SELECTION PAGE B1-5	INTERCHANGE PAGE B1-38
--------------------------------	--	------------------------	---------------------------



SELECTION/DIMENSIONS

Polymer-Housed Units

DLEZ NORMAL-DUTY, POLYMER-HOUSED, BALL BEARING FLANGED BRACKETS



Lube Fitting Rotated 45°

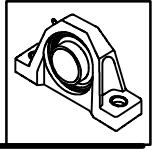
Series	Shaft Size	Part Number	Description	Weight lbs (kg)	A	B	C	D	E
204	3/4	127611	FB-DLEZ-012-PCR	0.75	1-9/32	4-3/8	1-15/32	1-1/2	1-11/16
	20mm	127648	FB-DLEZ-20M-PCR*	0.35	32.5	111.1	37.3	38.1	42.9
205	7/8	@	FB-DLEZ-014-PCR*	1.32	1-7/16	4-29/32	1-37/64	1-5/8	1-13/16
	15/16	@	FB-DLEZ-015-PCR*	1.22					
	1	127612	FB-DLEZ-100-PCR	1.12					
	25mm	127649	FB-DLEZ-25M-PCR	0.51	36.5	124.6	40.1	41.3	46.0
206	1-1/8	@	FB-DLEZ-102-PCR*	1.77	1-9/16	5-31/64	1-11/16	1-7/8	2-1/16
	1-3/16	127613	FB-DLEZ-103-PCR	1.67					
	1-1/4	127614	FB-DLEZ-104S-PCR	1.57					
	30mm	127650	FB-DLEZ-30M-PCR	0.76	39.7	139.3	42.9	47.6	52.4
207	1-1/4	127615	FB-DLEZ-104-PCR	2.65	1-3/4	6-7/64	1-53/64	2	2-3/8
	1-3/8	@	FB-DLEZ-106-PCR*	2.58					
	1-7/16	127616	FB-DLEZ-107-PCR	2.55					
	35mm	127651	FB-DLEZ-35M-PCR	1.22	44.5	155.2	46.4	50.8	60.3

@ Assembled to order

*20 piece minimum

Series	Shaft Size	F Bolt Dia.	G	H	I	J	K	L
204	3/4	3/8	7/8	33/64	3-3/16	2-11/32	1-1/8	1-45/64
	20mm	M10	22.2	13.1	81.0	59.5	28.6	43.3
205	7/8	3/8	1-1/8	17/32	3-17/32	2-45/64	1-9/64	2
	15/16							
	1	M10	28.6	13.5	89.7	68.7	29.0	50.8
206 (SCU)	1-1/8	3/8	1-1/4	19/32	3-55/64	3-13/64	1-15/64	2-7/32
	1-3/16							
	1-1/4	M10	31.8	15.1	98.0	81.4	31.4	56.4
207	1-1/4	1/2	1-1/4	39/64	4-15/64	3-11/16	1-9/32	2-11/16
	1-3/8							
	1-7/16	M12	31.8	15.5	107.6	93.7	32.5	68.3

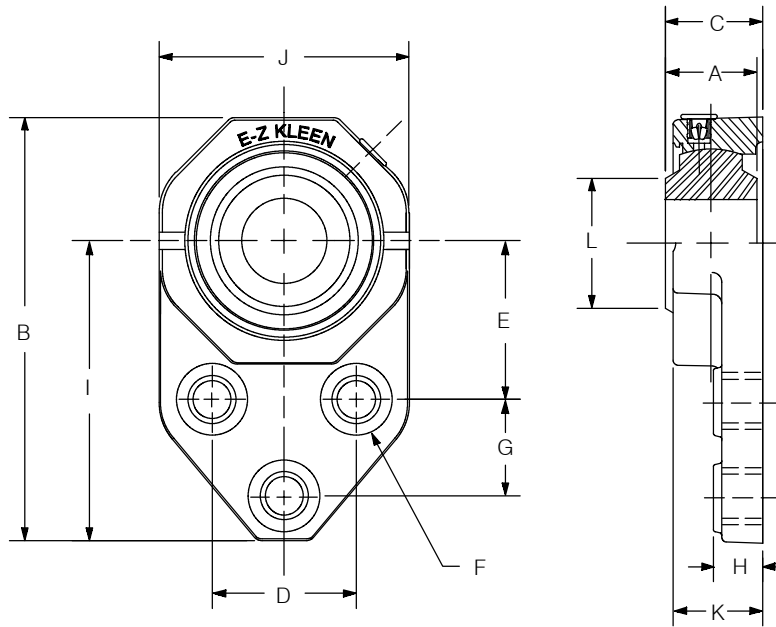
FEATURES/BENEFITS PAGE B1-2	HOW TO ORDER/ NOMENCLATURE PAGE B1-4	SELECTION PAGE B1-5	INTERCHANGE PAGE B1-38
--------------------------------	--	------------------------	---------------------------



SELECTION/DIMENSIONS

Polymer-Housed Units

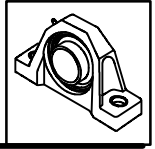
PSEZ POLYMER-SLEEVE, POLYMER-HOUSED, 3-BOLT FLANGE BRACKET



Series	Shaft Size	Part Number	Description	Weight lbs (kg)	A	B	C	D	E
204	3/4	034736	FB-PSEZ-012-P	0.4	1	4-3/8	1-3/16	1-1/2	1-11/16
	20mm	034773	FB-PSEZ-20M-P	0.18	25.4	111.2	12.7	38.1	42.9
205	1	034737	FB-PSEZ-100-P	0.57	1-1/16	4-29/32	1-1/4	1-5/8	1-13/16
	25mm	034774	FB-PSEZ-25M-P	0.26	27	124.7	31.5	41.3	46
206	1-3/16	034738	FB-PSEZ-103-P	0.83	1-3/16	5-31/64	1-11/32	1-7/8	2-1/16
	1-1/4	034739	FB-PSEZ-104S-P	0.82					
	30mm	034775	FB-PSEZ-30M-P	0.38	30.2	139.2	34.1	47.6	52.4
207	1-1/4	034740	FB-PSEZ-104-P	1.25	1-5/16	6-7/64	1-27/64	2	2-3/8
	1-7/16	034741	FB-PSEZ-107-P	1.2					
	35mm	034776	FB-PSEZ-35M-P	0.57	33.3	155.2	36.2	50.8	60.3

Series	Shaft Size	F	G	H	I	J	K	L
204	3/4	3/8	7/8	33/64	3-3/16	2-11/32	1-1/8	1-5/16
	20mm	M10	22.2	13.2	81.1	59.4	28.4	33.3
205	1	3/8	1-1/8	17/32	3-17/32	2-45/64	1-9/64	1-7/16
	25mm	M10	28.6	13.6	89.8	68.8	29	36.5
206	1-3/16	3/8	1-1/4	19/32	3-55/64	3-13/64	1-15/64	1-11/16
	1-1/4	M10	31.7	15.2	97.9	81.3	31.5	42.9
207	1-1/4	1/2	1-1/4	39/64	4-15/64	3-11/16	1-9/32	2
	1-7/16	M12	31.7	15.6	107.6	93.7	32.5	50.8

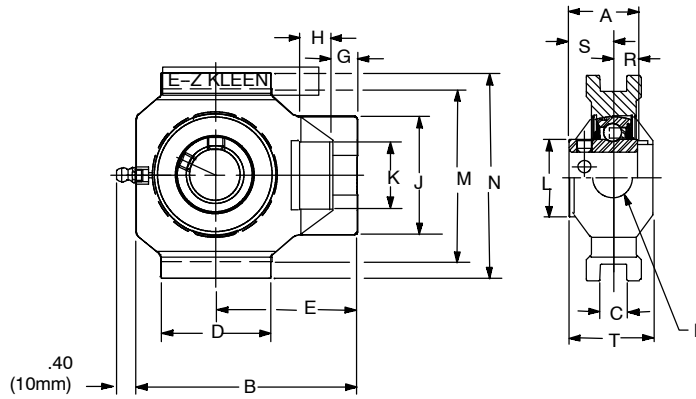
FEATURES/BENEFITS PAGE B1-2	HOW TO ORDER/ NOMENCLATURE PAGE B1-4	SELECTION PAGE B1-5	INTERCHANGE PAGE B1-38
--------------------------------	--	------------------------	---------------------------



SELECTION/DIMENSIONS

Polymer-Housed Units

SCEZ NORMAL DUTY, POLYMER -HOUSED, BALL BEARING WIDE SLOT TAKE-UP BEARINGS



Series	Shaft Size	Part Number	Description	Weight lbs (kg)	Take-Up Frame No. Ref.	A	B	C**	D	E	F Thd Shaft
204	1/2	@	WSTU-SCEZ-008-PCR*	0.86	WS300	1-5/32	3-13/16	17/32	2	2-1/2	5/8
	5/8	@	WSTU-SCEZ-010-PCR*	0.76							
	3/4	127539	WSTU-SCEZ-012-PCR	0.66							
	20mm	127574	WSTU-SCEZ-20M-PCR	0.31							
205	7/8	@	WSTU-SCEZ-014-PCR	0.92	WS300	1-3/16	3-15/16	17/32	2	2-9/16	5/8
	15/16	@	WSTU-SCEZ-015-PCR	0.82							
	1	127540	WSTU-SCEZ-100-PCR	0.72							
	25mm	127575	WSTU-SCEZ-25M-PCR*	0.34							
206	1-1/16	@	WSTU-SCEZ-101-PCR*	1.13	WS308	1-25/64	4-1/2	17/32	2-1/4	2-7/8	3/4
	1-1/8	@	WSTU-SCEZ-102-PCR*	1.11							
	1-3/16	127541	WSTU-SCEZ-103-PCR	1.09							
	1-1/4	127542	WSTU-SCEZ-104S-PCR	1.07							
207	30mm	127576	WSTU-SCEZ-30M-PCR	0.49							
	1-1/4	127543	WSTU-SCEZ-104-PCR	1.58	WS308	1-17/32	4-15/16	17/32	2-1/4	3-1/8	3/4
	1-5/16	@	WSTU-SCEZ-105-PCR*	1.52							
	1-3/8	@	WSTU-SCEZ-106-PCR*	1.47							
1-7/16	127544	WSTU-SCEZ-107-PCR	1.42								
207	35mm	127577	WSTU-SCEZ-35M-PCR	0.69							
						38.9	125.4	13.5	57.2	79.4	19.1

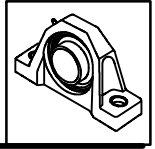
@ Assembled to order

*20 piece minimum

** + or -.020 + or -.50mm

Series	Shaft Size	G	H	J	K	L	M**	N	R	S	T
204	1/2	1/2	5/8	2-3/32	1-9/64	1-1/8	3	3-5/8	27/64	47/64	1-3/8
	5/8										
	20mm	12.7	15.9	53.2	29.0	28.6	76.2	92.1	10.7	18.7	34.9
205	7/8	1/2	5/8	2-1/8	1-9/64	1-21/64	3	3-5/8	27/64	49/64	1-3/8
	15/16										
	25mm	12.7	15.9	54.0	29.0	33.7	76.2	92.1	10.7	19.4	34.9
206	1-1/16	1/2	5/8	2-3/8	1-3/8	1-37/64	3-1/2	4-1/4	31/64	29/32	1-5/8
	1-1/8										
	1-3/16										
	30mm	12.7	15.9	60.3	34.9	40.1	88.9	108.0	12.3	23.0	41.3
207	1-1/4	1/2	5/8	2-27/64	1-3/8	1-27/32	3-1/2	4-1/4	1/2	1-1/32	1-5/8
	1-5/16										
	1-3/8										
	35mm	12.7	15.9	61.5	34.9	46.8	88.9	108.0	12.7	26.2	41.3

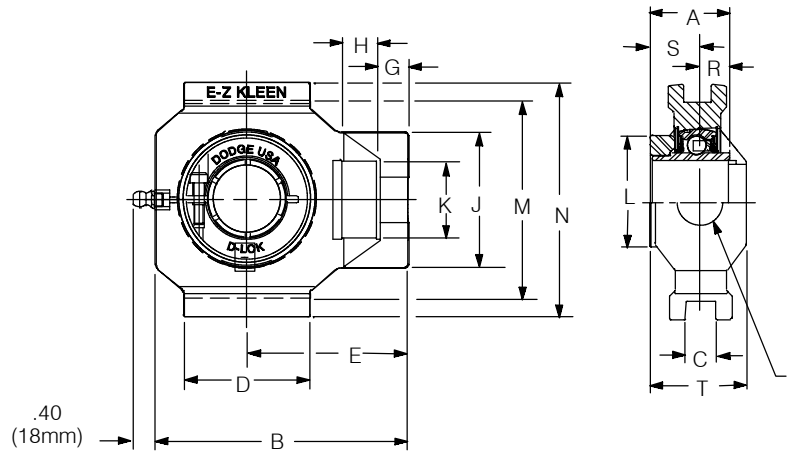
FEATURES/BENEFITS PAGE B1-2	HOW TO ORDER/ NOMENCLATURE PAGE B1-4	SELECTION PAGE B1-5	INTERCHANGE PAGE B1-38
--------------------------------	--	------------------------	---------------------------



SELECTION/DIMENSIONS

Polymer-Housed Units

DLEZ NORMAL-DUTY, POLYMER-HOUSED, BALL BEARING WIDE SLOT TAKE-UP BEARINGS



Series	Shaft Size	Part Number	Description	Weight lbs (kg)	Take-Up Frame No. Ref.	A	B	C**	D	E	F Thd Shaft
204	3/4	127617	WSTU-DLEZ-012-PCR	0.9	WS300	1-9/32	3-13/16	17/32	2	2-1/2	5/8
	20mm	127652	WSTU-DLEZ-20M-PCR*	0.4		32.5	96.8	13.5	50.8	63.5	15.9
205	7/8	@	WSTU-DLEZ-014-PCR*	1.4	WS300	1-7/16	3-15/16	17/32	2	2-9/16	5/8
	15/16	@	WSTU-DLEZ-015-PCR*	1.3							
	1	127618	WSTU-DLEZ-100-PCR	1.2							
	25mm	127653	WSTU-DLEZ-25M-PCR	0.5							
206	1-1/8	@	WSTU-DLEZ-102-PCR*	1.8	WS308	1-9/16	4-1/2	17/32	2-1/4	2-7/8	3/4
	1-3/16	127619	WSTU-DLEZ-103-PCR	1.7							
	1-1/4	127620	WSTU-DLEZ-104S-PCR	1.6							
	30mm	127654	WSTU-DLEZ-30M-PCR	0.8							
207	1-1/4	127621	WSTU-DLEZ-104-PCR	2.4	WS308	1-3/4	4-15/16	17/32	2-1/4	3-1/8	3/4
	1-3/8	@	WSTU-DLEZ-106-PCR*	2.3							
	1-7/16	127622	WSTU-DLEZ-107-PCR	2.3							
	35mm	127655	WSTU-DLEZ-35M-PCR	1.08							

@ Assembled to order.

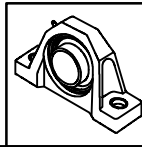
* 20 piece minimum

** + or -.020 + or - .50mm

Series	Shaft Size	G	H	J	K	L	M**	N	R	S	T
204	3/4	1/2	5/8	2-3/32	1-9/64	1-45/64	3	3-5/8	1/2	25/32	13/8
	20mm	12.7	15.9	53.3	29.0	43.3	76.2	92.1	12.7	19.8	34.9
205	7/8	1/2	5/8	2-1/8	1-9/64	2	3	3-5/8	9/16	7/8	1-3/8
	15/16	12.7	15.9	54.0	29.0	50.8	76.2	92.1	14.3	22.2	34.9
206	1	1/2	5/8	2-3/8	1-3/8	2-7/32	3-1/2	4-1/4	9/16	1	1-5/8
	1-3/16	12.7	15.9	60.3	34.9	56.4	88.9	108.0	14.3	25.4	41.3
	1-1/4	12.7	15.9	60.3	34.9	56.4	88.9	108.0	14.3	25.4	41.3
207	30mm	12.7	15.9	60.3	34.9	56.4	88.9	108.0	14.3	25.4	41.3
	1-1/4	1/2	5/8	2-27/64	1-3/8	2-11/16	3-1/2	4-1/4	11/16	1-1/16	1-5/8
	1-3/8	12.7	15.9	61.5	34.9	68.3	88.9	108.0	17.5	27.0	41.3
1-7/16	12.7	15.9	61.5	34.9	68.3	88.9	108.0	17.5	27.0	41.3	
35mm	12.7	15.9	61.5	34.9	68.3	88.9	108.0	17.5	27.0	41.3	

**+ or -.020 + or - .50mm

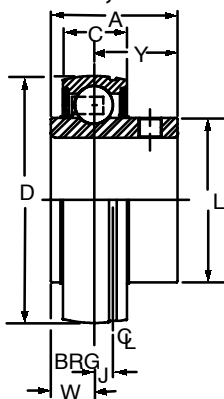
FEATURES/BENEFITS PAGE B1-2	HOW TO ORDER/ NOMENCLATURE PAGE B1-4	SELECTION PAGE B1-5	INTERCHANGE PAGE B1-38
--------------------------------	--	------------------------	---------------------------



SELECTION/DIMENSIONS

Polymer-Housed Units

SC NORMAL-DUTY, CORROSION-RESISTANT, BALL BEARING INSERTS

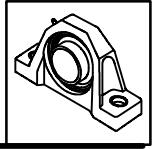


Series	Shaft Size	Part Number	Description	Weight lbs (kg)	A	C	D
204	1/2	052981	INS-SC-008L-CR	0.32 0.16	1-5/32	0.5906	1.8504
	5/8	127073	INS-SC-010L-CR				
	3/4	045600	INS-SC-012-CR				
	20mm	125876	INS-SC-20M-CR				
205	1	045601	INS-SC-100-CR	0.37	1-3/16	0.5906	2.0472
	25mm	050580	INS-SC-25M-CR	0.18	30.1	15.0	52.0
206	1-3/16	045602	INS-SC-103-CR	0.60	1-25/64	0.7087	2.4409
	1-1/4	045603	INS-SC-104S-CR	0.58	35.3	18.0	62.0
	30mm	125874	INS-SC-30M-CR	0.27			
207	1-1/4	045412	INS-SC-104-CR	1.02			
	1-7/16	045604	INS-SC-107-CR	0.86	38.9	19.0	72.0
	35mm	050653	INS-SC-35M-CR	0.44			
208	1-1/2	045605	INS-SC-108-CR	1.27			
	40mm	050654	INS-SC-40M-CR	0.51	42.7	22.0	80.0
209	1-11/16	125004	INS-SC-111-CR	1.43	1-23/32	0.8661	3.3465
	1-3/4	054145	INS-SC-112-CR	0.62	43.5	22.0	85.0
	45mm	125005	INS-SC-45M-CR				
210	1-15/16	045606	INS-SC-115-CR				
	2	045338	INS-SC-200-CR	0.67	44.3	22.0	90.0
	50mm	050656	INS-SC-50M-CR				

Series	Shaft Size	J	L	N	W	Y
204	1/2	0.152	1-1/8	1/4-28	7/16	23/32
	5/8	3.9	28.6	M6 x 1	10.8	18.4
	3/4					
	20mm					
205	1					
	25mm	3.9	33.7	M6 x 1	10.8	19.3
206	1-3/16	0.190	1-37/64	5/16-24	31/64	29/32
	1-1/4	4.8	40.1	1/4-28	12.3	23.0
	30mm			M8 x 1.25		
207	1-1/4			0.202		
	1-7/16	5.1	46.8	M8 x 1.25	12.7	26.2
35mm						
208	1-1/2	0.224	2-3/64	5/16-24	19/32	1-1/32
	40mm	5.7	52.0	M8 x 1.25	14.9	27.8
209	1-11/16	0.248	2-7/32	5/16-24	19/32	1-1/8
	1-3/4	6.3	56.4	M8 x 1.25	14.9	28.6
45mm						
210	1-15/16	0.248	2-7/16	3/8-24	19/32	1-1/8
	2	6.3	61.9	M10 x 1.5	14.9	29.4
50mm						

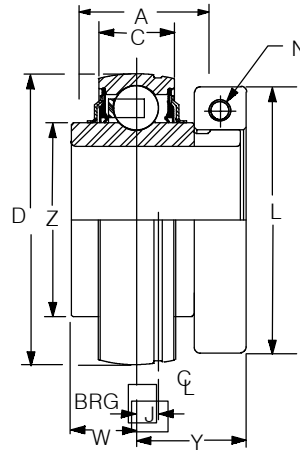
FEATURES/BENEFITS PAGE B1-2	HOW TO ORDER/ NOMENCLATURE PAGE B1-4	SELECTION PAGE B1-5	INTERCHANGE PAGE B1-38
--------------------------------	--	------------------------	---------------------------

SELECTION/DIMENSIONS



Polymer-Housed Units

DL NORMAL-DUTY, CORROSION-RESISTANT, BALL BEARING INSERTS

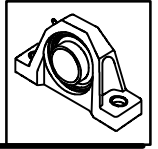


Series	Shaft Size	Part Number	Description	Weight lbs (kg)	A	C	D
204	3/4	126685	INS-DL-012-CR	0.60	1-9/32	0.5906	1.854
	20mm	126693	INS-DL-20M-CR*	0.28	32.5	15.0	47.0
205	1	126686	INS-DL-100-CR	0.80	1-7/16	0.5906	2.0472
	25mm	126694	INS-DL-25M-CR*	0.37	36.5	15.0	52.0
206	1-3/16	126687	INS-DL-103-CR	1.20	1-9/16	0.7087	2.4409
	1-1/4	126688	INS-DL-104S-CR	1.10			
	30mm	126695	INS-DL-30M-CR*	0.55	39.7	18.0	62.0
207	1-1/4	126689	INS-DL-104-CR	1.80	1-3/4	0.7480	2.8346
	1-7/16	052093	INS-DL-107-CR	1.70			
	35mm	126696	INS-DL-35M-CR*	0.83	44.5	19.0	72.0
208	1-1/2	126690	INS-DL-108-CR	2.20	2	0.8661	3.1496
	40mm	126697	INS-DL-40M-CR*	1.01	50.8	22.0	80.0
209	1-11/16	126691	INS-DL-111-CR	2.50	2	0.8661	3.3456
	45mm	126698	INS-DL-45M-CR*	1.15	50.8	22.0	85.0
210	1-15/16	126692	INS-DL-115-CR	3.00	2-3/32	0.8661	3.5433
	2	053986	INS-DL-200-CR				
	50mm	126699	INS-DL-50M-CR*	1.38	53.2	22.0	90.0

*Made to order.

Series	Shaft Size	J	L	N	W	Y	Z
204	3/4	0.1520	1-45/64	No. 8	1/2	25/32	1-1/8
	20mm	3.9	43.3	M4	12.7	19.8	28.6
205	1	0.1520	2	No. 10	9/16	7/8	1-21/64
	25mm	3.9	50.8	M5	14.3	22.2	33.7
206	1-3/16	0.1900	2-7/32	No. 10	5/8	15/16	1-37/64
	1-1/4						
	30mm	4.8	56.4	M5	15.9	23.8	40.1
207	1-1/4	0.2020	2-11/16	1/4	11/16	1-1/16	1-27/32
	1-7/16						
	35mm	5.1	68.3	M6	17.5	27.0	46.8
208	1-1/2	0.2240	2-25/32	1/4	3/4	1-1/4	2-3/64
	40mm	5.7	70.6	M6	19.1	31.8	52.0
209	1-11/16	0.2480	3-1/16	1/4	3/4	1-1/4	2-7/32
	45mm	6.3	77.8	M6	19.1	31.8	56.4
210	1-15/16	0.2480	3-9/32	1/4	3/4	1-11/32	2-7/16
	2						
	50mm	6.3	83.3	M6	19.1	34.1	61.9

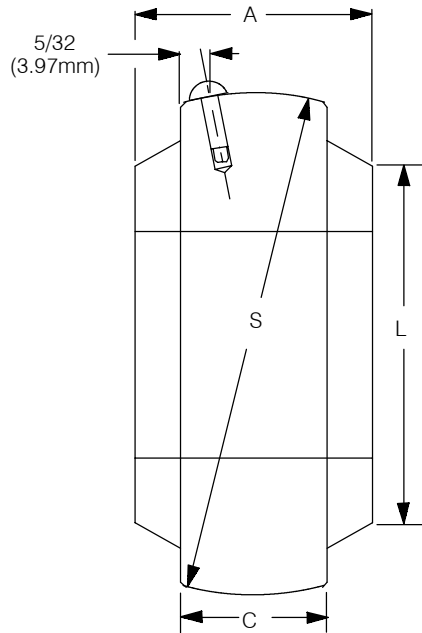
FEATURES/BENEFITS PAGE B1-2	HOW TO ORDER/ NOMENCLATURE PAGE B1-4	SELECTION PAGE B1-5	INTERCHANGE PAGE B1-38
--------------------------------	--	------------------------	---------------------------



SELECTION/DIMENSIONS

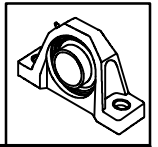
Polymer-Housed Units

PSEZ POLYMER-SLEEVE BEARING INSERTS



Series	Shaft Size	Part Number	Description	Weight lbs (kg)	A	C	L	S
204	3/4 20mm	032867	INS-PS-012	0.25	1	11/16	1-5/16	1.8465/1.8395
		032868	INS-PS-20M	0.14	25.4	17.5	33.3	46.9011/46.7233
205	1 25mm	032872	INS-PS-100	0.25	1-1/16	11/16	1-7/16	2.0435/2.0365
		032871	INS-PS-25M	0.15	27	17.5	36.5	51.9049/51.7271
206	1-3/16	032875	INS-PS-103	0.36	1-3/16	13/16	1-11/16	2.437/2.428
	1-1/4	032876	INS-PS-104S	0.35				
	30mm	032874	INS-PS-30M	0.16	30.2	20.6	42.9	61.8988/61.6712
207	1-1/4	032877	INS-PS-104	0.40	1-5/16	13/16	2	2.829/2.820
	1-7/16	032879	INS-PS-107	0.35				
	35mm	032878	INS-PS-35M	0.18	33.3	20.6	50.8	71.8566/71.6280
208	1-1/2	032881	INS-PS-108	0.46	1-1/2	7/8	2	3.144/3.135
	40mm	032882	INS-PS-40M	0.21	38.1	22.2	50.8	79.8576/79.6790
209	1-11/16	032883	INS-PS-111	0.48	1-9/16	7/8	2-5/16	3.3415/3.3315
	1-3/4	032884	INS-PS-112	0.48				
	45mm	032885	INS-PS-45M	0.23	39.7	22.2	58.7	84.8741/84.6201
210	1-15/16	032886	INS-PS-115	0.50	1-5/8	15/16	2-9/16	3.5375/3.5275
	50mm	032887	INS-PS-50M	0.23	41.3	23.8	65.1	89.8525/89.5985

FEATURES/BENEFITS PAGE B1-2	HOW TO ORDER/ NOMENCLATURE PAGE B1-4	SELECTION PAGE B1-5	INTERCHANGE PAGE B1-38
--------------------------------	--	------------------------	---------------------------



INTERCHANGE

Polymer-Housed Units

BALL BEARING PILLOW BLOCK REPLACEMENT

Shaft Size	DODGE		REPLACES			
	Part Number	Description	Fafnir	PTC	MRC	Sealmaster
3/4 20mm	127500 125745	P2B-SCEZ-012-PCR P2B-SCEZ-20M-PCR	YAS 3/4 PT YAS 20 PT	- -	CPB012ZM CPB20ZM	BP-12 -
1 25mm	127501 125746	P2B-SCEZ-100-PCR P2B-SCEZ-25M-PCR	YAS 1 PT YAS 25 PT	KP-S216 KP-S2M25	CPB100ZM CPB25ZM	BP-16 -
1-7/16 1-1/4 30mm	127502 127503 127547	P2B-SCUEZ-103-PCR P2B-SCUEZ-104S-PCR P2B-SCUEZ-30M-PCR	YAS 1-3/16 PT YAS 1-1/4S PT YAS 30 PT	KP-S219 KP-S2E20 KP-S2M30	CPB103ZM CPB104ZMR CPB30ZM	BP-19 BP-20R -
1-1/4 1-7/16 35mm	127504 127505 127548	P2B-SCEZ-104-PCR P2B-SCEZ-107-PCR P2B-SCEZ-35M-PCR	YAS 1-1/4 PT YAS 1-7/16 PT YAS 35 PT	KP-S220 KP-S223 KP-S2M35	CPB104ZM CPB107ZM CPB35ZM	BP-20 BP-23 -
1-1/2 40mm	127506 127549	P2B-SCBEZ-108-PCR P2B-SCBEZ-40M-PCR	YAS 1-1/2 PT YAS 40 PT	KP-S224 KP-S2M40	CPB108ZM CPB40ZM	BP-24 -
1-11/16 45mm	127507 127550	P2B-SCEZ-111-PCR P2B-SCEZ-45M-PCR	YAS 1-11/16 PT YAS 45 PT	- -	- -	BP-27 -
1-15/16 50mm	127508 127551	P2B-SCEZ-115-PCR P2B-SCEZ-50M-PCR	YAS 1-15/16 PT YAS 50 PT	- -	- -	BP-31 -

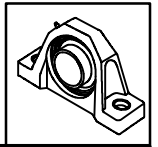
BALL BEARING TAPPED-BASE PILLOW BLOCK REPLACEMENT

Shaft Size	DODGE		REPLACES			
	Part Number	Description	Fafnir	PTC	MRC	Sealmaster
3/4 20mm	127509 127552	TB-SCEZ-012-PCR TB-SCEZ-20M-PCR	- -	- -	CTB012ZM CTB20ZM	BTB-12 -
1 25mm	127510 127553	TB-SCEZ-100-PCR TB-SCEZ-25M-PCR	- -	- -	CTB100ZM CTB25ZM	BTB-16 -
1-3/16 1-1/4 30mm	127511 127512 127554	TB-SCEZ-103-PCR TB-SCEZ-104S-PCR TB-SCEZ-30M-PCR	- -	- -	CTB103ZM CTB104ZMR CTB30ZM	BTB-19 BTB-20R -
1-1/4 1-7/16 35mm	127513 127514 127555	TB-SCEZ-104-PCR TB-SCEZ-107-PCR TB-SCEZ-35M-PCR	- -	- -	CTB104ZM CTB107ZM CTB35ZM	BTB-20 BTB-23 -

BALL BEARING 2-BOLT FLANGE REPLACEMENT

Shaft Size	DODGE		REPLACES			
	Part Number	Description	Fafnir	PTC	MRC	Sealmaster
3/4 20mm	127524 125563	F2B-SCEZ-012-PCR F2B-SCEZ-20M-PCR	YCJT 3/4 PT YCJT 20 PT	KFX-S212 KFX-S2M20	C2F012ZM C2F20ZM	BFT-12 -
1 25mm	127525 125564	F2B-SCEZ-100-PCR F2B-SCEZ-25M-PCR	YCJT 1 PT YCJT 25 PT	KFX-S216 KFX-S2M25	C2F100ZM C2F25ZM	BFT-16 -
1-3/16 1-1/4 30mm	127526 127527 127565	F2B-SCEZ-103-PCR F2B-SCEZ-104S-PCR F2B-SCEZ-30M-PCR	YCJT 1-3/16 PT YCJT 1-1/4S PT YCJT 30 PT	KFX-S219 KFX-S2E20 KFX-S2M30	C2F103ZM C2F104ZMR C2F30ZM	BFT-19 BFT-20R -
1-1/4 1-7/16 35mm	127528 127529 127566	F2B-SCEZ-104-PCR F2B-SCEZ-107-PCR F2B-SCEZ-35M-PCR	YCJT 1-1/4 PT YCJT 1-7/16 PT YCJT 35 PT	- -	C2F104ZM C2F107ZM C2F35ZM	BFT-20 BFT-23 -
1-1/2 40mm	127530 127567	F2B-SCBEZ-108-PCR F2B-SCBEZ-40M-PCR	YCJT 1-1/2 PT YCJT 40 PT	- -	C2F108ZM C2F40ZM	BFT-24 -
1-11/16 45mm	127531 127568	F2B-SCEZ-111-PCR F2B-SCEZ-45M-PCR	YCJT 1-11/16 PT YCJT 45 PT	- -	- -	BFT-27 -
1-15/16 50mm	127532 127569	F2B-SCEZ-115-PCR F2B-SCEZ-50M-PCR	YCJT 1-15/16 PT YCJT 50 PT	- -	- -	BFT-31 -

FEATURES/BENEFITS PAGE B1-2	HOW TO ORDER/ NOMENCLATURE PAGE B1-4	SELECTION PAGE B1-5	INTERCHANGE PAGE B1-38
--------------------------------	--	------------------------	---------------------------



INTERCHANGE

Polymer-Housed Units

BALL BEARING 4-BOLT REPLACEMENT

Shaft Size	DODGE		REPLACES			
	Part Number	Description	Fafnir	PTC	MRC	Sealmaster
3/4 20mm	127515 127556	F4B-SCEZ-012-PCR F4B-SCEZ-20M-PCR	YCJ 3/4 PT YCJ 20 PT	- -	C4F012ZM C4F20ZM	BF-12 -
1 25mm	127516 127557	F4B-SCEZ-100-PCR F4B-SCEZ-25M-PCR	YCJ 1 PT YCJ 25 PT	KF-S216 KF-S2M25	C4F100ZM C4F25ZM	BF-16 -
1-3/16 1-1/4 30mm	127517 127518 127558	F4B-SCEZ-103-PCR F4B-SCEZ-104S-PCR F4B-SCEZ-30M-PCR	YCJ 1-3/16 PT YCJ 1-1/4S PT YCJ 30 PT	KF-S219 KF-S2E20 KF-S2M30	C4F103ZM C4F104ZMR C4F30ZM	BF-19 BF-20R -
1-1/4 1-7/16 35mm	127519 127520 127559	F4B-SCEZ-104-PCR F4B-SCEZ-107-PCR F4B-SCEZ-35M-PCR	YCJ 1-1/4 PT YCJ 1-7/16 PT YCJ 35 PT	KF-S220 KF-S223 KF-S2M35	C4F104ZM C4F107ZM C4F35ZM	BF-20 BF-23 -
1-1/2 40mm	127521 127560	F4B-SCBEZ-108-PCR F4B-SCBEZ-40M-PCR	YCJ 1-1/2 PT YCJ 40 PT	KF-S224 KF-S2M40	C4F108ZM C4F40ZM	BF-24 -
1-11/16 45mm	127522 127561	F4B-SCEZ-111-PCR F4B-SCEZ-45M-PCR	YCJ 1-11/16 PT YCJ 45 PT	- -	- -	BF-27 -
1-15/16 50mm	127523 127562	F4B-SCEZ-115-PCR F4B-SCEZ-50M-PCR	YCJ 1-15/16 PT YCJ 50 PT	- -	- -	BF-31 -

BALL BEARING FLANGED BRACKET REPLACEMENT

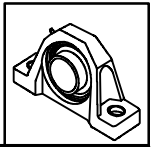
Shaft Size	DODGE		REPLACES			
	Part Number	Description	Fafnir	PTC	MRC	Sealmaster
3/4 20mm	127533 127570	FB-SCEZ-012-PCR FB-SCEZ-20M-PCR	- -	- -	- -	BFB-12 -
1 25mm	127534 127571	FB-SCEZ-100-PCR FB-SCEZ-25M-PCR	- -	- -	- -	BFB-16 -
1-3/16 1-1/4 30mm	127535 127536 127572	FB-SCEZ-103-PCR FB-SCEZ-104S-PCR FB-SCEZ-30M-PCR	- -	- -	- -	BFB-19 BFB-20R -
1-1/4 1-7/16 35mm	127537 127538 127573	FB-SCEZ-104-PCR FB-SCEZ-107-PCR FB-SCEZ-35M-PCR	- -	- -	- -	BFB-20 BFB-23 -

BALL BEARING WIDE SLOT TAKE-UP REPLACEMENT

Shaft Size	DODGE		REPLACES			
	Part Number	Description	Fafnir	PTC	MRC	MRC
3/4 20mm	127539 125574	WSTU-SCEZ-012-PCR WSTU-SCEZ-20M-PCR	- -	- -	- -	- -
1 25mm	127540 127575	WSTU-SCEZ-100-PCR WSTU-SCEZ-25M-PCR	- -	- -	- -	- -
1-3/16 1-1/4 30mm	127541 127542 127576	WSTU-SCEZ-103-PCR WSTU-SCEZ-104S-PCR WSTU-SCEZ-30M-PCR	- -	- -	- -	- -
1-1/4 1-7/16 35mm	127543 127544 127577	WSTU-SCEZ-104-PCR WSTU-SCEZ-107-PCR WSTU-SCEZ-35M-PCR	- -	- -	- -	- -

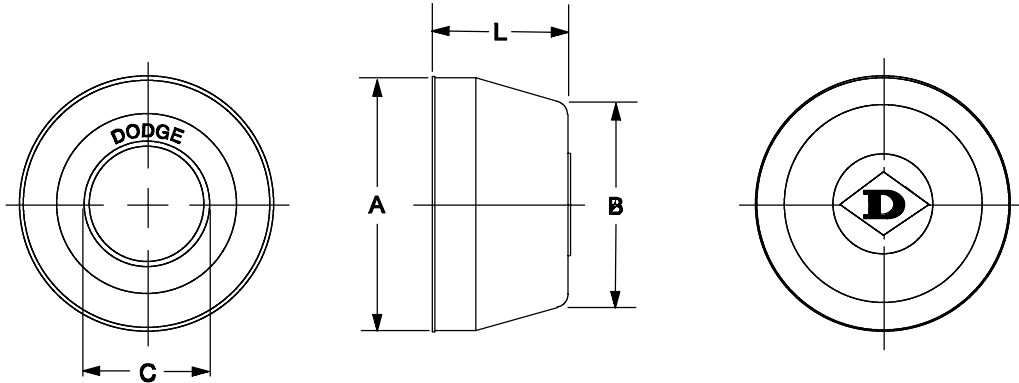
FEATURES/BENEFITS PAGE B1-2	HOW TO ORDER/ NOMENCLATURE PAGE B1-4	SELECTION PAGE B1-5	INTERCHANGE PAGE B1-38
--------------------------------	--	------------------------	---------------------------

ACCESSORIES



Polymer-Housed Units

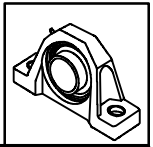
POLYMER END CLOSURES FOR POLYMER-HOUSED MOUNTED UNITS



Series	For Shaft Size	Part Number	Description	Weight lbs (kg)	A	B	C	L	Add On To PB & TB Dimension	Add On To 2B, 4B & FB Dimension	Add On To Take-Up Dimension
204	3/4 20mm	125280	ECP-204	0.011 0.005	1-57/64 48.0	1-3/8 35.1	7/8 22.1	1-5/32 29.2	45/64 18.0	1-1/16 27.0	49/64 19.3
205	1 25mm	125281	ECP-205	0.013 0.006	2-11/64 55.1	1-39/64 40.9	1-3/32 27.9	1-3/16 30.2	47/64 18.8	1-3/32 27.8	51/64 20.3
206	1-3/16 1-1/4 30mm	125282	ECP-206	0.020 0.009	2-1/2 63.5	1-31/32 50.0	1-17/64 32.0	1-21/64 33.8	25/32 19.8	1-1/4 31.8	7/8 22.1
207	1-1/4 1-7/16 35mm	125283	ECP-207	0.026 0.012	2-29/32 73.9	2-5/16 58.9	1-1/2 38.1	1-15/32 37.3	29/32 22.9	1-3/8 34.9	1-1/32 26.2
208	1-1/2 40mm	125284	ECP-208	0.037 0.017	3-5/16 84.1	2-49/64 70.1	1-49/64 45.0	1-35/64 39.1	59/64 23.4	1-29/64 36.9	-
209	1-11/16 45mm	125406	ECP-209	0.46 0.021	3-1/2 88.9	2-7/8 72.9	2 50.8	1-9/16 40.4	15/16 23.9	1-1/2 38.1	-
210	1-15/16 50mm	125408	ECP-210	0.49 0.022	3-5/8 92.1	3 76.2	2-1/4 57.2	1-21/32 42.2	29/32 22.9	1-37/64 40.1	-

FEATURES/BENEFITS PAGE B1-2	HOW TO ORDER/ NOMENCLATURE PAGE B1-4	SELECTION PAGE B1-5	INTERCHANGE PAGE B1-38
--------------------------------	--	------------------------	---------------------------

ACCESSORIES



Polymer-Housed Units

SOLID STEEL SHAFT COLLARS

Shaft Size	Part Number*		Dimensions			
	Steel	Stainless	OD	Width	Screw	Weight
1/8	-	456225	0.36	0.25	#6	0.01
3/16	40001	456226	0.44	0.25	#8	0.01
1/4	40002	456227	0.50	0.28	#10	0.01
5/16	40003	456228	0.63	0.34	#10	0.01
3/8	40004	456229	0.75	0.38	1/4	0.01
7/16	40005	-	0.88	0.44	1/4	0.05
1/2	40006	456230	1.00	0.44	1/4	0.1
9/16	40007	-	1.00	0.44	1/4	0.1
5/8	40008	456231	1.13	0.50	5/16	0.1
11/16	40009	-	1.25	0.56	5/16	0.1
3/4	40010	456232	1.25	0.56	5/16	0.1
13/16	40011	-	1.31	0.56	5/16	0.1
7/8	40012	456234	1.50	0.56	5/16	0.2
15/16	40013	-	1.63	0.56	5/16	0.2
1	40014	456234	1.63	0.63	5/16	0.2
1-1/16	40015	-	1.75	0.63	5/16	0.2
1-1/8	40016	456235	1.75	0.63	5/16	0.2
1-3/16	40017	-	2.00	0.69	3/8	0.4
1-1/4	40018	456236	2.00	0.69	3/8	0.4
1-5/16	40019	-	2.13	0.69	3/8	0.4
1-3/8	40020	-	2.13	0.75	3/8	0.4
1-7/16	40021	456237	2.25	0.75	3/8	0.5
1-1/2	40022	-	2.25	0.75	3/8	0.5
1-9/16	40023	-	2.50	0.81	3/8	0.7
1-5/8	40024	-	2.50	0.81	3/8	0.6
1-11/16	40025	-	2.50	0.81	3/8	0.6
1-3/4	40026	456238	2.75	0.88	1/2	0.8
1-7/8	40027	-	2.75	0.88	1/2	0.8
1-15/16	40028	-	3.00	0.88	1/2	1.0
2	40029	456239	3.00	0.88	1/2	1.0
2-3/16	40030	-	3.25	0.94	1/2	1.2
2-1/4	40031	-	3.25	0.94	1/2	1.2
2-7/16	40032	-	3.50	1.00	1/2	1.4
2-1/2	040033	-	3.50	1.00	1/2	1.3
2-15/16	040034	-	4.25	1.13	1/2	2.2

* Material: Steel is mild carbon steel.
 Stainless is 300-series stainless.
 All sizes are fitted with one setscrew.

FEATURES/BENEFITS PAGE B1-2	HOW TO ORDER/ NOMENCLATURE PAGE B1-4	SELECTION PAGE B1-5	INTERCHANGE PAGE B1-38
--------------------------------	--	------------------------	---------------------------