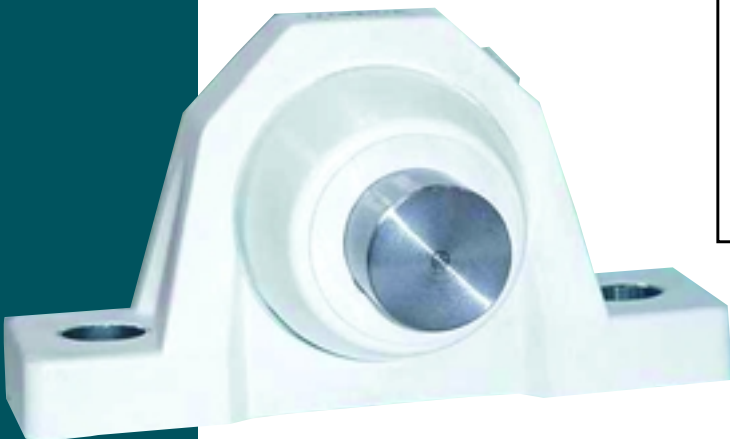
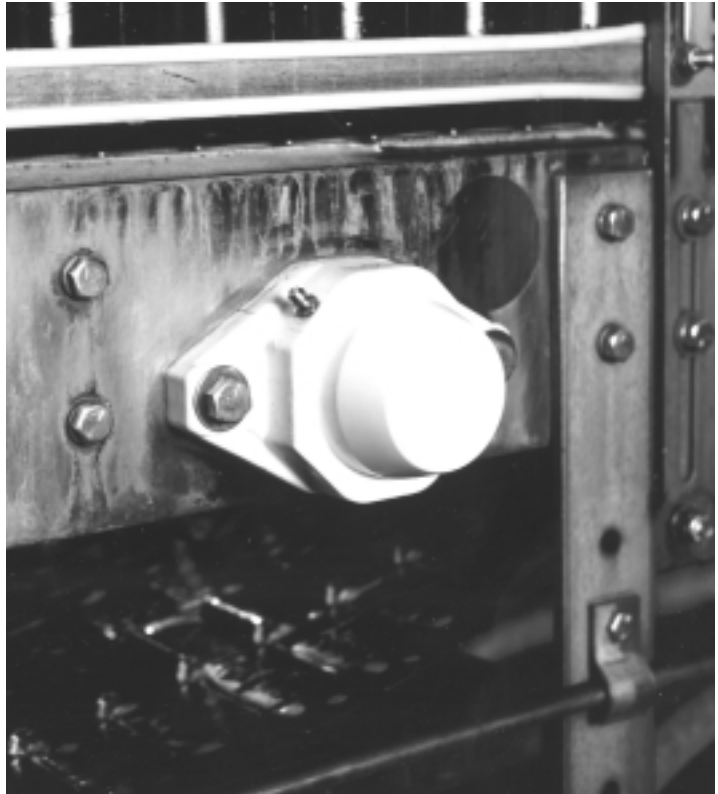


DODGE® End Closure for Polymer and Stainless Steel Housed Ball and Sleeve Bearings.

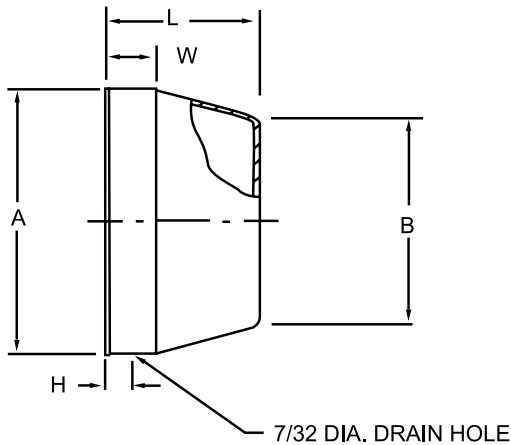
DODGE has taken the next step in meeting customer requirements for end closures. Two types are now available to complement the E-Z Kleen® bearing line. The new open end closure is designed for through shaft applications. A labyrinth seal with elongated fingers front and back plus a tight fit to the shaft prevent liquid entry into the closure. The familiar white polymer closed end closure for polymer and stainless steel housings continues to be available. Each is now furnished with a drain hole. If the customer does not desire a drain hole, a polymer plug is provided that can be inserted into the hole. Both are available from stock for series 204 through series 210 housings.



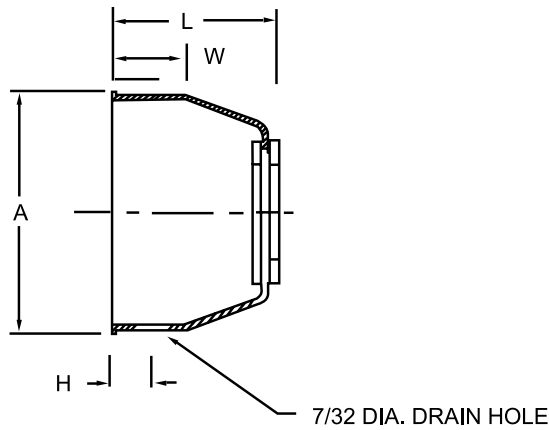
New Nomenclature:

ECC-	EZ-	208	
↓	↓	↓	
		208	Series on closed end closures
		115	Shaft size on open end closures
			EZ- E-Z KLEEN
			ECC- End Closure Closed
			ECO- End Closure Open

NEW! End Closure for Polymer and Stainless Housed Mounted Units



End Closure - Closed (ECC)



End Closure - Closed (ECO)

Series	For Shaft Size	Closed End Closure		Open End Closure		Weight lbs (kg)	A	B	H	ECC	L	ECO	W
		Part Number	Description	Part Number	Description								
204	3/4 20mm	128960	ECC-EZ-204	128974	ECO-EZ-012	0.18	1 57/64	1 3/8	5/16	1 1/8	1 3/16	17/32	
				128991	ECO-EZ-20M	0.005	48.0	35.1	7.9	28.6	30.2		
205	1 25mm	128961	ECC-EZ-205	128975	ECO-EZ-100	0.22	2 11/64	1 39/64	5/16	1 3/16	1 1/4	17/32	
				128992	ECO-EZ-25M	0.006	55.1	40.9	7.9	30.2	31.8	13.5	
206	1-3/16 1-1/4 30mm	128962	ECC-EZ-206	128976	ECO-EZ-103	0.33	2 1/2	1 31/32	5/16	1 11/32	1 25/64	9/16	
				128989	ECO-EZ-104S								
207	1-1/4 1-7/16 35mm	128963	ECC-EZ-207	128993	ECO-EZ-30M	0.009	63.5	50.0	7.9	33.7	35.3	14.3	
				128977	ECO-EZ-104	0.44	2 29/32	2 5/16	5/16	1 15/32	1 17/32	11/16	
208	1-1/2 40mm	128964	ECC-EZ-208	128990	ECO-EZ-107	0.012	73.9	58.9	7.9	37.3	38.9	17.5	
				128978	ECO-EZ-108	0.62	3 5/16	2 49/64	1/2	1 17/32	1 19/32	11/16	
209	1-11/16 45mm	128965	ECC-EZ-209	128996	ECO-EZ-40M	0.017	84.1	70.1	12.7	38.9	40.5	17.5	
					ECO-EZ-111	0.76	3 1/2	2 7/8	1/2	1 5/8	1 21/32	23/32	
210	1-5/16 2 50mm	128966	ECC-EZ-210	128994	ECO-EZ-35M	0.021	88.9	72.9	12.7	40.5	42.1	18.3	
				128980	ECO-EZ-115	0.80	3 5/8	3	1/2	1 21/32	1 23/32	29/32	
				128997	ECO-EZ-50M	0.022	92.1	76.2	12.7	42.1	43.7	23.0	

@ Made to order

Series	For Shaft Size	Closed End Closure		Open End Closure		ECC add on dimension			ECO add on dimension		
		Part Number	Description	Part Number	Description	P2B & TB	2B, 4B, & FB	Take-Up	to P2B & TB	2B, 4B, & FB	Take-Up
204	3/4 20mm	128960	ECC-EZ-204	128974	ECO-EZ-012	45/64	1 1/16	49/64	49/64	1 1/8	53/64
				128991	ECO-EZ-20M	17.9	27.0	19.4	19.4	28.6	21.0
205	1 25mm	128961	ECC-EZ-205	128975	ECO-EZ-100	47/64	1 3/32	51/64	51/64	1 5/32	55/64
				128992	ECO-EZ-25M	18.7	27.8	20.2	20.2	29.4	21.8
206	1-3/16 1-1/4 30mm	128962	ECC-EZ-206	128976	ECO-EZ-103	25/32	1 1/4	7/8	27/32	1 5/16	15/16
				128989	ECO-EZ-104S						
207	1-1/4 1-7/16 35mm	128963	ECC-EZ-207	128993	ECO-EZ-30M	19.8	31.8	22.2	21.4	33.3	23.8
				128977	ECO-EZ-104	29/32	1 3/8	1 1/32	31/32	1 7/16	1 3/32
208	1-1/2	128964	ECC-EZ-208	128990	ECO-EZ-107	23.0	34.9	26.2	24.6	36.5	27.8
				128978	ECO-EZ-108	59/64	1 29/64	----	63/64	1 33/64	----
209	1-11/16 45mm	128965	ECC-EZ-209	@	ECO-EZ-111	15/16	1 1/2	----	1	1 9/16	----
				@	ECO-EZ-45M	23.8	36.1	----	25.4	39.7	----
210	1-5/16 2 50mm	128966	ECC-EZ-210	128980	ECO-EZ-115	29/32	1 37/64	----	31/32	1 41/64	----
				128997	ECO-EZ-50M	23.0	40.1	----	24.6	41.7	----

@ Made to order

www.rockwellautomation.com www.ptplace.com www.dodge-pt.com www.reliance.com

Corporate Headquarters

Rockwell Automation, 777 East Wisconsin Avenue, Suite 1400, Milwaukee, WI, 53202-5302 USA, Tel: (1) 414.212.5200, Fax: (1) 414.212.5201

Headquarters for Dodge and Reliance Electric Products

Americas: Rockwell Automation, 6040 Ponders Court, Greenville, SC 29615-4617 USA, Tel: (1) 864.297.4800, Fax: (1) 864.281.2433

Europe: Rockwell Automation, Brühlstraße 22, D-74834 Elztal-Dallau, Germany, Tel: (49) 6261 9410, Fax: (49) 6261 1774

Asia Pacific: Rockwell Automation, 55 Newton Road, #11-01/02 Revenue House, Singapore 307987, Tel: (65) 351 6723, Fax: (65) 351 1733

Headquarters for Allen-Bradley Products, Rockwell Software Products and Global Manufacturing Solutions

Americas: Rockwell Automation, 1201 South Second Street, Milwaukee, WI 53204-2496 USA, Tel: (1) 414.382.2000, Fax: (1) 414.382.4444

RAPS-720-1

8/01-2M-K

This material is not intended to provide operational instructions. Appropriate Rockwell Automation instruction manuals and precautions should be studied prior to installation, operation or maintenance of equipment.

Copyright © 2001 Rockwell Automation. All rights reserved. Printed in USA.
E-Z KLEEN, DODGE and RELIANCE ELECTRIC are trademarks of Rockwell Automation.

