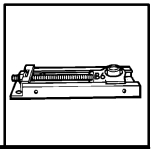


CONTENTS

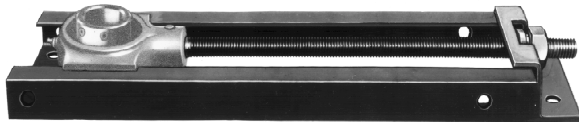
Take-Up Frames and Base Plates

- Features/Benefits B13-2
- How To Order B13-6
- Nomenclature B13-7
- Selection/Dimension
 - Narrow Slot Ball Bearing B13-8
 - Wide Slot Ball Bearing B13-12
 - Top Angle B13-16
 - TPHU B13-22
 - Center Pull B13-24
 - LD Protected Screw B13-26
 - HD Protected Screw B13-37
 - Type C Elevator Boot B13-45
 - BRONZOIL B13-46
 - Type A&B B13-47
 - Frames With Stainless Steel Screws B13-49
 - Adjustable Base Plates B13-51
 - Shaft Collars B13-53
- Part Number Index INDEX-1
- Keyword Index INDEX-28



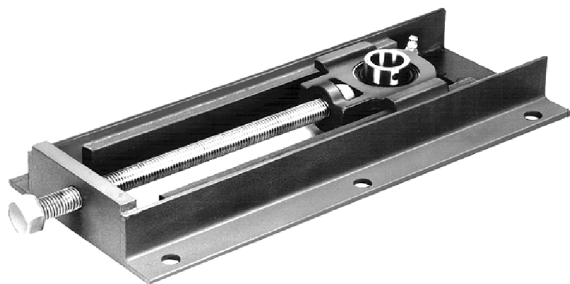
Take-up Frames

The flexibility of the ten basic take-up frames allow for the mounting of DODGE Ball, Roller, and Sleeve Bearings to encompass the vast range of conveyor, belt, and chain take-up applications.



Five sizes of Narrow Slot Ball Bearing Take-Up Frames—Eleven (11) take-up frames with travels of 6 to 18 inches for:

- SC, VSC & SCM Ball Bearing Take-Up Bearing from 1/2" thru 2-7/16" shaft size, and metric 20 mm to 60 mm.
- SXV and SXR Ball Bearing Take-Up Bearing from 3/4" through 2-7/16" shaft size.
- DL Ball Bearing Take-Up Bearing from 3/4" through 1-7/16" shaft size
- LT700 and LT1000 SOLIDLUBE® Take-Up Bearing from 3/4" through 2-1/2" shaft size.



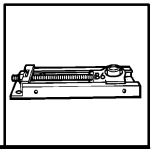
Six sizes of Wide Slot Ball Bearing Take-Up Frames—Thirty (30) take-up frames with travels of 1-1/2 to 30 inches for:

- SC, VSC and SCM Wide Slot Take-Up Bearings from 1/2" thru 3" shaft size, and metric 20 mm to 75 mm.
- SXV and SXR Wide Slot Take-Up Bearings from 3/4" thru 2-7/16" shaft size.
- DL Ball Bearing Take-Up Bearing from 1-7/16" through 1-15/16" shaft size.
- LT700 and LT1000 SOLIDLUBE® Wide Slot Take-Up Bearing from 3/4" through 3" shaft size.



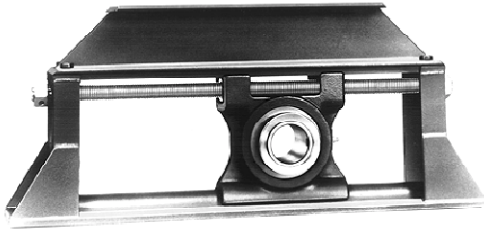
Six sizes of Top Angle Take-Up Frames—Thirty-Six (36) Take-Up frames with travels of 12 to 48 inches for:

- GLT-700 & GLT-1000 Series (SOLIDLUBE Sleeve) Take-Up bearings from 1-15/16" through 3" shaft size.
- Type H (Babbitted Sleeve) Take-Up bearings from 1-15/16" through 3-15/16" shaft size.
- Type G (SC Ball Bearing) Take-Up bearings from 1-15/16" through 2-15/16" shaft size.
- Type GXR (SXR Ball Bearing) Take-Up bearings from 1-15/16" through 2-7/16" shaft size.
- Type GM (SCM Ball Bearing) Take-Up bearings from 1-11/16" through 3-1/2" shaft size.
- Type E (Tapered Roller) Take-Up bearings from 1-3/4" through 4" shaft size.
- Type K (Tapered Roller) Take-Up bearings from 1-3/4" through 3-15/16" shaft size.
- TP S2000 (Spherical Roller) Take-Up bearings from 1-7/8" through 5" shaft size.



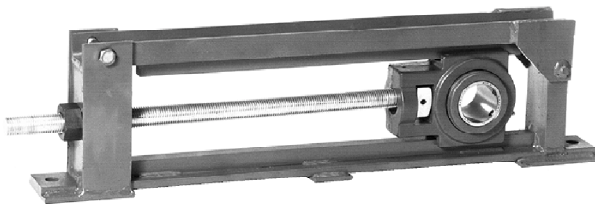
FEATURES/BENEFITS

Take-up Frames



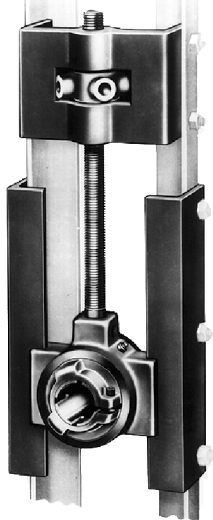
Eight sizes of TPHU Take-Up Frames—Twenty-Four (24) Take-Up frames with travels of 12 to 36 inches for:

- TPHU S-2000 (Spherical Roller) Take-Up Bearings from 1-7/8" thru 5" shaft size.



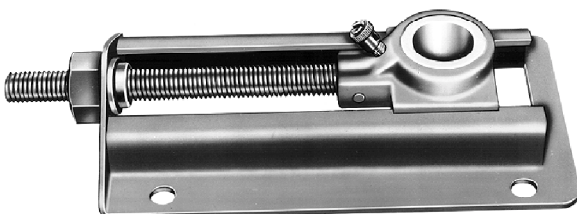
Nine sizes of Center Pull Wide Slot Take-Up Frames—Forty-five (45) take-up frames with travels of 12 to 36 inches for:

- Type E tapered wide slot bearing from 1-3/8" to 3" bore size.
- Type K tapered wide slot bearing from 1-3/8" to 3" bore size.
- S-2000 spherical wide slot bearing from 1-1/8" to 5" bore size.
- Imperial spherical wide slot bearing from 1-7/16" to 3-15/16" bore size.
- U.S. Patent No. 4,676,670



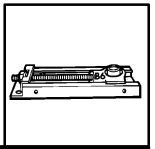
One size of Type C Elevator Boot Take-Up Frame—Only 1 Take-Up frame with 9 inch travel for:

- Type C (Tapered Roller) Take-Up bearings from 1-3/16" through 2-15/16" shaft size.



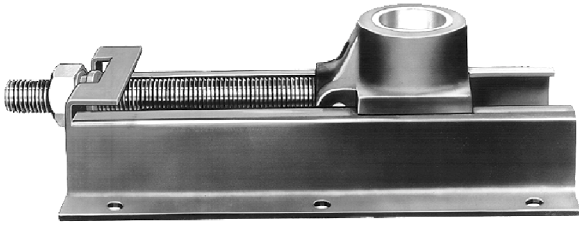
One size of BRONZOIL® Sleeve Bearing Take-Up—The BRONZOIL Take-Up is recommended for light-to-medium loads and for use at moderate speeds; such as package conveyors, light material handling installations, or other similar applications.

There are 6 take-ups from 1/2" through 1" shaft size with 4 inch travel.

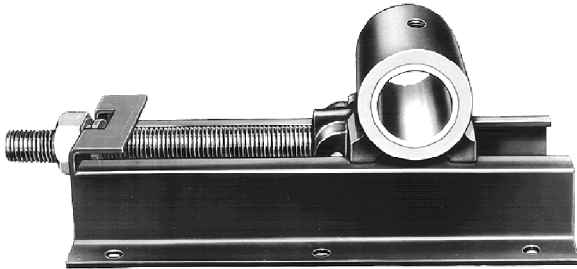


FEATURES/BENEFITS

Take-up Frames



Type A

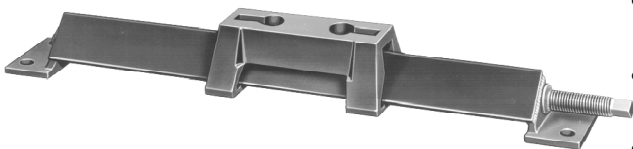


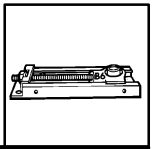
Type B

Six sizes of Type AB Take-Up Frames—Five (5) take-up frames with 5 to 18 inch travel for: —A & B (Babbitted Sleeve) Take-up bearings from 1-15/16" through 2-7/16" shaft size.

Six sizes of LD Protected Screw Take-Up Frames — Forty-Six (46) take-up frames with 6 to 48 inch travel for:

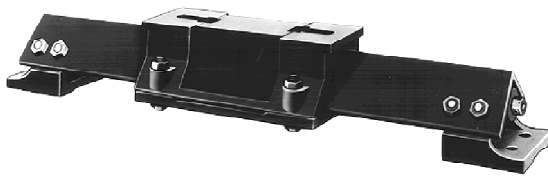
- SC/SCB (Ball Bearing) pillow blocks from 1/2" through 2-15/16" bore size.
- SXR/SXRB & SXV/SXVB (Ball Bearing) pillow blocks from 1/2" through 2-7/16", bore size
- DL/DLB (Ball Bearing) pillow blocks from 3/4" through 2-15/16" bore size.
- SCM (Ball Bearing) pillow blocks from 1-7/16" through 3-1/2" bore size.
- DLM (Ball Bearing) pillow blocks from 1" through 3-7/16" bore size
- Babbitted (Sleeve) Solid Journal bearing from 1/2" through 2-15/16" bore size.
- Solidlube (Sleeve) LT700 and LT1000 Series pillow blocks from 3/4" through 3" bore size.
- Solidlube (Sleeve) LTB700 and LTB1000 Series pillow blocks from 3/4" through 2-1/2" bore size.
- Unisphere (Spherical Roller) two (2) bolt base pillow block from 1-7/16" through 3-1/2" bore sizes.
- Imperial (Spherical Roller) two (2) bolt base pillow block from 1-7/16" through 3-15/16" bore size.
- SCH, SCH-E SXRH, SXRH-E, DLH, DLH-E SCMH SCMH-E, DLMH, DLMH-E.





FEATURES/BENEFITS

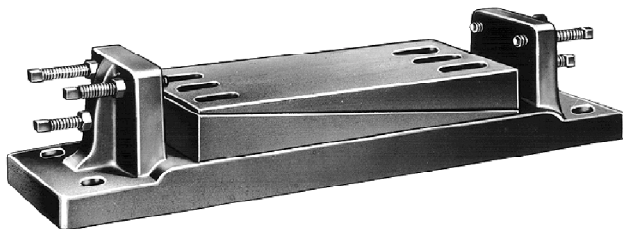
Take-up Frames



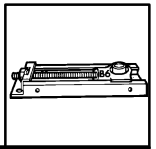
Eight sizes of HD Protected Screw Take-Up Frames—Forty-One (41) take-up frames with travels from 12 to 60 inches for:

- Angle Babbitted (Sleeve) pillow blocks from 1-15/16" through 5-15/16", bore size.
- Angle Bronze Bushed (Sleeve) pillow blocks from 1-15/16" through 5-15/16", bore size.
- Type E (Taper Roller) pillow blocks from 1-1/2" through 6" bore size.
- Type K (Taper Roller) pillow blocks from 1-1/2" through 3-15/16" bore size.
- K/DI (Taper Roller) pillow blocks from 1-1/2" through 5" bore size.
- Type C (Taper Roller) pillow blocks from 1-11/16" through 5" bore size.
- Special Duty (Taper Roller) pillow blocks from 2-11/16" through 6" bore size.
- Solidlube (Sleeve) MM700 and MM1000 Series pillow blocks from 3-7/16" through 5" bore size.
- SAF-XT, TAF, STAR, etc. (Spherical and Tapered Roller) pillow blocks from 1-15/16" through 5-1/2" bore size and larger.
- USAF, SAFS spherical pillow blocks, 2-bolt and 4-bolt from 2-7/16" through 5-1/2" bore size.
- S2000 spherical pillow blocks, 2-bolt and 4-bolt from 1-7/8" through 5" bore size.
- Unisphere (Spherical Roller) pillow block 2-bolt base from 1-15/16" through 4" bore sizes.
- Imperial (Spherical roller) pillow block 2-bolt and 4-bolt from 1-15/16" through 4-15/16" bore size.
- For larger bore bearings use HD600 or HD650, consult DODGE.

BASE PLATES



Adjustable base plate for adjusting shaft height for Type C, Special Duty, all Steel TAF, SAF-XT, USAF, and SAFS Pillow Blocks.



Take-up Frames

There are two ways to specify DODGE Take-Up Frames. Most of the product offering have part numbers with listings shown throughout this catalog. Use of part numbers ensures accurate order processing.

When part numbers are not shown, the product may be specified by description or part name. This method is used when ordering units that include modifications or options. To order by description, use the nomenclature key shown on page B13-7 and add any special instructions to the end of the description for options not covered by the nomenclature.

NOTE: All Take-Up Frames, except Bronzoil Take-Ups, are without the Take-Up Bearings. Thus, for a complete Take-Up; order a Take-Up Frame and Take-Up Bearing.

The HD Protected Screw Take-Up Frames

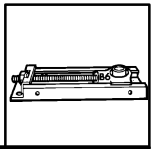
HD 200 through HD 350 Take-Up frames will accommodate pillow blocks on saddles which are slotted for two-bolt Pillow Blocks and may be ordered by part numbers. When using four-bolt Pillow Blocks; or on HD frames 400 and larger, please supply:

1. Bore size of pillow block
2. Type of block (Type E, Double Interlock, SAF-XT, etc.)
3. Whether pillow block is two-or four-bolt style
4. Frame Travel

Modifications:

For OEM special Take-Up Frames consult Dodge. Certain modifications are available such as Stainless Steel Screw And Hydraulically Actuated.

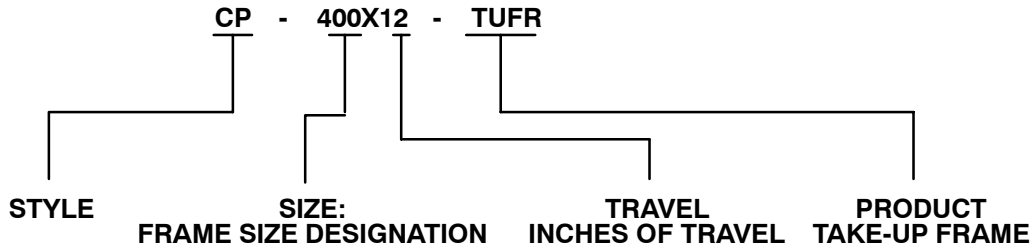
FEATURES/BENEFITS PAGE B13-2	NOMENCLATURE PAGE B13-7	SELECTION PAGE B13-8	
---------------------------------	----------------------------	-------------------------	--



NOMENCLATURE

Take-up Frames And Base Plates

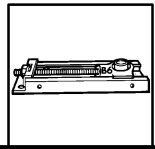
TAKE-UP FRAME NOMENCLATURE



CP	CENTER PULL WIDE SLOT TAKE-UP FRAME
WS	WIDE SLOT BALL BEARING TAKE-UP FRAME
NS	NARROW SLOT BALL BEARING TAKE-UP FRAME
LD	LIGHT DUTY PROTECTED SCREW TAKE-UP FRAME
TU	TAKE-UP (ASSEMBLY OF FRAME AND BEARING)
HD	HEAVY DUTY PROTECTED SCREW TAKE-UP FRAME
TP	TOP ANGLE TAKE-UP FRAME
TPHU	TOP ANGLE HEAVY DUTY UNIVERSAL TAKE-UP FRAME
CEB	TYPE C ELEVATOR BOOT TAKE-UP FRAME
AB	TYPE AB TAKE-UP FRAME
TUA	TYPE A BABBITTED TAKE-UP BEARING
TUB	TYPE B BABBITTED TAKE-UP BEARING
BOTU	BRONZOIL TAKE-UP
FR	FRAME
SSS	STAINLESS STEEL SCREW
ABP	ADJUSTABLE BASE PLATES

T.U.= TAKE-UP WHEN USED AS AN ABBREVIATION THROUGHOUT THIS SECTION.

FEATURES/BENEFITS PAGE B13-2	HOW TO ORDER PAGE B13-6	SELECTION PAGE B13-8	
---------------------------------	----------------------------	-------------------------	--



SELECTION/DIMENSIONS

Take-up Frames-NS

TAKE-UP BEARINGS FOR NARROW SLOT BALL BEARING TAKE-UP FRAMES

SETSCREW BALL BEARINGS - INCH SC Normal Duty Narrow Slot Take-Up Bearings

Shaft Size	Part Number	Bearing Description	Weight lbs.	Take-Up Frame No. Ref.	A	L
1/2	125328	NSTU-SC-008	1.6	NS-210	1-5/32	2-9/64
5/8	125329	NSTU-SC-010	1.5			
3/4	125050	NSTU-SC-012	1.4			
7/8	125365	NSTU-SC-014	1.7	NS-210	1-3/16	2-3/16
15/16	125051	NSTU-SC-015	1.6			
1	125052	NSTU-SC-100	1.5			
1-1/16	125366	NSTU-SC-101	2.9	NS-308	1-25/64	2-11/32
1-1/8	125367	NSTU-SC-102	2.8			
1-3/16	125153	NSTU-SC-103	2.6			
1-1/4	123174	NSTU-SC-104S	2.5			
1-1/4	125154	NSTU-SC-104	2.8	NS-308	1-35/64	2-15/32
1-5/16	125368	NSTU-SC-105	2.7			
1-3/8	125369	NSTU-SC-106	2.6			
1-7/16	125155	NSTU-SC-107	2.5			
1-1/2	125156	NSTU-SC-108	4.7	NS-400	1-11/16	3-1/64
1-5/8	125370	NSTU-SC-110	4.6			
1-5/8	@	NSTU-SC-110L	4.9	NS-400	1-23/32	3-3/64
1-11/16	125157	NSTU-SC-111	4.8			
1-3/4	125371	NSTU-SC-112	4.7			
1-15/16	125158	NSTU-SC-115	4.9	NS-400	1-3/4	3-5/64
2	125372	NSTU-SC-200	4.8			
2	135171	NSTU-SCM-200	6.8	NS-407	1-27/32	3-9/64
2-3/16	125160	NSTU-SC-203	6.6			
2-1/4	125373	NSTU-SC-204	6.5			
2-1/4	135172	NSTU-SCM-204	8.7	NS-415	1-63/64	3-15/64
2-7/16	125162	NSTU-SC-207	8.4			

@ Assembled to order.

SETSCREW BALL BEARINGS - INCH SCM Medium Duty Narrow Slot Take-Up Bearings

Shaft Size	Part Number	Bearing Description	Weight lbs.	Take-Up Frame No. Ref.	A	L
1	135102	NSTU-SCM-100	3.0	NS-308	1-25/64	2-11/32
1-3/16	135081	NSTU-SCM-103	2.9	NS-308	1-17/32	2-31/64
1-1/4	125154	NSTU-SC-104	2.8			
1-7/16	135105	NSTU-SCM-107	4.7	NS-400	1-11/16	2-31/32
1-1/2	135106	NSTU-SCM-108	5.0	NS-400	1-23/32	3
1-11/16	135107	NSTU-SCM-111	5.3	NS-400	1-3/4	3-12/32
1-3/4	135170	NSTU-SCM-112	5.2			
1-15/16	135109	NSTU-SCM-115	7.0	NS-407	1-27/32	3-7/64
2	135171	NSTU-SCM-200	6.8			
2-3/16	135111	NSTU-SCM-203	8.9	NS-415	1-63/64	3-3/16
2-1/4	135172	NSTU-SCM-204	8.7			

SETSCREW BALL BEARINGS- METRIC SC Normal Duty Narrow Slot Metric Take-Up Bearings

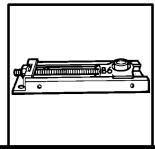
Shaft Size mm	Part Number	Bearing Description	Weight kg	Take-Up Frame No. Ref.	A	L
20	125900	NSTU-SC-20M	0.6	NS-210	1-5/32	2-9/64
25	125901	NSTU-SC-25M	0.7	NS-210	1-3/16	2-3/16
30	125902	NSTU-SC-30M	1.2	NS-308	1-25/64	2-11/32
35	125903	NSTU-SC-35M	1.2	NS-308	1-35/64	2-15/32
40	125904	NSTU-SC-40M	2.1	NS-400	1-11/16	3-1/64
45	125905	NSTU-SC-45M	2.1	NS-400	1-23/32	3-3/64
50	125906	NSTU-SC-50M	2.2	NS-400	1-3/4	3-5/64
55	125907	NSTU-SC-55M	3.0	NS-407	1-27/32	3-9/64
60	125908	NSTU-SC-60M	4.9	NS-415	1-63/64	3-15/64

D-LOK BALL BEARINGS

Shaft Size mm	Part Number	Bearing Description	Weight kg	Take-Up Frame No. Ref.	A	L
3/4	052626	NSTU-DL-012	1.4	NS210	1-9/32	2-17/32
1-7/16	053493	NSTU-DL-107	2.5	NS308	1-3/4	3-9/32

SETSCREW BALL BEARINGS - METRIC SCM MEDIUM DUTY NARROW SLOT METRIC TAKE-UP BEARINGS

Shaft Size mm	Part Number	Bearing Description	Weight kg	Take-Up Frame No. Ref.	A	L
25	125980	NSTU-SCM-25M	1.2	NS-308	1-25/64	2-11/32
30	125981	NSTU-SCM-30M	1.3	NS-308	1-17/32	2-31/64
40	125982	NSTU-SCM-35M	2.2	NS-400	1-11/16	2-31/32
35	125983	NSTU-SCM-40M	2.3	NS-400	1-23/32	3
45	125984	NSTU-SCM-45M	2.4	NS-400	1-3/4	3-1/32
50	125985	NSTU-SCM-50M	3.2	NS-407	1-27/32	3-7/64
55	125986	NSTU-SCM-55M	4.0	NS-415	1-63/64	3-3/16



SELECTION/DIMENSIONS

Take-up Frames-NS

TAKE-UP BEARINGS FOR NARROW SLOT BALL BEARING TAKE-UP FRAMES

ECCENTRIC COLLAR BALL BEARINGS - INCH

SXV Intermediate Duty Narrow Slot Take-Up Bearings

Shaft Size	Part Number	Bearing Description	Weight lbs.	Take-Up Frame No. Ref.	A	L
3/4	131186	NSTU-SXV-012	1.30	NS-210	1-7/32	2-11/32
7/8 15/16 1	131187 131188 131189	NSTU-SXV-014 NSTU-SXV-015 NSTU-SXV-100	1.73 1.63 1.53	NS-210	1-7/32	2-21/64
1-1/16 1-1/8 1-3/16 1-1/4	131190 131191 131192 131193	NSTU-SXV-101 NSTU-SXV-102 NSTU-SXV-103 NSTU-SXV-104S	2.93 2.83 2.63 2.53	NS-308	1-13/32	2-15/32
1-1/4 1-5/16 1-3/8 1-7/16	131194 131195 131196 131197	NSTU-SXV-104 NSTU-SXV-105 NSTU-SXV-106 NSTU-SXV-107	2.83 2.73 2.63 2.53	NS-308	1-17/32	2-9/16
1-1/2	131198	NSTU-SXV-108	4.73	NS-400	1-23/32	3-5/32
1-11/16 1-3/4	130340 130341	NSTU-SXV-111 NSTU-SXV-112	4.83 4.73	NS-400	1-23/32	3-5/32
1-15/16 2	130342 130343	NSTU-SXV-115 NSTU-SXV-200	4.93 4.83	NS-400	1-23/32	3-5/32
2 2-3/16	130344 130345	NSTU-SXV-200L NSTU-SXV-203	6.83 6.63	NS-407	1-23/32	3-5/16

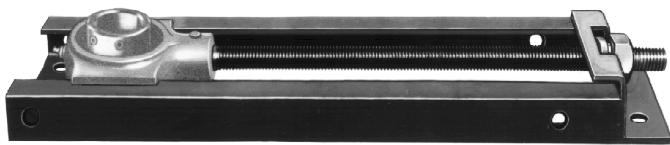
ECCENTRIC COLLAR BALL BEARINGS - INCH

SXR Normal Duty Narrow Slot Take-Up Bearings

Shaft Size	Part Number	Bearing Description	Weight lbs.	Take-Up Frame No. Ref.	A	L
3/4	131154	NSTU-SXR-012	1.5	NS-210	1-23/32	2-35/64
7/8 15/16 1	131156 131157 131158	NSTU-SXR-014 NSTU-SXR-015 NSTU-SXR-100	1.7 1.6 1.5	NS-210	1-3/4	2-37/64
1-1/16 1-1/8 1-3/16	131159 131160 131161	NSTU-SXR-101 NSTU-SXR-102 NSTU-SXR-103	2.9 2.8 2.6	NS-308	1-29/32	2-21/32
1-1/4 1-5/16 1-3/8 1-7/16	131163 131164 131165 131166	NSTU-SXR-104 NSTU-SXR-105 NSTU-SXR-106 NSTU-SXR-107	3.0 2.8 2.7 2.5	NS-308	2-1/64	2-3/4
1-1/2	131167	NSTU-SXR-108	5.0	NS-400	2-7/32	3-11/32
1-5/8 1-11/16 1-3/4	131170 131171 131172	NSTU-SXR-110 NSTU-SXR-111 NSTU-SXR-112	5.4 5.2 5.0	NS-400	2-7/32	3-11/32
1-15/16 2	131175 131177	NSTU-SXR-115 NSTU-SXR-200	5.7 5.3	NS-400	2-15/32	3-15/32
2 2-3/16	@ 131180	NSTU-SXR-200L NSTU-SXR-203	7.4 7.2	NS-407	2-13/16	3-45/64
2-1/4 2-7/16	131182 131185	NSTU-SXR-204 NSTU-SXR-207	10.0 9.0	NS-415	3-1/16	3-29/32

@ Assembled to order.

NARROW SLOT BALL BEARING TAKE-UP FRAMES



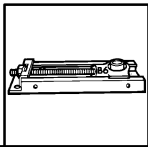
Frame Size Description	Part No.	Wt. (Lbs.)
NS-210X6-TUFR	038109	5.5
NS-308X6-TUFR NS-308X12-TUFR	038110 038111	5.8 8.0
NS-400X6-TUFR NS-400X9-TUFR NS-400X12-TUFR NS-400X18-TUFR	038112 038113 038114 038115	9.2 11.3 12.5 16.3
NS-407X9-TUFR NS-407X18-TUFR	038116 038117	13.1 18.6
NS-415X9-TUFR NS-415X18-TUFR	038118 038119	15.5 19.0

SETSCREW BALL BEARINGS - INCH

VSC Intermediate Duty Narrow Slot Take-Up Bearings

Shaft Size	Part Number	Bearing Description	Weight lbs.	Take-Up Frame No. Ref.	A	L
3/4	125533	NSTU-VSC-012	1.25	NS-210	1-1/16	2-9/64
7/8 15/16 1	125534 125535 125536	NSTU-VSC-014 NSTU-VSC-015 NSTU-VSC-100	1.68 1.58 1.48	NS-210	1-3/32	2-11/64
1-1/8 1-3/16 1-1/4	125537 125538 125540	NSTU-VSC-102 NSTU-VSC-103 NSTU-VSC-104S	2.78 2.58 2.48	NS-308	1-19/64	2-5/16
1-1/4 1-3/8 1-7/16	125539 125541 123680	NSTU-VSC-104 NSTU-VSC-106 NSTU-VSC-107	2.78 2.58 2.48	NS-308	1-7/16	2-7/16
1-1/2	125542	NSTU-VSC-108	4.68	NS-400	1-9/16	2-31/32
1-11/16 1-3/4	125543 125544	NSTU-VSC-111 NSTU-VSC-112	4.78 4.68	NS-400	1-19/32	3
1-15/16 2	125545 125546	NSTU-VSC-115 NSTU-VSC-200	4.88 4.78	NS-400	1-5/8	3-1/32
2 2-3/16	125547 125548	NSTU-VSC-200L NSTU-VSC-203	6.78 6.58	NS-407	1-23/32	3-31/32

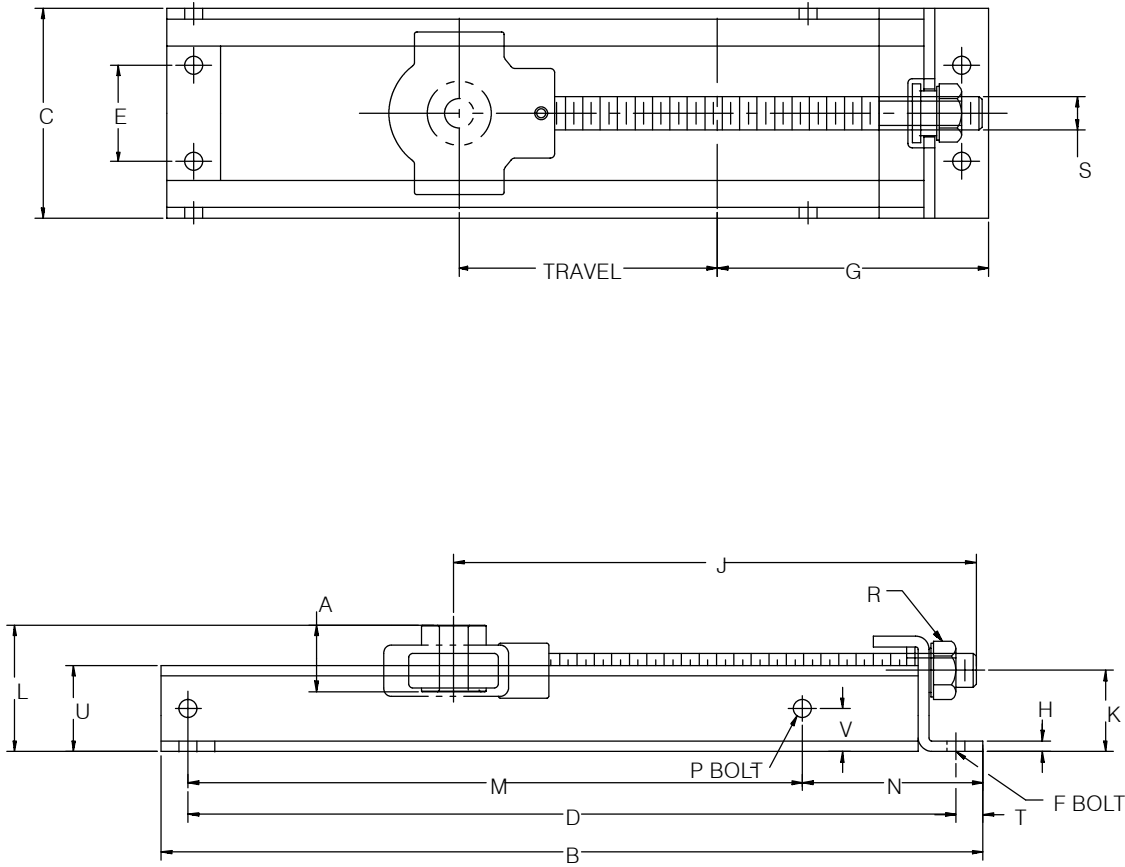
DIMENSIONS SXV NARROW SLOT PAGE B3-62	DIMENSIONS SXR NARROW SLOT PAGE B3-56	DIMENSIONS VSC NARROW SLOT PAGE B2-32	DIMENSIONS NARROW SLOT T.U. FRAME PAGE B13-10
---	---	---	---



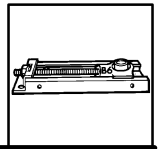
SELECTION/DIMENSIONS

Take-up Frames-NS

NARROW SLOT BALL BEARING TAKE-UP FRAMES



FEATURES/BENEFITS PAGE B13-2	HOW TO ORDER/ NOMENCLATURE PAGE B13-6	SELECTION PAGE B13-8	
---------------------------------	---	-------------------------	--



SELECTION/DIMENSIONS

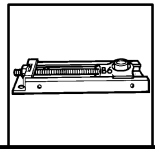
Take-up Frames-NS

NARROW SLOT BALL BEARING TAKE-UP FRAMES

Frame Description	Part No.	Wt. (Lbs.)	A	B	C	D	E	F Base Bolt		G	H
								No.	Dia.		
NS-210x6-TUFR	038109	5.5	See Table On Page B13-8 - B13-9	13-5/8	3-13/16	12-1/8	1-5/8	4	1/2	4-7/8	1/4
NS-308x6-TUFR NS-308x12-TUFR	038110 038111	5.8 8.0		13-5/8 19-5/8	4-11/16	12-1/8 18-1/8	2-1/4	4	1/2	5-3/8	1/4
NS-400x6-TUFR NS-400x9-TUFR NS-400x12-TUFR NS-400x18-TUFR	038112 038113 038114 038115	9.2 11.3 12.5 16.3		14-9/16 18-5/8 20-9/16 27-5/8	6-1/16	13-1/16 17-1/8 19-1/16 26-1/8	2-1/2	4	1/2	6	1/4
NS-407x9-TUFR NS-407x18-TUFR	038116 038117	13.1 18.6		19-1/8 28-1/8	6-1/2	17-3/8 26-3/8	2-3/4	4	5/8	7-1/8	5/16
NS-415x9-TUFR NS-415x18-TUFR	038118 038119	15.5 19.0		19-1/8 28-1/8	7	17-3/8 26-3/8	3	4	5/8	7-3/8	5/16

Frame Description	J	K	L	M	N	P Side Bolt		R Hex	S	T	U	V	Channel
						No.	Dia.						
NS-210x6-TUFR	11-1/32	1-13/32	See Table On Page B13-8 - B13-9	9-5/16	3-9/16	4	1/2	1-5/16	3/4-10	3/4	1-1/2	3/4	1-1/2 x 9/16 x 3/16
NS-308x6-TUFR NS-308x12-TUFR	10-13/16 16-13/16	1-13/32		9-5/16 15-5/16	3-9/16	4	1/2	1-5/16	3/4-10	3/4	1-1/2	3/4	1-1/2 x 9/16 x 3/16
NS-400x6-TUFR NS-400x9-TUFR NS-400x12-TUFR NS-400x18-TUFR	11-1/16 14-1/16 17-1/16 23-1/16	1-7/8		10-1/16 14-1/8 16-1/16 23-1/8	3-3/4	4	5/8	1-1/2	7/8-9	3/4	2	1	2 x 1 x 3/16
NS-407x9-TUFR NS-407x18-TUFR	15-19/32 24-19/32	1-7/8		14-1/8 23-1/8	4-1/4	4	5/8	1-5/8	1-8	1	2	1	2 x 1 x 3/16
NS-415x9-TUFR NS-415x18-TUFR	15-27/32 24-27/32	1-7/8		14-1/8 23-1/8	4-1/4	4	5/8	1-5/8	1-8	1	2	1	2 x 1 x 3/16

FEATURES/BENEFITS PAGE B13-2	HOW TO ORDER/ NOMENCLATURE PAGE B13-6	SELECTION PAGE B13-8	
---------------------------------	---	-------------------------	--



SELECTION/DIMENSIONS

Take-up Frames-WS

WIDE SLOT TAKE-UP BEARINGS FOR BALL BEARING WIDE SLOT TAKE-UP FRAMES

SETSCREW BALL BEARINGS - INCH SC Normal Duty Wide Slot Take-Up Bearings

Shaft Size	Part Number	Bearing Description	Weight lbs.	Take-Up Frame No. Ref.	A	L
1/2	125343	WSTU-SC-008	2.1	WS-300	1-5/32	1-51/64
5/8	125344	WSTU-SC-010	2.0			
3/4	125010	WSTU-SC-012	1.9			
7/8	125356	WSTU-SC-014	2.2	WS-300	1-3/16	1-53/64
15/16	125011	WSTU-SC-015	2.1			
1	125012	WSTU-SC-100	2.0			
1-1/16	125357	WSTU-SC-101	3.1	WS-308	1-25/64	2-5/32
1-1/8	125358	WSTU-SC-102	3.0			
1-3/16	125113	WSTU-SC-103	2.9			
1-1/4	123175	WSTU-SC-104S	2.8			
1-1/4	125360	WSTU-SC-104	3.8	WS-308	1-17/32	2-9/32
1-5/16	125359	WSTU-SC-105	3.7			
1-3/8	125361	WSTU-SC-106	3.6			
1-7/16	125114	WSTU-SC-107	3.5			
1-1/2	125120	WSTU-SC-108	6.1	WS-400	1-11/16	2-17/32
1-5/8	125355	WSTU-SC-110	6.0			
1-5/8	@	WSTU-SC-110L	6.1	WS-400	1-23/32	2-9/16
1-11/16	125115	WSTU-SC-111	6.0			
1-3/4	125362	WSTU-SC-112	5.9			
1-15/16	125116	WSTU-SC-115	6.4	WS-400	1-3/4	2-19/32
2	125363	WSTU-SC-200	6.2			
2	135183	WSTU-SCM-200	10.1	WS-502	1-27/32	2-23/32
2-3/16	125117	WSTU-SC-203	10.0			
2-1/4	125364	WSTU-SC-204	9.8			
2-1/4	135184	WSTU-SCM-204	11.2	WS-502	1-63/64	2-13/16
2-7/16	125118	WSTU-SC-207	10.8			
2-15/16	125119	WSTU-SC-215	18.9	WS-515	2-9/32	3-15/32

@ Assembled to order.

SETSCREW BALL BEARINGS - INCH SCM Medium Duty Wide Slot Take-Up Bearings

Shaft Size	Part Number	Bearing Description	Weight lbs.	Take-Up Frame No. Ref.	A	L
1	135117	WSTU-SCM-100	2.9	WS-308	1-25/64	2-5/32
1-3/16	135118	WSTU-SCM-103	3.9	WS-308	1-17/32	2-9/32
1-1/4	125360	WSTU-SC-104	3.8			
1-7/16	135116	WSTU-SCM-107	6.1	WS-400	1-11/16	2-17/32
1-1/2	135120	WSTU-SCM-108	6.0	WS-400	1-23/32	2-9/16
1-11/16	135121	WSTU-SCM-111	6.5	WS-400	1-3/4	2-19/32
1-3/4	135182	WSTU-SCM-112	6.4			
1-15/16	135123	WSTU-SCM-115	10.0	WS-502	1-27/32	2-23/32
2	135183	WSTU-SCM-200	9.8			
2-3/16	135125	WSTU-SCM-203	11.4	WS-502	1-63/64	2-13/16
2-1/4	135184	WSTU-SCM-204	11.2			
2-7/16	135127	WSTU-SCM-207	18.2	WS-515	1-63/64	3-7/16
2-1/2	135185	WSTU-SCM-208	18.0			
2-11/16	135129	WSTU-SCM-211	19.0	WS-515	2-9/32	3-9/16
2-15/16	135130	WSTU-SCM-215	21.7	WS-608	2-11/32	3-1/2
3	135181	WSTU-SCM-300	21.5			

SETSCREW BALL BEARINGS - METRIC SC Normal Duty Wide Slot Metric Take-Up Bearings

Shaft Size, mm	Part Number	Bearing Description	Weight kg	Take-Up Frame No. Ref.	A	L
20	125910	WSTU-SC-20M	0.9	WS-300	1-5/32	1-51/64
25	125911	WSTU-SC-25M	1.0	WS-300	1-3/16	1-53/64
30	125912	WSTU-SC-30M	1.3	WS-308	1-25/64	2-5/32
35	125913	WSTU-SC-35M	1.6	WS-308	1-17/32	2-9/32
40	125914	WSTU-SC-40M	2.8	WS-400	1-11/16	2-17/32
45	125915	WSTU-SC-45M	2.7	WS-400	1-23/32	2-9/16
50	125916	WSTU-SC-50M	2.9	WS-400	1-3/4	2-19/32
55	125917	WSTU-SC-55M	4.5	WS-502	1-27/32	2-23/32
60	125918	WSTU-SC-60M	4.9	WS-502	1-63/64	2-13/16
75	125919	WSTU-SC-75M	8.6	WS-515	2-9/32	3-15/32

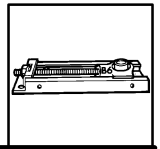
D-LOK BALL BEARINGS DL Normal Duty Wide Slot Take-Up Bearings

Shaft Size	Part Number	Bearing Description	Weight kg	Take-Up Frame No. Ref.	A	L
1-7/16	053517	WSTU-DL-107	3.5	WS308	1-3/4	3-11/32
1-1/2	052546	WSTU-DL-108	6.1	WS400	2	3-17/32
1-15/16	052722	SWTU-DL-115	6.4	WS400	2-3/32	3-63/64

SETSCREW BALL BEARINGS - METRIC SCM Medium Duty Wide Slot Metric Take-Up Bearings

Shaft Size, mm	Part Number	Bearing Description	Weight kg	Take-Up Frame No. Ref.	A	L
25	125989	WSTU-SCM-25M	1.4	WS-308	1-25/64	2-5/32
30	125990	WSTU-SCM-30M	1.7	WS-308	1-17/32	2-9/32
35	125991	WSTU-SCM-35M	2.9	WS-400	1-11/16	2-17/32
40	125992	WSTU-SCM-40M	2.8	WS-400	1-23/32	2-9/16
45	125993	WSTU-SCM-45M	3.0	WS-400	1-3/4	2-19/32
50	125994	WSTU-SCM-50M	4.7	WS-502	1-27/32	2-23/32
55	125995	WSTU-SCM-55M	5.1	WS-502	1-63/64	2-13/16
65	125996	WSTU-SCM-65M	8.1	WS-515	1-63/64	3-7/16
70	125997	WSTU-SCM-70M	8.9	WS-515	2-9/32	3-9/16
75	125998	WSTU-SCM-75M	9.5	WS-608	2-11/32	3-1/2

FEATURES/BENEFITS PAGE B13-2	HOW TO ORDER/ NOMENCLATURE PAGE B13-6	SELECTION PAGE B13-8	
---------------------------------	---	-------------------------	--



SELECTION/DIMENSIONS

Take-up Frames-WS

WIDE SLOT TAKE-UP BEARINGS FOR BALL BEARING WIDE SLOT TAKE-UP FRAMES

ECCENTRIC COLLAR BALL BEARINGS - INCH

SVX Intermediate Duty Wide Slot Take-Up Bearings

Shaft Size	Part Number	Bearing Description	Weight lbs.	Take-Up Frame No. Ref.	A	L
3/4	131238	WSTU-SXV-012	1.30	WS-300	1-7/32	1-63/64
7/8 15/16 1	131239 131240 131241	WSTU-SXV-014 WSTU-SXV-015 WSTU-SXV-100	1.73 1.63 1.53	WS-300	1-7/32	1-63/64
1-1/8 1-3/16 1-1/4	131243 131244 131245	WSTU-SXV-102 WSTU-SXV-103 WSTU-SXV-104S	2.83 2.63 2.53	WS-308	1-13/32	2-19/64
1-1/4 1-3/8 1-7/16	131246 131248 131249	WSTU-SXV-104 WSTU-SXV-106 WSTU-SXV-107	2.83 2.63 2.53	WS-308	1-17/32	2-13/32
1-1/2	131250	WSTU-SXV-108	4.73	WS-400	1-23/32	2-17/32
1-11/16 1-3/4	130346 130347	WSTU-SXV-111 WSTU-SXV-112	4.83 4.73	WS-400	1-23/32	2-23/32
1-15/16 2	130348 130349	WSTU-SXV-115 WSTU-SXV-200	4.93 4.83	WS-400	1-23/32	2-23/32
2 2-3/16	130350 130351	WSTU-SXV-200L WSTU-SXV-203	6.83 6.63	WS-502	1-29/32	2-15/16

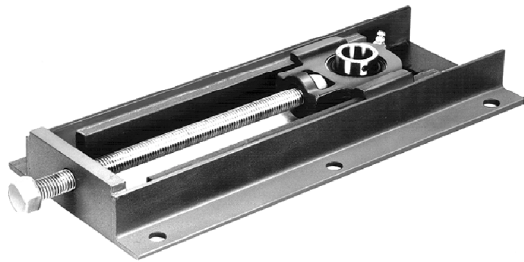
ECCENTRIC COLLAR BALL BEARINGS - INCH

SXR Normal Duty Wide Slot Take-Up Bearings

Shaft Size	Part Number	Bearing Description	Weight lbs.	Take-Up Frame No. Ref.	A	L
3/4	131204	WSTU-SXR-012	2.1	WS-300	1-23/32	2-1/8
7/8 15/16 1	131206 131207 131208	WSTU-SXR-014 WSTU-SXR-015 WSTU-SXR-100	2.3 2.2 2.1	WS-300	1-3/4	2-9/64
1-1/16 1-1/8 1-3/16	131209 131210 131211	WSTU-SXR-101 WSTU-SXR-102 WSTU-SXR-103	3.1 2.9 2.8	WS-308	1-29/32	2-7/16
1-1/4 1-5/16 1-3/8 1-7/16	131213 131214 131215 131216	WSTU-SXR-104 WSTU-SXR-105 WSTU-SXR-106 WSTU-SXR-107	3.8 3.7 3.6 3.5	WS-308	2-1/64	2-35/64
1-1/2	131217	WSTU-SXR-108	6.2	WS-400	2-7/32	2-13/64
1-5/8 1-11/16 1-3/4	131220 131221 131222	WSTU-SXR-110 WSTU-SXR-111 WSTU-SXR-112	6.5 6.4 6.3	WS-400	2-7/32	2-13/16
1-15/16 2	131225 131227	WSTU-SXR-115 WSTU-SXR-200	6.9 6.8	WS-400	2-15/32	2-13/16
2 2-3/16	@ 131230	WSTU-SXR-200L WSTU-SXR-203	10.3 10.0	WS-502	2-13/16	3-47/64
2-1/4 2-7/16	131232 131235	WSTU-SXR-204 WSTU-SXR-207	13.0 12.8	WS-502	3-1/16	3-11/32
2-15/16	@	WSTU-SXR-215	21.0	WS-502	3-5/8	3-21/32

@ Assembled to order.

WIDE SLOT TAKE-UP FRAME



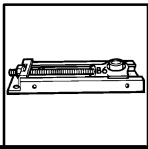
Frame Description	Part No.	Wt.	Frame Description	Part No.	Wt.
WS-300X1.5-TUFR	038200	4.8	WS-502X6-TUFR	038215	20
WS-300X3-TUFR	038201	5.5	WS-502X9-TUFR	038216	23.5
WS-300X6-TUFR	038202	7	WS-502X12-TUFR	038217	27
WS-300X9-TUFR	038203	8.5	WS-502X15-TUFR	038218	30.5
WS-300X12-TUFR	038204	10	WS-502X18-TUFR	038219	34
WS-308X3-TUFR	038205	7.8	WS-502X24-TUFR	038220	41
WS-308X6-TUFR	038206	9	WS-515X9-TUFR	038221	36
WS-308X9-TUFR	038207	10.5	WS-515X12-TUFR	038222	41
WS-308X12-TUFR	038208	12	WS-515X18-TUFR	038223	51
WS-308X18-TUFR	038209	15	WS-515X24-TUFR	038224	61
WS-400X3-TUFR	038210	11.5	WS-515X30-TUFR	038225	71
WS-400X6-TUFR	038211	14	WS-608X12-TUFR	038226	41
WS-400X9-TUFR	038212	16.5	WS-608X18-TUFR	038227	51
WS-400X12-TUFR	038213	19	WS-608X24-TUFR	038228	61
WS-400X18-TUFR	038214	24	WS-608X30-TUFR	038229	71

SETSCREW BALL BEARINGS - INCH

VSC Intermediate Duty Wide Slot Take-Up Bearings

Shaft Size	Part Number	Bearing Description	Weight lbs.	Take-Up Frame No. Ref.	A	L
3/4	125549	WSTU-VSC-012	1.88	WS-300	1-1/16	1-51/64
7/8 15/16 1	125550 125551 125552	WSTU-VSC-014 WSTU-VSC-015 WSTU-VSC-100	2.18 2.08 1.98	WS-300	1-3/32	1-53/64
1-1/8 1-3/16 1-1/4	125553 125554 125556	WSTU-VSC-102 WSTU-VSC-103 WSTU-VSC-104S	2.98 2.88 2.78	WS-308	1-19/64	2-5/32
1-1/4 1-3/8 1-7/16	125555 125557 125558	WSTU-VSC-104 WSTU-VSC-106 WSTU-VSC-107	3.78 3.58 3.48	WS-308	1-7/16	2-9/32
1-1/2	125559	WSTU-VSC-108	6.08	WS-400	1-9/16	2-17/32
1-11/16 1-3/4	125560 125561	WSTU-VSC-111 WSTU-VSC-112	5.98 5.88	WS-400	1-19/32	2-9/16
1-15/16 2	125562 125563	WSTU-VSC-115 WSTU-VSC-200	6.38 6.18	WS-400	1-5/8	2-19/32
2 2-3/16	125564 125565	WSTU-VSC-200L WSTU-VSC-203	10.08 9.98	WS-502	1-23/32	2-23/32

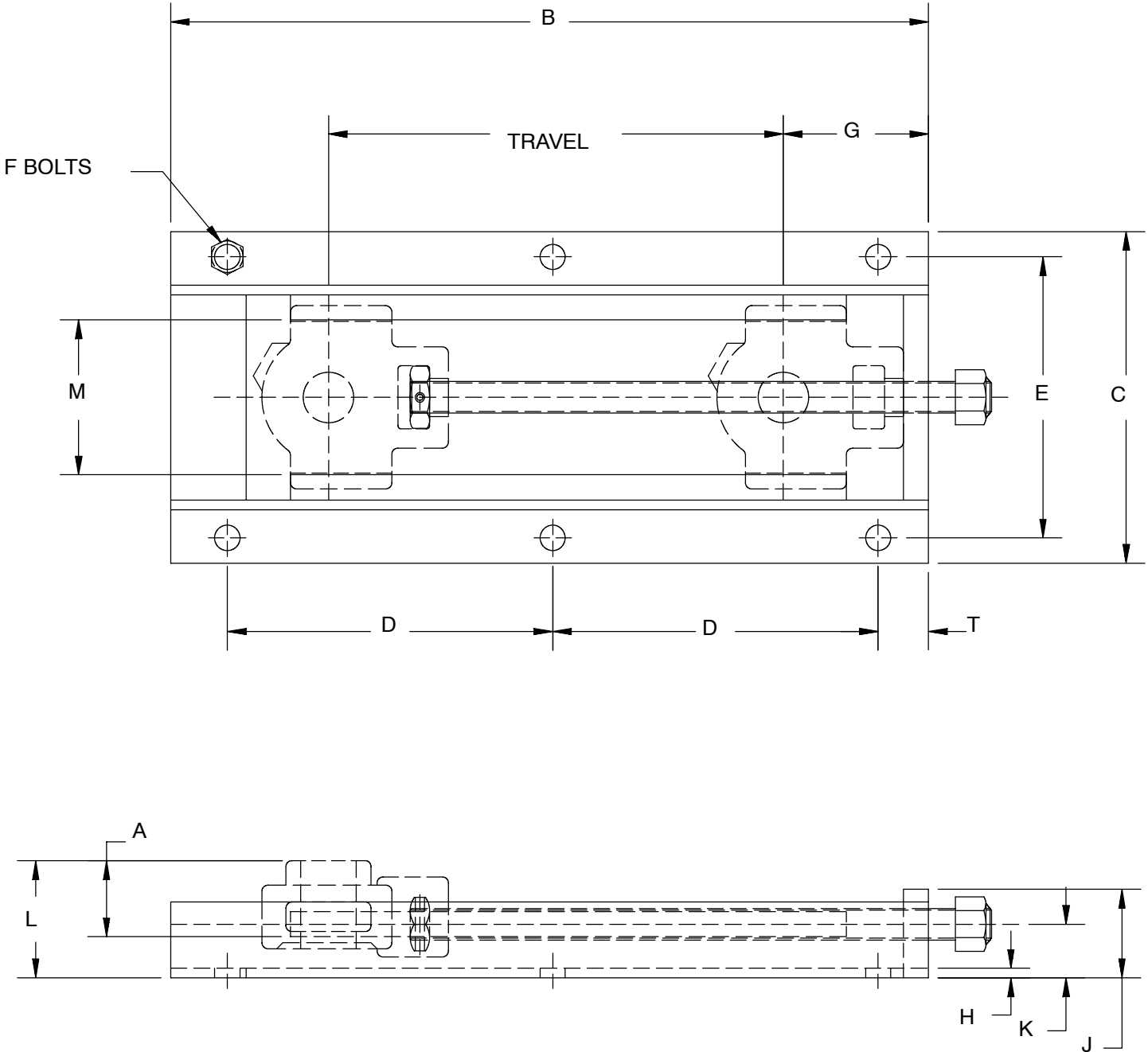
FEATURES/BENEFITS PAGE B13-2	HOW TO ORDER/ NOMENCLATURE PAGE B13-6	SELECTION PAGE B13-8	
---------------------------------	---	-------------------------	--



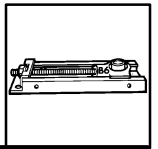
SELECTION/DIMENSIONS

Take-Up Frames-WS

WIDE SLOT BALL BEARING TAKE-UP FRAMES



FEATURES/BENEFITS PAGE B13-2	HOW TO ORDER/ NOMENCLATURE PAGE B13-6	SELECTION PAGE B13-8	
---------------------------------	---	-------------------------	--



SELECTION/DIMENSIONS

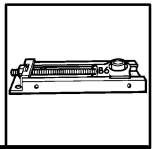
Take-Up Frames-WS

WIDE SLOT BALL BEARING TAKE-UP FRAMES

Frame Description	Part No.	Wt.	A & L	B	C	D	E	F		G	H	J	K	M	S	T	
								No.	Dia.								
WS-300X1-1/2-TUFR	038200	4.8	See Table on Page NO TAG - NO TAG	7-1/2		5-3/8		4									
WS-300X3-TUFR	038201	5.5		9		6-7/8		4									
WS-300X6-TUFR	038202	7		12	6-9/16	4-15/16	5-9/16	6	7/16	2-15/16	3/16	1-3/4	1-1/16	3-1/16	5/8	1	
WS-300X9-TUFR	038203	8.5		15		6-7/16		6									
WS-300X12-TUFR	038204	10		18		7-15/16		6									
WS-308X3-TUFR	038205	7.5		9-1/8		6-7/16		4									
WS-308X6-TUFR	038206	9		12-1/8		9-7/16		4									
WS-308X9-TUFR	038207	10.5		15-1/8	7-1/16	6-7/32	6-1/16	6	7/16	3-11/16	3/16	2	1-1/4	3-9/16	3/4	1	
WS-308X12-TUFR	038208	12		18-1/8		7-23/32		6									
WS-308X18-TUFR	038209	15		24-1/8		10-23/32		6									
WS-400X3-TUFR	038210	11.5		10-3/4		8-1/2		4									
WS-400X6-TUFR	038211	14		13-3/4		11-1/2		4									
WS-400X9-TUFR	038212	16.5		16-3/4	8-13/16	7-1/4	7-5/16	6	1/2	4-5/16	3/16	2-1/4	1-7/16	4-1/16	1	1-1/8	
WS-400X12-TUFR	038213	19		19-3/4		8-3/4		6									
WS-400X18-TUFR	038214	24		25-3/4		11-3/4		6									
WS-502X6-TUFR	038215	20		14-3/4		12-1/2		4									
WS-502X9-TUFR	038216	23.5	17-3/4		15-1/2		4										
WS-502X12-TUFR	038217	27	20-3/4	10-7/16	9-1/4	8-5/8	6	9/16	5-11/16	3/16	2-1/2	1-1/2	5-3/16	1-1/4	1-1/8		
WS-502X15-TUFR	038218	30.5	23-3/4		10-3/4		6										
WS-502X18-TUFR	038219	34	26-3/4		12-1/4		6										
WS-502X24-TUFR	038220	41	32-3/4		15-1/4		6										
WS-515X9-TUFR	038221	36	20-7/8		17-1/2		4										
WS-515X12-TUFR	038222	41	23-7/8		10-1/4		6										
WS-515X18-TUFR	038223	51	29-7/8	12	13-1/4	10-1/4	6	5/8	6-1/2	1/4	3	2	6	1-1/2	2-1/2		
WS-515X24-TUFR	038224	61	35-7/8		16-1/4		6										
WS-515X30-TUFR	038225	71	41-7/8		19-1/4		6										
WS-608X12-TUFR	038226	41	23-7/8		10-1/4		6										
WS-608X18-TUFR	038227	51	29-7/8	12-9/16	13-1/4	10-13/16	6	5/8	6-1/2	1/4	3	2	6-9/16	1-1/2	2-1/2		
WS-608X24-TUFR	038228	61	35-7/8		16-1/4		6										
WS-608X30-TUFR	038229	71	41-7/8		19-1/4		6										

FEATURES/BENEFITS PAGE B13-2	HOW TO ORDER/ NOMENCLATURE PAGE B13-6		
---------------------------------	---	--	--

SELECTION/DIMENSIONS



Take-Up Frames-TP

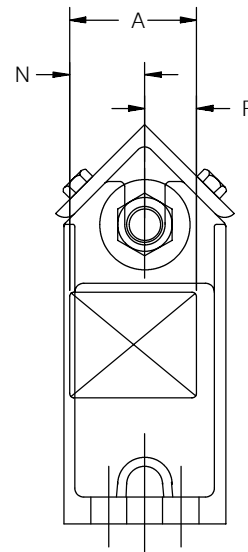
TAKE-UP BALL BEARINGS FOR TOP ANGLE TAKE-UP FRAMES

SC BALL BEARINGS TYPE G TAKE-UP BEARINGS

Shaft Size	Part No.	Wt.	A	N	R	Frame-size Ref.
1-15/16 2	012340 012302	10.2 10.0	1-21/32	1-5/32	1/2	TP10 TP10
2-3/16 2-1/4	012341 012303	12.4 12.0	1-55/64	1-7/32	31/64	TP20 TP20
2-7/16	012342	15.9	1-63/64	1-5/16	19/32	TP30
2-15/16	012343	21.2	2-9/64	1-15/32	43/64	TP40

SCM BALL BEARING TYPE GM TAKE-UP BEARINGS

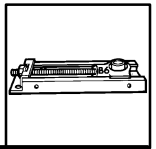
Shaft Size	Part No.	Wt.	A	N	R	Frame-size Ref.
1-11/16 1-3/4	136070 136080	10.4 10.0	1-3/4	1-5/32	19/32	TP10 TP10
1-15/16 2	136071 136081	12.8 12.5	1-27/32	1-7/32	5/8	TP20 TP20
2-3/16 2-1/4	136072 136082	16.2 16.0	1-63/64	1-5/16	43/64	TP30 TP30
2-7/16 2-1/2	136073 136083	21.7 21.3	2-15/64	1-7/16	51/64	TP40 TP40
2-11/16	136076	25.0	2-9/32	1-15/32	13/16	TP40
2-15/16 3	136074 136084	29.8 29.5	2-11/32	1-1/2	27/32	TP50 TP50
3-7/16 3-1/2	136075 136085	40.2 40.0	2-31/64	1-9/16	59/64	TP60 TP60



SXR BALL BEARING TYPE GXR TAKE-UP BEARINGS

Shaft Size	Part No.	Wt.	A	N	R	Framesize Ref.
1-15/16 2	131536 131537	10.2 10.0	2-15/32	1-1/2	3-1/32	TP10 TP10
2-3/16	131540	13.0	2-13/16	1-23/32	1-3/32	TP20
2-1/4 2-7/16	131542 131545	16.4 16.0	2-13/16 3-1/16	1-3/32 1-7/32	1-3/32 1-7/32	TP30 TP30

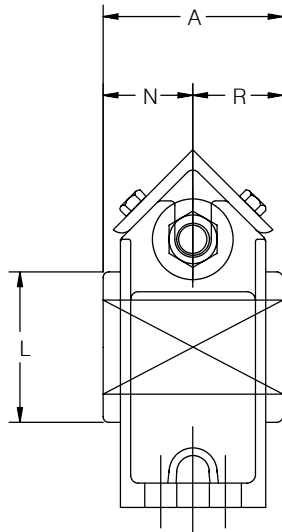
DIMENSIONS TYPE G BALL BRG. PAGE B2-104	DIMENSIONS TYPE GM BALL BRG. PAGE B2-102	DIMENSIONS TYPE GXR BALL BRG. PAGE B3-66	DIMENSIONS TOP ANGLE T.U. FRAME PAGE B13-20
---	--	--	---



SELECTION/DIMENSIONS

Take-Up Frames-TP

TAKE-UP SLEEVE BEARINGS FOR TOP ANGLE TAKE-UP FRAMES



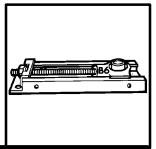
TYPE GLT SOLIDLUBE TAKE-UP BEARING

Shaft Size	Part Number	LT 700 Bearing Description	Part Number	LT 1000 Bearing Description	Wt.	A	Framesize Ref.
1-15/16 2	033739 033740	TP-GLT7-115 TP-GLT7-200	033750 033751	TP-GLT10-115 TP-GLT10-200	10.1	1-5/8	TP10
2-3/16	033741	TP-GLT7-203	033752	TP-GUT10-203	11.8	1-3/4	TP20
2-7/16 2-1/2	033742 033743	TP-GLT7-207 TP-GLT7-208	033753 033754	TP-GLT10-207 TP-GLT10-208	14.1	1-13/16	TP30
2-15/16 3	033744 033745	TP-GLT7-215 TP-GLT7-300	033755 033756	TP-GLT10-215 TP-GLT10-300	17.0	2-23/32	TP40

TYPE H BABBITTED TAKE-UP BEARING

Shaft Size	Part Number	Bearing Description	Wt.	A	L	N and R	Grease CUP		Framesize Ref.
							Pipe Tap	Size	
1-15/16	012215	TP-H-115	12.5	4	3-1/4	2	1/4	0	TP10
2-3/16	012216	TP-H-203	12.6	4-1/2	3-1/2	2-1/4	3/8	2	TP10
2-7/16	012217	TP-H-207	22.4	5	3-3/4	2-1/2	3/8	2	TP30
2-15/16	012218	TP-H-215	23.6	6	4-1/2	3	3/8	2	TP30
3-7/16	012219	TP-H-307	46.0	7	5	3-1/2	3/8	2	TP50
3-15/16	012220	TP-H-315	47.2	8	5-3/4	4	3/8	2	TP50

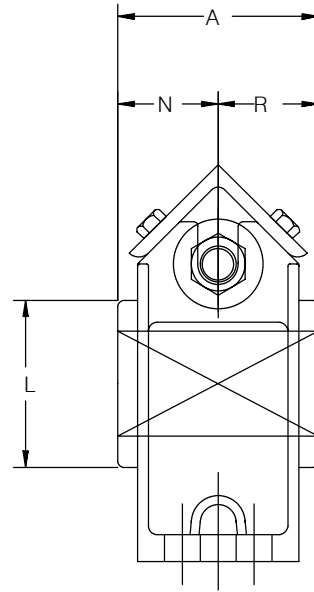
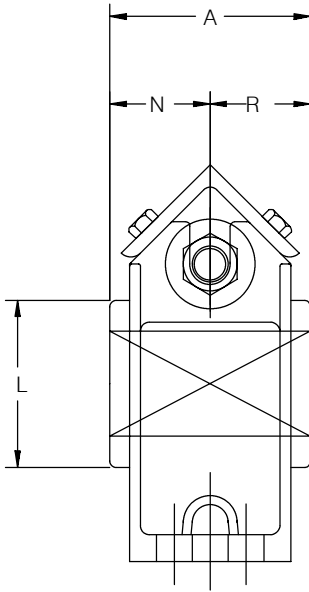
DIMENSIONS GLT SOLIDLUBE T.U. BRG. PAGE B11-6	DIMENSIONS TYPE H BABBITTED T.U. BRG. PAGE B11-10	DIMENSIONS TOP ANGLE T.U. FRAME PAGE B13-20	
---	---	---	--



SELECTION/DIMENSIONS

Take-Up Frames-TP

TAKE-UP TAPER ROLLER BEARINGS FOR TOP ANGLE TAKE-UP FRAMES



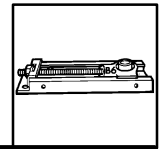
TYPE E TAKE-UP BEARINGS

Shaft Size	Part No.	Wt.	A	L	N&R	Frame-size
1-3/4	023149	15.3	3-1/2	3-1/16	1-3/4	TP10
1-7/8	023150	15.1				TP10
1-15/16	023151	15.0				TP10
2	023152	14.9				TP10
2-3/16	023153	16.5	3-3/4	3-3/4	1-7/8	TP20
2-1/4	023154	26.0	4	4-1/16	2	TP30
2-7/16	023155	25.0				TP30
2-1/2	023156	24.8				TP30
2-11/16	023157	29.2	4-1/2	4-23/32	2-1/4	TP40
2-3/4	023158	29.0				TP40
2-15/16	023159	28.5				TP40
3	023160	28.3				TP40
3-3/16	023161	44.3	5	5-7/16	2-1/2	TP50
3-1/4	023162	44.0				TP50
3-7/16	023163	43.2				TP50
3-1/2	023164	42.9				TP50
3-15/16	023165	63.0	6-1/4	5-15/16	3-1/8	TP60
4	023166	62.5				TP60

TYPE K TAKE-UP BEARINGS

Shaft Size	Part No.	Wt.	A	L	N	R	Frame-size Ref.
1-3/4	023313	14.0	3-1/32	3-7/16	1-3/4	1-7/32	TP10
1-15/16	023314	13.4					TP10
2	023315	13.3					TP10
2-3/16	023316	16.6	3-5/32	3-3/4	1-7/8	1-1/4	TP20
2-1/4	023317	21.0	3-1/2	4-1/16	2	1-5/16	TP30
2-7/16	023318	20.1					TP30
2-1/2	023319	20.3					TP30
2-11/16	023320	26.7	3-3/4	4-23/32	2-1/4	1-7/16	TP40
2-3/4	023321	26.5					TP40
2-15/16	023322	25.9					TP40
3	023323	25.7					TP40
3-3/16	023324	40.5	4-9/32	5-7/16	2-13/32	1-25/32	TP50
3-7/16	023325	39.6					TP50
3-1/2	023326	39.3					TP50
3-15/16	023327	58.4	5-1/2	5-15/16	3-1/8	2-1/8	TP60

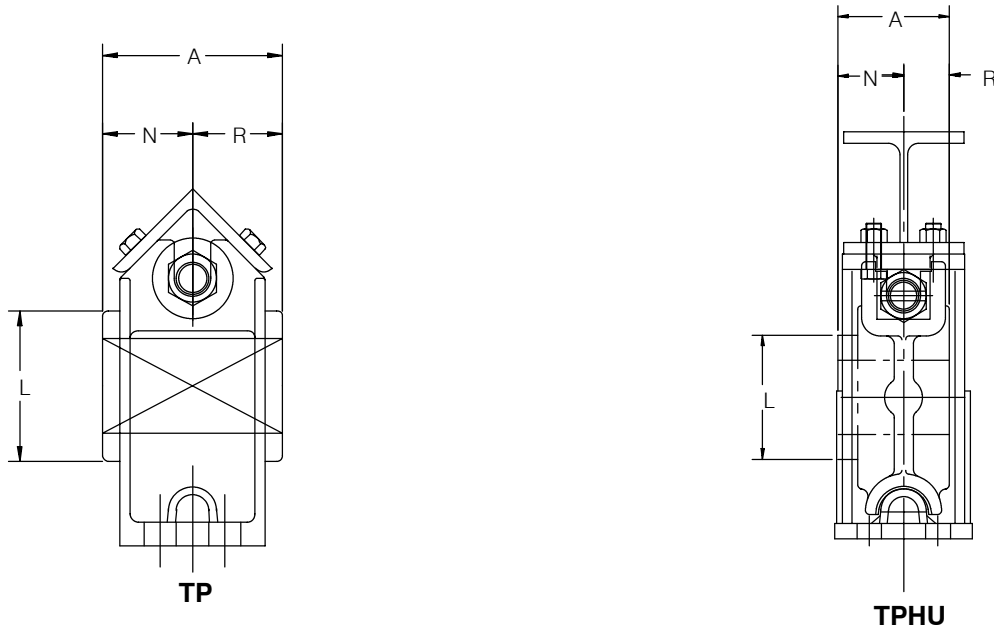
DIMENSIONS TYPE E T.U. BRG. PAGE B5-22	DIMENSIONS TYPE K T.U. BRG. PAGE B5-34	DIMENSIONS TOP ANGLE T.U. FRAME PAGE B13-20	
--	--	---	--



SELECTION/DIMENSIONS

Take-Up Frames-TP & TPHU

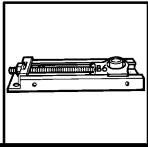
TAKE-UP SPHERICAL ROLLER BEARINGS FOR TP & TPHU TAKE-UP FRAMES



TPHU S-2000 TAKE-UP BEARINGS

Shaft Size	Bearing Part Number				Wt.	A	L	N		R		Frame No. Ref.	
	S2000R (S2R Seals)		S2000S (S2S Seals)					Non-Exp.	Exp.	Non-Exp.	Exp.		
	Non-Exp.	Exp.	Non-Exp.	Exp.									
1-7/8	044992	045016	045282	045298	17.1							TP10	TPHU110
1-15/16	044993	045017	045283	045299	17.0	3-7/32	3-7/16	1-25/32	1-29/32	1-13/32	1-9/32	TP10	TPHU110
2	044994	045018	045284	045300	16.8							TP10	TPHU110
2-3/16	044995	045019	045285	045301	21.4	3-7/16	3-3/4	1-15/16	2-1/16	1-7/16	1-5/16	TP30	TPHU120
2-1/4	044996	045020	045286	045302	21.2							TP30	TPHU120
2-3/8	044997	045021	045287	045303	20.9							TP40	TPHU130
2-7/16	044998	045022	045288	045304	20.7	3-11/16	4-1/16	2-1/16	2-3/16	1-9/16	1-7/16	TP40	TPHU130
2-1/2	045000	045023	045289	045305	20.5							TP40	TPHU130
2-11/16	045001	045024	045290	045306	27.0							TP40	TPHU140
2-3/4	045002	045025	045291	045307	26.8	4-1/16	4-23/32	2-5/16	2-7/16	1-13/16	1-11/16	TP40	TPHU140
2-15/16	045003	045026	045292	045308	26.2							TP40	TPHU140
3	045004	045027	045293	045309	26.0							TP40	TPHU140
3-3/16	045005	045028	045294	045310	40.9							TP50	TPHU150
3-1/4	045006	045029	045295	045311	40.4	4-15/16	5-17/32	2-17/32	2-21/32	1-31/32	1-27/32	TP50	TPHU150
3-7/16	045007	045030	045296	045312	40.0							TP50	TPHU150
3-1/2	045008	045031	045297	045313	39.7							TP50	TPHU150
3-11/16	045009	045032	043369	045314	60.9							TP60	TPHU160
3-15/16	045010	045033	044427	045315	59.8	5-1/8	6-7/16	3-1/16	3-1/16	2-1/8	2-1/8	TP60	TPHU160
4	045011	045034	043371	045316	58.4							TP60	TPHU160

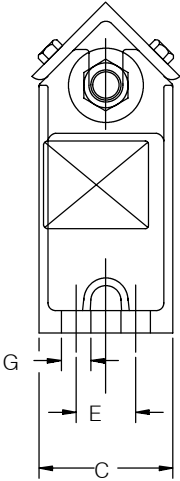
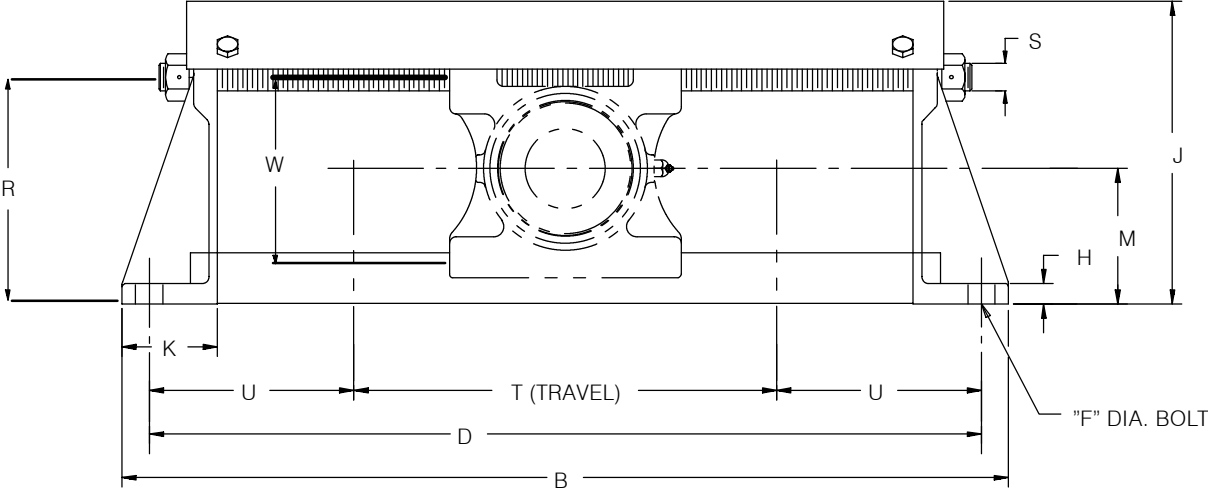
DIMENSIONS S2000 T.U. BRG. PAGE B7-18	DIMENSIONS TOP ANGLE T.U. FRAME PAGE B13-20	DIMENSIONS TPHU T.U. FRAME PAGE B13-20	
---	---	--	--



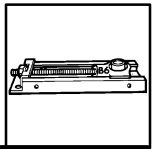
SELECTION/DIMENSIONS

Take-Up Frames-TP

TOP ANGLE PROTECTED SCREW TAKE-UP FRAMES



FEATURES/BENEFITS PAGE B13-2	HOW TO ORDER/ NOMENCLATURE PAGE B13-6	SELECTION PAGE B13-16	
---------------------------------	---	--------------------------	--



SELECTION/DIMENSIONS

Take-Up Frames-TP

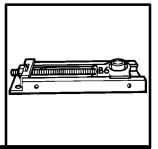
TOP ANGLE PROTECTED SCREW TAKE-UP FRAMES

Frame-size	Nom. Travel	Part No.	Wt.	B	C	D	E	F Bolt Dia.	G	H	J
TP10	12	036350	32	28-1/2	3-1/2	26-1/2	-	5/8	1	3/4	8-1/2
	18	036351	36	34-1/2	3-1/2	32-1/2	-	5/8	1	3/4	8-1/2
	24	036352	41	40-1/2	3-1/2	38-1/2	-	5/8	1	3/4	8-1/2
TP20	12	036353	34	29-1/2	3-1/2	27-1/2	-	5/8	1	3/4	9-1/8
	18	036354	39	35-1/2	3-1/2	33-1/2	-	5/8	1	3/4	9-1/8
	24	036355	43	41-1/2	3-1/2	39-1/2	-	5/8	1	3/4	9-1/8
TP30	12	036356	47	30-1/2	4	28-1/2	-	3/4	1-5/16	3/4	10-1/8
	18	036357	54	36-1/2	4	34-1/2	-	3/4	1-5/16	3/4	10-1/8
	24	036358	60	42-1/2	4	40-1/2	-	3/4	1-5/16	3/4	10-1/8
TP40	12	036359	52	32-1/2	4-1/2	30-1/2	2	5/8	1	3/4	11-1/16
	18	036360	60	38-1/2	4-1/2	36-1/2	2	5/8	1	3/4	11-1/16
	24	036361	66	44-1/2	4-1/2	42-1/2	2	5/8	1	3/4	11-1/16
TP50	12	036362	63	34-1/2	4-1/2	32	2	3/4	1	3/4	12-1/2
	18	036363	70	40-1/2	4-1/2	38	2	3/4	1	3/4	12-1/2
	24	036364	79	46-1/2	4-1/2	44	2	3/4	1	3/4	12-1/2
TP60	12	036365	84	38-1/2	5-1/2	36	2-1/2	3/4	1	3/4	14-1/4
	18	036366	92	44-1/2	5-1/2	42	2-1/2	3/4	1	3/4	14-1/4
	24	036367	102	50-1/2	5-1/2	48	2-1/2	3/4	1	3/4	14-1/4

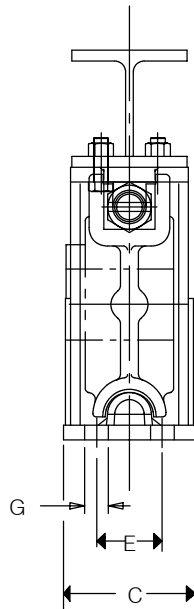
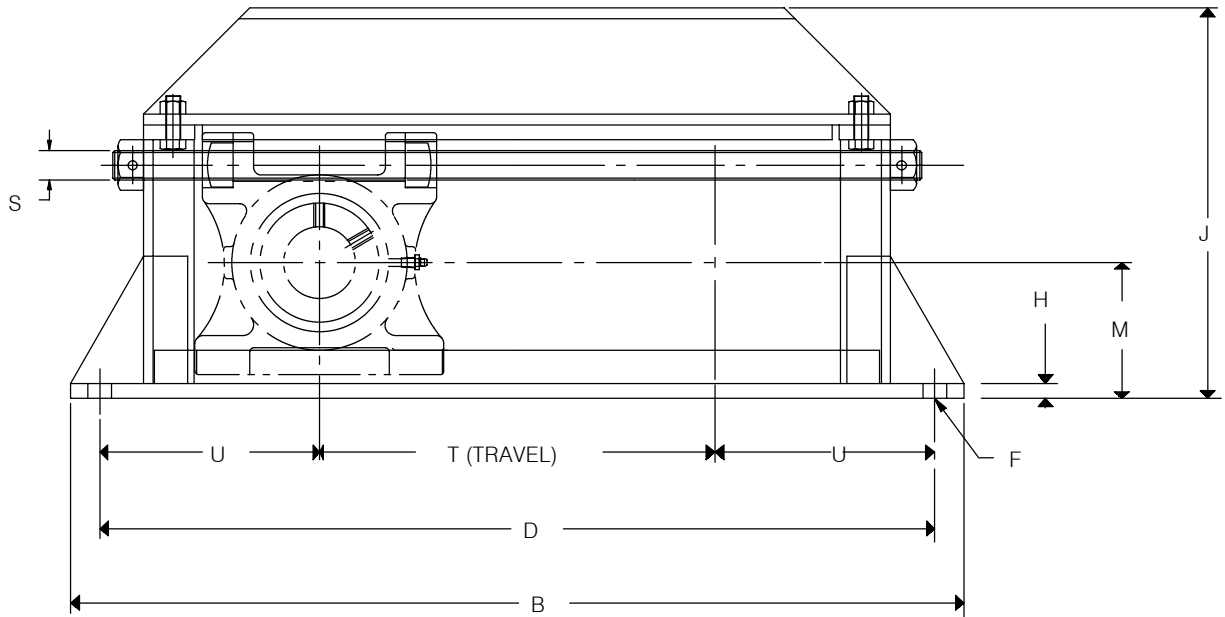
Frame-size	Nom. Travel	Part No.	K	M	R	S Scr. Dia.	T	U	W	Top Angle Take-Up Made To Order		
										Part No.	Description	Wt.
TP10	12	036350	3	3-15/16	6-11/32	3/4	14-1/2	6	5-5/32	036400	TP-10X30-TUFR	47
	18	036351	3	3-15/16	6-11/32	3/4	20-1/2	6	5-5/32	036348	TP-10X36-TUFR	52
	24	036352	3	3-15/16	6-11/32	3/4	26-1/2	6	5-5/32	036401	TP-10X48-TUFR	62
TP20	12	036353	3	4-3/16	6-31/32	3/4	15	6-1/4	5-25/32	036349	TP-20X30-TUFR	50
	18	036354	3	4-3/16	6-31/32	3/4	21	6-1/4	5-25/32	036346	TP-20X36-TUFR	55
	24	036355	3	4-3/16	6-31/32	3/4	27	6-1/4	5-25/32	036402	TP-20X48-TUFR	65
TP30	12	036356	3-1/2	4-3/8	7-3/8	1	14-1/2	7	6-3/16	036403	TP-30X30-TUFR	70
	18	036357	3-1/2	4-3/8	7-3/8	1	20-1/2	7	6-3/16	036374	TP-30X36-TUFR	77
	24	036358	3-1/2	4-3/8	7-3/8	1	26-1/2	7	6-3/16	036404	TP-30X48-TUFR	92
TP40	12	036359	3-1/2	4-15/16	8-3/8	1	15-1/2	7-1/2	7-3/16	036390	TP-40X30-TUFR	72
	18	036360	3-1/2	4-15/16	8-3/8	1	21-1/2	7-1/2	7-3/16	036371	TP-40X36-TUFR	78
	24	036361	3-1/2	4-15/16	8-3/8	1	27-1/2	7-1/2	7-3/16	036405	TP-40X48-TUFR	90
TP50	12	036362	4	5-7/16	9-13/32	1-1/4	15	8-1/2	8-7/32	036384	TP-50X30-TUFR	89
	18	036363	4	5-7/16	9-13/32	1-1/4	21	8-1/2	8-7/32	036377	TP-50X36-TUFR	98
	24	036364	4	5-7/16	9-13/32	1-1/4	27	8-1/2	8-7/32	036406	TP-50X48-TUFR	106
TP60	12	036365	4-1/2	7	11-11/32	1-1/4	16-1/2	9-5/8	8-29/32	036385	TP-60X30-TUFR	120
	18	036366	4-1/2	7	11-11/32	1-1/4	22-1/2	9-5/8	8-29/32	036368	TP-60X36-TUFR	130
	24	036367	4-1/2	7	11-11/32	1-1/4	28-1/2	9-5/8	8-29/32	036378	TP-60X48-TUFR	150

FEATURES/BENEFITS PAGE B13-2	HOW TO ORDER/ NOMENCLATURE PAGE B13-6	SELECTION PAGE B13-16	
---------------------------------	---	--------------------------	--

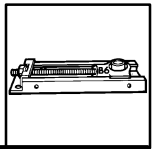
SELECTION/DIMENSIONS



Take-Up Frames-TPHU



FEATURES/BENEFITS PAGE B13-2	HOW TO ORDER/ NOMENCLATURE PAGE B13-6	SELECTION PAGE B13-19	
---------------------------------	---	--------------------------	--



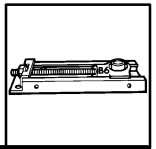
SELECTION/DIMENSIONS

Take-Up Frames-TPHU

Shaft Size	Frame-size	Nom. Travel	Frame Part No.	Wt.	B	C	D	E	F Bolt Dia	G
1-7/8 1-15/16 2	TPHU110	12	013497	58	29-1/2	3-1/2	27-1/2	-	5/8	11/16
		18	013498	70	35-1/2		33-1/2			
		24	013499	82	41-1/2		39-1/2			
2-3/16 2-1/4	TPHU120	12	013900	71	29-1/2	4-1/2	27-1/2	-	5/8	11/16
		18	013901	85	35-1/2		33-1/2			
		24	013902	99	41-1/2		39-1/2			
2-3/8 2-7/16 2-1/2	TPHU130	12	013903	73	30-1/2	4-1/2	28-1/2	-	3/4	13/16
		18	013904	86	36-1/2		34-1/2			
		24	013905	99	42-1/2		40-1/2			
2-11/16 2-3/4 2-15/16 3	TPHU140	12	013906	80	32-1/2	4-1/2	30-1/2	2	5/8	11/16
		18	013907	93	38-1/2		36-1/2			
		24	013908	106	44-1/2		42-1/2			
		30	013909	119	50-1/2		48-1/2			
		36	013910	132	56-1/2		54-1/2			
3-3/16 3-1/4 3-7/16 3-1/2	TPHU150	12	013511	91	34-1/4	4-1/2	32	2	3/4	13/16
		18	013512	105	40-1/4		38			
		24	013513	119	46-1/4		44			
		30	013514	133	52-1/4		50			
		36	013515	147	58-1/4		56			
3-11/16 3-15/16 4	TPHU160	12	013916	132	38-1/2	5-1/2	36	2-1/2	3/4	13/16
		18	013917	150	44-1/2		42			
		24	013918	168	50-1/2		48			
		30	013519	186	56-1/2		54			
		36	013520	204	62-1/2		60			

Shaft Size	Frame-size	Nom. Travel	Frame Part No.	Wt.	H	J	M	S Scr. Dia.	T Max. Travel	U
1-7/8 1-15/16 2	TPHU110	12	013497	58	1/2	10-5/8	3-15/16	3/4	13-1/2	7-3/4
		18	013498	70					19-1/2	
		24	013499	82					25-1/2	
2-3/16 2-1/4	TPHU120	12	013900	71	1/2	11-1/4	4-7/16	1	13-1/2	7
		18	013901	85					19-1/2	
		24	013902	99					25-1/2	
2-3/8 2-7/16 2-1/2	TPHU130	12	013903	73	1/2	11-3/4	4-5/8	1	13-1/2	7-1/2
		18	013904	86					19-1/2	
		24	013905	99					25-1/2	
2-11/16 2-3/4 2-15/16 3	TPHU140	12	013906	80	3/4	12-5/16	5-1/8	1	15-1/2	7-1/2
		18	013907	93					21-1/2	
		24	013908	106					27-1/2	
		30	013909	119					33-1/2	
		36	013910	132					39-1/2	
3-3/16 3-1/4 3-7/16 3-1/2	TPHU150	12	013511	91	3/4	13-27/32	5-5/8	1-1/4	15-1/2	8-1/4
		18	013512	105					21-1/2	
		24	013513	119					27-1/2	
		30	013514	133					33-1/2	
		36	013515	147					39-1/2	
3-11/16 3-15/16 4	TPHU160	12	013916	132	1	17	7	1-1/4	16-1/2	9-3/4
		18	013917	150					22-1/2	
		24	013918	168					28-1/2	
		30	013519	186					34-1/2	
		36	013520	204					40-1/2	

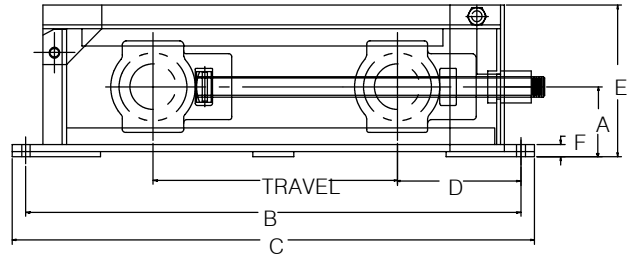
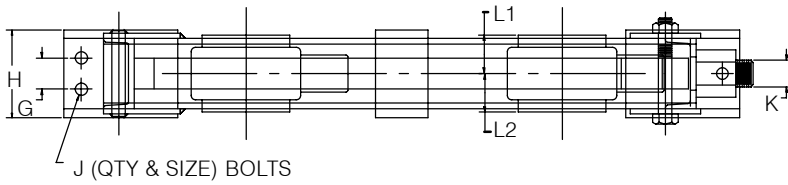
FEATURES/BENEFITS PAGE B13-2	HOW TO ORDER/ NOMENCLATURE PAGE B13-6	SELECTION PAGE B13-19	
---------------------------------	---	--------------------------	--



SELECTION/DIMENSIONS

Take-Up Frames-CP

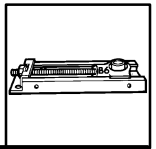
TAKE-UP ROLLER BEARING FOR CENTER PULL (CP)



U.S. Patent No. 4,676,670

Shaft Size	Wide Slot T-U Bearing		Wide Slot Take-Up Bearing		Wide Slot T-U Bearing		Frame Description	Nominal Travel	Frame Wt.	Frame Part Number
	S2000R (S2R Seals)		Type E	Type K	S2000S (S2S Seals)					
	Non-Exp.	Exp.	Non-Exp.	Non-Exp.	Non. Exp.	Exp.				
1-1/8	044873	044960	-	-	045232	045257	CP-308x12-TUFR	12	30	019200
1-3/16	044874	044961	-	-	045233	045258	CP-308x18-TUFR	18	34	019201
1-1/4	044875	044962	-	-	043234	045259	CP-308x24-TUFR	24	38	019202
1-3/8	044876	044963	023076	023255	045235	045260	CP-308x30-TUFR	30	42	019203
1-7/16	044877	044964	023077	023256	045236	045261	CP-308x36-TUFR	36	46	019204
1-1/2	044878	044965	-	-	045237	045262				
1-1/2	-	-	023078	023257	-	-	CP-400x12-TUFR	12	55	019210
1-5/8	044879	044966	023079	023258	045238	045263	CP-400x18-TUFR	18	65	019211
1-11/16	044880	044967	023080	023259	045239	045264	CP-400x24-TUFR	24	75	019212
1-3/4	044881	044968	023081	023260	045240	045265	CP-400x30-TUFR	30	85	019213
1-7/8	044882	044969	023082	-	045241	045266	CP-400x36-TUFR	36	95	019214
1-15/16	044883	044970	023083	023261	045242	045267				
2	044884	044971	023084	023262	045243	045268				
2-3/16	044885	044972	023085	023263	045244	045269	CP-408x12-TUFR	12	61	019220
2-1/4	044886	044973	-	-	045245	045270	CP-408x18-TUFR	18	71	019221
							CP-408x24-TUFR	24	81	019222
							CP-408x30-TUFR	30	85	019223
							CP-408x36-TUFR	36	95	019224
2-1/4	-	-	023086	023264	-	-	CP-502x12-TUFR	12	65	019230
2-3/8	044887	044974	-	-	045246	045271	CP-502x18-TUFR	18	75	019231
2-7/16	044888	044975	023087	023265	045247	045272	CP-502x24-TUFR	24	85	019232
2-1/2	044889	044976	023088	023266	045248	045273	CP-502x30-TUFR	30	95	019233
							CP-502x36-TUFR	36	105	019234
2-11/16	044890	044977	023089	023267	045249	045274	CP-515x12-TUFR	12	105	019240
2-3/4	044891	044978	023090	023268	045250	045275	CP-515x18-TUFR	18	120	019241
2-15/16	044892	044979	023091	023269	045251	045276	CP-515x24-TUFR	24	135	019242
3	044893	044980	023092	023270	045252	045277	CP-515x30-TUFR	30	150	019243
							CP-515x36-TUFR	36	165	019244
3-3/16	044894	044981	-	-	045253	045278	CP-613x12-TUFR	12	115	019250
3-1/4	044950	044982	-	-	045254	045279	CP-613x18-TUFR	18	135	019251
3-7/16	044951	044983	-	-	045255	045280	CP-613x24-TUFR	24	155	019252
3--1/2	044952	044984	-	-	045256	045281	CP-613x30-TUFR	30	175	019253
							CP-613x36-TUFR	36	195	019254
3-11/16	044953	044985	-	-	043207	043487	CP-810x12-TUFR	12	185	019260
3-15/16	044954	044986	-	-	043208	043218	CP-810x18-TUFR	18	210	019261
4	044955	044987	-	-	043209	043488	CP-810x24-TUFR	24	235	019262
							CP-810x30-TUFR	30	260	019263
							CP-810x36-TUFR	36	285	019264
4-7/16	044956	044988	-	-	043210	043489	CP-908x12-TUFR	12	280	019270
4-1/2	044957	044989	-	-	043211	043490	CP-908x18-TUFR	18	310	019271
							CP-908x24-TUFR	24	340	019272
							CP-908x30-TUFR	30	370	019273
							CP-908x36-TUFR	36	400	019274
4-15/16	044958	044990	-	-	043212	043491	CP-1004x12-TUFR	12	370	019280
5	044959	044991	-	-	043213	043492	CP-1004x18-TUFR	18	400	019281
							CP-1004x24-TUFR	24	430	019282
							CP-1004x30-TUFR	30	460	019283
							CP-1004x36-TUFR	36	490	019284

DIMENSIONS S2000 WIDE SLOT T.U. BRG. PAGE B7-26	DIMENSIONS TYPE E WIDE SLOT T.U. BRG. PAGE B5-30	DIMENSIONS TYPE K WIDE SLOT T.U. BRG. PAGE B5-40	DIMENSIONS CENTER PULL T.U. FRAME PAGE B13-25
---	--	--	---

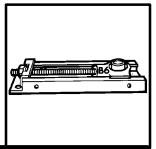


SELECTION/DIMENSIONS

Take-Up Frames-CP CENTER PULL (CP)

Frame-size	Frame Part Number	Travel			S2000 Bearing		Type K Bearing		Type E Bearing		A	B	C	D		E	F	G	H	J		K
		Norm	Maximum		L1	L2	L1	L2	L1	L2				S2000	Type K & E					Quan.	Size Dia.	
			S2000	Type E & K																		
CP308	019200	12	15-15/32	15-15/32							26	28										3/4-10NC
CP308	019201	18	21-15/32	21-15/32							32	64										3/4-10NC
CP308	019202	24	27-15/32	27-15/32	1-1/4	1-25/32	1-1/32	1-1/2	1-1/2	1-1/2	38	40	6	6	7	11/16	..	3	2	1/2	3/4-10NC	
CP308	019203	30	33-15/32	33-15/32							44	46										3/4-10NC
CP308	019204	36	39-15/32	39-15/32							50	52										3/4-10NC
CP400	019210	12	14-27/32	14-23/32							27-1/2	29-1/2										1-8NC
CP400	019211	18	20-27/32	20-23/32							33-1/2	35-1/2										1-8NC
CP400	019212	24	26-27/32	26-23/32	1-5/16	1-29/32	1-7/32	1-3/4	1-3/4	1-3/4	39-1/2	41-1/2	7-1/4	7-1/4	8-5/8	13/16	..	4	2	5/8	1-8NC	
CP400	019213	30	32-27/32	32-23/32							45-1/2	47-1/2										1-8NC
CP400	019214	36	38-27/32	38-23/32							51-1/2	53-1/2										1-8NC
CP408	019220	12	14-5/32	14-3/32							27-1/2	29-1/2										1-1/8-7NC
CP408	019221	18	20-5/32	20-3/32							33-1/2	35-1/2										1-1/8-7NC
CP408	019222	24	26-5/32	26-3/32	1-3/8	2-1/16	1-9/32	1-7/8	1-7/8	1-7/8	39-1/2	41-1/2	7-3/4	7-3/4	9-1/4	11/16	..	4	2	5/8	1-1/8-7NC	
CP408	019223	30	32-5/32	32-3/32							45-1/2	47-1/2										1-1/8-7NC
CP408	019224	36	38-5/32	38-3/32							51-1/2	53-1/2										1-1/8-7NC
CP502	019230	12	14-13/32	12-31/32							28-1/2	30-1/2										1-1/4-7NC
CP502	019231	18	20-13/32	18-31/32							34-1/2	36-1/2										1-1/4-7NC
CP502	019232	24	26-13/32	24-31/32	1-1/2	2-3/16	1-5/8	2	2	2	40-1/2	42-1/2	8-1/4	9-9/16	9-1/2	13/16	..	4	2	3/4	1-1/4-7NC	
CP502	019233	30	32-13/32	30-31/32							46-1/2	48-1/2										1-1/4-7NC
CP502	019234	36	38-13/32	36-31/32							52-1/2	54-1/2										1-1/4-7NC
CP515	019240	12	14-23/32	14-15/32							30-1/2	32-1/2										1-1/2-6NC
CP515	019241	18	20-23/32	20-15/32							36-1/2	38-1/2										1-1/2-6NC
CP515	019242	24	26-23/32	26-15/32	1-1/16	2-7/16	1-5/8	2-1/4	2-1/4	2-1/4	42-1/2	44-1/2	9-1/4	9-3/8	11-5/32	7/8	2	5	4	5/8	1-1/2-6NC	
CP515	019243	30	32-23/32	32-15/32							48-1/2	50-1/2										1-1/2-6NC
CP515	019244	36	38-23/32	38-15/32							54-1/2	56-1/2										1-1/2-6NC
CP613	019250	12	15-1/32	-							32	34-1/4										1-3/4-5NC
CP613	019251	18	21-1/32	-							38	40-1/4										1-3/4-5NC
CP613	019252	24	27-1/32	-	1-27/32	2-21/32	-	-	-	-	44	46-1/4	9-7/8	-	12-1/16	15/16	2	5	4	3/4	1-3/4-5NC	
CP613	019253	30	33-1/32	-							50	52-1/4										1-3/4-5NC
CP613	019254	36	39-1/32	-							56	58-1/4										1-3/4-5NC
CP810	019260	12	16-9/32	-							36	38-1/2										2-4-1/2-NC
CP810	019261	18	22-9/32	-							42	44-1/2										2-4-1/2-NC
CP810	019262	24	28-9/32	-	2-1/8	3-1/16	-	-	-	7	48	50-1/2	12	-	14-3/4	1-3/16	2-1/2	6	4	3/4	2-4-1/2-NC	
CP810	019263	30	34-9/32	-							54	56-1/2										2-4-1/2-NC
CP810	019264	36	40-9/32	-							60	62-1/2										2-4-1/2-NC
CP908	019270	12	17-31/32	-							40-3/4	45-3/4										2-4-1/2-NC
CP908	019271	18	23-31/32	-							46-3/4	51-3/4										2-4-1/2-NC
CP908	019272	24	29-31/32	-	3-3/4	3-3/4	-	-	-	7-1/2	52-3/4	57-3/4	13-1/2	-	16-1/16	1-1/4	5	9	4	1-1/8	2-4-1/2-NC	
CP908	019273	30	35-31/32	-							58-3/4	63-3/4										2-4-1/2-NC
CP908	019274	36	41-31/32	-							64-3/4	69-3/4										2-4-1/2-NC
CP1004	019280	12	18-29/32	-							44-1/2	49-1/2										2-1/4-4-1/2-NC
CP1004	019281	18	24-29/32	-							50-1/2	55-1/2										2-1/4-4-1/2-NC
CP1004	019282	24	30-29/32	-	4	-	-	-	-	8-1/8	56-1/2	61-1/2	15-3/8	-	17-5/16	1-1/2	5-1/2	10	4	1-1/8	2-1/4-4-1/2-NC	
CP1004	019283	30	36-29/32	-							62-1/2	67-1/2										2-1/4-4-1/2-NC
CP1004	019284	36	42-29/32	-							68-1/2	73-1/2										2-1/4-4-1/2-NC

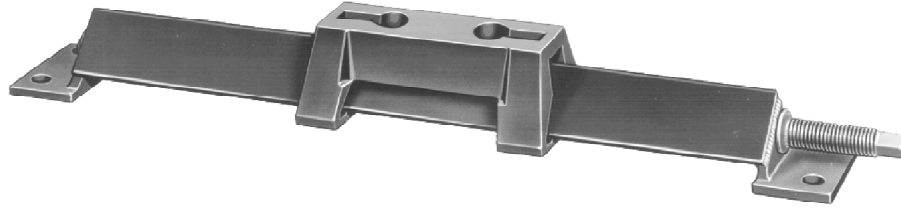
FEATURES/BENEFITS PAGE B13-2	HOW TO ORDER/ NOMENCLATURE PAGE B13-6	SELECTION PAGE B13-24	
---------------------------------	---	--------------------------	--



SELECTION/DIMENSIONS

Take-Up Frames-LD

BALL BEARINGS FOR LD PROTECTED SCREW TAKE-UP FRAMES



SETSCREW BALL BEARINGS-INCH SC & SCU NORMAL DUTY PILLOW BLOCKS

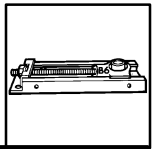
Shaft Size	Part Number	Bearing Description	Weight lbs.	Framesize Ref.
1/2 5/8	123830 123831	P2B-SC-008 P2B-SC-010	1.1 1.0	LD10
1/2 5/8	123753 123754	P2B-SCU-008 P2B-SCU-010	1.2 1.1	LD10
1/2 5/8 3/4	123835 123836 123803	P2B-SC-008L P2B-SC-010L P2B-SC-012	1.6 1.5 1.4	LD10
7/8 15/16 1	123804 123805 123806	P2B-SC-014 P2B-SC-015 P2B-SC-100	1.8 1.7 1.6	LD10
1-1/16 1-1/8 1-3/16 1-1/4	123807 123808 123809 123170	P2B-SC-101 P2B-SC-102 P2B-SC-103 P2B-SC-104S	2.8 2.7 2.6 2.5	LD20
1-1/16 1-1/8 1-3/16 1-1/4	123877 123878 123879 123894	P2B-SCU-101 P2B-SCU-102 P2B-SCU-103 P2B-SCU-104S	2.9 2.8 2.7 2.6	LD20
1-1/4 1-5/16 1-3/8 1-7/16	123810 123811 123812 123813	P2B-SC-104 P2B-SC-105 P2B-SC-106 P2B-SC-107	4.5 4.4 4.3 4.2	LD20
1-1/2 1-5/8	123814 123815	P2B-SC-108 P2B-SC-110	5.4 5.3	LD20
1-5/8 1-11/16 1-3/4	125169 123816 123817	P2B-SC-110L P2B-SC-111 P2B-SC-112	6.6 6.4 6.2	LD20
1-15/16 2	123818 123819	P2B-SC-115 P2B-SC-200	7.2 7.0	LD30
2 2-3/16 2-1/4	126815 123820 123821	P2B-SCM-200 P2B-SC-203 P2B-SC-204	9.0 8.9 8.6	LD40
2-1/4 2-7/16	126817 123822	P2B-SCM-204 P2B-SC-207	10.8 10.2	LD40
2-1/2 2-11/16	126819 123839	P2B-SCM-208 P2B-SC-211	15.5 15.0	LD45
2-15/16	123823	P2B-SC-215	20.5	LD50
2-15/16	123728	P2B-SCU-215	20.7	LD50

SETSCREW BALL BEARINGS - INCH SCB NORMAL DUTY PILLOW BLOCKS

Shaft Size	Part Number	Bearing Description	Weight	Framesize Ref.
1/2 5/8	123830 123831	P2B-SC-008 P2B-SC-010	1.1 1.0	LD10
1/2 5/8 3/4	123854 123855 123860	P2B-SCB-008L P2B-SCB-010L P2B-SCB-012	1.5 1.4 1.3	LD10
7/8 15/16 1	123861 123862 123863	P2B-SCB-014 P2B-SCB-015 P2B-SCB-100	1.7 1.6 1.5	LD10
1-1/16 1-1/8 1-3/16 1-1/4	123856 123864 123865 123171	P2B-SCB-101 P2B-SCB-102 P2B-SCB-103 P2B-SCB-104S	2.6 2.5 2.4 2.3	LD20
1-1/4 1-5/16 1-3/8 1-7/16	123866 123857 123867 123868	P2B-SCB-104 P2B-SCB-105 P2B-SCB-106 P2B-SCB-107	4.0 3.9 3.8 3.7	LD20
1-1/2 1-5/8	123869 123858	P2B-SCB-108 P2B-SCB-110	4.3 4.2	LD20
1-5/8 1-11/16 1-3/4	@ 123870 123871	P2B-SCB-110L P2B-SCB-111 P2B-SCB-112	5.6 5.5 5.3	LD20
1-15/16 2	123872 123873	P2B-SCB-115 P2B-SCB-200	6.2 6.0	LD30
2 2-3/16 2-1/4	@ 123874 123859	P2B-SCB-200L P2B-SCB-203 P2B-SCB-204	7.6 7.5 7.2	LD40
2-1/4 2-7/16	@ 123875	P2B-SCB-204L P2B-SCB-207	10.2 9.6	LD40
2-15/16	123727	P2B-SCB-215	20.7	LD50

@ Assembled to order.

DIMENSIONS - SC BALL BRG. PILLOW BLOCKS PAGE B2-10 & B2-13	DIMENSIONS - SCU BALL BRG. PILLOW BLOCKS PAGE B2-10 & B2-13	DIMENSIONS - SCB BALL BRG. PILLOW BLOCKS PAGE B2-17 & B2-19	DIMENSIONS LD T.U. FRAME PAGE B13-35
--	---	---	--



SELECTION/DIMENSIONS

Take-Up Frames-LD

BALL BEARINGS FOR LD PROTECTED SCREW TAKE-UP FRAMES

SETSCREW BALL BEARINGS - INCH SCH NON-EXPANSION NORMAL DUTY PILLOW BLOCKS

Shaft Size	Part Number	Bearing Description	Weight lbs	Framesize Ref.
1-3/16 1-1/4	126400 053184	P2B-SCH-103 P2B-SCH-104S	5.0	LD20
1-7/16	126401	P2B-SCH-107	6.9	LD20
1-15/16	126402	P2B-SCH-115	10.4	LD40
2-3/16	126403	P2B-SCH-203	15.4	LD45
2-7/16	126404	P2B-SCH-207	20.4	LD45

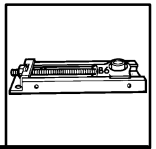
SETSCREW BALL BEARINGS - INCH SCH-E EXPANSION NORMAL DUTY PILLOW BLOCKS

Shaft Size	Part Number	Bearing Description	Weight lbs	Framesize Ref.
1-3/16 1-1/4	126405 053183	P2B-SCH-103-E P2B-SCH-104S-E	4.6	LD20
1-7/16	126406	P2B-SCH-107-E	6.4	LD20
1-15/16	126407	P2B-SCH-115-E	9.8	LD40
2-3/16	126408	P2B-SCH-203-E	14.3	LD45
2-7/16	126409	P2B-SCH-207-E	18.6	LD45

SETSCREW BALL BEARINGS - INCH SCM MEDIUM DUTY PILLOW BLOCKS

Shaft Size	Part Number	Bearing Description	Weight lbs.	Framesize Ref.
1	126147	P2B-SCM-100	3.0	LD20
1-3/16 1-1/4	126148 123810	P2B-SCM-103 P2B-SC-104	4.6 4.2	LD20
1-7/16	126810	P2B-SCM-107	5.4	LD20
1-1/2	126811	P2B-SCM-108	6.4	LD20
1-11/16 1-3/4	126812 126813	P2B-SCM-111 P2B-SCM-112	7.4 7.3	LD30
1-15/16 2	126814 126815	P2B-SCM-115 P2B-SCM-200	9.2 9.0	LD40
2-3/16 2-1/4	126816 126817	P2B-SCM-203 P2B-SCM-204	11.0 10.8	LD40
2-7/16 2-1/2	126818 126819	P2B-SCM-207 P2B-SCM-208	15.7 15.5	LD45
2-11/16	126820	P2B-SCM-211	21.0	LD50
2-15/16 3	126821 126822	P2B-SCM-215 P2B-SCM-300	21.3 21.0	LD50
3-7/16 3-1/2	126823 126824	P2B-SCM-307 P2B-SCM-308	31.8 31.3	LD50

DIMENSIONS - SCH BALL BRG. PILLOW BLOCKS PAGE B2-26	DIMENSIONS - SCH-E BALL BRG. PILLOW BLOCKS PAGE B2-113	DIMENSIONS - SCM BALL BRG. PILLOW BLOCKS PAGE B2-29	DIMENSIONS LD T.U. FRAME PAGE B13-35
---	--	---	--



SELECTION/DIMENSIONS

Take-Up Frames-LD

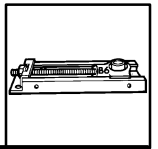
BALL BEARINGS FOR LD PROTECTED SCREW TAKE-UP FRAMES

SETSCREW BALL BEARINGS - INCH VSC & VSCU INTERMEDIATE DUTY PILLOW BLOCKS

Shaft Size	Part Number	Bearing Description	Weight lbs.	Framesize Ref.
1/2	125500	P2B-VSC-008	1.08	LD10
5/8	125501	P2B-VSC-010	1.00	
1/2	125513	P2B-VSCU-008	1.28	LD10
5/8	125514	P2B-VSCU-010	1.18	
3/4	123580	P2B-VSC-012	1.25	LD10
7/8	125502	P2B-VSC-014	1.78	LD10
15/16	125503	P2B-VSC-015	1.68	
1	123581	P2B-VSC-100	1.60	
1-1/8	125504	P2B-VSC-102	2.68	LD20
1-3/16	123582	P2B-VSC-103	2.60	
1-1/4	123589	P2B-VSC-104S	2.50	
1-1/8	125515	P2B-VSCU-102	2.78	LD20
1-3/16	123604	P2B-VSCU-103	2.68	
1-1/4	123606	P2B-VSCU-104S	2.58	
1-1/4	123583	P2B-VSC-104	4.28	LD20
1-3/8	125505	P2B-VSC-106	4.18	
1-7/16	123584	P2B-VSC-107	4.08	
1-1/2	123585	P2B-VSC-108	5.00	LD20
1-11/16	125506	P2B-VSC-111	5.44	LD20
1-3/4	124933	P2B-VSC-112	5.32	
1-15/16	123586	P2B-VSC-115	5.70	LD30
2	123587	P2B-VSC-200	5.60	
2	123593	P2B-VSC-200L	7.75	LD40
2-3/16	123588	P2B-VSC-203	7.50	

SETSCREW BALL BEARINGS - INCH VSCB INTERMEDIATE DUTY PILLOW BLOCKS

Shaft Size	Part Number	Bearing Description	Weight lbs.	Framesize Ref.
1/2	125500	P2B-VSC-008	1.08	LD10
5/8	125501	P2B-VSC-010	1.00	
3/4	123595	P2B-VSCB-012	1.30	LD10
7/8	125508	P2B-VSCB-014	1.68	LD10
15/16	125509	P2B-VSCB-015	1.57	
1	123596	P2B-VSCB-100	1.50	
1-1/8	125510	P2B-VSCB-102	2.48	LD20
1-3/16	123597	P2B-VSCB-103	2.38	
1-1/4	123605	P2B-VSCB-104S	2.28	
1-1/4	123598	P2B-VSCB-104	4.18	LD20
1-3/8	125511	P2B-VSCB-106	4.08	
1-7/16	123599	P2B-VSCB-107	3.98	
1-1/2	123600	P2B-VSCB-108	4.20	LD20
1-11/16	125512	P2B-VSCB-111	5.48	LD20
1-3/4	125507	P2B-VSCB-112	5.28	
1-15/16	123601	P2B-VSCB-115	5.50	LD30
2	123602	P2B-VSCB-200	5.40	
2	123607	P2B-VSCB-200L	7.55	LD40
2-3/16	123603	P2B-VSCB-203	7.30	



SELECTION/DIMENSIONS

Take-Up Frames-LD

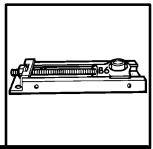
BALL BEARINGS FOR LD PROTECTED SCREW TAKE-UP FRAMES

SETSCREW BALL BEARINGS - METRIC SC NORMAL DUTY METRIC PILLOW BLOCKS

Shaft Size, mm	Part Number	Bearing Description	Weight kg	Framesize Ref.
17	125850	P2B-SCU-17M	0.4	LD10
20	125851	P2B-SC-20M	0.7	LD10
25	125852	P2B-SC-25M	0.7	LD10
30	125853	P2B-SC-30M	1.1	LD20
30	125854	P2B-SCU-30M	1.1	LD20
35	125855	P2B-SC-35M	1.5	LD20
40	125856	P2B-SCB-40M	2.2	LD20
45	125857	P2B-SC-45M	2.2	LD30
50	125858	P2B-SC-50M	2.6	LD30
55	125859	P2B-SC-55M	3.3	LD40
60	125860	P2B-SC-60M	4.2	LD40
70	125861	P2B-SC-70M	6.9	LD45
75	125862	P2B-SC-75M	7.9	LD50

SETSCREW BALL BEARINGS - METRIC SCM MEDIUM DUTY METRIC PILLOW BLOCKS

Shaft Size, mm	Part Number	Bearing Description	Weight kg.	Framesize Ref.
25	125925	P2B-SCM-25M	1.2	LD20
30	125926	P2B-SCM-30M	1.6	LD20
35	125927	P2B-SCM-35M	2.2	LD20
40	125928	P2B-SCM-40M	2.4	LD20
45	125829	P2B-SCM-45M	2.8	LD30
50	125930	P2B-SCM-50M	3.4	LD40
55	125931	P2B-SCM-55M	4.3	LD40
65	125932	P2B-SCM-65M	7.2	LD45
70	125933	P2B-SCM-70M	8.2	LD50
75	125934	P2B-SCM-75M	8.5	LD50
85	125935	P2B-SCM-85M	13.2	LD50



SELECTION/DIMENSIONS

Take-Up Frames-LD

BALL BEARINGS FOR LD PROTECTED SCREW TAKE-UP FRAMES

ECCENTRIC COLLAR BALL BEARINGS - INCH
SXR & SXRU NORMAL DUTY PILLOW BLOCKS

Shaft Size	Part Number	Bearing Description	Weight lbs.	Framesize Ref.
1/2	131800	P2B-SXR-008	1.2	LD10
5/8	131801	P2B-SXR-010	1.0	
1/2	131341	P2B-SXRU-008	1.2	LD10
5/8	131342	P2B-SXRU-010	1.0	
3/4	131802	P2B-SXR-012	1.6	LD10
7/8	131803	P2B-SXR-014	1.9	LD10
15/16	131804	P2B-SXR-015	1.8	
1	131805	P2B-SXR-100	1.7	
1-1/16	131806	P2B-SXR-101	2.8	LD20
1-1/8	131807	P2B-SXR-102	2.7	
1-3/16	131808	P2B-SXR-103	2.6	
1-1/16	131895	P2B-SXRU-101	2.9	LD20
1-1/8	131896	P2B-SXRU-102	2.8	
1-3/16	131897	P2B-SXRU-103	2.7	
1-1/4	131809	P2B-SXR-104	4.6	LD20
1-5/16	131810	P2B-SXR-105	4.5	
1-3/8	131811	P2B-SXR-106	4.4	
1-7/16	131812	P2B-SXR-107	4.3	
1-1/2	131813	P2B-SXR-108	5.3	LD20
1-5/8	131814	P2B-SXR-110	6.6	LD30
1-11/16	131815	P2B-SXR-111	6.5	
1-3/4	131816	P2B-SXR-112	6.4	
1-15/16	131817	P2B-SXR-115	7.4	LD30
2	131818	P2B-SXR-200	7.2	
2	131339	P2B-SXR-200L	9.8	LD40
2-3/16	131819	P2B-SXR-203	9.3	
2-1/4	131820	P2B-SXR-204	11.6	LD40
2-7/16	131821	P2B-SXR-207	11.0	
2-15/16	131432	P2B-SXR-215	21.0	LD50
2-15/16	131434	P2B-SXRU-215	21.0	LD50

ECCENTRIC COLLAR BALL BEARINGS - INCH
SXRH NON-EXPANSION NORMAL DUTY
PILLOW BLOCKS

Shaft Size	Part Number	Bearing Description	Weight lbs	Framesize Ref.
1-3/16	126410	P2B-SXRH-103	5.2	LD20
1-7/16	126411	P2B-SXRH-107	7.2	LD30
1-15/16	126412	P2B-SXRH-115	11.1	LD40
2-3/16	126413	P2B-SXRH-203	16.3	LD45
2-7/16	126414	P2B-SXRH-207	21.4	LD45

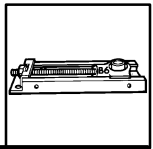
ECCENTRIC COLLAR BALL BEARINGS - INCH
SXRH NORMAL DUTY PILLOW BLOCKS

Shaft Size	Part Number	Bearing Description	Weight lbs.	Framesize Ref.
1/2	131800	P2B-SXR-008	1.2	LD10
5/8	131801	P2B-SXR-010	1.0	
3/4	131830	P2B-SXRB-012	1.5	LD10
7/8	131831	P2B-SXRB-014	1.8	LD20
15/16	131832	P2B-SXRB-015	1.7	
1	131833	P2B-SXRB-100	1.6	
1-1/16	131834	P2B-SXRB-101	2.7	LD20
1-1/8	131835	P2B-SXRB-102	2.6	
1-3/16	131836	P2B-SXRB-103	2.5	
1-1/4	131837	P2B-SXRB-104	4.4	LD20
1-5/16	131838	P2B-SXRB-105	4.3	
1-3/8	131839	P2B-SXRB-106	4.2	
1-7/16	131840	P2B-SXRB-107	4.1	
1-1/2	131841	P2B-SXRB-108	5.0	LD20
1-5/8	131842	P2B-SXRB-110	6.4	LD30
1-11/16	131843	P2B-SXRB-111	6.3	
1-3/4	131844	P2B-SXRB-112	6.2	
1-15/16	131845	P2B-SXRB-115	7.2	LD30
2	131846	P2B-SXRB-200	7.0	
2	131340	P2B-SXRB-200L	9.5	LD40
2-3/16	131847	P2B-SXRB-203	9.0	
2-1/4	131848	P2B-SXRB-204	11.4	LD40
2-7/16	131849	P2B-SXRB-207	10.4	
2-15/16	131434	P2B-SXRB-215	21.0	LD50

ECCENTRIC COLLAR BALL BEARINGS - INCH
SXRH-E EXPANSION NORMAL DUTY
PILLOW BLOCKS

Shaft Size	Part Number	Bearing Description	Weight lbs	Framesize Ref.
1-3/16	126415	P2B-SXRH-103-E	5.0	LD20
1-7/16	126416	P2B-SXRH-107-E	6.9	LD30
1-15/16	126417	P2B-SXRH-115-E	10.8	LD40
2-3/16	126418	P2B-SXRH-203-E	15.7	LD45
2-7/16	126419	P2B-SXRH-207-E	20.1	LD45

DIMENSIONS/SXR & SXRU BALL BRG. PILLOW BLOCK PAGE B3-10 & B3-13	DIMENSIONS/SXRB BALL BRG. PILLOW BLOCKS PAGE B3-15 & B3-17	DIMENSIONS/SXRH BALL BRG. PILLOW BLOCKS PAGE B3-19	DIMENSIONS/SXRH-E BALL BRG. PILLOW BLOCKS PAGE B3-19
---	--	--	--



SELECTION/DIMENSIONS

Take-Up Frames-LD

BALL BEARINGS FOR LD PROTECTED SCREW TAKE-UP FRAMES

ECENTRIC COLLAR BALL BEARINGS - INCH SXV AND SXVU INTERMEDIATE DUTY PILLLOW BLOCKS

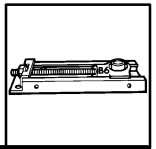
Shaft Size	Part Number	Bearing Description	Weight lbs.	Framesize Ref.
1/2 5/8	130310 130311	P2B-SXV-008 P2B-SXV-010	1.18 1.10	LD10
1/2 5/8	130324 130325	P2B-SXVU-008 P2B-SXVU-010	1.38 1.18	LD10
3/4	131970	P2B-SXV-012	1.35	LD10
7/8 15/16 1	131971 131972 131973	P2B-SXV-014 P2B-SXV-015 P2B-SXV-100	1.88 1.78 1.70	LD10
1-1/16 1-1/8 1-3/16 1-1/4	131974 131975 131976 131977	P2B-SXV-101 P2B-SXV-102 P2B-SXV-103 P2B-SXV-104S	2.88 2.78 2.70 2.60	LD20
1-1/16 1-1/8 1-3/16 1-1/4	131082 131083 131084 131085	P2B-SXVU-101 P2B-SXVU-102 P2B-SXVU-103 P2B-SXVU-104S	2.98 2.88 2.78 2.68	LD20
1-1/4 1-5/16 1-3/8 1-7/16	131978 131979 131980 131981	P2B-SXV-104 P2B-SXV-105 P2B-SXV-106 P2B-SXV-107	4.38 4.33 4.28 4.18	LD20
1-1/2	131982	P2B-SXV-108	5.10	LD20
1-11/16 1-3/4	130312 130313	P2B-SXV-111 P2B-SXV-112	5.54 5.42	LD20
1-15/16 2	130314 130315	P2B-SXV-115 P2B-SXV-200	5.80 5.70	LD30
2 2-3/16	130316 130317	P2B-SXV-200L P2B-SXV-203	7.85 7.60	LD40

ECENTRIC COLLAR BALL BEARINGS - INCH SXVB INTERMEDIATE DUTY PILLLOW BLOCKS

Shaft Size	Part Number	Bearing Description	Weight lbs.	Framesize Ref.
1/2 5/8	130310 130311	P2BSXV-008 P2B-SXV-010	1.08 1.00	LD10
3/4	131983	P2B-SXVB-012	1.25	LD10
7/8 15/16 1	131984 131985 131986	P2B-SXVB-014 P2B-SXVB-015 P2B-SXVB-100	1.78 1.68 1.60	LD10
1-1/16 1-1/8 1-3/16 1-1/4	131987 131988 131989 131990	P2B-SXVB-101 P2B-SXVB-102 P2B-SXVB-103 P2B-SXVB-104S	2.78 2.68 2.60 2.50	LD20
1-1/4 1-5/16 1-3/8 1-7/16	131991 131992 131993 131994	P2B-SXVB-104 P2B-SXVB-105 P2B-SXVB-106 P2B-SXVB-107	4.28 4.23 4.18 4.08	LD20
1-1/2	131995	P2B-SXVB-108	5.00	LD20
1-11/16 1-3/4	130318 130319	P2B-SXVB-111 P2B-SXVB-112	5.44 5.32	LD20
1-15/16 2	130320 130321	P2B-SXVB-115 P2B-SXVB-200	5.70 5.60	LD30
2 2-3/16	130322 130323	P2B-SXVB-200L P2B-SXVB-203	7.75 7.50	LD40

ECENTRIC COLLAR BALL BEARINGS - METRIC SXR NORMAL DUTY METRIC PILLLOW BLOCKS

Shaft Size, mm	Part Number	Bearing Description	Weight lbs.	Framesize Ref.
17	125655	P2B-SXRU-17M	0.4	LD10
20	125656	P2B-SXR-20M	0.6	LD10
25	125657	P2B-SXR-25M	0.7	LD10
30	125658	P2B-SXRU-30M	1.2	LD20
35	125659	P2B-SXR-35M	1.9	LD20
40	125660	P2B-SXRB-40M	2.2	LD20
45	125661	P2B-SXR-45M	2.8	LD20
50	125662	P2B-SXR-50M	3.2	LD30
55	125663	P2B-SXR-55M	4.1	LD30
60	125664	P2B-SXR-60M	5.0	LD40
75	125665	P2B-SXRU-75M	9.3	LD50



SELECTION/DIMENSIONS

Take-Up Frames—LD

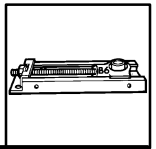
BALL BEARINGS FOR LD PROTECTED SCREW TAKE-UP FRAMES

D-LOK BALL BEARINGS—INCHES DL NORMAL DUTY PILLOW BLOCKS

Shaft Size	Part Number	Bearing Description	Weight lbs.	Framesize Ref.
3/4	128700	P2B-DL-012	2.1	LD10
7/8	128701	P2B-DL-014	2.3	LD10
15/16	128702	P2B-DL-015	2.3	
1	128703	P2B-DL-100	2.3	
1-1/8	128704	P2B-DL-102	3.8	LD20
1-3/16	128705	P2B-DL-103	3.7	
1-1/4	128706	P2B-DL-104S	3.7	
1-1/4	128707	P2B-DL-104	4.9	LD20
1-3/8	128708	P2B-DL-106	4.9	
1-7/16	128709	P2B-DL-107	4.8	
1-1/2	128710	P2B-DL-108	6.0	LD20
1-5/8	128711	P2B-DL-110L	6.8	LD20
1-11/16	128712	P2B-DL-111	6.8	
1-3/4	128713	P2B-DL-112	6.7	
1-15/16	128714	P2B-DL-115	8.5	LD30
2	128715	P2B-DL-200	8.4	
2	128830	P2B-DLM-200	12.2	LD40
2-3/16	128717	P2B-DL-203	10.3	
2-1/4	128832	P2B-DLM-204	17.5	LD40
2-7/16	128719	P2B-DL-207	14.8	
2-1/2	128834	P2B-DLM-208	19.4	LD45
2-11/16	128720	P2B-DL-211	19.3	

D-LOK BALL BEARINGS—INCHES DLB NORMAL DUTY PILLOW BLOCKS

Shaft Size	Part Number	Bearing Description	Weight lbs.	Framesize Ref.
3/4	128721	P2B-DLB-012	1.8	LD10
7/8	128722	P2B-DLB-014	2.2	LD10
15/16	128723	P2B-DLB-015	2.2	
1	128724	P2B-DLB-100	2.1	
1-1/8	128725	P2B-DLB-102	3.8	LD20
1-3/16	128726	P2B-DLB-103	3.7	
1-1/4	128727	P2B-DLB-104S	3.7	
1-1/4	128728	P2B-DLB-104	4.7	LD20
1-3/8	128729	P2B-DLB-106	4.7	
1-7/16	128730	P2B-DLB-107	4.6	
1-1/2	128710	P2B-DL-108	6.0	LD20
1-5/8	128731	P2B-DLB-110L	6.4	LD20
1-11/16	128732	P2B-DLB-111	6.4	
1-3/4	128733	P2B-DLB-112	6.4	
1-15/16	128734	P2B-DLB-115	8.4	LD30
2	128735	P2B-DLB-200	8.3	
2	128736	P2B-DLB-200L	10.3	LD40
2-3/16	127838	P2B-DLB-203	10.3	
2-1/4	128839	P2B-DLB-204L	14.6	LD40
2-7/16	128741	P2B-DLB-207	14.6	



SELECTION/DIMENSIONS

Take-Up Frames-LD

BALL BEARINGS FOR LD PROTECTED SCREW TAKE-UP FRAMES

D-LOK BALL BEARINGS—INCHES DLH NON EXPANSION D-LOK NORMAL DUTY PILLOW BLOCKS

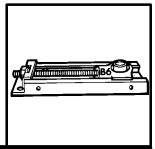
Shaft Size	Part Number	Bearing Description	Weight lbs.	Framesize Ref.
1-3/16	126445	P2B-DLH-103	5.2	LD20
1-7/16	126446	P2B-DLH-107	7.2	LD30
1-15/16	126447	P2B-DLH-115	11.1	LD40
2-3/16	126448	P2B-DLH-203	16.3	LD45
2-7/16	126449	P2B-DLH-207	21.4	LD45

D-LOK BALL BEARINGS—INCHES DLH-E EXPANSION D-LOK NORMAL DUTY PILLOW BLOCKS

Shaft Size	Part Number	Bearing Description	Weight lbs.	Framesize Ref.
1-3/16	126450	P2B-DLH-103-E	5.0	LD20
1-7/16	126451	P2B-DLH-107-E	6.9	LD30
1-15/16	126452	P2B-DLH-115-E	10.8	LD40
2-3/16	126453	P2B-DLH-203-E	15.7	LD45
2-7/16	126454	P2B-DLH-207-E	20.1	LD45

D-LOK BALL BEARINGS—INCHES DLM MEDIUM DUTY PILLOW BLOCKS

Shaft Size	Part Number	Bearing Description	Weight lbs.	Framesize Ref.
1	128823	P2B-DLM-100	4.2	LD20
1-3/16 1-1/4	128824 128707	P2B-DLM-103 P2B-DL-104	5.6 4.9	LD20
1-7/16	128825	P2B-DLM-107	7.2	LD20
1-1/2	128826	P2B-DLM-108	9.2	LD30
1-11/16 1-3/4	128827 128828	P2B-DLM-111 P2B-DLM-112	10.1 10.1	LD40
1-15/16 2	128829 128830	P2B-DLM-115 P2B-DLM-200	12.3 12.2	LD40
2-3/16 2-1/4	128831 128832	P2B-DLM-203 P2B-DLM-204	17.5 17.5	LD45
2-7/16 2-1/2	128833 128834	P2B-DLM-207 P2B-DLM-208	19.4 19.4	LD45
2-11/16	128696	P2B-DLM-211	24.9	LD50
2-15/16	128697	P2B-DLM-215	25.4	LD50
3-7/16	128698	P2B-DLM-307	34.9	LD50



SELECTION/DIMENSIONS

Take-up Frames-LD

SPHERICAL AND SLEEVE BEARINGS FOR LD PROTECTED SCREW TAKE-UP FRAMES IMPERIAL PILLOW BLOCK—INCH

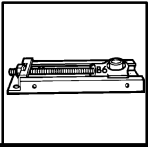
Take-Up Frame Size	Max. Recommended Housing Cap. Loads *(at 90° load angle)
LD10	2100
LD20	3900
LD30	6200
LD40	6200
LD45	9100
LD50	12500

* Consult the Application Engineering Department for loads greater than listed.

In all cases where loads are heavy, the L₁₀ life of the bearing should be checked for proper selection and life requirements.

Bearing Type and Part Numbers									Frame Size	Bore Ref.	Babbitted Solid Journal	Frame Size Ref.
Pillow Block Bores	Spherical				Sleeve							
	Unisphere		Imperial		Solidlube							
	Non-Exp.	Exp.	Non-Exp.	Exp.	LT700	LTB700	LT1000	LTB1000				
3/4	-	-	-	-	033667	032940	033977	032970	LD10	1/2	006102	LD-10
7/8	-	-	-	-	033668	032941	033978	032971		5/8	006104	
15-16	-	-	-	-	033669	032942	033979	032970		3/4	006107	
1	-	-	-	-	033670	032943	033980	032973		7/8	006109	
1-1/8	-	-	-	-	033672	032945	033982	032975		15/16	006110	
1-3/16	-	-	-	-	003673	032946	033983	032976	1	006111		
1-1/4	-	-	-	-	033674	032947	033984	032977	LD20	1-1/8	006113	
1-3/8	-	-	-	-	033676	032949	033986	032979		1-3/16	006114	
1-7/16	048000	048017	048230	048242	033677	032950	033987	032980		1-1/4	006115	
1-1/2	048001	048018	-	-	033678	032951	033988	032981	LD20	1-5/16	006117	
1-11/16	048002	048019	048231	048243	033680	032953	033990	-		1-3/8	006118	-
1-3/4	048003	048020	-	-	033681	032954	033991	032984		1-7/16	006119	-
1-15/16	048004	048021	048232	048244	033682	032955	033992	032985		1-1/2	006120	-
2 SM	048005	048022	048281	048282	033683	032956	033993	032986	LD30	1-11/16	006124	LD-20
2 LG	-	-	048233	048245	-	-	-	-		1-3/4	006125	
2-3/16	048006	048023	048234	048246	033684	032957	033994	032987	LD40	1-15/16	006128	-
2-3/8	-	-	048235	048247	-	-	-	-		2	006129	-
2-7/16	048007	048024	048236	048248	033686	032959	033996	032989		2-3/16	006132	-
2-1/2	048008	048025	-	-	033687	032960	033997	032990		2-7/16	006136	-
2-11/16	048009	048026	048237	048249	-	-	-	-		2-1/2	-	-
2-3/4	048010	048027	048238	048250	-	-	-	-	LD45	2-11/16	006140	-
2-15/16	048011	048028	048239	048251	-	-	-	-		2-3/4	-	-
3	048012	048029	-	-	-	-	-	-		2-15/16	006144	LD-45
2-15/16	-	-	-	-	033688	-	033998	-	3	-		
3	-	-	-	-	033077	-	-	-	LD50	3-3/16	006148	-
3-3/16	-	-	-	-	-	-	-	-		3-7/16	006152	-
3-7/16	048013	048030	048240	048252	-	-	-	-				
3-1/2	048014	048031	-	-	-	-	-	-				
3-15/16	048015	048032	048241	048253	-	-	-	-				
4	048016	048033	-	-	-	-	-	-	-			

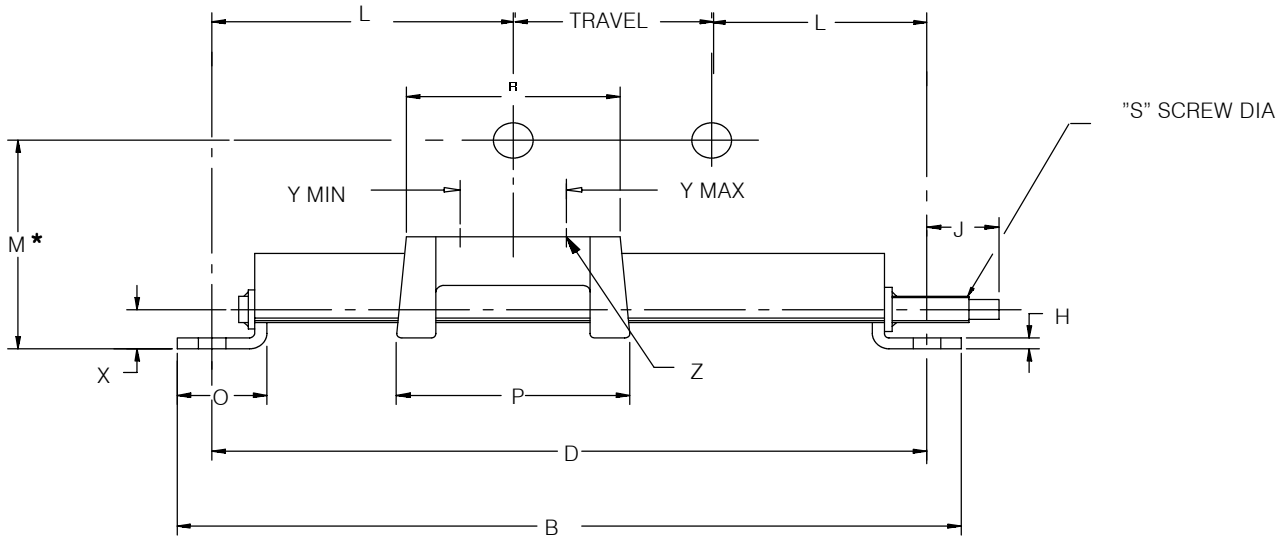
DIMENSIONS SOLIDLUBE PILLOW BLOCKS PAGE B13-20	DIMENSIONS BABBITTED SOLID JRL PILLOW BLOCKS PAGE B13-41	DIMENSIONS LD T.U. FRAME PAGE B13-35
--	--	--



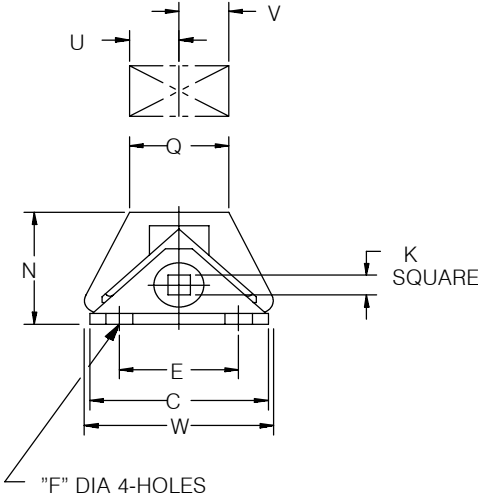
SELECTION/DIMENSIONS

Take-Up Frames-LD

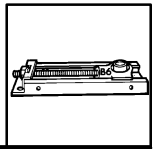
LD PROTECTED SCREW TAKE-UP FRAMES



* $M = N +$ Pillow Block Base to Center Height



FEATURES/BENEFITS PAGE B13-2	HOW TO ORDER/ NOMENCLATURE PAGE B13-6	SELECTION PAGE B13-26	STAINLESS STEEL SCREW PAGE B13-50
---------------------------------	---	--------------------------	--------------------------------------



SELECTION/DIMENSIONS

Take-Up Frames-LD

LD PROTECTED SCREW TAKE-UP FRAMES

Frame Size x Travel	Part No.	Wt.	B	C	D	E	F Bolt Dia.	H	J	K	L	N	O
LD-10x6	039005	10	19-1/2	3-3/4	18	2-1/2	3/8	1/4	9/16	9/16	6	2-3/4	2-1/8
LD-10x9	039006	11	22		20-1/2						5-3/4		
LD-20x6	039007	12	19-1/2		18						6		
LD-20x9	039008	13	22	3-3/4	20-1/2	2-1/2	3/8	1/4	1-3/4	9/16	5-3/4	2-19/32	2-1/8
LD-20x12	039009	14	25		23-1/2						5-3/4		
LD-20x18	039010	17	33-1/2		32						7		
LD-30x12	039011	18	28-1/4	3-3/4	26-3/4	2-1/2	1/2	1/4	1-3/4	9/16	7-3/8	2-11/16	2-1/8
LD-30x18	039012	21	34-1/4		32-3/4						7-3/8		
LD-40x12	039013	25	28-1/4	4-3/4	26-1/2	3	5/8	5/16	1-3/4	9/16	7-1/4	3-3/16	2-1/4
LD-40x18	039014	28	34-1/4		32-1/2						7-1/4		
LD-45x12	039018	50	33-1/4	5	31-1/2	3	3/4	5/16	2	11/16	9-3/4	4-1/8	2-1/2
LD-45x18	039019	55	39-1/4		37-1/2						9-3/4		
LD-50x12	039015	54	33-1/4	5	31-1/2	3	3/4	5/16	2	11/16	9-3/4	4-1/8	2-1/2
LD-50x18	039016	60	39-1/4		37-1/2						9-3/4		
LD-50x24	039017	65	45-1/4		43-1/2						9-3/4		

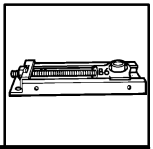
Frame Size x Travel	Part No.	Wt.	P	Q	R	Actual Travel	S Scr. Dia.	W	X	Y Bolt Centers		Z Bolt Dia.	Angle
										Max.	Min.		
LD-10x6	039005	10	5-7/8	1-1/2	5-3/8	9-3/8	3/4	3-1/4	15/16	4-3/8	2-7/8	3/8 x 1-1/2	2 x 2 x 1/4
LD-10x9	039006	11				11-7/8							
LD-20x6	039007	12				7-7/16							
LD-20x9	039008	13	7-3/4	2-1/8	7-1/4	9-15/16	3/4	3-3/4	15/16	6-1/4	4-7/16	1/2 x 2-1/2	2 x 2 x 1/4
LD-20x12	039009	14				12-15/16							
LD-20x18	039010	17				21-7/16							
LD-30x12	039011	18	8-1/2	2-1/4	8	15-13/32	3/4	3-3/4	15/16	7	5-3/4	5/8 x 2-1/2	2 x 2 x 5/16
LD-30x18	039012	21				21-13/32							
LD-40x12	039013	25	9-3/4	2-1/2	9-1/4	14	3/4	4-3/4	1-1/16	7-7/8	6-3/8	5/8 x 3	2-1/2 x 2-1/2 x 5/16
LD-40x18	039014	28				20							
LD-45x12	039018	50	13-1/2	3-1/2	13	14-3/4	1	5-7/8	1-1/4	11-1/4	7-1/4	3/4 x 3-1/2	3 x 3 x 1/2
LD-45x18	039019	55				20-3/4							
LD-50x12	039015	54	13-1/2	3-1/2	13	14-3/4	1	5-7/8	1-1/4	11-7/8	7-5/8	7/8 x 4	3 x 3 x 1/2
LD-50x18	039016	60				20-3/4							
LD-50x24	039017	65				26-3/4							

LD PROTECTED SCREW TAKE-UP FRAMES

Part No.	Description
038910	LD-10x12-TUFR
038911	LD-10x18-TUFR
038912	LD-10x30-TUFR
038913	LD-10x36-TUFR
038914	LD-10x42-TUFR
038915	LD-10x48-TUFR
039003	LD-20x24-TUFR
039002	LD-20x30-TUFR
039043	LD-20x36-TUFR
038916	LD-20x42-TUFR
039044	LD-20x48-TUFR
039084	LD-30x24-TUFR
038917	LD-30x30-TUFR
038918	LD-30x36-TUFR
038919	LD-30x42-TUFR
038920	LD-30x48-TUFR

Part No.	Description
039073	LD-40x24-TUFR
038921	LD-40x30-TUFR
038922	LD-40x36-TUFR
038923	LD-40x42-TUFR
038924	LD-40x48-TUFR
039098	LD-45x12-TUFR
039097	LD-45x24-TUFR
038925	LD-45x30-TUFR
038926	LD-45x36-TUFR
038927	LD-45x42-TUFR
038928	LD-45x48-TUFR
039004	LD-50x6-TUFR
038929	LD-50x30-TUFR
038930	LD-50x36-TUFR
038932	LD-50x48-TUFR

FEATURES/BENEFITS PAGE B13-2	HOW TO ORDER/ NOMENCLATURE PAGE B13-6	SELECTION PAGE B13-26	
---------------------------------	---	--------------------------	--



SELECTION/DIMENSIONS

Take-Up Frames-HD

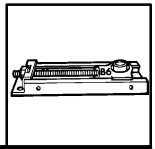
TAPERED ROLLER BEARINGS FOR HD PROTECTED SCREW TAKE-UP FRAMES

Pillow Block Bores	Bearing Description and Part Numbers				Frame Description	Frame Part No.	Pillow Block Bores	Bearing Description and Part Numbers				Frame Description	Frame Part No.
	Type E		TAF 4-bolt *					Type E		TAF 4 bolt*			
	2-bolt	4-bolt *	Non-Exp.	Exp.				2-bolt	4-bolt *	Non-Exp.	Exp.		
1-1/2	023004	-	-	-	HD-200x12-TUFR HD-200x18-TUFR HD-200x24-TUFR HD-200x30-TUFR HD-200x36-TUFR HD-200x48-TUFR	089020 089021 089022 089023 089024 089150	3-3/16	023019	023030	-	-	HD-350x12-TUFR	089154
1-5/8	023005	-	-	-			3-1/4	023020	023031	-	-	HD-350x18-TUFR	089034
1-11/18	023006	-	-	-			3-7/16	023021	023032	023576	023595	HD-350x24-TUFR	089035
1-3/4	023007	-	-	-			3-1/2	023022	023033	023577	023596	HD-350x30-TUFR	089036
1-7/8	023008	-	-	-			3-15/16	-	-	023578	023597	HD-350x36-TUFR	089037
1-15/16	023009	-	-	-			4	-	-	023579	023598	HD-350x48-TUFR	089038
2	023010	-	-	-			3-15/16	-	023034	-	-	HD-400x12-TUFR	089155
2-3/16	023011	-	-	-			4	-	023035	-	-	HD-400x18-TUFR	089039
2-1/4	023012	023023	-	-			4-7/16	-	023036	023580	023599	HD-400x24-TUFR	089040
2-7/16	023013	023024	023572	023591			4-1/2	-	023037	023581	023600	HD-400x30-TUFR	089041
2-1/2	023014	023025	023573	023592			4-15/16	-	023038	023582	023601	HD-400x36-TUFR	089042
2-1/4	-	-	-	-			5	-	023039	023583	023602	HD-400x48-TUFR	089043
2-7/16	-	-	-	-			4-15/16	-	-	-	-	HD-500x12-TUFR	089156
2-1/2	-	-	-	-	5	-	-	-	-	HD-500x18-TUFR	089044		
2-11/16	023015	023026	-	-	5-7/16	-	023040	023584	023603	HD-500x24-TUFR	089045		
2-3/4	023016	023027	-	-	5-15/16	-	023041	-	-	HD-500x30-TUFR	089046		
2-15/16	023017	023028	023574	023593	6	-	023042	-	-	HD-500x36-TUFR	089047		
3	023018	023029	023575	023594						HD-500x48-TUFR	089048		

Pillow Block Bores	Bearing Description and Part Numbers						Frame Description	Frame Part No.		
	Type K		DOUBLE INTERLOCK							
	2-bolt		2-bolt		4-bolt *					
	Non-Exp.	Exp.	Non-Exp.	Exp.	Non-Exp.	Exp.				
1-1/2	023171	023193	023332	023379	-	-	HD-200x12-TUFR HD-200x18-TUFR HD-200x24-TUFR HD-200x30-TUFR HD-200x36-TUFR HD-200x48-TUFR	089020 089021 089022 089023 089024 089150		
1-5/8	023172	023194	023333	023380	-	-				
1-11/18	023173	023195	023334	023381	-	-				
1-3/4	023174	023196=	023335	023382	-	-				
1-7/8	-	-	023336	023383	-	-				
1-15/16	023175	023197	023337	023384	-	-				
2	023176	023198	023338	023385	-	-				
2-3/16	023177	023199	023339	023386	-	-				
2-1/4	-	-	-	-	-	-				
2-7/16	-	-	-	-	-	-				
2-1/2	-	-	-	-	-	-				
2-1/4	023178	023200	023340	023387	023351	023398			HD-250x12-TUFR	089151
2-7/16	023179	023201	023341	023388	023352	023399			HD-250x18-TUFR	089025
2-1/2	023180	023202	023342	023389	023353	023400	HD-250x24-TUFR	089026		
2-11/16	-	-	-	-	-	-	HD-250x30-TUFR	089027		
2-3/4	-	-	-	-	-	-	HD-250x36-TUFR	089028		
2-15/16	-	-	-	-	-	-	HD-250x48-TUFR	089152		
3	-	-	-	-	-	-				
2-11/16	023181	023203	023343	023390	023354	023401	HD-300x12-TUFR	089153		
2-3/4	023182	023204	023344	023391	023355	023402	HD-300x18-TUFR	089029		
2-15/16	023183	023205	023345	023392	023356	023403	HD-300x24-TUFR	089030		
3	023184	023206	023346	023393	023357	023404	HD-300x30-TUFR	089031		
							HD-300x36-TUFR	089032		
							HD-300x48-TUFR	089033		
3-3/16	023185	023207	023347	023394	023358	023405	HD-350x12-TUFR	089154		
3-1/4	-	-	023348	023395	023359	023406	HD-350x18-TUFR	089034		
3-7/16	023186	023208	023349	023396	023360	023407	HD-350x24-TUFR	089035		
3-1/2	023187	023209	023350	023397	023361	023408	HD-350x30-TUFR	089036		
3-15/16	-	-	-	-	-	-	HD-350x36-TUFR	089037		
4	-	-	-	-	-	-	HD-350x48-TUFR	089038		
3-15/16	023188	023210	-	-	023362	023409	HD-400x12-TUFR	089155		
4	-	-	-	-	023363	023410	HD-400x18-TUFR	089039		
4-7/16	-	-	-	-	023364	023411	HD-400x24-TUFR	089040		
4-1/2	-	-	-	-	023365	023412	HD-400x30-TUFR	089041		
4-15/16	-	-	-	-	-	-	HD-400x36-TUFR	089042		
5	-	-	-	-	-	-	HD-400x48-TUFR	089043		
4-15/16	-	-	-	-	023366	023413	HD-500x12-TUFR	089156		
5	-	-	-	-	023367	023414	HD-500x18-TUFR	089044		
5-7/16	-	-	-	-	-	-	HD-500x24-TUFR	089045		
5-15/16	-	-	-	-	-	-	HD-500x30-TUFR	089046		
6	-	-	-	-	-	-	HD-500x36-TUFR	089047		
							HD-500x48-TUFR	089048		

* Saddle must be drilled and tapped for 4-bolt pillow blocks. Refer to Page B13-6

DIMENSIONS TYPE E PILLOW BLOCKS PAGE B5-22	DIMENSIONS TAF PILLOW BLOCKS PAGE B5-52	DIMENSIONS TYPE K & D.I. PILLOW BLOCKS PAGE B5-34 & B5-44	DIMENSIONS HD T.U. FRAME PAGE B13-42
--	---	---	--



SELECTION/DIMENSIONS

Take-Up Frames-HD

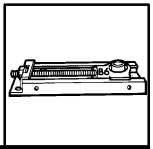
TAPERED ROLLER BEARINGS FOR HD PROTECTED SCREW TAKE-UP FRAMES

Pillow Block Bores	Type C				Special Duty				All Steel		Frame Description	Frame Part No.
	2-bolt		4-bolt *		2-bolt		4-bolt *		4-bolt *			
	Non-Exp.	Exp.	Non-Exp.	Exp.	Non-Exp.	Exp.	Non-Exp.	Exp.	Non-Exp.	Exp.		
1-9/16	-	-	-	-	066212	066248	-	-	-	-	HD-200x12-TUFR HD-200x18-TUFR HD-200x24-TUFR HD-200x30-TUFR HD-200x36-TUFR HD-200x48-TUFR	089020
1-5/8	-	-	-	-	066228	066243	-	-	-	-		089021
1-11/16	065291	087181	-	-	066216	066252	-	-	-	-		089022
1-3/4	065238	087172	-	-	066301	066307	-	-	-	-		089023
1-7/8	-	-	-	-	066217	066253	-	-	-	-		089024
1-15/16	065292	087182	-	-	066218	066254	-	-	-	-		089150
2	-	-	-	-	066302	066308	-	-	-	-		
2	065313	087265	-	-	-	-	-	-	-	-		
2-1/8	-	-	-	-	066215	066257	-	-	-	-		
2-3/16	065293	087183	-	-	066220	066256	-	-	-	-		
2-1/4	065314	087266	-	-	066303	066309	-	-	-	-		
2-3/8	065242	087176	065219	087154	066221	066259	066360	066400	-	-	HD-250x12-TUFR	089151
2-7/16	065294	087184	087191	087191	066222	066258	066224	066260	-	-	HD-250x18-TUFR	089025
2-1/2	-	-	-	-	066246	066247	066244	066245	-	-	HD-250x24-TUFR	089026
2-11/16	-	-	-	-	-	-	-	-	063359	063389	HD-250x30-TUFR	089027
2-3/4	-	-	-	-	-	-	-	-	-	-	HD-250x36-TUFR	089028
2-13/16	-	-	-	-	-	-	-	-	-	-	HD-250x48-TUFR	089152
2-7/8	-	-	-	-	-	-	-	-	-	-		
2-15/16	-	-	-	-	-	-	-	-	063360	063390		
3	-	-	-	-	-	-	-	-	063361	063411		
2-3/8	065242	087176	-	-	066221	066259	-	-	-	-		
2-7/16	065294	087184	-	-	066222	066258	-	-	-	-		
2-1/2	065315	087267	065218	087151	066246	066247	-	-	-	-		
2-5/8	-	-	-	-	066223	066262	066361	066401	-	-		
2-11/16	065295	087185	065217	087152	066304	066310	066225	066261	-	-	HD-300x12-TUFR	089153
2-3/4	-	-	-	-	066226	066263	066363	066403	-	-	HD-300x18-TUFR	089029
2-13/16	-	-	-	-	066227	066264	066364	066404	-	-	HD-300x24-TUFR	089030
2-7/8	065244	087178	065221	087156	066229	066265	066365	066405	-	-	HD-300x30-TUFR	089031
2-15/16	065296	087186	065302	087192	066230	066266	066231	066268	-	-	HD-300x36-TUFR	089032
3	-	-	-	-	066305	066311	066366	066406	-	-	HD-300x48-TUFR	089033
3-1/4	-	-	-	-	-	-	-	-	063383	063391		
3-3/8	-	-	-	-	-	-	-	-	-	-		
3-7/16	-	-	-	-	-	-	-	-	063362	063392		
3-1/2	-	-	-	-	-	-	-	-	063363	063393		
3	065316	087268	065231	087153	-	-	-	-	-	-		
3-3/16	065317	087269	065232	087168	066232	066269	066367	066407	-	-	HD-350x12-TUFR	089154
3-1/4	065245=	087179	065222	087157	066233	066251	066368	066408	-	-	HD-350x18-TUFR	089034
3-3/8	-	-	-	-	066237	066271	066370	066410	-	-	HD-350x24-TUFR	089035
3-7/16	065297	087187	065303	087193	066234	066270	066235	066272	-	-	HD-350x30-TUFR	089036
3-1/2	-	-	-	-	066236	066273	066371	066411	-	-	HD-350x36-TUFR	089037
3-15/16	-	-	-	-	-	-	-	-	063364	063394	HD-350x48-TUFR	089038
4	-	-	-	-	-	-	-	-	063365	063395		
3-1/2	-	-	065223	087158	-	-	-	-	-	-		
3-11/16	-	-	065224	087159	-	-	066372	066412	-	-		
3-3/4	-	-	065225	087160	-	-	066373	066413	-	-	HD-400x12-TUFR	089155
3-7/9	-	-	065226	087161	-	-	066374	066414	-	-	HD-400x18-TUFR	089039
3-15/16	-	-	065298	087188	-	-	066238	066274	-	-	HD-400x24-TUFR	089040
4	-	-	065227	087162	-	-	066375	066415	-	-	HD-400x30-TUFR	089041
4-7/16	-	-	-	-	-	-	-	-	063366	063396	HD-400x36-TUFR	089042
4-1/2	-	-	-	-	-	-	-	-	063367	063397	HD-400x48-TUFR	089043
4-15/16	-	-	-	-	-	-	-	-	063368	063398		
5	-	-	-	-	-	-	-	-	063369	063399		
4-7/16	-	-	065299	087189	-	-	066240	066276	-	-	HD-500x12-TUFR	089156
4-1/2	-	-	065229	087164	-	-	066377	066417	-	-	HD-500x18-TUFR	089044
4-15/16	-	-	065300	087190	-	-	066242	066278	-	-	HD-500x24-TUFR	089045
5	-	-	068230	087165	-	-	066378	066418	-	-	HD-500x30-TUFR	089046
5-7/16	-	-	-	-	-	-	-	-	063370	063400	HD-500x36-TUFR	089047
5-15/16	-	-	-	-	-	-	-	-	063372	063402	HD-500x48-TUFR	089048
6	-	-	-	-	-	-	-	-	063373	063403		

* Saddle must be drilled and tapped for 4-bolt pillow blocks. Refer to Page B13-6

DIMENSIONS TYPE C PILLOW BLOCKS PAGE B6-8	DIMENSIONS SPECIAL DUTY PILLOW BLOCKS PAGE B6-25	DIMENSIONS ALL STEEL PILLOW BLOCKS PAGE B6-51	DIMENSIONS HD T.U. FRAME PAGE B13-42
---	--	---	--

SELECTION/DIMENSIONS



Take-Up Frames–HD

SLEEVE BEARINGS FOR HD PROTECTED SCREW TAKE-UP FRAMES

Pillow Block Bores	Bearing Description and Part Numbers Solidlube		Frame Description	Frame Part Number
	MM700	MM1000		
3-7/16 3-1/2	033247 033251	033347 033351	HD-250x12-TUFR HD-250x18-TUFR HD-250x24-TUFR HD-250x30-TUFR HD-250x36-TUFR HD-250x48-TUFR	089151 089025 089026 089027 089028 089152
3-15/16 4	033475 033485	033480 033490	HD-300x12-TUFR HD-300x18-TUFR HD-300x24-TUFR HD-300x30-TUFR HD-300x36-TUFR HD-300x48-TUFR	089153 089029 089030 089031 089032 089033

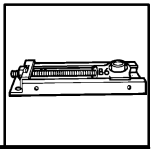
Pillow Block Bores	Bearing Description and Part Numbers Solidlube		Frame Description	Frame Part Number
	MM700	MM1000		
4-7/16 4-1/2	033500 033510	033505 033515	HD-350x12-TUFR HD-350x18-TUFR HD-350x24-TUFR HD-350x30-TUFR HD-350x36-TUFR HD-350x48-TUFR	089154 089034 089035 089036 089037 089038
4-15/16 4	033525 033535	033530 033540	HD-400x12-TUFR HD-400x18-TUFR HD-400x24-TUFR HD-400x30-TUFR HD-400x36-TUFR HD-400x48-TUFR	089155* 089039* 089040* 089041* 089042* 089043*

Pillow Block Bores	Angle Babbitted	Angle Bronze	Frame Description	Frame Part Number *
1-15/16 2-3/16 2-7/16	230050 230053 230056	231063 231069 231075	HD-200x12-TUFR HD-200x18-TUFR HD-200x24-TUFR HD-200x30-TUFR HD-200x36-TUFR HD-200x48-TUFR	089020 089021 089022 089023 089024 089150
2-11/16 2-15/16	230059 230062	231081 231087	HD-250x12-TUFR HD-250x18-TUFR HD-250x24-TUFR HD-250x30-TUFR HD-250x36-TUFR HD-250x48-TUFR	089151 089025 089026 089027 089028 089152
3-7/16	230065	231096	HD-300x12-TUFR HD-300x18-TUFR HD-300x24-TUFR HD-300x30-TUFR HD-300x36-TUFR HD-300x48-TUFR	089153 089029 089030 089031 089032 089033

Pillow Block Bores	Angle Babbitted	Angle Bronze	Frame Description	Frame Part Number*
3-15/16	230068	231102	HD-350x12-TUFR HD-350x18-TUFR HD-350x24-TUFR HD-350x30-TUFR HD-350x36-TUFR HD-350x48-TUFR	089154 089034 089035 089036 089037 089038
4-7/16 4-15/16	230071 230074	231108 231114	HD-400x12-TUFR HD-400x18-TUFR HD-400x24-TUFR HD-400x30-TUFR HD-400x36-TUFR HD-400x48-TUFR	089155 089039 089040 089041 089042 089043
5-7/16 5-15/16	230077 230080	231120 231126	HD-500x12-TUFR HD-500x18-TUFR HD-500x24-TUFR HD-500x30-TUFR HD-500x36-TUFR HD-500x48-TUFR	089156 089044 089045 089046 089047 089048

* Saddle must be drilled and tapped for 4-bolt pillow blocks. Refer to Page B13-6

DIMENSIONS SAF-XT PILLOW BLOCKS PAGE B9-73	DIMENSIONS SAFS PILLOW BLOCKS PAGE B9-72	DIMENSIONS ANGLE BABBITTED & BRONZE PILLOW BLOCKS PAGE B11-10	DIMENSIONS HD T.U. FRAME PAGE B13-42
--	--	---	--



SELECTION/DIMENSIONS

Take-Up Frames-HD

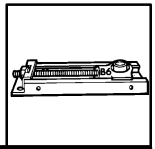
SPHERICAL ROLLER BEARINGS FOR HD PROTECTED SCREW TAKE-UP FRAMES

Bore Ref.	S2000R (S2R Seals)				S2000S (S2S Seals)				Frame Description	Frame Part Number		
	2-Bolt		4-Bolt *		2-Bolt		4-Bolt *					
	Non-Exp.	Exp.	Non-Exp.	Exp.	Non-Exp.	Exp.	Non-Exp.	Exp.				
1-1/2	044608	044636	-	-	045050	045075	-	-	HD-200x12-TUFR HD-200x18-TUFR HD-200x24-TUFR HD-200x30-TUFR HD-200x36-TUFR HD-200x48-TUFR	089020 089021 089022 089023 089024 089150		
1-3/16	044609	044637	-	-	045051	045076	-	-				
1-1/4	044610	044638	-	-	045052	045077	-	-				
1-3/8	044611	044639	-	-	045053	045078	-	-				
1-7/16	044612	044640	-	-	045054	045079	-	-				
1-1/2	044613	044641	-	-	045055	045080	-	-				
1-5/8	044614	044642	-	-	045056	045081	-	-				
1-11/16	044615	044643	-	-	045057	045082	-	-				
1-3/4	044616	044644	-	-	045058	045083	-	-				
1-7/8	044617	044645	044664	044687	045059	045084	045100	045116				
1-15/16	044618	044646	044665	044688	045060	045085	045101	045117				
2	044619	044647	044666	044689	045061	045086	045102	045118				
2-3/16	044620	044648	044667	044690	045062	045087	045103	045119				
2-1/4	044021	044649	044668	044691	045063	045088	045104	045120				
2-3/8	044622	044650	044669	044692	045064	045089	045105	045121				
2-7/16	044623	044651	044670	044693	045065	045090	045106	045122				
2-1/2	044624	044652	044671	044694	045066	045091	045107	045123				
2-11/16	044625	044653	044672	044695	045067	045092	045108	045124			HD-250x12-TUFR HD-250x18-TUFR HD-250x24-TUFR HD-250x30-TUFR HD-250x36-TUFR HD-250x48-TUFR	089151 089025 089026 089027 089028 089152
2-3/4	044626	044654	044673	044696	045068	045093	045109	045125				
2-15/16	044627	044655	044674	044697	045069	045094	045110	045126				
3	044628	044656	044675	044698	045070	045095	045111	045127				
3-3/16	044629	044657	044676	044699	045071	045096	045112	045128			HD-300x12-TUFR HD-300x18-TUFR HD-300x24-TUFR HD-300x30-TUFR HD-300x36-TUFR HD-300x48-TUFR	089153 089029 089030 089031 089032 089033
3-1/4	044630	044658	044677	044700	045072	045097	045113	045129				
3-7/16	044631	044659	044678	044701	045073	045098	045114	045130				
3-1/2	044632	044660	044679	044702	045074	045099	045115	045131				
3-11/16	044633	044661	044680	044703	042758	042783	043031	043006	HD-350x12-TUFR HD-350x18-TUFR HD-350x24-TUFR HD-350x30-TUFR HD-350x36-TUFR HD-350x48-TUFR	089154 089034 089035 089036 089037 089038		
3-15/16	044634	044662	044681	044704	042759	042784	043032	043007				
4	044635	044663	044682	044705	042760	042785	043033	043008				
4-7/16	-	-	044683	044706	-	-	043034	043009				
4-1/2	-	-	044684	044707	-	-	043035	043010				
4-15/16	-	-	044685	044708	-	-	043036	043011	HD-400x12-TUFR HD-400x18-TUFR HD-400x24-TUFR HD-400x30-TUFR HD-400x36-TUFR HD-400x48-TUFR	089155 089039 089040 089041 089042 089043		
5	-	-	044686	044709	-	-	043037	043012				

Bore Ref.	Bearing Description and Part Numbers				Frame Size
	Imperial 2-Bolt		Unisphere 2-Bolt		
	Non-Exp.	Exp.	Non-Exp.	Exp.	
1-7/16	048230	048242	048000	048017	-
1-1/2			048001	048018	-
1-11/16	048231	048243	048002	048019	-
1-3/4			048003	048020	-
1-15/16	048232	048244	048004	048021	HD200
2 SM	048281	048282	048005	048022	HD200
2 LG	048233	048245			HD200
2-3/16	048234	048246	048006	048023	HD200
2-3/8	048235	048247			HD200
2-7/16	048236	048248	048007	048024	HD200
2-1/2			048008	048025	HD200
2-11/16	048237	048249	048009	048026	HD250
2-3/4	048238	048250	048010	048027	HD250
2-15/16	048239	048251	048011	048028	HD250
3			048012	048029	HD250
3-7/16	048240	048252	048013	048030	HD300
3-1/2			048014	048031	HD300
3-15/16	048241	048253	048015	048032	HD350
4			048016	048033	HD350

* Saddle must be drilled and tapped for 4-bolt pillow blocks. Refer to Page B13-6

DIMENSIONS S2000 PILLLOW BLOCKS PAGE B7-18	DIMENSIONS UNISPHERE II PILLLOW BLOCKS. PAGE B7-34	DIMENSIONS HD T.U. FRAME PAGE B13-42	
--	--	--	--



SELECTION/DIMENSIONS

Take-Up Frames–HD

SPHERICAL ROLLER AND SLEEVE BEARINGS FOR HD PROTECTED SCREW TAKE-UP FRAMES

SHAFT SIZE IN.	SAF-XT		USAF 500		SAFS		FRAME SIZE
	Complete		Complete		Complete		
	2-Bolt	4-Bolt*	2-Bolt	4-Bolt*	2-Bolt	4-Bolt*	
1-15/16	042001		043248				HD-200
2-3/16	042002		043249	039579			HD-200
2-7/16	042003	042015	041860	041861	042400	042410	HD-250
2-1/2	042004	042016	041862	041863	042401	042411	HD-250
2-11/16	042005	042017	042406	044015			HD-250
2-3/4	042006	042030	042409	042423			HD-250
2-15/16	042007	042019	041864	041865	042402	042412	HD-250
3	042008	042020	041866	041867	042403	042413	HD-250
3-3/16	042009	042021	042022	044115			HD-300
3-7/16	042010	042022	041868	041869	042404	042414	HD-350
3-1/2	042011	042023	041870	041871	042405	042415	HD-350

SHAFT SIZE IN.	SAF-XT		USAF 500		SAFS		FRAME SIZE
	Complete		Complete		Complete		
	2-Bolt	4-Bolt*	2-Bolt	4-Bolt*	2-Bolt	4-Bolt*	
3-15/16		042024		041872		042416	HD-400
4		042025		041873		042417	HD-400
4-3/16		042270		042431			HD-400
4-7/16		042271		041874		042568	HD-400
4-1/2		042272		041875		042575	HD-400
415/16		042273		041876		042569	HD-500
5		042274		041877		042576	HD-500
5-3/16		042282		042438		042282	HD-500
5-7/16		042283		041878		042283	HD-500
5-1/2		042284		041879		042284	HD-500

SHAFT SIZE, IN.	USAF 600		SHAFT SIZE,mm	USAF 200		SHAFT SIZE,mm	USAF 300		FRAME SIZE
	Complete			Complete			Complete		
	2-Bolt	4-Bolt*		2-Bolt	4-Bolt*		2-Bolt	4-Bolt*	
1-15/16	039404	039413	75	039682	039684	45	039356		HD-200
			80	039686	039688	65	039359	039373	HD-200
2-3/16	039405	039414	85	039690	039692				HD-250
			90	039694	039696	75	039361	039375	HD-250
2-7/16	039406	039415	100	039698	039700	85	039362	039376	HD-250
2-15/16	039407	039416	110		039702				HD-300
			120		039704	100		039377	HD-350
			130		039706	110		039378	HD-350
			140		039708				HD-400
			150		039710	120		039380	HD-400
			160		039711	130		039381	HD-400

IMPERIAL PILLOW BLOCK – INCH

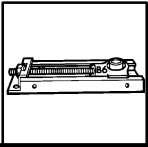
Pillow Block Bores	Bearing Description and Part Number		Frame Size
	Imperial 4-Bolt *		
	Non. Exp.	Exp.	
2-7/16	048882	048890	HD200
2-11/16	048883	048891	HD250
2-3/4	048884	048892	HD250
2-15/16	048885	048893	HD250
3-7/16	048886	048894	HD300
3-15/16	048887	048895	HD350
4-7/16	048888	048896	HD350
4-15/16	048889	048897	HD400

* Saddle must be drilled and tapped for 4-bolt pillow blocks. Refer to Page B13-6

Take-Up Frame Size	Maximum Recommended Housing Cap. Loads ** (at 90° load angle)
HD200	2800
HD250	4200
HD300	4200
HD350	3500
HD400	...
HD500	...

** Consult the Application Engineering Department for loads greater than listed. In all cases where loads are heavy, the L₁₀ life of the bearing should be checked for proper selection and life requirements. For large bore bearings, consult DODGE.

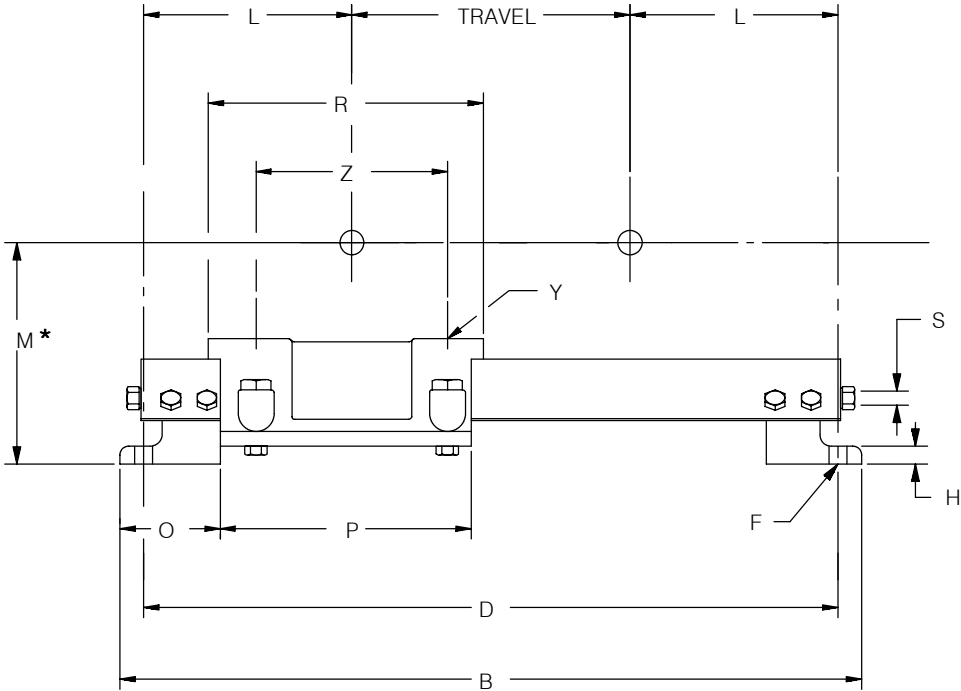
DIMENSIONS SAF-XT, & SAFX PILLOW BLOCKS PAGE B9-77	DIMENSIONS USAF PILLOW BLOCKS PAGE B9-82	DIMENSIONS MM SOLIDLUBE PILLOW BLOCKS PAGE B11-52	DIMENSIONS HD T.U. FRAME PAGE B13-42
--	--	---	--



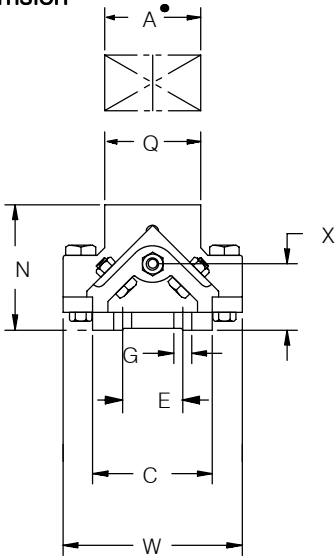
SELECTION/DIMENSIONS

Take-Up Frames-HD

HD PROTECTED SCREW TAKE-UP FRAMES

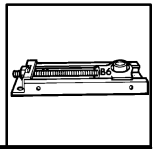


- * $M = N + \text{Pillow Block Base to Center Dimension}$
- LTB of Pillow Block



FEATURES/BENEFITS PAGE B13-2	HOW TO ORDER/ NOMENCLATURE PAGE B13-6	SELECTION PAGE B13-37	
---------------------------------	---	--------------------------	--

SELECTION/DIMENSIONS



Take-Up Frames–HD

HD PROTECTED SCREW TAKE-UP FRAMES

Frame Size	Travel	Part No. **	Frame Wt.	B	C	D
HD-200*	12	089020	79	31	5	29
	18	089021	82	37		35
	24	089022	90	43		41
	30	089023	95	47		47
	36	089024	100	55		53
	48	089150	110	67		65
HD-250*	12	089151	115	35-1/4	6	32-3/4
	18	089025	125	41-1/4		38-3/4
	24	089026	135	47-1/4		44-3/4
	30	089027	137	53-1/4		50-3/4
	36	089028	143	59-1/4		56-3/4
	48	089152	153	71-1/4		68-3/4
HD-300*	12	089153	175	38-1/4	6-1/2	35-1/2
	18	089029	184	44-1/4		41-1/2
	24	089030	194	50-1/4		47-1/2
	30	089031	206	56-1/4		53-1/2
	36	089032	214	62-1/4		59-1/2
	48	089033	240	74-1/4		71-1/2
HD-350*	12	089154	195	40	6-1/2	37-1/4
	18	089034	204	46		43-1/4
	24	089035	212	52		49-1/4
	30	089036	220	58		55-1/4
	36	089037	234	64		61-1/4
	48	089038	250	76		73-1/4
HD-400	12	089155	340	44	6-1/2	41-1/4
	18	089039	350	50		47-1/4
	24	089040	360	56		53-1/4
	30	089041	370	62		59-1/4
	36	089042	380	68		65-1/4
	48	089043	400	80		77-1/4
HD-500	12	089156	420	49-1/2	7	47
	18	089044	440	55-1/2		53
	24	089045	460	61-1/2		59
	30	089046	480	67-1/2		65
	36	089047	500	73-1/2		71
	48	089048	530	85-1/2		83
60	089604	560	97-1/2	95		

Frame Size	E	F Bolt Dia.	G Dia.	H	L	N	O	P	Saddle* Dimensions		S Scr. Dia.	W	X	Y Bolt Dia.	Z	
									Q	R					Max.	Min.
HD-200	2-1/2	5/8	3/4	3/4	8-1/2	5-1/4	4	11	4	11	1	7-1/2	2-9/16	5/8	9-1/16	5-15/16
HD-250	3	5/8	3/4	3/4	10-3/8	6-1/4	5	13-1/4	4-1/2	13	1	8-1/4	3-1/4	3/4	10-7/8	7-5/8
HD-300	3	3/4	7/8	7/8	11-3/4	7	6	14-1/4	5	14	1-1/4	10	3-1/2	3/4	11-5/8	9-1/4
HD-350	3	3/4	7/8	7/8	12-5/8	7	6	16	6	17	1-1/4	10	3-1/2	7/8	13-11/16	10-3/4
HD-400	3	3/4	7/8	7/8	14-5/8	7	6	20	7-1/4	20	1-1/4	10	3-1/2	◆	◆	◆
HD-500	4	7/8	1	1	17-1/2	7-3/4	6-3/4	23-1/2	8-1/2	23-1/2	1-1/2	12-1/2	3-21/32	◆	◆	◆

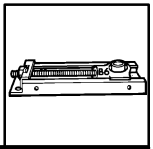
Consult DODGE for HD600 and HD650 Take-up Frames, for large bore bearings.

◆ Solid saddle must be drilled and tapped per order

* Saddle is slotted to receive 2-bolt blocks.

** For 4-bolt pillow blocks, all HD frames must be drilled and tapped per order. Refer to Page B13-6.

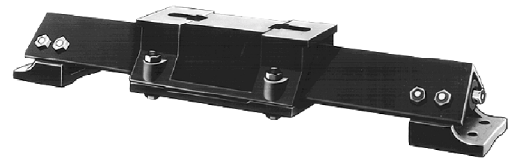
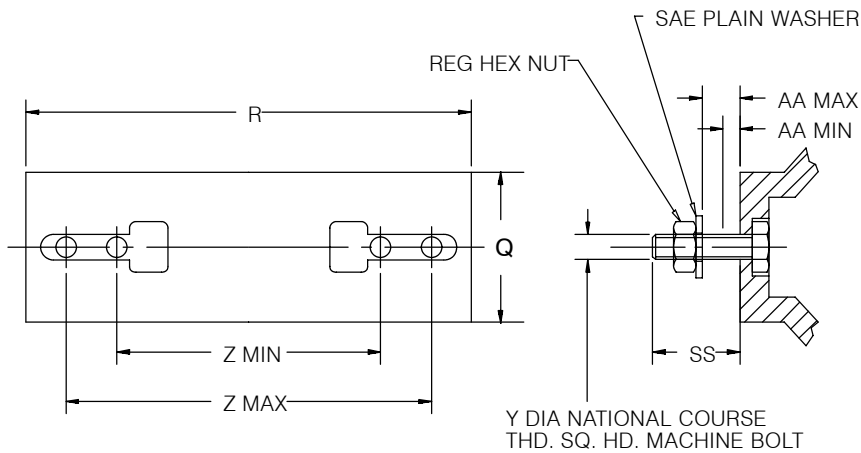
FEATURES/BENEFITS PAGE B13-2	HOW TO ORDER/ NOMENCLATURE PAGE B13-6	SELECTION PAGE B13-37	
---------------------------------	---	--------------------------	--



SELECTION/DIMENSIONS

Take-Up Frames-HD

USING HD PROTECTED SCREW TAKE-UP FRAMES FOR BEARINGS OTHER THAN DODGE



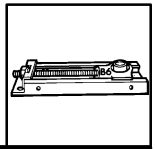
Slotted saddle type HD frames (200 through 350 sizes) may be used with 2-bolt pillow blocks other than Dodge pillow blocks listed in tables on previous pages. The dimensions shown below are listed to determine whether frame is applicable to this type of application.

Frame Size	AA		Saddle Dimensions	
	Min.	Max.	Q	R
HD-200	2	3-1/64	4	11
HD-250	2-5/8	3-13/16	4-1/2	13
HD-300	2-31/32	4-5/32	5	14
HD-350	2-27/32	4-11/16	6	17

Frame Size	Y			SS	Z Bolt Centers	
	Bearing hold down bolts				Max.	Min.
	Diameter	Part Number	Length Under Head			
HD-200	5/8-11	416173	4	3-5/8	9-7/16	5-15/16
HD-250	3/4-10	416229	5	4-17/32	10-7/8	7-5/8
HD-300	3/4-10	416231	5-1/2	4-7/8	11-5/8	9-1/4
HD-350	7/8-9	416275	5-1/2	5	13-11/16	10-3/4

Note: The Pillow Blocks must use the bolt shown and have the capability of mounting between the Z bolt centers. The height of the mounting bolt pad must be within the AA dimensions.

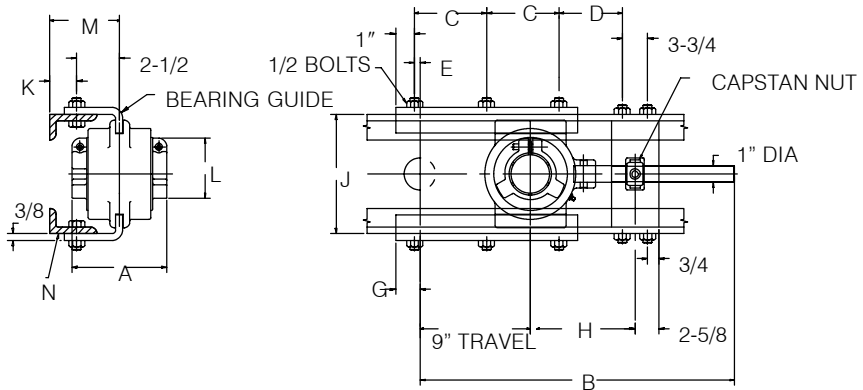
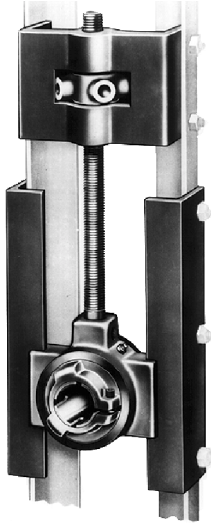
FEATURES/BENEFITS PAGE B13-2	HOW TO ORDER/ NOMENCLATURE PAGE B13-6	DIMENSIONS HD T.U. FRAME PAGE B13-42	
---------------------------------	---	--	--



SELECTION/DIMENSIONS

Take-Up Frames—Type C

TYPE C ELEVATOR BOOT TAKE-UP FRAME WITH TAPERED ROLLER BEARINGS

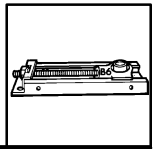


TYPE C ELEVATOR BOOT TAKE-UPS

Shaft Size	Complete Take-Ups		Take-Up Bearings		Frame Assembly		A	B	C	D	E	G	H	J	K	L	M	N
	Wt.	Part No.	Wt.	Part No.	Wt.	Wt.												
1-3/16	49.0	036112	13.2	036108	35.8	4-1/2	18-5/16	6	3-7/8	1-3/4	2-3/4	7	8	1-1/8	3	3-5/8	2 x 2 x 1/4	2 x 2 x 1/4
1-1/4	48.8	036113	13.0															
1-5/16	48.6	036114	12.8															
1-7/16	47.8	036116	12.0															
1-1/2	51.8	036054	16.0			5-1/4	18-5/16	6	3-7/8	1-3/4	2-3/4	7	8	1-1/8	3-3/8	3-5/8	2 x 2 x 1/4	2 x 2 x 1/4
1-11/16	51.1	036117	15.3															
1-3/4	50.9	036056	15.1															
1-15/16	53.3	036118	17.5															
2	62.0	036057	26.2			5-3/4	18-13/16	6	3-7/8	1-3/4	2-3/4	7	8	1-1/8	4-1/4	4-1/4	2 x 2 x 1/4	2 x 2 x 1/4
2-3/16	61.8	036119	26.0															
2-1/4	61.6	036059	25.8															
2-3/8	63.3	036060	27.5															
2-7/16	63.0	036120	27.2			6	18-13/16	6	3-7/8	1-3/4	2-3/4	7	8	1-1/8	4-17/32	4-17/32	2 x 2 x 1/4	2 x 2 x 1/4
2-1/2	75.8	036061	40.0															
2-11/16	73.5	036063	37.7															
2-7/8	73.0	036064	37.2															
2-15/16	72.5	036121	36.7	6-1/2	19	6	1-1/2	2-1/2	2-1/2	7-3/4	9	1-3/4	5-7/16	5-7/16	3 x 2 x 3/8	3 x 2 x 3/8		
2-11/16	73.5	036063	37.7															
2-7/8	73.0	036064	37.2															
2-15/16	72.5	036121	36.7															

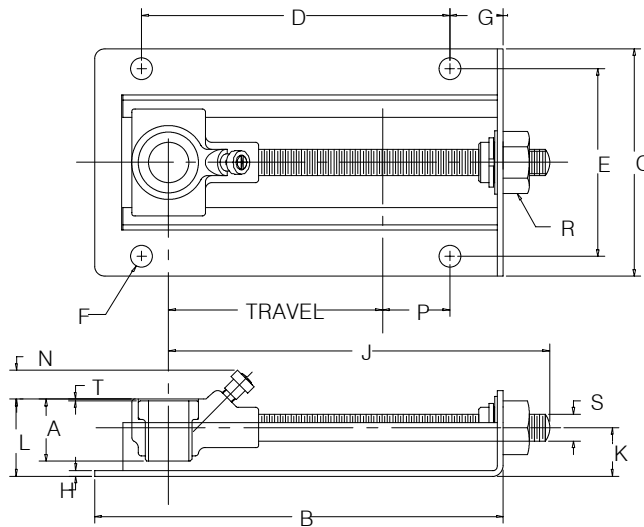
NOTE: Quantity two of P/N 036246 plus quantity one of P/N 036108 is P/N 036109

FEATURES/BENEFITS PAGE B13-2	HOW TO ORDER/ NOMENCLATURE PAGE B13-6	SELECTION PAGE B13-45	
---------------------------------	---	--------------------------	--



SELECTION/DIMENSIONS

Take-Up Frames-**BRONZOIL**®



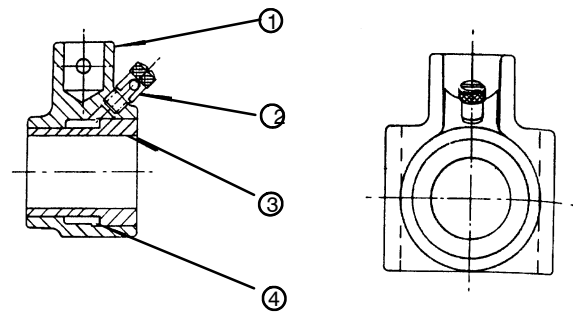
BRONZOIL TAKE-UPS (INCLUDES FRAME AND TAKE-UP BEARING)

Shaft Size X Travel	Part Number	Description	Wt.	A	B	C	D	E
1/2 x 4	034020	BOTU-008X4	1.9	1-3/16	7-5/8	4-1/4	5-3/4	3-1/2
5/8 x 4	034021	BOTU-010X4	1.8					
3/4 x 4	034022	BOTU-012X4	1.7					
7/8 x 4	034023	BOTU-014X4	2.1	1-9/16	7-5/8	4-1/4	5-3/4	3-1/2
15/16 x 4	034024	BOTU-015X4	2.0					
1 x 4	034025	BOTU-100X4	1.9					

Shaft Size X Travel	F Bolt Dia.	G	H	J	K	L	N	P	R Hex. Size	S	T
1/2 x 4 5/8 x 4 3/4 x 4	3/8	1	7/64	7-1/8	29/32	1-7/16	1/2	1-1/4	1	1/2	1/16
7/8 x 4 15/16 x 4 1 x 4	3/8	1	7/64	7-1/8	29/32	1-5/8	5/16	1-1/4	1	1/2	1/16

BRONZOIL Take-Up Bearing Assembly

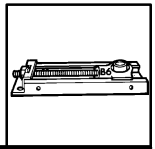
Size	(TUBO---) Assy. No	1	2	3	4
1/2	034030	034001	405046	034013	444010
5/8	034031	034001	405046	034014	444010
3/4	034032	034001	405046	034015	444010
7/8	034033	034002	405046	034016	444010
15/18	034034	034002	405046	034017	444010
1	034035	034002	405046	034018	444010



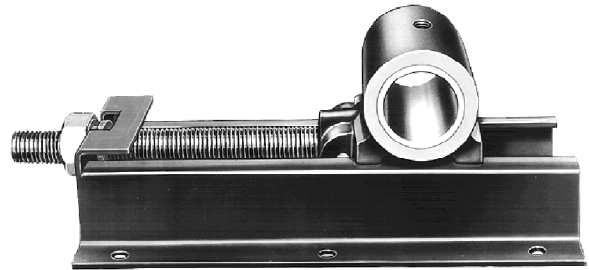
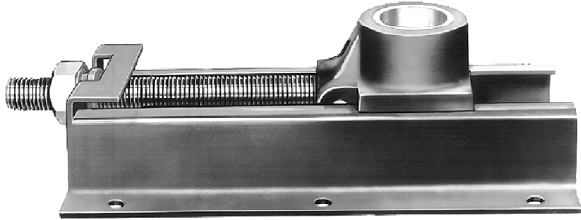
- 1 BRONZOIL Housing
- 2 BRONZOIL Take-up Oil Cup
- 3 BRONZOIL Bushing
- 4 BRONZOIL Permawick

FEATURES/BENEFITS PAGE B13-2	HOW TO ORDER/ NOMENCLATURE PAGE B13-6		
---------------------------------	---	--	--

SELECTION/DIMENSIONS



Take-Up Frames—Type A & B



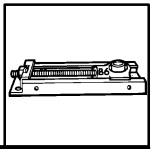
TYPE A TAKE-UP FRAMES

TYPE B TAKE-UP FRAMES

Shaft Size x Travel	Type A Take-Up Bearing			Take-Up Frame		
	Part Number	Description	Wt.	Part Number	Description	Wt.
15/16x 5 1 x 5 1-3/15x 5 1-1/4x 5	036180 036181 036182 036183	TUA-015-TUBRG TUA-100-TUBRG TUA-103-TUBRG TUA-104-TUBRG	2.6 2.5 2.3 2.2	223015	ABX5-TUFR	4.0
1-7/16x 6 1-7/16 x12	036184	TUA-107-TUBRG	3.5	223016 223018	ABX6-TUFR ABX12-TUFR	7.5 10.5
1-11/16x 6 1-11/16x12	036185	TUA-111-TUBRG	4.1	223016 223018	ABX6-TUFR ABX12-TUFR	7.5 10.5
1-15/16x 9 1-15/16x18	036186	TUA-115-TUBRG	6.7	223017 223019	ABX9-TUFR ABX18-TUFR	15.5 23.2
2-3/16x 9 2-3/16x18	036187	TUA-203-TUBRG	10.1	223017 223019	ABX9-TUFR ABX18-TUFR	15.5 23.2
2-7/16x 9 2-7/16x18	036188	TUA-207-TUBRG	8.8	223017 223019	ABX9-TUFR ABX18-TUFR	15.5 23.2

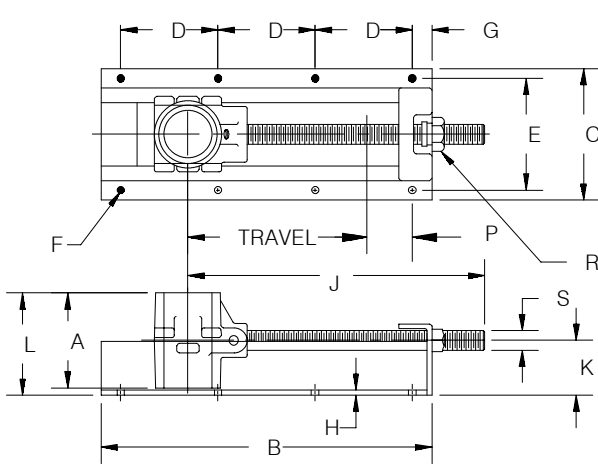
Shaft Size x Travel	Type B Take-Up Bearing			Take-Up Frame		
	Part Number	Description	Wt.	Part Number	Description	Wt.
15/16x 5 1 x 5 1-3/15x 5 1-1/4x 5	036270 036193 036194 036274	TUB-015-TUBRG TUB-100-TUBRG TUB-103-TUBRG TUB-104-TUBRG	3.6 3.5 3.3 3.2	223015	ABX5-TUFR	4.0
1-7/16x 6 1-7/16 x12	036196	TUB-107-TUBRG	4.7	223016 223018	ABX6-TUFR ABX12-TUFR	7.5 10.5
1-11/16x 6 1-11/16x12	036197	TUB-111-TUBRG	5.4	223016 223018	ABX6-TUFR ABX12-TUFR	7.5 10.5
1-15/16x 9 1-15/16x18	036198	TUB-115-TUBRG	8.6	223017 223019	ABX9-TUFR ABX18-TUFR	15.5 23.2
2-3/16x 9 2-3/16x18	036199	TUB-203-TUBRG	12.7	223017 223019	ABX9-TUFR ABX18-TUFR	15.5 23.2
2-7/16x 9 2-7/16x18	036200	TUB-207-TUBRG	11.4	223017 223019	ABX9-TUFR ABX18-TUFR	15.5 23.2

DIMENSIONS-TYPE A&B TAKE-UP FRAME PAGE B13-51	DIMENSIONS-TYPE A&B T.U. BRG. PAGE B13-48	DIMENSIONS-TYPE A&B T.U. FRAME PAGE B13-48	
---	---	--	--

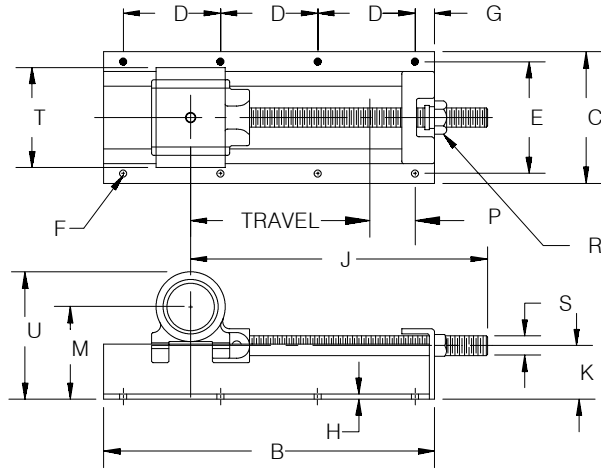


SELECTION/DIMENSIONS

Take-Up Frames—Type A & B



TYPE TUA



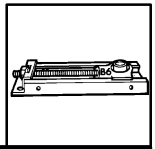
TYPE TUB

Shaft Size x Travel	A	B	C	D	E	F Bolt		G	H	J	K
						No.	Dia.				
15/16 x 5 1 x 5 1-3/16 x 5 1- 1/4 x 5	2-5/8	9-3/4	4-3/4	3-1/2	4	6	5/16	1-3/8	1/8	8-3/4	1-5/8
1-7/16 x 6 1-7/16 x 12	3-1/8	12 18	5-3/4 5-3/4	5 5-1/4	4-3/4 4-3/4	6 8	3/3 3/8	1 1	3/16 3/16	10-1/2 16-1/2	2 2
1-11/16 x 6 1-11/16 x 12	3-3/8	12 18	5-3/4 5-3/4	5 5-1/4	4-3/4 4-3/4	6 8	3/8 3/8	1 1	3/16 3/16	10-1/2 16-1/2	2 2
1-15/16 x 9 1-15/16 x 18	4-1/8	17 26	6-3/4 6-3/4	5 6	5-3/4 5-3/4	8 10	3/8 3/8	1 1	1/4 1/4	14-1/2 23-1/2	2-3/4 2-3/4
2-3/16 x 9 2-3/16 x 18	4-7/8	17 26	6-3/4 6-3/4	5 6	5-3/4 5-3/4	8 10	3/8 3/8	1 1	1/4 1/4	14-1/2 23-1/2	2-3/4 2-3/4
2-7/16 x 9 2-7/16 x 18	4-7/8	17 26	6-3/4 6-3/4	5 6	5-3/4 5-3/4	8 10	3/8 3/8	1 1	1/4 1/4	14-1/2 23-1/2	2-3/4 2-3/4

Shaft Size x Travel	L	M	P	R Hex.	S	T	U	Grease Cup	
								Pipe Tap	Size
15/16 x 5 1 x 5 1-3/16 x 5 1-1/4 x 5	3	2-3/4	1-5/8	1-5/16	3/4	2-7/8	3-27/32	1/8	0
1-7/16 x 6 1-7/16 x 12	3-5/8	3-3/8 3-3/8	2-1/2 2-1/2	1-1/2	7/8	3-3/8	4-19/32	1/4	0
1-11/16 x 6 1-11/16 x 12	3-3/4	3-5/8 3-5/8	2-1/2 2-1/2	1-1/2	7/8	3-5/8	4-31/32	1/4	0
1-15/16 x 9 1-15/16 x 18	4-7/8	4-1/2 4-1/2	3-3/8 3-3/8	1-5/8	1	4-3/8	6-1/32	1/4	1
2-3/16 x 9 2-3/16 x 18	5-1/4	4-3/4 4-3/4	3-1/8 3-1/8	1-5/8	1	5-1/8	6-17/32	1/4	1
2-7/16 x 9 2-7/16 x 18	5-1/4	4-3/4 4-3/4	3-3/8 3-3/8						

FEATURES/BENEFITS PAGE B13-2	HOW TO ORDER/ NOMENCLATURE PAGE B13-6	SELECTION PAGE B13-47	
---------------------------------	---	--------------------------	--

SELECTION/DIMENSIONS



Take-Up Frames–With Stainless Steel Screws

TOP ANGLE TAKE-UP FRAMES WITH STAINLESS STEEL SCREW

Part No.	Description
036407	TP-10x12-TUFR-SSS
036408	TP-10x18-TUFR-SSS
036409	TP-10x24-TUFR-SSS
036410	TP-10x30-TUFR-SSS
036411	TP-10x36-TUFR-SSS
036412	TP-10x48-TUFR-SSS
036413	TP-20x12-TUFR-SSS
036414	TP-20x18-TUFR-SSS
036415	TP-20x24-TUFR-SSS
036416	TP-20x30-TUFR-SSS
036417	TP-20x36-TUFR-SSS
036418	TP-20x48-TUFR-SSS
036419	TP-30x12-TUFR-SSS
036420	TP-30x18-TUFR-SSS
036421	TP-30x24-TUFR-SSS
036422	TP-30x30-TUFR-SSS
036423	TP-30x36-TUFR-SSS
036424	TP-30x48-TUFR-SSS

Part No.	Description
036383	TP-40x12-TUFR-SSS
036332	TP-40x18-TUFR-SSS
036369	TP-40x24-TUFR-SSS
036425	TP-40x30-TUFR-SSS
036426	TP-40x36-TUFR-SSS
036427	TP-40x48-TUFR-SSS
036428	TP-50x12-TUFR-SSS
036429	TP-50x18-TUFR-SSS
036373	TP-50x24-TUFR-SSS
036430	TP-50x30-TUFR-SSS
036431	TP-50x36-TUFR-SSS
036372	TP-50x48-TUFR-SSS
036432	TP-60x12-TUFR-SSS
036433	TP-60x18-TUFR-SSS
050316	TP-60x24-TUFR-SSS
036434	TP-60x30-TUFR-SSS
036380	TP-60x36-TUFR-SSS
036435	TP-60x48-TUFR-SSS

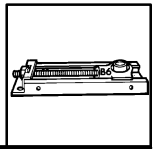
CENTER PULL TAKE-UP FRAMES WITH STAINLESS STEEL SCREW

Part No.	Description
019750	CP-308x12-TUFR-SSS
019751	CP-308x18-TUFR-SSS
019752	CP-308x24-TUFR-SSS
019753	CP-308x30-TUFR-SSS
019754	CP-308x36-TUFR-SSS
019755	CP-400x12-TUFR-SSS
019756	CP-400x18-TUFR-SSS
019757	CP-400x24-TUFR-SSS
019758	CP-400x30-TUFR-SSS
019759	CP-400x36-TUFR-SSS
019760	CP-408x18-TUFR-SSS
019761	CP-408x18-TUFR-SSS
019762	CP-408x24-TUFR-SSS
019763	CP-408x30-TUFR-SSS
019764	CP-408x36-TUFR-SSS
019765	CP-502x12-TUFR-SSS
019766	CP-502x18-TUFR-SSS
019767	CP-502x24-TUFR-SSS
019768	CP-502x30-TUFR-SSS
019769	CP-502x36-TUFR-SSS
019770	CP-515x12-TUFR-SSS
019771	CP-515x18-TUFR-SSS
019772	CP-515x24-TUFR-SSS
019773	CP-515x30-TUFR-SSS
019774	CP-515x36-TUFR-SSS

Part No.	Description
019775	CP-613x12-TUFR-SSS
019776	CP-613x18-TUFR-SSS
019777	CP-616x24-TUFR-SSS
019778	CP-613x30-TUFR-SSS
019779	CP-613x36-TUFR-SSS
019780	CP-810x12-TUFR-SSS
019781	CP-810x24-TUFR-SSS
019782	CP-810x24-TUFR-SSS
019783	CP-810x30-TUFR-SSS
019784	CP-810x36-TUFR-SSS
019785	CP-908x12-TUFR-SSS
019786	CP-908x18-TUFR-SSS
019787	CP-908x24-TUFR-SSS
019788	CP-908x30-TUFR-SSS
019789	CP-908x36-TUFR-SSS
019790	CP-1004x12-TUFR-SSS
019791	CP-1004x18-TUFR-SSS
019792	CP-1004x24-TUFR-SSS
019793	CP-1004x30-TUFR-SSS
019794	CP-1004x36-TUFR-SSS

FEATURES/BENEFITS PAGE B13-2	HOW TO ORDER/ NOMENCLATURE PAGE B13-6	DIMENSIONS TOP ANGLE T.U. FRAME PAGE B13-20	DIMENSIONS CENTER PULL T.U. FRAME PAGE B13-24
---------------------------------	---	---	---

SELECTION/DIMENSIONS



Take-Up Frames–With Stainless Steel Screws

LD PROTECTED SCREW TAKE-UP FRAMES WITH STAINLESS STEEL SCREW

Part No.	Description
038936	LD-10x9-TUFR-SSS
038937	LD-10x12-TUFR-SSS
038938	LD-10x18-TUFR-SSS
038939	LD-10x24-TUFR-SSS
038940	LD-10x30-TUFR-SSS
038941	LD-10x36-TUFR-SSS
038942	LD-10x42-TUFR-SSS
038943	LD-10x48-TUFR-SSS
038944	LD-20x6-TUFR-SSS
038945	LD-20x9-TUFR-SSS
038946	LD-20x12-TUFR-SSS
038947	LD-20x18-TUFR-SSS
038948	LD-20x24-TUFR-SSS
038949	LD-20x30-TUFR-SSS
038950	LD-20x36-TUFR-SSS
038951	LD-20x42-TUFR-SSS
038952	LD-20x48-TUFR-SSS
039094	LD-30x12-TUFR-SSS
038953	LD-30x18-TUFR-SSS
038954	LD-30x24-TUFR-SSS
038955	LD-30x30-TUFR-SSS
038956	LD-30x36-TUFR-SSS
038957	LD-30x42-TUFR-SSS
038958	LD-30x48-TUFR-SSS

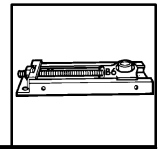
Part No.	Description
039042	LD-40x12-TUFR-SSS
038959	LD-40x18-TUFR-SSS
038960	LD-40x24-TUFR-SSS
038961	LD-40x30-TUFR-SSS
038962	LD-40x36-TUFR-SSS
038963	LD-40x42-TUFR-SSS
038964	LD-40x48-TUFR-SSS
038965	LD-45x12-TUFR-SSS
038966	LD-45x18-TUFR-SSS
038967	LD-45x24-TUFR-SSS
038968	LD-45x30-TUFR-SSS
038969	LD-45x36-TUFR-SSS
038970	LD-45x42-TUFR-SSS
038971	LD-45x48-TUFR-SSS
038935	LD-50x6-TUFR-SSS
039071	LD-50x12-TUFR-SSS
039040	LD-50x18-TUFR-SSS
039972	LD-50x24-TUFR-SSS
039973	LD-50x30-TUFR-SSS
039974	LD-50x36-TUFR-SSS
039975	LD-50x42-TUFR-SSS
039976	LD-50x48-TUFR-SSS

HD PROTECTED SCREW TAKE-UP FRAMES WITH STAINLESS STEEL SCREW

Part No.	Description
089622	HD-200x12-TUFR-SSS
089623	HD-200x18-TUFR-SSS
089624	HD-200x24-TUFR-SSS
089625	HD-200x30-TUFR-SSS
089626	HD-200x36-TUFR-SSS
089628	HD-200x48-TUFR-SSS
089629	HD-200x60-TUFR-SSS
089630	HD-250x12-TUFR-SSS
089631	HD-250x18-TUFR-SSS
089632	HD-250x24-TUFR-SSS
089633	HD-250x30-TUFR-SSS
089634	HD-250x36-TUFR-SSS
089636	HD-250x48-TUFR-SSS
089637	HD-250x60-TUFR-SSS
089638	HD-300x12-TUFR-SSS
089248	HD-300x18-TUFR-SSS
089639	HD-300x24-TUFR-SSS
089640	HD-300x30-TUFR-SSS
089641	HD-300x36-TUFR-SSS
089643	HD-300x48-TUFR-SSS
089644	HD-300x60-TUFR-SSS

Part No.	Description
089645	HD-350x12-TUFR-SSS
089646	HD-350x18-TUFR-SSS
089647	HD-350x24-TUFR-SSS
089648	HD-350x30-TUFR-SSS
089649	HD-350x36-TUFR-SSS
089651	HD-350x48-TUFR-SSS
089652	HD-350x60-TUFR-SSS
089653	HD-400x12-TUFR-SSS
089654	HD-400x18-TUFR-SSS
089655	HD-400x24-TUFR-SSS
089656	HD-400x30-TUFR-SSS
089657	HD-400x36-TUFR-SSS
089659	HD-400x48-TUFR-SSS
089660	HD-400x60-TUFR-SSS
089661	HD-500x12-TUFR-SSS
089662	HD-500x18-TUFR-SSS
089663	HD-500x24-TUFR-SSS
089664	HD-500x30-TUFR-SSS
089665	HD-500x36-TUFR-SSS
089667	HD-500x48-TUFR-SSS
089668	HD-500x60-TUFR-SSS

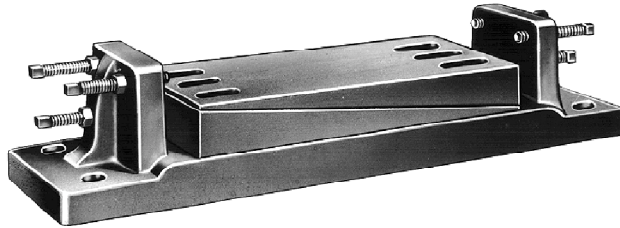
FEATURES/BENEFITS PAGE B13-2	HOW TO ORDER/ NOMENCLATURE PAGE B13-6	DIMENSIONS LD T.U. FRAME PAGE B13-35	DIMENSIONS HD T.U. FRAME PAGE B13-42
---------------------------------	---	--	--



SELECTION/DIMENSIONS

Baseplates

ADJUSTABLE BASE PLATES FOR TYPE C, SPECIAL DUTY, ALL-STEEL, USAF, SAF-XT, AND TAF



Base plates provide substantial support for pillow blocks and also a simple method of obtaining shaft alignment at time of installation and realignment when slight changes occur in the supporting structure or foundation. The side screws provide support to the pillow blocks in installations having side strains due to loads imposed by belts, gears or other drives.

Adjustable Base Plate — This type is supplied with tapered wedges with permit an approximate vertical adjustment of from 3/16" above to 3/16" below the normal position. side screws provide for horizontal adjustment.

The bottom of the base plates are regularly cast smooth, and the "M" dimension as given below is approximate. An extra charge as listed on opposite page is made when the base plate is ordered with the bottom of the base machined.

Selection of Size — Trace down left hand column to pillow block size, then trace right to the base plate number listed under the type of pillow block.

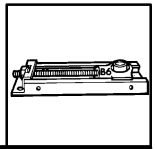
SELECTION OF ADJUSTABLE BASE PLATES FOR DODGE PILLOW BLOCKS

Shaft Size	Type of Pillow Block					
	Type C Special Duty		All-Steel (See page B3-59 for description)		SAF-XT & TAF USAF, SAFS	
	Base Plate No.	M ^a Adj.	Base Plate No.	M ^a Adj.	Base Plate No.	M ^a Adj.
1-11/16	270	6-1/4
1-15/16	300	6-3/4
2-3/16	320	7-1/2
2-7/16	360	8-1/8	330	7-5/16
2-11/16	370	9	350	7-15/16	350	7-11/16
2-15/16	370	9	350	7-15/16	350	7-15/16
3-3/16	410	10-1/2	380	8-5/8
3-7/16	410	10-1/2	400	9-3/8	400	9-3/8
3-15/16	460	11-7/8	430	10-1/8	430	10-1/8
4-3/16	430	10-7/8
4-7/16	460	12-3/4	450	11-5/16	450	11-9/16
4-15/16	500	13-1/2	450	11-15/16	480	11-15/16
5-3/16	490	12-11/16
5-7/16	540	16	490	13	490	13-1/16
6	540	16	510B	14	510A	14-1/16
6-1/2	580	19-1/4	550A	15-7/8	550B	15-5/8
7	580	19-1/4	550A	15-7/8	550A	16
8	600	21-3/4	560	18-3/4	560	18-3/4
9	630	26-1/2	610	23-3/8	540	15-1/4
10	630	26-1/2	610	23-3/8	610 *	17

^a See drawing on opposite page. When bottom of base plate is machined, the "M" dimension will be reduced approximately 1/4".

* For use with USAF contact DODGE Application Engineering.

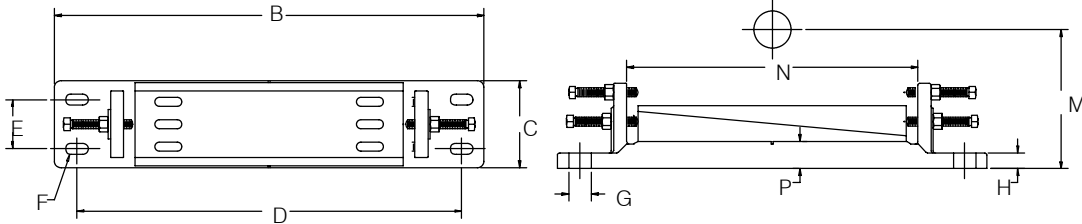
SPECIAL DUTY PILLOW BLOCKS PAGE B6-25	ALL STEEL PILLOW BLOCKS PAGE B6-51	TAF PILLOW BLOCKS PAGE B5-52	USAF PILLOW BLOCKS PAGE B9-82
--	---------------------------------------	---------------------------------	----------------------------------



SELECTION/DIMENSIONS

Baseplates

ADJUSTABLE BASE PLATES FOR TYPE C, SPECIAL DUTY, ALL STEEL, USAF, SAF-XT, AND TAF



WEDGE TYPES
TYPE 1



TYPE 2



TYPE 3



TYPE 4

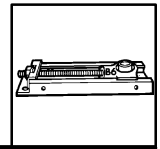


BASE PLATES FOR DODGE PILLOW BLOCKS

Base Plate No.	Adjustable Base Plate		Wedge Type	B	C	D	4-Bolt Base		G	H	N	P
	Part No.	Wt.					E	F-Bolt				
270 Å	079023	23	1	18-1/2	3-5/8	16-1/2	2-1/4	1/2	1	1	12-1/4	1-1/2
300 Å	079026	36	1	21-1/2	3-3/4	19	2-1/4	5/8	1-1/4	1-1/8	14	1-3/4
320 Å	079029	44	1	22-1/2	4-1/4	20	2-1/2	5/8	1-1/4	1-1/8	15	1-3/4
330 Å	057021	52	2	23-1/4	3-3/4	21	2	5/8	15/16	1-1/4	15-3/4	2
350 Å	057024	58	2	24-3/4	4	22-1/2	2	5/8	15/16	1-1/4	17	2
360 Å	079032	51	2	24	4-1/2	21-1/2	2-1/2	5/8	1-1/4	1-1/4	16-1/2	2
370 Å	079035	58	2	26	5	23-1/2	2-3/4	5/8	1-1/4	1-1/4	18	2
380 Å	057018	67	2	25-3/4	4-1/2	23-1/2	2-1/4	5/8	15/16	1-1/4	17-3/4	2-1/4
400 Å	057027	87	2	28-1/2	4-3/4	26	2-1/2	3/4	1-1/8	1-3/8	18-3/4	2-3/8
410	079038	98	2	30	5-3/4	27	3-1/4	3/4	1-1/2	1-3/8	19-3/4	2-3/8
430	057030	108	3	30-3/4	5	27-3/4	2-1/2	7/8	15/16	1-1/2	20-1/2	2-1/2
450	057033	126	3	32-3/4	5-1/2	29-3/4	3	7/8	15/16	1-1/2	22-1/2	2-1/2
460	079041	169	3	34-1/2	7-3/4	31	4-1/2	7/8	1-3/4	1-1/2	23-3/4	2-1/2
480	057036	174	3	35	6-7/8	31-3/4	3-1/4	1	1-1/2	1-5/8	23-7/8	2-3/4
490	057039	170	3	36-1/2	6-1/2	33-1/4	3-1/2	1	1-1/2	1-5/8	25-1/2	2-7/8
500	079044	172	3	39	8-1/2	35	5	1	2	1-5/8	26-3/4	2-3/4
510A 510B	079080 079081	230	3	41-1/4	7	37-1/2	4	1-1/8	1-11/16	1-3/4	28-1/8	3
540	079087	330	3	48	9-3/4	43	5-1/2	1-1/8	2-1/2	1-3/4	32-1/2	3
550A 550B	079082 079083	350	3	47-3/4	7-3/4	43	4	1-1/2	2-1/4	2-1/8	32	3-1/2
560	079084	430	3	52-1/4	9	47-1/2	4-1/2	1-3/4	2-5/8	2-1/4	35-3/4	4
580	079088	575	3	59	10-3/4	52	6	1-1/2	3	2-1/8	40	3-1/2
600	079089	950	3	66	11-3/4	59	6-1/2	1-3/4	3-1/2	2-1/8	45	4
610	079086	1300	4	65-1/2	12	59-1/2	6-1/2	2	3	3	44	5
630	079090	2150	4	73-1/2	16	67-1/2	10	2	3	3	51	5

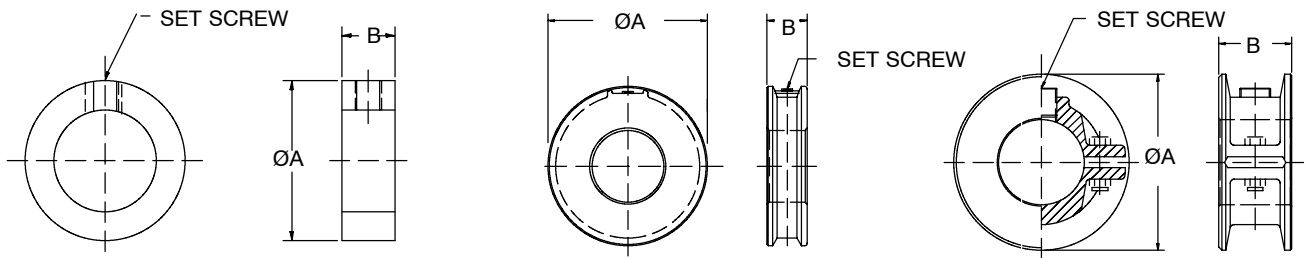
* Base plates are furnished with 4-bolt base only. These accept pillow blocks as noted Å 2-bolt only, Å 2 or 4-bolt, all others accept 4-bolt only.

FEATURES/BENEFITS PAGE B13-2	HOW TO ORDER/ NOMENCLATURE PAGE B13-6		
---------------------------------	---	--	--



SELECTION/DIMENSIONS

Shaft Collars



Solid Steel						
Shaft Size	Part Number *		Dimensions			
	Steel	Stainless	O.D.	Width	Screw	Wt.
1/8	----	456225A	0.36	0.25	#6	0.01
3/16	040001	456226	0.44	0.25	#8	0.01
1/4	040002	456227	0.50	0.28	#10	0.01
5/16	040003	456228	0.63	0.34	#10	0.01
3/8	040004	456229	0.75	0.38	1/4	0.01
7/16	040005	----	0.88	0.44	1/4	0.05
1/2	040006	456230	1.00	0.44	1/4	0.1
9/16	040007	----	1.00	0.44	1/4	0.1
5/8	040008	456231	1.13	0.50	5/16	0.1
11/16	040009	----	1.25	0.56	5/16	0.1
3/4	040010	456232	1.25	0.56	5/16	0.1
13/16	040011	----	1.31	0.56	5/16	0.1
7/8	040012	456234	1.50	0.56	5/16	0.2
15/16	040013	----	1.63	0.56	5/16	0.2
1	040014	456234	1.63	0.63	5/16	0.2
1-1/16	040015	----	1.75	0.63	5/16	0.2
1-1/8	040016	456235	1.75	0.63	5/16	0.2
1-3/16	040017	----	2.00	0.69	3/8	0.4
1-1/4	040018	456236	2.00	0.69	3/8	0.4
1-5/16	010019	----	2.13	0.69	3/8	0.4
1-3/8	040020	----	2.13	0.75	3/8	0.4
1-7/16	040021	----	2.25	0.75	3/8	0.5
1-1/2	040022	456237	2.25	0.75	3/8	0.5
1-9/16	040023	----	2.50	0.81	3/8	0.7
1-5/8	040024	----	2.50	0.81	3/8	0.6
1-11/16	040025	----	2.50	0.81	3/8	0.6
1-3/4	040026	456238	2.75	0.88	1/2	0.8
1-7/8	040027	----	2.75	0.88	1/2	0.8
1-15/16	040028	----	3.00	0.88	1/2	1
2	040029	456239	3.00	0.88	1/2	1
2-3/16	040030	----	3.25	0.94	1/2	1.2
2-1/4	040031	----	3.25	0.94	1/2	1.2
2-7/16	040032	----	3.50	1.00	1/2	1.4
2-1/2	040033	----	3.50	1.00	1/2	1.3
2-15/16	040034	----	4.25	1.13	1/2	2.2

Solid Iron				
Shaft Size	Part Number	Dimensions		
		O.D.	Width	Wt.
1-15/16	010020	3.38	1.38	2.5
2	010021	3.38	1.38	2.5
2-3/16	010024	3.75	1.38	3.0
2-7/16	010028	4.25	1.50	4.3
2-1/2	010029	4.25	1.50	4.3
2-11/16	010032	4.75	1.50	5.0
2-15/16	010036	5.00	1.63	5.6
3-3/16	010039	5.50	1.63	7.0
3-7/16	010043	5.75	1.75	7.6
3-15/16	010048	6.50	1.88	10.0
4-7/16	010051	7.25	2.00	12.0
4-15/16	010054	8.00	2.13	16.3
5-7/16	010055	8.75	2.13	18.5
5-15/16	010056	9.25	2.25	23.0
6	010057	9.25	2.25	23.0
6-1/2	010058	10.00	2.25	25.0
7	010059	10.50	3.38	32.0
7-1/2	010060	11.38	2.50	35.0
8	010061	12.13	2.88	45.0

NOTE: Solid and Split iron collars have one set screw thru 3-1/4" bore size. 3-3/16" and larger bores have two setscrews

Split Iron				
Shaft Size	Part Number	Dimensions		
		O.D.	Width	Wt.
1-1/8	010075	3.13	1.25	1.3
1-3/16	010076	3.13	1.25	1.3
1-1/4	010077	3.13	1.25	1.3
1-5/16	010078	3.38	1.44	1.8
1-7/16	010080	3.38	1.44	1.8
1-1/2	010081	3.38	1.44	1.8
1-11/16	010084	3.75	1.56	2.4
1-3/4	010085	3.75	1.56	2.4
1-15/16	010088	4.06	1.75	2.6
2	010089	4.06	1.75	2.6
2-3/16	010092	4.50	1.88	3.4
2-1/4	010093	4.50	1.88	3.4
2-7/16	010096	4.44	1.88	3.8
2-1/2	010097	4.88	2.00	4.3
2-11/16	010100	5.31	2.06	5.4
2-15/16	010104	5.50	1.88	4.6
3	010105	5.50	1.88	4.4
3-3/16	010107	6.06	2.38	8.0
3-7/16	010110	6.06	2.38	6.0
3-11/16	010112	6.81	2.63	10.6
3-15/16	010114	7.00	2.75	9.0
4-7/16	010117	8.13	3.31	17.0
4-15/16	010120	8.50	3.25	20.8
5-7/16	010123	9.00	3.25	23.0
5-15/16	010126	9.50	3.25	23.7
6	010127	10.13	4.06	35.0
6-1/2	010128	11.00	4.25	41.0
7	010129	12.00	4.50	46.0
7-1/2	010130	12.94	4.69	56.0
8	010131	13.50	4.88	71.0

NOTE: Steel is mild carbon steel.
Stainless is 300-series stainless
All sizes are fitted with one setscrew

FEATURES/BENEFITS PAGE B13-2	HOW TO ORDER/ NOMENCLATURE PAGE B13-6		
---------------------------------	---	--	--

NOTES

