

## Relevant Suffixes

For Spherical Roller Bearings In The Paper Industry

## Relevant suffixes · Comparison of designations · Description

Comparison of designations		Description (variation from standard)
FAG	SKF	
<b>Standard</b>	<b>W33</b>	Spherical roller bearing with lubrication groove and 3 lubrication holes in the outer ring
<b>C3</b>	<b>C3</b>	Radial internal clearance larger than CN (normal)
<b>C4</b>	<b>C4</b>	Radial internal clearance larger than C3
<b>C5</b>	<b>C5</b>	Radial internal clearance larger than C4
<b>H40</b>	<b>(W77)</b>	Bearing without lubrication groove and without lubrication holes in the outer ring
<b>H40AB</b>	<b>W26</b>	Spherical roller bearing, additionally with 6 lubrication holes in the inner ring
<b>H40AC</b>	<b>–</b>	Spherical roller bearing, additionally with lubrication groove and 6 lubrication holes in the inner ring
<b>H40BB</b>	<b>–</b>	Spherical roller bearing, combination of H40 and H40AB
<b>H40BC</b>	<b>–</b>	Spherical roller bearing, combination of H40 and H40AC
<b>H40CA</b>	<b>W33X</b>	Spherical roller bearing with lubrication groove and 6 lubrication holes in the outer ring
<b>H44SA</b>	<b>W77</b>	Spherical roller bearing with aluminium closing plugs for lubrication holes in the outer ring
<b>H44SB</b>	<b>–</b>	Spherical roller bearing with aluminium closing plugs for lubrication holes in the inner ring
<b>H88</b>	<b>VQ424</b>	Running accuracy P5 for the inner ring and P4 for the outer ring: + J26C + M15NZ + restricted width tolerance of the outer ring for applications with rotating outer ring
<b>H140</b>	<b>–</b>	Combination of H40AC + H44SA + H44SB + T52BW
<b>H157</b>	<b>VE589</b>	Combination of H40 + H40AC, special oil injection nozzles in the inner ring
<b>J26A</b>	<b>W4</b>	Marking of the largest radial runout deviation on the inner ring or sleeve
<b>J26B</b>	<b>W58</b>	Marking of the largest radial runout deviation on the outer ring
<b>J26C</b>	<b>W515</b>	Marking of the largest radial runout deviation on the inner ring and outer ring
<b>J33BH</b>	<b>–</b>	Durotect Z coating of the outer ring outside surface
<b>J47AA</b>	<b>–</b>	PTFE coating of the outer ring outside surface
<b>J48BB</b>	<b>L5DA</b>	Surface coating of barrel rollers with Triondur C
<b>J56</b>	<b>–</b>	Corrotect coating of the rolling bearing
<b>MB</b>	<b>–</b>	Two-piece solid brass cage, guided on central rib
<b>MB1</b>	<b>–</b>	Single-piece solid brass cage, guided on central rib
<b>M15NZ</b>	<b>–</b>	Measurement report with Talyrond record and serial number
<b>T50H</b>	<b>W22</b>	Bearing with restricted outside diameter tolerance (to minus-minus)
<b>T52BH</b>	<b>VQ424</b>	Running accuracy P5 for the outer ring and P4 for the inner ring (for FAG also contains J26A) for applications with a rotating inner ring
<b>T52BE</b>	<b>C02</b>	Running accuracy P5 for the inner ring (for FAG, also contains J26A)
<b>T52BN</b>	<b>C04</b>	Running accuracy P5 for the outer ring (for FAG, also contains J26B)
<b>T52BW</b>	<b>C08</b>	Running accuracy P5 for the inner and outer ring (for FAG, also contains J26C)
<b>W209B</b>	<b>HA3</b>	Bearing inner ring made from case hardening steel

# FAG H140 Specification

## FAG H140 Technical Specification

The universal design H140 combines the special requirements for spherical roller bearings of outside diameter 320 mm and larger in paper machines. It brings together the design variants in technical specifications H40, H44S, J26A and T52B# (see following table).

### Characteristics of the H140 Specification:

- Circumferential lubrication groove and 3 lubrication holes in the outer ring (standard)
- Circumferential lubrication groove and 6 lubrication holes in the inner ring
- Aluminium plugs of various sizes for closing off the lubrication holes in order to facilitate dismounting by hydraulic means
- Increased running accuracy to P5 for the inner ring and outer ring
- Marking of the largest radial runout deviation on the inner ring and outer ring

## FAG H140 Interchangeability

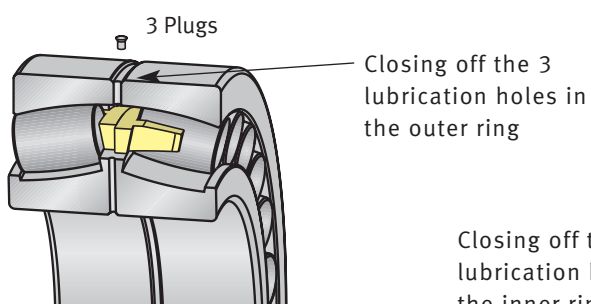
The FAG universal suffix H140 includes the following suffixes

FAG "Universal"	FAG	SKF	Timken
H140	T52BE	C02	C02
H140	T52BN	C04	C04
H140	T52BW	C08	C08
H140	J26A	W4	W4
H140	H40AB	W26	W94
H140	H44S or H40	W77	W84
H140	T52BW	W506	W33, W31
H140	J26A	W507	W507
H140	H40AB	W509	W509
H140	H40AB	W513	W33, W94
H140	H44S or H40	W525	W525

## Modifications for dismounting of bearings by hydraulic means

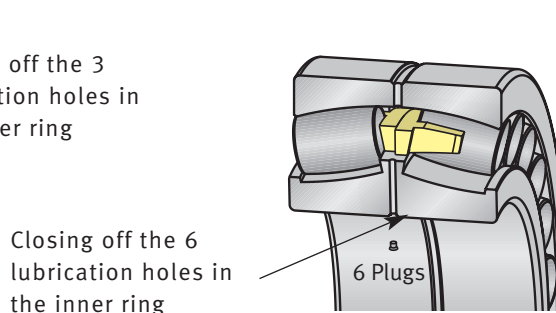
### Rotating outer ring with tight fit

Lubrication via the stationary inner ring



### Rotating inner ring with tight fit

Lubrication via the stationary outer ring



**Schaeffler KG**

Georg-Schäfer-Straße 30  
97421 Schweinfurt (Germany)  
Internet [www.fag.com](http://www.fag.com)  
E-Mail [pulp\\_paper@schaeffler.com](mailto:pulp_paper@schaeffler.com)

In Germany:

Phone 0180 5003872  
Fax 0180 5003873

From other countries:

Phone +49 9721 91-0  
Fax +49 9721 91-3435

Every care has been taken to ensure the correctness of the information contained in this publication but no liability can be accepted for any errors or omissions. We reserve the right to make technical changes.

© Schaeffler KG · 2008, October

This publication or parts thereof may not be reproduced without our permission.

TPI 173 GB-D