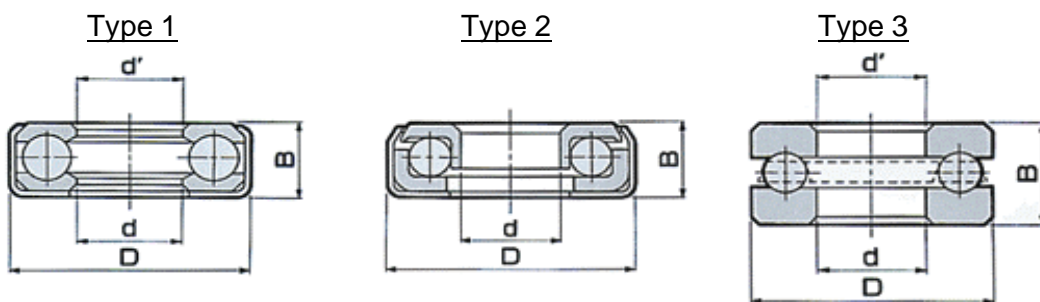


# 11 PRESSED THRUST BEARING

| Part No.  | Dimension (mm) |      |      |      | Type | Load Rat.(kgf) |     | Weight Net(g) | Q'ty/ Carton | Remarks                        |
|-----------|----------------|------|------|------|------|----------------|-----|---------------|--------------|--------------------------------|
|           | D              | d    | d'   | B    |      | Cr             | Cor |               |              |                                |
| PCK12RSUS | 12.0           | 6.2  | 6.2  | 4.5  | 1    | 54             | 66  | 3.02          | 5,000        | Stainless Steel Housing        |
| PCK12SUS  | 12.5           | 7.1  | 7.1  | 5.1  | 1    | 55             | 75  | 2.10          | 5,000        | Stainless Steel Housing        |
| PCK817R   | 17.0           | 8.1  | 8.1  | 8.0  | 3    | 93             | 100 | 7.34          | 400          | with Retainer, without Housing |
| PCK21     | 21.4           | 6.4  | 7.0  | 8.3  | 1    | 170            | 178 | 13.01         | 2,000        |                                |
| PCK1122   | 21.8           | 11.5 | 12.1 | 7.1  | 1    | 132            | 205 | 7.95          | 3,000        |                                |
| PCK22R    | 22.0           | 8.5  | 8.5  | 9.0  | 1    | 226            | 219 | 15.95         | 1,000        |                                |
| PCK23     | 23.0           | 10.5 | 10.5 | 12.0 | 1    | 235            | 259 | 21.74         | 1,000        |                                |
| PCK25     | 24.8           | 12.0 | 12.0 | 10.0 | 1    | 187            | 265 | 20.30         | 1,000        |                                |
| PCK1225   | 25.4           | 12.7 | 13.3 | 8.7  | 1    | 253            | 338 | 15.80         | 1,000        |                                |
| PCK26RN   | 26.0           | 12.0 | 12.0 | 8.5  | 1    | 242            | 304 | 18.17         |              |                                |
| PCK26SUS  | 26.0           | 12.2 | 12.2 | 5.3  | 1    | 140            | 240 | 12.01         |              | Stainless Steel Housing        |
| PCK27     | 26.6           | 9.5  | 10.2 | 9.1  | 1    | 193            | 292 | 40.20         |              |                                |
| PCK1327   | 27.6           | 13.2 | 13.2 | 9.5  | 1    | 198            | 321 | 24.66         |              |                                |
| PCK1528   | 28.0           | 15.1 | 15.1 | 5.0  | 1    | 96             | 229 | 11.58         | 2,000        |                                |
| PCK1628   | 28.0           | 16.0 | 16.0 | 9.0  | 1    | 201            | 352 | 17.96         | 1,000        |                                |
| PCK1628C  | 28.6           | 15.9 | 16.7 | 8.7  | 1    | 201            | 352 | 19.06         | 1,500        |                                |
| PCK35A    | 35.0           | 20.0 | 20.0 | 10.0 | 1    | 287            | 547 | 38.30         |              |                                |
| PCK361    | 36.1           | 15.9 | 16.5 | 11.5 | 1    | 424            | 604 | 51.38         | 750          |                                |
| PCK36     | 36.5           | 22.5 | 22.5 | 7.9  | 1    | 229            | 522 | 25.39         | 500          |                                |
| PCK37     | 36.8           | 20.0 | 20.0 | 11.0 | 1    | 434            | 677 | 43.55         | 400          |                                |
| PCK40K    | 40.0           | 17.0 | -    | 12.0 | 2    |                | 649 | 63.80         | 200          | Radial Load : Cr:250 Cor:198   |
| PCK2040   | 40.0           | 20.0 | 20.5 | 13.8 | 1    | 609            | 842 | 71.39         | 500          |                                |
| PCK2543   | 43.0           | 25.0 | 25.0 | 10.0 | 1    | 318            | 752 | 50.66         | 400          |                                |
| PCK3047   | 47.0           | 30.0 | 39.0 | 11.0 | 1    | 410            | 970 | 60.66         | 400          |                                |
| PCK3248   | 48.0           | 31.9 | 31.9 | 9.5  | 1    | 332            | 878 | 48.62         | 500          |                                |



## FUJI SEISAKUSHO CO. LTD.

Minamisenba No.2 Daiji Bldg.  
 No. 1-10, 3-chome, Minamisenba  
 Chuo-ku, Osaka 542-0081 Japan  
 Phone : 81-6-6243-3771 / Fax : 81-6-6243-6445 / e-mail : info@fuji-bearing.com