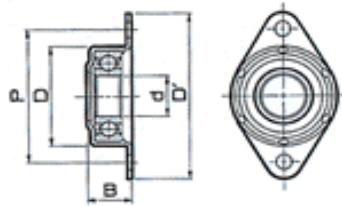


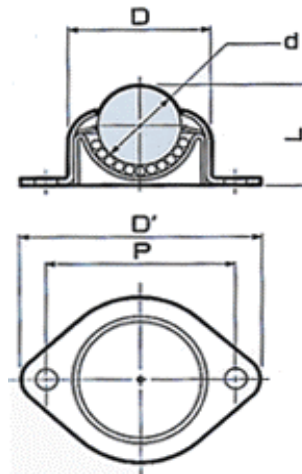
Part No.	Dimension (mm)						Load Rat.(kgf)		Weight Net(g)	Q'ty/ Carton	Remarks
	D	D'	d	B	P	L	Cr	Cor			
Flange Unit A	32.2	62.0	10.0	13.3	48.0	-	520*	244*			6200ZZ or 1200 Bearing
Flange Unit C	32.2	67.0	17.0	14.3	53.0	-	610	310			6003ZZ Bearing
PCP254B-S	42.0	70.0	25.4	-	56.0	30.5			145.28	200	1" Ball Transfer

* In case of using #1200, Load Rating would be Cr:570, Cor:121 respectively.

FLANGE UNITE



P C P 2 5 4 B - S



FUJI SEISAKUSHO CO. LTD.

Minamisenba No.2 Daiji Bldg.
 No. 1-10, 3-chome, Minamisenba
 Chuo-ku, Osaka 542-0081 Japan
 Phone : 81-6-6243-3771 / Fax : 81-6-6243-6445 / e-mail : info@fuji-bearing.com