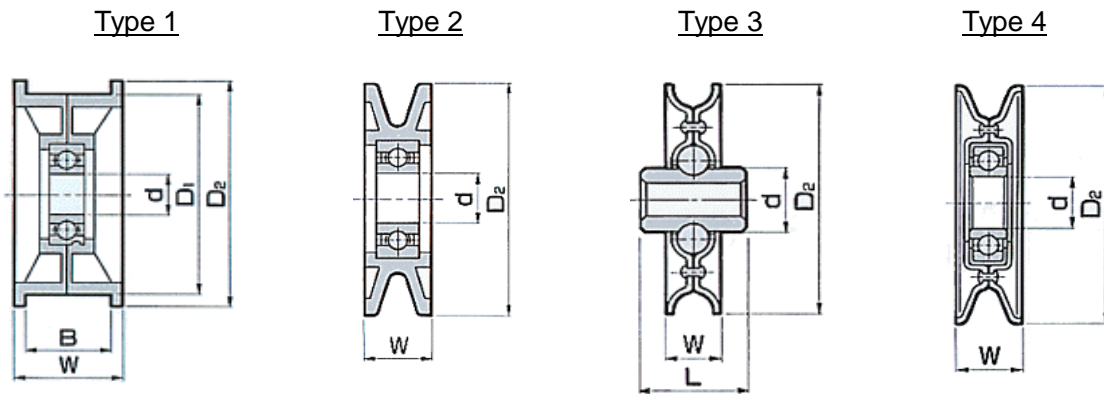


9 IDLER PULLEY

Part No.	Dimension (mm)						Type	Weight Net(g)	Q'ty/ Carton	Remarks
	D ₁	D ₂	d	B	W	L				
PCY45	-	45.0	6.0	-	9.4	14.0	3			
*TPB-40T	40.0	48.0	12.0	20.0	26.0	-	1	60.00		for back side of B type V-Belt, #6201 Bearing
TPAV70/Y	-	70.0	-	-	19.0	42.0	2	80.00		A type V-Belt, #6202 + M10 Shaft
PCY68	-	68.0	15.0	-	17.6		4	123.79	150	PCA1535 Pressed Bearing or 6202ZZ inserted
*TPB-70T	70.0	80.0	15.0	20.0	25.0		1	90.00		for back side of B type V-Belt, #6202 Bearing
*TPBV-80T	-	80.0	15.0	-	21.0	-	2	90.00		B type V-Belt, #6202 Bearing
*TPC130T	130.0	144.0	15.0	30.0	38.0	-	1	320.00		for back side of C type V-Belt, #6202 x 2 Bearings

*polyamide Housing



FUJI SEISAKUSHO CO. LTD.

Minamisenba No.2 Daiji Bldg.
 No. 1-10, 3-chome, Minamisenba
 Chuo-ku, Osaka 542-0081 Japan
 Phone : 81-6-6243-3771 / Fax : 81-6-6243-6445 / e-mail : info@fuji-bearing.com