

HYATT® SERIES BEARINGS



TABLE OF CONTENTS

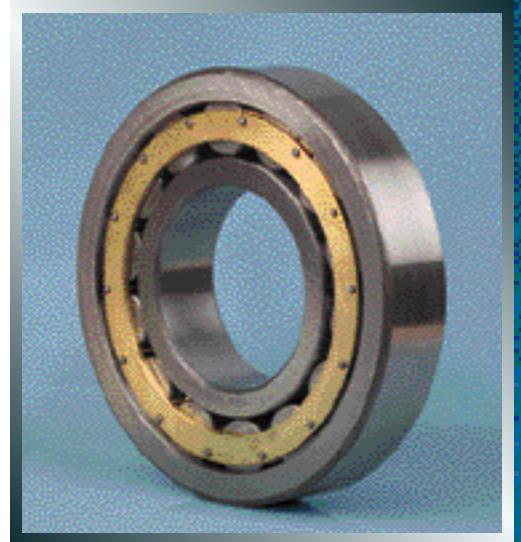
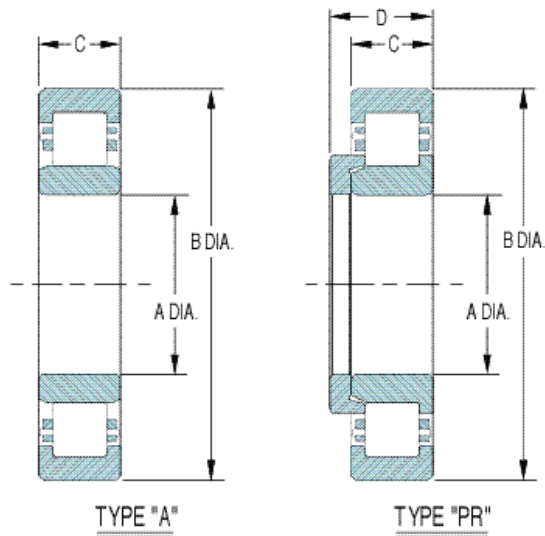
HYATT® SERIES BEARINGS

TRACTION MOTOR

ARMATURE BEARINGS

TAPERED ROLLER BEARINGS

HYATT® TRACTION MOTOR ARMATURE BEARING



STANDARD BEARING ASSEMBLY NUMBER	CAPACITY 3000 Hrs. B10 @500 RPM	BORE A mm inch	OUTSIDE DIAMETER B mm inch	WIDTH C mm inch	WIDTH D mm inch	WEIGHT (lbs.)
PR-0315-WB-16	11,300	75 2.9528	160 6.2992	37 1.4567	48 1.8897	9.5
PR-0320-WB-22	17,300	100 3.9370	215 8.4646	47 1.8504	60 2.3624	22.0
A-0322-WABD	22,000	110 4.3307	240 9.4491	50 1.9685	N/A	27.0
A-0326-WAB-30	34,700	130 5.1181	280 11.0240	58 2.2835	N/A	41.0
A-0330-WB-18	42,000	150 5.9043	320 12.5984	65 2.5591	N/A	59.0

RECOMMENDED FITTING PRACTICE

BASIC BEARING SIZE	BEARING BORE	SHAFT DIAMETER	SHAFT FIT	BEARING O.D.	HOUSING BORE	HOUSING FIT
0315	2.9528	2.9539	.0006T	6.2992	6.2981	.0004T
	2.9522	2.9534	.0017T	6.2985	6.2976	.0016T
0320	3.9370	3.9383	.0008T	8.4646	8.4635	.0004T
	3.9362	3.9378	.0021T	8.4639	8.4629	.0017T
0322	4.3307	4.3324	.0010T	9.4491	9.4481	.0000T
	4.3299	4.3317	.0025T	9.4481	9.4471	.0017T
0326	5.1181	5.1200	.0014T	11.0240	11.0230	.0000T
	5.1171	5.1195	.0029T	11.0230	11.0219	.0021T
0330	5.9043	5.9077	.0029T	12.5984	12.5976	.0001T
	5.9033	5.9072	.0044T	12.5975	12.5965	.0019T



DIV. GENERAL BEARING CORPORATION

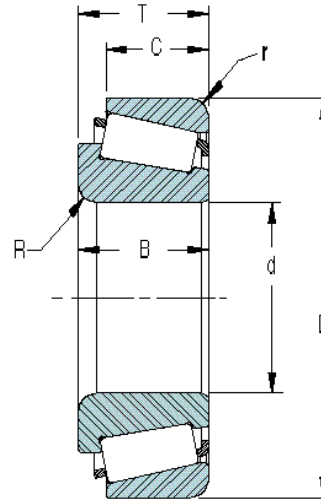
44 High Street, West Nyack, NY 10994
Tel (845) 358-6000 ■ Fax (845) 358-7415
www.generalbearing.com



GENERAL BEARING CORPORATION

A QS-9000/ISO-9001 Certified Company

HYATT® TAPERED ROLLER BEARINGS CUP AND CONE



INCH SIZES

PART NUMBER		INCH DIMENSIONS						
CONE	CUP	BORE d	OUTSIDE DIAMETER D	BEARING WIDTH T	CONE WIDTH B	CUP WIDTH C	SHAFT MAX FILLET RADIUS R	HOUSING MAX FILLET RADIUS r
LM11749	LM11710	0.6875	1.5700	0.5450	0.5750	0.4200	0.05	0.05
LM11949	LM11910	0.7500	1.7810	0.6100	0.6550	0.4750	0.05	0.05
M12649	M12610	0.8437	1.9687	0.6900	0.7200	0.5500	0.05	0.05
L44649	L44610	1.0625	1.9800	0.5600	0.5800	0.4200	0.14	0.05
15123	15245	1.2500	2.4409	0.7150	0.7500	0.5625	*	0.05
LM67048	LM67010	1.2500	2.3280	0.6250	0.6600	0.4650	*	0.05
14125A	14276	1.2500	2.7170	0.7813	0.7710	0.6250	0.14	0.05
LM48548	LM48510	1.3750	2.5625	0.7100	0.7200	0.5500	*	0.05
25877	25820	1.3750	2.8750	0.9375	0.9688	0.7500	0.06	0.09
L68149	L68111	1.3775	2.3612	0.6250	0.6600	0.4700	*	0.05
LM501349	LM501314	1.6250	2.8910	0.8437	0.7800	0.6537	0.14	0.03
25580	25520	1.7500	3.2650	0.9375	1.0000	0.7500	0.14	0.03
3782	3720	1.7500	3.6718	1.1875	1.1930	0.9375	0.14	0.13
45280	45220	1.7500	4.1250	1.1875	1.2188	0.9375	0.03	0.13
JM205149A	JM205110	1.9685	3.5433	1.1024	1.1024	0.9055	0.20	0.10
LM104949	LM104911	2.0000	3.2500	0.8500	0.8750	0.6500	0.14	0.05
JM207049A	JM207010	2.1654	3.7402	1.1417	1.1417	0.9252	0.24	0.10
387A	382A	2.2500	3.8125	0.8268	0.8640	0.6250	0.14	0.03
28682	28622	2.2500	3.8437	0.9688	0.9688	0.7656	0.14	0.03
39581	39520	2.2500	4.4375	1.1875	1.1875	0.9375	0.31	0.13
555S	552A	2.2500	4.8750	1.5000	1.4440	1.1875	0.14	0.13
557A	552A	2.3750	4.8750	1.5000	1.4440	1.1875	0.31	0.13
39585	39520	2.5000	4.4375	1.1875	1.1875	0.9375	0.14	0.13
HM212047	HM212011	2.5000	4.8125	1.5000	1.5100	1.1700	0.28	0.13
3984	3920	2.6250	4.4375	1.1875	1.1830	0.9375	0.14	0.13
39590	39520	2.6250	4.4375	1.1875	1.1875	0.9375	0.14	0.13
HM212049	HM212011	2.6250	4.8125	1.5000	1.5100	1.1700	0.14	0.13
HM212049X	HM212011	2.6250	4.8125	1.5000	1.5100	1.1700	0.28	0.13

* Special Radius

HYATT®

DIV. GENERAL BEARING CORPORATION

44 High Street, West Nyack, NY 10994
Tel (845) 358-6000 ■ Fax (845) 358-7415
www.generalbearing.com

**THE
GENERAL®**

GENERAL BEARING CORPORATION
A QS-9000/ISO-9001 Certified Company

Tapered Roller Bearings consist of four basic components: the inner ring, called the cone; the outer ring, called the cup; the rolling elements, which are tapered rollers; and the roller retainer (cage). The inner ring has a shoulder called a cone rib, which makes contact with the end of the roller to ensure alignment.

Due to the tapered races, the bearing will handle any combination of radial and thrust load, and increasing the bearing cup angle will increase the ratio of thrust capacity to radial rating. Proper use of tapered roller bearings requires two opposed pairs where each applies a thrust load toward the other. The running clearance in the bearing is controlled by adjustment during installation.

METRIC SIZES

METRIC DIMENSIONS							PART NUMBER	
BORE d	OUTSIDE DIAMETER D	BEARING WIDTH T	CONE WIDTH B	CUP WIDTH C	SHAFT MAX FILLET RADIUS R	HOUSING MAX FILLET RADIUS r	CONE	CUP
17.462	39.878	13.843	14.605	10.668	1.3	1.3	LM11749	LM11710
19.050	45.237	15.494	16.637	12.065	1.3	1.3	LM11949	LM11910
21.430	50.005	17.526	18.288	13.970	1.3	1.3	M12649	M12610
26.988	50.292	14.224	14.732	10.668	*	1.3	L44649	L44610
31.750	62.000	18.161	19.050	14.288	*	1.3	15123	15245
31.750	59.131	15.875	16.764	11.811	3.5	1.3	LM67048	LM67010
31.750	69.012	19.845	19.583	15.875	3.5	1.3	14125A	14276
34.925	65.088	18.034	18.288	13.970	*	1.3	LM48548	LM48510
34.925	73.025	23.813	24.608	19.050	1.5	2.3	25877	25820
34.987	59.975	15.875	16.764	11.938	*	1.3	L68149	L68111
41.275	73.431	21.430	19.812	16.604	3.5	0.8	LM501349	LM501314
44.450	82.931	23.813	25.400	19.050	3.5	0.8	25580	25520
44.450	93.264	30.163	30.302	23.812	3.5	3.3	3782	3720
44.450	104.775	30.163	30.958	23.812	0.8	3.3	45280	45220
50.000	90.000	28.001	28.000	23.000	5.0	2.5	JM205149A	JM205110
50.800	82.550	21.590	22.225	16.510	3.5	1.3	LM104949	LM104911
55.000	95.000	28.999	29.000	23.500	6.0	2.5	JM207049A	JM207010
57.150	96.838	21.001	21.946	15.875	3.5	0.8	387A	382A
57.150	97.630	24.608	24.608	19.446	3.5	0.8	28682	28622
57.150	112.712	30.163	30.162	23.812	8.0	3.3	39581	39520
57.150	123.825	38.100	36.678	30.162	3.5	3.3	555S	552A
60.325	123.825	38.100	36.678	30.162	8.0	3.3	557A	552A
63.500	112.712	30.163	30.162	23.812	3.5	3.3	39585	39520
63.500	122.238	38.100	38.354	29.718	7.0	3.3	HM212047	HM212011
66.675	112.712	30.163	30.048	23.812	3.5	3.3	3984	3920
66.675	112.712	30.163	30.162	23.812	3.5	3.3	39590	39520
66.675	122.238	38.100	38.354	29.718	3.5	3.3	HM212049	HM212011
66.675	122.238	38.100	38.354	29.718	7.0	3.3	HM212049X	HM212011



DIV. GENERAL BEARING CORPORATION

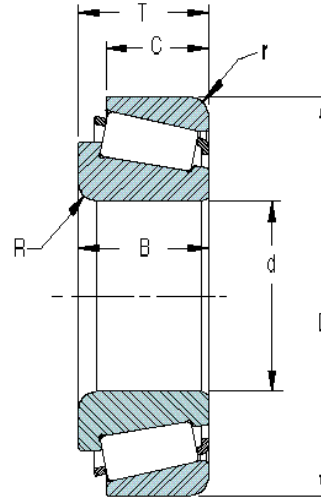
44 High Street, West Nyack, NY 10994
Tel (845) 358-6000 ■ Fax (845) 358-7415
www.generalbearing.com



GENERAL BEARING CORPORATION

A QS-9000/ISO-9001 Certified Company

HYATT® TAPERED ROLLER BEARINGS CUP AND CONE



INCH SIZES

PART NUMBER		INCH DIMENSIONS						
CONE	CUP	BORE d	OUTSIDE DIAMETER D	BEARING WIDTH T	CONE WIDTH B	CUP WIDTH C	SHAFT MAX FILLET RADIUS R	HOUSING MAX FILLET RADIUS r
29675	29630	2.7500	4.7500	1.0000	1.0000	0.7500	0.06	0.13
576	572	2.8750	5.5115	1.4375	1.4212	1.1250	0.14	0.13
33287	33462	2.8750	4.6250	1.1875	1.1875	0.9375	0.14	0.13
567	563	2.8750	5.0000	1.4735	1.4240	1.1250	0.14	0.13
575	572	3.0000	5.5115	1.4375	1.4212	1.1250	0.14	0.13
6461A	6420	3.0000	5.8750	2.1250	2.1350	1.7500	0.38	0.13
47679	47620	3.0000	5.2500	1.3125	1.3125	1.0313	0.14	0.13
496	493	3.1875	5.3750	1.1875	1.1720	0.8750	0.14	0.13
580	572	3.2500	5.5115	1.4375	1.4212	1.1250	0.14	0.13
663	653	3.2500	5.7500	1.6250	1.6250	1.2500	0.14	0.13
582	572	3.2500	5.5115	1.4375	1.4212	1.1250	0.27	0.13
HM516449C	HM516410	3.2500	5.2500	1.5625	1.5625	1.2813	0.14	0.13
47687	47620	3.2500	5.2500	1.3125	1.3125	1.0313	0.27	0.13
47686	47620	3.2500	5.2500	1.3125	1.3125	1.0313	0.14	0.13
749	742	3.3475	5.9090	1.7500	1.8375	1.4375	0.14	0.13
497	493	3.3750	5.3750	1.1875	1.1720	0.8750	0.14	0.13
HM518445	HM518410	3.5000	6.0000	1.5625	1.5625	1.1875	0.25	0.13
6580	6535	3.5000	6.3750	2.1250	2.1693	1.6875	0.14	0.13
HM218248	HM218210	3.5423	5.7864	1.5748	1.5748	1.2795	0.28	0.14
598A	592A	3.6250	6.0000	1.5625	1.4300	1.1875	0.25	0.13
594A	592A	3.7500	6.0000	1.5625	1.4300	1.1875	0.20	0.13
864	854	3.7500	7.5000	2.2500	2.2650	1.7500	0.31	0.13
52400	52618	4.0000	6.1875	1.4375	1.4219	1.0313	0.14	0.13
687	672	4.0000	6.6250	1.6250	1.6250	1.1875	0.14	0.13
780	772	4.0000	7.1250	1.8750	1.8900	1.5000	0.14	0.13
782	772	4.1250	7.1250	1.8750	1.8900	1.5000	0.14	0.13

* Special Radius

HYATT®

DIV. GENERAL BEARING CORPORATION

44 High Street, West Nyack, NY 10994
Tel (845) 358-6000 ■ Fax (845) 358-7415
www.generalbearing.com

**THE
GENERAL®**

GENERAL BEARING CORPORATION
A QS-9000/ISO-9001 Certified Company

Hyatt Tapered Roller Bearings continue to be made to the highest design and quality levels, and include such features as:

- Super clean steel for rollers and races
- Superior dimensional and surface finish controls
- Optimum geometry, including roundness, profile and angle
- Crowned rollers and race pathways
- Extremely close roller diameter variation within any assembly
- High strength steel cages
- Low vibration levels tested 100%

Suggested applications include truck front wheels, truck driven wheels, trailer axles and truck axle differentials.

METRIC SIZES

METRIC DIMENSIONS							PART NUMBER	
BORE d	OUTSIDE DIAMETER D	BEARING WIDTH T	CONE WIDTH B	CUP WIDTH C	SHAFT MAX FILLET RADIUS R	HOUSING MAX FILLET RADIUS r	CONE	CUP
69.850	120.650	25.400	25.400	19.050	1.5	3.3	29675	29630
73.025	139.992	36.513	36.098	28.575	3.5	3.3	576	572
73.025	117.475	36.163	36.162	23.812	3.5	3.3	33287	33462
73.025	127.000	36.513	30.170	28.575	3.5	3.3	567	563
76.200	139.992	36.513	36.098	28.575	3.5	3.3	575	572
76.200	149.225	53.975	54.229	44.450	9.7	3.3	6461A	6420
76.200	133.350	33.338	33.338	26.195	3.5	3.3	47679	47620
80.962	136.525	30.163	29.769	22.225	3.5	3.3	496	493
82.550	139.992	36.513	36.098	28.575	3.5	3.3	580	572
82.550	146.050	41.275	41.275	31.750	3.5	3.3	663	653
82.550	139.992	36.513	36.098	28.575	6.8	3.3	582	572
82.550	133.350	39.688	39.688	32.545	3.5	3.3	HM516449C	HM516410
82.550	133.350	33.338	33.338	26.195	6.8	3.3	47687	47620
82.550	133.350	33.338	33.338	26.195	3.5	3.3	47686	47620
85.026	150.089	44.450	46.672	36.512	3.5	3.3	749	742
85.725	136.525	30.163	29.769	22.225	3.5	3.3	497	493
88.900	152.400	39.688	39.688	30.162	6.4	3.3	HM518445	HM518410
89.900	161.925	53.975	55.100	42.862	3.5	3.3	6580	6535
89.975	146.975	40.000	40.000	32.500	7.0	3.5	HM218248	HM218210
92.075	152.400	39.688	36.322	30.162	6.4	3.3	598A	592A
95.250	152.400	39.688	36.322	30.162	5.0	3.3	594A	592A
95.250	190.500	57.150	57.531	44.450	8.0	3.3	864	854
101.600	157.162	36.513	36.116	26.195	3.5	3.3	52400	52618
101.600	168.275	41.275	41.275	30.162	3.5	3.3	687	672
101.600	180.975	47.625	48.006	38.100	3.5	3.3	780	772
104.775	180.975	47.625	48.006	38.100	3.5	3.3	782	772