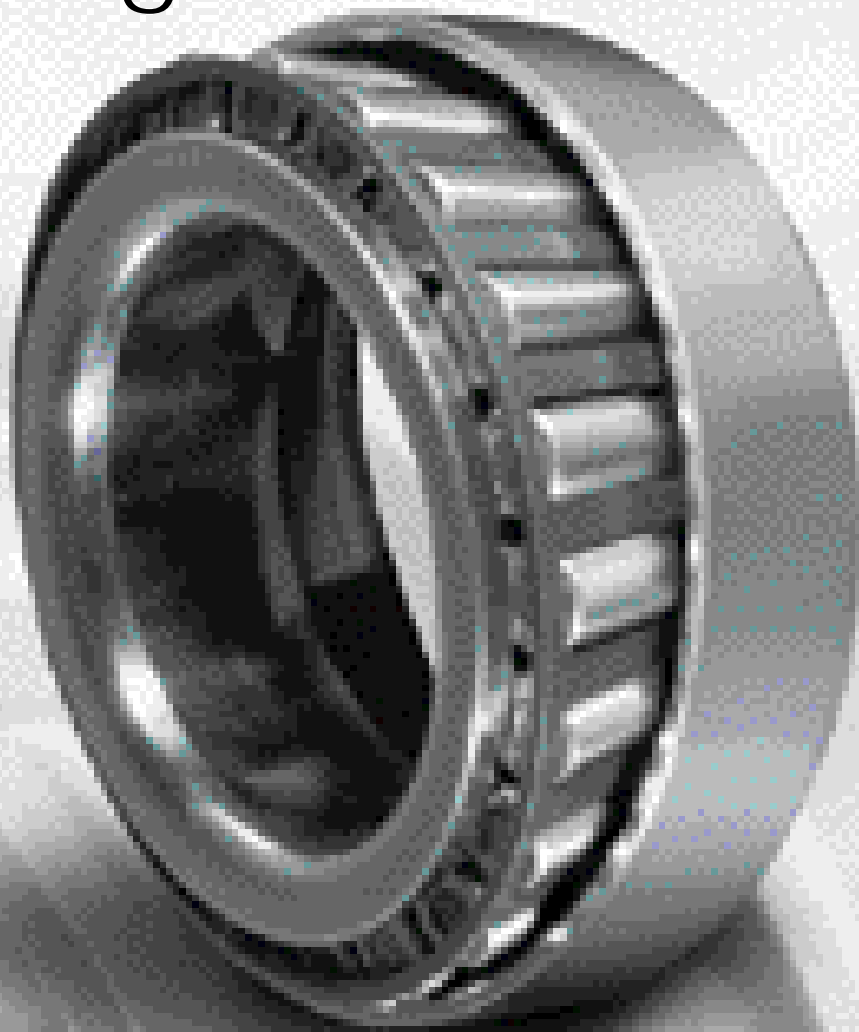


HYATT

Tapered Roller Bearings



A QS-9000/ISO-9001 Certified Company

HYATT

Tapered Roller Bearings

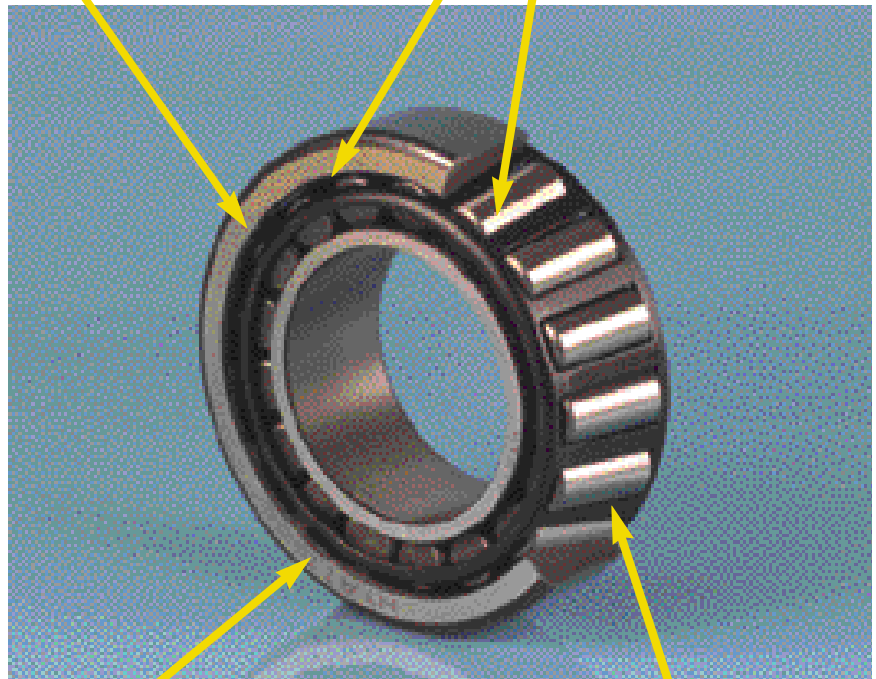


Crowned Raceways and Rollers

- Even Load Distribution with Misalignment
- Long Life

Superior Dimensional and Surface Finish

- Low Vibration
- Long Life



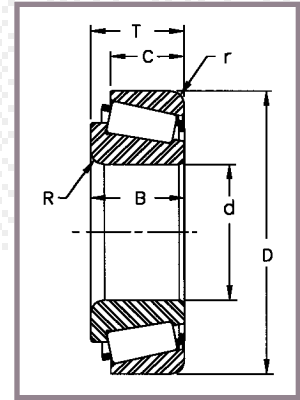
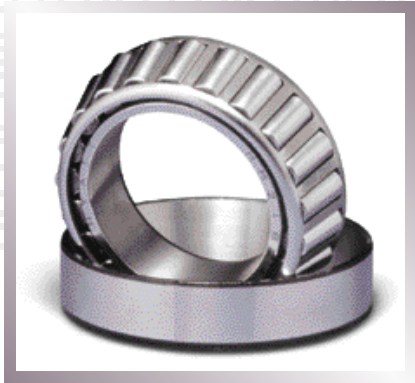
52100 Through Hardened Steel

- Dimensional Stability
- High Strength to Fracture
- Extended Life even in Contaminated Lubricant

High Strength Steel Cage

- Long Life

TAPERED ROLLER BEARINGS



Inch							Part Number		Metric						
Bore d	OD D	Bearing Width T	Cone Width B	Cup Width C	Shaft Max Fillet Radius R	Housing Max Fillet Radius r	Cone	Cup	Bore d	OD D	Bearing Width T	Cone Width B	Cup Width C	Shaft Max Fillet Radius R	Housing Max Fillet Radius r
1.3750	2.8750	0.9375	0.9688	0.7500	0.06	0.09	25877	25820	34.925	73.025	23.813	24.608	19.050	1.5	2.3
1.7500	3.6718	1.1875	1.1930	0.9375	0.14	0.13	3782	3720	44.450	93.264	30.163	30.302	23.812	3.5	3.3
1.7500	4.1250	1.1875	1.2188	0.9375	0.03	0.13	45280	45220	44.450	104.775	30.163	30.958	23.812	0.8	3.3
1.9685	3.5433	1.1024	1.1024	0.9055	0.20	0.10	JM205149A	JM205110	50.000	90.000	28.001	28.000	23.000	5.0	2.5
2.1654	3.7402	1.1417	1.1417	0.9252	0.24	0.10	JM207049A	JM207010	55.000	95.000	28.999	29.000	23.500	6.0	2.5
2.2500	3.8437	0.9688	0.9688	0.7656	0.14	0.03	28682	28622	57.150	97.630	24.608	24.608	19.446	3.5	0.8
2.2500	4.4375	1.1875	1.1875	0.9375	0.31	0.13	39581	39520	57.150	112.712	30.163	30.162	23.812	8.0	3.3
2.2500	4.8750	1.5000	1.4440	1.1875	0.14	0.13	555S	552A	57.150	123.825	38.100	36.678	30.162	3.5	3.3
2.3750	4.8750	1.5000	1.4440	1.1875	0.31	0.13	557A	552A	60.325	123.825	38.100	36.678	30.162	8.0	3.3
2.5000	4.4375	1.1875	1.1875	0.9375	0.14	0.13	39585	39520	63.500	112.712	30.163	30.162	23.812	3.5	3.3
2.5000	4.8125	1.5000	1.5100	1.1700	0.28	0.13	HM212047	HM212011	63.500	122.238	38.100	38.354	29.718	7.0	3.3
2.6250	4.4375	1.1875	1.1875	0.9375	0.14	0.13	39590	39520	66.675	112.712	30.163	30.162	23.812	3.5	3.3
2.6250	4.8125	1.5000	1.5100	1.1700	0.14	0.13	HM212049	HM212011	66.675	122.238	38.100	38.354	29.718	3.5	3.3
2.6250	4.8125	1.5000	1.5100	1.1700	0.28	0.13	HM212049X	HM212011	66.675	122.238	38.100	38.354	29.718	7.0	3.3
2.7500	4.7500	1.0000	1.0000	0.7500	0.06	0.13	29675	29630	69.850	120.650	25.400	25.400	19.050	1.5	3.3
2.8750	4.6250	1.1875	1.1875	0.9375	0.14	0.13	33287	33462	73.025	117.475	30.163	30.162	23.812	3.5	3.3
2.8750	5.0000	1.4735	1.4240	1.1250	0.14	0.13	567	563	73.025	127.000	36.513	36.170	28.575	3.5	3.3
2.8750	5.5115	1.4375	1.4212	1.1250	0.14	0.13	576	572	73.025	139.992	36.513	36.098	28.575	3.5	3.3
3.0000	5.2500	1.3125	1.3125	1.0313	0.14	0.13	47679	47620	76.200	133.350	33.338	33.338	26.195	3.5	3.3
3.0000	5.5115	1.4375	1.4212	1.1250	0.14	0.13	575	572	76.200	139.992	36.513	36.098	28.575	3.5	3.3

Inch							Part Number		Metric						
Bore d	OD D	Bearing Width T	Cone Width B	Cup Width C	Shaft Max Fillet Radius R	Housing Max Fillet Radius r	Cone	Cup	Bore d	OD D	Bearing Width T	Cone Width B	Cup Width C	Shaft Max Fillet Radius R	Housing Max Fillet Radius r
3.0000	5.8750	2.1250	2.1350	1.7500	0.38	0.13	6461A	6420	76.200	149.225	53.975	54.229	44.450	9.7	3.3
3.1875	5.3750	1.1875	1.1720	0.8750	0.14	0.13	496	493	80.962	136.525	30.163	29.769	22.225	3.5	3.3
3.2500	5.2500	1.3125	1.3125	1.0313	0.14	0.13	47686	47620	82.550	133.350	33.338	33.338	26.195	3.5	3.3
3.2500	5.2500	1.3125	1.3125	1.0313	0.27	0.13	47687	47620	82.550	133.350	33.338	33.338	26.195	6.8	3.3
3.2500	5.2500	1.5625	1.5625	1.2813	0.14	0.13	HMS16449C	HM516410	82.550	133.350	39.688	39.688	32.545	3.5	3.3
3.2500	5.5115	1.4375	1.4212	1.1250	0.14	0.13	580	572	82.550	139.992	36.513	36.098	28.575	3.5	3.3
3.2500	5.5115	1.4375	1.4212	1.1250	0.27	0.13	582	572	82.550	139.992	36.513	36.098	28.575	6.8	3.3
3.2500	5.7500	1.6250	1.6250	1.2500	0.14	0.13	663	653	82.550	146.050	41.275	41.275	31.750	3.5	3.3
3.3475	5.9090	1.7500	1.8375	1.4375	0.14	0.13	749	742	85.026	150.089	44.450	46.672	36.512	3.5	3.3
3.3750	5.3750	1.1875	1.1720	0.8750	0.14	0.13	497	493	85.725	136.525	30.163	29.769	22.225	3.5	3.3
3.5000	6.0000	1.5625	1.5625	1.1875	0.25	0.13	HM518445	HM518410	88.900	152.400	39.688	39.688	30.162	6.4	3.3
3.5000	6.3750	2.1250	2.1693	1.6875	0.14	0.13	6580	6535	89.900	161.925	53.975	55.100	42.862	3.5	3.3
3.5423	5.7864	1.5748	1.5748	1.2795	0.28	0.14	HM218248	HM218210	89.975	146.975	40.000	40.000	32.500	7.0	3.5
3.6250	6.0000	1.5625	1.4300	1.1875	0.25	0.13	598A	592A	92.075	152.400	39.688	36.322	30.162	6.4	3.3
3.7500	6.0000	1.5625	1.4300	1.1875	0.20	0.13	594A	592A	95.250	152.400	39.688	36.322	30.162	5.0	3.3
3.7500	7.5000	2.2500	2.2650	1.7500	0.31	0.13	864	854	95.250	190.500	57.150	57.531	44.450	8.0	3.3
4.0000	6.1875	1.4375	1.4219	1.0313	0.14	0.13	52400	52618	101.600	157.162	36.513	36.116	26.195	3.5	3.3
4.0000	6.6250	1.6250	1.6250	1.1875	0.14	0.13	687	672	101.600	168.275	41.275	41.275	30.162	3.5	3.3
4.0000	7.1250	1.8750	1.8900	1.5000	0.14	0.13	780	772	101.600	180.975	47.625	48.006	38.100	3.5	3.3
4.1250	7.1250	1.8750	1.8900	1.5000	0.14	0.13	782	772	104.775	180.975	47.625	48.006	38.100	3.5	3.3

HYATT[®]

Div. General Bearing Corporation

44 High Street

West Nyack, NY 10994

Phone (845) 358-6000

Fax (845) 358-7414

gbcsales@worldnet.att.net

www.generalbearing.com

HYATT is a registered trademark of
General Motors Corporation used under license.