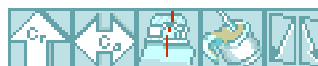
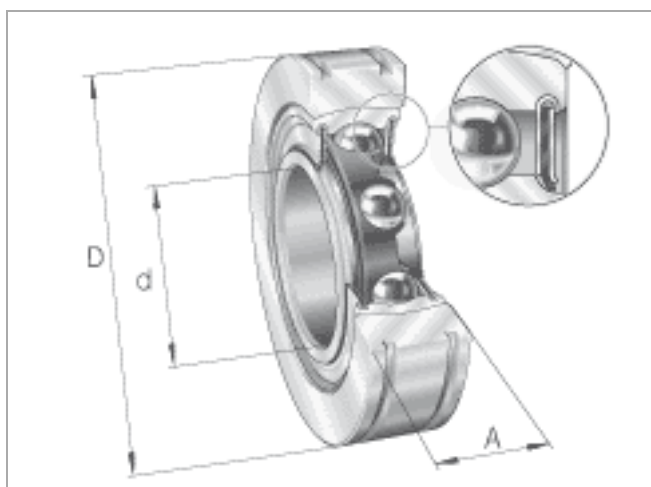




Radial insert ball bearings BE

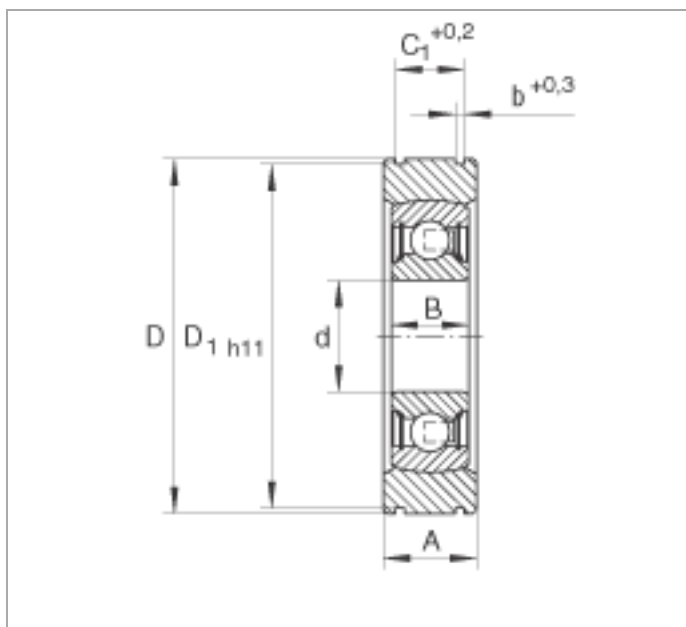
with steel aligning ring, P seals on both sides

The datasheet is only an overview of dimensions and basic load ratings for the selected series. Please ensure that you note all the guidance in these overview pages. Further information is given on many products under the menu item "Description". You can also obtain comprehensive information material via Catalogue selection (www.ina.de/media-service), by e-mail (kataloge@de.ina.com) or telephone +49 (91 32) 82 - 28 97.



	d mm	D mm	A mm
BE20	20	55	16
BE25	25	62	17
BE30	30	72	21
BE35	35	80	21
BE40	40	90	25

Figure 1



BE20

d	20 mm	
D	55 mm	Before splitting, dimension D corresponds to tolerance class PN according to DIN 620-2
A	16 mm	
B	14 mm	
b	1,6 mm	Tolerance: +0,3
C ₁	11,2 mm	Tolerance: +0,2
D ₁	53,5 mm	Tolerance: h11
m	0,19 kg	Mass
C _r	12800 N	Basic dynamic load rating, radial
C _{0r}	6600 N	Basic static load rating, radial
	ESR47/55	Designation of housing
	204-NPP-B	Designation of bearing

BE25

d	25 mm	
D	62 mm	Before splitting, dimension D corresponds to tolerance class PN according to DIN 620-2
A	17 mm	
B	15 mm	
b	1,6 mm	Tolerance: +0,3
C ₁	11,2 mm	
D ₁	60,5 mm	
m	0,25 kg	Mass
C _r	14000 N	Basic dynamic load rating, radial
C _{0r}	7800 N	Basic static load rating, radial
	ESR47/55	Designation of housing
	205-NPP-B	Designation of bearing

BE30

d	30 mm	
D	72 mm	Before splitting, dimension D corresponds to tolerance class PN according to DIN 620-2
A	21 mm	
B	16 mm	
b	2,2 mm	Tolerance: +0,3
C ₁	14,4 mm	
D ₁	70,2 mm	
m	0,37 kg	Mass
C _r	19500 N	Basic dynamic load rating, radial
C _{0r}	11300 N	Basic static load rating, radial
	ESR52/62	Designation of housing
	206-NPP-B	Designation of bearing

BE35

d	35 mm	
D	80 mm	Before splitting, dimension D corresponds to tolerance class PN according to DIN 620-2
A	21 mm	
B	17 mm	
b	2,2 mm	Tolerance: +0,3
C ₁	14,4 mm	
D ₁	78,2 mm	
m	0,45 kg	Mass
C _r	25500 N	Basic dynamic load rating, radial
C _{0r}	15300 N	Basic static load rating, radial
	ESR52/62	Designation of housing
	207-NPP-B	Designation of bearing

BE40

d	40 mm	
D	90 mm	Before splitting, dimension D corresponds to tolerance class PN according to DIN 620-2
A	25 mm	
B	18 mm	
b	2,7 mm	Tolerance: +0,3
C ₁	15,4 mm	
D ₁	88 mm	
m	0,63 kg	Mass
C _r	32500 N	Basic dynamic load rating, radial
C _{0r}	19800 N	Basic static load rating, radial
	ESR62/72	Designation of housing
	208-NPP-B	Designation of bearing