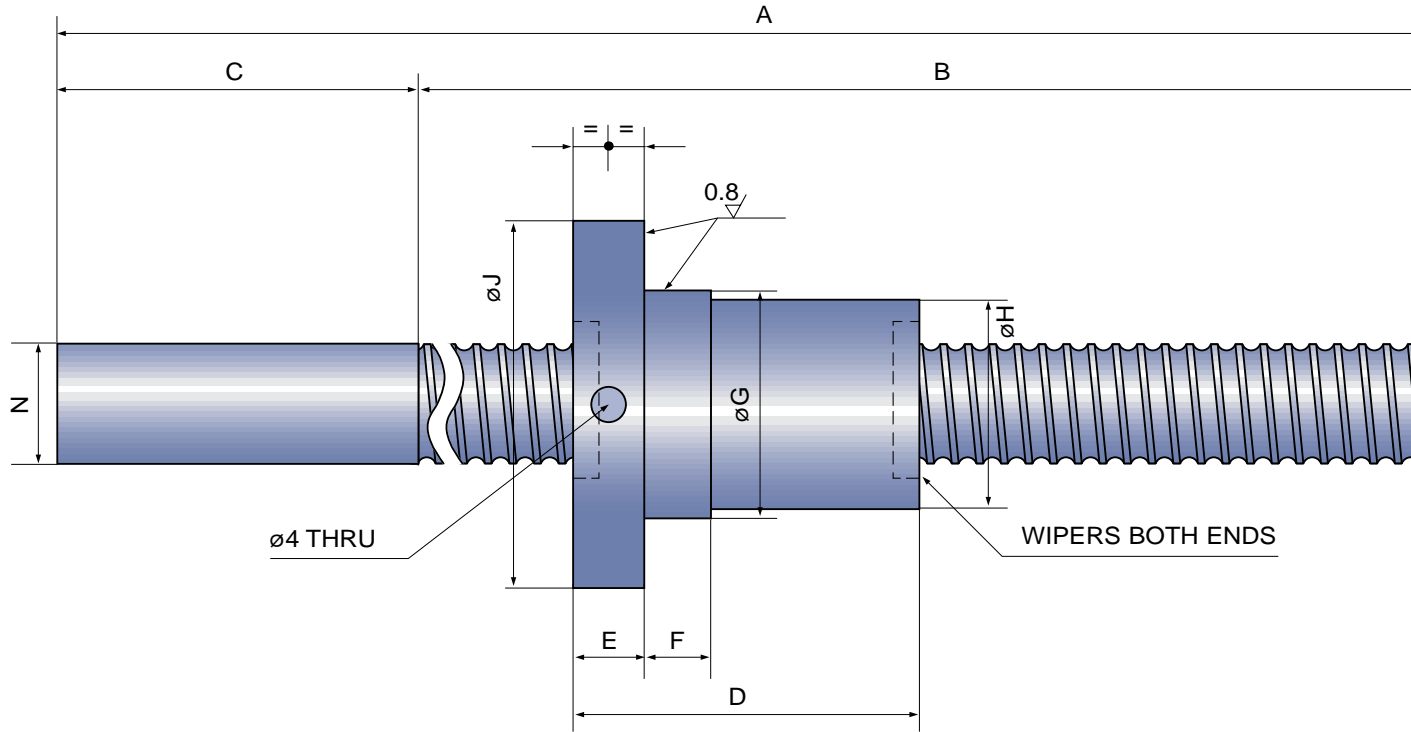


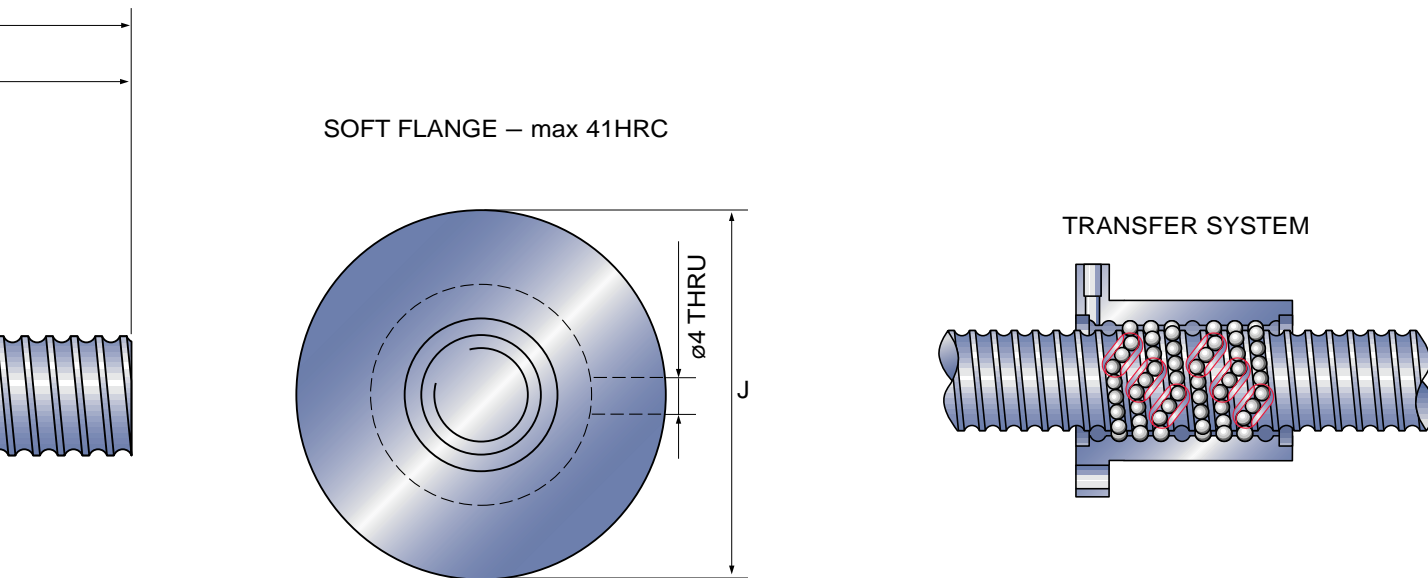
JTe3 SERIES - INSERT TRANSFER NUT

PRECISION GRADE 3 METRIC LEAD BALLSCREWS  
SOFT FLANGED – SINGLE NUT – PRE-LOADED



| JTe3 SERIES - INSERT TRANSFER NUT |     |      |      |         |     |     |    |    |                    |
|-----------------------------------|-----|------|------|---------|-----|-----|----|----|--------------------|
| PART NO                           | PCD | LEAD | A    | B (Max) | C   | D   | E  | F  | G                  |
| JTe3-3212*                        | 32  | 12   | 1700 | 1500    | 200 | 92  | 12 | 16 | 49,991 .... 49,975 |
| JTe3-4006**                       | 40  | 6    | 2200 | 2000    | 200 | 92  | 14 | 10 | 55,990 .... 55,971 |
| JTe3-4008**                       | 40  | 8    | 2200 | 2000    | 200 | 98  | 14 | 12 | 55,990 .... 55,971 |
| JTe3-5010**                       | 50  | 10   | 2700 | 2500    | 200 | 142 | 16 | 16 | 71,990 .... 71,971 |
| JTe3-6305**                       | 63  | 5    | 3200 | 3000    | 200 | 81  | 18 | 10 | 78,990 .... 78,971 |
| JTe3-6310**                       | 63  | 10   | 3500 | 3300    | 200 | 156 | 18 | 16 | 84,988 .... 84,966 |
| JTe3-6312**                       | 63  | 12   | 3500 | 3300    | 200 | 145 | 20 | 16 | 89,988 .... 89,966 |

\* BALL SELECTION  
\*\* PITCH SHIFT



| H                                  | J (min) | N  | BALL DIA | NUMBER OF TURNS | PRELOAD daN | PRELOAD TORQUE daNcm | DYNAMIC RATING             |                              | STATIC RATING daN | RIGIDITY daN/μm |
|------------------------------------|---------|----|----------|-----------------|-------------|----------------------|----------------------------|------------------------------|-------------------|-----------------|
|                                    |         |    |          |                 |             |                      | 1x10 <sup>6</sup> Revs daN | 2.5x10 <sup>6</sup> Revs daN |                   |                 |
| 50 <sup>-0,2</sup> <sub>-0,3</sub> | 90      | 31 | 4,500    | 4               | 127         | 1,6                  | 2550                       | 1880                         | 5200              | 58              |
| 56 <sup>-0,2</sup> <sub>-0,3</sub> | 93      | 39 | 4,500    | 4+4             | 350         | 5,6                  | 3500                       | 2580                         | 8550              | 92              |
| 56 <sup>-0,2</sup> <sub>-0,3</sub> | 93      | 39 | 4,500    | 3+3             | 275         | 4,4                  | 2750                       | 2030                         | 6400              | 73              |
| 72 <sup>-0,2</sup> <sub>-0,3</sub> | 115     | 48 | 7,144    | 4+4             | 740         | 14,8                 | 7400                       | 5450                         | 17400             | 124             |
| 79 <sup>-0,2</sup> <sub>-0,3</sub> | 130     | 62 | 3,500    | 4+4             | 300         | 7,6                  | 3000                       | 2210                         | 11000             | 110             |
| 85 <sup>-0,2</sup> <sub>-0,3</sub> | 139     | 61 | 7,144    | 5+5             | 980         | 24,7                 | 9800                       | 7220                         | 27000             | 174             |
| 90 <sup>-0,2</sup> <sub>-0,3</sub> | 144     | 61 | 9,000    | 3+3             | 870         | 22,0                 | 8700                       | 6410                         | 20600             | 116             |