

# Koyo®



## Needle Roller Bearings

**JTEKT**

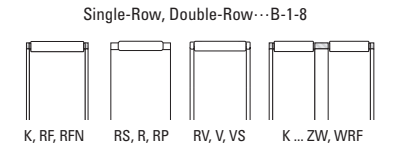
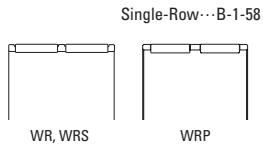
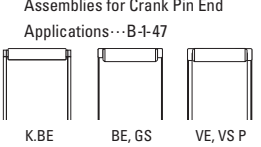
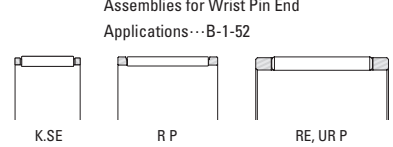
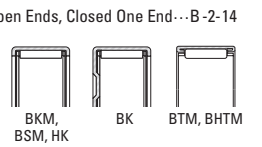
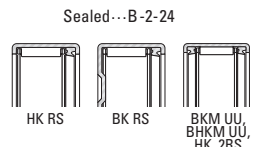
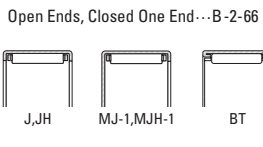
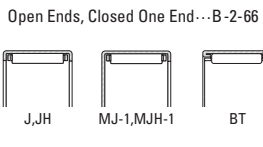
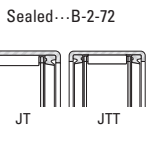
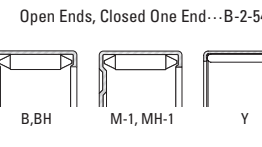
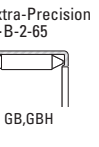
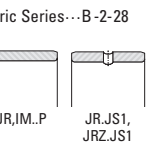
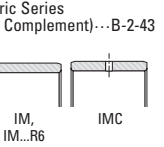
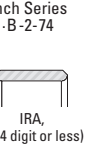
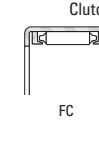
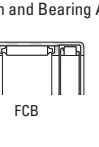
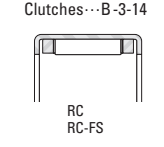
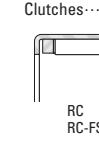
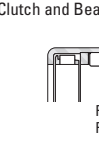
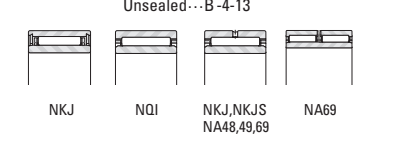
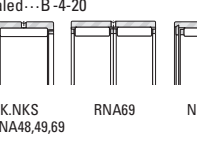
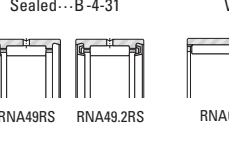
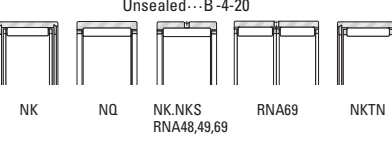
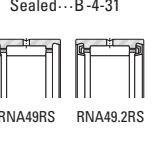
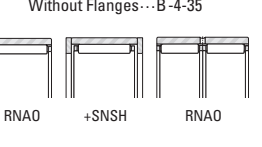
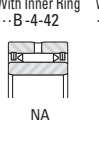
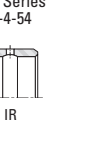
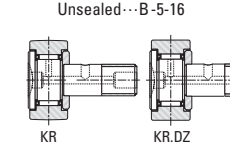
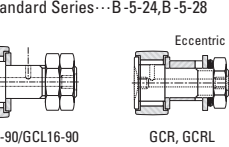
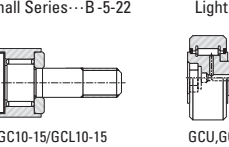
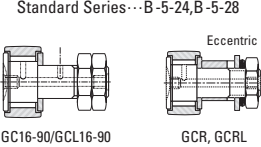
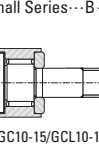
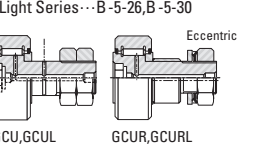
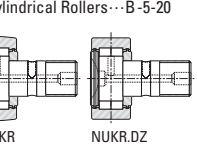
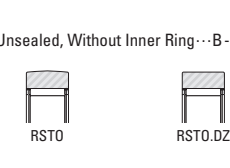
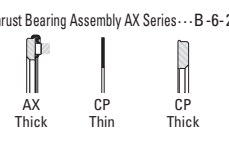
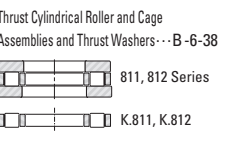
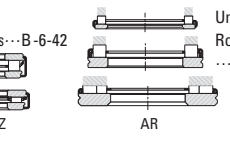
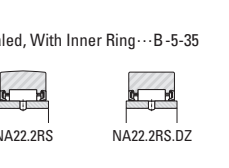
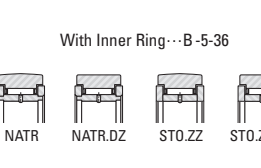

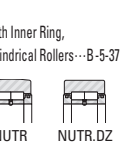

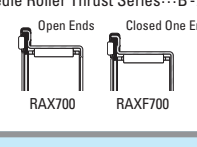


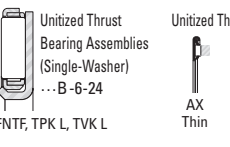
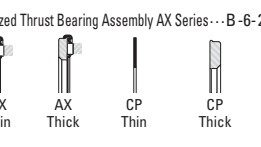
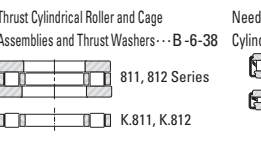
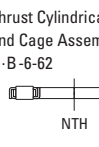
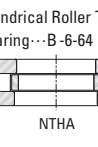
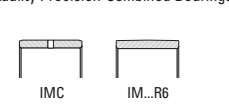
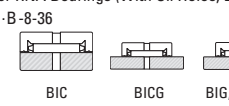

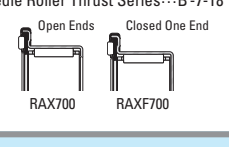


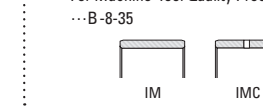
JTEKT CORPORATION

**JTEKT**

**Koyo** | **TOYODA**

CAT. NO. B2018E-1

# Bearing Size Chart

Radial Needle Roller and Cage Assemblies	<b>Metric Series</b> Single-Row, Double-Row...B-1-8 	<b>Inch Series</b> Single-Row...B-1-58 	Assemblies for Crank Pin End Applications...B-1-47 	Assemblies for Wrist Pin End Applications...B-1-52 							
Drawn Cup Needle Roller Bearings	<b>Metric Series (Caged)</b> Open Ends, Closed One End...B-2-14 	<b>(Full Complement)</b> Open Ends, Closed One End...B-2-38 	<b>Inch Series (Caged)</b> Open Ends, Closed One End...B-2-66 	<b>(Full Complement)</b> Sealed...B-2-72 	<b>(Full Complement)</b> Open Ends, Closed One End...B-2-54 	<b>Extra-Precision</b> ...B-2-65 	<b>Inner Rings</b> Metric Series...B-2-28 	Metric Series (Full Complement)...B-2-43 	Inch Series...B-2-74 		
Drawn Cup Roller Clutches	<b>Metric Series</b> Clutches...B-3-10 	Clutch and Bearing Assemblies...B-3-12 	For Use in Plastic Housings...B-3-19 	Clutches...B-3-14 	Clutch and Bearing Assemblies...B-3-16 						
Heavy-Duty Needle Roller Bearings	<b>Metric Series (Caged, With Inner Ring)</b> Unsealed...B-4-13 	Sealed...B-4-30 	Without Flanges...B-4-32 	<b>(Without Inner Ring)</b> Unsealed...B-4-20 	Sealed...B-4-31 	Without Flanges...B-4-35 	<b>(Full Complement)</b> With Inner Ring...B-4-42 	Without Inner Ring...B-4-38 	Unsealed...B-4-48 	Sealed...B-4-52 	Inch Series...B-4-54 
Track Rollers	<b>Metric Series (Caged)</b> Unsealed...B-5-16 	Sealed...B-5-18 	Unsealed...B-5-20 	<b>(Full Complement)</b> Standard Series...B-5-24,B-5-28 	Small Series...B-5-22 	Light Series...B-5-26,B-5-30 	Eccentric Cylindrical Rollers...B-5-20 				
	<b>Metric Series (Caged, Without End Washers)</b> Unsealed, Without Inner Ring...B-5-32 	Unsealed, With Inner Ring...B-5-33 	Sealed, Without Inner Ring...B-5-34 	Sealed, With Inner Ring...B-5-35 	<b>(Caged, With End Washers)</b> With Inner Ring...B-5-36 	<b>(Full Complement, With End Washers)</b> Small Series...B-5-38 	Non-Separable...B-5-39 	Without Inner Ring...B-5-44 	With Inner Ring, Cylindrical Rollers...B-5-37 	Non-Separable, Light Series, Heavy Series...B-5-41 	
Thrust Bearings, Assemblies, Washers	<b>Metric Series</b> Thrust Needle Roller and Cage Assemblies and Thrust Washers...B-6-12 	Unitized Thrust Bearing Assemblies (Double-Washer)...B-6-20 	Unitized Thrust Bearing Assemblies (Single-Washer)...B-6-22 	Unitized Thrust Bearing Assemblies (Single-Washer)...B-6-24 	Unitized Thrust Bearing Assembly AX Series...B-6-26 	Thrust Cylindrical Roller and Cage Assemblies and Thrust Washers...B-6-38 	Needle Rollers, Cylindrical Rollers...B-6-42 	Unitized Cylindrical Rollers...B-6-44 	Thrust Needle Roller and Cage Assemblies and Thrust Washers...B-6-52 	Thrust Cylindrical Roller and Cage Assembly...B-6-62 	Cylindrical Roller Thrust Bearing...B-6-64 
Combined Needle Roller Bearings	<b>Metric Series (Heavy-Duty, Without Inner Ring)</b> Ball Thrust Series...B-7-6 	Cylindrical Roller Thrust Series...B-7-10 	Needle Roller and Cylindrical Roller Thrust Series...B-7-14 	<b>(Drawn Cup, Without Inner Ring)</b> Needle Roller Thrust Series...B-7-18 							
Needle Rollers, Accessories	<b>Inner Rings (Caged)</b> <Metric Series> For Drawn Cup Needle Roller Bearings, Heavy-Duty...B-8-22 	<b>(Full Complement)</b> For Drawn Cup Needle Roller Bearings...B-8-32 	For Machine-Tool Quality Precision-Combined Bearings...B-8-35 	<b>End Washer</b> For RNA Bearings (With Oil Holes, Extra Wide)...B-8-36 	For Metric Series NAO and RNAO Bearings...B-8-39 						

B



★The contents of this catalog are subject to change without prior notice. Every possible effort has been made to ensure that the data herein is correct; however, JTEKT cannot assume responsibility for any errors or omissions.

Reproduction of this catalog without written consent is strictly prohibited



# **NEEDLE ROLLER BEARINGS**

**CAT. NO. B2018E**

**Value & Technology**

	1866	1900	1930	1960	1990	2010	2013
Corporate History	<ul style="list-style-type: none"> <li>•1866 Torrington is founded</li> <li>•1867 Dürkopp-Werke Bielefeld is founded</li> </ul>	<ul style="list-style-type: none"> <li>•1921 Koyo Seiko Co., Ltd. is founded</li> </ul>	<ul style="list-style-type: none"> <li>•1930 Nadella is founded</li> </ul>	<ul style="list-style-type: none"> <li>•1962 FAG purchases Dürkopp-Werke AG</li> <li>•1962 Utsunomiya Kiki Co., Ltd. joins the group</li> <li>•1984 SNR (Nadella business partner) and Torrington commence joint venture</li> <li>•1993 Torrington purchases needle bearing business from FAG</li> </ul>	<ul style="list-style-type: none"> <li>•2001 Torrington purchases Nadella business from SNR</li> <li>•2003 The Timken Company purchases Torrington</li> <li>•2006 JTEKT Corporation is born</li> <li>•2010 JTEKT purchases needle bearing business from The Timken Company</li> </ul>	<ul style="list-style-type: none"> <li>•2013 JTEKT is integrated into the <b>Koyo</b> brand</li> </ul>	



### Transition of Products

**1866**  
**Foundation of Torrington**

Founded as manufacturer of sewing machine needles and machinery to produce same

Early model swaging machine for uniform needle blanks

**invention**  
No. U.S. 43,772 (1864)  
Hopson & Brooks

**IMPROVEMENT IN POINTING WIRE FOR PINS**

This invention is the origin of the extra-precision rollers now produced by JTEKT.

**1920**  
**80% market share of automobile wire wheel parts**

Cadillac put out its entire line on dressy wire wheels. Packard and a few other major producers followed suit, as eventually did most manufacturers (except Chevrolet). At the height of the trend, over 60% of U.S. passenger cars had wire wheels, and 80% of the spokes and nipples to build them were supplied by The Torrington Company. Effectively, every other passenger car made in America had Torrington spokes and nipples in the wheels.

More than 60% of automobiles, including those made by Cadillac, adopt wire wheels. Torrington acquires 80% market share of wire wheel spokes and nipples.

As a result, one in every two U.S.-manufactured automobiles use Torrington spokes and nipples.

**Radial Needle Bearings**

**1932**  
**Development of the world's first drawn cup needle bearing**  
< Space-saving and lightweight >

**World's First invention**  
No. U.S. 2,038,474 (1932)  
E. K. Brown

**ANTIFRICTION BEARING AND METHOD OF MAKING THE SAME**

**1957**  
**Development of caged drawn cup needle bearing**  
< Improved lubrication and support for higher speeds >

Increased lubricant retention capability  
Separated rollers using cages

**Thrust Needle Bearings**

**1955**  
**Development of the world's first thrust needle bearing: contribution to the progress of AT development**  
< Lower torque and improved durability >

**World's First invention**  
No. U.S. 2,724,625 (1955)  
R. H. White

**NEEDLE ROLLER THRUST BEARING**

Development of the thrust needle bearing solved problems in early automatic transmissions.

**Planetary Gear Shafts**

**1971**  
**Development of induction-hardened planetary gear shaft**

**2001**  
**Cold forging hole processing of planetary gear shaft**

< Improved installation capability >

**1968**  
**Development of thick-wall drawn cup bearing**  
< High capacity >

Applications in axles, transmissions, pumps and motors

**1996**  
**Development of controlled stress thick-wall drawn cup needle bearing**  
< Longer life > Cup bore is profiled.

Reduced contact pressure on cup and shaft

< Higher speed, lower torque, and supports thin film lubricant >  
Optimization of washer and cage shapes

**2008**  
**Development of thrust needle bearing for high-speed applications**

High-speed, lower torque, supports low amounts of lubrication  
Improved lubricity  
Reduced roller end wear

**2011**  
**Development of noise-reduced thrust needle bearing**  
< Noise reduction >

Vibration-resistant  
Custom-shaped resin is installed on the back side of the thrust washer.

## Regarding the Publishing of this Needle Roller Bearing Catalog

Thank you very much for your patronage of **Koyo** brand products.

In terms of environmental friendliness, there has been a rapidly increasing demand for smaller, lighter products, as well as lower friction, higher reliability, and higher functionality in many different industrial fields.

Our needle roller bearings are the optimal solution to all such requirements.

In 2010, as part of JTEKT's continual process for improvement in the needle roller bearing business, we integrated the technology of Torrington, a company with a long history in the United States and Europe, into the Koyo brand of traditional needle roller bearings.

In 2013, the Koyo brand will take the next step in this line of business to pursue stronger distribution and production structures and further technological development with the aim to accommodate our customers' needs on a global scale.

On this occasion, JTEKT has fully renewed its needle roller bearing catalog, which we present here.

We believe that this new catalog will prove useful in your selection and use of our needle roller bearings.

We look forward to your continued patronage.

# INDEX

## NEEDLE ROLLER BEARING APPLICATIONS

Automobile Field .....	8
Engine .....	10
Engine Accessories .....	11
Transmission .....	12
Steering Systems .....	13
Drive-lines .....	14
Industrial Machinery Field .....	15
Wind Power Generation .....	17

## A

### ENGINEERING

Bearing Types .....	A-3
Needle Roller Bearing Selection .....	A-4
Bearing Reactions, Equivalent Loads and Bearing Life .....	A-5
Mounting Designs .....	A-9
Shaft Designs .....	A-11
Housing Designs .....	A-12
Fits .....	A-13
Clearance .....	A-15
Lubrication .....	A-16
Limiting Speeds .....	A-22
Bearing Tolerances, Inch and Metric .....	A-23
Examples of Bearing Failures .....	A-36

## B

### NEEDLE ROLLER BEARINGS

Radial Needle Roller and Cage Assemblies .....	B-1-1
Drawn Cup Needle Roller Bearings .....	B-2-1
Drawn Cup Roller Clutches .....	B-3-1
Heavy-Duty Needle Roller Bearings .....	B-4-1
Track Rollers .....	B-5-1
Thrust Bearings, Assemblies, Washers .....	B-6-1
Combined Needle Roller Bearings .....	B-7-1
Needle Rollers, Accessories .....	B-8-1

## C

### SUPPLEMENTARY TABLES

Supplementary table 1 SI units and conversion factors .....	C-2
Supplementary table 2 Steel hardness numbers .....	C-6
Supplementary table 3 Inch/millimeter conversion .....	C-7
Supplementary table 4 °C / °F conversion .....	C-8
Supplementary table 5 Viscosity conversion .....	C-9
Index .....	C-10

# NEEDLE ROLLER BEARINGS

## PRODUCT BREADTH

**DRAWN CUP NEEDLE ROLLER BEARINGS**, available in 3 mm to 139.7 mm bore ( $1/8$  to  $5\ 1/2$  in), are designed to support radial loads and reduce friction between rotating components. The low cross section of the drawn cup bearing provides maximum load-carrying capability with minimum space required.

**DRAWN CUP ROLLER CLUTCHES AND BEARING ASSEMBLIES**, available in 3 to 35 mm bore ( $1/8$  to  $1\ 3/8$  in), are designed to transmit torque between the shaft and housing in one direction and allow free overrun in the opposite direction. When transmitting torque, either the shaft or the housing can be the input member.

**RADIAL NEEDLE ROLLER AND CAGE ASSEMBLIES**, available in 3 mm to 165 mm bore ( $1/8$  to  $6\ 1/2$  in), consist of a complement of needle rollers held in place by a cage. With no inner or outer ring, the low cross section provides maximum load-carrying capability within the smallest envelope. The mating shaft and housing are normally used as inner and outer raceways.

**NEEDLE ROLLER THRUST BEALINGS**, available in 5 mm to 160 mm ( $3/16$  to  $6\ 1/4$  in) bore, consist of a complement of needle rollers held in place by a cage.

Needle roller thrust bealings are complements of small diameter needle rollers arranged in a spoke-like configuration. Needle rollers are equally spaced by means of a cage whose web section separates the rollers and provides guidance to keep them tracking in an orbital path. The purpose of these assemblies is to transmit a thrust load between two relatively rotating objects while greatly reducing friction.

Needle roller thrust bealings also can be unitized with lipped washers which service as raceway surfaces for the needle rollers. Washers can be supplied separately or can be mechanically unitized to the needle roller thrust assemblies for ease of handling.

**HEAVY-DUTY NEEDLE ROLLER BEARINGS**, available in 5 mm to 335 mm bore ( $3/16$  to  $13\ 3/16$  in), consist of a machined and ground channel-shaped outer ring with a complement of needle rollers retained and guided by a cage. The thick outer ring provides maximum load capacity and shock resistance with a relatively small radial cross section.

**TRACK ROLLERS/CAM FOLLOWERS**, available in 10 mm to 300 mm O.D. ( $3/8$  to  $11\ 13/16$  in), are characterized by their thick-walled outer rings that run directly on a track. The thick outer rings permit high load-carrying capability while minimizing distortion and bending stresses.

**ENGINE BEARINGS** include a full line of advanced bearing assemblies for automotive engine valve trains. These assemblies help reduce friction and optimize performance in both overhead valve and overhead cam engines. They include roller rocker arms for overhead valve (pushrod) engines, roller finger followers for overhead cam engines, valve lifter rollers for overhead valve and overhead cam engines.

**PRECISION NEEDLE ROLLERS** have multiple uses in a variety of industries including automotive, truck, farm and construction equipment, two-cycle engines, outboard engines and consumer durables. Needle rollers are mainly used as bearing rolling elements to transmit torque and reduce friction. They also can serve as precision shafts or as precision locating pins.

**PLANETARY GEAR SHAFTS** have multiple uses in a variety of industries including automotive, truck and farm and construction equipment. The shafts are used in planetary gear sets, differentials and engine valve trains.

**PRECISION PINS AND SHAFTS** are crafted from the highest quality steel within a TS16949/ISO9000/AS9100-certified manufacturing facility. Pins and shafts come in a larger variety of configurations and materials and flexible product volumes. These pins and shafts are found in applications such as gasoline fuel systems components, diesel systems components, aerospace rollers and precision rollers (DFAR-compliant), planet pins, racing applications, rollers for bearing assemblies, gear shafts and steering column pins.

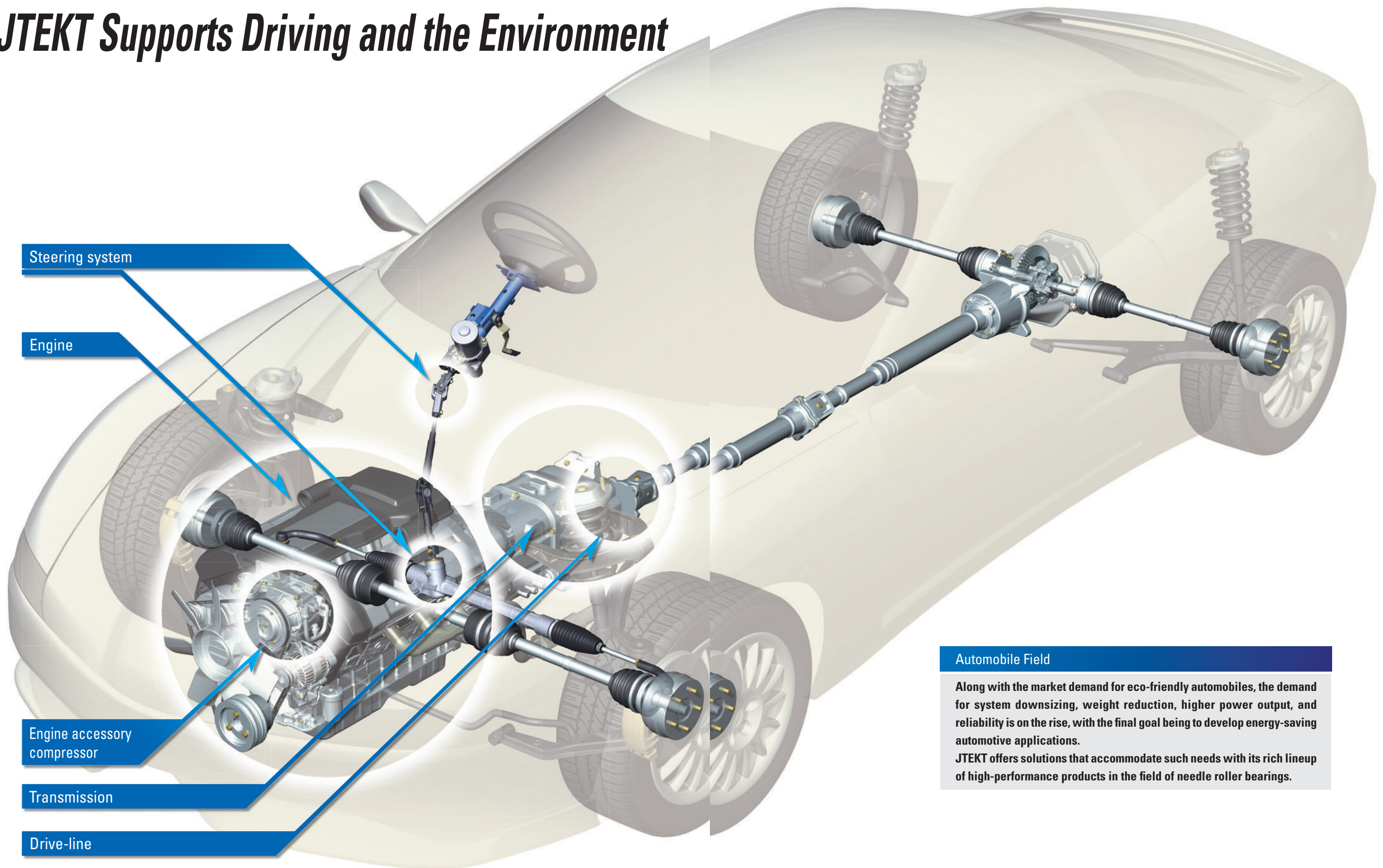


# APPLICATIONS

## NEEDLE ROLLER BEARING APPLICATIONS

<i>Automobile Field</i> .....	8
<i>Engine</i> .....	10
<i>Engine Accessories</i> .....	11
<i>Transmission</i> .....	12
<i>Steering Systems</i> .....	13
<i>Drive-lines</i> .....	14
<i>Industrial Machinery Field</i> .....	15
<i>Wind Power Generation</i> .....	17

# JTEKT Supports Driving and the Environment



## Automobile Field

Along with the market demand for eco-friendly automobiles, the demand for system downsizing, weight reduction, higher power output, and reliability is on the rise, with the final goal being to develop energy-saving automotive applications.

JTEKT offers solutions that accommodate such needs with its rich lineup of high-performance products in the field of needle roller bearings.

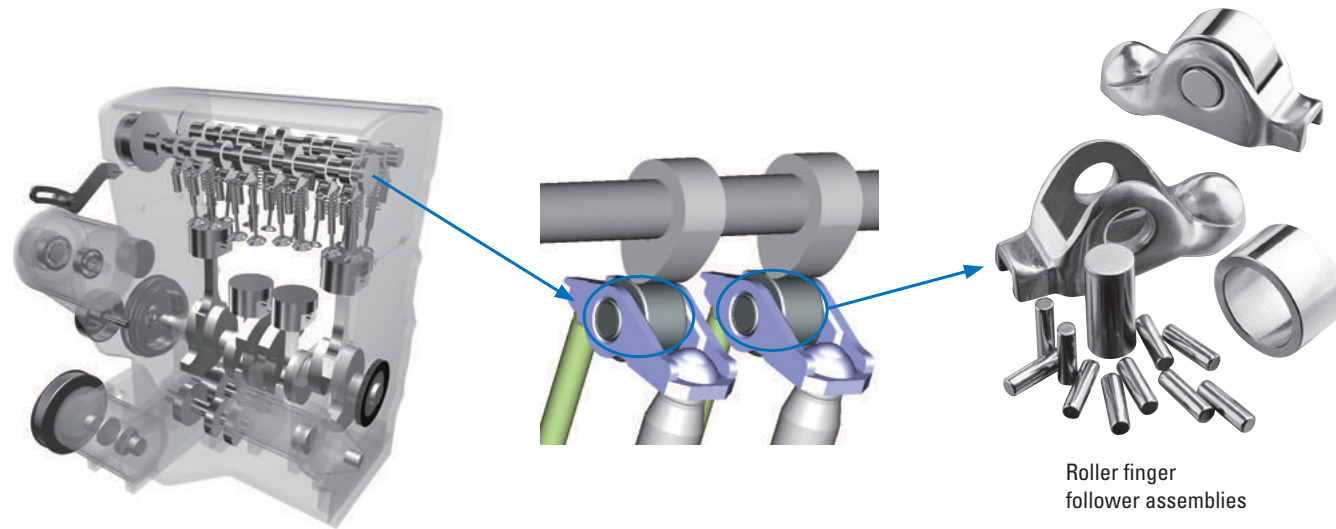
# ENGINE

## Valve Train Components

JTEKT's needle roller bearings for rocker arms contribute to reductions in energy used by engines and to improvements in engine reliability.

### Bearing Features

- Low torque
- Wear resistance

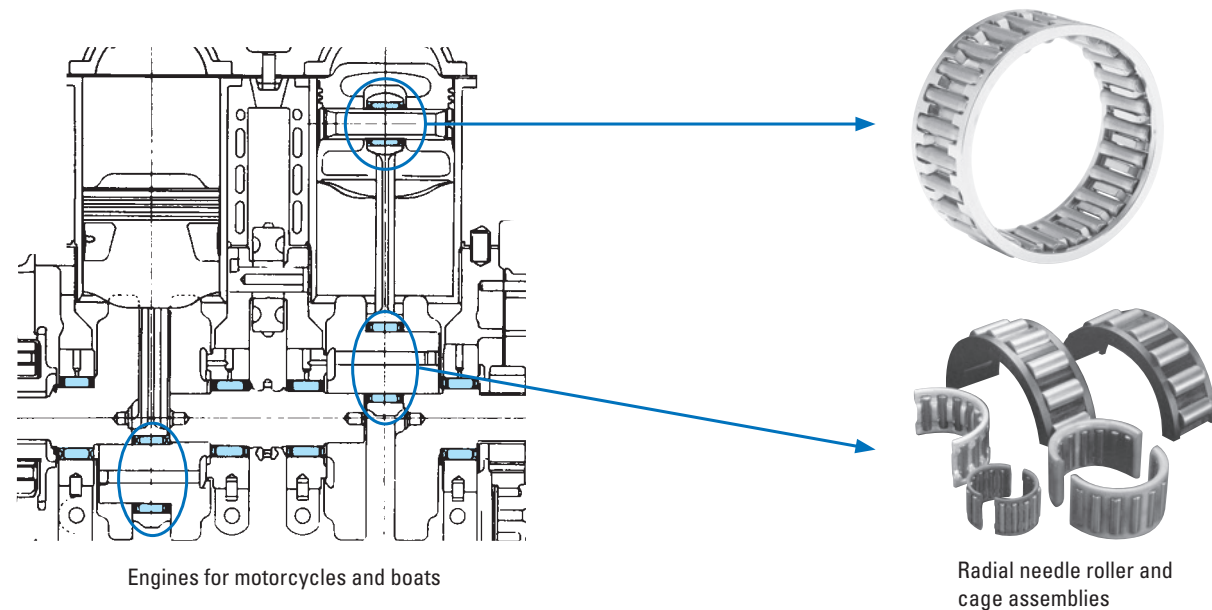


## Piston and Crank Components

JTEKT's needle roller bearings for connecting rod applications respond to the need for reductions in energy used by engines and to demanding lubrication requirements, contributing to greater reliability.

### Bearing Features

- Durability
- Improvement in seizure resistance
- Supports higher loads

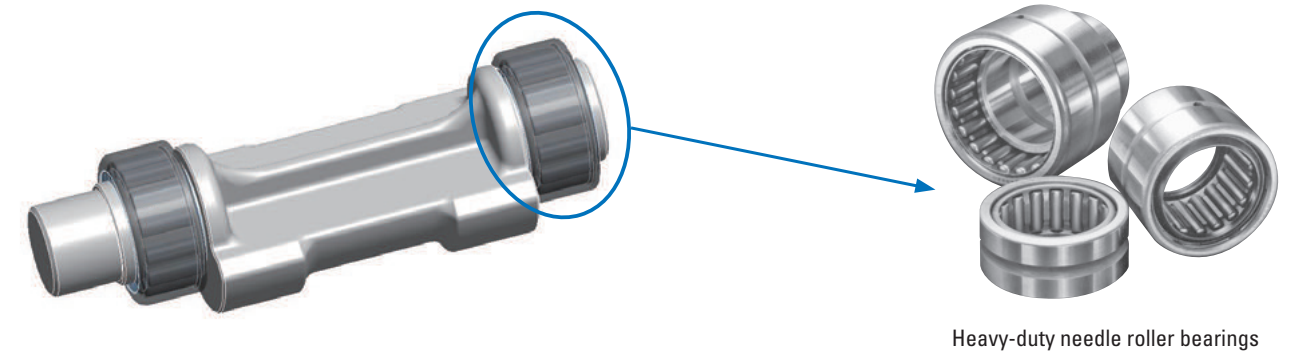


## Balance Shaft Components

JTEKT's needle roller bearings for balance shafts contribute to improved lubrication methods, reduced friction, and improved reliability under vibration conditions.

### Bearing Features

- High reliability
- Vibration resistance



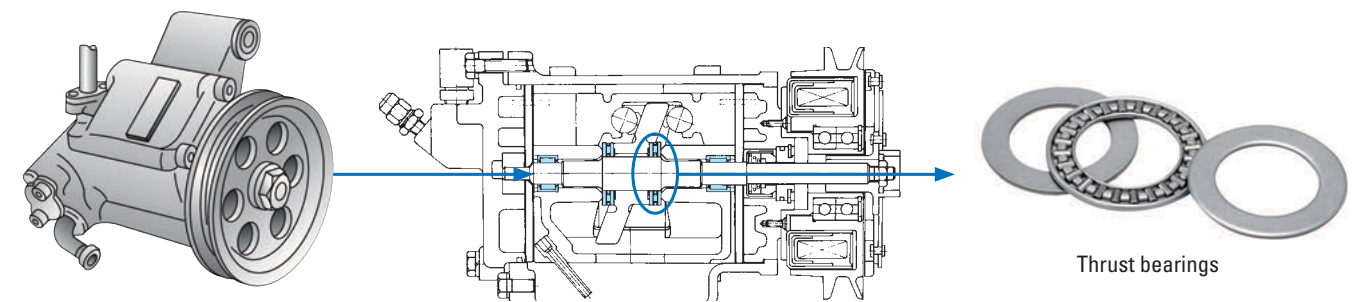
# ENGINE ACCESSORIES

## Compressor Components

JTEKT's needle roller bearings for compressors contribute to support for thin film lubricants, improved efficiency, and improved reliability.

### Bearing Features

- Wear resistance
- Low torque
- Improved lubricity



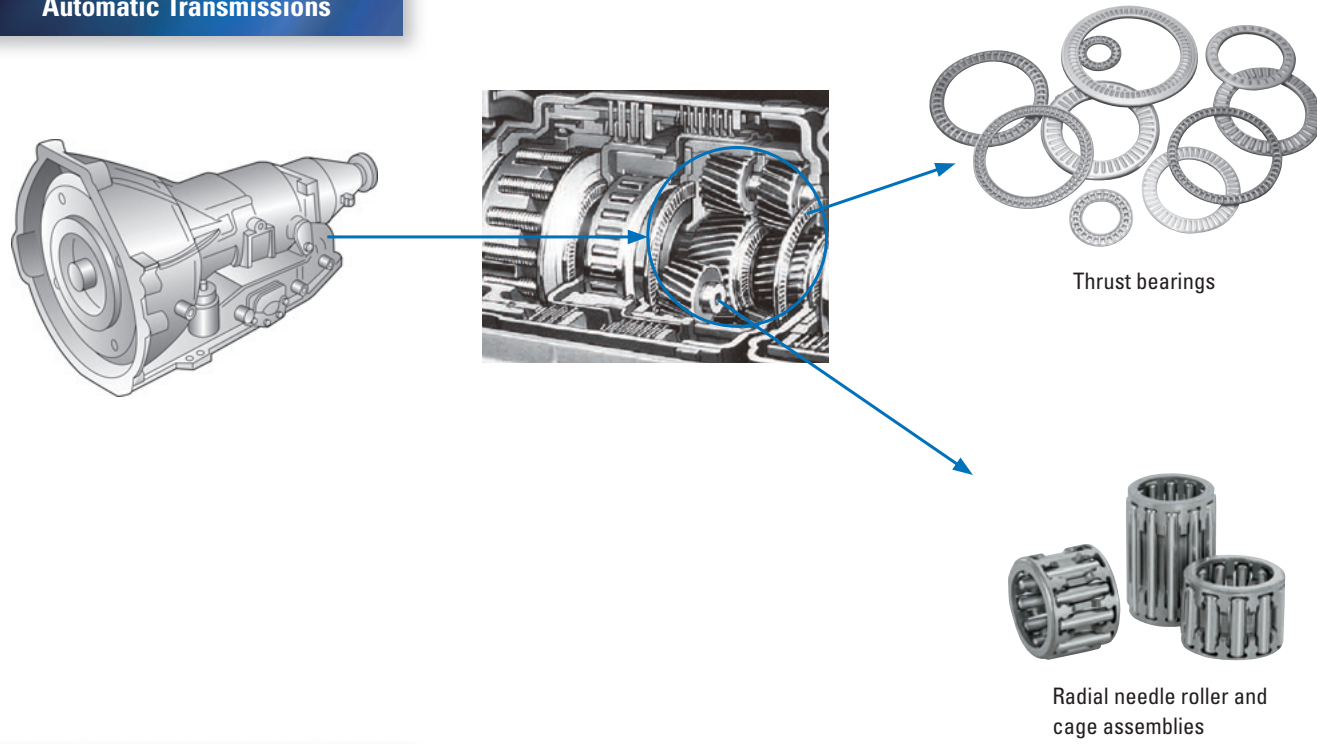
## TRANSMISSION

JTEKT's needle roller bearings for transmissions contribute to reductions in the size and weight of the transmission, improved power and fuel efficiency, support for low-viscosity lubricants, and improved reliability.

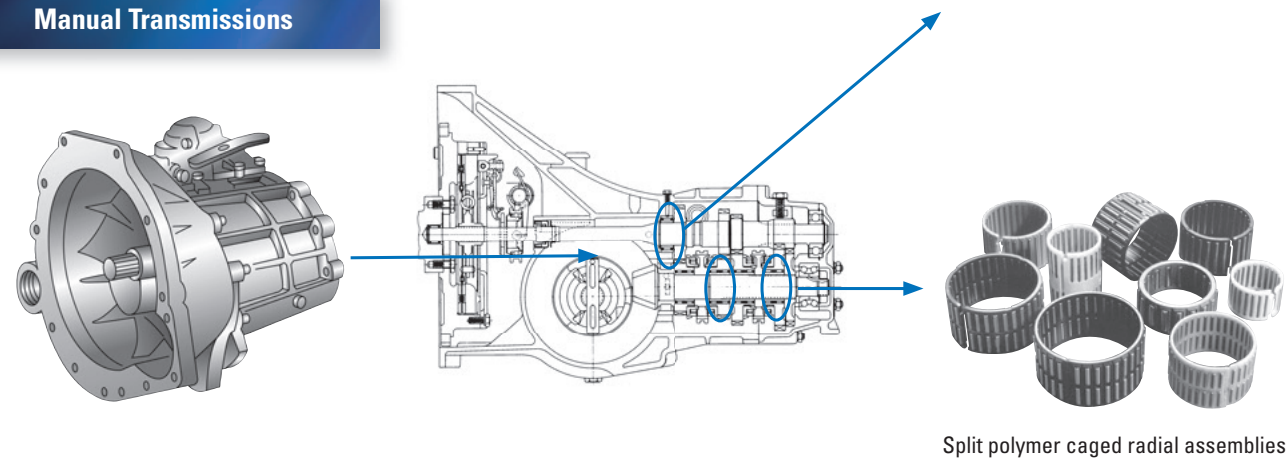
### Bearing Features

- Supports higher loads
- Longer life in oil with foreign material
- Low torque

### Automatic Transmissions



### Manual Transmissions



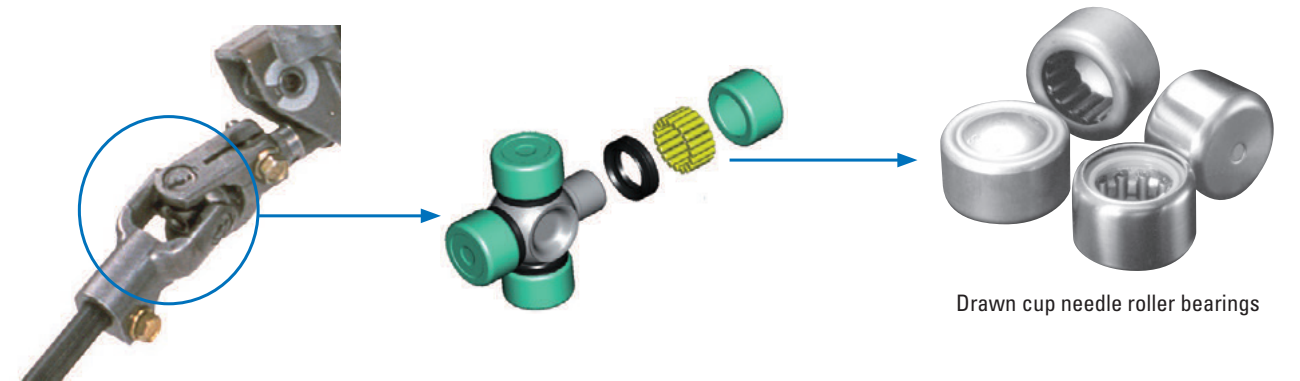
## STEERING SYSTEMS

JTEKT's needle roller bearings for steering systems realize smooth steering capability with high reliability and quiet running by drawing on our experience in producing safe steering system components.

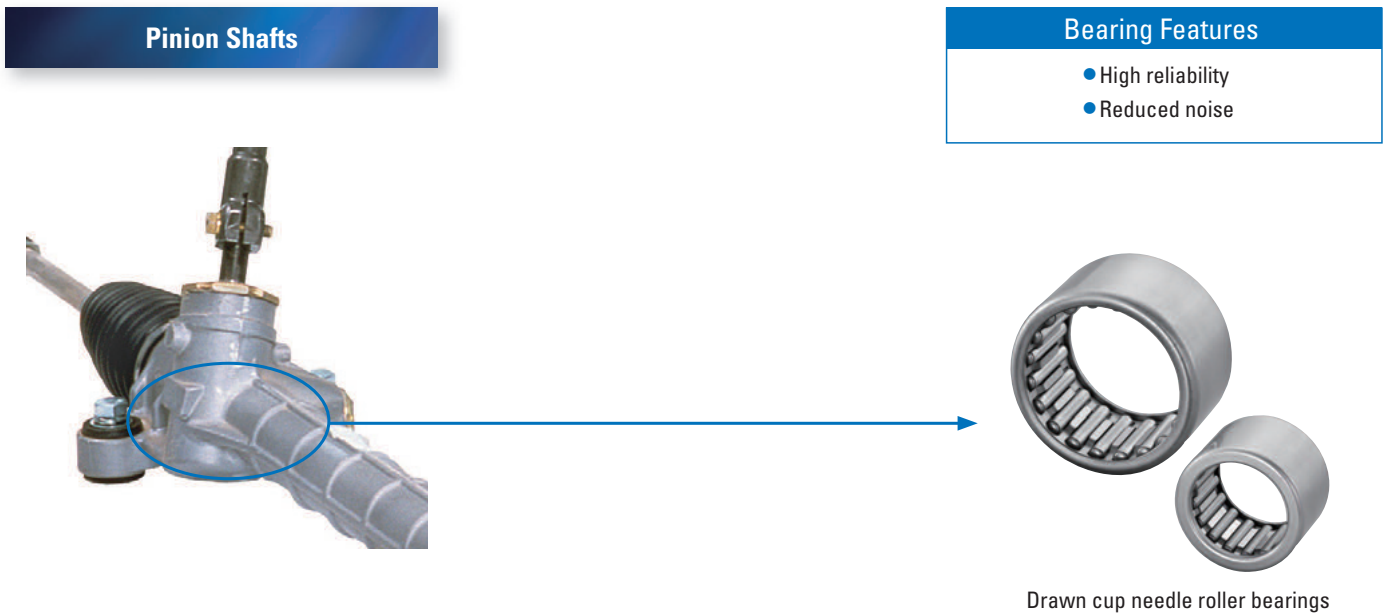
### Bearing Features

- High reliability
- Reduced noise
- High rigidity

### Intermediate Steering Shafts



### Pinion Shafts



### Bearing Features

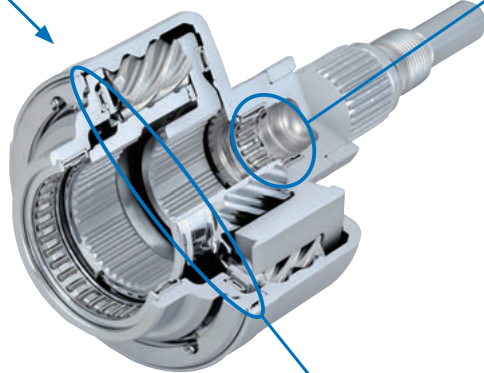
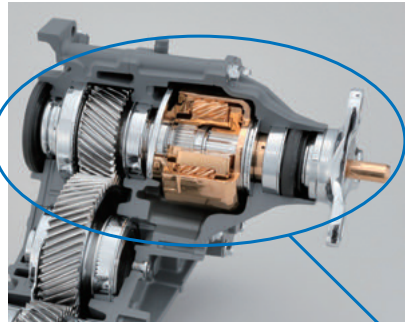
- High reliability
- Reduced noise

# DRIVE-LINES

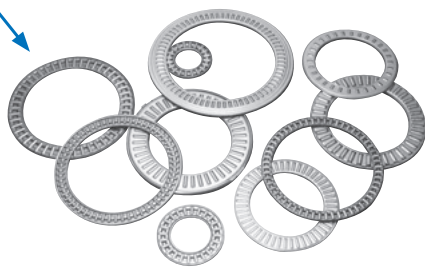
## Torque Sensing LSD

JTEKT's needle roller bearings for torque sensing LSDs contribute to downsizing and weight reduction, higher efficiency, and improved reliability.

- Bearing Features**
- Alleviates misalignment
  - Supports higher loads



Drawn cup needle roller bearings



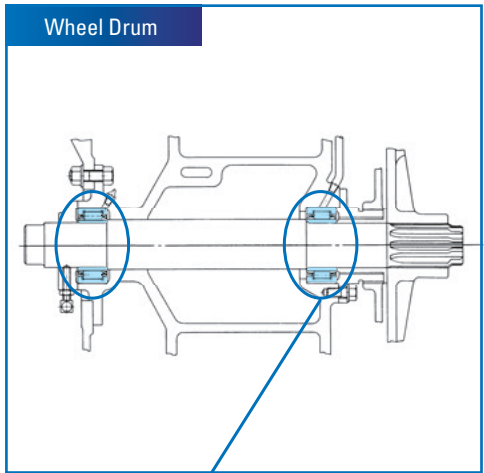
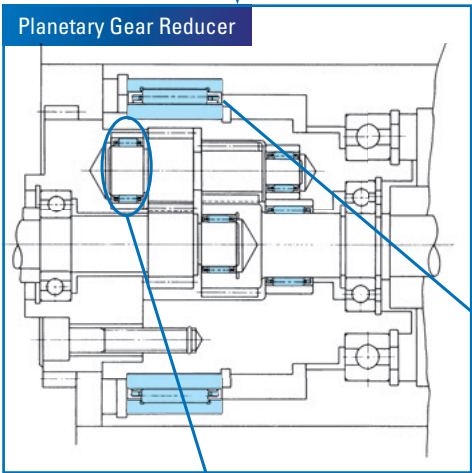
Thrust bearings

# INDUSTRIAL MACHINERY FIELD

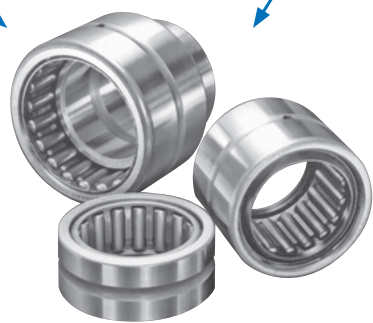
Construction equipment and agricultural machinery are used in demanding environments and therefore require high durability. JTEKT offers high-performance needle roller bearings that respond to energy-saving requirements and high reliability needs.

## Construction Equipment

- Bearing Features**
- High reliability

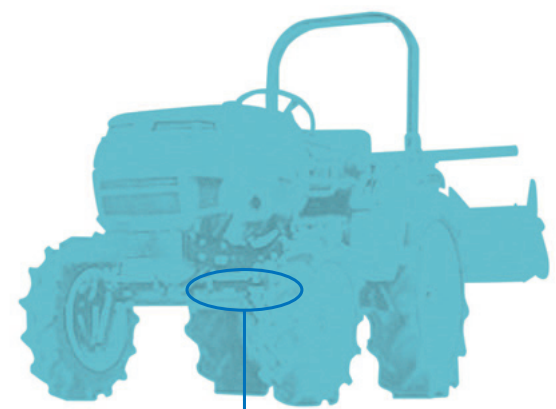


Radial needle roller and cage assemblies

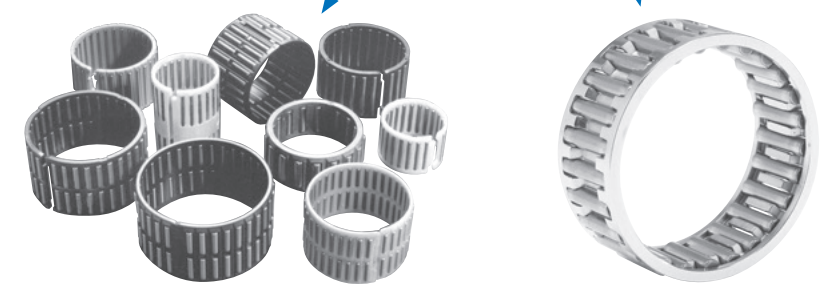
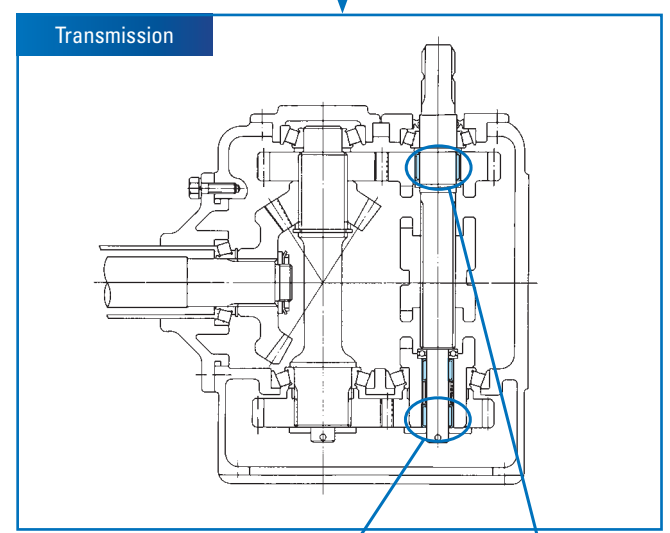


Heavy-duty needle roller bearings

Agricultural Machinery



Bearing Features  
• High reliability

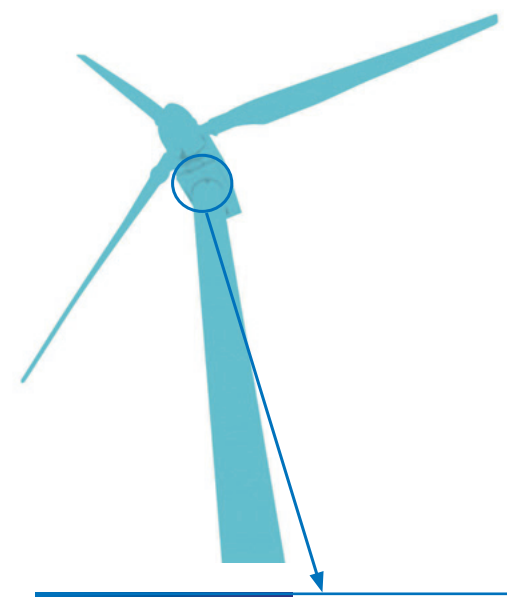


Radial needle roller and cage assemblies

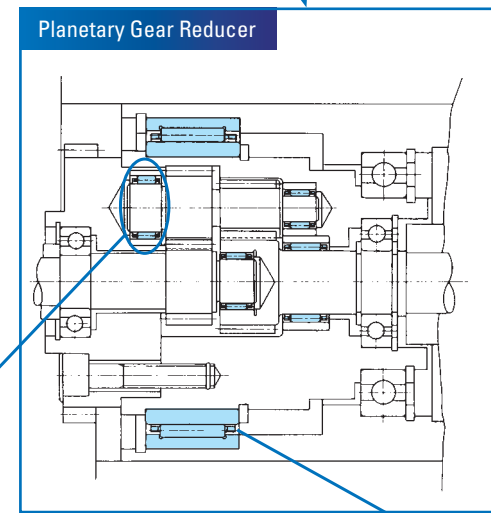
# WIND POWER GENERATION

Bearings used in wind power generators require long service lives.  
JTEKT offers high-performance needle roller bearings that support high reliability and demanding environmental conditions.

Wind Power Generation



Bearing Features  
• Long service life  
• Reduced noise



Radial needle roller and cage assemblies



Heavy-duty needle roller bearings



**NOTES**

# A

# ENGINEERING

## **A** ENGINEERING

- Bearing Types*..... A-3
- Needle Roller Bearing Selection*..... A-4
- Bearing Reactions, Equivalent Loads and Bearing Life* ..... A-5
- Mounting Designs*..... A-9
- Shaft Designs* ..... A-11
- Housing Designs* ..... A-12
- Fits*..... A-13
- Clearance*..... A-15
- Lubrication* ..... A-16
- Limiting Speeds*..... A-22
- Bearing Tolerances, Inch and Metric* ..... A-23
- Examples of Bearing Failures*..... A-36



A

# ENGINEERING

A

## BEARING TYPES

### NEEDLE ROLLER BEARINGS

Needle roller bearings are an economical alternative for applications requiring minimal space to carry a given load at a desired speed. Needle roller bearings can be an ideal choice because of their ability to handle a given level of speed and load capacity, yet have the smallest cross section of all roller bearing types.

We offer both metric and inch nominal bearings in popular designs such as: radial caged needle rollers, drawn cup needle roller bearings, machined ring, track rollers, thrust bearings, combined bearings, and drawn cup roller clutches.

Most of these bearing types can be operated directly on a machined shaft of suitable quality, or with a matching inner ring where this requirement cannot be conventionally satisfied.

#### Radial Needle Roller and Cage Assemblies

Radial needle roller and cage assemblies have a steel cage that provides both inward and outward retention for the needle rollers. The designs provide maximum cage strength consistent with the inherently high load ratings of needle roller bearings. Accurate guidance of the needle rollers by the cage bars allows for operation at high speeds. Also available are needle roller and cage assemblies using molded, one-piece glass-reinforced engineered polymer cages. Needle roller and cage assemblies are manufactured with either one or two rows of needle rollers.

#### Drawn Cup Bearings

The outer ring in the form of a cup is accurately drawn and no subsequent machining is performed to build the outer raceway. Drawn cup needle roller bearings are available in open ends or single, closed-end designs. They also are available with one or two integral seals. Other options include a single lubricating hole and matching inner ring.

#### Heavy-Duty Needle Roller Bearings

These bearings are available in a wide range of inch and metric sizes plus an array of design features including: integral seals, side flanges (or separate end washers), inner rings, oil holes and single or double caged sets (or full complement) of rollers.

### Track Rollers

Track rollers listed in this catalog are designed with outer rings of large radial cross section to withstand heavy rolling and shock loads on track-type or cam-controlled equipment. The outside diameters of the outer rings are either profiled or cylindrical. Profiled track rollers are designed to alleviate uneven bearing loading resulting from deflection, bending or misalignment in mounting. Stud-type track rollers are available with or without lip contact seals, or with shields. Yoke-type track rollers are designed for straddle mounting. Each yoke-type is available with either radial needle roller and cage assemblies, or with a single (or double) full complement row of cylindrical or needle rollers.

### Thrust Bearing Assemblies And Washers

Thrust needle roller and cage assemblies are available in a variety of inch or metric sizes. All types have very small cross sections. If the back up surfaces cannot be used as raceways, hardened washers are available. Thrust bearings are available with needle rollers or heavier cylindrical rollers for high load-carrying capacity.

### Combined (Radial and Thrust) Bearings

Combined bearings consist of a radial bearing (needle roller bearing) and a thrust bearing (ball or roller bearing). Some combined bearings are constructed similar to drawn cups, but with an added thrust bearing component. Like other needle roller bearings, these combined bearings can be matched with an optional inner ring or thrust washer as the opposing raceway.

## NEEDLE ROLLER BEARING SELECTION

Because of the possible combinations of roller complement orientation, bearing cross section thickness and raceway construction needle roller bearings should be given extra

consideration for roller bearing applications selection. The table below should be used as a general guideline for the application of needle roller bearings.

**Table A-1. Needle roller bearing capability comparison based on suitable oil lubrication**

Bearing type/ design capability	Radial needle roller and cage assembly	Drawn cup needle roller bearing caged	Drawn cup roller bearing full complement	Needle roller bearing and inner ring	Track roller	Thrust needle roller and cage assembly	Needle rollers	Combination bearing radial/thrust
Radial load	High	Moderate	High	High	Moderate	None	Very high	High
Axial load	None	None	None	None	Low	Very high	None	High
Limiting speed	Very high	High	Moderate	Very high	Moderate	High	Moderate	Moderate
Slope tolerance	Moderate	Moderate	Very low	Moderate	Moderate <sup>(1)</sup>	Low	Very low	Low
Grease life	High	High	Low	High	Moderate	Low	Low	Low
Friction	Very low	Very low	High	Very low	Low <sup>(2)</sup>	Moderate	High	Moderate
Precision	Very high	Moderate	Moderate	High	High	High	Very high	High
Cross section	Very low	Low	Low	Moderate	High	Very low	Very low	High
Cost	Low	Low	Low	High	High	Moderate	Very low	Very high

<sup>(1)</sup> "Moderate" for full complement track rollers

<sup>(2)</sup> "Low" for full complement track rollers



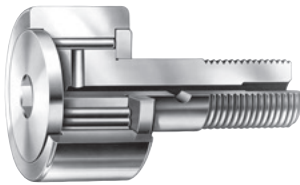
**Radial needle roller  
and cage assembly**



**Drawn cup needle roller**



**Heavy-duty needle roller**



**Track roller**



**Thrust needle roller  
and cage assembly**



**Combined radial/thrust**



**Drawn cup roller clutch**

## BEARING REACTIONS, EQUIVALENT LOADS AND BEARING LIFE

### DEFINITION OF LOAD RATINGS

#### Basic Dynamic Load Rating

The "basic dynamic load rating" ( $C_r$ ) for a radial roller bearing is that calculated, constant, radial load, which a group of apparently identical bearings with stationary outer ring can theoretically endure for a rating life of one million revolutions of the inner ring. For a thrust roller bearing ( $C_a$ ) is that calculated, constant, centric thrust load, which a group of apparently identical bearings can theoretically endure for a rating life of one million revolutions of one of the bearing washers. The basic dynamic load rating is a reference value only, the base value of one million revolutions has been chosen for ease of calculation. Since applied loading as great as the basic dynamic load tends to cause local plastic deformation of the rolling surfaces, it is not anticipated that such heavy loading would normally be applied.

#### Basic Static Load Rating

Basic static load rating for a radial roller bearing suitably manufactured from a good quality hardened alloy steel, the static radial load rating ( $C_{or}$ ) is that uniformly distributed static radial bearing load, which produces a maximum contact stress of 4000 megapascals (580,000 psi) acting at the center of contact of the most heavily loaded rolling element. The static axial load rating ( $C_{oa}$ ) is that uniformly distributed static centric axial load, which produces a maximum contact stress of 4000 megapascals (580,000 psi) acting at the center of contact of each rolling element.

**Note:** For a contact stress of 4000 megapascals (580,000 psi) a total permanent deformation of roller and raceway occurs, which is approximately 0.0001 of the roller diameter.

### EQUIVALENT DYNAMIC RADIAL BEARING LOADS ( $P_r$ )

To calculate the  $L_{10}$  life, it is necessary to calculate a dynamic equivalent radial load, designated by  $P_r$ . The dynamic equivalent radial load is defined as a single radial load that, if applied to the bearing, will result in the same life as the combined loading under which the bearing operates.

$$P_r = XF_r + YF_a$$

Where:

- $P_r$  = Dynamic equivalent radial load
- $F_r$  = Applied radial load
- $F_a$  = Applied axial load
- $X$  = Radial load factor
- $Y$  = Axial load factor

Radial needle roller bearings are designed to carry radial load with zero thrust load under normal conditions. With the thrust load equal to zero, equivalent radial load ( $P_r$ ) is equal to the design radial load

( $F_r$ ). Your representative should be consulted on any applications where thrust load is involved (as the resulting increase in internal friction may require cooling to prevent increased operating temperatures).

### STATIC RADIAL AND/OR AXIAL EQUIVALENT LOADS

The static equivalent radial and/or axial loading is dependent on the bearing type selected. For bearings designed to accommodate only radial or thrust loading, the static equivalent load is equal to the applied load.

For all bearings, the maximum contact stress can be approximated using the static equivalent load and the static rating.

For roller bearings:

$$\sigma_0 = 4000 \times \left( \frac{P_0}{C_0} \right)^{1/2} \text{ MPa}$$

$$\sigma_0 = 580 \times \left( \frac{P_0}{C_0} \right)^{1/2} \text{ ksi}$$

Because radial needle roller bearings are not designed to accept thrust loading, their equation to determine static radial equivalent load is:

$$P_{0r} = F_r$$

Thrust needle roller bearings are not designed to accept radial loading, so their equation to determine static thrust equivalent load is:

$$P_{0a} = F_a$$

The determination of the static load safety factor ( $f_0$ ) serves to ascertain that a bearing with adequate static load rating has been selected.

$$f_0 = \frac{C_0}{P_0}$$

Where:

- $f_0$  = Static load safety factor
- $C_0$  = Basic static load rating (kN or lbf)
- $P_0$  = Maximum applied static load (kN or lbf)

$f_0$  is a safety factor against permanent deformation of the contact areas of the rolling elements and raceways. Higher  $f_0$  values are required for particular smooth operation. The following values are generally suggested.

- $f_0 = 1.5 \dots 3.0$  for smooth operation
- $f_0 = 1.0 \dots 2.0$  for less smooth operation

For drawn cup needle roller bearings,  $f_0$  should be  $\geq 3$ .



**MINIMUM BEARING LOAD**

Slippage can occur if loads are too light and, if accompanied by inadequate lubrication, can cause damage to the bearings. The minimum load for bearings with cage is  $P/C = 0.02$ , for full-complement bearings  $P/C = 0.04$  ( $P$  is the dynamic load and  $C$  is the basic dynamic load rating).

Thrust needle roller bearings also have an added design requirement such that the minimum thrust load is satisfied to prevent the rollers from skidding on the raceway. The equation for the thrust loading force is different for needle rollers versus cylindrical rollers as noted:

(Needle rollers)  $F_{a\ min} = C_0/2200\ kN$   
 (Cylindrical rollers)  $F_{a\ min} = 0.1C_0/2200\ kN$

**MEAN DYNAMIC EQUIVALENT LOAD**

When load magnitude or direction varies, it is necessary to calculate the mean dynamic equivalent load, which provides the same length of bearing service life as that under the actual load fluctuation. If the load and the rotational speed change in levels, as shown in Fig. A-1, the following equation can be used to calculate the mean dynamic equivalent load.

$$P_m = \sqrt[10/3]{\frac{P_1^{10/3} n_1 t_1 + P_2^{10/3} n_2 t_2 + \dots + P_n^{10/3} n_n t_n}{n_1 t_1 + n_2 t_2 + \dots + n_n t_n}}$$

In this equation,

- $P_m$ : Mean dynamic equivalent load N
- $P_1$ : The load applied at rotational speed  $n_1$  and for  $t_1$  hours N
- ⋮
- $P_n$ : The load applied at rotational speed  $n_n$  and for  $t_n$  hours N

What's more, the following equation can be used to calculate the mean rotational speed  $n_m$ .

$$n_m = \frac{n_1 t_1 + n_2 t_2 + \dots + n_n t_n}{t_1 + t_2 + \dots + t_n}$$

When the load changes steadily, as shown in Fig. A-2, the following equation can be used to calculate an approximation of the mean dynamic equivalent load.

$$P_m = \frac{P_{\min} + 2 P_{\max}}{3}$$

In this equation,

- $P_{\min}$ : The minimum dynamic equivalent load N
- $P_{\max}$ : The maximum dynamic equivalent load N

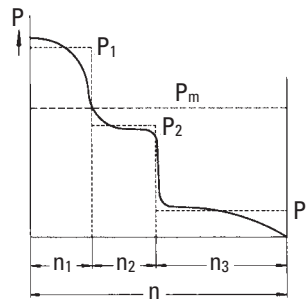


Fig. A-1

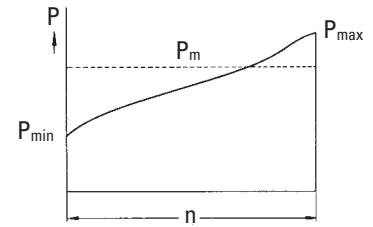


Fig. A-2

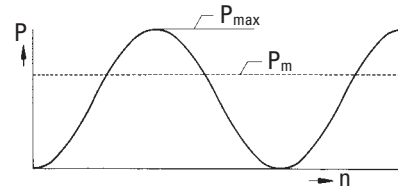


Fig. A-3

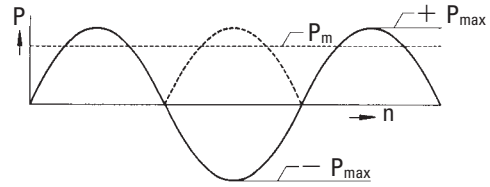


Fig. A-4

When the load changes like a sine wave between 0 and  $P_{\max}$ , as shown in Fig. A-3, the following equation can be used to calculate an approximation of the mean dynamic equivalent load.

$$P_m \cong 0.68 P_{\max}$$

When the load changes between 0 and  $P_{\max}$  in only the upper half of the sine wave, as shown in Fig. A-4, the following equation can be used to calculate an approximation of the mean dynamic equivalent load.

$$P_m \cong 0.75 P_{\max}$$



## BEARING LIFE

Even if rolling bearings are rotated under ideal conditions, contact stress is continuously and repeatedly applied to the raceway surfaces of inner and outer rings or rolling contact surfaces of rolling elements, and material flakes from the raceway surfaces and rolling contact surfaces due to fatigue of material. The total number of bearing rotations (or total operating period at a constant speed) until flaking occurs is regarded as the bearing service life.

Even if bearings of the same dimensions, structure, material, and processing method are operated under the same rotating conditions, their service lives are considerably varied.

Since this phenomenon results from fatigue distribution in bearing materials themselves, differences in bearing service life should be statistically considered. When a group of identical bearings are rotated under the same conditions, the total number of revolutions until 90 % of the bearings are left without flaking (i.e. a service life of 90 % reliability) is defined as the basic rating life. Or in operating at a constant speed, it can be expressed by the total number of bearing rotations.

In practical service, however, a bearing fails not only because of fatigue, but other coefficients as well, such as wear, seizure, creep, fretting, brinelling, cracking etc. These bearing failures can be minimized by selecting the proper mounting method and lubricant, as well as the bearing most suitable for the application.

## BEARING LIFE EQUATIONS

### Basic Rating Life

Generally, the relationship between the basic dynamic load rating, dynamic equivalent load, and basic rating life of needle roller bearings is expressed as follows.

$$L_{10} = \left( \frac{C}{P} \right)^{10/3}$$

Where,

- $L_{10}$  : Basic rating life 10<sup>6</sup> rotations
- $C$  : Basic dynamic load rating N
- $P$  : Dynamic equivalent load N

It is common for the life being expressed in terms of time to be useful when the bearing is rotating at a constant speed.

In this situation, the life can be obtained with the following equation.

$$L_{10h} = \left( \frac{C}{P} \right)^{10/3} \frac{10^6}{60n}$$

Where,

- $L_{10h}$  : Basic rating life h
- $n$  : Rotational speed min<sup>-1</sup>

Accordingly, where the dynamic equivalent load is P and rotational speed is n, the following equation can be used to calculate the basic dynamic load rating C, which is required to meet the design life. The bearing size most suitable for a specified purpose can then be selected by referring to the bearing specification table.

$$C = P \left( L_{10h} \times \frac{60n}{10^6} \right)^{3/10}$$

## Corrected Rating Life

Generally, the basic rating life of a bearing ( $L_{10}$ ) is regarded as a standard when its reliability is 90%, but certain applications require a service life whose reliability is more than 90%. The service life may be extended if special material is used, or it may be affected by operating conditions (installation, lubrication, dust prevention, and operating temperature). In such cases, the basic rating life ( $L_{10}$ ) is corrected using the reliability coefficient ( $a_1$ ), the bearing characteristic coefficient ( $a_2$ ), and the operating condition coefficient ( $a_3$ ). The corrected life is known as the corrected rating life ( $L_{na}$ ) and can be expressed using the equation below.

$$L_{na} = a_1 \cdot a_2 \cdot a_3 \cdot L_{10}$$

Where,

- $L_{na}$  : Corrected rating life 10<sup>6</sup> rotations  
( Estimated reliability (100 - n) %: the probability of failure is expressed by n with the bearing characteristics and operating conditions taken into consideration )
- $L_{10}$  : Basic rating life 10<sup>6</sup> rotations (estimated reliability 90%)
- $a_1$  : Reliability coefficient ..... Refer to section (1)
- $a_2$  : Bearing characteristic coefficient ..... Refer to section (2)
- $a_3$  : Operating condition coefficient ..... Refer to section (3)

### (1) Reliability coefficient ( $a_1$ )

Table A-2 describes the reliability coefficient  $a_1$ , which is used to obtain the corrected rating life  $L_{na}$  for the reliability shown.

**Table A-2. Reliability coefficient values  $a_1$**

Reliability, %	$L_{na}$	$a_1$
90	$L_{10a}$	1.00
95	$L_{5a}$	0.62
96	$L_{4a}$	0.53
97	$L_{3a}$	0.44
98	$L_{2a}$	0.33
99	$L_{1a}$	0.21

### (2) Bearing characteristic coefficient ( $a_2$ )

The life may be affected by characteristics such as the bearing material (steel types and their quality), the production process, and the design.

In such cases, the bearing characteristic coefficient  $a_2$  can be used to correct the bearing life calculation.

JTEKT employs vacuum-degassed bearing steel as our standard bearing material. This material has a significant affect on extending the bearing life, as verified though studies at the JTEKT research and development center. Vacuum-degassed steel bearings are listed in the bearing tables and use  $a_2 = 1$ .

For bearings made of special materials to extend the bearing's life, the bearing characteristic coefficient may be  $a_2 > 1$ .

**(3) Operating condition coefficient ( $a_3$ )**

Operating conditions, such as lubrication, affect the service life of bearings. Under normal lubrication, the calculation can be performed with  $a_3 = 1$ ; and under exceptional lubrication, with  $a_3 > 1$ . When the lubricating condition is not adequate, such as when the lubricant has a low viscosity (20 mm<sup>2</sup>/s or less) or when the rotational speed is very slow (the product of the rotational speed in min<sup>-1</sup> and the rolling element pitch diameter in mm is 10,000 or less), the operating condition coefficient is treated as  $a_3 < 1$ .

If the lubricating condition is not adequate and  $a_3 < 1$ , the bearing character coefficient  $a_2$  is usually less than 1.

**Basic Dynamic Load Rating Correction Due to Temperature**

During high-temperature operation, the bearing metal hardness deteriorates as the material compositions are altered. As a result, the basic dynamic load rating is diminished. Once altered, material composition does not recover, even if the operating temperature is returned to normal. Therefore, for bearings used in high temperature operations, the basic dynamic load rating must be corrected by multiplying the basic dynamic load rating values specified in the bearing specification table by the temperature coefficient values in Table A-3.

**Table A-3. Temperature coefficient values**

Bearing temperature, °C	125	150	175	200	250
Temperature coefficient	1	1	0.95	0.90	0.75

## MOUNTING DESIGNS

### METRIC SERIES NEEDLE ROLLER BEARINGS (EXCEPT DRAWN CUP NEEDLE ROLLER BEARINGS)

Metric series needle roller bearings are available with Radial Internal Clearance (RIC) designations per either of the following tables: per "ISO/ABMA 'C' Clearance." Non-standard values also are available by special request. Standard radial internal clearance values are listed in the following tables based on bore size. The clearance required for a given application depends on the desired operating precision, rotational speed of the bearing and the fitting practice used. Most applications use a normal or C0 (Standard) clearance. Typically, larger clearance reduces the operating zone of the bearing, increases the maximum roller load and reduces the bearing's expected life.

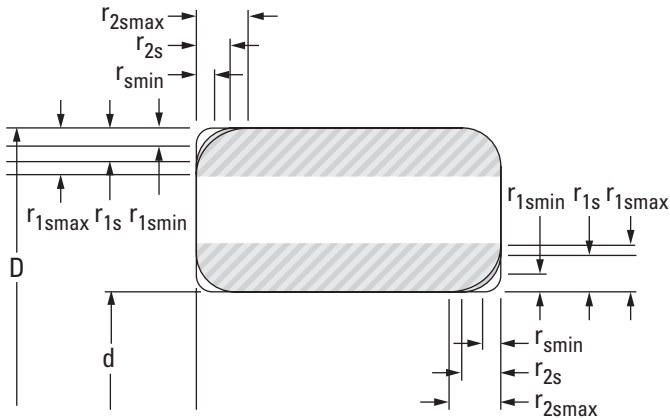
Table A-4. Metric series needle roller bearing radial internal clearance limits

Bore		C2		C0 (Standard)		C3		C4	
		RIC							
over	incl.	Max.	Min.	Max.	Min.	Max.	Min.	Max.	Min.
mm in	mm in	mm in	mm in	mm in	mm in	mm in	mm in	mm in	mm in
-	<b>30.000</b> 1.1811	<b>0.025</b> 0.0010	<b>0.000</b> 0.0000	<b>0.045</b> 0.0018	<b>0.020</b> 0.0008	<b>0.060</b> 0.0024	<b>0.035</b> 0.0014	<b>0.075</b> 0.0030	<b>0.050</b> 0.0020
<b>30.000</b> 1.1811	<b>40.000</b> 1.5748	<b>0.030</b> 0.0012	<b>0.005</b> 0.0002	<b>0.050</b> 0.0020	<b>0.025</b> 0.0010	<b>0.070</b> 0.0028	<b>0.045</b> 0.0018	<b>0.085</b> 0.0033	<b>0.060</b> 0.0024
<b>40.000</b> 1.5748	<b>50.000</b> 1.9685	<b>0.035</b> 0.0014	<b>0.005</b> 0.0002	<b>0.060</b> 0.0024	<b>0.030</b> 0.0012	<b>0.080</b> 0.0031	<b>0.050</b> 0.0020	<b>0.100</b> 0.0039	<b>0.070</b> 0.0028
<b>50.000</b> 1.9685	<b>65.000</b> 2.5591	<b>0.040</b> 0.0016	<b>0.010</b> 0.0004	<b>0.070</b> 0.0028	<b>0.040</b> 0.0016	<b>0.090</b> 0.0035	<b>0.060</b> 0.0024	<b>0.110</b> 0.0043	<b>0.080</b> 0.0031
<b>65.000</b> 2.5591	<b>80.000</b> 3.1496	<b>0.045</b> 0.0018	<b>0.010</b> 0.0004	<b>0.075</b> 0.0030	<b>0.040</b> 0.0016	<b>0.100</b> 0.0039	<b>0.065</b> 0.0026	<b>0.125</b> 0.0049	<b>0.090</b> 0.0035
<b>80.000</b> 3.1496	<b>100.000</b> 3.9370	<b>0.050</b> 0.0020	<b>0.015</b> 0.0006	<b>0.085</b> 0.0033	<b>0.050</b> 0.0020	<b>0.110</b> 0.0043	<b>0.075</b> 0.0030	<b>0.140</b> 0.0055	<b>0.105</b> 0.0041
<b>100.000</b> 3.9370	<b>120.000</b> 4.7244	<b>0.055</b> 0.0022	<b>0.015</b> 0.0006	<b>0.090</b> 0.0035	<b>0.050</b> 0.0020	<b>0.125</b> 0.0049	<b>0.085</b> 0.0033	<b>0.165</b> 0.0065	<b>0.125</b> 0.0049
<b>120.000</b> 4.7244	<b>140.000</b> 5.5118	<b>0.060</b> 0.0024	<b>0.015</b> 0.0006	<b>0.105</b> 0.0041	<b>0.060</b> 0.0024	<b>0.145</b> 0.0057	<b>0.100</b> 0.0039	<b>0.190</b> 0.0075	<b>0.145</b> 0.0057
<b>140.000</b> 5.5118	<b>160.000</b> 6.2992	<b>0.070</b> 0.0028	<b>0.020</b> 0.0008	<b>0.120</b> 0.0047	<b>0.070</b> 0.0028	<b>0.165</b> 0.0065	<b>0.115</b> 0.0045	<b>0.215</b> 0.0085	<b>0.165</b> 0.0065
<b>160.000</b> 6.2992	<b>180.000</b> 7.0866	<b>0.075</b> 0.0030	<b>0.025</b> 0.0010	<b>0.125</b> 0.0049	<b>0.075</b> 0.0030	<b>0.170</b> 0.0067	<b>0.120</b> 0.0047	<b>0.220</b> 0.0087	<b>0.170</b> 0.0067
<b>180.000</b> 7.0866	<b>200.000</b> 7.8740	<b>0.090</b> 0.0035	<b>0.035</b> 0.0014	<b>0.145</b> 0.0057	<b>0.090</b> 0.0035	<b>0.195</b> 0.0077	<b>0.140</b> 0.0055	<b>0.250</b> 0.0098	<b>0.195</b> 0.0077
<b>200.000</b> 7.8740	<b>225.000</b> 8.8583	<b>0.105</b> 0.0041	<b>0.045</b> 0.0018	<b>0.165</b> 0.0065	<b>0.105</b> 0.0041	<b>0.220</b> 0.0087	<b>0.160</b> 0.0063	<b>0.280</b> 0.0110	<b>0.220</b> 0.0087
<b>225.000</b> 8.8583	<b>250.000</b> 9.8425	<b>0.110</b> 0.0043	<b>0.045</b> 0.0018	<b>0.175</b> 0.0069	<b>0.110</b> 0.0043	<b>0.235</b> 0.0093	<b>0.170</b> 0.0067	<b>0.300</b> 0.0118	<b>0.235</b> 0.0093
<b>250.000</b> 9.8425	<b>280.000</b> 11.0236	<b>0.125</b> 0.0049	<b>0.055</b> 0.0022	<b>0.195</b> 0.0077	<b>0.125</b> 0.0049	<b>0.260</b> 0.0102	<b>0.190</b> 0.0075	<b>0.330</b> 0.0130	<b>0.260</b> 0.0102
<b>280.000</b> 11.0236	<b>315.000</b> 12.4016	<b>0.130</b> 0.0051	<b>0.055</b> 0.0022	<b>0.205</b> 0.0081	<b>0.130</b> 0.0051	<b>0.275</b> 0.0108	<b>0.200</b> 0.0079	<b>0.350</b> 0.0138	<b>0.275</b> 0.0108
<b>315.000</b> 12.4016	<b>355.000</b> 13.9764	<b>0.145</b> 0.0057	<b>0.065</b> 0.0026	<b>0.225</b> 0.0089	<b>0.145</b> 0.0057	<b>0.305</b> 0.0120	<b>0.225</b> 0.0089	<b>0.385</b> 0.0152	<b>0.305</b> 0.0120
<b>355.000</b> 13.9764	<b>400.000</b> 15.7480	<b>0.190</b> 0.0075	<b>0.100</b> 0.0039	<b>0.280</b> 0.0110	<b>0.190</b> 0.0075	<b>0.370</b> 0.0146	<b>0.280</b> 0.0110	<b>0.460</b> 0.0181	<b>0.370</b> 0.0146
<b>400.000</b> 15.7480	<b>450.000</b> 17.7165	<b>0.210</b> 0.0083	<b>0.110</b> 0.0043	<b>0.310</b> 0.0122	<b>0.210</b> 0.0083	<b>0.410</b> 0.0161	<b>0.310</b> 0.0122	<b>0.510</b> 0.0201	<b>0.410</b> 0.0161
<b>450.000</b> 17.7165	<b>500.000</b> 19.6850	<b>0.220</b> 0.0087	<b>0.110</b> 0.0043	<b>0.330</b> 0.0130	<b>0.220</b> 0.0087	<b>0.440</b> 0.0173	<b>0.330</b> 0.0130	<b>0.550</b> 0.0217	<b>0.440</b> 0.0173

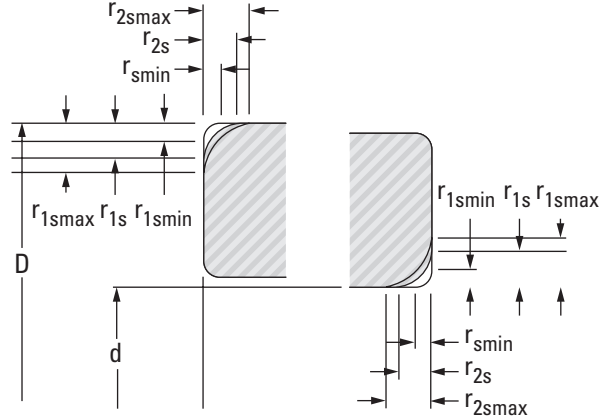
A



METRIC SERIES BEARING CHAMFER DIMENSIONS



Radial Bearings



Thrust Bearings

Table A-5. Chamfer dimensions of radial bearings metric series

$r_{s \text{ min}}$	d		$r_{1s \text{ max}}$	$r_{2s \text{ max}}$
	Nominal bore dia.			
	>	≤		
mm in	mm in	mm in	mm in	mm in
0.150 0.0059	all	all	0.300 0.0118	0.600 0.0236
0.200 0.0079	all	all	0.500 0.0197	0.800 0.0315
0.300 0.0118	—	40.000 1.5748	0.600 0.0236	1.000 0.0394
	40.000 1.5748	—	0.800 0.0315	1.000 0.0394
0.600 0.0236	—	40.000 1.5748	1.000 0.0394	2.000 0.0787
	40.000 1.5748	—	1.300 0.0512	2.000 0.0787
1.000 0.0394	—	50.000 1.9685	1.500 0.0591	3.000 0.1181
	50.000 1.9685	—	1.900 0.0748	3.000 0.1181
1.100 0.0433	—	120.000 4.7244	2.000 0.0787	3.500 0.1378
	120.000 4.7244	—	2.500 0.0984	4.000 0.1575
1.500 0.0591	—	120.000 4.7244	2.300 0.09055	4.000 0.1575
	120.000 4.7244	—	3.000 0.1181	5.000 0.19685
2.000 0.0787	—	80.000 3.1496	3.000 0.1181	4.500 0.1772
	80.000 3.1496	220.000 8.6614	3.500 0.1378	5.000 0.19685
	220.000 8.6614	—	3.800 0.1496	6.000 0.2362
2.100 0.0827	—	280.000 11.0236	4.000 0.1575	6.500 0.2559
	280.000 11.0236	—	4.500 0.1772	7.000 0.2756

Table A-6. Chamfer dimensions of thrust bearings metric series

$r_{s \text{ min}}$	$r_{1s \text{ max}}$	$r_{2s \text{ max}}$
mm in	mm in	mm in
0.300 0.0118	0.800 0.0315	0.800 0.0315
0.600 0.0236	1.500 0.0591	1.500 0.0591
1.000 0.0394	2.200 0.0866	2.200 0.0866
1.100 0.0433	2.700 0.1063	2.700 0.1063
1.500 0.0591	3.500 0.1378	3.500 0.1378
2.000 0.0787	4.000 0.1575	4.000 0.1575

ABMA/ISO Symbols

- d Bearing bore diameter, nominal and shaft-piloted washer bore diameter, nominal.
- D Bearing outside diameter, nominal and housing-piloted washer outside diameter, nominal.
- $r_{s \text{ min}}$  Smallest permissible single chamfer dimension (minimum limit).
- $r_{1s \text{ max}}$  Largest permissible single chamfer dimension in a radial direction.
- $r_{2s \text{ max}}$  Largest permissible single chamfer dimension in an axial direction.

## SHAFT DESIGNS

### BEARINGS WITHOUT INNER RINGS

When the shaft is used as the inner raceway for needle roller bearings it must have a hardness of 58 HRC or higher and a wave-free finish in order to realize the full load-carrying capability of the bearing.

- 1. Metallurgy** – either case-hardening or through-hardening grades of good bearing-quality steel are satisfactory for raceways.

To realize full bearing capacity, the raceway area must be at least surface hard with a reasonable core strength. During the carburizing or induction-hardening of case hardened steel, not only must the surface hardness requirement of 58 HRC or higher be met, but the case depth to HV 550 (52.3 HRC) must be met in the range of  $0.08D_w$  to  $0.10D_w$  mm. ( $D_w$ : roller diameter)  
(Conforms to JIS G0557 and ISO 2639.)

- 2. Strength** – the shaft must be of sufficient strength to keep the operating deflections within the limits outlined.
- 3. Tolerance** – the suggested shaft diameter tolerances for each type of needle roller bearing are indicated in the appropriate section of this catalog.
- 4. Variation of mean shaft diameter (taper)** – within the range of the bearing width,  $5\ \mu\text{m}$  or less per 25 mm or one-half the diameter tolerance or less (whichever is smaller).
- 5. Deviation from circular form** – the radial deviation from true circular form of the raceway should not exceed  $2.5\ \mu\text{m}$  for diameters up to and including 25 mm. For raceways greater than 25 mm, the allowable radial deviation should not exceed  $2.5\ \mu\text{m}$  multiplied by a factor of the raceway diameter divided by 25.
- 6. High frequency lobing** – the lobing that occurs 10 or more times around the circumference of a shaft and exceeds  $0.4\ \mu\text{m}$  from peak to valley is called chatter. Chatter usually causes undesirable noise and reduces fatigue life.
- 7. Shaft slope** – for shafts that are used as bearing raceways, the slant precision must be  $13\ \mu\text{m}$  or less per 25 mm of raceway surface axial measurement length.
- 8. Surface finish** – In addition to a wave-free finish, the raceway surface roughness of  $R_a \leq 0.2\ \mu\text{m}$  must be maintained for the bearing to utilize its full load rating. The raceway area also must be free of nicks, burrs, scratches and dents. Oil holes are permissible in the raceway area, but care must be taken to blend the edges gently into the raceway, and if possible, the hole should be located in the unloaded zone of the raceway.  
Care also must be taken to prevent grind reliefs, fillets, etc., from extending into the raceway area. If the rollers overhang a grind relief or step on the shaft, there will be high stress concentration with resultant early damage.

- 9. End chamfer** – for the most effective assembly of the shaft into a bearing, the end of the shaft should have a large chamfer or rounding. This should help in preventing damage to the roller complement, scratching of the raceway surface, and nicking of the shaft end.

- 10. Sealing surface** – in some instances, bearings have integral or immediately adjacent seals that operate on the surface ground for the bearing raceway. Here, particular attention should be paid to the pattern of the shaft finish. In no instance should there be a “lead,” or spiral effect, as often occurs with through-feed centerless grinding. Such a “lead” may pump lubricant past the seal.

### BEARINGS WITH INNER RINGS

When it is undesirable or impractical to prepare the shaft to be used as a raceway, inner rings are available as listed in the tabular pages. If the shaft is not used directly as a raceway, the following design specifications must be met:

- 1. Strength** – the shaft must be of sufficient strength to keep the operating deflections within the limits outlined.
- 2. Tolerance** – the suggested shaft diameter tolerances for each type of needle roller bearing are indicated in the appropriate section of the catalog.
- 3. Variation of mean shaft raceway diameter (taper) and deviation from circular form of the raceway** – should not exceed one-half the shaft diameter tolerance.
- 4. Surface finish** – the surface finish should not exceed a roughness of  $R_a\ 0.8\ \mu\text{m}$ .
- 5. Locating shoulders or steps** – locating shoulders or steps in the shaft must be held to close concentricity with the bearing seat to prevent imbalance and resultant vibrations.

## HOUSING DESIGNS

## BEARINGS WITH OUTER RINGS

For bearings with outer rings, the function of the housing is to locate and support the outer ring. The following specifications must be met:

- 1. Strength** – housings should be designed so that the radial loads placed on the bearings will cause a minimum of deflection or distortion of the housing.
- 2. Variation of mean housing diameter (taper)** – within the length of the outer ring, 13  $\mu\text{m}$  or one-half the diameter tolerance (whichever is smaller) or less.
- 3. Deviation from circular form** – the housing bore should be round within one-half the housing bore tolerance.
- 4. Parallelism** – when possible, line bore housings that are common to one shaft to obtain parallelism of the housing bores and the shaft axis.
- 5. Surface finish** – The surface finish should not exceed  $R_a$  1.6  $\mu\text{m}$ .
- 6. End chamfer** – to permit easy introduction of the bearing into the housing, the end of the housing should have a generous chamfer.

Only heavy-duty needle roller bearings can be installed into housings with a transition fit or a clearance fit. The outer ring should be a transition fit in the housing when it rotates relative to the load. The outer ring may be a clearance fit in the housing when it is stationary relative to the load. In either case, locate the bearings by shoulders, or other locating devices, to prevent axial movement.

Since only the heavy-duty needle roller bearing does not require an interference fit in the housing to round and size it properly, a split housing may be used if desired. Dowels should be used to maintain proper register of the housing sections.

**Drawn cup needle roller bearings** have a thin case-hardened outer ring that is out-of-round from the hardening operation. For proper mounting it must **always** be pressed into the housing. Split housings will not round and size a drawn cup bearing. When split housings must be used, the bearing should first be mounted in a cylindrical sleeve.

The housing should be of sufficient tensile strength and section to round and size the bearing. It must be designed for minimum distortion under load. Steel or cast iron housings are preferred. Housing bores in low tensile strength materials such as aluminum, magnesium, phenolics, etc., should be reduced to provide more interference fit. Thin section cast iron and steel housings may also require reduced bores. Consult your representative for suggestions when working with these lower strength housings.

The housing should be through-bored if possible. When shouldered housing bores are unavoidable, the bearing should be located far enough from the shoulder to avoid the danger of crushing the end of the drawn cup during installation.

When the drawn cup bearing is mounted close to the housing face, care should be taken to mount the bearing at least 0.250 mm (0.0100 in) within the housing face to protect the bearing lip.

## BEARINGS WITHOUT OUTER RINGS

In many cases, such as with gear bores, it is desirable to have the housing bore serve as the outer raceway for radial needle roller and cage assemblies or loose needle roller complements. In those instances, as for shafts used as raceways, the housing bore must have a hardness of 58 HRC or harder and a surface roughness  $R_a \leq 0.2 \mu\text{m}$  so that the full load-carrying capacity of the bearing is realized.

- 1. Strength** – the housing must be of sufficient cross section to maintain proper roundness and running clearance under maximum load.
- 2. Metallurgical** – material selection, hardness and case depth should be consistent with the requirements for inner raceways given in the shaft design.
- 3. Variation of mean housing raceway diameter (taper)** – within the range of the bearing width, 5  $\mu\text{m}$  or less per 25 mm or one-half the housing bore diameter tolerance or less (whichever is smaller). In addition, the bore diameter must never be smaller at both ends than in the center [sway-back].
- 4. Deviation from circular form** – the raceway out-of-roundness should not exceed one-half the bore tolerance.
- 5. Surface finish** – In addition to a wave-free finish, the raceway surface roughness of  $R_a \leq 0.2 \mu\text{m}$  must be maintained for the bearing to utilize its full load rating. The raceway area also must be free of nicks, burrs, scratches and dents.
- 6. Grind reliefs** – care must be exercised to ensure that grind reliefs, fillets, etc., do not extend to the raceway. Oil holes in the raceway area are permissible, but the edges must be blended smoothly with the raceway and, if possible, the hole should be located in the unloaded zone of the raceway.

**Table A-7. Accuracy and roughness of shafts and housings (needle roller and cage assemblies, drawn cup needle roller bearings, and machined ring needle roller bearings)**

	Shaft		Housing bore	
	Raceway surface	Fitting surface	Raceway surface	Fitting surface
Out-of-roundness	Shaft diameter $\leq 25$ mm: $2.5 \mu\text{m}$ or less Shaft diameter $> 25$ mm: $2.5 \mu\text{m} \times$ (shaft diameter/25 mm) or less	One-half the shaft diameter tolerance or less	$8 \mu\text{m}$ or one-half the bore tolerance or less	One-half the bore tolerance or less
Variation of mean diameter (taper)	Within the range of the bearing width, $5 \mu\text{m}$ or less per 25 mm or one-half the bearing tolerance or less (whichever is smaller)	One-half the shaft diameter tolerance or less	Within the range of the bearing width, $5 \mu\text{m}$ or less per 25 mm or one-half the bearing tolerance or less (whichever is smaller)	Within the length of the outer ring, $13 \mu\text{m}$ or one-half the diameter tolerance (whichever is smaller) or less.
Surface roughness	0.2 a or less	0.8 a or less	0.2 a or less	1.6 a or less
Hardness	58 HRC or harder <sup>1)</sup>	—	58 HRC or harder <sup>1)</sup>	—
Shaft slope	13 $\mu\text{m}$ or less per 25 mm		—	

1) During the carburizing or induction-hardening of case hardened steel, not only must the surface hardness requirement specified above be met, but the case depth of HV 550 (52.3 HRC) must be met in the range of  $0.08D_w$  to  $0.10D_w$  mm. ( $D_w$ : roller diameter)

## FITS

The purpose of fit is to securely fix the inner or outer ring to the shaft or housing, to preclude detrimental circumferential sliding on the fitting surface.

Such detrimental sliding (referred to as "creep") will cause abnormal heat generation, wear of the fitting surface, infiltration of abrasion metal particles into the bearing, vibration, and many other harmful effects, which cause a deterioration of bearing functions.

## FIT SELECTION

In selecting the proper fit, careful consideration should be given to bearing operating conditions.

Major specific considerations are :

- Direction of load
- Load characteristics and magnitude
- Temperature distribution in operating
- Bearing internal clearance
- Surface finish, material and thickness of shaft and housing
- Mounting and dismounting methods
- Necessity to compensate for shaft thermal expansion at the fitting surface
- Bearing type and size

In view of these considerations, the following paragraphs explain the details of the important factors in fit selection.

### 1. Direction of load

Direction of load classified into three types : rotating inner ring load; rotating outer ring load and indeterminate direction load.

Table A-8 tabulates the relationship between these characteristics and fit.

**Table A-8. Direction of Load and Fits**

Direction of load	Rotating Ring		Type of load	Fit		
	Inner ring	outer ring		Inner ring	outer ring	
Rotating inner ring load	Inner ring : Circumferential load Outer ring : Point load	Rotating	Stationary	Rotating load	Tight	Loose
Rotating outer ring load	Inner ring : Point load Outer ring : Circumferential load	Stationary	Rotating	Rotating load	Loose	Tight
Indeterminate direction load	Inner ring : Circumferential load Outer ring : Oscillating load	Rotating	Stationary Rotating	Stationary load > Rotating load Stationary load < Rotating load	Tight	Slightly tight
	Inner ring : Oscillating load Outer ring : Circumferential load	Rotating	Stationary Rotating	Stationary load > Rotating load Stationary load < Rotating load	Slightly tight	Tight

### 2. Effect of load characteristic and magnitude

When a radial load is applied, the inner ring will expand slightly. Since this expansion enlarges the circumference of the bore minutely, the initial interference is reduced.

The reduction can be calculated by the following equations :

$$\begin{aligned} & \text{[in the case of } F_r \leq 0.25 C_0] && \text{[in the case of } F_r > 0.25 C_0] \\ \Delta_{df} &= 0.08 \sqrt{\frac{d}{B}} \cdot F_r \times 10^{-3} && \Delta_{df} = 0.02 \frac{F_r}{B} \times 10^{-3} \end{aligned}$$

where :

$\Delta_{df}$ : Reduction of inner ring interference	mm
$d$ : Nominal bore diameter of bearing	mm
$B$ : Nominal inner ring width	mm
$F_r$ : Radial load	N
$C_0$ : Basic static load rating	N

When the radial load exceeds the  $C_0$  value by 25%, greater interference is needed. When impact loads are expected, much greater interference is needed.

### 3. Effect of fitting surface roughness

The effective interference obtained after fitting differs from calculated interference due to plastic deformation of the ring fitting surface. When the inner ring is fitted, the effective interference, subject to the effect of the fitting surface finish, can be approximated by the following equations :

[In the case of a ground shaft]                      [In the case of a turned shaft]

$$\Delta_{d\text{eff}} \doteq \frac{d}{d+2} \Delta_d \quad \Delta_{d\text{eff}} \doteq \frac{d}{d+3} \Delta_d$$

where :

$\Delta_{d\text{eff}}$ : Effective interference	mm
$\Delta_d$ : Calculated interference	mm
$d$ : Nominal bore diameter of bearing	mm

A

4. Effect of temperature

A bearing generally has an operating temperature that is higher than the ambient temperature. When the inner ring operates under load, its temperature generally becomes higher than that of the shaft and the effective interference decreases due to the greater thermal expansion of the inner ring.

If the temperature difference between the bearing inside and surrounding housing is  $\Delta t$ , the temperature difference between the fitting surfaces of the inner ring and shaft will be approximately  $(0.10 \text{ to } 0.15) \times \Delta t$ . The reduction of interference ( $\Delta_{dt}$ ) due to the temperature difference is then expressed as follows:

$$\Delta_{dt} = (0.10 \sim 0.15) \Delta t \cdot \alpha \cdot d$$

$$\doteq 0.0015 \Delta t \cdot d \times 10^{-3}$$

In this equation,

- $\Delta_{dt}$ : Reduction of interference due to temperature difference      mm
- $\Delta t$ : Temperature difference between the inside of the bearing and the surrounding housing      °C
- $\alpha$ : Linear expansion coefficient of bearing steel (approximately equal to  $12.5 \times 10^{-6}$ ) 1/°C
- $d$ : Nominal bore diameter of bearing      mm

Consequently, when a bearing is higher in temperature than the shaft, greater interference is required.

However, a difference in temperature or in the coefficient of expansion may sometimes increase the interference between the outer ring and housing. Therefore, care should be taken when clearance is provided to accommodate shaft thermal expansion.

5. Maximum stress due to fit

When a bearing is fitted with interference, the bearing ring will expand or contract, generating internal stress.

Should this stress be excessive, the bearing ring may fracture.

The maximum bearing fitting-generated stress is determined by the equation in Table A-9.

In general, to avoid fracture, it is best to adjust the maximum interference to less than 1/1 000 of the shaft diameter, or the maximum stress ( $\sigma$ ), determined by the equation in Table A-9, should be less than 120 MPa.

Table A-9 does not apply to drawn cup needle roller bearings.

Recommended Fits

Recommended fits are listed in each bearing section and within the tabular pages.

Table A-9. Maximum fitting-generated stress in bearings

Shaft & inner ring	Housing bore & outer ring
<p>(In the case of hollow shaft)</p> $\sigma = \frac{E}{2} \cdot \frac{\Delta_{deff}}{d} \cdot \frac{\left(1 - \frac{d_0^2}{d^2}\right) \left(1 + \frac{d^2}{D_i^2}\right)}{\left(1 - \frac{d_0^2}{D_i^2}\right)}$	<p>(In the case of <math>D_h \neq \infty</math>)</p> $\sigma = E \cdot \frac{\Delta_{Deff}}{D} \cdot \frac{\left(1 - \frac{D^2}{D_h^2}\right)}{\left(1 - \frac{D_e^2}{D_h^2}\right)}$
<p>(In the case of solid shaft)</p> $\sigma = \frac{E}{2} \cdot \frac{\Delta_{deff}}{d} \cdot \left(1 + \frac{d^2}{D_i^2}\right)$	<p>(In the case of <math>D_h = \infty</math>)</p> $\sigma = E \cdot \frac{\Delta_{Deff}}{D}$

where :

- |  |     |   |     |
|--|-----|---|-----|
| $\sigma$ : Maximum stress                              | MPa | $D_e$ : Raceway contact diameter of outer ring            | mm  |
| $d$ : Nominal bore diameter (shaft diameter)           | mm  | roller bearing ... $D_e \doteq 0.25 (3D + d)$             |     |
| $D_i$ : Raceway contact diameter of inner ring         | mm  | $D$ : Nominal outside diameter (bore diameter of housing) | mm  |
| roller bearing ... $D_i \doteq 0.25 (D + 3d)$          |     | $\Delta_{Deff}$ : Effective interference of outer ring    | mm  |
| $\Delta_{deff}$ : Effective interference of inner ring | mm  | $D_h$ : Outside diameter of housing                       | mm  |
| $d_0$ : Bore diameter of hollow shaft                  | mm  | $E$ : Young's modulus = $2.08 \times 10^5$                | MPa |

[Remark] The above equations are applicable when the shaft and housing are steel.  
When other materials are used, JTEKT should be consulted.

## CLEARANCE

Bearing internal clearance is defined as the clearance between the bearing ring and the rolling elements. The total distance either inner or outer ring can be moved when the specified measuring load is applied to the ring in radial direction and the other ring is fixed is defined as radial internal clearance.

The term "residual clearance" is also defined as the original clearance decreased owing to expansion or contraction of a raceway due to fitting, when the bearing is mounted in the shaft and housing.

The term "effective clearance" is defined as the residual clearance decreased owing to dimensional change arising from temperature differentials within the bearing.

The term "operating clearance" is defined as the internal clearance present while a bearing mounted in a machine is rotating under a

certain load, or, the effective clearance increased due to elastic deformation arising from bearing loads.

The operating clearance is closely related to bearing performance and life. It is therefore desirable to select a clearance with a lower limit value on the positive side of zero.

When selecting the clearance, fitting conditions, temperature conditions, and tolerance of mounting dimensions must all be taken into account.

The operating clearance can be obtained from the equation in Table A-10.

These calculations can be used for machined ring needle roller bearings but not for drawn cup needle roller bearings.

For the drawn cup needle roller bearings refer to page B-2-7.

**Table A-10. Operating clearance**

Operating clearance (S)	$S = S_0 - (S_f + S_{t1} + S_{t2}) + S_w^*$		* $\left[ S_w \text{ (increase of clearance due to load) is generally small, and thus may be ignored, although there is an equation for determining the value.} \right]$
Decrease of clearance due to fitting ( $S_f$ )	(In the case of hollow shaft)	$S_{fi} = \Delta_{deff} \frac{d}{D_i} \cdot \frac{\left(1 - \frac{d_0^2}{d^2}\right)}{\left(1 - \frac{d_0^2}{D_i^2}\right)}$	(In the case of $D_h \neq \infty$ )
	(In the case of solid shaft)	$S_{fi} = \Delta_{deff} \frac{d}{D_i}$	(In the case of $D_h = \infty$ )
Decrease of clearance due to temperature differentials between inner and outer rings ( $S_{t1}$ )	The amount of decrease varies depending on the state of housing; however, generally the amount can be approximated by the following equation on the assumption that the outer ring will not expand:		where: $D_e = D_i + 2D_w$ Consequently, $S_{t1} + S_{t2}$ will be determined by the following equation: $S_{t1} + S_{t2} = \alpha \cdot D_i \cdot t_1 + 2\alpha \cdot D_w \cdot t_2$ Temperature differential between the inner and outer rings, $t_1$ , can be expressed as follows: $t_1 = t_i - t_e$ Temperature differential between the rolling element and outer ring, $t_2$ , can be expressed as follows: $t_2 = t_w - t_e$
	$S_{t1} = \alpha \cdot (D_i \cdot t_i - D_e \cdot t_e)$		
Decrease of clearance due to temperature rise of rolling element ( $S_{t2}$ )	$S_{t2} = 2\alpha \cdot D_w \cdot t_w$		

In Table A-10,

S : Operating clearance	mm	$\Delta_{Deff}$ : Effective interference of outer ring	mm
$S_0$ : Clearance before mounting	mm	$D_h$ : Outside diameter of housing	mm
$S_f$ : Decrease of clearance due to fitting	mm	$D_e$ : Outer ring raceway contact diameter	mm
$S_{fi}$ : Expansion of inner ring raceway contact diameter	mm	roller bearing ... $D_e \doteq 0.25 (3D + d)$	
$S_{fo}$ : Contraction of outer ring raceway contact diameter	mm	D : Nominal outside diameter	mm
$S_{t1}$ : Decrease of clearance due to temperature differentials between inner and outer rings	mm	$\alpha$ : Linear expansion coefficient of bearing steel ( $12.5 \times 10^{-6}$ )	1/°C
$S_{t2}$ : Decrease of clearance due to temperature rise of the rolling elements	mm	$D_w$ : Average diameter of rolling elements	mm
$S_w$ : Increase of clearance due to load	mm	roller bearing ... $D_w \doteq 0.25 (D - d)$	
$\Delta_{deff}$ : Effective interference of inner ring	mm	$t_i$ : Temperature rise of the inner ring	°C
d : Nominal bore diameter (shaft diameter)	mm	$t_e$ : Temperature rise of the outer ring	°C
$d_0$ : Bore diameter of hollow shaft	mm	$t_w$ : Temperature rise of rolling elements	°C
$D_i$ : Inner ring raceway contact diameter	mm		
roller bearing ... $D_i \doteq 0.25 (D + 3d)$			

■ Bearings are sometimes used with a non-steel shaft or housing.

In the automotive industry, a statistical method is often incorporated for selection of clearance.

In these cases, or when other special operating conditions are involved, JTEKT should be consulted.

LUBRICATION

PURPOSE OF LUBRICATION

Lubrication is one of the most important factors determining bearing performance. Since the suitability of the lubricant and lubrication method have a dominant influence on bearing life, the most suitable lubricant should be selected according to operating conditions.

Functions of lubrication :

- To lubricate each part of the bearing, and to reduce friction and wear
- To carry away heat generated inside bearing due to friction and other causes
- To cover rolling contact surface with the proper oil film in order to prolong bearing fatigue life
- To prevent corrosion and contamination by dirt

Although the same general rules for ball bearings and roller bearings can also be applied to needle roller bearing lubrication, the following points should also be considered :

- The space in the bearing is very small; thus, only a little lubricant can be retained.
- The bearing is relatively wide, so circulating the lubricant through the bearing is difficult.
- In the case of full complement type sliding contact between rollers may arise.
- Rollers may skew during rotation.
- Often used in the application where oscillating motion is present.

Accordingly, these points must be given sufficient consideration when selecting the lubricant and method of lubrication.

LUBRICANT

Bearing lubrication is classified broadly into two categories : grease lubrication and oil lubrication. Table A-11 makes a general comparison between the two.

Table A-11. Comparison between grease and oil lubrication

Item	Grease	Oil
Sealing device	Easy	Slightly complicated and special care required for maintenance
Lubricating ability	Good	Excellent
Rotation speed	Low/medium speed	Applicable at high speed as well
Replacement of lubricant	Slightly troublesome	Easy
Life of lubricant	Relatively short	Long
Cooling effect	No cooling effect	Good (circulation is necessary)
Filtration of dirt	Difficult	Easy

GREASE LUBRICATION

Grease is made by mixing and dispersing a solid of high oil-affinity (called a thickener) with lubricant oil (as a base), and transforming it into a semi-solid state.

As well, a variety of additives can be added to improve specific performance.

Many types of grease are marketed in various combinations of thickener, base oil and additives according to the purposes. So, it is very important to select proper types of grease.

The characteristics of various greases are shown in Table A-12.

Table A-12. Characteristics of respective greases

	Lithium grease			Calcium grease (cup grease)	Sodium grease (fiber grease)	Complex base grease		Non-soap base grease		
	Mineral oil	Synthetic oil (diester oil)	Synthetic oil (silicon oil)	Mineral oil	Mineral oil	Lithium complex soap	Calcium complex soap	Bentone	Urea compounds	Fluorine compounds
Thickener	Lithium soap			Calcium soap	Sodium soap					
Base oil	Mineral oil	Synthetic oil (diester oil)	Synthetic oil (silicon oil)	Mineral oil	Mineral oil	Mineral oil	Mineral oil	Mineral oil	Mineral/synthetic oil	Synthetic oil
Dropping point (°C)	170 to 190	170 to 230	220 to 260	80 to 100	160 to 180	250 or higher	200 to 280	-	240 or higher	250 or higher
Operating temperature range (°C)	-30 to +120	-50 to +130	-50 to +180	-10 to +70	0 to +110	-30 to +150	-10 to +130	-10 to +150	-30 to +150	-40 to +250
Rotation speed range	Medium to high	High	Low to medium	Low to medium	Low to high	Low to high	Low to medium	Medium to high	Low to high	Low to medium
Mechanical stability	Excellent	Good to excellent	Good	Fair to good	Good to excellent	Good to excellent	Good	Good	Good to excellent	Good
Water resistance	Good	Good	Good	Good	Bad	Good to excellent	Good	Good	Good to excellent	Good
Pressure resistance	Good	Fair	Bad to fair	Fair	Good to excellent	Good	Good	Good to excellent	Good to excellent	Good
Remarks	Most widely usable for various rolling bearings.	Superior low temperature and friction characteristics.	Superior high and low temperature characteristics.	Suitable for applications at low rotation speed and under light load. Not applicable at high temperature.	Liable to emulsify in the presence of water. Used at relatively high temperature.	Superior mechanical stability and heat resistance. Used at relatively high temperature.	Superior pressure resistance when extreme pressure agent is added.	Suitable for applications at high temperature and under relatively heavy load.	Superior water resistance, oxidation stability, and heat stability. Suitable for applications at high temperature and high speed.	Superior chemical resistance and solvent resistance. Usable at up to 250 °C.

**(1) Base oil**

Mineral oil is usually used as the base oil for grease.

When low temperature fluidity, high temperature stability, or other special performance is required, diester oil, silicon oil, polyglycolic oil, fluorinated oil, or other synthetic oil is often used.

Generally, grease with a low viscosity base oil is suitable for applications at low temperature or high rotation speed; grease with high viscosity base oils are suitable for applications at high temperature or under heavy load.

**(2) Thickener**

Most greases use a metallic soap base such as lithium, sodium, or calcium as thickeners. For some applications, however, non-soap base thickeners (inorganic substances such as bentone, silica gel, and organic substances such as urea compounds, fluorine compounds) are also used.

In general, the mechanical stability, bearing operating temperature range, water resistance, and other characteristics of grease are determined by the thickener.

(Lithium soap base grease)

Superior in heat resistance, water resistance and mechanical stability.

(Calcium soap base grease)

Superior in water resistance; inferior in heat resistance.

(Sodium soap base grease)

Superior in heat resistance; inferior in water resistance.

(Non-soap base grease)

Superior in heat resistance.

**(3) Additives**

Various additives are selectively used to serve the respective purposes of grease applications.

- Extreme pressure agents  
When bearings must tolerate heavy or impact loads.
- Oxidation inhibitors  
When grease is not refilled for a long period.

Structure stabilizers, rust preventives, and corrosion inhibitors are also used.

**(4) Consistency**

Consistency, which indicates grease hardness, is expressed as a figure obtained, in accordance with ASTM (JIS), by multiplication by 10 the depth (in mm) to which the cone-shaped metallic plunger penetrates into the grease at 25 °C by deadweight in 5 seconds. The softer the grease, the higher the figure.

Table A-13 shows the relationships between the NLGI scales and ASTM (JIS) penetration indexes, service conditions of grease.

(NLGI : National Lubricating Grease Institute)

It is imperative that the bearing operating temperature is always within the temperature range specified for the grease used. Although softer greases provide better lubrication, they are more likely to be churned. Since grease churning tends to cause temperature rise and leakage, this characteristic should be taken into account when selecting grease consistency. For ordinary operating conditions, greases of NLGI No. 0 to 3 are commonly used. When the bearing operating speed is higher, a somewhat harder grease with high mechanical stability should be selected.

**Table A-13. Grease consistency and service conditions**

ASTM (JIS) penetration index (25 °C, 60 mixing operations)	NLGI scale	Service conditions/applications
355 - 385	0	For centralized lubricating
310 - 340	1	For centralized lubricating, at low temperature
265 - 295	2	For general use
220 - 250	3	For general use, at high temperature
175 - 205	4	For special applications

[Note] The larger the penetration index, the softer is the grease.

**(5) Mixing of different greases**

Since mixing of different greases changes their properties, greases of different brands should not be mixed.

If mixing cannot be avoided, greases containing the same thickener should be used. Even if the mixed greases contain the same thickener, however, mixing may still produce adverse effects, due to difference in additives or other factors.

Thus it is necessary to check the effects of a mixture in advance, through testing or other methods.



A

### REPLENISHMENT/REPLACEMENT OF GREASE

The method of replenishing/replacing grease depends largely on the lubrication method. Whichever method may be utilized, care should be taken to use clean grease and to keep dirt or other foreign matter out of the housing.

When grease is refilled, new grease must be injected inside bearing.

In case of high speed operation or a small air space, because it is necessary to replenish grease often, a grease inlet should be provided as near the bearing as possible so that the deteriorated grease may be replaced by new grease.

Under normal operating conditions, grease life may be approximated by the graphs shown in Fig. A-5. It is recommended you use this diagram as a guide for replenishment and replacement of grease.

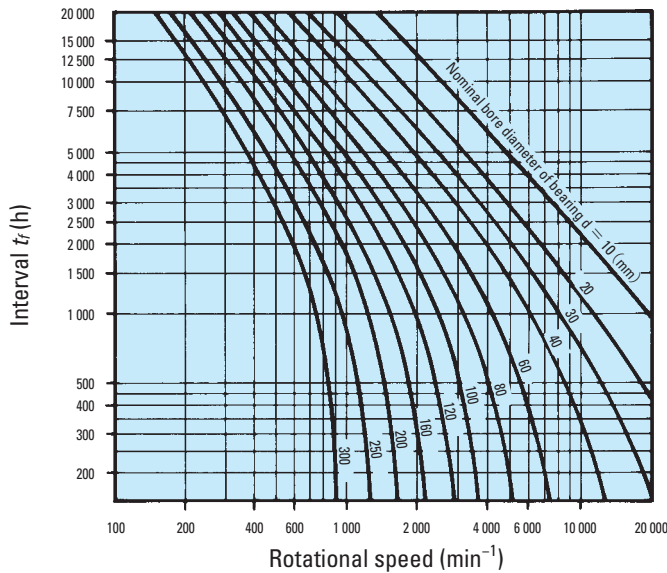


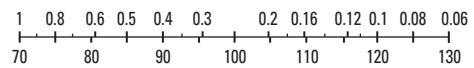
Fig. A-5 Grease feeding interval

■ Temperature correction

When the bearing operating temperature exceeds 70 °C,  $t_f'$ , obtained by multiplying  $t_f$  by correction coefficient  $a$ , found on the scale below, should be applied as the feeding interval.

$$t_f' = t_f \cdot a$$

Temperature correction coefficient  $a$



Bearing operating temperature  $T$  °C

**WARNING**

Mixing grease types can cause the lubricant to become ineffective, which can result in equipment failure, creating a risk of serious bodily harm.



## LUBRICATING OIL

The most commonly used bearing lubricating oil is super refined mineral oil, which has excellent oxidation stability and rust inhibition as well as high film strength. However, as bearings are being used in a variety of applications, a wide variety of synthetic oils are

being used. What's more, a variety of additives (such as oxidation inhibitors, rust inhibitors, and anti-foam agents) are being used to improve the specific properties of these synthetic oils. Table A-14 shows the properties of various lubricating oils.

**Table A-14. Properties of various lubricating oils**

Lubricating oil type	Super refined mineral oil	Major synthetic oils				
		Diester oil	Silicon oil	Polyglycolic oil	Polyphenyl ether oil	Fluorinated oil
Bearing operating temperature range (°C)	-40 to +220	-55 to +150	-70 to +350	-30 to +150	0 to +330	-20 to +300
Lubricating ability	Excellent	Excellent	Fair	Good	Good	Excellent
Oxidation stability	Good	Good	Fair	Fair	Excellent	Excellent
Radiation resistance	Bad	Bad	Bad to fair	Bad	Excellent	-

## LUBRICATING OIL SELECTION

The most important thing to consider when selecting a lubricating oil is to select an oil that has a viscosity that is appropriate for the operating temperature of the bearing.

Use Table A-15 to select the proper kinematic viscosity for your bearing operating conditions. Use this value as a guideline.

If the viscosity of the lubricating oil is too low, an insufficient oil film will form. If the viscosity of the lubricating oil is too high, heat will

be generated due to viscous resistance.

Generally, the larger the load or the higher the operating temperature, the higher the viscosity of the used lubricating oil and the higher the rotational speed, the lower the viscosity of the used lubricating oil.

The relationship between the lubricating oil viscosity and temperature is shown in Fig. A-6.

**Table A-15. Proper kinematic viscosities by bearing operating conditions**

Operating temperature	$d_m n$ value	Proper kinematic viscosity (expressed in the ISO viscosity grade or the SAE No.)		
		Light/normal load		Heavy/impact load
-30 to 0°C	All rotation speeds	ISO VG 15, 22, 46	{ Refrigerating Machine oil }	—
0 to 60°C	300 000 or lower	ISO VG 46	{ Bearing oil Turbine oil }	ISO VG 68 SAE 30 { Bearing oil Turbine oil }
	300 000 to 600 000	ISO VG 32	{ Bearing oil Turbine oil }	ISO VG 68 { Bearing oil Turbine oil }
	600 000 or higher	ISO VG 7, 10, 22	{ Bearing oil }	—
60 to 100°C	300 000 or lower	ISO VG 68	{ Bearing oil }	ISO VG 68, 100 SAE 30 { Bearing oil }
	300 000 to 600 000	ISO VG 32, 46	{ Bearing oil Turbine oil }	ISO VG 68 { Bearing oil Turbine oil }
	600 000 or higher	ISO VG 22, 32, 46	{ Bearing oil Turbine oil Machine oil }	—
100 to 150°C	300 000 or lower	ISO VG 68, 100 SAE 30, 40	{ Bearing oil }	ISO VG 100 to 460 { Bearing oil Gear oil }
	300 000 to 600 000	ISO VG 68 SAE 30	{ Bearing oil Turbine oil }	ISO VG 68, 100 SAE 30, 40 { Bearing oil }

- [Remarks] 1.  $d_m n = \frac{D+d}{2} \times n$ ..... {D: nominal outside diameter (mm), d: nominal bore diameter (mm), n: rotational speed (min<sup>-1</sup>)}
2. Please contact with JTEKT if the bearing operating temperature is under -30 °C or over 150 °C.

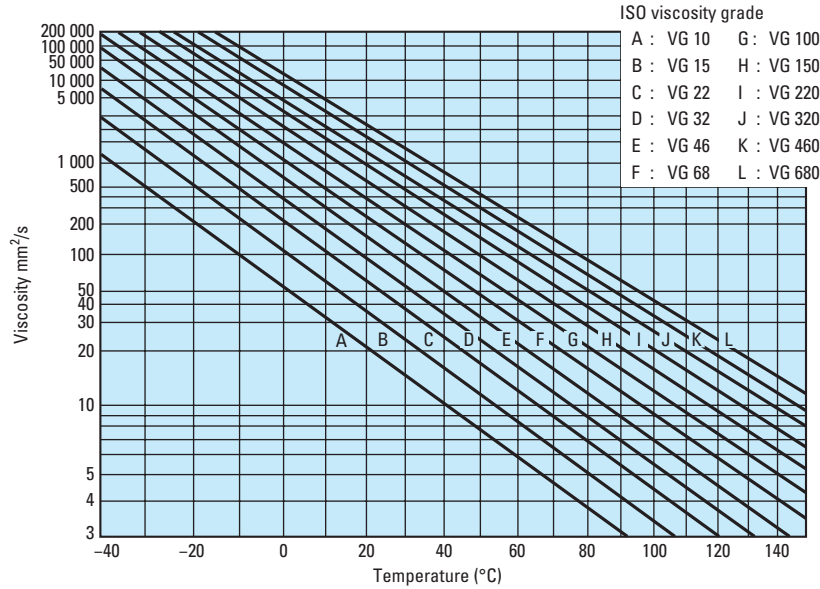


Fig. A-6. Relationship between lubricating oil viscosity and temperature (viscosity index : 100)

**CLASSIFICATION**

There are several classifications of oils based on viscosity grades. The most familiar are the Society of Automotive Engineers (SAE) classifications for automotive engine and gear oils. The American Society for Testing and Materials (ASTM) and the International Organization for Standardization (ISO) have adopted standard viscosity grades for industrial fluids. Fig. A-7 shows the viscosity comparisons of ISO/ASTM with SAE classification systems at 40°C (104°F).

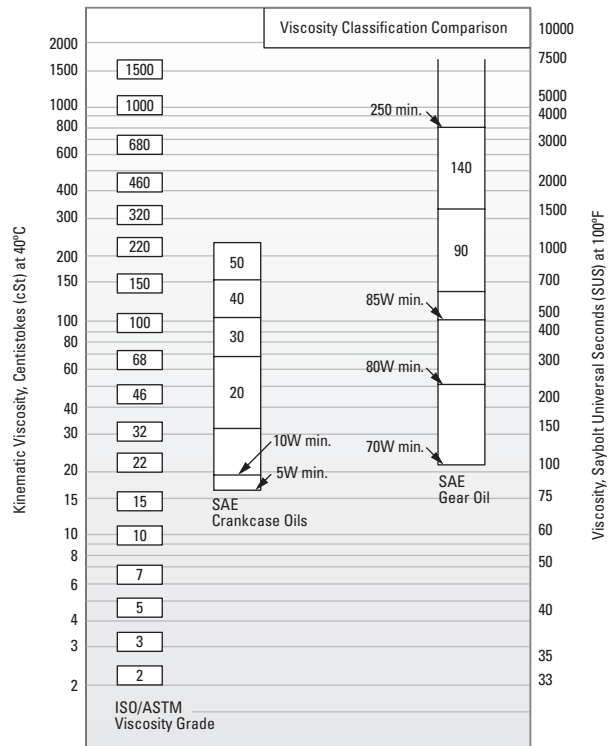


Fig. A-7. Viscosity classification comparison between ISO/ASTM grades (ISO 3448/ASTM D2442) and SAE grades (SAE J 300-80 for crankcase oils, SAE J 306-81 for axle and manual transmission oils)

## OIL LUBRICATION METHOD

Oil lubrication is usable even with high speed rotation and at somewhat high temperatures and is effective in reducing bearing vibration and noise. Therefore, oil lubrication is used in many cases

where grease lubrication does not work.

The main types and methods of oil lubrication are shown in Table A-16.

**Table A-16. Types and methods of oil lubrication**

Oil bath	<ul style="list-style-type: none"> <li>• This is the simplest method. Bearings are soaked in oil before operation.</li> <li>• This method is applicable for low and medium rotational speeds.</li> <li>• Attaching an oil level gauge makes it possible to adjust the oil amount.</li> <li>• For horizontal shafts, approximately half of the rolling element in the lowest position is immersed. For vertical shafts, approximately 70 to 80% of the bearings are immersed.</li> <li>• Using magnetic lids is advantageous as it prevents iron powder generated by friction from being dispersed in the oil.</li> </ul>
Oil drip	<ul style="list-style-type: none"> <li>• An oiler is used to drip the oil, and the rotating parts are operated to fill the inside of the housing with an oil mist, which also has a cooling effect.</li> <li>• This method can be used with up to relatively high speeds and medium-sized loads.</li> <li>• The most common example of this method uses five to six drops of oil per minute. (It is difficult to adjust the amount of oil used to 1 mL/h or less.)</li> <li>• Ensure that oil does not accumulate in the bottom of the housing.</li> </ul>
Oil splash	<ul style="list-style-type: none"> <li>• A simple flinger or gears are attached to the shaft to supply the oil to its destination by means of flinging or splashing operations. This method can be used to supply oil even to bearings that are far away from the oil tank.</li> <li>• This method can be used with up to relatively high speeds.</li> <li>• The oil level must be maintained within a certain range.</li> <li>• Using magnetic lids is advantageous as it prevents iron powder generated by friction from being dispersed in the oil. What's more, to prevent the intrusion of foreign materials into the bearing, it is advisable to use a shield board or baffle.</li> </ul>
Forced oil circulation	<ul style="list-style-type: none"> <li>• This method uses an oil circulation system. After the supplied oil lubricates and cools the inside of the bearing, the oil passes through the oil return pipe to the tank. The oil is filtered and cooled and is then forcibly supplied once more by way of a pump.</li> <li>• This method is used a great deal under high rotational speed and high temperature conditions.</li> <li>• To prevent the lubricating oil from accumulating inside the housing, it is advisable to make the oil return pipe approximately twice as thick as the oil supply pipe.</li> </ul>
Oil jet	<ul style="list-style-type: none"> <li>• In this method, oil is sprayed from nozzles at a constant pressure (approximately 0.1 to 0.5 MPa). This method provides a large cooling effect.</li> <li>• This method is applicable for high rotational speeds and heavy loads.</li> <li>• Generally, the nozzle diameters are between 0.5 and 2 mm, and nozzles are installed in positions between 5 and 10 mm from the sides of the bearings. It is advisable to use between 2 and 4 nozzles for situations in which a large amount of heat is generated.</li> <li>• The oil jet method supplies a large quantity of oil, so it is advisable to use an oil discharge pump to forcibly discharge oil in order to prevent against the stagnation of unnecessary oil.</li> </ul>
Oil mist lubrication (fog lubrication)	<ul style="list-style-type: none"> <li>• In this method, dry mist (air that contains oil in mist form) obtained from an oil mist generator is continuously sent to the location where oil is to be applied to the bearing. The dry mist is then changed to wet mist (oil drops that can easily be affixed to a surface) by the nozzles attached to the housing or bearing, and the oil is then applied to the bearing.</li> <li>• This method forms and retains the minimum necessary oil film for lubrication, which provides benefits such as prevention of oil pollution, simplification of bearing maintenance, extension of bearing fatigue life, and reduction of oil consumption.</li> </ul>
Oil and air lubrication	<ul style="list-style-type: none"> <li>• In this method, a metering piston is used to eject a minuscule amount of oil, a mixing valve is used to mix the oil with compressed air, and the oil and air mixture is then applied to the bearing continuously and stably.</li> <li>• It's possible to perform metering management of the minuscule amount of oil, so new lubricating oil can always be supplied. Therefore, this method is applicable to usages with high rotational speeds such as machine tool main spindles.</li> <li>• The spindle's internal pressure rises because compressed air is supplied together with the lubricating oil. Therefore, this method is also effective at preventing the intrusion of external materials such as debris and cutting fluid. What's more, the lubricating oil flows through the oil supply pipe, so this method results in an extremely small amount of air pollution.</li> </ul>

## LIMITING SPEEDS

In addition to the bearing load ratings, the tabular pages also list the limiting speed values which are the maximum speeds at which the bearings may operate. These speeds have been calculated for unsealed and sealed bearings of conventional design, tolerances and internal clearances, properly mounted with low applied loads using normal splash, drip feed or other methods of lubrication which will provide adequate cooling of the bearings. A bearing may operate at a speed higher than the listed limiting speed with the use of a clean, good quality oil and after prior consultation with JTEKT's Engineering Department. With high speeds and high acceleration rates, the ratio of  $P/C$  should not fall below 0.02 to prevent skidding of the rolling elements.

Also the bearing should not be subjected to uneven stress distribution due to the effects of misalignment between the bearing housings, deformation of the shaft or housing.

### Speeds Inadequate for Elastohydrodynamic Lubricating Film

International Standard **ISO 281** which covers calculation of dynamic load ratings and rating life states that at exceptionally low rotational speeds (i.e. the product of speed and pitch diameter ( $D_{pw}$ ) in mm is less than 10000) the generated lubricant film is unlikely to be adequate to separate the rolling element/raceway contacts. At such operating conditions it may be inappropriate to calculate the bearing life although practical improvement in life, may be achieved with the use of lubricants of higher kinematic viscosity or containing EP additives.

## BEARING TOLERANCES, INCH AND METRIC

### TOLERANCES OF NEEDLE ROLLER BEARINGS

The tolerances given in the following table apply to the rings of needle roller radial bearing types whose rings are precision finished.

#### TOLERANCE TERMS, SYMBOLS AND DEFINITIONS Axes, planes etc.

**Inner ring axis:** Axis of the cylinder inscribed in a basically cylindrical bore. The inner ring axis is also the bearing axis.

**Outer ring axis:** Axis of the cylinder circumscribed around a basically cylindrical outside surface.

**Radial plane:** Plane perpendicular to the bearing or ring axis. It is, however, acceptable to consider radial planes referred to in the definitions as being parallel with the plane tangential to the reference face of a ring or the back face of a thrust bearing washer.

**Radial direction:** Direction through the bearing or ring axis in a radial plane.

**Axial plane:** Plane containing the bearing or ring axis.

**Axial direction:** Direction parallel with the bearing or ring axis. It is, however, acceptable to consider axial directions referred to in the definitions as being perpendicular to the plane tangential to the reference face of a ring or the back face of a thrust bearing washer.

**Reference face:** Face designated by the manufacturer of the bearings and that may be used as the reference face in measurements.

The reference face for measurement is generally taken as the unmarked face. In case of symmetrical rings, when it is not possible to identify the reference face, the tolerances are deemed to comply relative to either face, but not to both.

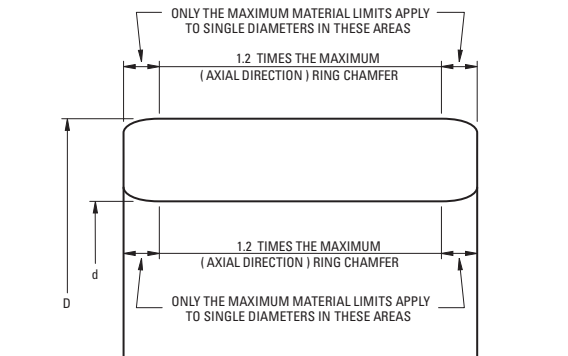
**Outer ring flange back face:** That side of an outer ring flange that is intended to support axial load.

**Middle of raceway:** Point or line on a raceway surface halfway between the two edges of the raceway.

**Raceway contact diameter:** Diameter of the theoretical circle through the nominal points of contact between the rolling elements and the raceway.

**NOTE:** For roller bearings, the nominal point of contact is generally at the middle of the roller.

**Diameter deviation near ring faces:** In radial planes, when nearer to the face of a ring than 1.2 times the maximum (axial direction) ring chamfer, only the maximum material limits apply.



#### ABMA / ISO Symbols - Inner Ring

$\Delta d_{mp}$  Single plane mean bore diameter deviation from basic bore diameter, e.g., bore tolerance for a basically tapered bore,  $\Delta d_{mp}$  refers only to the theoretical small bore end of the bore.

$V_{dsp}$  Difference between the largest and the smallest of the single bore diameters in a single radial plane.

$V_{dmp}$  Difference between the largest and smallest of the mean bore diameters in a single radial plane of an individual ring.

#### ABMA / ISO Symbols - Outer Ring

$\Delta D_{mp}$  Single plane mean outside diameter deviation from basic outside diameter, e.g., O.D. tolerance.

$V_{Dsp}$  Difference between the largest and smallest of the single outside diameters in a single radial plane.

The following tables provide standard ISO tolerance information. They are provided for general use and are referenced throughout this catalog.

ISO Tolerances for Holes – Metric													
Diameters mm		Deviations mm						Deviations mm					
>	≤	B10		B11		B12		C9		C10		C11	
		Max.	Min.	Max.	Min.	Max.	Min.	Max.	Min.	Max.	Min.	Max.	Min.
3	6	0.188	0.140	0.215	0.140	0.260	0.140	0.100	0.070	0.118	0.070	0.145	0.070
6	10	0.208	0.150	0.240	0.150	0.300	0.150	0.116	0.080	0.138	0.080	0.170	0.080
10	18	0.220	0.150	0.260	0.150	0.330	0.150	0.138	0.095	0.165	0.095	0.205	0.095
18	30	0.244	0.160	0.290	0.160	0.370	0.160	0.162	0.110	0.194	0.110	0.240	0.110
30	40	0.270	0.170	0.330	0.170	0.420	0.170	0.182	0.120	0.220	0.120	0.280	0.120
40	50	0.280	0.180	0.340	0.180	0.430	0.180	0.192	0.130	0.230	0.130	0.290	0.130
50	65	0.310	0.190	0.380	0.190	0.490	0.190	0.214	0.140	0.260	0.140	0.330	0.140
65	80	0.320	0.200	0.390	0.200	0.500	0.200	0.224	0.150	0.270	0.150	0.340	0.150
80	100	0.360	0.220	0.440	0.220	0.570	0.220	0.257	0.170	0.310	0.170	0.390	0.170
100	120	0.380	0.240	0.460	0.240	0.590	0.240	0.267	0.180	0.320	0.180	0.400	0.180
120	140	0.420	0.260	0.510	0.260	0.660	0.260	0.300	0.200	0.360	0.200	0.450	0.200
140	160	0.440	0.280	0.530	0.280	0.680	0.280	0.310	0.210	0.370	0.210	0.460	0.210
160	180	0.470	0.310	0.560	0.310	0.710	0.310	0.330	0.230	0.390	0.230	0.480	0.230
180	200	0.525	0.340	0.630	0.340	0.800	0.340	0.355	0.240	0.425	0.240	0.530	0.240
200	225	0.565	0.380	0.670	0.380	0.840	0.380	0.375	0.260	0.445	0.260	0.550	0.260
225	250	0.605	0.420	0.710	0.420	0.880	0.420	0.395	0.280	0.465	0.280	0.570	0.280
250	280	0.690	0.480	0.800	0.480	1.000	0.480	0.430	0.300	0.510	0.300	0.620	0.300
280	315	0.750	0.540	0.860	0.540	1.060	0.540	0.460	0.330	0.540	0.330	0.650	0.330
315	355	0.830	0.600	0.960	0.600	1.170	0.600	0.500	0.360	0.590	0.360	0.720	0.360
355	400	0.910	0.680	1.040	0.680	1.250	0.680	0.540	0.400	0.630	0.400	0.760	0.400
400	450	1.010	0.760	1.160	0.760	1.390	0.760	0.595	0.440	0.690	0.440	0.840	0.440
450	500	1.090	0.840	1.240	0.840	1.470	0.840	0.635	0.480	0.730	0.480	0.880	0.480

Diameters mm		Deviations mm									
>	≤	E9		E10		E11		E12		E13	
		Max.	Min.	Max.	Min.	Max.	Min.	Max.	Min.	Max.	Min.
3	6	0.050	0.020	0.068	0.020	0.095	0.020	0.140	0.020	0.200	0.020
6	10	0.061	0.025	0.083	0.025	0.115	0.025	0.175	0.025	0.245	0.025
10	18	0.075	0.032	0.102	0.032	0.142	0.032	0.212	0.032	0.302	0.032
18	30	0.092	0.040	0.124	0.040	0.170	0.040	0.250	0.040	0.370	0.040
30	50	0.112	0.050	0.150	0.050	0.210	0.050	0.300	0.050	0.440	0.050
50	80	0.134	0.060	0.180	0.060	0.250	0.060	0.360	0.060	0.520	0.060
80	120	0.159	0.072	0.212	0.072	0.292	0.072	0.422	0.072	0.612	0.072
120	180	0.185	0.085	0.245	0.085	0.335	0.085	0.485	0.085	0.715	0.085
180	250	0.215	0.100	0.285	0.100	0.390	0.100	0.560	0.100	0.820	0.100
250	315	0.240	0.110	0.320	0.110	0.430	0.110	0.630	0.110	0.920	0.110
315	400	0.265	0.125	0.355	0.125	0.485	0.125	0.695	0.125	1.015	0.125
400	500	0.290	0.135	0.385	0.135	0.535	0.135	0.765	0.135	1.105	0.135

Diameters mm		Deviations mm							
>	≤	F5		F6		F7		F8	
		Max.	Min.	Max.	Min.	Max.	Min.	Max.	Min.
3	6	0.015	0.010	0.018	0.010	0.022	0.010	0.028	0.010
6	10	0.019	0.013	0.022	0.013	0.028	0.013	0.035	0.013
10	18	0.024	0.016	0.027	0.016	0.034	0.016	0.043	0.016
18	30	0.029	0.020	0.033	0.020	0.041	0.020	0.053	0.020
30	50	0.036	0.025	0.041	0.025	0.050	0.025	0.064	0.025
50	80	0.043	0.030	0.049	0.030	0.060	0.030	0.076	0.030
80	120	0.051	0.036	0.058	0.036	0.071	0.036	0.090	0.036
120	180	0.061	0.043	0.068	0.043	0.083	0.043	0.106	0.043
180	250	0.070	0.050	0.079	0.050	0.096	0.050	0.122	0.050
250	315	0.079	0.056	0.088	0.056	0.108	0.056	0.137	0.056
315	400	0.087	0.062	0.098	0.062	0.119	0.062	0.151	0.062
400	500	0.095	0.068	0.108	0.068	0.131	0.068	0.165	0.068

ISO Tolerances for Holes – Metric							
Diameter mm		Deviations mm					
>	≤	G5		G6		G7	
		Max.	Min.	Max.	Min.	Max.	Min.
3	6	0.009	0.004	0.012	0.004	0.016	0.004
6	10	0.011	0.005	0.014	0.005	0.020	0.005
10	18	0.014	0.006	0.017	0.006	0.024	0.006
18	30	0.016	0.007	0.020	0.007	0.028	0.007
30	50	0.020	0.009	0.025	0.009	0.034	0.009
50	80	0.023	0.010	0.029	0.010	0.040	0.010
80	120	0.027	0.012	0.034	0.012	0.047	0.012
120	180	0.032	0.014	0.039	0.014	0.054	0.014
180	250	0.035	0.015	0.044	0.015	0.061	0.015
250	315	0.040	0.017	0.049	0.017	0.069	0.017
315	400	0.043	0.018	0.054	0.018	0.075	0.018
400	500	0.047	0.020	0.060	0.020	0.083	0.020

Diameters mm		Deviations mm									
>	≤	H4		H5		H6		H7		H8	
		Max.	Min.	Max.	Min.	Max.	Min.	Max.	Min.	Max.	Min.
3	6	0.004	0.000	0.005	0.000	0.008	0.000	0.012	0.000	0.018	0.000
6	10	0.004	0.000	0.006	0.000	0.009	0.000	0.015	0.000	0.022	0.000
10	18	0.005	0.000	0.008	0.000	0.011	0.000	0.018	0.000	0.027	0.000
18	30	0.006	0.000	0.009	0.000	0.013	0.000	0.021	0.000	0.033	0.000
30	50	0.007	0.000	0.011	0.000	0.016	0.000	0.025	0.000	0.039	0.000
50	80	0.008	0.000	0.013	0.000	0.019	0.000	0.030	0.000	0.046	0.000
80	120	0.010	0.000	0.015	0.000	0.022	0.000	0.035	0.000	0.054	0.000
120	180	0.012	0.000	0.018	0.000	0.025	0.000	0.040	0.000	0.063	0.000
180	250	0.014	0.000	0.020	0.000	0.029	0.000	0.046	0.000	0.072	0.000
250	315	0.016	0.000	0.023	0.000	0.032	0.000	0.052	0.000	0.081	0.000
315	400	0.018	0.000	0.025	0.000	0.036	0.000	0.057	0.000	0.089	0.000
400	500	0.020	0.000	0.027	0.000	0.040	0.000	0.063	0.000	0.097	0.000

Diameters mm		Deviations mm							
>	≤	H9		H10		H11		H12	
		Max.	Min.	Max.	Min.	Max.	Min.	Max.	Min.
3	6	0.030	0.000	0.048	0.000	0.075	0.000	0.120	0.000
6	10	0.036	0.000	0.058	0.000	0.090	0.000	0.150	0.000
10	18	0.043	0.000	0.070	0.000	0.110	0.000	0.180	0.000
18	30	0.052	0.000	0.084	0.000	0.130	0.000	0.210	0.000
30	50	0.062	0.000	0.100	0.000	0.160	0.000	0.250	0.000
50	80	0.074	0.000	0.120	0.000	0.190	0.000	0.300	0.000
80	120	0.087	0.000	0.140	0.000	0.220	0.000	0.350	0.000
120	180	0.100	0.000	0.160	0.000	0.250	0.000	0.400	0.000
180	250	0.115	0.000	0.185	0.000	0.290	0.000	0.460	0.000
250	315	0.130	0.000	0.210	0.000	0.320	0.000	0.520	0.000
315	400	0.140	0.000	0.230	0.000	0.360	0.000	0.570	0.000
400	500	0.155	0.000	0.250	0.000	0.400	0.000	0.630	0.000





ISO Tolerances for Holes – Metric

Diameters mm		Deviations mm						Deviations mm					
>	≤	J6		J7		J8		K6		K7		K8	
		Max.	Min.	Max.	Min.	Max.	Min.	Max.	Min.	Max.	Min.	Max.	Min.
3	6	0.005	-0.003	0.006	-0.006	0.010	-0.008	0.002	-0.006	0.003	-0.009	0.005	-0.013
6	10	0.005	-0.004	0.008	-0.007	0.012	-0.010	0.002	-0.007	0.005	-0.010	0.006	-0.016
10	18	0.006	-0.005	0.010	-0.008	0.015	-0.012	0.002	-0.009	0.006	-0.012	0.008	-0.019
18	30	0.008	-0.005	0.012	-0.009	0.020	-0.013	0.002	-0.011	0.006	-0.015	0.010	-0.023
30	50	0.010	-0.006	0.014	-0.011	0.024	-0.015	0.003	-0.013	0.007	-0.018	0.012	-0.027
50	80	0.013	-0.006	0.018	-0.012	0.028	-0.018	0.004	-0.015	0.009	-0.021	0.014	-0.032
80	120	0.016	-0.006	0.022	-0.013	0.034	-0.020	0.004	-0.018	0.010	-0.025	0.016	-0.038
120	180	0.018	-0.007	0.026	-0.014	0.041	-0.022	0.004	-0.021	0.012	-0.028	0.020	-0.043
180	250	0.022	-0.007	0.030	-0.016	0.047	-0.025	0.005	-0.024	0.013	-0.033	0.022	-0.050
250	315	0.025	-0.007	0.036	-0.016	0.055	-0.026	0.005	-0.027	0.016	-0.036	0.025	-0.056
315	400	0.029	-0.007	0.039	-0.018	0.060	-0.029	0.007	-0.029	0.017	-0.040	0.028	-0.061
400	500	0.033	-0.007	0.043	-0.020	0.066	-0.031	0.008	-0.032	0.018	-0.045	0.029	-0.068

Diameters mm		Deviations mm						Deviations mm					
>	≤	M5		M6		M7		N6		N7		N8	
		Max.	Min.	Max.	Min.	Max.	Min.	Max.	Min.	Max.	Min.	Max.	Min.
3	6	-0.003	-0.008	-0.001	-0.009	0.000	-0.012	-0.005	-0.013	-0.004	-0.016	-0.002	-0.020
6	10	-0.004	-0.010	-0.003	-0.012	0.000	-0.015	-0.007	-0.016	-0.004	-0.019	-0.003	-0.025
10	18	-0.004	-0.012	-0.004	-0.015	0.000	-0.018	-0.009	-0.020	-0.005	-0.023	-0.003	-0.030
18	30	-0.005	-0.014	-0.004	-0.017	0.000	-0.021	-0.011	-0.024	-0.007	-0.028	-0.003	-0.036
30	50	-0.005	-0.016	-0.004	-0.020	0.000	-0.025	-0.012	-0.028	-0.008	-0.033	-0.003	-0.042
50	80	-0.006	-0.019	-0.005	-0.024	0.000	-0.030	-0.014	-0.033	-0.009	-0.039	-0.004	-0.050
80	120	-0.008	-0.023	-0.006	-0.028	0.000	-0.035	-0.016	-0.038	-0.010	-0.045	-0.004	-0.058
120	180	-0.009	-0.027	-0.008	-0.033	0.000	-0.040	-0.020	-0.045	-0.012	-0.052	-0.004	-0.067
180	250	-0.011	-0.031	-0.008	-0.037	0.000	-0.046	-0.022	-0.051	-0.014	-0.060	-0.005	-0.077
250	315	-0.013	-0.036	-0.009	-0.041	0.000	-0.052	-0.025	-0.057	-0.014	-0.066	-0.005	-0.086
315	400	-0.014	-0.039	-0.010	-0.046	0.000	-0.057	-0.026	-0.062	-0.016	-0.073	-0.005	-0.094
400	500	-0.016	-0.043	-0.010	-0.050	0.000	-0.063	-0.027	-0.067	-0.017	-0.080	-0.006	-0.103

Diameters mm		Deviations mm				Deviations mm				Deviations mm	
>	≤	P6		P7		R6		R7		R8	
		Max.	Min.	Max.	Min.	Max.	Min.	Max.	Min.	Max.	Min.
3	6	-0.009	-0.017	-0.008	-0.020	-0.012	-0.020	-0.011	-0.023	-0.015	-0.033
6	10	-0.012	-0.021	-0.009	-0.024	-0.016	-0.025	-0.013	-0.028	-0.019	-0.041
10	18	-0.015	-0.026	-0.011	-0.029	-0.020	-0.031	-0.016	-0.034	-0.023	-0.050
18	30	-0.018	-0.031	-0.014	-0.035	-0.024	-0.037	-0.020	-0.041	-0.028	-0.061
30	50	-0.021	-0.037	-0.017	-0.042	-0.029	-0.045	-0.025	-0.050	-0.034	-0.073
50	65	-0.026	-0.045	-0.021	-0.051	-0.035	-0.054	-0.030	-0.060	-0.041	-0.087
65	80	-0.026	-0.045	-0.021	-0.051	-0.037	-0.056	-0.032	-0.062	-0.043	-0.089
80	100	-0.030	-0.052	-0.024	-0.059	-0.044	-0.066	-0.038	-0.073	-0.051	-0.105
100	120	-0.030	-0.052	-0.024	-0.059	-0.047	-0.069	-0.041	-0.076	-0.054	-0.108
120	140	-0.037	-0.061	-0.028	-0.068	-0.056	-0.081	-0.048	-0.088	-0.063	-0.126
140	160	-0.036	-0.061	-0.028	-0.068	-0.058	-0.083	-0.050	-0.090	-0.065	-0.128
160	180	-0.036	-0.061	-0.028	-0.068	-0.061	-0.086	-0.053	-0.093	-0.068	-0.131
180	200	-0.041	-0.070	-0.033	-0.079	-0.068	-0.097	-0.060	-0.106	-0.077	-0.149
200	225	-0.041	-0.070	-0.033	-0.079	-0.071	-0.100	-0.063	-0.109	-0.080	-0.152
225	250	-0.041	-0.070	-0.033	-0.079	-0.075	-0.104	-0.067	-0.113	-0.084	-0.156
250	280	-0.047	-0.079	-0.036	-0.088	-0.085	-0.117	-0.074	-0.126	-0.094	-0.175
280	315	-0.047	-0.079	-0.036	-0.088	-0.089	-0.121	-0.078	-0.130	-0.098	-0.179
315	355	-0.051	-0.087	-0.041	-0.098	-0.097	-0.133	-0.087	-0.144	-0.108	-0.197
355	400	-0.051	-0.087	-0.041	-0.098	-0.103	-0.139	-0.093	-0.150	-0.114	-0.203
400	450	-0.055	-0.095	-0.045	-0.108	-0.113	-0.153	-0.103	-0.166	-0.126	-0.223
450	500	-0.055	-0.095	-0.045	-0.108	-0.119	-0.159	-0.109	-0.172	-0.132	-0.229

ISO Tolerances for Shafts – Metric

Diameters mm		Deviations mm							
>	≤	a10		a11		a12		a13	
		Max.	Min.	Max.	Min.	Max.	Min.	Max.	Min.
—	3	-0.270	-0.310	-0.270	-0.330	-0.270	-0.370	-0.270	-0.410
3	6	-0.270	-0.318	-0.270	-0.345	-0.270	-0.390	-0.270	-0.450
6	10	-0.280	-0.338	-0.280	-0.370	-0.280	-0.430	-0.280	-0.500
10	18	-0.290	-0.360	-0.290	-0.400	-0.290	-0.470	-0.290	-0.560
18	30	-0.300	-0.384	-0.300	-0.430	-0.300	-0.510	-0.300	-0.630
30	40	-0.310	-0.410	-0.310	-0.470	-0.310	-0.560	-0.310	-0.700
40	50	-0.320	-0.420	-0.320	-0.480	-0.320	-0.570	-0.320	-0.710
50	65	-0.340	-0.460	-0.340	-0.530	-0.340	-0.640	-0.340	-0.800
65	80	-0.360	-0.480	-0.360	-0.550	-0.360	-0.660	-0.360	-0.820
80	100	-0.380	-0.520	-0.380	-0.600	-0.380	-0.730	-0.380	-0.920
100	120	-0.410	-0.550	-0.410	-0.630	-0.410	-0.760	-0.410	-0.950
120	140	-0.460	-0.620	-0.460	-0.710	-0.460	-0.860	-0.460	-1.090
140	160	-0.520	-0.680	-0.520	-0.770	-0.520	-0.920	-0.520	-1.150
160	180	-0.580	-0.740	-0.580	-0.830	-0.580	-0.980	-0.580	-1.210
180	200	-0.660	-0.845	-0.660	-0.950	-0.660	-1.120	-0.660	-1.380
200	225	-0.740	-0.925	-0.740	-1.030	-0.740	-1.200	-0.740	-1.460
225	250	-0.820	-1.005	-0.820	-1.110	-0.820	-1.280	-0.820	-1.540
250	280	-0.920	-1.130	-0.920	-1.240	-0.920	-1.440	-0.920	-1.730
280	315	-1.050	-1.260	-1.050	-1.370	-1.050	-1.570	-1.050	-1.860
315	355	-1.200	-1.430	-1.200	-1.560	-1.200	-1.770	-1.200	-2.090
355	400	-1.350	-1.580	-1.350	-1.710	-1.350	-1.920	-1.350	-2.240

Diameters mm		Deviations mm						Deviations mm					
>	≤	c11		c12		c13		e11		e12		e13	
		Max.	Min.	Max.	Min.	Max.	Min.	Max.	Min.	Max.	Min.	Max.	Min.
—	3	-0.060	-0.120	-0.060	-0.160	-0.060	-0.200	-0.014	-0.074	-0.014	-0.114	-0.014	-0.154
3	6	-0.070	-0.145	-0.070	-0.190	-0.070	-0.250	-0.020	-0.095	-0.020	-0.140	-0.020	-0.200
6	10	-0.080	-0.170	-0.080	-0.230	-0.080	-0.300	-0.025	-0.115	-0.025	-0.175	-0.025	-0.245
10	18	-0.095	-0.205	-0.095	-0.275	-0.095	-0.365	-0.032	-0.142	-0.032	-0.212	-0.032	-0.302
18	30	-0.110	-0.240	-0.110	-0.320	-0.110	-0.440	-0.040	-0.170	-0.040	-0.250	-0.040	-0.370
30	40	-0.120	-0.280	-0.120	-0.370	-0.120	-0.510	-0.050	-0.210	-0.050	-0.300	-0.050	-0.440
40	50	-0.130	-0.290	-0.130	-0.380	-0.130	-0.520	-0.050	-0.210	-0.050	-0.300	-0.050	-0.440
50	65	-0.140	-0.330	-0.140	-0.440	-0.140	-0.600	-0.060	-0.250	-0.060	-0.360	-0.060	-0.520
65	80	-0.150	-0.340	-0.150	-0.450	-0.150	-0.610	-0.060	-0.250	-0.060	-0.360	-0.060	-0.520
80	100	-0.170	-0.390	-0.170	-0.520	-0.170	-0.710	-0.072	-0.292	-0.072	-0.422	-0.072	-0.612
100	120	-0.180	-0.400	-0.180	-0.530	-0.180	-0.720	-0.072	-0.292	-0.072	-0.422	-0.072	-0.612
120	140	-0.200	-0.450	-0.200	-0.600	-0.200	-0.830	-0.085	-0.335	-0.085	-0.485	-0.085	-0.715
140	160	-0.210	-0.460	-0.210	-0.610	-0.210	-0.840	-0.085	-0.335	-0.085	-0.485	-0.085	-0.715
160	180	-0.230	-0.480	-0.230	-0.630	-0.230	-0.860	-0.085	-0.335	-0.085	-0.485	-0.085	-0.715
180	200	-0.240	-0.530	-0.240	-0.700	-0.240	-0.960	-0.100	-0.390	-0.100	-0.560	-0.100	-0.820
200	225	-0.260	-0.550	-0.260	-0.720	-0.260	-0.980	-0.100	-0.390	-0.100	-0.560	-0.100	-0.820
225	250	-0.280	-0.570	-0.280	-0.740	-0.280	-1.000	-0.100	-0.390	-0.100	-0.560	-0.100	-0.820
250	280	-0.300	-0.620	-0.300	-0.820	-0.300	-1.110	-0.110	-0.430	-0.110	-0.630	-0.110	-0.920
280	315	-0.330	-0.650	-0.330	-0.850	-0.330	-1.140	-0.110	-0.430	-0.110	-0.630	-0.110	-0.920
315	355	-0.360	-0.720	-0.360	-0.930	-0.360	-1.250	-0.125	-0.485	-0.125	-0.695	-0.125	-1.015
355	400	-0.400	-0.760	-0.400	-0.970	-0.400	-1.290	-0.125	-0.485	-0.125	-0.695	-0.125	-1.015



ISO Tolerances for Shafts – Metric

Diameters mm		Deviations mm						Deviations mm					
>	≤	f5		f6		f7		g5		g6		g7	
		Max.	Min.	Max.	Min.	Max.	Min.	Max.	Min.	Max.	Min.	Max.	Min.
—	3	-0.006	-0.010	-0.006	-0.012	-0.006	-0.016	-0.002	-0.006	-0.002	-0.008	-0.002	-0.012
3	6	-0.010	-0.015	-0.010	-0.018	-0.010	-0.022	-0.004	-0.009	-0.004	-0.012	-0.004	-0.016
6	10	-0.013	-0.019	-0.013	-0.022	-0.013	-0.028	-0.005	-0.011	-0.005	-0.014	-0.005	-0.020
10	18	-0.016	-0.024	-0.016	-0.027	-0.016	-0.034	-0.006	-0.014	-0.006	-0.017	-0.006	-0.024
18	30	-0.020	-0.029	-0.020	-0.033	-0.020	-0.041	-0.007	-0.016	-0.007	-0.020	-0.007	-0.028
30	50	-0.025	-0.036	-0.025	-0.041	-0.025	-0.050	-0.009	-0.020	-0.009	-0.025	-0.009	-0.034
50	80	-0.030	-0.043	-0.030	-0.049	-0.030	-0.060	-0.010	-0.023	-0.010	-0.029	-0.010	-0.040
80	120	-0.036	-0.051	-0.036	-0.058	-0.036	-0.071	-0.012	-0.027	-0.012	-0.034	-0.012	-0.047
120	180	-0.043	-0.061	-0.043	-0.068	-0.043	-0.083	-0.014	-0.032	-0.014	-0.039	-0.014	-0.054
180	250	-0.050	-0.070	-0.050	-0.079	-0.050	-0.096	-0.015	-0.035	-0.015	-0.044	-0.015	-0.061
250	315	-0.056	-0.079	-0.056	-0.088	-0.056	-0.108	-0.017	-0.040	-0.017	-0.049	-0.017	-0.069
315	400	-0.062	-0.087	-0.062	-0.098	-0.062	-0.119	-0.018	-0.043	-0.018	-0.054	-0.018	-0.075

Diameters mm		Deviations mm									
>	≤	h4		h5		h6		h7		h8	
		Max.	Min.	Max.	Min.	Max.	Min.	Max.	Min.	Max.	Min.
—	3	0.000	-0.003	0.000	-0.004	0.000	-0.006	0.000	-0.010	0.000	-0.014
3	6	0.000	-0.004	0.000	-0.005	0.000	-0.008	0.000	-0.012	0.000	-0.018
6	10	0.000	-0.004	0.000	-0.006	0.000	-0.009	0.000	-0.015	0.000	-0.022
10	18	0.000	-0.005	0.000	-0.008	0.000	-0.011	0.000	-0.018	0.000	-0.027
18	30	0.000	-0.006	0.000	-0.009	0.000	-0.013	0.000	-0.021	0.000	-0.033
30	50	0.000	-0.007	0.000	-0.011	0.000	-0.016	0.000	-0.025	0.000	-0.039
50	80	0.000	-0.008	0.000	-0.013	0.000	-0.019	0.000	-0.030	0.000	-0.046
80	120	0.000	-0.010	0.000	-0.015	0.000	-0.022	0.000	-0.035	0.000	-0.054
120	180	0.000	-0.012	0.000	-0.018	0.000	-0.025	0.000	-0.040	0.000	-0.063
180	250	0.000	-0.014	0.000	-0.020	0.000	-0.029	0.000	-0.046	0.000	-0.072
250	315	0.000	-0.016	0.000	-0.023	0.000	-0.032	0.000	-0.052	0.000	-0.081
315	400	0.000	-0.018	0.000	-0.025	0.000	-0.036	0.000	-0.057	0.000	-0.089

Diameters mm		Deviations mm									
>	≤	h9		h10		h11		h12		h13	
		Max.	Min.	Max.	Min.	Max.	Min.	Max.	Min.	Max.	Min.
—	3	0.000	-0.025	0.000	-0.040	0.000	-0.060	0.000	-0.100	0.000	-0.140
3	6	0.000	-0.030	0.000	-0.048	0.000	-0.075	0.000	-0.120	0.000	-0.180
6	10	0.000	-0.036	0.000	-0.058	0.000	-0.090	0.000	-0.150	0.000	-0.220
10	18	0.000	-0.043	0.000	-0.070	0.000	-0.110	0.000	-0.180	0.000	-0.270
18	30	0.000	-0.052	0.000	-0.084	0.000	-0.130	0.000	-0.210	0.000	-0.330
30	50	0.000	-0.062	0.000	-0.100	0.000	-0.160	0.000	-0.250	0.000	-0.390
50	80	0.000	-0.074	0.000	-0.120	0.000	-0.190	0.000	-0.300	0.000	-0.460
80	120	0.000	-0.087	0.000	-0.140	0.000	-0.220	0.000	-0.350	0.000	-0.540
120	180	0.000	-0.100	0.000	-0.160	0.000	-0.250	0.000	-0.400	0.000	-0.630
180	250	0.000	-0.115	0.000	-0.185	0.000	-0.290	0.000	-0.460	0.000	-0.720
250	315	0.000	-0.130	0.000	-0.210	0.000	-0.320	0.000	-0.520	0.000	-0.810
315	400	0.000	-0.140	0.000	-0.230	0.000	-0.360	0.000	-0.570	0.000	-0.890

ISO Tolerances for Shafts – Metric

Diameter mm		Deviations mm						Deviations mm					
>	≤	j5		j6		j7		k5		k6		k7	
		Max.	Min.	Max.	Min.	Max.	Min.	Max.	Min.	Max.	Min.	Max.	Min.
—	3	0.002	-0.002	0.004	-0.002	0.006	-0.004	0.004	0.000	0.006	0.000	0.010	0.000
3	6	0.003	-0.002	0.006	-0.002	0.008	-0.004	0.006	0.001	0.009	0.001	0.013	0.001
6	10	0.004	-0.002	0.007	-0.002	0.010	-0.005	0.007	0.001	0.010	0.001	0.016	0.001
10	18	0.005	-0.003	0.008	-0.003	0.012	-0.006	0.009	0.001	0.012	0.001	0.019	0.001
18	30	0.005	-0.004	0.009	-0.004	0.013	-0.008	0.011	0.002	0.015	0.002	0.023	0.002
30	50	0.006	-0.005	0.011	-0.005	0.015	-0.010	0.013	0.002	0.018	0.002	0.027	0.002
50	80	0.006	-0.007	0.012	-0.007	0.018	-0.012	0.015	0.002	0.021	0.002	0.032	0.002
80	120	0.006	-0.009	0.013	-0.009	0.020	-0.015	0.018	0.003	0.025	0.003	0.038	0.003
120	180	0.007	-0.011	0.014	-0.011	0.022	-0.018	0.021	0.003	0.028	0.003	0.043	0.003
180	250	0.007	-0.013	0.016	-0.013	0.025	-0.021	0.024	0.004	0.033	0.004	0.050	0.004
250	315	0.007	-0.016	0.016	-0.016	0.026	-0.026	0.027	0.004	0.036	0.004	0.056	0.004
315	400	0.007	-0.018	0.018	-0.018	0.029	-0.028	0.029	0.004	0.040	0.004	0.061	0.004

Diameter mm		Deviations mm						Deviations mm					
>	≤	m5		m6		m7		n5		n6		n7	
		Max.	Min.	Max.	Min.	Max.	Min.	Max.	Min.	Max.	Min.	Max.	Min.
—	3	0.006	0.002	0.008	0.002	0.012	0.002	0.008	0.004	0.010	0.004	0.014	0.004
3	6	0.009	0.004	0.012	0.004	0.016	0.004	0.013	0.008	0.016	0.008	0.020	0.008
6	10	0.012	0.006	0.015	0.006	0.021	0.006	0.016	0.010	0.019	0.010	0.025	0.010
10	18	0.015	0.007	0.018	0.007	0.025	0.007	0.020	0.012	0.023	0.012	0.030	0.012
18	30	0.017	0.008	0.021	0.008	0.029	0.008	0.024	0.015	0.028	0.015	0.036	0.015
30	50	0.020	0.009	0.025	0.009	0.034	0.009	0.028	0.017	0.033	0.017	0.042	0.017
50	80	0.024	0.011	0.030	0.011	0.041	0.011	0.033	0.020	0.039	0.020	0.050	0.020
80	120	0.028	0.013	0.035	0.013	0.048	0.013	0.038	0.023	0.045	0.023	0.058	0.023
120	180	0.033	0.015	0.040	0.015	0.055	0.015	0.045	0.027	0.052	0.027	0.067	0.027
180	250	0.037	0.017	0.046	0.017	0.063	0.017	0.051	0.031	0.060	0.031	0.077	0.031
250	315	0.043	0.020	0.052	0.020	0.072	0.020	0.057	0.034	0.066	0.034	0.086	0.034
315	400	0.046	0.021	0.057	0.021	0.078	0.021	0.062	0.037	0.073	0.037	0.094	0.037

Diameter mm		Deviations mm					
>	≤	p6		r6		r7	
		Max.	Min.	Max.	Min.	Max.	Min.
80	100	0.059	0.037	-	-	-	-
100	120	0.059	0.037	-	-	-	-
120	140	0.068	0.043	0.090	0.065	-	-
140	160	0.068	0.043	0.090	0.065	-	-
160	180	0.068	0.043	0.090	0.065	-	-
180	200	0.079	0.050	0.106	0.077	-	-
200	225	0.079	0.050	0.109	0.080	0.126	0.080
225	250	0.079	0.050	0.113	0.084	0.130	0.084
250	280	0.088	0.056	0.126	0.094	0.146	0.094
280	315	0.088	0.056	0.130	0.098	0.150	0.098
315	355	0.098	0.062	0.144	0.108	0.165	0.108
355	400	0.098	0.062	0.150	0.114	0.171	0.114
400	450	0.108	0.068	0.166	0.126	0.189	0.126
450	500	0.108	0.068	0.172	0.132	0.195	0.132



ISO Tolerances for Holes – inch

Diameter in		Deviations in						Deviations in					
>	≤	B10		B11		B12		C9		C10		C11	
		Max.	Min.	Max.	Min.	Max.	Min.	Max.	Min.	Max.	Min.	Max.	Min.
0.1181	0.2362	+0.0074	+0.0055	+0.0085	+0.0055	+0.0102	+0.0055	+0.0039	+0.0028	+0.0046	+0.0028	+0.0057	+0.0028
0.2362	0.3937	+0.0082	+0.0059	+0.0094	+0.0059	+0.0118	+0.0059	+0.0046	+0.0031	+0.0054	+0.0031	+0.0067	+0.0031
0.3937	0.7087	+0.0087	+0.0059	+0.0102	+0.0059	+0.0130	+0.0059	+0.0054	+0.0037	+0.0065	+0.0037	+0.0081	+0.0037
0.7087	1.1811	+0.0096	+0.0063	+0.0114	+0.0063	+0.0146	+0.0063	+0.0064	+0.0043	+0.0076	+0.0043	+0.0094	+0.0043
1.1811	1.5748	+0.0106	+0.0067	+0.0130	+0.0067	+0.0165	+0.0067	+0.0072	+0.0047	+0.0087	+0.0047	+0.0110	+0.0047
1.5748	1.9685	+0.0110	+0.0071	+0.0134	+0.0071	+0.0169	+0.0071	+0.0076	+0.0051	+0.0091	+0.0051	+0.0114	+0.0051
1.9685	2.5591	+0.0122	+0.0075	+0.0150	+0.0075	+0.0193	+0.0075	+0.0084	+0.0055	+0.0102	+0.0055	+0.0120	+0.0055
2.5591	3.1496	+0.0126	+0.0079	+0.0154	+0.0079	+0.0197	+0.0079	+0.0088	+0.0059	+0.0106	+0.0059	+0.0134	+0.0059
3.1496	3.9370	+0.0142	+0.0087	+0.0173	+0.0087	+0.0224	+0.0087	+0.0101	+0.0067	+0.0122	+0.0067	+0.0154	+0.0067
3.9370	4.7244	+0.0150	+0.0094	+0.0181	+0.0094	+0.0232	+0.0094	+0.0105	+0.0071	+0.0126	+0.0071	+0.0157	+0.0071
4.7244	5.5118	+0.0165	+0.0102	+0.0201	+0.0102	+0.0260	+0.0102	+0.0118	+0.0079	+0.0142	+0.0079	+0.0177	+0.0079
5.5118	6.2992	+0.0173	+0.0110	+0.0209	+0.0110	+0.0268	+0.0110	+0.0122	+0.0083	+0.0146	+0.0083	+0.0181	+0.0083
6.2992	7.0866	+0.0185	+0.0122	+0.0220	+0.0122	+0.0280	+0.0122	+0.0130	+0.0091	+0.0154	+0.0091	+0.0189	+0.0091
7.0866	7.8740	+0.0207	+0.0134	+0.0248	+0.0134	+0.0315	+0.0134	+0.0140	+0.0094	+0.0167	+0.0094	+0.0209	+0.0094
7.8740	8.8583	+0.0222	+0.0150	+0.0264	+0.0150	+0.0331	+0.0150	+0.0148	+0.0102	+0.0175	+0.0102	+0.0217	+0.0102
8.8583	9.8425	+0.0238	+0.0165	+0.0280	+0.0165	+0.0346	+0.0165	+0.0156	+0.0110	+0.0183	+0.0110	+0.0224	+0.0110
9.8425	11.0236	+0.0272	+0.0189	+0.0315	+0.0189	+0.0394	+0.0189	+0.0169	+0.0118	+0.0201	+0.0118	+0.0244	+0.0118
11.0236	12.4016	+0.0295	+0.0213	+0.0339	+0.0213	+0.0417	+0.0213	+0.0181	+0.0130	+0.0213	+0.0130	+0.0256	+0.0130
12.4016	13.9764	+0.0327	+0.0236	+0.0378	+0.0236	+0.0461	+0.0236	+0.0197	+0.0142	+0.0232	+0.0142	+0.0283	+0.0142
13.9764	15.7480	+0.0358	+0.0268	+0.0409	+0.0268	+0.0492	+0.0268	+0.0213	+0.0157	+0.0248	+0.0157	+0.0299	+0.0157
15.7480	17.7165	+0.0398	+0.0299	+0.0457	+0.0299	+0.0547	+0.0299	+0.0234	+0.0173	+0.0272	+0.0173	+0.0331	+0.0173
17.7165	19.6850	+0.0429	+0.0331	+0.0488	+0.0331	+0.0579	+0.0331	+0.0250	+0.0189	+0.0287	+0.0189	+0.0346	+0.0189

Diameter in		Deviations in									
>	≤	E9		E10		E11		E12		E13	
		Max.	Min.	Max.	Min.	Max.	Min.	Max.	Min.	Max.	Min.
0.1181	0.2362	+0.0020	+0.0008	+0.0027	+0.0008	+0.0037	+0.0008	+0.0055	+0.0008	+0.0079	+0.0008
0.2362	0.3937	+0.0024	+0.0010	+0.0033	+0.0010	+0.0045	+0.0010	+0.0069	+0.0010	+0.0096	+0.0010
0.3937	0.7087	+0.0030	+0.0013	+0.0040	+0.0013	+0.0056	+0.0013	+0.0083	+0.0013	+0.0119	+0.0013
0.7087	1.1811	+0.0036	+0.0016	+0.0049	+0.0016	+0.0067	+0.0016	+0.0098	+0.0016	+0.0146	+0.0016
1.1811	1.9685	+0.0044	+0.0020	+0.0059	+0.0020	+0.0083	+0.0020	+0.0118	+0.0020	+0.0173	+0.0020
1.9685	3.1496	+0.0053	+0.0024	+0.0071	+0.0024	+0.0098	+0.0024	+0.0142	+0.0024	+0.0205	+0.0024
3.1496	4.7244	+0.0063	+0.0028	+0.0083	+0.0028	+0.0115	+0.0028	+0.0166	+0.0028	+0.0241	+0.0028
4.7244	7.0866	+0.0073	+0.0033	+0.0096	+0.0033	+0.0132	+0.0033	+0.0191	+0.0033	+0.0281	+0.0033
7.0866	9.8425	+0.0085	+0.0039	+0.0112	+0.0039	+0.0154	+0.0039	+0.0220	+0.0039	+0.0323	+0.0039
9.8425	12.4016	+0.0094	+0.0043	+0.0126	+0.0043	+0.0169	+0.0043	+0.0248	+0.0043	+0.0362	+0.0043
12.4016	15.7480	+0.0104	+0.0049	+0.0140	+0.0049	+0.0191	+0.0049	+0.0274	+0.0049	+0.0400	+0.0049
15.7480	19.6850	+0.0114	+0.0053	+0.0152	+0.0053	+0.0211	+0.0053	+0.0301	+0.0053	+0.0435	+0.0053

Diameter in		Deviations in							
>	≤	F5		F6		F7		F8	
		Max.	Min.	Max.	Min.	Max.	Min.	Max.	Min.
0.1181	0.2362	+0.0006	+0.0004	+0.0007	+0.0004	+0.0009	+0.0004	+0.0011	+0.0004
0.2362	0.3937	+0.0007	+0.0005	+0.0009	+0.0005	+0.0011	+0.0005	+0.0014	+0.0005
0.3937	0.7087	+0.0009	+0.0006	+0.0011	+0.0006	+0.0013	+0.0006	+0.0017	+0.0006
0.7087	1.1811	+0.0011	+0.0008	+0.0013	+0.0008	+0.0016	+0.0008	+0.0021	+0.0008
1.1811	1.9685	+0.0014	+0.0010	+0.0016	+0.0010	+0.0020	+0.0010	+0.0025	+0.0010
1.9685	3.1496	+0.0017	+0.0012	+0.0019	+0.0012	+0.0024	+0.0012	+0.0030	+0.0012
3.1496	4.7244	+0.0020	+0.0014	+0.0023	+0.0014	+0.0028	+0.0014	+0.0035	+0.0014
4.7244	7.0866	+0.0024	+0.0017	+0.0027	+0.0017	+0.0033	+0.0017	+0.0042	+0.0017
7.0866	9.8425	+0.0028	+0.0020	+0.0031	+0.0020	+0.0038	+0.0020	+0.0048	+0.0020
9.8425	12.4016	+0.0031	+0.0022	+0.0035	+0.0022	+0.0043	+0.0022	+0.0054	+0.0022
12.4016	15.7480	+0.0034	+0.0024	+0.0039	+0.0024	+0.0047	+0.0024	+0.0059	+0.0024
15.7480	19.6850	+0.0037	+0.0027	+0.0043	+0.0027	+0.0052	+0.0027	+0.0065	+0.0027

ISO Tolerances for Holes – inch							
Diameter in		Deviations in					
>	≤	G5		G6		G7	
		Max.	Min.	Max.	Min.	Max.	Min.
0.1181	0.2362	+0.0004	+0.0002	+0.0005	+0.0002	+0.0006	+0.0002
0.2362	0.3937	+0.0004	+0.0002	+0.0006	+0.0002	+0.0008	+0.0002
0.3937	0.7087	+0.0006	+0.0002	+0.0007	+0.0002	+0.0009	+0.0002
0.7087	1.1811	+0.0006	+0.0003	+0.0008	+0.0003	+0.0011	+0.0003
1.1811	1.9685	+0.0008	+0.0004	+0.0010	+0.0004	+0.0013	+0.0004
1.9685	3.1496	+0.0009	+0.0004	+0.0011	+0.0004	+0.0016	+0.0004
3.1496	4.7244	+0.0011	+0.0005	+0.0013	+0.0005	+0.0019	+0.0005
4.7244	7.0866	+0.0013	+0.0006	+0.0015	+0.0006	+0.0021	+0.0006
7.0866	9.8425	+0.0014	+0.0006	+0.0017	+0.0006	+0.0024	+0.0006
9.8425	12.4016	+0.0016	+0.0007	+0.0019	+0.0007	+0.0027	+0.0007
12.4016	15.7480	+0.0017	+0.0007	+0.0021	+0.0007	+0.0030	+0.0007
15.7480	19.6850	+0.0019	+0.0008	+0.0024	+0.0008	+0.0033	+0.0008

Diameter in		Deviations in									
>	≤	H4		H5		H6		H7		H8	
		Max.	Min.	Max.	Min.	Max.	Min.	Max.	Min.	Max.	Min.
0.1181	0.2362	+0.0002	0	+0.0002	0	+0.0003	0	+0.0005	0	+0.0007	0
0.2362	0.3937	+0.0002	0	+0.0002	0	+0.0004	0	+0.0006	0	+0.0009	0
0.3937	0.7087	+0.0002	0	+0.0003	0	+0.0004	0	+0.0007	0	+0.0011	0
0.7087	1.1811	+0.0002	0	+0.0004	0	+0.0005	0	+0.0008	0	+0.0013	0
1.1811	1.9685	+0.0003	0	+0.0004	0	+0.0006	0	+0.0010	0	+0.0015	0
1.9685	3.1496	+0.0003	0	+0.0005	0	+0.0007	0	+0.0012	0	+0.0018	0
3.1496	4.7244	+0.0004	0	+0.0006	0	+0.0009	0	+0.0014	0	+0.0021	0
4.7244	7.0866	+0.0005	0	+0.0007	0	+0.0010	0	+0.0016	0	+0.0025	0
7.0866	9.8425	+0.0006	0	+0.0008	0	+0.0011	0	+0.0018	0	+0.0028	0
9.8425	12.4016	+0.0006	0	+0.0009	0	+0.0013	0	+0.0020	0	+0.0032	0
12.4016	15.7480	+0.0007	0	+0.0010	0	+0.0014	0	+0.0022	0	+0.0035	0
15.7480	19.6850	+0.0008	0	+0.0011	0	+0.0016	0	+0.0025	0	+0.0038	0

Diameter in		Deviations in							
>	≤	H9		H10		H11		H12	
		Max.	Min.	Max.	Min.	Max.	Min.	Max.	Min.
0.1181	0.2362	+0.0012	0	+0.0019	0	+0.0030	0	+0.0047	0
0.2362	0.3937	+0.0014	0	+0.0023	0	+0.0035	0	+0.0059	0
0.3937	0.7087	+0.0017	0	+0.0028	0	+0.0043	0	+0.0071	0
0.7087	1.1811	+0.0020	0	+0.0033	0	+0.0051	0	+0.0083	0
1.1811	1.9685	+0.0024	0	+0.0039	0	+0.0063	0	+0.0098	0
1.9685	3.1496	+0.0029	0	+0.0047	0	+0.0075	0	+0.0118	0
3.1496	4.7244	+0.0034	0	+0.0055	0	+0.0087	0	+0.0138	0
4.7244	7.0866	+0.0039	0	+0.0063	0	+0.0098	0	+0.0157	0
7.0866	9.8425	+0.0045	0	+0.0073	0	+0.0114	0	+0.0181	0
9.8425	12.4016	+0.0051	0	+0.0083	0	+0.0126	0	+0.0205	0
12.4016	15.7480	+0.0055	0	+0.0091	0	+0.0142	0	+0.0224	0
15.7480	19.6850	+0.0061	0	+0.0098	0	+0.0157	0	+0.0248	0



ISO Tolerances for Holes – inch

Diameter in		Deviations in						Deviations in					
>	≤	J6		J7		J8		K6		K7		K8	
		Max.	Min.	Max.	Min.	Max.	Min.	Max.	Min.	Max.	Min.	Max.	Min.
0.1181	0.2362	+0.00020	-0.00012	+0.00024	-0.00024	+0.00039	-0.00031	+0.00008	-0.00024	+0.00012	-0.00035	+0.00020	-0.00051
0.2362	0.3937	+0.00020	-0.00016	+0.00031	-0.00028	+0.00047	-0.00039	+0.00008	-0.00028	+0.00020	-0.00039	+0.00024	-0.00063
0.3937	0.7087	+0.00024	-0.00020	+0.00039	-0.00031	+0.00059	-0.00047	+0.00008	-0.00035	+0.00024	-0.00047	+0.00031	-0.00075
0.7087	1.1811	+0.00031	-0.00020	+0.00047	-0.00035	+0.00079	-0.00051	+0.00008	-0.00043	+0.00024	-0.00059	+0.00039	-0.00091
1.1811	1.9685	+0.00039	-0.00024	+0.00055	-0.00043	+0.00094	-0.00059	+0.00012	-0.00051	+0.00028	-0.00071	+0.00047	-0.00106
1.9685	3.1496	+0.00051	-0.00024	+0.00071	-0.00047	+0.00110	-0.00071	+0.00016	-0.00059	+0.00035	-0.00083	+0.00055	-0.00126
3.1496	4.7244	+0.00063	-0.00024	+0.00087	-0.00051	+0.00134	-0.00079	+0.00016	-0.00071	+0.00039	-0.00098	+0.00063	-0.00150
4.7244	7.0866	+0.00071	-0.00028	+0.00102	-0.00055	+0.00161	-0.00087	+0.00016	-0.00083	+0.00047	-0.00110	+0.00079	-0.00169
7.0866	9.8425	+0.00087	-0.00028	+0.00118	-0.00063	+0.00185	-0.00098	+0.00020	-0.00094	+0.00051	-0.00130	+0.00087	-0.00197
9.8425	12.4016	+0.00098	-0.00028	+0.00142	-0.00063	+0.00217	-0.00102	+0.00020	-0.00106	+0.00063	-0.00142	+0.00098	-0.00220
12.4016	15.7480	+0.00114	-0.00028	+0.00154	-0.00071	+0.00236	-0.00114	+0.00028	-0.00114	+0.00067	-0.00157	+0.00110	-0.00240
15.7480	19.6850	+0.00130	-0.00028	+0.00169	-0.00079	+0.00259	-0.00122	+0.00031	-0.00126	+0.00071	-0.00177	+0.00114	-0.00268

Diameter in		Deviations in						Deviations in					
>	≤	M5		M6		M7		N6		N7		N8	
		Max.	Min.	Max.	Min.	Max.	Min.	Max.	Min.	Max.	Min.	Max.	Min.
0.1181	0.2362	-0.00012	-0.00031	-0.00004	-0.00035	0	-0.00047	-0.0002	-0.0005	-0.0002	-0.0006	-0.0001	-0.0008
0.2362	0.3937	-0.00016	-0.00039	-0.00012	-0.00047	0	-0.00059	-0.0003	-0.0006	-0.0002	-0.0007	-0.0001	-0.0010
0.3937	0.7087	-0.00016	-0.00047	-0.00016	-0.00059	0	-0.00071	-0.0004	-0.0008	-0.0002	-0.0009	-0.0001	-0.0012
0.7087	1.1811	-0.00020	-0.00055	-0.00016	-0.00067	0	-0.00083	-0.0004	-0.0009	-0.0003	-0.0011	-0.0001	-0.0014
1.1811	1.9685	-0.00020	-0.00063	-0.00016	-0.00079	0	-0.00098	-0.0005	-0.0011	-0.0003	-0.0013	-0.0001	-0.0017
1.9685	3.1496	-0.00024	-0.00075	-0.00020	-0.00094	0	-0.00118	-0.0006	-0.0013	-0.0004	-0.0015	-0.0002	-0.0020
3.1496	4.7244	-0.00031	-0.00091	-0.00024	-0.00110	0	-0.00138	-0.0006	-0.0015	-0.0004	-0.0018	-0.0002	-0.0023
4.7244	7.0866	-0.00035	-0.00106	-0.00031	-0.00130	0	-0.00157	-0.0008	-0.0018	-0.0005	-0.0020	-0.0002	-0.0026
7.0866	9.8425	-0.00043	-0.00122	-0.00031	-0.00146	0	-0.00181	-0.0009	-0.0020	-0.0006	-0.0024	-0.0002	-0.0030
9.8425	12.4016	-0.00051	-0.00142	-0.00035	-0.00161	0	-0.00205	-0.0009	-0.0022	-0.0006	-0.0026	-0.0002	-0.0034
12.4016	15.7480	-0.00055	-0.00154	-0.00039	-0.00181	0	-0.00224	-0.0010	-0.0024	-0.0006	-0.0029	-0.0002	-0.0037
15.7480	19.6850	-0.00063	-0.00169	-0.00039	-0.00197	0	-0.00248	-0.0011	-0.0026	-0.0007	-0.0031	-0.0002	-0.0041

Diameter in		Deviations in				Deviations in					
>	≤	P6		P7		R6		R7		R8	
		Max.	Min.	Max.	Min.	Max.	Min.	Max.	Min.	Max.	Min.
0.1181	0.2362	-0.0004	-0.0007	-0.0003	-0.0008	-0.0005	-0.0008	-0.0004	-0.0009	-0.0006	-0.0013
0.2362	0.3937	-0.0005	-0.0008	-0.0004	-0.0009	-0.0006	-0.0010	-0.0005	-0.0011	-0.0007	-0.0016
0.3937	0.7087	-0.0006	-0.0010	-0.0004	-0.0011	-0.0008	-0.0012	-0.0006	-0.0013	-0.0009	-0.0020
0.7087	1.1811	-0.0007	-0.0012	-0.0006	-0.0014	-0.0009	-0.0015	-0.0008	-0.0016	-0.0011	-0.0024
1.1811	1.9685	-0.0008	-0.0015	-0.0007	-0.0017	-0.0011	-0.0018	-0.0010	-0.0020	-0.0013	-0.0029
1.9685	2.5591	-0.0010	-0.0018	-0.0008	-0.0020	-0.0014	-0.0021	-0.0012	-0.0024	-0.0016	-0.0034
2.5591	3.1496	-0.0010	-0.0018	-0.0008	-0.0020	-0.0015	-0.0022	-0.0013	-0.0024	-0.0017	-0.0035
3.1496	3.9370	-0.0012	-0.0020	-0.0009	-0.0023	-0.0017	-0.0026	-0.0015	-0.0029	-0.0020	-0.0041
3.9370	4.7244	-0.0012	-0.0020	-0.0009	-0.0023	-0.0019	-0.0027	-0.0016	-0.0030	-0.0021	-0.0043
4.7244	5.5118	-0.0014	-0.0024	-0.0011	-0.0027	-0.0022	-0.0032	-0.0019	-0.0035	-0.0025	-0.0050
5.5118	6.2992	-0.0014	-0.0024	-0.0011	-0.0027	-0.0023	-0.0033	-0.0020	-0.0035	-0.0026	-0.0050
6.2992	7.0866	-0.0014	-0.0024	-0.0011	-0.0027	0.0024	-0.0034	-0.0021	-0.0037	-0.0027	-0.0052
7.0866	7.8740	-0.0016	-0.0028	-0.0013	-0.0031	-0.0027	-0.0038	-0.0024	-0.0042	-0.0030	-0.0059
7.8740	8.8583	-0.0016	-0.0028	-0.0013	-0.0031	0.0028	-0.0039	-0.0025	-0.0043	-0.0031	-0.0060
8.8583	9.8425	-0.0016	-0.0028	-0.0013	-0.0031	-0.0030	-0.0041	-0.0026	-0.0044	-0.0033	-0.0061
9.8425	11.0236	-0.0019	-0.0031	-0.0014	-0.0035	-0.0033	-0.0046	-0.0029	-0.0050	-0.0037	-0.0069
11.0236	12.4016	-0.0019	-0.0031	-0.0014	-0.0035	-0.0035	-0.0048	-0.0031	-0.0051	-0.0039	-0.0070
12.4016	13.9764	-0.0020	-0.0034	-0.0016	-0.0039	-0.0038	-0.0052	-0.0034	-0.0057	-0.0043	-0.0078
13.9764	15.7480	-0.0020	-0.0034	-0.0016	-0.0039	-0.0041	-0.0055	-0.0037	-0.0059	-0.0045	-0.0080
15.7480	17.7165	-0.0022	-0.0037	-0.0018	-0.0043	-0.0044	-0.0060	-0.0041	-0.0065	-0.0050	-0.0088
17.7165	19.6850	-0.0022	-0.0037	-0.0018	-0.0043	-0.0047	-0.0063	-0.0043	-0.0068	-0.0052	-0.0090

ISO Tolerances for Shafts – inch									
Diameter in		Deviations in							
>	≤	a10		a11		a12		a13	
		Max.	Min.	Max.	Min.	Max.	Min.	Max.	Min.
—	0.1181	-0.0106	-0.0122	-0.0106	-0.0130	-0.0106	-0.0146	-0.0106	-0.0161
0.1181	0.2362	-0.0106	-0.0125	-0.0106	-0.0136	-0.0106	-0.0154	-0.0106	-0.0177
0.2362	0.3937	-0.0110	-0.0133	-0.0110	-0.0146	-0.0110	-0.0169	-0.0110	-0.0197
0.3937	0.7087	-0.0114	-0.0142	-0.0114	-0.0157	-0.0114	-0.0185	-0.0114	-0.0220
0.7087	1.1811	-0.0118	-0.0151	-0.0118	-0.0169	-0.0118	-0.0201	-0.0118	-0.0248
1.1811	1.5748	-0.0122	-0.0161	-0.0122	-0.0185	-0.0122	-0.0220	-0.0122	-0.0276
1.5748	1.9685	-0.0126	-0.0165	-0.0126	-0.0189	-0.0126	-0.0224	-0.0126	-0.0280
1.9685	2.5591	-0.0134	-0.0181	-0.0134	-0.0209	-0.0134	-0.0252	-0.0134	-0.0315
2.5591	3.1496	-0.0142	-0.0189	-0.0142	-0.0217	-0.0142	-0.0260	-0.0142	-0.0323
3.1496	3.9370	-0.0150	-0.0205	-0.0150	-0.0236	-0.0150	-0.0287	-0.0150	-0.0362
3.9370	4.7244	-0.0161	-0.0217	-0.0161	-0.0248	-0.0161	-0.0299	-0.0161	-0.0374
4.7244	5.5118	-0.0181	-0.0244	-0.0181	-0.0280	-0.0181	-0.0339	-0.0181	-0.0429
5.5118	6.2992	-0.0205	-0.0268	-0.0205	-0.0303	-0.0205	-0.0362	-0.0205	-0.0453
6.2992	7.0866	-0.0228	-0.0291	-0.0228	-0.0327	-0.0228	-0.0386	-0.0228	-0.0476
7.0866	7.8740	-0.0260	-0.0333	-0.0260	-0.0374	-0.0260	-0.0441	-0.0260	-0.0543
7.8740	8.8583	-0.0291	-0.0364	-0.0291	-0.0406	-0.0291	-0.0472	-0.0291	-0.0575
8.8583	9.8425	-0.0323	-0.0396	-0.0323	-0.0437	-0.0323	-0.0504	-0.0323	-0.0606
9.8425	11.0236	-0.0362	-0.0445	-0.0362	-0.0488	-0.0362	-0.0567	-0.0362	-0.0681
11.0236	12.4016	-0.0413	-0.0496	-0.0413	-0.0539	-0.0413	-0.0618	-0.0413	-0.0732
12.4016	13.9764	-0.0472	-0.0563	-0.0472	-0.0614	-0.0472	-0.0697	-0.0472	-0.0823
13.9764	15.7480	-0.0531	-0.0622	-0.0531	-0.0673	-0.0531	-0.0756	-0.0531	-0.0882

Diameter in		Deviations in						Deviations in					
>	≤	c11		c12		c13		e11		e12		e13	
		Max.	Min.	Max.	Min.	Max.	Min.	Max.	Min.	Max.	Min.	Max.	Min.
—	0.1181	-0.0024	-0.0047	-0.0024	-0.0063	-0.0024	-0.0079	-0.0006	-0.0029	-0.0006	-0.0045	-0.0006	-0.0061
0.1181	0.2362	-0.0028	-0.0057	-0.0028	-0.0075	-0.0028	-0.0098	-0.0008	-0.0037	-0.0008	-0.0055	-0.0008	-0.0079
0.2362	0.3937	-0.0031	-0.0067	-0.0031	-0.0091	-0.0031	-0.0118	-0.0010	-0.0045	-0.0010	-0.0069	-0.0010	-0.0096
0.3937	0.7087	-0.0037	-0.0081	-0.0037	-0.0108	-0.0037	-0.0144	-0.0013	-0.0056	-0.0013	-0.0083	-0.0013	-0.0119
0.7087	1.1811	-0.0043	-0.0094	-0.0043	-0.0126	-0.0043	-0.0173	-0.0016	-0.0067	-0.0016	-0.0098	-0.0016	-0.0146
1.1811	1.5748	-0.0047	-0.0110	-0.0047	-0.0146	-0.0047	-0.0201	-0.0020	-0.0083	-0.0020	-0.0118	-0.0020	-0.0173
1.5748	1.9685	-0.0051	-0.0114	-0.0051	-0.0150	-0.0051	-0.0205	-0.0020	-0.0083	-0.0020	-0.0118	-0.0020	-0.0173
1.9685	2.5591	-0.0055	-0.0130	-0.0055	-0.0173	-0.0055	-0.0236	-0.0024	-0.0098	-0.0024	-0.0142	-0.0024	-0.0205
2.5591	3.1496	-0.0059	-0.0134	-0.0059	-0.0177	-0.0059	-0.0240	-0.0024	-0.0098	-0.0024	-0.0142	-0.0024	-0.0205
3.1496	3.9370	-0.0067	-0.0154	-0.0067	-0.0205	-0.0067	-0.0280	-0.0028	-0.0115	-0.0028	-0.0166	-0.0028	-0.0241
3.9370	4.7244	-0.0071	-0.0157	-0.0071	-0.0209	-0.0071	-0.0283	-0.0028	-0.0115	-0.0028	-0.0166	-0.0028	-0.0241
4.7244	5.5118	-0.0079	-0.0177	-0.0079	-0.0236	-0.0079	-0.0327	-0.0033	-0.0132	-0.0033	-0.0191	-0.0033	-0.0281
5.5118	6.2992	-0.0083	-0.0181	-0.0083	-0.0240	-0.0083	-0.0331	-0.0033	-0.0132	-0.0033	-0.0191	-0.0033	-0.0281
6.2992	7.0866	-0.0091	-0.0189	-0.0091	-0.0248	-0.0091	-0.0339	-0.0033	-0.0132	-0.0033	-0.0191	-0.0033	-0.0281
7.0866	7.8740	-0.0094	-0.0209	-0.0094	-0.0276	-0.0094	-0.0378	-0.0039	-0.0154	-0.0039	-0.0220	-0.0039	-0.0323
7.8740	8.8583	-0.0102	-0.0217	-0.0102	-0.0283	-0.0102	-0.0386	-0.0039	-0.0154	-0.0039	-0.0220	-0.0039	-0.0323
8.8583	9.8425	-0.0110	-0.0224	-0.0110	-0.0291	-0.0110	-0.0394	-0.0039	-0.0154	-0.0039	-0.0220	-0.0039	-0.0323
9.8425	11.0236	-0.0118	-0.0244	-0.0118	-0.0323	-0.0118	-0.0437	-0.0043	-0.0169	-0.0043	-0.0248	-0.0043	-0.0362
11.0236	12.4016	-0.0130	-0.0256	-0.0130	-0.0335	-0.0130	-0.0449	-0.0043	-0.0169	-0.0043	-0.0248	-0.0043	-0.0362
12.4016	13.9764	-0.0142	-0.0283	-0.0142	-0.0366	-0.0142	-0.0492	-0.0049	-0.0191	-0.0049	-0.0274	-0.0049	-0.0400
13.9764	15.7480	-0.0157	-0.0299	-0.0157	-0.0382	-0.0157	-0.0508	-0.0049	-0.0191	-0.0049	-0.0274	-0.0049	-0.0400





ISO Tolerances for Shafts – inch

Diameter in		Deviations in						Deviations in					
>	≤	f5		f6		f7		g5		g6		g7	
		Max.	Min.	Max.	Min.	Max.	Min.	Max.	Min.	Max.	Min.	Max.	Min.
—	0.1181	-0.0002	-0.0004	-0.0002	-0.0005	-0.0002	-0.0006	-0.0001	-0.0002	-0.0001	-0.0003	-0.0001	-0.0005
0.1181	0.2362	-0.0004	-0.0006	-0.0004	-0.0007	-0.0004	-0.0009	-0.0002	-0.0004	-0.0002	-0.0005	-0.0002	-0.0006
0.2362	0.3937	-0.0005	-0.0007	-0.0005	-0.0009	-0.0005	-0.0011	-0.0002	-0.0004	-0.0002	-0.0006	-0.0002	-0.0008
0.3937	0.7087	-0.0006	-0.0009	-0.0006	-0.0011	-0.0006	-0.0013	-0.0002	-0.0006	-0.0002	-0.0007	-0.0002	-0.0009
0.7087	1.1811	-0.0008	-0.0011	-0.0008	-0.0013	-0.0008	-0.0016	-0.0003	-0.0006	-0.0003	-0.0008	-0.0003	-0.0011
1.1811	1.9685	-0.0010	-0.0014	-0.0010	-0.0016	-0.0010	-0.0020	-0.0004	-0.0008	-0.0004	-0.0010	-0.0004	-0.0013
1.9685	3.1496	-0.0012	-0.0017	-0.0012	-0.0019	-0.0012	-0.0024	-0.0004	-0.0009	-0.0004	-0.0011	-0.0004	-0.0016
3.1496	4.7244	-0.0014	-0.0020	-0.0014	-0.0023	-0.0014	-0.0028	-0.0005	-0.0011	-0.0005	-0.0013	-0.0005	-0.0019
4.7244	7.0866	-0.0017	-0.0024	-0.0017	-0.0027	-0.0017	-0.0033	-0.0006	-0.0013	-0.0006	-0.0015	-0.0006	-0.0021
7.0866	9.8425	-0.0020	-0.0028	-0.0020	-0.0031	-0.0020	-0.0038	-0.0006	-0.0014	-0.0006	-0.0017	-0.0006	-0.0024
9.8425	12.4016	-0.0022	-0.0031	-0.0022	-0.0035	-0.0022	-0.0043	-0.0007	-0.0016	-0.0007	-0.0019	-0.0007	-0.0027
12.4016	15.7480	-0.0024	-0.0034	-0.0024	-0.0039	-0.0024	-0.0047	-0.0007	-0.0017	-0.0007	-0.0021	-0.0007	-0.0030

Diameter in		Deviations in									
>	≤	h4		h5		h6		h7		h8	
		Max.	Min.	Max.	Min.	Max.	Min.	Max.	Min.	Max.	Min.
—	0.1181	0	-0.00012	0	-0.00016	0	-0.00024	0	-0.0004	0	-0.0006
0.1181	0.2362	0	-0.00016	0	-0.00020	0	-0.00031	0	-0.0005	0	-0.0007
0.2362	0.3937	0	-0.0002	0	-0.00024	0	-0.0004	0	-0.0006	0	-0.0009
0.3937	0.7087	0	-0.0002	0	-0.00031	0	-0.0004	0	-0.0007	0	-0.0011
0.7087	1.1811	0	-0.0002	0	-0.0004	0	-0.0005	0	-0.0008	0	-0.0013
1.1811	1.9685	0	-0.0003	0	-0.0004	0	-0.0006	0	-0.0010	0	-0.0015
1.9685	3.1496	0	-0.0003	0	-0.0005	0	-0.0007	0	-0.0012	0	-0.0018
3.1496	4.7244	0	-0.0004	0	-0.0006	0	-0.0009	0	-0.0014	0	-0.0021
4.7244	7.0866	0	-0.0005	0	-0.0007	0	-0.0010	0	-0.0016	0	-0.0025
7.0866	9.8425	0	-0.0006	0	-0.0008	0	-0.0011	0	-0.0018	0	-0.0028
9.8425	12.4016	0	-0.0006	0	-0.0009	0	-0.0013	0	-0.0020	0	-0.0032
12.4016	15.7480	0	-0.0007	0	-0.0010	0	-0.0014	0	-0.0022	0	-0.0035

Diameter in		Deviations in									
>	≤	h9		h10		h11		h12		h13	
		Max.	Min.	Max.	Min.	Max.	Min.	Max.	Min.	Max.	Min.
—	0.1181	0	-0.0010	0	-0.0016	0	-0.0024	0	-0.0039	0	-0.0055
0.1181	0.2362	0	-0.0012	0	-0.0019	0	-0.0030	0	-0.0047	0	-0.0071
0.2362	0.3937	0	-0.0014	0	-0.0023	0	-0.0035	0	-0.0059	0	-0.0087
0.3937	0.7087	0	-0.0017	0	-0.0028	0	-0.0043	0	-0.0071	0	-0.0106
0.7087	1.1811	0	-0.0020	0	-0.0033	0	-0.0051	0	-0.0083	0	-0.0130
1.1811	1.9685	0	-0.0024	0	-0.0039	0	-0.0063	0	-0.0098	0	-0.0154
1.9685	3.1496	0	-0.0029	0	-0.0047	0	-0.0075	0	-0.0118	0	-0.0181
3.1496	4.7244	0	-0.0034	0	-0.0055	0	-0.0087	0	-0.0138	0	-0.0213
4.7244	7.0866	0	-0.0039	0	-0.0063	0	-0.0098	0	-0.0157	0	-0.0248
7.0866	9.8425	0	-0.0045	0	-0.0073	0	-0.0114	0	-0.0181	0	-0.0283
9.8425	12.4016	0	-0.0051	0	-0.0083	0	-0.0126	0	-0.0205	0	-0.0319
12.4016	15.7480	0	-0.0055	0	-0.0091	0	-0.0142	0	-0.0224	0	-0.0350

ISO Tolerances for Shafts – inch

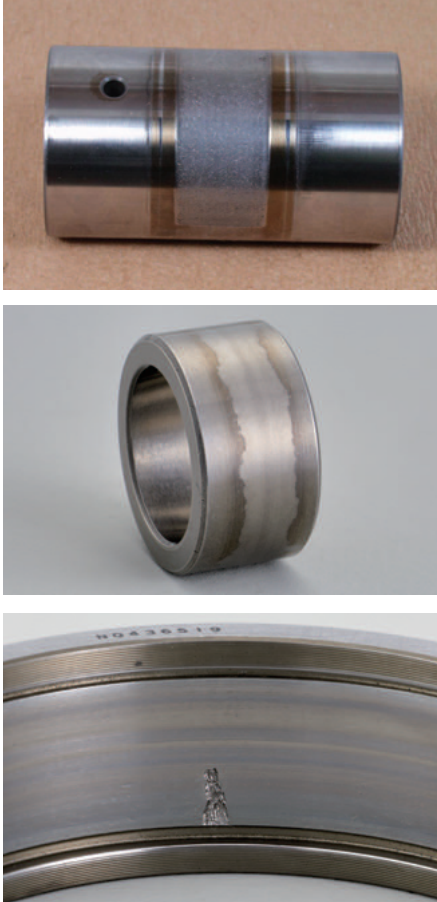
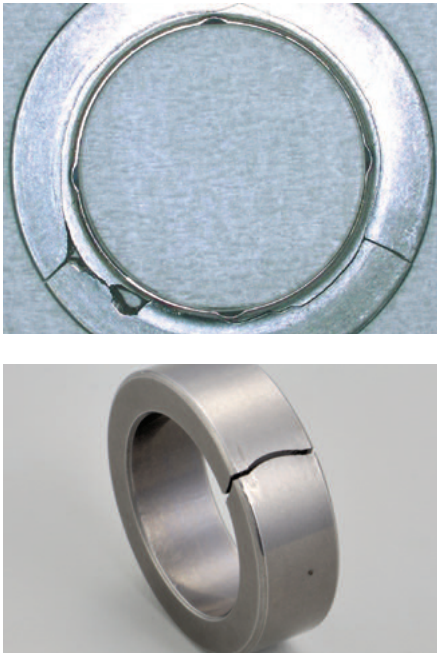
Diameter in		Deviations in						Deviations in					
>	≤	j5		j6		j7		k5		k6		k7	
		Max.	Min.	Max.	Min.	Max.	Min.	Max.	Min.	Max.	Min.	Max.	Min.
—	0.1181	+0.00008	-0.00008	+0.00016	-0.00008	+0.00024	-0.00016	+0.00016	0	+0.00024	0	+0.00039	0
0.1181	0.2362	+0.00012	-0.00008	+0.00024	-0.00008	+0.00031	-0.00016	+0.00024	+0.00004	+0.00035	+0.00004	+0.00051	+0.00004
0.2362	0.3937	+0.00016	-0.00008	+0.00028	-0.00008	+0.00039	-0.00020	+0.00028	+0.00004	+0.00039	+0.00004	+0.00063	+0.00004
0.3937	0.7087	+0.00020	-0.00012	+0.00031	-0.00012	+0.00047	-0.00024	+0.00035	+0.00004	+0.00047	+0.00004	+0.00075	+0.00004
0.7087	1.1811	+0.00020	-0.00016	+0.00035	-0.00016	+0.00051	-0.00031	+0.00043	+0.00008	+0.00059	+0.00008	+0.00091	+0.00008
1.1811	1.9685	+0.00024	-0.00020	+0.00043	-0.00020	+0.00059	-0.00039	+0.00051	+0.00008	+0.00071	+0.00008	+0.00106	+0.00008
1.9685	3.1496	+0.00024	-0.00028	+0.00047	-0.00028	+0.00071	-0.00047	+0.00059	+0.00008	+0.00083	+0.00008	+0.00126	+0.00008
3.1496	4.7244	+0.00024	-0.00035	+0.00051	-0.00035	+0.00079	-0.00059	+0.00071	+0.00012	+0.00098	+0.00012	+0.00150	+0.00012
4.7244	7.0866	+0.00028	-0.00043	+0.00055	-0.00043	+0.00087	-0.00071	+0.00083	+0.00012	+0.00110	+0.00012	+0.00169	+0.00012
7.0866	9.8425	+0.00028	-0.00051	+0.00063	-0.00051	+0.00098	-0.00083	+0.00094	+0.00016	+0.00130	+0.00016	+0.00197	+0.00016
9.8425	12.4016	+0.00028	-0.00063	+0.00063	-0.00063	+0.00102	-0.00102	+0.00106	+0.00016	+0.00142	+0.00016	+0.00220	+0.00016
12.4016	15.7480	+0.00028	-0.00071	+0.00071	-0.00071	+0.00114	-0.00110	+0.00114	+0.00016	+0.00157	+0.00016	+0.00240	+0.00016

Diameter in		Deviations in						Deviations in					
>	≤	m5		m6		m7		n5		n6		n7	
		Max.	Min.	Max.	Min.	Max.	Min.	Max.	Min.	Max.	Min.	Max.	Min.
—	0.1181	+0.00024	+0.00008	+0.00031	+0.00008	+0.00047	+0.00008	+0.0003	+0.0002	+0.0004	+0.0002	+0.0006	+0.0002
0.1181	0.2362	+0.00035	+0.00016	+0.00047	+0.00016	+0.00063	+0.00016	+0.0005	+0.0003	+0.0006	+0.0003	+0.0008	+0.0003
0.2362	0.3937	+0.00047	+0.00024	+0.00059	+0.00024	+0.00083	+0.00024	+0.0006	+0.0004	+0.0007	+0.0004	+0.0010	+0.0004
0.3937	0.7087	+0.00059	+0.00028	+0.00071	+0.00028	+0.00098	+0.00028	+0.0008	+0.0005	+0.0009	+0.0005	+0.0012	+0.0005
0.7087	1.1811	+0.00067	+0.00031	+0.00083	+0.00031	+0.00114	+0.00031	+0.0009	+0.0006	+0.0011	+0.0006	+0.0014	+0.0006
1.1811	1.9685	+0.00079	+0.00035	+0.00098	+0.00035	+0.00134	+0.00035	+0.0011	+0.0007	+0.0013	+0.0007	+0.0017	+0.0007
1.9685	3.1496	+0.00094	+0.00043	+0.00118	+0.00043	+0.00161	+0.00043	+0.0013	+0.0008	+0.0015	+0.0008	+0.0020	+0.0008
3.1496	4.7244	+0.00110	+0.00051	+0.00138	+0.00051	+0.00189	+0.00051	+0.0015	+0.0009	+0.0018	+0.0009	+0.0023	+0.0009
4.7244	7.0866	+0.00130	+0.00059	+0.00157	+0.00059	+0.00217	+0.00059	+0.0018	+0.0011	+0.0020	+0.0011	+0.0026	+0.0011
7.0866	9.8425	+0.00146	+0.00067	+0.00181	+0.00067	+0.00248	+0.00067	+0.0020	+0.0012	+0.0024	+0.0012	+0.0030	+0.0012
9.8425	12.4016	+0.00169	+0.00079	+0.00205	+0.00079	+0.00283	+0.00079	+0.0022	+0.0013	+0.0026	+0.0013	+0.0034	+0.0013
12.4016	15.7480	+0.00181	+0.00083	+0.00224	+0.00083	+0.00307	+0.00083	+0.0024	+0.0015	+0.0029	+0.0015	+0.0037	+0.0015



Diameter in		Deviations in					
>	≤	p6		r6		r7	
		Max.	Min.	Max.	Min.	Max.	Min.
3.1496	3.9370	+0.0023	+0.0015	-	-	-	-
3.9370	4.7244	+0.0023	+0.0015	-	-	-	-
4.7244	5.5118	+0.0027	+0.0017	+0.0035	+0.0026	-	-
5.5118	6.2992	+0.0027	+0.0017	+0.0035	+0.0026	-	-
6.2992	7.0866	+0.0027	+0.0017	+0.0035	+0.0026	-	-
7.0866	7.8740	+0.0031	+0.0020	+0.0042	+0.0030	-	-
7.8740	8.8583	+0.0031	+0.0020	+0.0043	+0.0031	+0.0050	+0.0031
8.8583	9.8425	+0.0031	+0.0020	+0.0044	+0.0033	+0.0051	+0.0033
9.8425	11.0236	+0.0035	+0.0022	+0.0050	+0.0037	+0.0057	+0.0037
11.0236	12.4016	+0.0035	+0.0022	+0.0051	+0.0039	+0.0059	+0.0039
12.4016	13.9764	+0.0039	+0.0024	+0.0057	+0.0043	+0.0065	+0.0043
13.9764	15.7480	+0.0039	+0.0024	+0.0059	+0.0045	+0.0067	+0.0045
15.7480	17.7165	+0.0043	+0.0027	+0.0065	+0.0050	+0.0074	+0.0050
17.7165	19.6850	+0.0043	+0.0027	+0.0068	+0.0052	+0.0077	+0.0052

EXAMPLES OF BEARING FAILURES



A

Failures	Characteristics
<p>(1) Flaking</p>	 <p>Flaking is a phenomenon that material is removed in flakes from a surface layer of the bearing raceways or rolling elements due to rolling fatigue. This phenomenon is generally attributed to the approaching end of bearing service life. However, if flaking occurs at early stages of bearing service life, it is necessary to determine causes and adopt countermeasures, since there is a possibility of abnormality in this case.</p> <p>Pitting</p> <p>Pitting is another type of failure caused by rolling fatigue, in which minute holes of approx. 0.1 mm in depth are generated on the raceway surface.</p> <p>Peeling (shown in middle figure)</p> <p>Peeling is a phenomenon in which the lubricant film separation is insufficient for complete surface separation (0.02 mm or less) of the rolling surfaces causing fatigue and peeling due to concentrated stress acting on microscopic peaks of surface roughness.</p>
<p>(2) Cracking Chipping</p>	 <p>Cracking is mainly triggered by debris initiated defects due to wear of other system components, partial shape defects, and concentrated stress and overload caused by edge load. It may occur on bearing rings due to fatigue caused by repeated bend stress.</p>

Damages	Causes	Countermeasures
Flaking occurring at an incipient stage	<ul style="list-style-type: none"> <li>· Too small internal clearance</li> <li>· Improper or insufficient lubricant</li> <li>· Load too high</li> <li>· Rust</li> </ul>	<ul style="list-style-type: none"> <li>· Provide proper internal clearance.</li> <li>· Select proper lubricating method or lubricant.</li> </ul>
Symmetrical flaking along circumference of raceway	<ul style="list-style-type: none"> <li>· Inaccurate housing roundness</li> </ul>	<ul style="list-style-type: none"> <li>· Correct processing accuracy of housing bore. Especially for split housings, care should be taken to ensure processing accuracy.</li> </ul>
Flaking occurring near the edge of the raceway or rolling contact surface	<ul style="list-style-type: none"> <li>· Improper mounting</li> <li>· Shaft deflection</li> <li>· Inaccuracy of the shaft and housing</li> </ul>	<ul style="list-style-type: none"> <li>· Correct centering.</li> <li>· Correct squareness of shaft or housing shoulder.</li> </ul>
Flaking on the raceway surface at the same interval as rolling element spacing	<ul style="list-style-type: none"> <li>· Heavy impact load during mounting</li> <li>· A flaw caused during mounting</li> <li>· Rust generated while out of operation</li> </ul>	<ul style="list-style-type: none"> <li>· Improve mounting procedure.</li> <li>· Provide rust prevention treatment before long cessation of operation.</li> </ul>
Cracking in outer ring, inner ring or race	<ul style="list-style-type: none"> <li>· Excessive interference</li> <li>· Excessive fillet on shaft or housing</li> <li>· Heavy impact load</li> <li>· Advanced flaking or seizure</li> <li>· Impact on race during mounting</li> </ul>	<ul style="list-style-type: none"> <li>· Select proper fit.</li> <li>· Adjust fillet in the shaft or in the housing to smaller than that of the bearing chamfer dimension.</li> <li>· Re-examine load conditions.</li> <li>· Improve mounting procedures.</li> </ul>
Cracking on rolling elements	<ul style="list-style-type: none"> <li>· Heavy impact load</li> <li>· Advanced flaking</li> </ul>	<ul style="list-style-type: none"> <li>· Improve mounting and handling procedures.</li> <li>· Re-examine load conditions.</li> </ul>

Failures	Characteristics	
(3) Brinelling Nicks	<ul style="list-style-type: none"> <li>· Brinelling is a small surface indentation generated either on the raceway through plastic deformation at the contact point between the raceway and rolling elements, or on the rolling surfaces from insertion of foreign matter, when heavy load is applied while the bearing is stationary or rotating at a low rotation speed.</li> <li>· Nicks are indentations produced directly by rough handling such as hammering.</li> </ul>	
(4) Wear		<p>Normally, wear of bearing is observed on sliding contact surfaces such as roller end faces and rib faces, cage pockets, the guide surface of cages and cage riding lands.</p> <p>Wear is not directly related to material fatigue.</p> <p>Wear caused by foreign matter and corrosion can affect not only sliding surfaces but rolling surfaces.</p>
(5) Fretting		<p>Fretting occurs to bearings which are subject to vibration while in stationary condition or which are exposed to minute vibrations. It is characterized by rust-colored wear particles.</p> <p>Since fretting on the raceways often appears similar to brinelling, it is sometimes called "false brinelling".</p>
(6) Creeping	<p>Creeping is a phenomenon in which bearing rings move relative to the shaft or housing during operation.</p>	

Damages	Causes	Countermeasures
Brinelling on the raceway or rolling contact surface	· Entry of foreign matter	· Clean bearing and its peripheral parts. · Improve sealing devices.
Brinelling on the raceway surface at the same interval as the rolling element spacing	· Impact load during mounting · Excessive load applied while bearing is stationary	· Improve mounting procedure. · Improve machine handling.
Nicks on the raceway or rolling contact surface	· Careless handling	· Improve mounting and handling procedure.
Wear on the contact surfaces (cage pockets, cage riding land)	· Improper or insufficient lubricant	· Select proper lubricating method or lubricant. · Improve sealing device. · Clean the bearing and its peripheral parts.
Wear on raceways and rolling contact surfaces	· Entry of foreign matter · Improper or insufficient lubricant	
Rust-colored wear particles generated on the fitting surface (fretting corrosion)	· Insufficient interference	· Provide greater interference. · Apply lubricant to the fitting surface.
Brinelling on the raceway surface at the same interval as rolling element spacing (false brinelling)	· Vibration and oscillation when bearings are stationary.	· Improve fixing method of the shaft and housing.
Wear, discoloration, and scuffing caused by slipping on the fitting surfaces	· Insufficient interference · Insufficient tightening of sleeve	· Provide greater interference. · Proper tightening of sleeve.

Failures	Characteristics
<p>(7) Damage to Cages</p>	 <p>Since cages are made of low hardness materials, external pressure and contact with other parts can easily produce flaws and distortion. In some cases, these are aggravated and become chips and cracks. Large chips and cracks are often accompanied by deformation, which may reduce the accuracy of the cage itself and may hinder the smooth movement of rolling elements.</p>
<p>(8) Seizing</p>	 <p>A phenomenon caused by abnormal heating in bearings due to various reasons</p>

Damages	Causes	Countermeasures
<p>Flaws, distortion, chipping, cracking and excessive wear in cages.</p>	<ul style="list-style-type: none"> <li>· Extraordinary vibration, impact, moment</li> <li>· Improper or insufficient lubricant</li> <li>· Dents made during mounting</li> </ul>	<ul style="list-style-type: none"> <li>· Re-examine load conditions.</li> <li>· Select proper lubricating method or lubricant.</li> <li>· Re-examine cage types.</li> <li>· Improve mounting.</li> </ul>
<p>Discoloration, distortion, and melting together due to heating in bearings</p>	<ul style="list-style-type: none"> <li>· Too small internal clearance</li> <li>· Improper or insufficient lubricant</li> <li>· Excessive load</li> <li>· Aggravated by other bearing flaws</li> </ul>	<ul style="list-style-type: none"> <li>· Provide proper internal clearance.</li> <li>· Select proper lubricating method or lubricant.</li> <li>· Re-examine bearing type.</li> <li>· Earlier discovery of bearing flaws</li> </ul>





**NOTES**



# NEEDLE ROLLER BEARINGS

# B

B

## **B** NEEDLE ROLLER BEARINGS

<i>Radial Needle Roller and Cage Assemblies</i> .....	B-1-1
<i>Drawn Cup Needle Roller Bearings</i> .....	B-2-1
<i>Drawn Cup Roller Clutches</i> .....	B-3-1
<i>Heavy-Duty Needle Roller Bearings</i> .....	B-4-1
<i>Track Rollers</i> .....	B-5-1
<i>Thrust Bearings, Assemblies, Washers</i> .....	B-6-1
<i>Combined Needle Roller Bearings</i> .....	B-7-1
<i>Needle Rollers, Accessories</i> .....	B-8-1

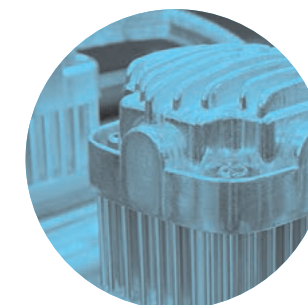
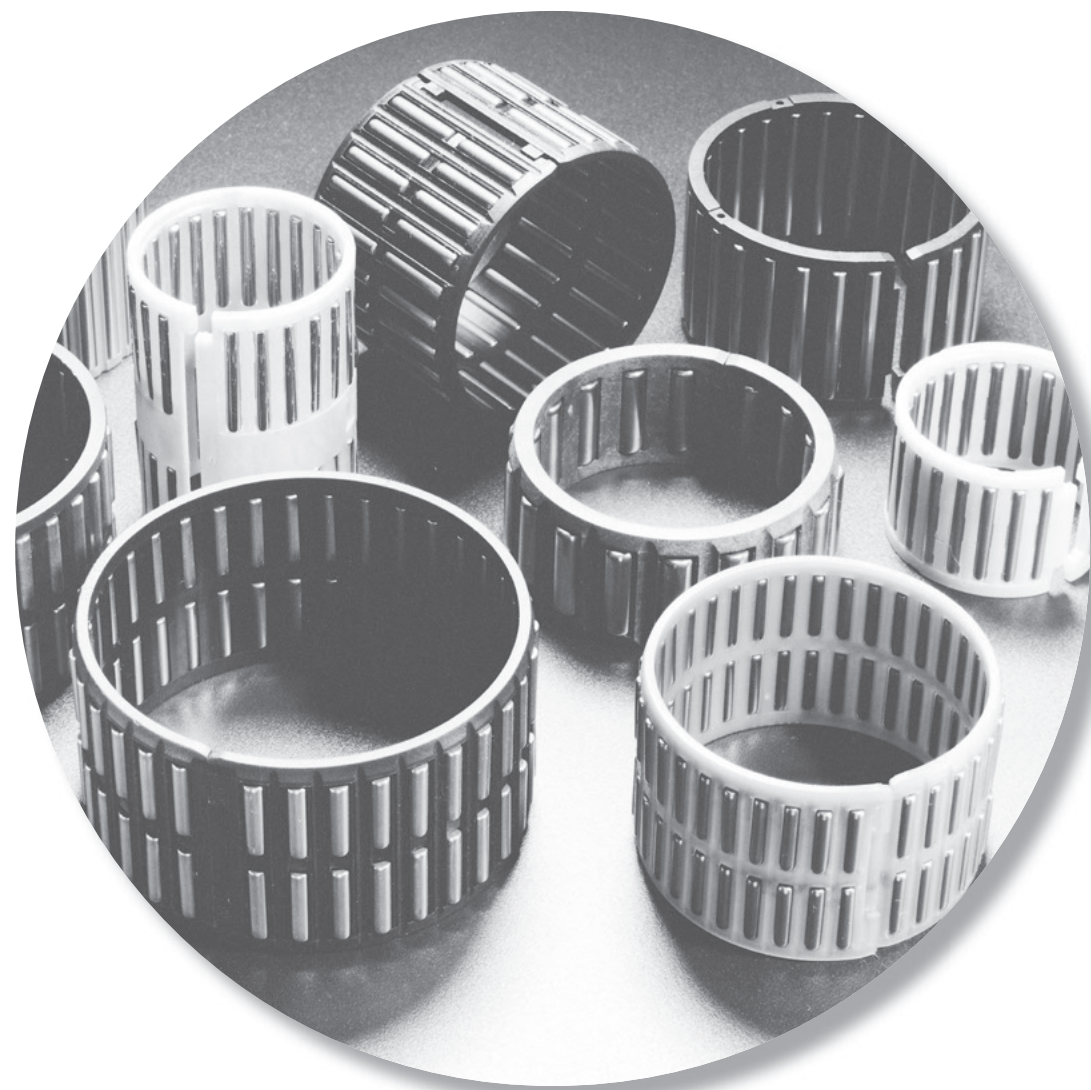
# NEEDLE ROLLER BEARINGS

# B

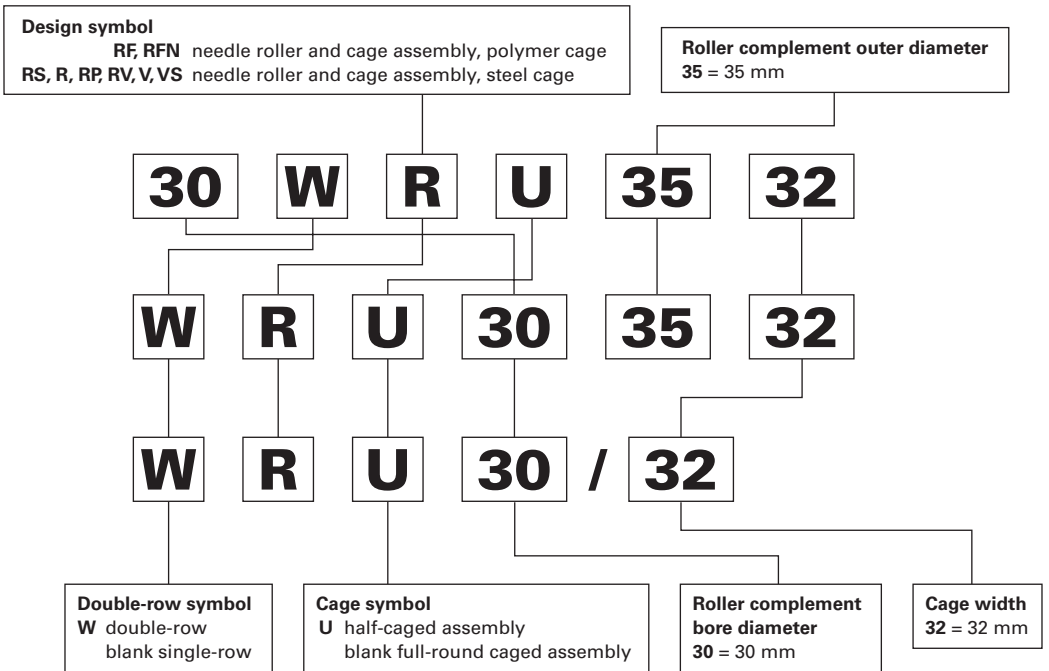
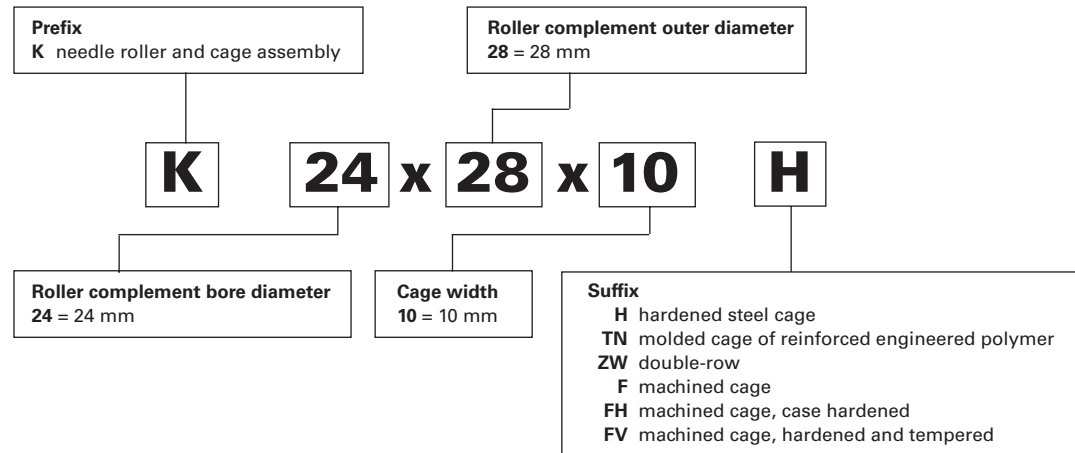
## RADIAL NEEDLE ROLLER AND CAGE ASSEMBLIES

**Overview:** Needle roller and cage assemblies feature a complement of needles held in place by a cage with no inner or outer ring. The minimal cross section provides maximum load-carrying capability within the smallest envelope.

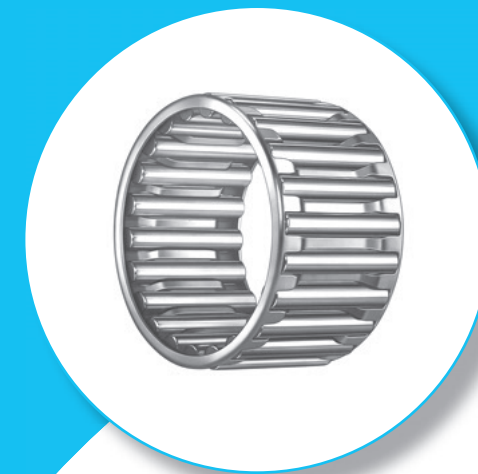
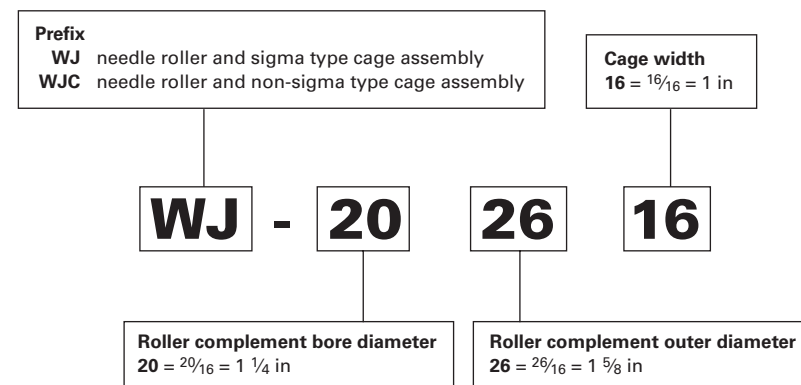
- **Catalogue range:** 3 mm – 127 mm (0.1181 in – 5.0000 in) bore.
- **Markets:** Automotive and truck transmissions, agricultural and construction equipment, two-cycle engines, pumps and compressors.
- **Features and Benefits:**
  - Unitized design simplifies handling and installation while allowing for increased lube flow.
  - Split and segmented designs allow mounting at difficult positions on crankshafts and gear shafts.
  - Controlled contour rollers optimize contact stress distribution.
  - Special manufacturing processes help increase roller fatigue resistance and minimize axial drift effects in critical applications.
  - Optimized cage piloting geometry minimizes pressure velocity effects.
  - Steel or polymer cages are available to suit your application requirements.
  - Coatings are available to help avoid corrosion and improve wear resistance.



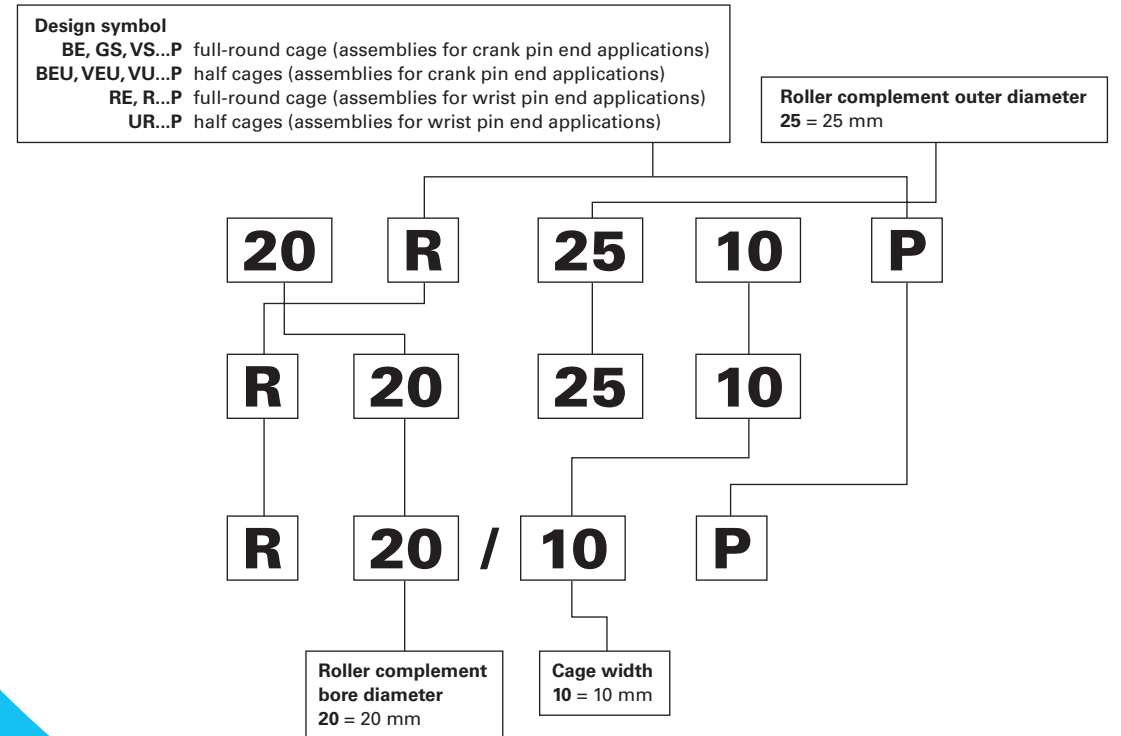
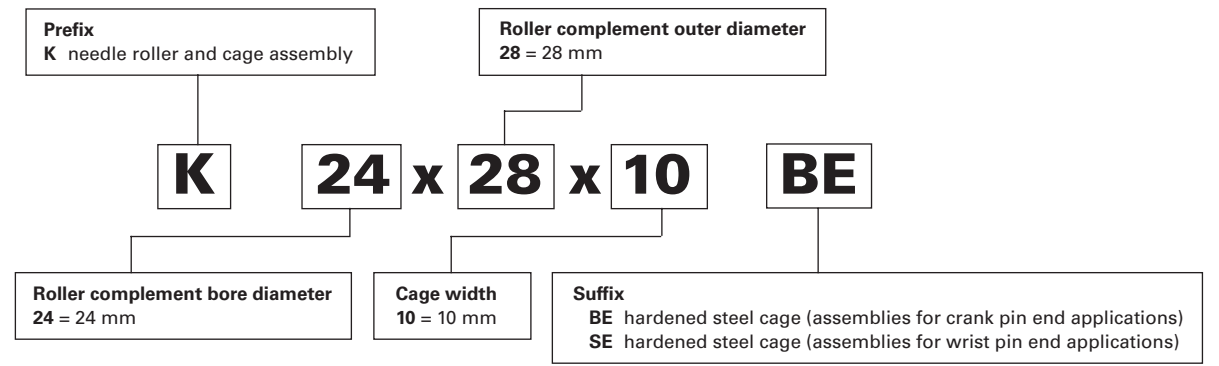
## Radial Needle Roller and Cage Assemblies – Metric Nominal Dimensions



## Inch Nominal Dimensions



## Radial Needle Roller and Cage Assemblies for Connecting Rod Applications – Nominal Dimensions





# Radial Needle Roller and Cage Assemblies

	<i>Page</i>
Introduction .....	B-1-6
<b>Single-Row, Double-Row Assemblies – Metric Series</b>	
K, K ZW Series .....	B-1-8
R, RF, RFN, RP, RS, RV, V, VS, WR, WRF, WRP, WRS Series.....	B-1-30
<b>Radial Needle Roller and Cage Assemblies for Connecting Rod Applications – Metric Series .....</b>	
K BE Series .....	B-1-47
BE, GS, VE, VS P Series.....	B-1-49
<b>Assemblies for Wrist Pin End Applications – Metric Series</b>	
K SE Series .....	B-1-51
R P, RE, UR P Series .....	B-1-53
Radial Needle Roller and Cage Assemblies – Inch Series.....	B-1-55
Single-Row Assemblies – Inch Series.....	B-1-57



**RADIAL NEEDLE ROLLER AND CAGE ASSEMBLIES**

**METRIC SERIES**

Metric series radial needle roller and cage assemblies are available in a variety of sizes and designs. This catalog includes the most popular, standardized designs.

**REFERENCE STANDARDS ARE:**

- **ISO 3030** – needle roller bearings – radial needle roller and cage assemblies – boundary dimensions and tolerances.
- **DIN 5405 Part 1** – rolling bearings – needle roller bearings – radial needle roller and cage assemblies.
- **ANSI/ABMA 18.1** – needle roller bearings – radial, metric design.
- **JIS B 1536** – roller bearings – boundary dimensions and tolerances of needle roller bearings.

Before selecting specific metric series radial needle roller and cage assemblies, the engineering section should be reviewed.

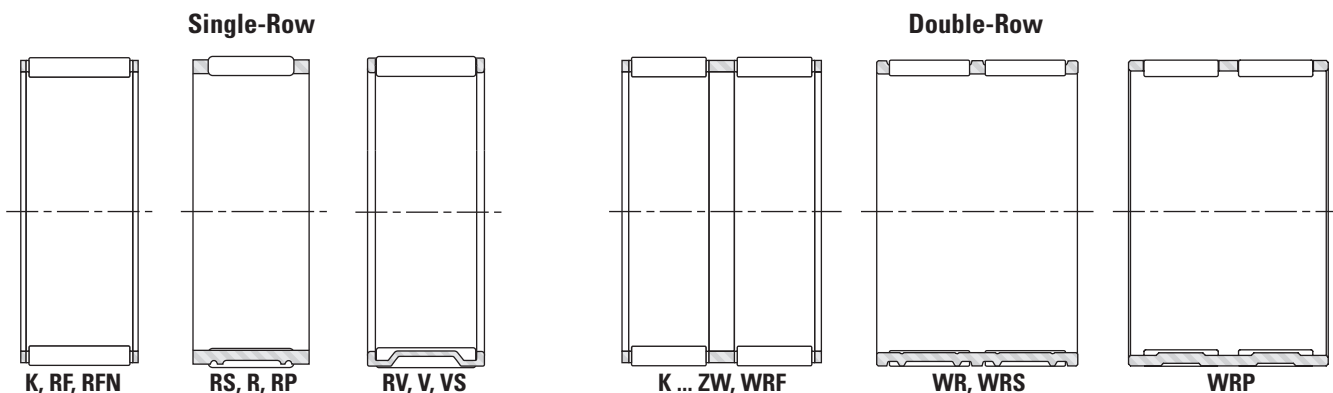


Fig. B1-1. Types of Metric Series Radial Needle Roller and Cage Assemblies

**CONSTRUCTION**

Radial needle roller and cage assemblies have a steel cage that provides both inward and outward retention for the needle rollers. The designs provide maximum cage strength consistent with the inherent high load-ratings of needle roller bearings. Accurate guidance of the needle rollers by the cage bars allows for operation at high speeds. Needle roller and cage assemblies have either one or two rows of needle rollers.

Also listed are metric series needle roller and cage assemblies using molded, one-piece glass-reinforced engineered polymer cages. These operate well at temperatures up to 120° C (250° F) over extended periods. However, care should be exercised when these assemblies are lubricated with oils containing additives as service life may be reduced if the operating temperature exceeds 100° C (212° F). At such high temperatures oil can deteriorate with time and it is suggested that oil change intervals are observed.

Needle rollers with relieved ends used in these assemblies are made of high-carbon chrome steel, through-hardened, ground and lapped to close tolerances for diameter and roundness. See the engineering section for further discussion of relieved end rollers.

**DIMENSIONAL ACCURACY**

**NEEDLE ROLLER GROUPS (GAGES)**

Applicable: K, K .. ZW series

Metric series radial needle roller and cage assemblies are supplied with needle roller complements subdivided into groups (gages) shown in Table B1-1. This is in accordance with Grade G2 specified in ISO 3096 standard (see needle rollers, page B8-13). The group limits of the needle rollers are indicated on the package. Labels of identifying colors show the group limits of the needle rollers. The needle roller and cage assemblies of one shipment usually contain needle rollers with group limits of between 0.000 to -0.002 mm (0.0000 to -0.00008 in) and -0.005 to -0.007 mm (-0.0002 to -0.0003 in) [colors red, blue and white]. For additional information on needle roller and cage assemblies with needle rollers of different group limits contact your representative.

Applicable: RF, RFN, RS, R, RP, RV, V, VS, WRF, WR, WRS, WRP series  
The purchased group is 0.000 to -0.006 mm.

Table B1-1. Needle roller group limits (Grade G2)

Group tolerance		Marking gage
mm in	mm in	
0.000 0.0000	-0.002 -0.00008	P0M2
-0.001 -0.00004	-0.003 -0.00012	M1M3
-0.002 -0.00008	-0.004 -0.0002	M2M4
-0.003 -0.00012	-0.005 -0.0002	M3M5
-0.004 -0.0002	-0.006 -0.0002	M4M6
-0.005 -0.0002	-0.007 -0.0003	M5M7
-0.006 -0.0002	-0.008 -0.0003	M6M8
-0.007 -0.0003	-0.009 -0.0004	M7M9
-0.008 -0.0003	-0.010 -0.0004	M8M10
-0.009 -0.0004	-0.011 -0.0004	M9M11

In the marking of the gages, P identifies zero (0) or plus (+), M identifies minus (-).

**AXIAL GUIDANCE REQUIREMENTS**

Radial needle roller and cage assembly must be axially guided by shoulders or other suitable means. The end guiding surfaces should be hardened to minimize wear and must provide sufficient axial clearance to prevent end-locking of the assembly. Length tolerance H11 is suggested.

If end guidance is provided by a housing shoulder at one end and by a shaft shoulder at the other end, the shaft must be axially positioned to prevent end-locking of needle roller and cage assembly. The housing and shaft shoulder heights should be 70 percent to 90 percent of the needle roller diameter to provide proper axial guidance.

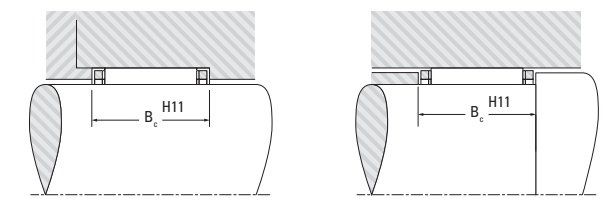


Fig. B1-2. Axial guidance requirements

**MOUNTING DIMENSIONS**

**DESIGN OF RACEWAYS**

Radial needle roller and cage assemblies use the housing bore as the outer raceway and the shaft as the inner raceway. To realize full bearing load rating and life, the housing bore and the shaft raceways must have the correct geometric and metallurgical characteristics. The housing should be of sufficient cross section to maintain adequate roundness and running clearance under load. Additional design details for housings and shafts used as outer and inner raceways can be found in the engineering section. The only limit to precision of the radial clearance of a mounted assembly is the capability of the user to hold close tolerances on the inner and outer raceways. The suggested shaft tolerances listed in Table B1-2 are based on housing bore tolerance G6 and apply to metric series needle roller bearing and cage assemblies.

Table B1-2. Suggested shaft tolerances for housing bores machined to G6

Condition	Tolerance zone class		Housing hole
	Fw ≤ 50 mm	Fw > 50 mm	
Smaller than normal	j5	h5	G6
Normal	h5	g5	
Larger than normal	g6	f6	

**MOUNTING IN SETS**

Radial needle roller and cage assemblies that are mounted side by side must have needle rollers of the same group limits to ensure uniform load distribution.

**LUBRICATION**

Oil is the preferred lubricant for most applications. In critical applications involving high speeds, ample oil flow must be provided. Where assemblies are subjected to high centrifugal forces – such as in epicyclic gearing, or inertia forces, as in the small end of a connecting rod – the contact pressure between the cage and the raceway guiding surface becomes critical. The allowable contact pressure depends on a combination of the induced force and the relative velocity between the cage and raceway and the rate of lubricant flow. Consult your representative when cages will be subjected to high induced forces.

**SPECIAL DESIGNS**

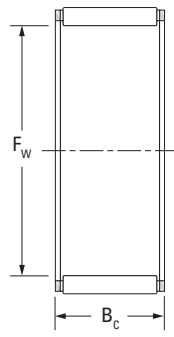
Radial needle roller and cage assemblies made to special dimensions or configurations – such as those which are split to assemble around a one-piece crankshaft – can be made available on special order. Special coated or plated cages to enhance life, under conditions of marginal lubrication and high induced forces, also can be made available.



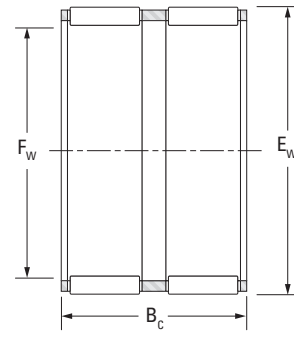
NEEDLE ROLLER BEARINGS

SINGLE-ROW, DOUBLE-ROW ASSEMBLIES

METRIC SERIES K, K ZW SERIES



K

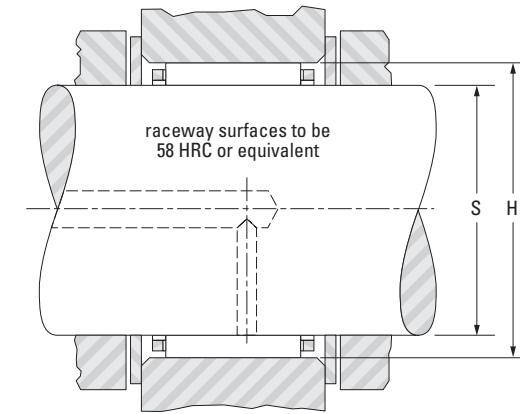


K ZW

Shaft Dia.	F <sub>w</sub>	E <sub>w</sub>	B <sub>c</sub>	Assembly Designation	Load Ratings		Cage material <sup>(1)</sup> P/S	Speed Rating		Approx. Wt.	Mounting Dimension				
					-0.20 -0.008	-0.55 -0.022		Dynamic C	Static C <sub>0</sub>		Grease	Oil	S		H
			mm in		mm in	mm in							mm in	mm in	mm in
			kN lbf					min <sup>-1</sup>		kg lbs					
3 0.1181	3 0.1181	5 0.1969	7 0.2756	K3X5X7TN	1.56 351	1.29 290	P	48000	74000	0.002 0.0004	3.000 0.1181	2.996 0.1180	5.004 0.1970	5.012 0.1973	
4 0.1575	4 0.1575	7 0.2756	7 0.276	K4X7X7TN	1.83 411	1.32 297	P	34000	52000	0.0005 0.001	4.000 0.1575	3.995 0.1573	7.014 0.2761	7.005 0.2758	
5 0.1969	5 0.1969	8 0.315	8 0.315	K5X8X8TN	2.18 490	1.71 384	P	31000	47000	0.0007 0.002	5.000 0.1969	4.995 0.1967	8.014 0.3155	8.005 0.3152	
	5 0.1969	8 0.315	10 0.394	K5X8X10TN	3.04 683	2.63 591	P	31000	47000	0.0008 0.002	5.000 0.1969	4.995 0.1967	8.014 0.3155	8.005 0.3152	
	5 0.1969	9 0.3543	13 0.512	K5X9X13TN	4.29 964	3.55 798	P	26000	40000	0.002 0.004	5.000 0.1969	4.995 0.1967	9.014 0.3549	9.005 0.3545	
6 0.2362	6 0.2362	9 0.3543	8 0.315	K6X9X8H	3.19 717	2.90 652	S	29000	44000	0.0008 0.002	6.000 0.2362	5.995 0.2360	9.014 0.3549	9.005 0.3545	
	6 0.2362	9 0.3543	8 0.315	K6X9X8TN	2.47 555	2.07 465	P	29000	44000	0.001 0.002	6.000 0.2362	5.995 0.2360	9.014 0.3549	9.005 0.3545	
	6 0.2362	9 0.3543	10 0.394	K6X9X10TN	3.07 690	2.74 616	P	29000	44000	0.001 0.002	6.000 0.2362	5.995 0.2360	9.014 0.3549	9.005 0.3545	
7 0.2756	7 0.2756	10 0.3937	8 0.315	K7X10X8TN	2.74 616	2.44 549	P	28000	42000	0.001 0.002	7.000 0.2756	6.994 0.2754	10.014 0.3943	10.005 0.3939	
	7 0.2756	10 0.3937	10 0.394	K7X10X10TN	3.40 764	3.22 724	P	28000	42000	0.001 0.002	7.000 0.2756	6.994 0.2754	10.014 0.3943	10.005 0.3939	
	7 0.2756	11 0.4331	15 0.591	K7X11X15TN	6.44 1450	6.24 1400	P	23000	35000	0.003 0.007	7.000 0.2756	6.994 0.2754	11.017 0.4337	11.006 0.4333	
8 0.3150	8 0.315	11 0.4331	8 0.315	K8X11X8FV	3.23 726	3.11 699	S	26000	41000	0.002 0.004	8.000 0.3150	7.994 0.3147	11.017 0.4337	11.006 0.4333	
	8 0.315	11 0.4331	8 0.315	K8X11X8TN	2.34 526	2.05 461	P	26000	41000	0.001 0.002	8.000 0.3150	7.994 0.3147	11.017 0.4337	11.006 0.4333	
	8 0.315	11 0.4331	10 0.394	K8X11X10H	4.57 1030	4.89 1100	S	26000	41000	0.002 0.004	8.000 0.3150	7.994 0.3147	11.017 0.4337	11.006 0.4333	
	8 0.315	11 0.4331	10 0.394	K8X11X10FV	4.01 901	4.11 924	S	26000	41000	0.002 0.004	8.000 0.3150	7.994 0.3147	11.017 0.4337	11.006 0.4333	
	8 0.315	11 0.4331	10 0.394	K8x11x10TN	3.84 864	3.91 880	P	26000	41000	0.001 0.002	8.000 0.3150	7.994 0.3147	11.006 0.4333	11.017 0.4337	
	8 0.315	11 0.4331	13 0.512	K8x11x13TN	5.18 1170	5.75 1290	P	26000	41000	0.002 0.004	8.000 0.3150	7.994 0.3147	11.006 0.4333	11.017 0.4337	

(1) Cage material: P: polymer cage, S: steel cage

Radial Needle Roller and Cage Assemblies



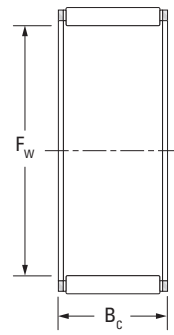
Shaft Dia.	F <sub>w</sub>	E <sub>w</sub>	B <sub>c</sub>	Assembly Designation	Load Ratings		Cage material <sup>(1)</sup> P/S	Speed Rating		Approx. Wt.	Mounting Dimension				
					-0.20 -0.008	-0.55 -0.022		Dynamic C	Static C <sub>0</sub>		Grease	Oil	S		H
			mm in		mm in	mm in							mm in	mm in	mm in
			kN lbf					min <sup>-1</sup>		kg lbs					
8 0.3150	8 0.315	11 0.4331	13 0.512	K8X11X13H	5.22 1170	5.78 1300	S	26000	41000	0.003 0.007	8.000 0.3150	7.994 0.3147	11.017 0.4337	11.006 0.4333	
9 0.3543	9 0.3543	12 0.4724	10 0.394	K9X12X10FH	4.27 960	4.60 1030	S	26000	40000	0.003 0.007	9.000 0.3543	8.994 0.3541	12.017 0.4731	12.006 0.4727	
	9 0.3543	12 0.4724	10 0.394	K9X12X10FV	4.27 960	4.60 1030	S	26000	40000	0.002 0.004	9.000 0.3543	8.994 0.3541	12.017 0.4731	12.006 0.4727	
	9 0.3543	12 0.4724	13 0.512	K9X12X13FH	5.57 1250	6.47 1450	S	26000	40000	0.003 0.007	9.000 0.3543	8.994 0.3541	12.017 0.4731	12.006 0.4727	
	9 0.3543	12 0.4724	13 0.512	K9X12X13FV	5.57 1250	6.47 1450	S	26000	40000	0.003 0.007	9.000 0.3543	8.994 0.3541	12.017 0.4731	12.006 0.4727	
	9 0.3543	13 0.5118	8 0.315	K9X13X8H	3.96 890	3.50 787	S	21000	32000	0.003 0.007	9.000 0.3543	8.994 0.3541	13.017 0.5125	13.006 0.5120	
10 0.3937	10 0.3937	13 0.5118	10 0.394	K10X13X10H	5.40 1210	6.43 1450	S	25000	39000	0.002 0.004	10.000 0.3937	9.994 0.3935	13.017 0.5125	13.006 0.5120	
	10 0.3937	13 0.5118	10 0.394	K10X13X10TN	4.29 964	4.77 1070	P	25000	39000	0.002 0.004	10.000 0.3937	9.994 0.3935	13.017 0.5125	13.006 0.5120	
	10 0.3937	13 0.5118	13 0.512	K10X13X13	5.90 1330	7.16 1610	S	25000	39000	0.003 0.007	10.000 0.3937	9.994 0.3935	13.017 0.5125	13.006 0.5120	
	10 0.3937	13 0.5118	16 0.63	K10X13X16	7.43 1670	9.64 2170	S	25000	39000	0.004 0.009	10.000 0.3937	9.994 0.3935	13.017 0.5125	13.006 0.5120	
	10 0.3937	14 0.5512	10 0.394	K10X14X10H	6.12 1380	6.29 1410	S	20000	31000	0.003 0.007	10.000 0.3937	9.994 0.3935	14.017 0.5519	14.006 0.5514	
	10 0.3937	14 0.5512	13 0.512	K10X14X13H	7.88 1770	8.71 1960	S	20000	31000	0.004 0.009	10.000 0.3937	9.994 0.3935	14.017 0.5519	14.006 0.5514	
	10 0.3937	16 0.6299	12 0.472	K10X16X12F	8.39 1890	7.47 1680	S	15000	24000	0.006 0.013	10.000 0.3937	9.994 0.3935	16.017 0.6306	16.006 0.6302	
	10 0.3937	16 0.6299	12 0.472	K10X16X12TN	7.50 1690	6.40 1440	P	15000	24000	0.005 0.011	10.000 0.3937	9.994 0.3935	16.017 0.6306	16.006 0.6302	
12 0.4724	12 0.4724	15 0.5906	10 0.394	K12X15X10H	5.85 1320	7.51 1690	S	24000	37000	0.003 0.007	12.000 0.4724	11.992 0.4721	15.017 0.5912	15.006 0.5908	
	12 0.4724	15 0.5906	13 0.512	K12X15X13H	6.78 1520	9.03 2030	S	24000	37000	0.004 0.009	12.000 0.4724	11.992 0.4721	15.017 0.5912	15.006 0.5908	
	12 0.4724	16 0.6299	13 0.512	K12X16X13H	7.49 1680	8.51 1910	S	19000	30000	0.006 0.013	12.000 0.4724	11.992 0.4721	16.017 0.6306	16.006 0.6302	

Continued on next page.

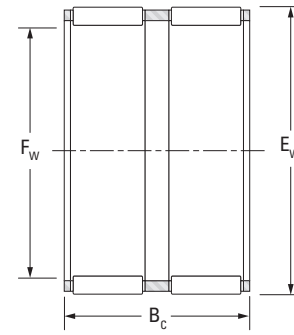


SINGLE-ROW, DOUBLE-ROW ASSEMBLIES

METRIC SERIES K, K ZW SERIES



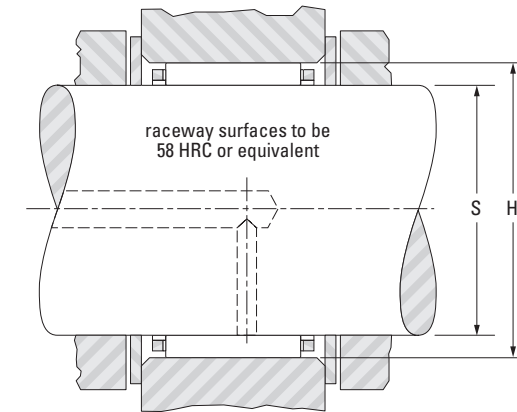
K



K ZW

Shaft Dia.	F <sub>w</sub>	E <sub>w</sub>	B <sub>c</sub>		Assembly Designation	Load Ratings		Cage material <sup>(1)</sup> P/S	Speed Rating		Mounting Dimension				
			-0.20 -0.008	-0.55 -0.022		Dynamic C	Static C <sub>0</sub>		Grease	Oil	Approx. Wt.	S		H	
												Max.	Min.	Max.	Min.
			mm	mm											
12 0.4724	12 0.4724	17 0.6693	13 0.512		K12X17X13	8.93 2010	9.29 2090	S	16000	25000	0.008 0.018	12.000 0.4724	11.992 0.4721	17.017 0.6700	17.006 0.6695
	12 0.4724	18 0.7087	12 0.472		K12X18X12H	9.76 2190	9.40 2110	S	14000	22000	0.009 0.020	12.000 0.4724	11.992 0.4721	18.017 0.7093	18.006 0.7089
13 0.5118	13 0.5118	17 0.6693	10 0.394		K13X17X10	7.22 1620	8.33 1870	S	19000	29000	0.004 0.009	13.000 0.5118	12.992 0.5115	17.017 0.6700	17.006 0.6695
	13 0.5118	18 0.7087	15 0.591		K13X18X15F	10.8 2430	12.1 2720	S	16000	25000	0.008 0.01	13.000 0.5118	12.992 0.5115	18.017 0.7093	18.006 0.7089
14 0.5512	14 0.5512	18 0.7087	8 0.315		K14X18X8	5.39 1210	5.82 1310	S	19000	29000	0.004 0.009	14.000 0.5512	13.992 0.5509	18.017 0.7093	18.006 0.7089
	14 0.5512	18 0.7087	10 0.394		K14X18X10	7.17 1610	8.41 1890	S	19000	29000	0.005 0.011	14.000 0.5512	13.992 0.5509	18.017 0.7093	18.006 0.7089
	14 0.5512	18 0.7087	13 0.512		K14X18X13	9.73 2190	12.5 2810	S	19000	29000	0.006 0.013	14.000 0.5512	13.992 0.5509	18.017 0.7093	18.006 0.7089
	14 0.5512	18 0.7087	15 0.591		K14X18X15	10.5 2360	13.8 3100	S	19000	29000	0.007 0.015	14.000 0.5512	13.992 0.5509	18.017 0.7093	18.006 0.7089
	14 0.5512	18 0.7087	17 0.669		K14X18X17H	12.4 2790	17.1 3840	S	19000	29000	0.008 0.018	14.000 0.5512	13.992 0.5509	18.017 0.7093	18.006 0.7089
	14 0.5512	19 0.748	13 0.512		K14X19X13H	10.2 2290	11.4 2560	S	16000	24000	0.008 0.018	14.000 0.5512	13.992 0.5509	19.020 0.7488	19.007 0.7483
	14 0.5512	19 0.748	18 0.709		K14X19X18F	13.2 2970	16.0 3600	S	16000	24000	0.011 0.024	14.000 0.5512	13.992 0.5509	19.020 0.7488	19.007 0.7483
	14 0.5512	20 0.7874	12 0.472		K14X20X12	10.5 2360	10.6 2380	S	14000	21000	0.009 0.020	14.000 0.5512	13.992 0.5509	20.020 0.7882	20.007 0.7877
15 0.5906	15 0.5906	18 0.7087	14 0.551		K15X18X14TN	7.92 1780	11.9 2680	P	13000	23000	0.003 0.007	15.000 0.5906	14.992 0.5902	18.017 0.7093	18.006 0.7089
	15 0.5906	18 0.7087	16 0.63		K15X18X16F	8.36 1880	12.6 2830	S	13000	23000	0.005 0.011	15.000 0.5906	14.992 0.5902	18.017 0.7093	18.006 0.7089
	15 0.5906	18 0.7087	17 0.669		K15X18X17	8.08 1820	12.1 2720	S	23000	36000	0.005 0.011	15.000 0.5906	14.992 0.5902	18.017 0.7093	18.006 0.7089
	15 0.5906	19 0.748	10 0.394		K15X19X10	7.87 1770	9.69 2180	S	18000	28000	0.005 0.011	15.000 0.5906	14.992 0.5902	19.020 0.7488	19.007 0.7483
	15 0.5906	19 0.748	13 0.512		K15X19X13	9.66 2170	12.6 2830	S	18000	28000	0.007 0.015	15.000 0.5906	14.992 0.5902	19.020 0.7488	19.007 0.7483

(1) Cage material: P: polymer cage, S: steel cage



Shaft Dia.	F <sub>w</sub>	E <sub>w</sub>	B <sub>c</sub>		Assembly Designation	Load Ratings		Cage material <sup>(1)</sup> P/S	Speed Rating		Approx. Wt.	Mounting Dimension				
			-0.20 -0.008	-0.55 -0.022		Dynamic C	Static C <sub>0</sub>		Grease	Oil		Approx. Wt.	S		H	
													Max.	Min.	Max.	Min.
			mm	mm												
15 0.5906	15 0.5906	19 0.748	17 0.669		K15X19X17H	12.3 2770	17.2 3870	S	18000	28000	0.009 0.020	15.000 0.5906	14.992 0.5902	19.020 0.7488	19.007 0.7483	
	15 0.5906	19 0.748	22 0.866		K15X19X22ZW	12.2 2740	17.0 3820	S	18000	28000	0.010 0.022	15.000 0.5906	14.992 0.5902	19.020 0.7488	19.007 0.7483	
	15 0.5906	20 0.7874	13 0.512		K15X20X13H	9.93 2230	11.3 2540	S	16000	24000	0.008 0.018	15.000 0.5906	14.992 0.5902	20.020 0.7882	20.007 0.7877	
	15 0.5906	21 0.8268	15 0.591		K15X21X15	13.4 3010	14.8 3330	S	14000	21000	0.013 0.029	15.000 0.5906	14.992 0.5902	21.020 0.8276	21.007 0.8270	
	15 0.5906	21 0.8268	21 0.827		K15X21X21H	18.0 4050	21.7 4880	S	14000	21000	0.018 0.040	15.000 0.5906	14.992 0.5902	21.020 0.8276	21.007 0.8270	
16 0.6299	16 0.6299	20 0.7874	8 0.315		K16X20X8F	6.37 1430	7.51 1690	S	18000	28000	0.005 0.011	16.000 0.6299	15.992 0.6296	20.020 0.7882	20.007 0.7877	
	16 0.6299	20 0.7874	10 0.394		K16X20X10H	7.82 1760	9.76 2190	S	18000	28000	0.006 0.013	16.000 0.6299	15.992 0.6296	20.020 0.7882	20.007 0.7877	
	16 0.6299	20 0.7874	13 0.512		K16X20X13	10.1 2270	13.5 3030	S	18000	28000	0.007 0.015	16.000 0.6299	15.992 0.6296	20.020 0.7882	20.007 0.7877	
	16 0.6299	20 0.7874	14 0.551		K16X20X14	10.8 2430	14.8 3330	S	18000	28000	0.007 0.015	16.000 0.6299	15.992 0.6296	20.020 0.7882	20.007 0.7877	
	16 0.6299	20 0.7874	17 0.669		K16X20X17H	12.9 2900	18.5 4160	S	18000	28000	0.008 0.018	16.000 0.6299	15.992 0.6296	20.020 0.7882	20.007 0.7877	
	16 0.6299	20 0.7874	20 0.787		K16X20X20	13.4 3010	19.5 4380	S	18000	28000	0.011 0.024	16.000 0.6299	15.992 0.6296	20.020 0.7882	20.007 0.7877	
	16 0.6299	22 0.8661	12 0.472		K16X22X12	11.2 2520	11.9 2680	S	19000	29000	0.010 0.022	16.000 0.6299	15.992 0.6296	22.020 0.8669	22.007 0.8664	
	16 0.6299	22 0.8661	16 0.63		K16X22X16H	14.9 3350	17.2 3870	S	19000	29000	0.014 0.031	16.000 0.6299	15.992 0.6296	22.020 0.8669	22.007 0.8664	
	16 0.6299	22 0.8661	20 0.787		K16X22X20	18.6 4180	22.9 5150	S	19000	29000	0.017 0.037	16.000 0.6299	15.992 0.6296	22.020 0.8669	22.007 0.8664	
	16 0.6299	24 0.9449	20 0.787		K16X24X20	20.2 4540	21.4 4810	S	20000	30000	0.025 0.055	16.000 0.6299	15.992 0.6296	24.020 0.9457	24.007 0.9452	
17 0.6693	17 0.6693	20 0.7874	10 0.394		K17X20X10	5.96 1340	8.53 1920	S	16000	25000	0.004 0.009	17.000 0.6693	16.992 0.6690	20.020 0.7882	20.007 0.7877	
	17 0.6693	21 0.8268	10 0.394		K17X21X10	8.12 1830	10.4 2340	S	17000	26000	0.006 0.013	17.000 0.6693	16.992 0.6690	21.020 0.8276	21.007 0.8270	

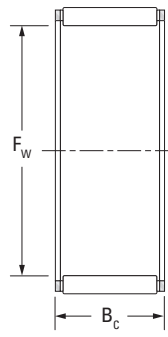
Continued on next page.



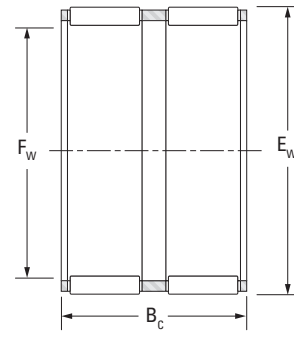


SINGLE-ROW,  
DOUBLE-ROW  
ASSEMBLIES

METRIC SERIES  
K, K ZW SERIES



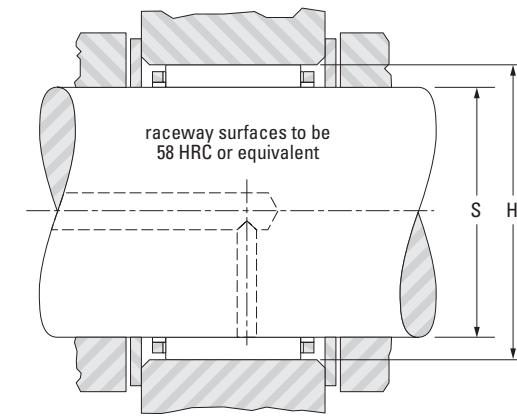
K



K ZW

Shaft Dia.	F <sub>w</sub>	E <sub>w</sub>	B <sub>c</sub>	Assembly Designation	Load Ratings		Cage material <sup>(1)</sup> P/S	Speed Rating		Approx. Wt.	Mounting Dimension			
					Dynamic	Static		Grease	Oil		S		H	
											C	C <sub>0</sub>	Max.	Min.
mm in	mm in	mm in	mm in		kN lbf			min <sup>-1</sup>	kg lbs	mm in	mm in	mm in	mm in	
			-0.20 -0.008 -0.55 -0.022											
17 0.6693	17 0.6693	21 0.8268	12.8 0.504	K17X21X13H	10.5 2360	14.5 3260	S	17000	26000	0.008 0.018	17.000 0.6693	16.992 0.6690	21.020 0.8276	21.007 0.8270
				K17X21X15	11.4 2560	16.1 3620	S	17000	26000	0.008 0.018	17.000 0.6693	16.992 0.6690	21.020 0.8276	21.007 0.8270
				K17X21X17H	13.4 3010	19.8 4450	S	17000	26000	0.011 0.024	17.000 0.6693	16.992 0.6690	21.020 0.8276	21.007 0.8270
				K17X22X20FH	17.0 3820	23.3 5240	S	17000	27000	0.015 0.033	17.000 0.6693	16.992 0.6690	22.020 0.8669	22.007 0.8664
				K17X23X15F	14.1 3170	16.3 3660	S	18000	27000	0.010 0.022	17.000 0.6693	16.992 0.6690	23.020 0.9063	23.007 0.9058
18 0.7087	18 0.7087	22 0.8661	8 0.315	K18X22X8F	6.32 1420	7.70 1730	S	16000	24000	0.005 0.011	18.000 0.7087	17.992 0.7083	22.020 0.8669	22.007 0.8664
				K18X22X10H	8.41 1890	11.1 2500	S	16000	24000	0.006 0.013	18.000 0.7087	17.992 0.7083	22.020 0.8669	22.007 0.8664
				K18X22X13H	10.8 2430	15.4 3460	S	16000	24000	0.008 0.018	18.000 0.7087	17.992 0.7083	22.020 0.8669	22.007 0.8664
				K18X22X14	11.6 2610	16.8 3780	S	16000	24000	0.009 0.020	18.000 0.7087	17.992 0.7083	22.020 0.8669	22.007 0.8664
				K18X22X14FV	11.3 2540	16.3 3660	S	16000	24000	0.009 0.020	18.000 0.7087	17.992 0.7083	22.020 0.8669	22.007 0.8664
				K18X22X17H	13.3 2990	19.9 4470	S	16000	24000	0.009 0.020	18.000 0.7087	17.992 0.7083	22.020 0.8669	22.007 0.8664
				K18X22X20F	15.0 3370	23.4 5260	S	16000	24000	0.011 0.024	18.000 0.7087	17.992 0.7083	22.020 0.8669	22.007 0.8664
				K18X24X12	11.8 2650	13.1 2940	S	17000	25000	0.011 0.024	18.000 0.7087	17.992 0.7083	24.020 0.9457	24.007 0.9452
				K18X24X20H	19.4 4360	24.9 5600	S	16000	25000	0.019 0.042	18.000 0.7087	17.992 0.7083	24.020 0.9457	24.007 0.9452
				K18X25X22H	23.3 5240	28.6 6430	S	17000	26000	0.025 0.055	18.000 0.7087	17.992 0.7083	25.020 0.9850	25.007 0.9845
				K18X26X12FV	13.8 3100	13.5 3030	S	11000	17000	0.020 0.044	18.000 0.7087	17.992 0.7083	26.020 1.0244	26.007 1.0239
				K18X26X20F	21.7 4880	24.1 5420	S	17000	26000	0.027 0.060	18.000 0.7087	17.992 0.7083	26.020 1.0244	26.007 1.0239

(1) Cage material: P: polymer cage, S: steel cage



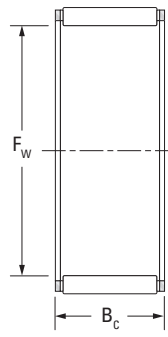
Shaft Dia.	F <sub>w</sub>	E <sub>w</sub>	B <sub>c</sub>	Assembly Designation	Load Ratings		Cage material <sup>(1)</sup> P/S	Speed Rating		Approx. Wt.	Mounting Dimension			
					Dynamic	Static		Grease	Oil		S		H	
											C	C <sub>0</sub>	Max.	Min.
mm in	mm in	mm in	mm in		kN lbf			min <sup>-1</sup>	kg lbs	mm in	mm in	mm in	mm in	
			-0.20 -0.008 -0.55 -0.022											
19 0.7480	19 0.748	23 0.9055	13 0.512	K19X23X13	10.8 2430	15.5 3480	S	15000	23000	0.008 0.018	19.000 0.7480	18.991 0.7477	23.020 0.9063	23.007 0.9058
				K19X23X17	13.4 3010	20.6 4630	S	15000	23000	0.011 0.024	19.000 0.7480	18.991 0.7477	23.020 0.9063	23.007 0.9058
20 0.7874	20 0.7874	24 0.9449	8 0.315	K20X24X8F	7.31 1640	9.60 2160	S	14000	22000	0.005 0.011	20.000 0.7874	19.991 0.7870	24.020 0.9457	24.007 0.9452
				K20X24X10H	8.97 2020	12.5 2810	S	14000	22000	0.006 0.013	20.000 0.7874	19.991 0.7870	24.020 0.9457	24.007 0.9452
				K20X24X12	10.7 2410	15.7 3530	S	14000	22000	0.008 0.018	20.000 0.7874	19.991 0.7870	24.020 0.9457	24.007 0.9452
				K20X24X13H	11.5 2590	17.3 3890	S	14000	22000	0.009 0.020	20.000 0.7874	19.991 0.7870	24.020 0.9457	24.007 0.9452
				K20X24X14	12.4 2790	18.9 4250	S	14000	22000	0.009 0.020	20.000 0.7874	19.991 0.7870	24.020 0.9457	24.007 0.9452
				K20X24X17H	14.8 3330	23.7 5330	S	14000	22000	0.011 0.024	20.000 0.7874	19.991 0.7870	24.020 0.9457	24.007 0.9452
				K20X26X12	13.0 2920	15.3 3440	S	15000	23000	0.012 0.026	20.000 0.7874	19.991 0.7870	26.020 1.0244	26.007 1.0239
				K20X26X13H	13.4 3010	15.9 3570	S	15000	23000	0.014 0.031	20.000 0.7874	19.991 0.7870	26.020 1.0244	26.007 1.0239
				K20X26X17H	19.3 4340	25.5 5730	S	15000	23000	0.017 0.037	20.000 0.7874	19.991 0.7870	26.020 1.0244	26.007 1.0239
				K20X26X20	20.3 4560	27.2 6110	S	15000	23000	0.020 0.044	20.000 0.7874	19.991 0.7870	26.020 1.0244	26.007 1.0239
				K20X28X20H	24.6 5530	29.0 6520	S	15000	23000	0.028 0.062	20.000 0.7874	19.991 0.7870	28.020 1.1031	28.007 1.1026
				K20X28X25H	29.7 6680	37.0 8320	S	15000	23000	0.036 0.079	20.000 0.7874	19.991 0.7870	28.020 1.1031	28.007 1.1026
				K20X30X30H	38.9 8750	45.8 10300	S	16000	24000	0.055 0.121	20.000 0.7874	19.991 0.7870	30.020 1.1819	30.007 1.1814
				K20X32X36H	49.9 11220	57.0 12810	S	16000	25000	0.082 0.181	20.000 0.7874	19.991 0.7870	32.025 1.2608	32.009 1.2602
21 0.8268	21 0.8268	25 0.9843	17 0.669	K21X25X17H	14.3 3210	23.1 5190	S	14000	21000	0.013 0.029	21.000 0.8268	20.991 0.8264	25.020 0.9850	25.007 0.9845

Continued on next page.

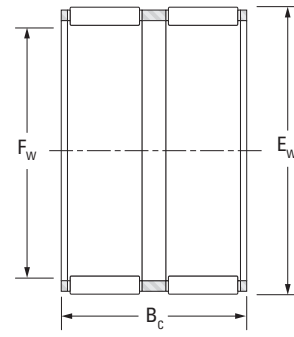


SINGLE-ROW, DOUBLE-ROW ASSEMBLIES

METRIC SERIES K, K ZW SERIES



K



K ZW

Table with 14 columns: Shaft Dia., Fw, Ew, Bc, Assembly Designation, Load Ratings (Dynamic/Static), Cage material, Speed Rating (Grease/Oil), Approx. Wt., Mounting Dimension (S/H). Rows include bearings like K22X26X10H, K22X26X13H, etc.

(1) Cage material: P: polymer cage, S: steel cage

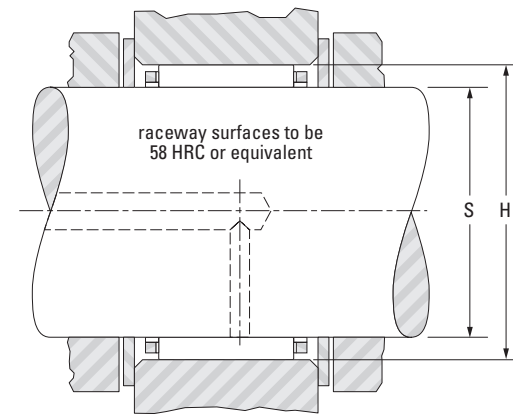


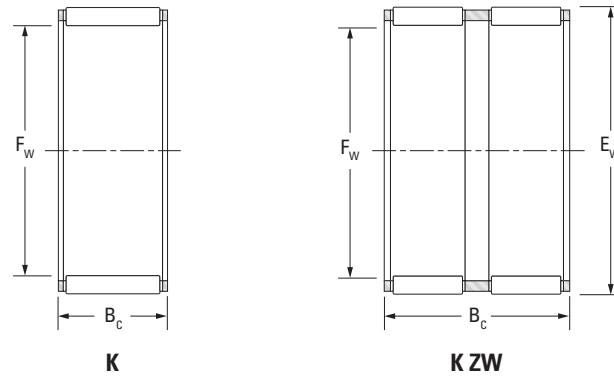
Table with 14 columns: Shaft Dia., Fw, Ew, Bc, Assembly Designation, Load Ratings (Dynamic/Static), Cage material, Speed Rating (Grease/Oil), Approx. Wt., Mounting Dimension (S/H). Rows include bearings like K24X30X17H, K24X30X22, etc.

Continued on next page.



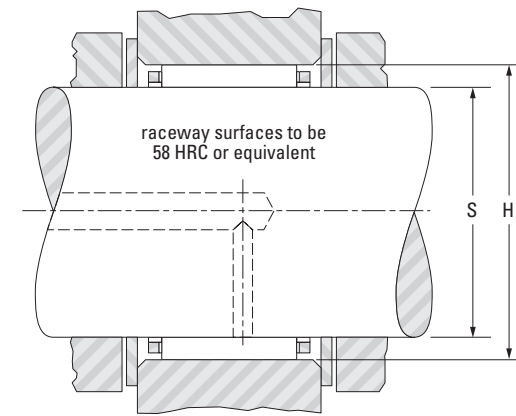
## SINGLE-ROW, DOUBLE-ROW ASSEMBLIES

### METRIC SERIES K, K ZW SERIES



Shaft Dia.	$F_w$	$E_w$	$B_c$	Assembly Designation	Load Ratings		Cage material <sup>(1)</sup> P/S	Speed Rating		Approx. Wt.	Mounting Dimension			
					Dynamic C	Static $C_0$		Grease	Oil		S		H	
											Max.	Min.	Max.	Min.
mm in	mm in	mm in	mm in		kN lbf				kg lbs	mm in	mm in	mm in	mm in	
25 0.9843	25 0.9843	33 1.2992	20 0.787	K25X33X20H	28.8 6470	37.6 8450	S	12000	18000	0.035 0.077	25.000 0.9843	24.991 0.9839	33.025 1.3002	33.009 1.2996
	25 0.9843	33 1.2992	24 0.945	K25X33X24H	32.3 7260	43.5 9780	S	12000	18000	0.038 0.084	25.000 0.9843	24.991 0.9839	33.025 1.3002	33.009 1.2996
	25 0.9843	33 1.2992	25 0.984	K25X33X25H	33.0 7420	44.6 10030	S	12000	18000	0.041 0.090	25.000 0.9843	24.991 0.9839	33.025 1.3002	33.009 1.2996
	25 0.9843	35 1.378	23.7 0.933	K25X35X23.7H	35.9 8070	42.3 9510	S	12000	19000	0.050 0.110	25.000 0.9843	24.991 0.9839	35.025 1.3789	35.009 1.3783
	25 0.9843	35 1.378	25 0.984	K25X35X25H	37.8 8500	46.2 10390	S	12000	19000	0.054 0.119	25.000 0.9843	24.991 0.9839	35.025 1.3789	35.009 1.3783
	25 0.9843	35 1.378	30 1.181	K25X35X30H	44.6 10030	57.2 12860	S	12000	19000	0.060 0.132	25.000 0.9843	24.991 0.9839	35.025 1.3789	35.009 1.3783
	25 0.9843	35 1.378	36 1.417	K25X35X36H	52.4 11780	70.4 15830	S	12000	19000	0.074 0.163	25.000 0.9843	24.991 0.9839	35.025 1.3789	35.009 1.3783
	25 0.9843	37 1.4567	20 0.787	K25X37X20H	32.5 7310	34.1 7670	S	12000	19000	0.055 0.121	25.000 0.9843	24.991 0.9839	37.025 1.4577	37.009 1.4570
26 1.0236	26 1.0236	30 1.1811	10 0.394	K26X30X10F	9.46 2130	14.5 3260	S	11000	16000	0.007 0.015	26.000 1.0236	25.991 1.0233	30.020 1.1819	30.007 1.1814
	26 1.0236	30 1.1811	13 0.512	K26X30X13	12.3 2770	20.4 4590	S	10000	16000	0.011 0.024	26.000 1.0236	25.991 1.0233	30.020 1.1819	30.007 1.1814
	26 1.0236	30 1.1811	17 0.669	K26X30X17	15.0 3370	26.3 5910	S	10000	16000	0.014 0.031	26.000 1.0236	25.991 1.0233	30.020 1.1819	30.007 1.1814
	26 1.0236	30 1.1811	22 0.866	K26X30X22ZW	16.7 3750	30.2 6790	S	10000	16000	0.018 0.040	26.000 1.0236	25.991 1.0233	30.020 1.1819	30.007 1.1814
28 1.1024	28 1.1024	32 1.2598	21 0.827	K28X32X21F	18.7 4200	35.7 8030	S	9900	15000	0.018 0.040	28.000 1.1024	27.991 1.1020	32.025 1.2608	32.009 1.2602
	28 1.1024	33 1.2992	13 0.512	K28X33X13F	14.1 3170	21.4 4810	S	10000	15000	0.015 0.033	28.000 1.1024	27.991 1.1020	33.025 1.3002	33.009 1.2996
	28 1.1024	33 1.2992	17 0.669	K28X33X17H	19.8 4450	33.0 7420	S	10000	15000	0.018 0.040	28.000 1.1024	27.991 1.1020	33.025 1.3002	33.009 1.2996
	28 1.1024	33 1.2992	27 1.063	K28X33X27	29.0 6520	53.8 12090	S	10000	15000	0.027 0.060	28.000 1.1024	27.991 1.1020	33.025 1.3002	33.009 1.2996
	28 1.1024	34 1.3386	17 0.669	K28X34X17	21.1 4740	31.5 7080	S	10000	16000	0.022 0.049	28.000 1.1024	27.991 1.1020	34.025 1.3396	34.009 1.3389

(1) Cage material: P: polymer cage, S: steel cage



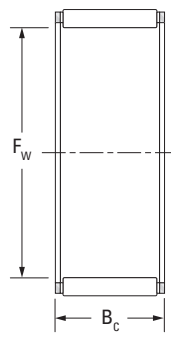
Shaft Dia.	$F_w$	$E_w$	$B_c$	Assembly Designation	Load Ratings		Cage material <sup>(1)</sup> P/S	Speed Rating		Approx. Wt.	Mounting Dimension			
					Dynamic C	Static $C_0$		Grease	Oil		S		H	
											Max.	Min.	Max.	Min.
mm in	mm in	mm in	mm in		kN lbf				kg lbs	mm in	mm in	mm in	mm in	
28 1.1024	28 1.1024	34 1.3386	20 0.787	K28X34X20H	24.4 5490	37.8 8500	S	10000	16000	0.025 0.055	28.000 1.1024	27.991 1.1020	34.025 1.3396	34.009 1.3389
	28 1.1024	35 1.378	15 0.591	K28X35X15H	19.5 4380	25.6 5760	S	10000	16000	0.025 0.055	28.000 1.1024	27.991 1.1020	35.025 1.3789	35.009 1.3783
	28 1.1024	35 1.378	16 0.63	K28X35X16H	21.5 4830	29.1 6540	S	10000	16000	0.026 0.057	28.000 1.1024	27.991 1.1020	35.025 1.3789	35.009 1.3783
	28 1.1024	35 1.378	27 1.063	K28X35X27H	35.2 7910	54.7 12300	S	10000	16000	0.042 0.093	28.000 1.1024	27.991 1.1020	35.025 1.3789	35.009 1.3783
	28 1.1024	36 1.4173	20 0.787	K28X36X20FV	27.8 6250	37.0 8320	S	10000	16000	0.039 0.086	28.000 1.1024	27.991 1.1020	36.025 1.4183	36.009 1.4177
	28 1.1024	38 1.4961	25 1.004	K28X38X25.5	40.9 9190	52.7 11850	S	11000	16000	0.059 0.130	28.000 1.1024	27.991 1.1020	38.025 1.4970	38.009 1.4964
	28 1.1024	40 1.5748	18 0.709	K28X40X18H	33.6 7550	36.5 8210	S	11000	17000	0.060 0.132	28.000 1.1024	27.991 1.1020	40.025 1.5758	40.009 1.5752
	28 1.1024	40 1.5748	25 0.984	K28X40X25H	45.5 10230	54.0 12140	S	11000	17000	0.072 0.159	28.000 1.1024	27.991 1.1020	40.025 1.5758	40.009 1.5752
	28 1.1024	40 1.5748	30 1.181	K28X40X30H	54.3 12210	67.8 15240	S	11000	17000	0.100 0.220	28.000 1.1024	27.991 1.1020	40.025 1.5758	40.009 1.5752
	28 1.1024	41 1.6142	25 0.984	K28X41X25H	49.2 11060	57.1 12840	S	11000	17000	0.082 0.181	28.000 1.1024	27.991 1.1020	41.025 1.6152	41.009 1.6145
29 1.1417	29 1.1417	34 1.3386	27 1.063	K29X34X27F	28.9 6500	54.0 12140	S	9700	15000	0.033 0.073	29.000 1.1417	28.991 1.1414	34.025 1.3396	34.009 1.3389
30 1.1811	30 1.1811	34 1.3386	13 0.512	K30X34X13	13.5 3030	24.1 5420	S	9200	14000	0.011 0.024	30.000 1.1811	29.991 1.1807	34.025 1.3396	34.009 1.3389
	30 1.1811	35 1.378	13 0.512	K30X35X13H	15.6 3510	24.9 5600	S	9300	14000	0.017 0.037	30.000 1.1811	29.991 1.1807	35.025 1.3789	35.009 1.3783
	30 1.1811	35 1.378	17 0.669	K30X35X17H	20.2 4540	34.6 7780	S	9300	14000	0.022 0.049	30.000 1.1811	29.991 1.1807	35.025 1.3789	35.009 1.3783
	30 1.1811	35 1.378	20 0.787	K30X35X20H	23.5 5280	41.9 9420	S	9300	14000	0.023 0.051	30.000 1.1811	29.991 1.1807	35.025 1.3789	35.009 1.3783
	30 1.1811	35 1.378	22.8 0.898	K30X35X23F	25.6 5760	46.8 10520	S	9300	14000	0.028 0.062	30.000 1.1811	29.991 1.1807	35.025 1.3789	35.009 1.3783
	30 1.1811	35 1.378	27 1.063	K30X35X27H	30.6 6880	59.0 13260	S	9300	14000	0.032 0.071	30.000 1.1811	29.991 1.1807	35.025 1.3789	35.009 1.3783

Continued on next page.

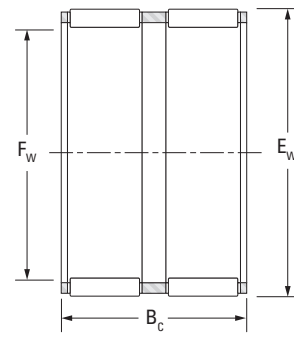


SINGLE-ROW, DOUBLE-ROW ASSEMBLIES

METRIC SERIES K, K ZW SERIES



K



K ZW

Table with 14 columns: Shaft Dia., Fw, Ew, Bc, Assembly Designation, Load Ratings (Dynamic, Static), Cage material, Speed Rating (Grease, Oil), Approx. Wt., Mounting Dimension (S, H).

(1) Cage material: P: polymer cage, S: steel cage

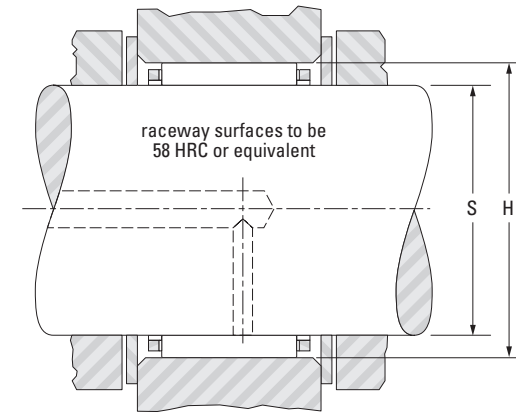


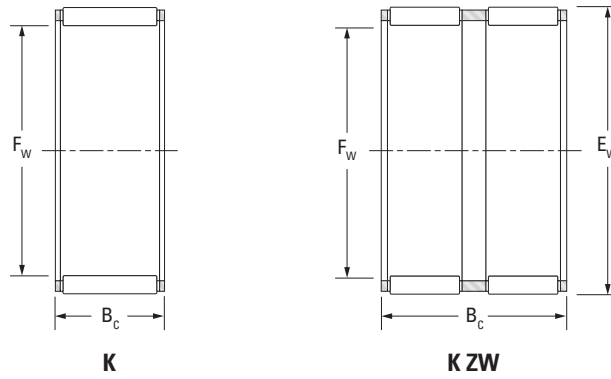
Table with 14 columns: Shaft Dia., Fw, Ew, Bc, Assembly Designation, Load Ratings (Dynamic, Static), Cage material, Speed Rating (Grease, Oil), Approx. Wt., Mounting Dimension (S, H).

Continued on next page.



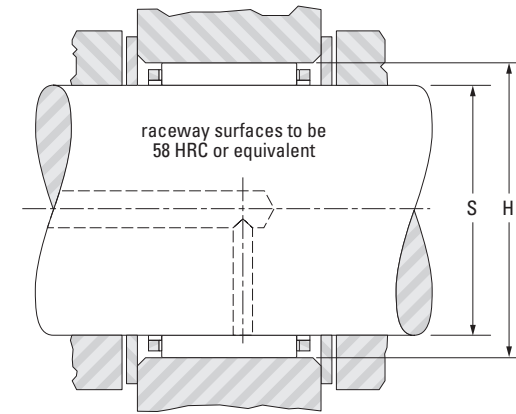
SINGLE-ROW,  
DOUBLE-ROW  
ASSEMBLIES

METRIC SERIES  
K, K ZW SERIES



Shaft Dia.	F <sub>w</sub>	E <sub>w</sub>	B <sub>c</sub>	Assembly Designation	Load Ratings		Cage material <sup>(1)</sup> P/S	Speed Rating		Approx. Wt.	Mounting Dimension			
					Dynamic	Static		Grease	Oil		S		H	
											C	C <sub>0</sub>	Max.	Min.
mm in	mm in	mm in	mm in		kN lbf			min <sup>-1</sup>	kg lbs	mm in	mm in	mm in	mm in	
35 1.3780	35 1.378	45 1.7717	35 1.378	K35X45X35H	62.1 13960	95.5 21470	S	8400 13000	0.085 0.187	35.000 1.3780	34.989 1.3775	45.025 1.7726	45.009 1.7720	
	35 1.378	45 1.7717	41 1.614	K35X45X41	70.8 15920	113 25400	S	8400 13000	0.120 0.265	35.000 1.3780	34.989 1.3775	45.025 1.7726	45.009 1.7720	
	35 1.378	45 1.7717	49 1.929	K35X45X49H	82.5 18550	138 31020	S	8400 13000	0.143 0.315	35.000 1.3780	34.989 1.3775	45.025 1.7726	45.009 1.7720	
	35 1.378	45 1.7717	49 1.929	K35X45X49HZW	71.8 16140	115 25850	S	8400 13000	0.143 0.315	35.000 1.3780	34.989 1.3775	45.025 1.7726	45.009 1.7720	
	35 1.378	50 1.9685	40 1.575	K35X50X40F	79.7 17920	102 22930	S	8700 13000	0.200 0.441	35.000 1.3780	34.989 1.3775	50.025 1.9695	50.009 1.9689	
36 1.4173	36 1.4173	40 1.5748	29 1.142	K36X40X29TN	21.2 4770	45.2 10160	P	7600 12000	0.029 0.064	36.000 1.4173	35.989 1.4169	40.025 1.5758	40.009 1.5752	
	36 1.4173	42 1.6535	16 0.63	K36X42X16	22.8 5130	37.7 8480	S	7800 12000	0.027 0.060	36.000 1.4173	35.989 1.4169	42.025 1.6545	42.009 1.6539	
37 1.4567	37 1.4567	42 1.6535	13 0.512	K37X42X13H	16.9 3800	29.4 6610	S	7500 11000	0.017 0.037	37.000 1.4567	36.989 1.4563	42.025 1.6545	42.009 1.6539	
	37 1.4567	42 1.6535	17 0.669	K37X42X17H	21.9 4920	41.0 9220	S	7500 11000	0.025 0.055	37.000 1.4567	36.989 1.4563	42.025 1.6545	42.009 1.6539	
	37 1.4567	42 1.6535	27 1.063	K37X42X27F	32.1 7220	66.9 15040	S	7500 11000	0.039 0.086	37.000 1.4567	36.989 1.4563	42.025 1.6545	42.009 1.6539	
	37 1.4567	44 1.7323	19 0.748	K37X44X19H	29.7 6680	48.0 10790	S	7600 12000	0.039 0.086	37.000 1.4567	36.989 1.4563	44.025 1.7333	44.009 1.7326	
38 1.4961	38 1.4961	41 1.6142	9 0.354	K38X41X9TN	5.93 1330	11.0 2470	P	7100 11000	0.004 0.009	38.000 1.4961	37.989 1.4956	41.025 1.6152	41.009 1.6145	
	38 1.4961	43 1.6929	17 0.669	K38X43X17H	21.8 4900	41.0 9220	S	7300 11000	0.032 0.071	38.000 1.4961	37.989 1.4956	43.025 1.6939	43.009 1.6933	
	38 1.4961	43 1.6929	27 1.063	K38X43X27	31.9 7170	67.0 15060	S	7300 11000	0.041 0.090	38.000 1.4961	37.989 1.4956	43.025 1.6939	43.009 1.6933	
	38 1.4961	46 1.811	19.8 0.78	K38X46X20H	33.3 7490	51.0 11470	S	7500 12000	0.055 0.121	38.000 1.4961	37.989 1.4956	46.025 1.8120	46.009 1.8114	
	38 1.4961	46 1.811	32 1.26	K38X46X32H	55.2 12410	98.1 22050	S	7500 12000	0.090 0.198	38.000 1.4961	37.989 1.4956	46.025 1.8120	46.009 1.8114	
	38 1.4961	50 1.9685	25 0.984	K38X50X25	53.0 11910	70.8 15920	S	7800 12000	0.100 0.220	38.000 1.4961	37.989 1.4956	50.025 1.9695	50.009 1.9689	

(1) Cage material: P: polymer cage, S: steel cage



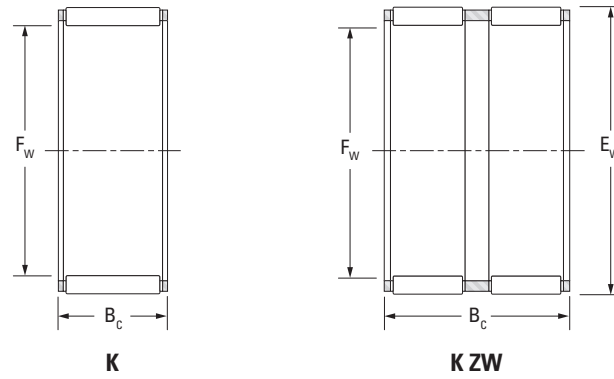
Shaft Dia.	F <sub>w</sub>	E <sub>w</sub>	B <sub>c</sub>	Assembly Designation	Load Ratings		Cage material <sup>(1)</sup> P/S	Speed Rating		Approx. Wt.	Mounting Dimension			
					Dynamic	Static		Grease	Oil		S		H	
											C	C <sub>0</sub>	Max.	Min.
mm in	mm in	mm in	mm in		kN lbf			min <sup>-1</sup>	kg lbs	mm in	mm in	mm in	mm in	
38 1.4961	38 1.4961	50 1.9685	33 1.299	K38X50X33H	68.3 15350	98.2 22080	S	7800 12000	0.126 0.278	38.000 1.4961	37.989 1.4956	50.025 1.9695	50.009 1.9689	
	38 1.4961	50 1.9685	40 1.575	K38X50X40FH	76.2 17130	113 25400	S	7800 12000	0.170 0.375	38.000 1.4961	37.989 1.4956	50.025 1.9695	50.009 1.9689	
40 1.5748	40 1.5748	45 1.7717	13 0.512	K40X45X13H	17.6 3960	31.7 7130	S	6900 11000	0.022 0.049	40.000 1.5748	39.989 1.5744	45.025 1.7726	45.009 1.7720	
	40 1.5748	45 1.7717	18 0.709	K40X45X18H	25.1 5640	50.4 11330	S	6900 11000	0.031 0.068	40.000 1.5748	39.989 1.5744	45.025 1.7726	45.009 1.7720	
	40 1.5748	45 1.7717	21 0.827	K40X45X21H	23.3 5240	45.2 10160	S	6900 11000	0.033 0.073	40.000 1.5748	39.989 1.5744	45.025 1.7726	45.009 1.7720	
	40 1.5748	45 1.7717	27 1.063	K40X45X27H	32.7 7350	70.2 15780	S	6900 11000	0.040 0.088	40.000 1.5748	39.989 1.5744	45.025 1.7726	45.009 1.7720	
	40 1.5748	45 1.7717	27 1.063	K40X45X27TN	33.3 7490	72.1 16210	P	6900 11000	0.030 0.066	40.000 1.5748	39.989 1.5744	45.025 1.7726	45.009 1.7720	
	40 1.5748	45 1.7717	29 1.142	K40X45X29H	34.7 7800	75.9 17060	S	6900 11000	0.050 0.110	40.000 1.5748	39.989 1.5744	45.025 1.7726	45.009 1.7720	
	40 1.5748	46 1.811	17 0.669	K40X46X17	25.2 5670	44.0 9890	S	7000 11000	0.033 0.073	40.000 1.5748	39.989 1.5744	46.025 1.8120	46.009 1.8114	
	40 1.5748	47 1.8504	18 0.709	K40X47X18	28.0 6290	45.6 10250	S	7000 11000	0.041 0.090	40.000 1.5748	39.989 1.5744	47.025 1.8514	47.009 1.8507	
	40 1.5748	47 1.8504	20 0.787	K40X47X20	31.1 6990	52.1 11710	S	7000 11000	0.042 0.093	40.000 1.5748	39.989 1.5744	47.025 1.8514	47.009 1.8507	
	40 1.5748	48 1.8898	20 0.787	K40X48X20FV1	35.5 7980	56.3 12660	S	7100 11000	0.052 0.115	40.000 1.5748	39.989 1.5744	48.025 1.8907	48.009 1.8901	
	40 1.5748	48 1.8898	20 0.787	K40X48X20H	35.5 7980	56.3 12660	S	7100 11000	0.050 0.110	40.000 1.5748	39.989 1.5744	48.025 1.8907	48.009 1.8901	
	40 1.5748	48 1.8898	35 1.378	K40X48X35H	57.3 12880	104 23380	S	7100 11000	0.098 0.216	40.000 1.5748	39.989 1.5744	48.025 1.8907	48.009 1.8901	
	40 1.5748	50 1.9685	27 1.063	K40X50X27H	53.0 11910	81.0 18210	S	7200 11000	0.084 0.185	40.000 1.5748	39.989 1.5744	50.025 1.9695	50.009 1.9689	
	40 1.5748	55 2.1654	45 1.772	K40X55X45H	103 23160	146 32820	S	7500 12000	0.221 0.487	40.000 1.5748	39.989 1.5744	55.029 2.1665	55.010 2.1657	
	40 1.5748	56 2.2047	26 1.024	K40X56X26H	63.7 14320	75.7 17020	S	7600 12000	0.138 0.304	40.000 1.5748	39.989 1.5744	56.029 2.2059	56.010 2.2051	

Continued on next page.



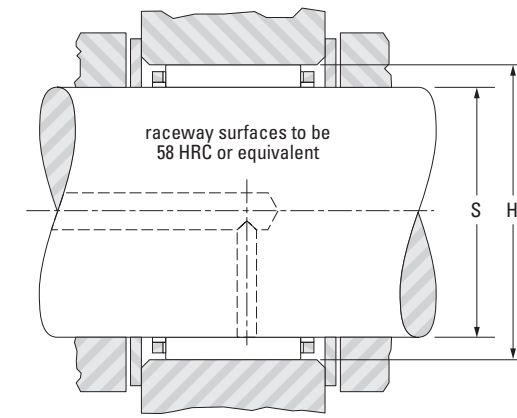
SINGLE-ROW,  
DOUBLE-ROW  
ASSEMBLIES

METRIC SERIES  
K, K ZW SERIES



Shaft Dia.	F <sub>w</sub>	E <sub>w</sub>	B <sub>c</sub>	Assembly Designation	Load Ratings		Cage material <sup>(1)</sup> P/S	Speed Rating		Approx. Wt.	Mounting Dimension			
					Dynamic C	Static C <sub>0</sub>		Grease	Oil		S		H	
											Max.	Min.	Max.	Min.
mm in	mm in	mm in	mm in		kN lbf			min <sup>-1</sup>	kg lbs	mm in	mm in	mm in	mm in	
41 1.6142	41 1.6142	48 1.8898	31 1.22	K41X48X31HZW	38.0 8540	68.1 15310	S	6800 11000	0.067 0.148	41.000 1.6142	40.989 1.6137	48.025 1.8907	48.009 1.8901	
42 1.6535	42 1.6535	47 1.8504	13 0.512	K42X47X13H	18.7 4200	34.9 7850	S	6500 10000	0.027 0.060	42.000 1.6535	41.989 1.6531	47.025 1.8514	47.009 1.8507	
42 1.6535	42 1.6535	47 1.8504	17 0.669	K42X47X17H	22.8 5130	45.2 10160	S	6500 10000	0.028 0.062	42.000 1.6535	41.989 1.6531	47.025 1.8514	47.009 1.8507	
42 1.6535	42 1.6535	47 1.8504	27 1.063	K42X47X27H	33.8 7600	74.7 16790	S	6500 10000	0.041 0.090	42.000 1.6535	41.989 1.6531	47.025 1.8514	47.009 1.8507	
42 1.6535	42 1.6535	48 1.8898	24 0.945	K42X48X24F	33.1 7440	63.9 14370	S	6600 10000	0.046 0.101	42.000 1.6535	41.989 1.6531	48.025 1.8907	48.009 1.8901	
42 1.6535	42 1.6535	50 1.9685	13 0.512	K42X50X13H	20.9 4700	28.9 6500	S	6700 10000	0.035 0.077	42.000 1.6535	41.989 1.6531	50.025 1.9695	50.009 1.9689	
42 1.6535	42 1.6535	50 1.9685	20 0.787	K42X50X20H	35.2 7910	56.6 12720	S	6700 10000	0.054 0.119	42.000 1.6535	41.989 1.6531	50.025 1.9695	50.009 1.9689	
42 1.6535	42 1.6535	50 1.9685	30 1.181	K42X50X30H	51.3 11530	91.9 20660	S	6700 10000	0.080 0.176	42.000 1.6535	41.989 1.6531	50.025 1.9695	50.009 1.9689	
43 1.6929	43 1.6929	48 1.8898	17 0.669	K43X48X17FH	23.0 5170	45.8 10300	S	6400 9800	0.036 0.079	43.000 1.6929	42.989 1.6925	48.025 1.8907	48.009 1.8901	
43 1.6929	43 1.6929	48 1.8898	27 1.063	K43X48X27H	34.8 7820	78.0 17540	S	6400 9800	0.050 0.110	43.000 1.6929	42.989 1.6925	48.025 1.8907	48.009 1.8901	
44 1.7323	44 1.7323	50 1.9685	22 0.866	K44X50X22H	31.6 7100	60.6 13620	S	6400 9900	0.046 0.101	44.000 1.7323	43.989 1.7319	50.025 1.9695	50.009 1.9689	
44 1.7323	44 1.7323	50 1.9685	30 1.201	K44X50X30,5HZW	35.5 7980	70.5 15850	S	6400 9900	0.068 0.150	44.000 1.7323	43.989 1.7319	50.025 1.9695	50.009 1.9689	
45 1.7717	45 1.7717	50 1.9685	13 0.512	K45X50X13H	18.4 4140	35.1 7890	S	6100 9400	0.022 0.049	45.000 1.7717	44.989 1.7712	50.025 1.9695	50.009 1.9689	
45 1.7717	45 1.7717	50 1.9685	15 0.591	K45X50X15H	19.4 4360	37.3 8390	S	6100 9400	0.028 0.062	45.000 1.7717	44.989 1.7712	50.025 1.9695	50.009 1.9689	
45 1.7717	45 1.7717	50 1.9685	17 0.669	K45X50X17H	24.9 5600	51.8 11650	S	6100 9400	0.030 0.066	45.000 1.7717	44.989 1.7712	50.025 1.9695	50.009 1.9689	
45 1.7717	45 1.7717	50 1.9685	20 0.787	K45X50X20F	27.0 6070	57.4 12900	S	6100 9400	0.040 0.088	45.000 1.7717	44.989 1.7712	50.025 1.9695	50.009 1.9689	
45 1.7717	45 1.7717	50 1.9685	21 0.827	K45X50X21CH	24.6 5530	50.4 11330	S	6100 9400	0.036 0.079	45.000 1.7717	44.989 1.7712	50.025 1.9695	50.009 1.9689	

(1) Cage material: P: polymer cage, S: steel cage



Shaft Dia.	F <sub>w</sub>	E <sub>w</sub>	B <sub>c</sub>	Assembly Designation	Load Ratings		Cage material <sup>(1)</sup> P/S	Speed Rating		Approx. Wt.	Mounting Dimension			
					Dynamic C	Static C <sub>0</sub>		Grease	Oil		S		H	
											Max.	Min.	Max.	Min.
mm in	mm in	mm in	mm in		kN lbf			min <sup>-1</sup>	kg lbs	mm in	mm in	mm in	mm in	
45 1.7717	45 1.7717	50 1.9685	27 1.063	K45X50X27FH	34.2 7690	77.4 17400	S	6100 9400	0.043 0.095	45.000 1.7717	44.989 1.7712	50.025 1.9695	50.009 1.9689	
45 1.7717	45 1.7717	50 1.9685	27 1.063	K45X50X27TN	31.8 7150	70.7 15890	P	6100 9400	0.048 0.106	45.000 1.7717	44.989 1.7712	50.025 1.9695	50.009 1.9689	
45 1.7717	45 1.7717	52 2.0472	18 0.709	K45X52X18H	30.1 6770	52.0 11690	S	6200 9500	0.045 0.099	45.000 1.7717	44.989 1.7712	52.029 2.0484	52.010 2.0476	
45 1.7717	45 1.7717	52 2.0472	21 0.827	K45X52X21F	35.0 7870	63.2 14210	S	6200 9500	0.055 0.121	45.000 1.7717	44.989 1.7712	52.029 2.0484	52.010 2.0476	
45 1.7717	45 1.7717	53 2.0866	20 0.787	K45X53X20H	36.0 8090	59.5 13380	S	6200 9600	0.054 0.119	45.000 1.7717	44.989 1.7712	53.029 2.0878	53.010 2.0870	
45 1.7717	45 1.7717	53 2.0866	24.8 0.976	K45X53X25H	45.9 10320	81.5 18320	S	6200 9600	0.072 0.159	45.000 1.7717	44.989 1.7712	53.029 2.0878	53.010 2.0870	
45 1.7717	45 1.7717	53 2.0866	25 0.984	K45X53X25F	42.5 9550	73.7 16570	S	6200 9600	0.075 0.165	45.000 1.7717	44.989 1.7712	53.029 2.0878	53.010 2.0870	
45 1.7717	45 1.7717	53 2.0866	28 1.102	K45X53X28H	49.3 11080	89.2 20050	S	6200 9600	0.078 0.172	45.000 1.7717	44.989 1.7712	53.029 2.0878	53.010 2.0870	
45 1.7717	45 1.7717	55 2.1654	20 0.787	K45X55X20H	42.0 9440	62.2 13980	S	6400 9800	0.074 0.163	45.000 1.7717	44.989 1.7712	55.029 2.1665	55.010 2.1657	
45 1.7717	45 1.7717	59 2.3228	18 0.709	K45X59X18H	47.8 10750	58.9 13240	S	6600 10000	0.107 0.236	45.000 1.7717	44.989 1.7712	59.029 2.3240	59.010 2.3232	
45 1.7717	45 1.7717	59 2.3228	18 0.709	K45X59X18TN	45.7 10270	55.4 12450	P	6600 10000	0.097 0.214	45.000 1.7717	44.989 1.7712	59.029 2.3240	59.010 2.3232	
45 1.7717	45 1.7717	59 2.3228	36 1.417	K45X59X36H	82.4 18520	118 26530	S	6600 10000	0.181 0.399	45.000 1.7717	44.989 1.7712	59.029 2.3240	59.010 2.3232	
45 1.7717	45 1.7717	60 2.3622	30 1.181	K45X60X30H	75.5 16970	101 22710	S	6600 10000	0.171 0.377	45.000 1.7717	44.989 1.7712	60.029 2.3633	60.010 2.3626	
45 1.7717	45 1.7717	60 2.3622	45 1.772	K45X60X45H	108 24280	160 35970	S	6600 10000	0.280 0.617	45.000 1.7717	44.989 1.7712	60.029 2.3633	60.010 2.3626	
46 1.8110	46 1.811	53 2.0866	36 1.417	K46X53X36HZW	48.6 10930	96.7 21740	S	6100 9300	0.100 0.220	46.000 1.8110	45.989 1.8106	53.029 2.0878	53.010 2.0870	
47 1.8504	47 1.8504	52 2.0472	15 0.591	K47X52X15FH	20.1 4520	39.8 8950	S	5800 8900	0.030 0.066	47.000 1.8504	46.989 1.8500	52.029 2.0484	52.010 2.0476	
47 1.8504	47 1.8504	52 2.0472	17 0.669	K47X52X17H	24.2 5440	50.4 11330	S	5800 8900	0.032 0.071	47.000 1.8504	46.989 1.8500	52.029 2.0484	52.010 2.0476	

Continued on next page.



SINGLE-ROW, DOUBLE-ROW ASSEMBLIES

METRIC SERIES K, K ZW SERIES

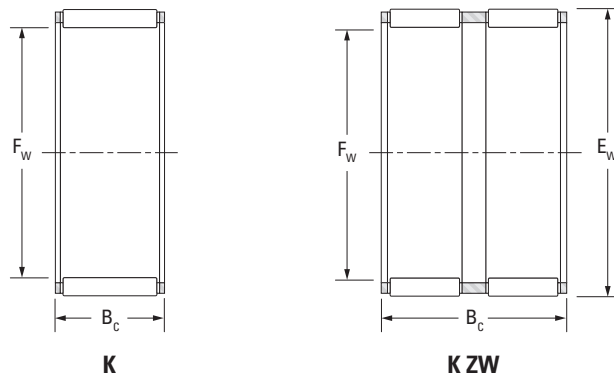


Table with 14 columns: Shaft Dia., Fw, Ew, Bc, Assembly Designation, Load Ratings (Dynamic, Static), Cage material, Speed Rating (Grease, Oil), Approx. Wt., Mounting Dimension (S, H). Rows list various bearing models like K47X52X27H, K47X55X28FV1, etc.

(1) Cage material: P: polymer cage, S: steel cage

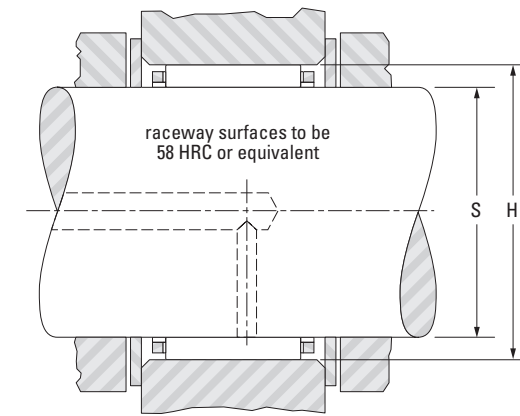


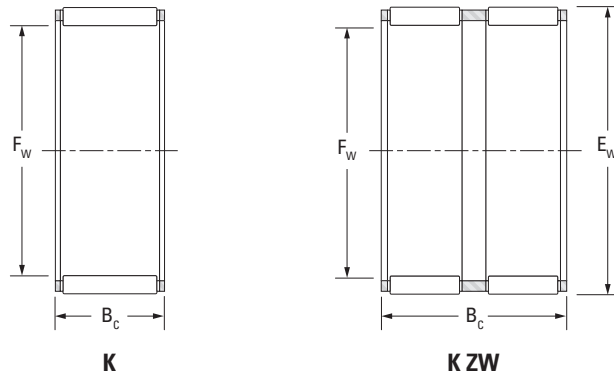
Table with 14 columns: Shaft Dia., Fw, Ew, Bc, Assembly Designation, Load Ratings (Dynamic, Static), Cage material, Speed Rating (Grease, Oil), Approx. Wt., Mounting Dimension (S, H). Rows list various bearing models like K50X70X32H, K52X57X12, etc.

Continued on next page.



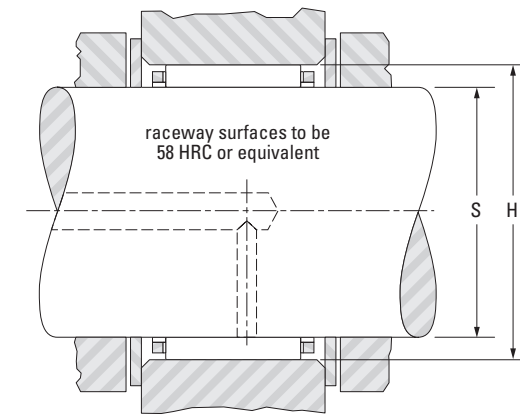
SINGLE-ROW,  
DOUBLE-ROW  
ASSEMBLIES

METRIC SERIES  
K, K ZW SERIES



Shaft Dia.	F <sub>w</sub>	E <sub>w</sub>	B <sub>c</sub>	Assembly Designation	Load Ratings		Cage material <sup>(1)</sup> P/S	Speed Rating		Approx. Wt.	Mounting Dimension			
					Dynamic	Static		Grease	Oil		S		H	
					C	C <sub>0</sub>					Max.	Min.	Max.	Min.
mm in	mm in	mm in	mm in		kN lbf			min <sup>-1</sup>	kg lbs	mm in	mm in	mm in	mm in	
60 2.3622	60 2.3622	65 2.5591	20 0.787	K60X65X20H	31.9 7170	78.1 17600	S	4500 6900	0.046 0.101	60.000 2.3622	59.987 2.3617	65.029 2.5602	65.010 2.5594	
	60 2.3622	65 2.5591	26.8 1.055	K60X65X27FH	39.5 8880	103 23200	S	4500 6900	0.059 0.130	60.000 2.3622	59.987 2.3617	65.029 2.5602	65.010 2.5594	
	60 2.3622	65 2.5591	29.8 1.173	K60X65X30FH	42.9 9640	114 25600	S	4500 6900	0.085 0.187	60.000 2.3622	59.987 2.3617	65.029 2.5602	65.010 2.5594	
	60 2.3622	65 2.5591	30 1.181	K60X65X30	42.9 9640	114 25600	S	4500 6900	0.070 0.154	60.000 2.3622	59.987 2.3617	65.029 2.5602	65.010 2.5594	
	60 2.3622	68 2.6772	17 0.669	K60X68X17F	34.2 7690	61.4 13800	S	4600 7100	0.066 0.146	60.000 2.3622	59.987 2.3617	68.029 2.6783	68.010 2.6776	
	60 2.3622	68 2.6772	20 0.787	K60X68X20H	41.8 9400	79.2 17800	S	4600 7100	0.066 0.146	60.000 2.3622	59.987 2.3617	68.029 2.6783	68.010 2.6776	
	60 2.3622	68 2.6772	23 0.906	K60X68X23H	49.0 11000	97.2 21900	S	4600 7100	0.089 0.196	60.000 2.3622	59.987 2.3617	68.029 2.6783	68.010 2.6776	
	60 2.3622	68 2.6772	25 0.984	K60X68X25	51.6 11600	104 23400	S	4600 7100	0.091 0.201	60.000 2.3622	59.987 2.3617	68.029 2.6783	68.010 2.6776	
	60 2.3622	68 2.6772	30 1.181	K60X68X30ZW	46.4 10400	90.1 20300	S	4600 7100	0.119 0.262	60.000 2.3622	59.987 2.3617	68.029 2.6783	68.010 2.6776	
63 2.4803	63 2.4803	71 2.7953	20 0.787	K63X71X20	41.4 9310	79.4 17800	S	4400 6700	0.070 0.154	63.000 2.4803	62.987 2.4798	71.029 2.7964	71.010 2.7957	
64 2.5197	64 2.5197	70 2.7559	16 0.63	K64X70X16	26.4 5930	55.1 12400	S	4200 6500	0.049 0.108	64.000 2.5197	63.987 2.5192	70.029 2.7570	70.010 2.7563	
65 2.5591	65 2.5591	70 2.7559	20 0.787	K65X70X20CH	28.6 6430	69.2 15600	S	4100 6400	0.050 0.110	65.000 2.5591	64.987 2.5585	70.029 2.7570	70.010 2.7563	
	65 2.5591	70 2.7559	30 1.181	K65X70X30	44.4 9980	123 27700	S	4100 6400	0.075 0.165	65.000 2.5591	64.987 2.5585	70.029 2.7570	70.010 2.7563	
	65 2.5591	73 2.874	23 0.906	K65X73X23H	48.2 10800	97.7 22000	S	4200 6500	0.091 0.201	65.000 2.5591	64.987 2.5585	73.029 2.8752	73.010 2.8744	
	65 2.5591	73 2.874	30 1.181	K65X73X30H	60.1 13500	129 29100	S	4200 6500	0.116 0.256	65.000 2.5591	64.987 2.5585	73.029 2.8752	73.010 2.8744	
68 2.6772	68 2.6772	74 2.9134	20 0.787	K68X74X20FH	37.5 8430	88.1 19800	S	4000 6100	0.062 0.137	68.000 2.6772	67.987 2.6767	74.029 2.9145	74.010 2.9138	
	68 2.6772	74 2.9134	28 1.102	K68X74X28CH	44.8 10100	110 24700	S	4000 6100	0.082 0.181	68.000 2.6772	67.987 2.6767	74.029 2.9145	74.010 2.9138	

(1) Cage material: P: polymer cage, S: steel cage



Shaft Dia.	F <sub>w</sub>	E <sub>w</sub>	B <sub>c</sub>	Assembly Designation	Load Ratings		Cage material <sup>(1)</sup> P/S	Speed Rating		Approx. Wt.	Mounting Dimension			
					Dynamic	Static		Grease	Oil		S		H	
					C	C <sub>0</sub>					Max.	Min.	Max.	Min.
mm in	mm in	mm in	mm in		kN lbf			min <sup>-1</sup>	kg lbs	mm in	mm in	mm in	mm in	
68 2.6772	68 2.6772	74 2.9134	30 1.181	K68X74X30H	47.6 10700	119 26800	S	4000 6100	0.098 0.216	68.000 2.6772	67.987 2.6767	74.029 2.9145	74.010 2.9138	
	68 2.6772	74 2.9134	35 1.378	K68X74X35HZW	45.1 10100	111 25000	S	4000 6100	0.120 0.265	68.000 2.6772	67.987 2.6767	74.029 2.9145	74.010 2.9138	
	68 2.6772	76 2.9921	20 0.787	K68X76X20	43.8 9850	87.8 19700	S	4000 6200	0.086 0.190	68.000 2.6772	67.987 2.6767	76.029 2.9933	76.010 2.9925	
70 2.7559	70 2.7559	76 2.9921	20 0.787	K70X76X20	36.1 8120	84.7 19000	S	3900 5900	0.065 0.143	70.000 2.7559	69.987 2.7554	76.029 2.9933	76.010 2.9925	
	70 2.7559	76 2.9921	30 1.181	K70X76X30	51.6 11600	134.0 30100	S	3900 5900	0.097 0.214	70.000 2.7559	69.987 2.7554	76.029 2.9933	76.010 2.9925	
	70 2.7559	78 3.0709	20 0.787	K70X78X20H	43.6 9800	87.9 19800	S	3900 6000	0.090 0.198	70.000 2.7559	69.987 2.7554	78.029 3.0720	78.010 3.0713	
	70 2.7559	78 3.0709	23 0.906	K70X78X23F	49.8 11200	104.0 23400	S	3900 6000	0.115 0.254	70.000 2.7559	69.987 2.7554	78.029 3.0720	78.010 3.0713	
	70 2.7559	78 3.0709	24.8 0.976	K70X78X25F	49.8 11200	104.0 23400	S	3900 6000	0.115 0.254	70.000 2.7559	69.987 2.7554	78.029 3.0720	78.010 3.0713	
	70 2.7559	78 3.0709	30 1.181	K70X78X30H	62.2 14000	139.0 31200	S	3900 6000	0.140 0.309	70.000 2.7559	69.987 2.7554	78.029 3.0720	78.010 3.0713	
	70 2.7559	78 3.0709	46 1.811	K70X78X46ZW	78.4 17600	187.0 42000	S	3900 6000	0.188 0.414	70.000 2.7559	69.987 2.7554	78.029 3.0720	78.010 3.0713	
	70 2.7559	85 3.3465	40 1.575	K70X85X40F	118 26500	203 45600	S	4100 6300	0.338 0.745	70.000 2.7559	69.987 2.7554	85.034 3.3478	85.012 3.3469	
	70 2.7559	88 3.4646	30 1.181	K70X88X30H	115 25900	175 39300	S	4100 6400	0.205 0.452	70.000 2.7559	69.987 2.7554	88.034 3.4659	88.012 3.4650	
72 2.8346	72 2.8346	80 3.1496	20 0.787	K72X80X20	44.4 9980	90.7 20400	S	3800 5800	0.084 0.185	72.000 2.8346	71.987 2.8341	80.029 3.1507	80.010 3.1500	
73 2.8740	73 2.874	79 3.1102	20 0.787	K73X79X20	37.0 8320	88.7 19900	S	3700 5700	0.068 0.150	73.000 2.8740	72.987 2.8735	79.029 3.1114	79.010 3.1106	
75 2.9528	75 2.9528	81 3.189	20 0.787	K75X81X20F	37.4 8410	90.7 20400	S	3600 5500	0.075 0.165	75.000 2.9528	74.987 2.9522	81.034 3.1903	81.012 3.1894	
	75 2.9528	83 3.2677	23 0.906	K75X83X23	52.5 11800	114.0 25600	S	3600 5600	0.104 0.229	75.000 2.9528	74.987 2.9522	83.034 3.2691	83.012 3.2682	
	75 2.9528	83 3.2677	30 1.181	K75X83X30	60.9 13700	138 31000	S	3600 5600	0.141 0.311	75.000 2.9528	74.987 2.9522	83.034 3.2691	83.012 3.2682	

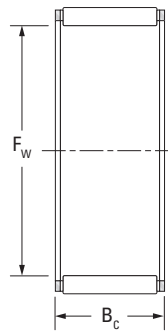
Continued on next page.



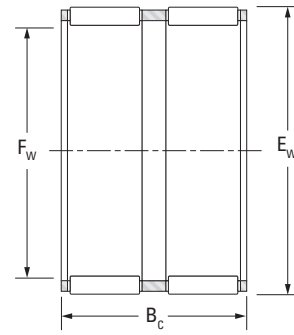


SINGLE-ROW,  
DOUBLE-ROW  
ASSEMBLIES

METRIC SERIES  
K, K ZW SERIES



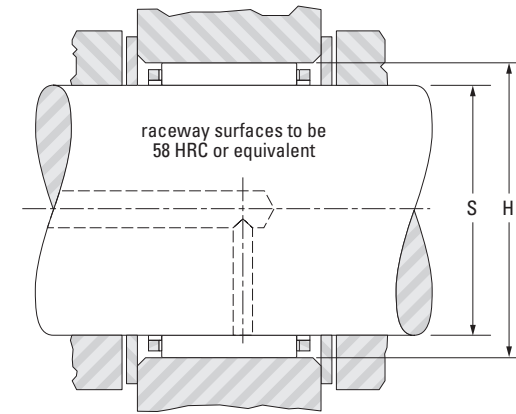
K



K ZW

Shaft Dia.	F <sub>w</sub>	E <sub>w</sub>	B <sub>c</sub>	Assembly Designation	Load Ratings		Cage material <sup>(1)</sup> P/S	Speed Rating		Approx. Wt.	Mounting Dimension			
					Dynamic	Static		Grease	Oil		S		H	
					C	C <sub>0</sub>					Max.	Min.	Max.	Min.
mm in	mm in	mm in	mm in		kN lbf			min <sup>-1</sup>	kg lbs	mm in	mm in	mm in	mm in	
75 2.9528	75 2.9528	83 3.2677	30 1.181	K75X83X30FH	60.9 13700	138 31000	S	3600	5600	0.141 0.311	75.000 2.9528	74.987 2.9522	83.034 3.2691	83.012 3.2682
80 3.1496	80 3.1496	86 3.3858	20 0.787	K80X86X20H	38.6 8680	96.7 21700	S	3400	5200	0.072 0.159	80.000 3.1496	79.987 3.1491	86.034 3.3872	86.012 3.3863
	80 3.1496	88 3.4646	25 0.984	K80X88X25FV1	54.0 12100	121 27200	S	3400	5200	0.134 0.295	80.000 3.1496	79.987 3.1491	88.034 3.4659	88.012 3.4650
	80 3.1496	88 3.4646	30 1.181	K80X88X30	67.5 15200	161 36200	S	3400	5200	0.153 0.337	80.000 3.1496	79.987 3.1491	88.034 3.4659	88.012 3.4650
85 3.3465	85 3.3465	92 3.622	20 0.787	K85X92X20H	39.9 8970	91.7 20600	S	3200	4900	0.085 0.187	84.988 3.3460	84.973 3.3454	92.034 3.6234	92.012 3.6225
	85 3.3465	93 3.6614	25 0.984	K85X93X25F	58.8 13219	138 31024	S	3200	4900	0.000 0.000	84.988 3.3460	84.973 3.3454	93.034 3.6628	93.012 3.6619
	85 3.3465	93 3.6614	30 1.181	K85X93X30H	31024 15600	3200 38200	S	4900	4900	0.166 0.366	84.988 3.3460	84.973 3.3454	93.034 3.6628	93.012 3.6619
90 3.5433	90 3.5433	97 3.8189	20 0.787	K90X97X20	46.3 10400	114 25600	S	3000	4600	0.095 0.209	89.988 3.5428	89.973 3.5422	97.034 3.8202	97.012 3.8194
	90 3.5433	98 3.8583	25 0.984	K90X98X25F	54.8 12300	128 28800	S	3000	4600	0.134 0.295	89.988 3.5428	89.973 3.5422	98.034 3.8596	98.012 3.8587
	90 3.5433	98 3.8583	30 1.181	K90X98X30	63.6 14300	155 34800	S	3000	4600	0.168 0.370	89.988 3.5428	89.973 3.5422	98.034 3.8596	98.012 3.8587
95 3.7402	95 3.7402	103 4.0551	20 0.787	K95X103X20	49.3 11100	114 25600	S	2800	4400	0.130 0.287	94.988 3.7397	94.973 3.7391	103.034 4.0565	103.012 4.0556
	95 3.7402	103 4.0551	30 1.181	K95X103X30F	71.0 16000	183 41100	S	2800	4400	0.180 0.39	94.988 3.7397	94.973 3.7391	103.034 4.0565	103.012 4.0556
100 3.9370	100 3.937	108 4.252	30 1.181	K100X108X30	72.4 16300	191 42900	S	2700	4200	0.210 0.463	99.988 3.9365	99.973 3.9359	108.034 4.2533	108.012 4.2524
110 4.3307	110 4.3307	118 4.6457	24 0.945	K110X118X24	64.0 14400	168 37800	S	2400	3800	0.165 0.364	109.988 4.3302	109.973 4.3296	118.034 4.6470	118.012 4.6461
	110 4.3307	118 4.6457	30 1.181	K110X118X30H	75.3 16900	207 46500	S	2400	3800	0.200 0.441	109.988 4.3302	109.973 4.3296	118.034 4.6470	118.012 4.6461

(1) Cage material: P: polymer cage, S: steel cage



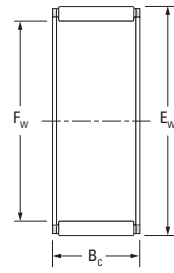
raceway surfaces to be  
58 HRC or equivalent

S  
H

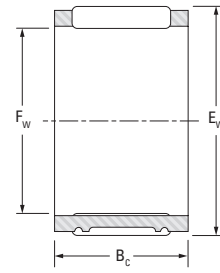


SINGLE-ROW,  
DOUBLE-ROW  
ASSEMBLIES

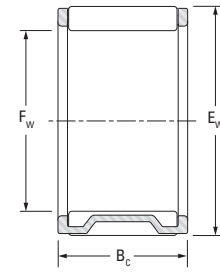
METRIC SERIES  
R, RF, RFN, RP, RS, RV,  
V, VS, WR, WRF, WRP,  
WRS SERIES



RF, RFN



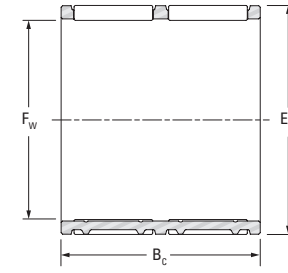
RS, R, RP



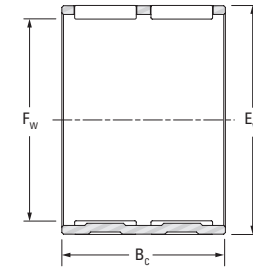
RV, V, VS

Shaft Dia.	F <sub>w</sub>	E <sub>w</sub>	B <sub>c</sub>	Assembly Designation	Load Ratings		Cage material <sup>(1)</sup> P/S	Speed Rating		Approx. Wt.	Mounting Dimension			
					Dynamic	Static		Grease	Oil		S		H	
					C	C <sub>0</sub>					Max.	Min.	Max.	Min.
<b>12</b> 0.4724	12	16	20	12R1620A	9.8	11.9	S	20000	30000	0.010	12.000	11.992	16.017	16.006
	12	17	11.5	RV121712A-2	8.25	8.4	S	16000	25000	0.007	12.000	11.992	17.017	17.006
<b>13</b> 0.5118	13	17	10	RS131710-2	5.85	6.35	S	23000	29000	0.006	13.000	12.992	17.017	17.006
	13	17	12	RS131712	7.25	8.35	S	23000	29000	0.007	13.000	12.992	17.017	17.006
<b>15</b> 0.5906	15	19	10	R15/10-1	6.75	7.9	S	18000	28000	0.006	15.000	14.992	19.02	19.007
	15	19	20	R15/20	13	18.4	S	18000	28000	0.012	15.000	14.992	19.02	19.007
	15	21	9	RV152109-4	7.65	7.15	S	14000	21000	0.008	15.000	14.992	21.02	21.007
<b>17</b> 0.6693	17	21	13	R17/13	9.4	12.6	S	17000	26000	0.009	17.000	16.992	21.02	21.007
	17	23	13	RS17/13	11.4	12.4	S	18000	27000	0.014	17.000	16.992	23.02	23.007
<b>18</b> 0.7087	18	22	16	R18/16-8	11.6	16.8	S	16000	24000	0.011	18.000	17.992	22.02	22.007
	18	22	17	R18/17	12.4	18.2	S	16000	24000	0.012	18.000	17.992	22.02	22.007
	18	24	17	RS182417	15.1	17.9	S	16000	25000	0.019	18.000	17.992	24.02	24.007
	18	26	21.9	RF182622A-1	19.1	20.3	P	17000	26000	0.019	18.000	17.992	26.02	26.007
	18	26	21.9	RV182622A-2	22.7	25.5	S	17000	26000	0.031	18.000	17.992	26.02	26.007
	18	27	11	RF182711-1	15.5	14.6	P	18000	27000	0.014	18.000	17.992	27.02	27.007
<b>20</b> 0.7874	20	24	10	R20/10	7.75	10.3	S	14000	22000	0.008	20.000	19.991	24.02	24.007
	20	25	25	RF202525	19.1	28.2	P	14000	22000	0.014	20.000	19.991	25.02	25.007

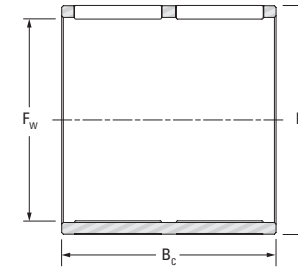
(1) Cage material: P: polymer cage, S: steel cage



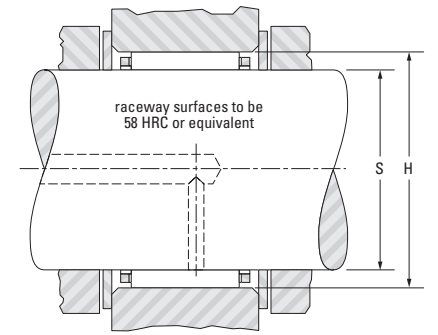
WR, WRS



WRP



WRF



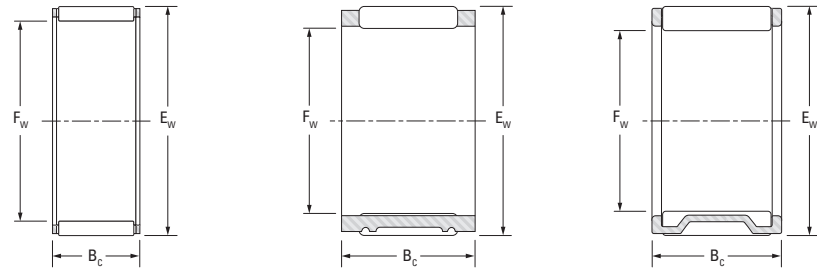
Shaft Dia.	F <sub>w</sub>	E <sub>w</sub>	B <sub>c</sub>	Assembly Designation	Load Ratings		Cage material <sup>(1)</sup> P/S	Speed Rating		Approx. Wt.	Mounting Dimension			
					Dynamic	Static		Grease	Oil		S		H	
					C	C <sub>0</sub>					Max.	Min.	Max.	Min.
<b>20</b> 0.7874	20	25	26	20WR2526	17.1	24.4	S	14000	22000	0.027	20.000	19.991	25.02	25.007
	20	26	11.6	20VS2612	10.8	11.9	S	15000	23000	0.012	20.000	19.991	26.02	26.007
	20	26	12	RV202612-4	13.1	15.4	S	15000	23000	0.014	20.000	19.992	26.02	26.007
	20	27	15	20V2715	17.4	20.1	S	15000	23000	0.019	20.000	19.991	27.02	27.007
	20	28	20	RP202820	24.3	28.5	S	15000	23000	0.028	20.000	19.992	28.02	28.007
<b>22</b> 0.8661	22	26	17	R22/17	13.5	21.7	S	13000	20000	0.014	22.000	21.991	26.02	26.007
	22	28	17	RS22/17	17.1	22.3	S	13000	20000	0.022	22.000	21.991	28.02	28.007
	22	28	23	VS22/23B	25.2	36.8	S	13000	20000	0.025	22.000	21.991	28.02	28.007
	22	30	20	RV223020-1	24.2	29	S	14000	21000	0.031	22.000	21.991	30.02	30.007
	22	32	11	RF223211-1	19.5	19.3	P	14000	22000	0.019	22.000	21.991	32.025	32.009
	22	32	15	RV223215	21.8	22.1	S	14000	22000	0.032	22.000	21.991	32.025	32.009
	22	32	16	RV223216	21.8	22.1	S	14000	22000	0.035	22.000	21.991	32.025	32.009
<b>23</b> 0.9055	23	33	20	23V3320-1	27.6	30.2	S	13000	20000	0.044	23.000	22.991	33.025	33.009
<b>24</b> 0.9449	24	28	13	RS242813-1	11.2	17.6	S	12000	18000	0.012	24.000	23.991	28.02	28.007
	24	28	17	R24/17A	14.2	23.9	S	12000	18000	0.016	24.000	23.991	28.02	28.007
	24	28	34	WR24/34	22	41.6	S	12000	18000	0.031	24.000	23.991	28.02	28.007
	24	32	15	RV243215-4	20.2	23.4	S	12000	19000	0.027	24.000	23.991	32.025	32.009

Continued on next page.



SINGLE-ROW,  
DOUBLE-ROW  
ASSEMBLIES

METRIC SERIES  
R, RF, RFN, RP, RS, RV,  
V, VS, WR, WRF, WRP,  
WRS SERIES



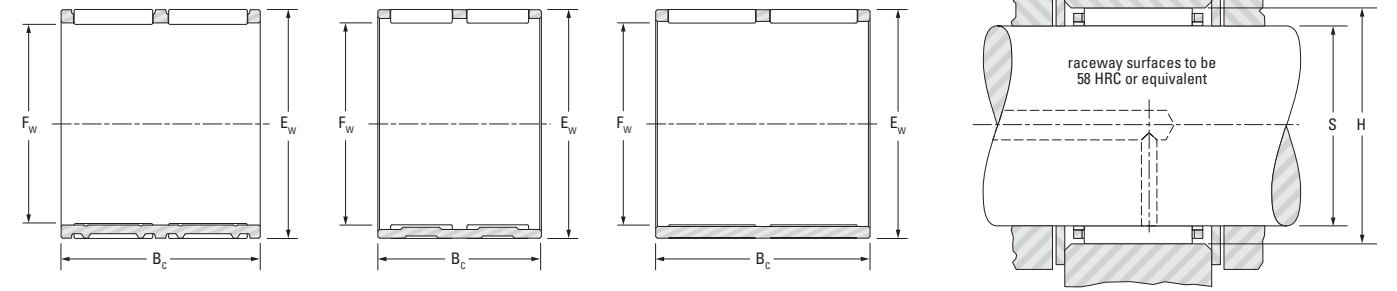
RF, RFN

RS, R, RP

RV, V, VS

Shaft Dia.	F <sub>w</sub>	E <sub>w</sub>	B <sub>c</sub>	Assembly Designation	Load Ratings		Cage material <sup>(1)</sup> P/S	Speed Rating		Approx. Wt.	Mounting Dimension			
					Dynamic	Static		Grease	Oil		S		H	
					C	C <sub>0</sub>					Max.	Min.	Max.	Min.
mm in	mm in	mm in	mm in		kN lbf			min <sup>-1</sup>	kg lbs	mm in	mm in	mm in	mm in	
24.9 0.9803	24.9	29.9	26.8	RFU253027A	20.3	32.3	P	12000	18000	0.017	24.900	24.891	29.92	29.907
25 0.9843	25	29	9.9	R25/10A	7.25	10.1	S	11000	17000	0.010	25.000	24.991	29.02	29.007
	25	29	17	RF252917	14	23.7	P	11000	17000	0.009	25.000	24.991	29.02	29.007
	25	29	22	WR25/22	17	30.5	S	11000	17000	0.022	25.000	24.991	29.02	29.007
	25	30	12	25R3012	11.4	15.6	S	11000	17000	0.015	25.000	24.991	30.02	30.007
	25	30	20	RFU253020	17.7	27.4	P	11000	17000	0.014	25.000	24.991	30.02	30.007
	25	30	26	25WR3026	22.4	37.2	S	11000	17000	0.032	25.000	24.991	30.02	30.007
	25	31	24	25R3124	26	39.7	S	12000	18000	0.035	25.000	24.991	31.025	31.009
	25	32	16	25V3216	19.5	24.7	S	12000	18000	0.025	25.000	24.991	32.025	32.009
	25	32	32	RV253232	40	62.5	S	12000	18000	0.049	25.000	24.991	32.025	32.009
	25	33	23.8	25R3324B-1	31.9	42.8	S	12000	18000	0.048	25.000	24.991	33.025	33.009
	25	33	30	RF253330	38.7	54.8	P	12000	18000	0.041	25.000	24.991	33.025	33.009
	25	34	32	RV253432	46.1	63.9	S	12000	18000	0.066	25.000	24.991	34.025	34.009
	25	35	25	25R3525	34.7	41.4	S	12000	19000	0.065	25.000	24.991	35.025	35.009
	25	37	24	25V3724	34.4	36.6	S	12000	19000	0.072	25.000	24.991	37.025	37.009
	25	37	25	25V3725A	38.9	43.1	S	12000	19000	0.077	25.000	24.991	37.025	37.009
	25	37	33	RV253733	48.2	56.7	S	12000	19000	0.100	25.000	24.991	37.025	37.009

(1) Cage material: P: polymer cage, S: steel cage



WR, WRS

WRP

WRF

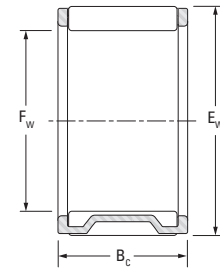
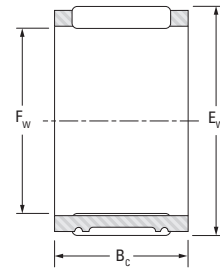
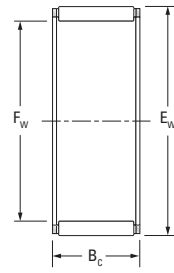
Shaft Dia.	F <sub>w</sub>	E <sub>w</sub>	B <sub>c</sub>	Assembly Designation	Load Ratings		Cage material <sup>(1)</sup> P/S	Speed Rating		Approx. Wt.	Mounting Dimension			
					Dynamic	Static		Grease	Oil		S		H	
					C	C <sub>0</sub>					Max.	Min.	Max.	Min.
mm in	mm in	mm in	mm in		kN lbf			min <sup>-1</sup>	kg lbs	mm in	mm in	mm in	mm in	
26 1.0236	26	30	17	RFU263017	13.9	23.7	P	10000	16000	0.009	26.000	25.991	30.02	30.007
	26	30	20	RS263020	17.1	31.1	S	10000	16000	0.020	26.000	25.991	30.02	30.007
	26	30	21.9	RS263022A	16.9	30.4	S	10000	16000	0.022	26.000	25.991	30.02	30.007
	26	31	24	26WR3124-2	22.2	37.1	S	11000	17000	0.030	26.000	25.991	31.025	31.009
	26	33	34	RPU263334F	30.7	44.3	S	11000	17000	0.043	26.000	25.991	33.025	33.009
27 1.0630	27	31	23.8	WRS273124A	19.1	36.2	S	10000	16000	0.025	27.000	26.991	31.025	31.009
28 1.1024	28	32	26	28R3226	17.1	31.5	S	10000	15000	0.027	28.000	27.991	32.025	32.009
	28	32	27	RF283227	22	43.9	P	10000	15000	0.017	28.000	27.991	32.025	32.009
	28	33	17	28R3317	18.8	30.7	S	10000	15000	0.022	28.000	27.991	33.025	33.009
	28	33	20	RF283320	19.5	32.2	P	10000	15000	0.016	28.000	27.991	33.025	33.009
	28	33	27	R28/27	25.8	46.2	S	10000	15000	0.036	28.000	27.991	33.025	33.009
	28	34	19.8	RFU283420	20.2	29.6	P	10000	16000	0.018	28.000	27.991	34.025	34.009
	28	35	37.5	RPU283538A	37	57.9	S	10000	16000	0.048	28.000	27.991	35.025	35.009
	28	38	20	28VU3820	23.7	25.8	S	10000	16000	0.048	28.000	27.991	38.025	38.009
	28	38	24	RS283824	31.7	37.9	S	10000	16000	0.070	28.000	27.991	38.025	38.009
	28	41	25	RV284125	40.9	44.6	S	11000	17000	0.088	28.000	27.991	41.025	41.009
	28	42	50.5	RF284251A	89.5	118	P	11000	17000	0.182	28.000	27.991	42.025	42.009

Continued on next page.



SINGLE-ROW,  
DOUBLE-ROW  
ASSEMBLIES

METRIC SERIES  
R, RF, RFN, RP, RS, RV,  
V, VS, WR, WRF, WRP,  
WRS SERIES



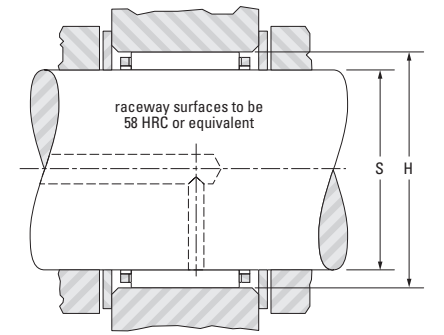
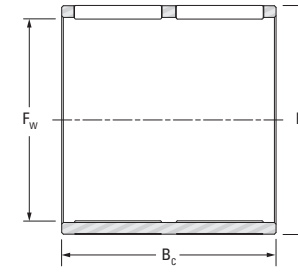
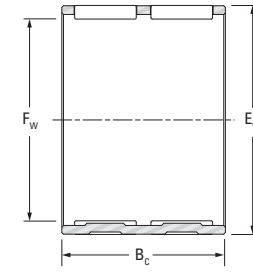
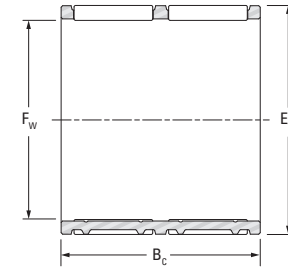
RF, RFN

RS, R, RP

RV, V, VS

Shaft Dia.	F <sub>w</sub>	E <sub>w</sub>	B <sub>c</sub>	Assembly Designation	Load Ratings		Cage material <sup>(1)</sup> P/S	Speed Rating		Approx. Wt.	Mounting Dimension				
					Dynamic	Static		Grease	Oil		S		H		
			-0.20 -0.008 -0.55 -0.022		C	C <sub>0</sub>				Max.	Min.	Max.	Min.		
mm in	mm in	mm in	mm in		kN lbf		min <sup>-1</sup>	kg lbs	mm in	mm in	mm in	mm in			
29 1.1417	29	34	22	R29/22A	17.9	28.9	S	10000	15000	0.030	29.000	28.991	34.025	34.009	
	29	34	24.4	RFU293424A-1	19.9	33.2	P	10000	15000	0.017	29.000	28.991	34.025	34.009	
	29	34	27	29R3427A-1	26.6	48.4	S	10000	15000	0.037	29.000	28.991	34.025	34.009	
30 1.1811	29	43	43	RV294343	74.4	93.3	S	10000	16000	0.177	29.000	28.991	43.025	43.009	
	30	34	29	30WR3429A	15.2	27.3	S	9100	14000	0.032	30.000	29.991	34.025	34.009	
	30	34	29	RF303429	20.6	41.2	P	9100	14000	0.016	30.000	29.991	34.025	34.009	
30	30	35	16	RS303516	18	29.7	S	9100	14000	0.023	30.000	29.991	35.025	35.009	
	30	35	17	R30/17-1	18	29.7	S	9100	14000	0.024	30.000	29.991	35.025	35.009	
	30	35	21.1	RS303521A	22.4	39.5	S	9100	14000	0.030	30.000	29.991	35.025	35.009	
30	30	35	24	RS303524	24.8	44.8	S	9100	14000	0.034	30.000	29.991	35.025	35.009	
	30	37	16	RV303716	21.9	30.3	S	10000	15000	0.029	30.000	29.991	37.025	37.009	
	30	37	26	RV303726	35.2	55.8	S	10000	15000	0.047	30.000	29.991	37.025	37.009	
30	30	37	32	WRS30/32B	35	55.3	S	10000	15000	0.066	30.000	29.991	37.025	37.009	
	30	40	15.5	RV304016A-4	27.5	32.3	S	10000	15000	0.046	30.000	29.991	40.025	40.009	
	30	42	32	30V4232	53.3	67.1	S	10000	16000	0.108	30.000	29.991	42.025	42.009	
30	30	45	30	30V4530	55.1	61.2	S	10000	16000	0.134	30.000	29.991	45.025	45.009	
	31	31	36	20.3	RFU313620A-1	20.1	34.7	P	9100	14000	0.017	31.000	30.989	36.025	36.009

(1) Cage material: P: polymer cage, S: steel cage



WR, WRS

WRP

WRF

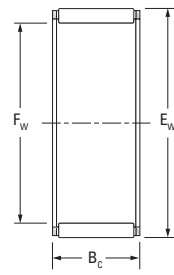
Shaft Dia.	F <sub>w</sub>	E <sub>w</sub>	B <sub>c</sub>	Assembly Designation	Load Ratings		Cage material <sup>(1)</sup> P/S	Speed Rating		Approx. Wt.	Mounting Dimension				
					Dynamic	Static		Grease	Oil		S		H		
			-0.20 -0.008 -0.55 -0.022		C	C <sub>0</sub>				Max.	Min.	Max.	Min.		
mm in	mm in	mm in	mm in		kN lbf		min <sup>-1</sup>	kg lbs	mm in	mm in	mm in	mm in			
31 1.2205	31	36	24.4	RFU313624A	21.3	37.1	P	9100	14000	0.019	31.000	30.989	36.025	36.009	
	32	37	17	R32/17-1	18.9	32.4	S	8500	13000	0.026	32.000	31.989	37.025	37.009	
32	32	37	35	WRS323735	34.6	70.4	S	8500	13000	0.053	32.000	31.989	37.025	37.009	
	32	38	26	RP323826	27.6	46.1	S	9100	14000	0.034	32.000	31.989	38.025	38.009	
	32	39	16	RS323916	20.8	28.9	S	9100	14000	0.035	32.000	31.989	39.025	39.009	
32	32	39	42	RVU323942	41.3	69.3	S	9100	14000	0.078	32.000	31.989	39.025	39.009	
	32	42	16	RV324216	28.4	34.1	S	9100	14000	0.049	32.000	31.989	42.025	42.009	
	32	42	20.5	RV324221-1	34.3	43.4	S	9100	14000	0.060	32.000	31.989	42.025	42.009	
32	32	45	28	32V4528	48.7	57.6	S	10000	15000	0.112	32.000	31.989	45.025	45.009	
	32	46	18	RV324618-1	31.1	30.8	S	10000	15000	0.075	32.000	31.989	46.025	46.009	
	33	33	37	26	RF333726	23	49.1	P	8500	13000	0.018	33.000	32.989	37.025	37.009
34	34	39	20.3	RFU343920A	19.8	34.9	P	8500	13000	0.018	34.000	33.989	39.025	39.009	
	34	39	62.1	WRFU343962A	46.6	105	P	8500	13000	0.052	34.000	33.989	39.025	39.009	
34	34	42	38	34R4238	51.1	85.1	S	8500	13000	0.098	34.000	33.989	42.025	42.009	
	35	35	40	25	RS354025-1	27.2	53.2	S	7800	12000	0.041	35.000	34.989	40.025	40.009
	35	40	28	RF354028	28.7	56.9	P	7800	12000	0.027	35.000	34.989	40.025	40.009	
35	35	40	29	RP354029-1	31.4	63.7	S	7800	12000	0.033	35.000	34.989	40.025	40.009	

Continued on next page.

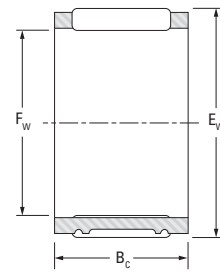


SINGLE-ROW, DOUBLE-ROW ASSEMBLIES

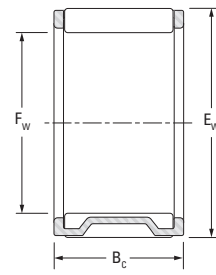
METRIC SERIES R, RF, RFN, RP, RS, RV, V, VS, WR, WRF, WRP, WRS SERIES



RF, RFN



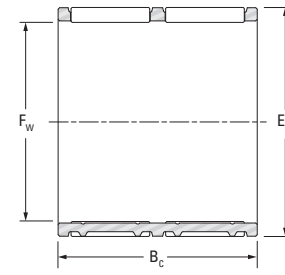
RS, R, RP



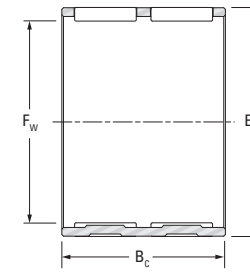
RV, V, VS

Table with columns: Shaft Dia., Fw, Ew, Bc, Assembly Designation, Load Ratings (Dynamic/Static), Cage material, Speed Rating (Grease/Oil), Approx. Wt., Mounting Dimension (S/H).

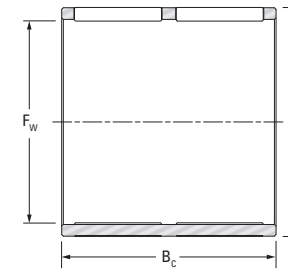
(1) Cage material: P: polymer cage, S: steel cage



WR, WRS



WRP



WRF

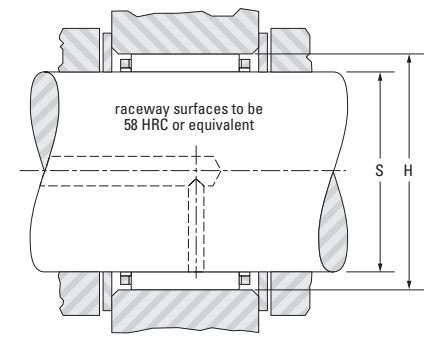


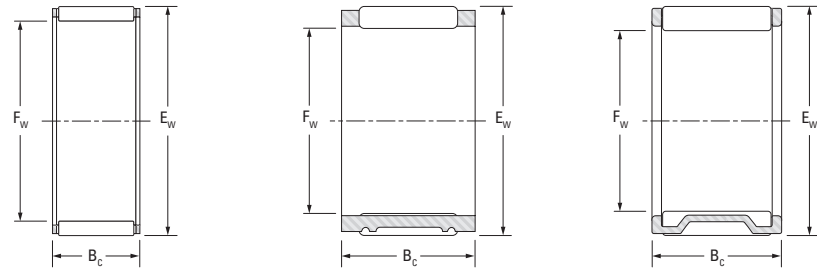
Table with columns: Shaft Dia., Fw, Ew, Bc, Assembly Designation, Load Ratings (Dynamic/Static), Cage material, Speed Rating (Grease/Oil), Approx. Wt., Mounting Dimension (S/H).

Continued on next page.



SINGLE-ROW, DOUBLE-ROW ASSEMBLIES

METRIC SERIES R, RF, RFN, RP, RS, RV, V, VS, WR, WRF, WRP, WRS SERIES



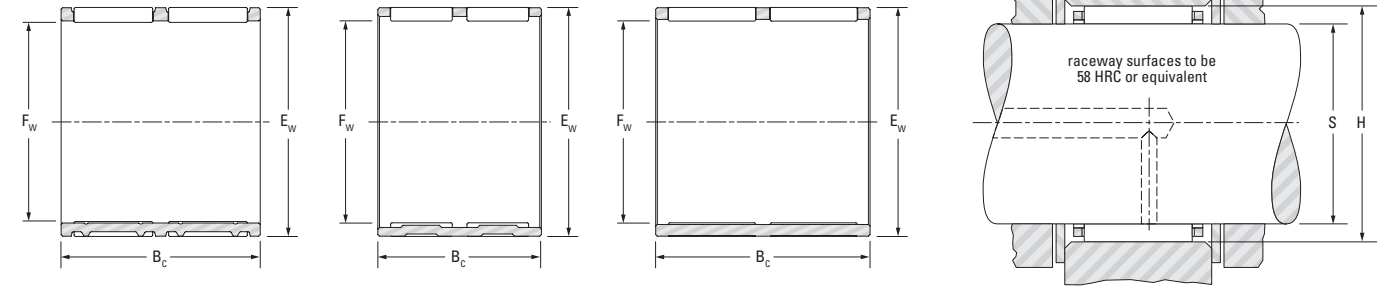
RF, RFN

RS, R, RP

RV, V, VS

Table with 14 columns: Shaft Dia., Fw, Ew, Bc, Assembly Designation, Load Ratings (Dynamic/Static), Cage material, Speed Rating (Grease/Oil), Approx. Wt., and Mounting Dimension (S/H).

(1) Cage material: P: polymer cage, S: steel cage



WR, WRS

WRP

WRF

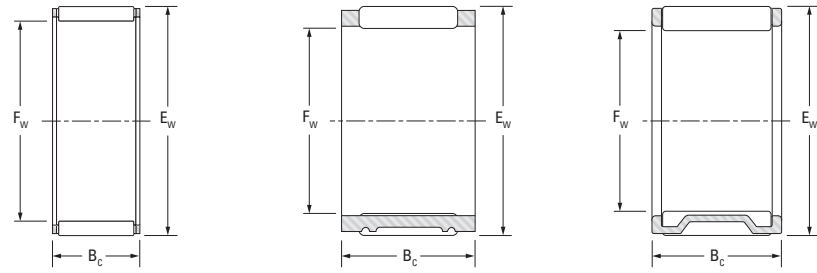
Table with 14 columns: Shaft Dia., Fw, Ew, Bc, Assembly Designation, Load Ratings (Dynamic/Static), Cage material, Speed Rating (Grease/Oil), Approx. Wt., and Mounting Dimension (S/H).

Continued on next page.



SINGLE-ROW,  
DOUBLE-ROW  
ASSEMBLIES

METRIC SERIES  
R, RF, RFN, RP, RS, RV,  
V, VS, WR, WRF, WRP,  
WRS SERIES



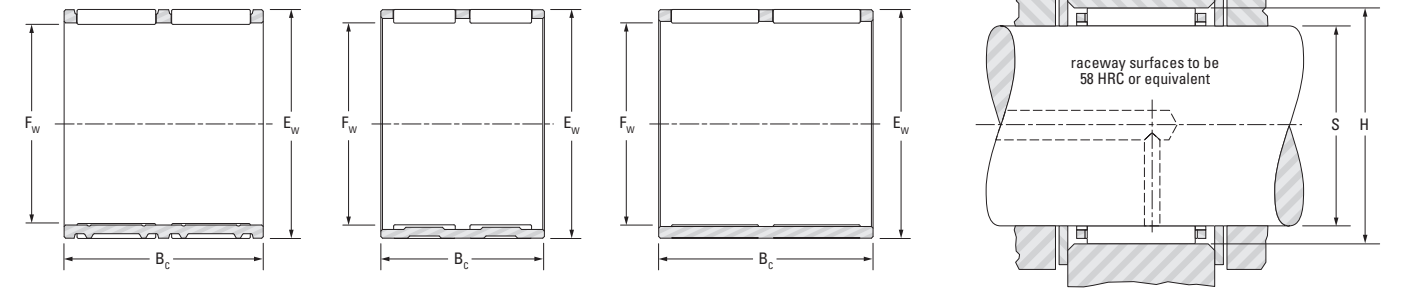
RF, RFN

RS, R, RP

RV, V, VS

Shaft Dia.	F <sub>w</sub>	E <sub>w</sub>	B <sub>c</sub>	Assembly Designation	Load Ratings		Cage material <sup>(1)</sup> P/S	Speed Rating		Approx. Wt.	Mounting Dimension			
					Dynamic	Static		Grease	Oil		S		H	
					C	C <sub>0</sub>					Max.	Min.	Max.	Min.
54 2.1260	54	60	36	RP546036	46	105	S	5100	7800	0.000	54.000	53.987	60.029	60.01
	54	61	35.8	RFU546136A	53.2	114	P	5100	7900	0.075	54.000	53.987	61.029	61.01
	54	61	41.3	RF546141A	63.5	143	P	5100	7900	0.092	54.000	53.987	61.029	61.01
55 2.1654	55	59	13	55RFN5913A	11.4	23.3	S	4900	7500	0.011	55.000	54.987	59.029	59.01
51.9 2.0433	51.9	57.9	28	RF525828A	40.9	89.9	P	5300	8100	0.050	55.500	55.487	61.529	61.51
51.9 2.0433	51.9	57.9	35.4	RF525835A	28.2	54.3	P	5300	8100	0.041	55.500	55.487	61.529	61.51
56 2.2047	56	61	33.5	R56/34	43.6	114	S	4800	7400	0.084	56.000	55.987	61.029	61.01
	56	63	47	RPU566347	60	135	S	4900	7600	0.119	56.000	55.987	63.029	63.01
58 2.2835	58	65	26	58R6526	44.1	92	S	4700	7300	0.099	58.000	57.987	65.029	65.01
	58	65	36.6	58RFN6537A	57.6	130	S	4700	7300	0.081	58.000	57.987	65.029	65.01
	58	65	36.6	RS586537A-2	56.7	127	S	4700	7300	0.157	58.000	57.987	65.029	65.01
	58	65	42.6	WRP586543A	60.1	137	S	4700	7300	0.144	58.000	57.987	65.029	65.01
	58	80	72	RV588072	233	361	S	5200	8000	0.889	58.000	57.987	80.029	80.01
60 2.3622	60	65	30	R60/30	41.1	108	S	4500	6900	0.081	60.000	59.987	65.029	65.01
	60	82	30	RF608230	120	155	P	5000	7700	0.340	60.000	59.987	82.034	82.012
63 2.4803	63	68	30	R63/30	42.1	113	S	4300	6600	0.083	63.000	62.987	68.029	68.01
	63	75	38	RV637538-1	121	240	S	4500	6900	0.270	63.000	62.987	75.029	75.01

(1) Cage material: P: polymer cage, S: steel cage



WR, WRS

WRP

WRF

Shaft Dia.	F <sub>w</sub>	E <sub>w</sub>	B <sub>c</sub>	Assembly Designation	Load Ratings		Cage material <sup>(1)</sup> P/S	Speed Rating		Approx. Wt.	Mounting Dimension			
					Dynamic	Static		Grease	Oil		S		H	
					C	C <sub>0</sub>					Max.	Min.	Max.	Min.
65 2.5591	65	70	20	R65/20A	12.3	22.6	S	4200	6400	0.057	65.000	64.987	70.029	70.01
	65	70	24	R65/24A	12.9	23.9	S	4200	6400	0.067	65.000	64.987	70.029	70.01
68 2.6772	68	73	31.6	WRS687332A	45.7	129	S	4000	6100	0.095	68.000	67.987	73.029	73.01
70 2.7559	70	76	20	70R7620	36.6	86.2	S	3800	5900	0.077	70.000	69.987	76.029	76.01
	70	80	55	70WR8055	108	242	S	4000	6100	0.351	70.000	69.987	80.029	80.01
71 2.7953	71	79	30.5	71V7930B	64	145	S	3800	5900	0.135	71.000	70.987	79.029	79.01
73 2.8740	73	79	20	R73/20	38.1	92.2	S	3700	5700	0.084	73.000	72.987	79.029	79.01
76.2 3.0000	76.2	85.5	31.5	76V8632A	76.3	167	S	3600	5600	0.177	76.200	76.187	85.534	85.512
	76.2	85.5	33	RV768633A	78.5	173	S	3600	5600	0.187	76.200	76.187	85.534	85.512
	76.2	85.5	44	RV768644A-2	95.6	222	S	3600	5600	0.235	76.200	76.187	85.534	85.512
	76.2	88	34	RV768834A	91.1	177	S	3600	5600	0.250	76.200	76.187	88.034	88.012



**RADIAL NEEDLE ROLLER AND CAGE ASSEMBLIES FOR CONNECTING ROD APPLICATIONS**

**METRIC SERIES**

Connecting rods have two bearing positions: the crank pin or big end, and the wrist pin or small end.

In the crank pin position there may be severe operating conditions due to centrifugal forces, internal forces, accelerations and high rotational speeds, requiring the use of special radial needle roller and cage assemblies.

Similarly, in the wrist pin position the reciprocating inertia loads and high oscillating speeds dictate the use of special cage designs.

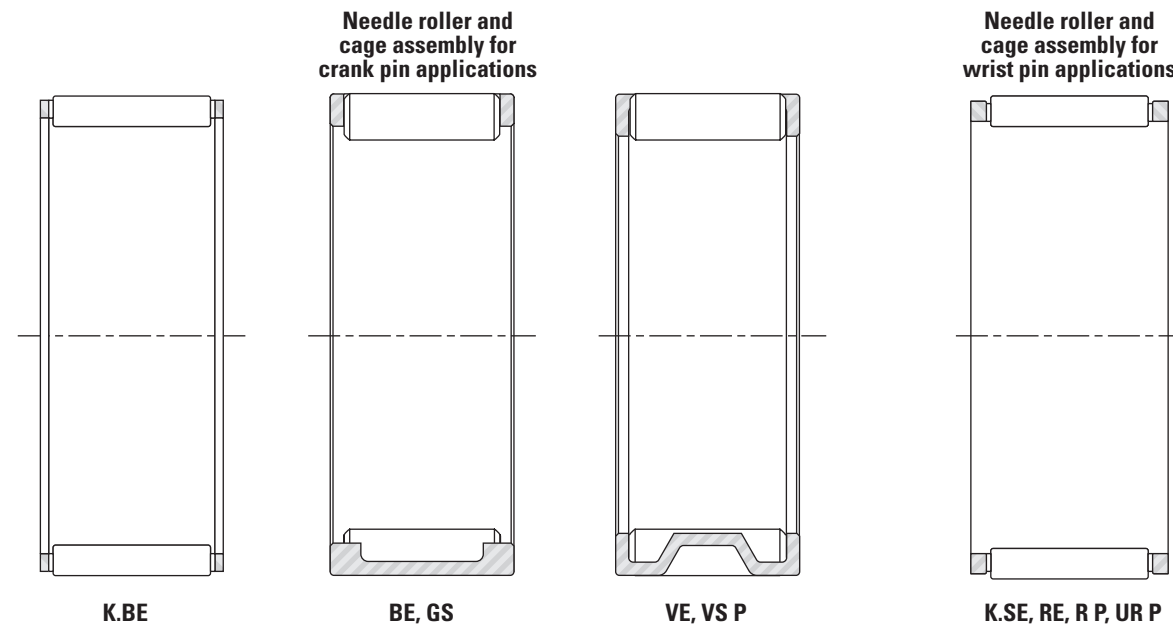


Fig. B1-3. Types of metric series radial needle roller and cage assemblies

**CONSTRUCTION**

**METRIC SERIES RADIAL NEEDLE ROLLER AND CAGE ASSEMBLIES FOR CRANK PIN POSITIONS**

Needle roller and cage assemblies for use in crank pin positions have cages with a large outside cylindrical surface to ensure optimum radial guidance in the connecting rod bore. Due to the inherent low weight and strength of the heat-treated cages, the needle roller and cage assemblies are well-suited for high-speed engine applications. When necessary, silver plating and copper plating can be applied for optimum performance during operation at high speeds.

**METRIC SERIES RADIAL NEEDLE ROLLER AND CAGE ASSEMBLIES FOR WRIST PIN POSITIONS**

Reciprocating inertia loads and oscillating speeds require the cages used in the wrist pin positions to be heat-treated and to guide on the wrist pin.

These cages are available in a variety of widths to allow the selection of a needle roller and cage assembly with the length of needle rollers to match the connecting rod width.

**SIZE SELECTION**

In most instances, selection of a suitable size of a needle roller and cage assembly for typical connecting rod positions may be based on the cylinder displacement of the engine which in turn, dictates the crank pin and wrist pin diameters.

Suggestions, based on engine displacements, are listed in the following table.

Table B1-3. Crank pin and wrist pin diameters, determined by the cylinder displacement of the engine

		Cylinder displacement in cm <sup>3</sup>						
Cylinder	>	40	60	100	150	200	300	
Displacement	≤	40	60	100	150	200	300	
		Diameter						
		mm in	mm in	mm in	mm in	mm in	mm in	
Crank pin		12/14 0.4724/0.5512	15/16/18 0.5906/0.6299/0.7087	18/20 0.7087/0.7874	18/20/22 0.7087/0.7874/0.8661	24/25/28 0.9449/0.9843/1.1024	28/30 1.1024/1.1811	35/40 1.3780/1.5748
Wrist pin		10/11 0.3937/0.4331	12/13 0.4724/0.5118	14/15 0.5512/0.5906	15/16 0.5906/0.6299	18 0.7087	20 0.7874	20 0.7874





**CONNECTING ROD GUIDANCE ARRANGEMENTS**

End guidance of a connecting rod can be provided either at the crank pin or at the wrist pin end. Connecting-rod guidance is achieved at the crank pin end using a small clearance between the crank counterweights. Guidance at the wrist pin end is controlled by a small clearance between the piston bosses.

**CRANK PIN END GUIDANCE**

With crank pin end guidance, care must be taken that an adequate amount of lubricant is supplied to the crank pin bearing and the surfaces that guide the connecting rod. For this purpose, grooves in the connecting rod end faces, or slots in the connecting rod bore aligned with the incoming lubrication path, should be provided. Occasionally, bronze or hardened steel washers may be used for end guidance of the connecting rod.

At the wrist pin end, the needle roller and cage assembly is located axially between the piston bosses. It may be both economical and effective to machine the connecting rod at the wrist pin end and at the crank pin end to the same width. It is suggested that, at the wrist

pin end, the needle roller length does not overhang the connecting rod width. Otherwise, the load rating of the needle roller and cage assembly will be reduced.

**WRIST PIN END GUIDANCE**

Wrist pin end will get the most effective axial guidance between the piston bosses. Grooves in the bottom of the piston bosses and a chamfer of small angle – on each side of the upper portion of the connecting rod small end – can improve the oil flow to the needle roller and cage assembly and its guiding surfaces.

The length of the needle roller and cage assembly and the connecting rod width at the crank pin end should be identical to ensure best possible radial piloting of cage in the bore of the connecting rod. The crank counterweights are recessed to allow proper axial alignment of the connecting rod. As a rule, it is not necessary to have an additional supply of lubricant. Only in engines with sparse lubrication should consideration be given to provide lubricating slots in the connecting rod bores as with crank pin end guidance.

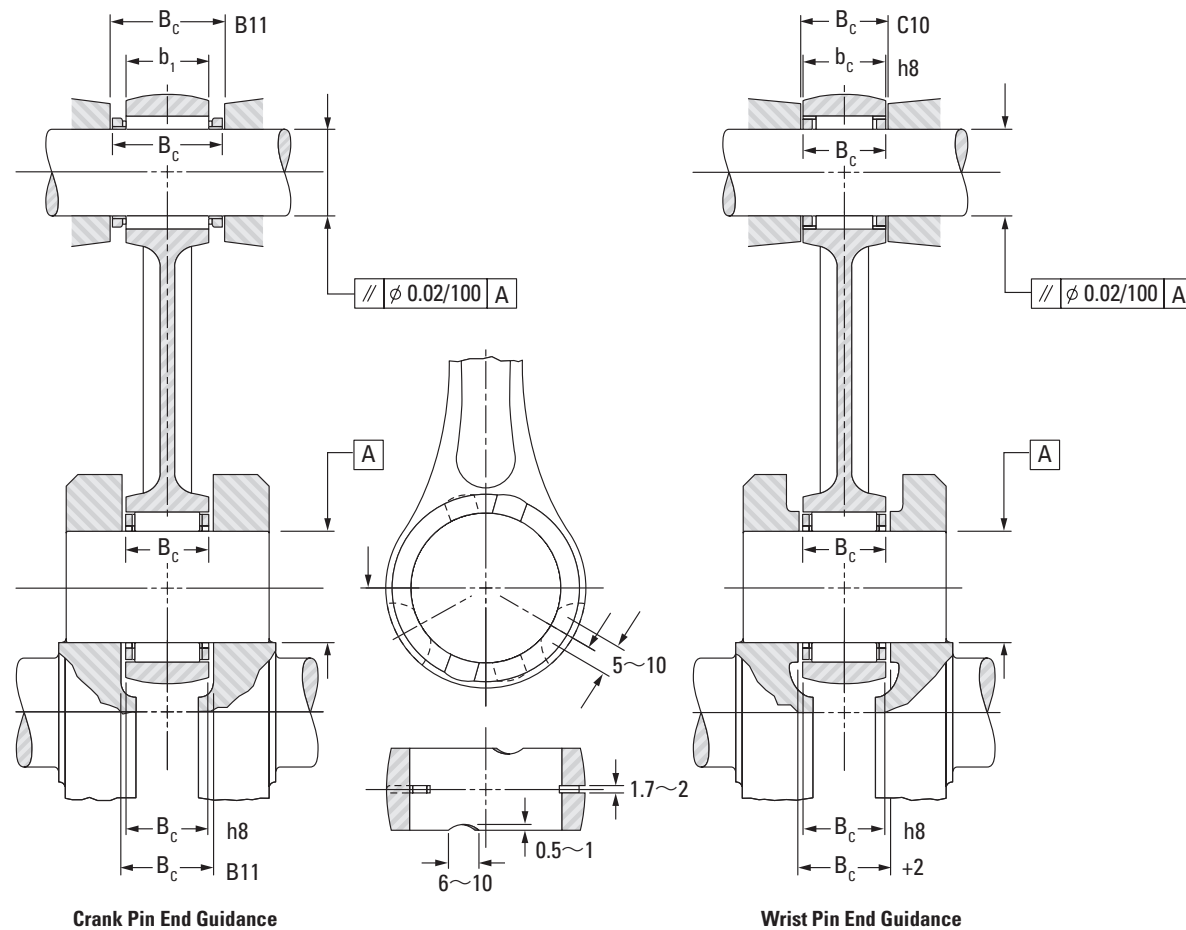


Fig. B1-4. Crank pin and wrist pin end guidance

**SUITABLE MATERIALS AND HEAT TREATMENT**

Connecting rod crank pin end and wrist pin end bores that serve as raceways:

a case-hardening steel such as SNCM 420, 15 CrNi 6, 17 MnCr 5, or ALSL 8620.

Crank pins:

a case-hardening steel such as SCM 415, 15 Cr 3, AISI 8620, or AISI 1018; a through-hardening steel such as SUJ 2m, 100 Cr 6, or AISI 52100; or a similar substance.

Wrist pins:

a case-hardening steel such as SCr 420, Cr 15, or 15 Cr 3; a through-hardening steel such as SUJ 2, 100 Cr 6, or ALSL 52100; or a similar substance.

See Table B1-4 for the effective case depths of the raceways.

After hardening, the connecting rods must be stress-relieved.

**FORM TOLERANCES**

The recommended mounting specifications for crank pins, wrist pins, and connecting rods are listed in Table B1-4.

Table B1-4. Form tolerances

Classification		Connecting rod crank pin end and wrist pin end holes	Crank pin and wrist pin outer diameters
Surface roughness (Ra)		0.16 a or less	0.1 a or less
Hardness		60 – 64 HRC	
Hardening layer depth (mm) (depth to 550 HV)		0.6 – 1.2 mm	
Out-of-roundness (μm)	Greater than 9 and less than or equal to 18	1.5	1
	Greater than 18 and less than or equal to 30	2	1.5
	Greater than 30 and less than or equal to 40	2.5	2
Taper (μm)	Greater than 9 and less than or equal to 18	2	1
	Greater than 18 and less than or equal to 30	3	2
	Greater than 30 and less than or equal to 42	4	3
Parallelism		0.02 mm or less per 100 mm	

**RADIAL CLEARANCE**

**METRIC SERIES CRANK PIN BEARINGS**

The high speeds of modern production engines dictate the need for crank pin bearings with a relatively large radial clearance. As an approximation, the minimum clearance can be taken as the crank pin diameter/1000. The maximum radial clearance would be a result of the sorting plan shown in Table B1-6(1) on page B1-46.

As shown in the example of the matching scheme, the suggested mounting diameters for the crank pin position are G6 for the connecting rod bore diameters and h5 for the crank pin diameters. Axial location of the cage is shown on the crank pin end guidance arrangement.

Racing and sport engines operate at even higher speeds than production engines, requiring 50 percent larger radial clearances in the crank pin bearings. The larger radial clearances also should be used in bores of split connecting rods to avoid the danger of distortion – resulting from the unavoidable connecting rod deformation occurring in operation. Consult your representative for advice on such applications.

**METRIC SERIES WRIST PIN BEARINGS**

The radial clearance in wrist pin bearings should be held as small as possible. The minimum clearance should be aimed at 2 μm with the maximum clearance resulting from the proposed sorting plan in Table B1-6(2) on page B1-46. The maximum clearance should be held as close as possible to 12 μm for all wrist pin bearings based on sorting wrist pins made to a tolerance h5, small end bore diameter tolerance of K6 and needle roller grades as shown in Table B1-6(2) on page B1-46.

The recommended radial clearances for prefix BE, GS, VE, VSP, RE, RP, and URP bearings are shown in Table B1-5.

Table B1-5. Recommended radial clearances

Diameter classification		Crank pin end		Wrist pin end	
Over	Or less	Minimum	Maximum	Minimum	Maximum
mm		μm		μm	
–	10	9	25	3	14
10	18	9	25	3	14
18	30	10	25	5	17
30	40	18	33	–	–



**METRIC SERIES RADIAL NEEDLE ROLLER AND CAGE ASSEMBLIES FOR CONNECTING ROD APPLICATIONS**

**MATCHING SCHEME FOR A CRANK PIN BEARING ARRANGEMENT**  
(three diameter ranges are specified for the connecting rod and crank pin)

Example: Satisfy conditions of Radial clearance 20 μm – 33 μm  
 Crank pin diameter 20 mm, tolerance h5  
 Connecting rod bore diameter 26 mm, tolerance G6  
 Needle roller and cage assembly K20x26x12BE

**Table B1-6(1). Radial clearance**

	Connecting Rod Crank Pin End Bore Diameter 26 mm Tolerance range						
	+7 – +12		+12 – +16		+16 – +20		
	Needle Roller Tolerance	Radial Clearance	Needle Roller Tolerance	Radial Clearance	Needle Roller Tolerance	Radial Clearance	
Crank Pin Diameter 20 mm Tolerance range	-3 – 0	-9 – -7	21 – 33	-6 – -4 -7 – -5	20 – 31 22 – 33	-4 – -2 -5 – -3	20 – 31 22 – 33
	-6 – -3	-7 – -5	20 – 32	-5 – -3	21 – 32	-3 – -1	21 – 32
	-9 – -6	-6 – -4	21 – 33	-3 – -1 -4 – -2	20 – 31 22 – 33	-2 – 0	22 – 33

**MATCHING SCHEME FOR A WRIST PIN BEARING ARRANGEMENT**  
(three diameter ranges are specified for the connecting rod and wrist pin)

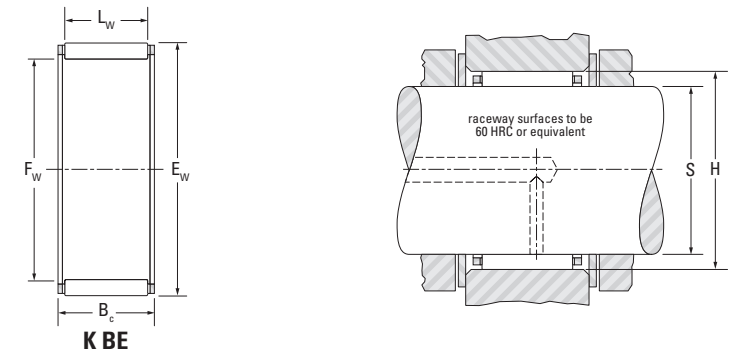
Example: Satisfy conditions of Radial clearance 2 μm – 16 μm  
 Wrist pin diameter 16 mm, tolerance h5  
 Connecting rod bore diameter 20 mm, tolerance K6  
 Needle roller and cage assembly K16x20x20SE

**Table B1-6(2). Radial clearance**

	Wrist Pin End Bore Diameter 20 mm Tolerance range						
	-11 – -6		-6 – -2		-2 – +2		
	Needle Roller Tolerance	Radial Clearance	Needle Roller Tolerance	Radial Clearance	Needle Roller Tolerance	Radial Clearance	
Wrist Pin Diameter 16 mm Tolerance range	-3 – 0		-6 – -4 -7 – -5	2 – 13 4 – 15	-4 – -2 -5 – -3	2 – 13 4 – 15	
	-6 – -3	-7 – -5	2 – 14	-5 – -3 -6 – -4	3 – 14 5 – 16	-3 – -1 -4 – -2	3 – 14 5 – 16
	-8 – -6	-6 – -4 -7 – -5	3 – 14 5 – 16	-3 – -1 -4 – -2	2 – 12 4 – 14	-2 – 0	4 – 10

**ASSEMBLIES FOR CRANK PIN END APPLICATIONS**

**METRIC SERIES K BE SERIES**



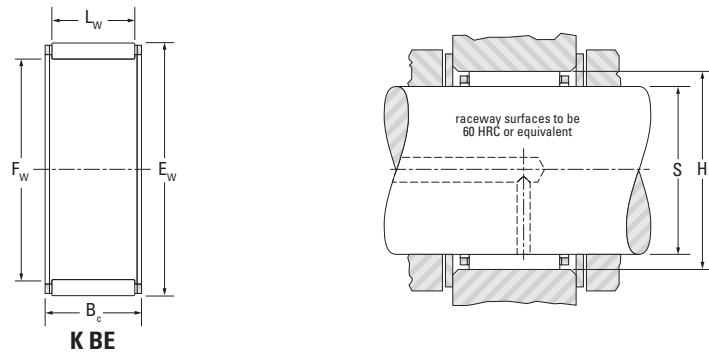
Shaft Dia.	F <sub>w</sub>	E <sub>w</sub>	B <sub>c</sub>	L <sub>w</sub>	Assembly Designation	Load Ratings		Approx. Wt.	Mounting Dimensions (non-high performance engines)			
						Dynamic	Static		S		H	
						C	C <sub>0</sub>		Max.	Min.	Max.	Min.
mm in	mm in	mm in	mm in	mm in		kN lbf	kg lbs	mm in	mm in	mm in	mm in	
12 0.4724	12 0.4724	16 0.6299	10 0.394	7.8 0.307	K12X16X10BE	6.21 1400	6.70 1510	0.004 0.009	12.000 0.4724	11.992 0.4721	16.017 0.6306	16.006 0.6302
	12 0.4724	17 0.6693	10 0.394	7.8 0.307	K12X17X10BE	7.32 1650	7.21 1620	0.005 0.011	12.000 0.4724	11.992 0.4721	17.017 0.6700	17.006 0.6695
14 0.5512	14 0.5512	18 0.7087	10 0.394	7.8 0.307	K14X18X10BE	6.89 1550	7.98 1790	0.005 0.011	14.000 0.5512	13.992 0.5509	18.017 0.7093	18.006 0.7089
	14 0.5512	20 0.7874	10 0.394	7.8 0.307	K14X20X10BE	8.90 2000	8.61 1940	0.007 0.015	14.000 0.5512	13.992 0.5509	20.020 0.7882	20.007 0.7877
	14 0.5512	20 0.7874	12 0.472	9.5 0.374	K14X20X12BE	10.50 2360	10.60 2380	0.009 0.020	14.000 0.5512	13.992 0.5509	20.020 0.7882	20.007 0.7877
16 0.6299	16 0.6299	21 0.8268	10 0.394	7.8 0.307	K16X21X10BE	8.17 1840	8.90 2000	0.007 0.015	16.000 0.6299	15.992 0.6296	21.020 0.8276	21.007 0.8270
	16 0.6299	22 0.8661	12 0.472	9.5 0.374	K16X22X12BE	11.20 2520	11.90 2680	0.011 0.024	16.000 0.6299	15.992 0.6296	22.020 0.8669	22.007 0.8664
18 0.7087	18 0.7087	24 0.9449	12 0.472	9.5 0.374	K18X24X12BE	11.80 2650	13.10 2940	0.011 0.024	18.000 0.7087	17.992 0.7083	24.020 0.9457	24.007 0.9452
	18 0.7087	24 0.9449	13 0.512	10.5 0.413	WK18X24X13BE	12.80 2880	14.60 3280	0.011 0.024	18.000 0.7087	17.992 0.7083	24.020 0.9457	24.007 0.9452
	18 0.7087	24 0.9449	15 0.591	11.8 0.465	K18X24X15BE	13.30 2990	15.20 3420	0.014 0.031	18.000 0.7087	17.992 0.7083	24.020 0.9457	24.007 0.9452
19 0.748	19 0.748	25 0.9843	15 0.591	12.5 0.492	K19X25X15BE	14.70 3300	17.60 3960	0.014 0.031	19.000 0.7480	18.991 0.7477	25.020 0.9850	25.007 0.9845
20 0.7874	20 0.7874	26 1.0236	12 0.472	9.8 0.386	K20X26X12BE	13.30 2990	15.80 3550	0.013 0.029	20.000 0.7874	19.991 0.7870	26.020 1.0244	26.007 1.0239
	20 0.7874	26 1.0236	17 0.669	13.8 0.543	K20X26X17BE	14.90 3350	18.20 4090	0.017 0.037	20.000 0.7874	19.991 0.7870	26.020 1.0244	26.007 1.0239
22 0.8661	22 0.8661	28 1.1024	13 0.512	9.8 0.386	K22X28X13BE	13.90 3120	17.10 3840	0.015 0.033	22.000 0.8661	21.991 0.8658	28.020 1.1031	28.007 1.1026
	22 0.8661	29 1.1417	16 0.63	12.8 0.504	K22X29X16BE	18.50 4160	22.30 5010	0.021 0.046	22.000 0.8661	21.991 0.8658	29.020 1.1425	29.007 1.1420
24 0.9449	24 0.9449	30 1.1811	13 0.512	9.8 0.386	K24X30X13BE	14.40 3240	18.40 4140	0.016 0.035	24.000 0.9449	23.991 0.9445	30.020 1.1819	30.007 1.1814
	24 0.9449	30 1.1811	15 0.591	11.8 0.465	K24X30X15BE	15.30 3440	19.70 4430	0.018 0.040	24.000 0.9449	23.991 0.9445	30.020 1.1819	30.007 1.1814

Continued on next page.



ASSEMBLIES FOR CRANK PIN END APPLICATIONS

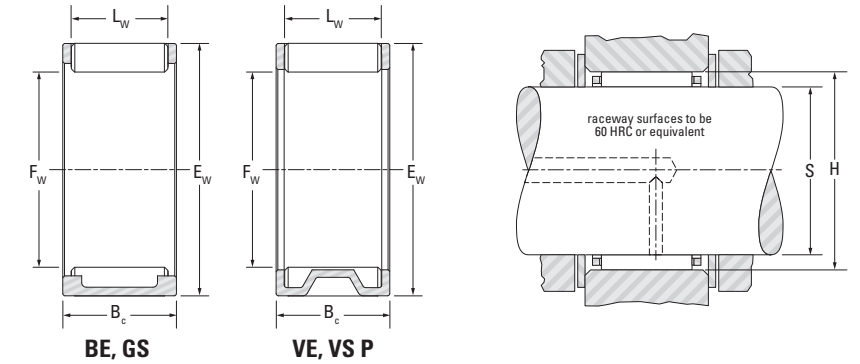
METRIC SERIES  
K BE SERIES



Shaft Dia.	F <sub>w</sub>	E <sub>w</sub>	B <sub>c</sub>		L <sub>w</sub>	Assembly Designation	Load Ratings		Approx. Wt.	Mounting Dimensions (non-high performance engines)			
			-0.20 -0.008	-0.55 -0.022			Dynamic	Static		S		H	
			C	C <sub>0</sub>						Max.	Min.	Max.	Min.
24 0.9449	24 0.9449	30 1.1811	17 0.669	13.8 0.543	K24X30X17BE	19.00 4270	26.30 5910	0.021 0.040	24.000 0.9449	23.991 0.9445	30.020 1.1819	30.007 1.1814	
25 0.9843	25 0.9843	31 1.2205	19.8 0.78	17.8 0.701	WK25X31X20BE	23.30 5240	34.50 7760	0.024 0.053	25.000 0.9843	24.991 0.9839	31.025 1.2215	31.009 1.2208	
	25 0.9843	32 1.2598	16 0.63	12.8 0.504	K25X32X16BE	19.20 4320	24.30 5460	0.022 0.049	25.000 0.9843	24.991 0.9839	32.025 1.2608	32.009 1.2602	
	25 0.9843	32 1.2598	24 0.945	19.8 0.780	K25X32X24BE	27.50 6180	38.50 8660	0.035 0.077	25.000 0.9843	24.991 0.9839	32.025 1.2608	32.009 1.2602	
30 1.1811	30 1.1811	37 1.4567	16 0.63	12.8 0.504	K30X37X16BE	21.60 4860	29.80 6700	0.029 0.064	30.000 1.1811	29.991 1.1807	37.025 1.4577	37.009 1.4570	
35 1.378	35 1.378	42 1.6535	20 0.787	16.8 0.661	K35X42X20BE	29.70 6680	47.00 10600	0.039 0.086	35.000 1.3780	34.989 1.3775	42.025 1.6545	42.009 1.6539	

ASSEMBLIES FOR CRANK PIN END APPLICATIONS

METRIC SERIES  
BE, GS, VE, VS P SERIES



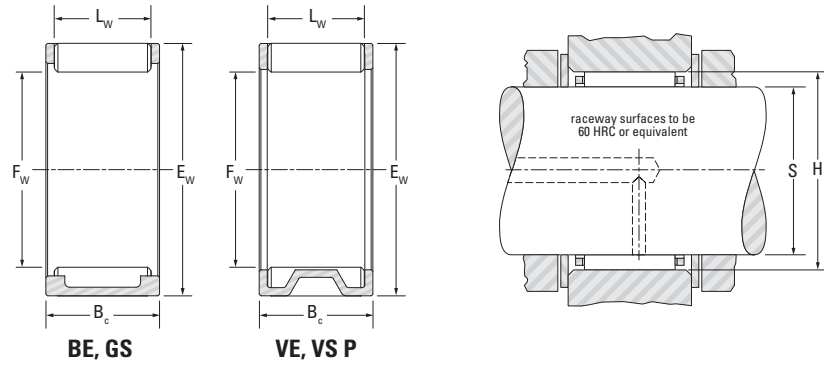
Shaft Dia.	F <sub>w</sub>	E <sub>w</sub>	B <sub>c</sub>		L <sub>w</sub>	Assembly Designation	Load Ratings		Approx. Wt.	Mounting Dimensions (non-high performance engines)			
			-0.20 -0.008	-0.55 -0.022			Dynamic	Static		S		H	
			C	C <sub>0</sub>						Max.	Min.	Max.	Min.
12 0.4724	12	16	10	7.4	12VS1610P-1	5.95	6.35	0.004					
16 0.6299	16	22	11.8	8.8	VE162212AB1-2	9.65	9.8	0.011					
	16	22	13.2	9.8	VE162213ASB1	10.6	11	0.012					
17 0.6693	17	23	14	10.8	17VS2314AP	11.2	12.1	0.013					
20 0.7874	20	26	13.8	10.8	BE202614BSB1	15.2	18.7	0.017					
	20	26	14	10.8	20VS2614CP-2	13.3	15.7	0.015					
	20	26	14	10.8	BE202614SY1B1	13.3	15.7	0.016					
22 0.8661	22	28	14	10.8	22VS2814FP	13.2	15.9	0.016					
	22	28	15.7	12.8	BE222816ASB1	17.9	23.7	0.02					
	22	28	16	11.8	VS22/16KP-1	13.8	16.9	0.018					
	22	29	16	11.8	22VS2916BP	15.7	18	0.021					
	22	29	16.8	12.8	BE222917ASY1B1-2	18.7	22.7	0.027					
23 0.9055	23	28	12	8.8	23VS2812AP	11.6	15.5	0.013					
25 0.9843	25	32	15.8	12.8	BE253216ASY1B1	20.6	26.6	0.026					
26 1.0236	26	32	19.8	15.8	BE263220ASB1	22.9	34.2	0.03					
27 1.0630	27	36	18	13.8	27VS3618P	23.4	27.1	0.042					
	27	36	20.8	16.8	VE273621AB1	29.8	37.1	0.047					

Continued on next page.



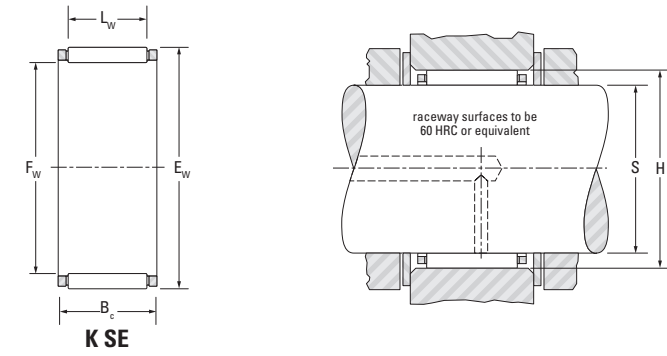
ASSEMBLIES FOR CRANK PIN END APPLICATIONS

METRIC SERIES  
BE, GS, VE, VS P SERIES



ASSEMBLIES FOR WRIST PIN END APPLICATIONS

METRIC SERIES  
K SE SERIES



Shaft Dia.	F <sub>w</sub>	E <sub>w</sub>	B <sub>c</sub>		L <sub>w</sub>	Assembly Designation	Load Ratings		Approx. Wt.	Mounting Dimensions (non-high performance engines)				
			-0.20 -0.008	-0.55 -0.022			Dynamic	Static		S		H		
			C	C <sub>0</sub>						Max.	Min.	Max.	Min.	
30 1.1811	30	37	16	12.8	30VS3716AP-1	20.8	28.3	0.03						
	30	37	20	15.8	30VS3720P	24.6	35.2	0.036						
	30	38	17.8	14.8	VE303818AB1	26.5	35.4	0.038						
32 1.2598	32	40	20	15.8	VE324020SB1	29.9	42.2	0.048						
34 1.3386	34	43	19.8	15.8	BE344320ASB1	34.2	47.2	0.059						
	34	43	22	17.8	GS344322-1	37.7	53.5	0.063						
	34	44	19.8	16.8	BE344420ASY1B1	38.6	51.5	0.064						
35 1.378	35	43	21.8	15.8	35VS4320BP	32	47.4	0.051						
	35	43	22	17.8	BE354322ASB1	36.6	56.4	0.057						
	35	45	21.8	17.8	BE354522ASYB1	43.5	60.7	0.081						
	35	45	24.8	20.8	BE354525ASYB1	51.8	76.1	0.088						
36 1.4173	36	46	20.8	15.8	VEU364621AB1-6	32.3	41.4	0.067						
	36	46	21	15.8	36VU4621P-2-2	32.3	41.4	0.068						
37 1.4567	37	47	25	20.8	37VS4725P-1	43.9	61.9	0.082						
38 1.4961	38	50	22.8	18.8	BE385023ASY1B3-5	51.4	68.2	0.113						
40.5 1.5945	40.5	50	23.8	17.3	BEU415024ASB1-10	38.9	56.3	0.085						

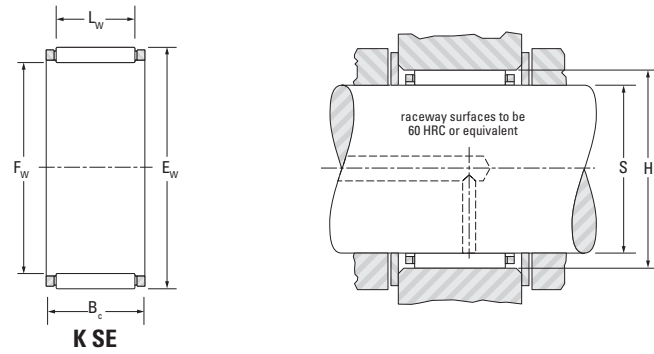
Shaft Dia.	F <sub>w</sub>	E <sub>w</sub>	B <sub>c</sub>		L <sub>w</sub>	Assembly Designation	Load Ratings		Approx. Wt.	Mounting Dimensions (non-high performance engines)			
			-0.20 -0.008	-0.55 -0.022			Dynamic	Static		S		H	
			C	C <sub>0</sub>						Max.	Min.	Max.	Min.
9 0.3543	9	12	11.5	8.4	K9X12X11,5SE	4.23	4.53	0.003	9.000	8.994	12.017	12.006	
	9	13	12.5	9.8	K9X13X12,5SE	5.58	5.41	0.005	9.000	8.994	13.017	13.006	
10 0.3937	10	13	14.5	11.8	K10X13X14,5SE	5.93	7.20	0.004	10.000	9.994	13.017	13.006	
	10	14	10	7.0	K10X14X10SE	4.62	4.36	0.004	10.000	9.994	14.017	14.006	
12 0.4724	12	15	13	9.8	K12X15X13SE	6.00	7.72	0.004	12.000	11.992	15.017	15.006	
	12	15	15	11.8	K12X15X15SE	6.97	9.36	0.005	12.000	11.992	15.017	15.006	
	12	15	17.5	12.8	K12X15X17,5SE	7.45	10.2	0.006	12.000	11.992	15.017	15.006	
	12	16	13	9.8	K12X16X13SE	6.03	6.38	0.006	12.000	11.992	16.017	16.006	
	12	17	13	9.8	K12X17X13SE	7.61	7.54	0.007	12.000	11.992	17.017	17.006	
	12	17	15	12.5	K12X17X15SE	9.30	9.75	0.007	12.000	11.992	17.017	17.006	
13 0.5118	13	16	14	9.8	K13X16X14SE	5.62	7.23	0.005	13.000	12.992	16.017	16.006	
	13	17	17.7	13.8	K13X17X17,7SE	9.80	12.3	0.008	13.000	12.992	17.017	17.006	
	13	18	15	12.5	K13X18X15SE	9.28	9.88	0.008	13.000	12.992	18.017	18.006	
14 0.5512	14	18	13	9.8	K14X18X13SE	7.39	8.69	0.007	14.000	13.992	18.017	18.006	
	14	18	17	11.8	K14X18X17SE	8.59	10.5	0.009	14.000	13.992	18.017	18.006	
	14	18	21	14.8	K14X18X21SE	10.3	13.3	0.011	14.000	13.992	18.017	18.006	
15 0.5906	15	19	17	11.8	K15X19X17SE	9.05	11.5	0.009	15.000	14.992	19.020	19.007	

Continued on next page.



ASSEMBLIES FOR WRIST PIN END APPLICATIONS

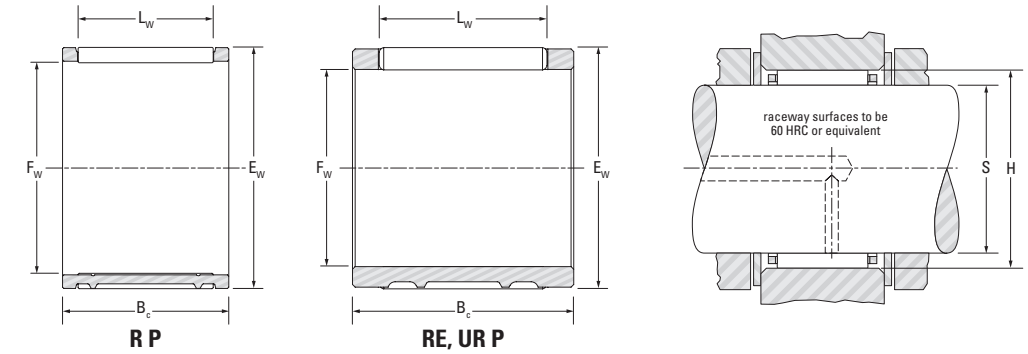
METRIC SERIES  
K SE SERIES



Shaft Dia.	F <sub>w</sub>	E <sub>w</sub>	B <sub>c</sub>		L <sub>w</sub>	Assembly Designation	Load Ratings		Approx. Wt.	Mounting Dimensions (non-high performance engines)			
			-0.20 -0.008 -0.55 -0.022	mm in			Dynamic C	Static C <sub>0</sub>		S		H	
										Max.	Min.	Max.	Min.
15 0.5906	15 0.5906	19 0.748	19.5 0.768	15.8 0.622	K15X19X19,5SE	10.8 2430	14.3 3210	0.010 0.022	15.000 0.5906	14.992 0.5902	19.020 0.7488	19.007 0.7483	
	15 0.5906	19 0.748	20 0.787	15.8 0.622	K15X19X20SE	10.8 2430	14.3 3210	0.010 0.022	15.000 0.5906	14.992 0.5902	19.020 0.7488	19.007 0.7483	
16 0.6299	16 0.6299	20 0.7874	20 0.787	15.8 0.622	K16X20X20SE	12.0 2700	16.9 3800	0.011 0.024	16.000 0.6299	15.992 0.6296	20.020 0.7882	20.007 0.7877	
	16 0.6299	20 0.7874	22 0.866	15.8 0.622	K16X20X22SE	12.0 2700	16.9 3800	0.013 0.029	16.000 0.6299	15.992 0.6296	20.020 0.7882	20.007 0.7877	
	16 0.6299	20 0.7874	23 0.906	15.8 0.622	K16X20X23SE	10.7 2410	14.5 3260	0.013 0.029	16.000 0.6299	15.992 0.6296	20.020 0.7882	20.007 0.7877	
18 0.7087	18 0.7087	22 0.8661	22 0.866	17.8 0.701	K18X22X22SE	14.4 3240	22.0 4950	0.016 0.035	18.000 0.7087	17.992 0.7083	22.020 0.8669	22.007 0.8664	
	18 0.7087	23 0.9055	20 0.787	15.8 0.622	K18X23X20SE	13.6 3060	17.6 3960	0.015 0.033	18.000 0.7087	17.992 0.7083	23.020 0.9063	23.007 0.9058	
	18 0.7087	23 0.9055	23 0.906	17.8 0.701	K18X23X23SE	15.9 3570	21.6 4860	0.018 0.040	18.000 0.7087	17.992 0.7083	23.020 0.9063	23.007 0.9058	
19 0.7480	19 0.748	24 0.9449	25.5 1.004	17.8 0.701	K19X24X25,5SE	16.7 3750	23.4 5260	0.022 0.049	19.000 0.7480	18.991 0.7477	24.020 0.9457	24.007 0.9452	
20 0.7874	20 0.7874	24 0.9449	23 0.906	17.8 0.701	K20X24X23SE	14.8 3330	23.7 5330	0.017 0.037	20.000 0.7874	19.991 0.7870	24.020 0.9457	24.007 0.9452	
	20 0.7874	25 0.9843	22 0.866	16.8 0.661	K20X25X22SE	15.9 3570	22.2 4990	0.020 0.044	20.000 0.7874	19.991 0.7870	25.020 0.9850	25.007 0.9845	
	20 0.7874	25 0.9843	23 0.906	17.8 0.701	K20X25X23SE	17.5 3930	25.2 5670	0.025 0.055	20.000 0.7874	19.991 0.7870	25.020 0.9850	25.007 0.9845	

ASSEMBLIES FOR WRIST PIN END APPLICATIONS

METRIC SERIES  
R P, RE, UR P SERIES



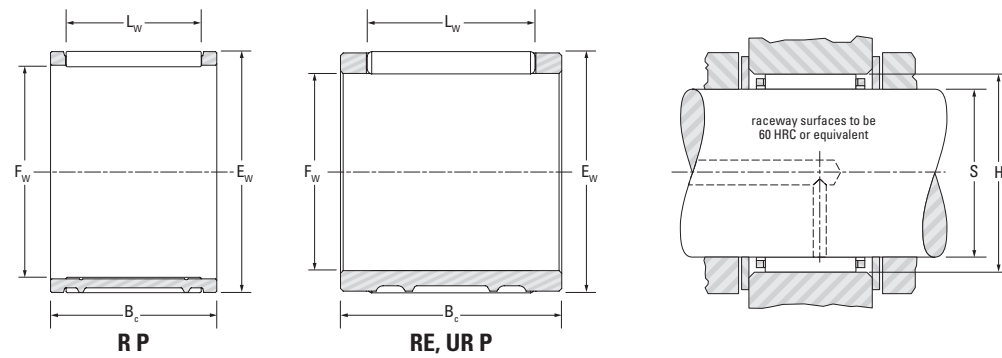
Shaft Dia.	F <sub>w</sub>	E <sub>w</sub>	B <sub>c</sub>		L <sub>w</sub>	Assembly Designation	Load Ratings		Approx. Wt.	Mounting Dimensions (non-high performance engines)			
			-0.20 -0.008 -0.55 -0.022	mm in			Dynamic C	Static C <sub>0</sub>		S		H	
										Max.	Min.	Max.	Min.
9 0.3543	9	12	12	8.8	9R1212P	5.25	5.95	0.004					
12 0.4724	12	16	14.8	11.8	12R1615CP	8.35	9.8	0.008					
	12	16	15.4	11.8	RE121615AL1	8.35	9.8	0.008					
	12	16	16	12.8	12UR1616P	7.7	8.75	0.008					
14 0.5512	14	18	15.8	11.8	RE141816AL1	9.4	11.8	0.01					
	14	18	16.5	12.8	RE141817AL2-2	10	12.8	0.01					
	14	18	17.5	11.8	14R1818P	8.85	10.9	0.011					
	14	18	20	13.8	UR14/20P	8.9	11	0.012					
15 0.5906	15	19	17.3	12.8	RE151917BL3	10.5	13.9	0.011					
	15	19	20	15.8	15R1920BP-1	12.1	16.6	0.013					
	15	20	17.8	13.8	RE152018BL2	12.3	14.7	0.014					
	15	20	19.8	15.8	RE152020CL2	14.3	17.9	0.016					
16 0.6299	16	20	18.8	14.8	R16/18.8AP-2	11	15.1	0.013					
	16	20	19.5	13.8	R16/19.5FP	9.95	13.2	0.014					
	16	20	19.5	13.8	RE162020AL2	9.95	13.2	0.013					
	16	20	22.5	14.8	R16/22.5EP	9.85	13	0.016					
	16	21	17.5	13.8	16R2118BP-2	12.2	14.8	0.016					

Continued on next page.



ASSEMBLIES FOR WRIST PIN END APPLICATIONS

METRIC SERIES R P, RE, UR P SERIES



Shaft Dia.	F <sub>w</sub>	E <sub>w</sub>	B <sub>c</sub>		L <sub>w</sub>	Assembly Designation	Load Ratings		Approx. Wt.	Mounting Dimensions (non-high performance engines)			
			-0.20 -0.008 -0.55 -0.022				Dynamic	Static		S		H	
			mm	in			C	C <sub>0</sub>		Max.	Min.	Max.	Min.
16 0.6299	16	21	19.5	15.8	16R2120EP-2	13.5	16.9	0.017					
	16	21	22.5	16.8	RE162123AL2	15.4	20	0.02					
18 0.7087	18	22	19.65	13.8	RE182220AL1	10.9	15.4	0.015					
	18	22	22	15.8	18R2222P	12.1	17.6	0.017					
	18	22	23.6	17.8	RE182224AL2	13.3	20	0.017					
	18	23	22	15.8	18R2322P	14.2	18.6	0.021					
	18	23	23.8	17.8	RE182324AL2	16.5	22.7	0.024					
19 0.7480	19	24	24.8	18.8	RE192425AL1	18.3	26.2	0.026					
20 0.7874	20	24	13	9.8	R20/13P	10.3	14.9	0.01					
	20	25	13	9.8	20R2513P	11.9	15.3	0.013					
	20	25	21.8	16.8	RE202522AL2	17.6	25.3	0.024					
	20	25	23	18.8	RE202523L1	19.1	28.2	0.024					
	20	25	24	17.8	RE202524L2-1	16.3	23	0.026					
	20	25	27.8	21.8	RE202528AL1	21.7	33.2	0.03					

RADIAL NEEDLE ROLLER AND CAGE ASSEMBLIES

INCH SERIES

Inch series radial needle roller and cage assemblies are available in a variety of sizes and designs. This catalog includes the most popular, standardized designs.

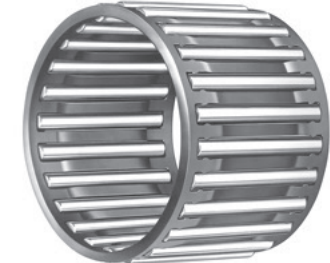
REFERENCE STANDARDS:

- ANSI/ABMA 18.2 – needle roller bearings – radial, inch design.

Before selecting specific inch series radial needle roller and cage assemblies, the engineering section should be reviewed.



WJ



WJC

Fig. B1-5 . Types of inch series radial needle roller and cage assemblies

There are two primary constructions of inch series needle roller and cage assemblies. WJ assemblies are heavy-duty compared to WJC assemblies due to the nature of the roller diameter.

CONSTRUCTION

Radial needle roller and cage assemblies have a steel cage that provides both inward and outward retention for the needle rollers. The designs provide maximum cage strength consistent with the inherent high load-ratings of needle roller bearings.

Accurate guidance of the needle rollers by the cage bars allows for operation at high speeds. Needle roller and cage assemblies have either one or two rows of needle rollers.

Also available (by request) are needle roller and cage assemblies using molded, one-piece glass-reinforced engineered polymer cages. These operate well at temperatures up to 250° F (120° C) over extended periods. However, care should be exercised when bearings are lubricated with oils containing additives, as service life may be reduced if the operating temperature exceeds 212° F (100° C). At such high temperatures, oil can deteriorate with time and it is suggested that oil change intervals are observed.

Needle rollers with relieved ends – used in these assemblies are made of high carbon chrome steel through-hardened, ground and lapped to close tolerances for diameter and roundness. See the engineering section for further discussion of relieved end rollers.

DIMENSIONAL ACCURACY

The nominal inch assemblies, WJ and WJC, contain needle rollers manufactured to only one diameter grade. Within any one assembly, the needle rollers have a total diameter tolerance of 0.0001 in (0.003 mm).

The limit to precision of the radial clearance of mounted needle roller and cage assemblies is the capability of the user to hold close tolerances on the inner and outer raceways.

The tolerance of the overall width of these assemblies is given in the bearing tables of this section.

MOUNTING DIMENSIONS

The needle roller and cage assembly normally uses the shaft and housing as the inner and outer raceways. To realize full bearing load rating and life, the shaft and housing must have the correct geometric and metallurgical characteristics.

The tables of dimensions for these assemblies list the suggested diameters for the shaft when used as the inner raceway. These are consistent with ISO h5 shaft raceway tolerances. Additional design details for shafts used as inner raceways can be found in the engineering section.

Since the housing normally serves as the outer raceway, it should be of sufficient cross section to maintain adequate roundness and running clearance under load. The tables of dimensions



also list the suggested diameters for the housings when used as outer raceways. These are consistent with ISO G6 housing bore tolerances. Additional design details for housings used as outer raceways can be found in the engineering section.

The suggested mounting diameter tolerances for these needle roller and cage assemblies will provide correct running clearance for most applications.

The needle roller and cage assembly must be axially located by shoulders or other suitable means. End locating surfaces should be hardened to minimize wear. For satisfactory operation, minimum axial clearance should be 0.008 in (0.203 mm). When using type WJ assembly, fillets adjacent to the assembly must not exceed 0.03 in (0.762 mm) radius. When it is necessary to use fillets adjacent to WJC assembly, please consult your representative for suggestions.

**LUBRICATION**

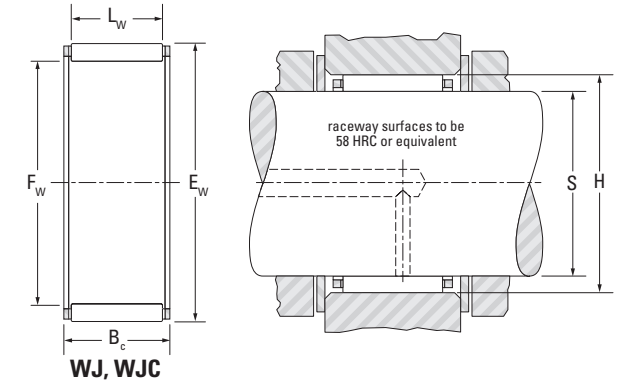
Oil is the preferred lubricant for most applications. In critical applications involving high speeds, ample oil flow must be provided. Where assemblies are subjected to high centrifugal forces, such as in epicyclic gearing, or inertia forces, as in the small end of a connecting rod, the contact pressure between the cage and the raceway guiding surface becomes critical. The allowable contact pressure depends on a combination of the induced force and the relative velocity between the cage and the raceway and the rate of lubricant flow. Consult your representative when cages will be subjected to high induced forces.

**SPECIAL DESIGNS**

Needle roller and cage assemblies made to special dimensions or configurations, such as those that are split to assemble around a one-piece crankshaft, can be made available on special order where quantities permit. Special plated cages to enhance life under conditions of high induced forces can also be made available.

**SINGLE-ROW ASSEMBLIES**

**INCH SERIES**



Shaft Dia.	F <sub>w</sub>	E <sub>w</sub>	B <sub>c</sub> +0 +0 -0.38 -0.015	Assembly Designation	Load Ratings		Speed Rating		S (ISO h5)		H (ISO G6)		Wt.
					C	C <sub>0</sub>	Grease	Oil	Mounting Dimension				
					kN lbf		min <sup>-1</sup>		Max.	Min.	Max.	Min.	
3/8	9.525 0.3750	12.700 0.5000	9.53 0.375	WJC-060806	3.87 870	4.00 900	24000	37000	9.525 0.3750	9.520 0.3748	12.715 0.5006	12.705 0.5002	0.003 0.006
1/2	12.700 0.5000	15.875 0.6250	12.70 0.500	WJC-081008	6.23 1400	8.01 1800	23000	35000	12.700 0.5000	12.692 0.4997	15.890 0.6256	15.880 0.6252	0.005 0.010
9/16	14.288 0.5625	17.463 0.6875	12.70 0.500	WJC-091108	6.81 1530	9.25 2080	22000	34000	14.288 0.5625	14.280 0.5622	17.478 0.6881	17.468 0.6877	0.006 0.013
5/8	15.875 0.6250	19.050 0.7500	12.70 0.500	WJC-101208	7.03 1580	9.96 2240	18000	27000	15.875 0.6250	15.867 0.6247	19.070 0.7508	19.058 0.7503	0.006 0.013
	15.875 0.6250	22.225 0.8750	15.88 0.625	WJ-101410	15.6 3510	17.8 3990	19000	29000	15.875 0.6250	15.867 0.6247	22.245 0.8758	22.233 0.8753	0.012 0.027
	15.875 0.6250	22.225 0.8750	22.23 0.875	WJ-101414	21.3 4780	26.4 5940	19000	29000	15.875 0.6250	15.867 0.6247	22.245 0.8758	22.233 0.8753	0.017 0.038
3/4	19.050 0.7500	25.400 1.0000	25.40 1.000	WJ-121616	26.8 6020	37.2 8370	16000	24000	19.050 0.7500	19.040 0.7496	25.420 1.0008	25.408 1.0003	0.023 0.051
13/16	20.638 0.8125	26.988 1.0625	22.23 0.875	WJ-131714	25.1 5650	35.0 7880	14000	22000	20.638 0.8125	20.627 0.8121	27.008 1.0633	26.995 1.0628	0.021 0.046
7/8	22.225 0.8750	28.575 1.1250	25.40 1.000	WJ-141816	29.2 6570	43.5 9770	13000	20000	22.225 0.8750	22.215 0.8746	28.595 1.1258	28.583 1.1253	0.026 0.058
1	25.400 1.0000	33.338 1.3125	19.05 0.750	WJ-162112	28.1 6320	37.1 8340	12000	18000	25.400 1.0000	25.390 0.9996	33.363 1.3135	33.348 1.3129	0.029 0.063
	25.400 1.0000	33.338 1.3125	25.40 1.000	WJ-162116	36.8 8270	52.5 11800	12000	18000	25.400 1.0000	25.390 0.9996	33.363 1.3135	33.348 1.3129	0.038 0.084
	25.400 1.0000	33.338 1.3125	31.75 1.250	WJ-162120	44.5 10000	67.2 15100	12000	18000	25.400 1.0000	25.390 0.9996	33.363 1.3135	33.348 1.3129	0.048 0.105
1 1/8	28.575 1.1250	38.100 1.5000	25.40 1.000	WJ-182416	42.4 9520	57.8 13000	10000	16000	28.575 1.1250	28.565 1.1246	38.125 1.5010	38.110 1.5004	0.041 0.090
	28.575 1.1250	38.100 1.5000	31.75 1.250	WJ-182420	52 11700	74.7 16800	10000	16000	28.575 1.1250	28.565 1.1246	38.125 1.5010	38.110 1.5004	0.065 0.143
1 1/4	31.750 1.2500	41.275 1.6250	19.05 0.750	WJ-202612	33.4 7520	43.7 9830	9300	14000	31.750 1.2500	31.740 1.2496	41.300 1.6260	41.285 1.6254	0.043 0.094
	31.750 1.2500	41.275 1.6250	25.40 1.000	WJ-202616	44.1 9910	62.3 14000	9300	14000	31.750 1.2500	31.740 1.2496	41.300 1.6260	41.285 1.6254	0.061 0.134
	31.750 1.2500	41.275 1.6250	31.75 1.250	WJ-202620	53.8 12100	81.0 18200	9300	14000	31.750 1.2500	31.740 1.2496	41.300 1.6260	41.285 1.6254	0.071 0.156

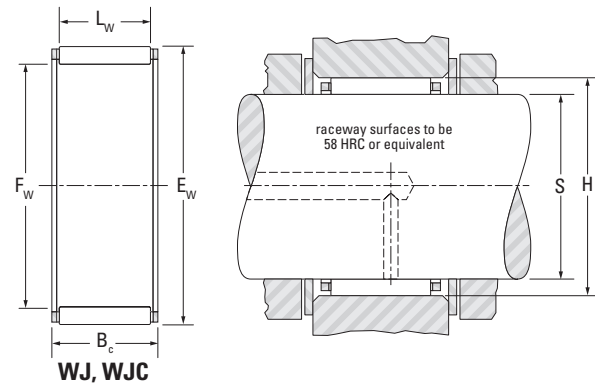
· Load ratings are based on a minimum raceway hardness of 58 HRC or equivalent.  
· Minimum axial clearance should be 0.02 mm (0.008 in).

Continued on next page.



SINGLE-ROW ASSEMBLIES

INCH SERIES



WJ, WJC

Shaft Dia.	F <sub>w</sub>	E <sub>w</sub>	B <sub>c</sub> +0 -0.38 -0.015	Assembly Designation	Load Ratings		Speed Rating		S (ISO h5)		H (ISO G6)		Wt.
					C	C <sub>0</sub>	Grease	Oil	Max.	Min.	Max.	Min.	
in	mm	mm	mm		kN lbf		min <sup>-1</sup>		mm	mm	mm	mm	kg lbs
1¼	31.750 1.2500	41.275 1.6250	38.10 1.500	WJ-202624	63.6 14300	99.6 22400	9300	14000	31.750 1.2500	31.740 1.2496	41.300 1.6260	41.285 1.6254	0.085 0.188
1⅜	34.925 1.3750	44.450 1.7500	25.40 1.000	WJ-222816	45.8 10300	67.2 15100	8300	13000	34.925 1.3750	34.915 1.3746	44.475 1.7510	44.460 1.7504	0.067 0.147
	34.925 1.3750	44.450 1.7500	31.75 1.250	WJ-222820	56.0 12600	87.2 19600	8300	13000	34.925 1.3750	34.915 1.3746	44.475 1.7510	44.460 1.7504	0.077 0.170
1½	38.100 1.5000	47.625 1.8750	25.40 1.000	WJ-243016	47.2 10600	71.6 16100	7600	12000	38.100 1.5000	38.090 1.4996	47.650 1.8760	47.635 1.8754	0.078 0.172
	38.100 1.5000	47.625 1.8750	31.75 1.250	WJ-243020	57.8 13000	93.0 20900	7600	12000	38.100 1.5000	38.090 1.4996	47.650 1.8760	47.635 1.8754	0.083 0.184
	38.100 1.5000	47.625 1.8750	38.10 1.500	WJ-243024	68.1 15300	114.8 25800	7600	12000	38.100 1.5000	38.090 1.4996	47.650 1.8760	47.635 1.8754	0.100 0.220
	38.100 1.5000	47.625 1.8750	44.45 1.750	WJ-243028	77.4 17400	135.7 30500	7600	12000	38.100 1.5000	38.090 1.4996	47.650 1.8760	47.635 1.8754	0.134 0.295
1¾	44.450 1.7500	53.975 2.1250	19.05 0.750	WJ-283412	39.5 8870	59.6 13400	6400	9900	44.450 1.7500	44.440 1.7496	54.003 2.1261	53.985 2.1254	0.058 0.127
	44.450 1.7500	53.975 2.1250	25.40 1.000	WJ-283416	52.0 11700	85.0 19100	6400	9900	44.450 1.7500	44.440 1.7496	54.003 2.1261	53.985 2.1254	0.084 0.185
	44.450 1.7500	53.975 2.1250	38.10 1.500	WJ-283424	74.7 16800	136 30600	6400	9900	44.450 1.7500	44.440 1.7496	54.003 2.1261	53.985 2.1254	0.115 0.253
2	50.800 2.0000	60.325 2.3750	19.05 0.750	WJ-323812	42.8 9610	69 15500	5600	8600	50.800 2.0000	50.787 1.9995	60.353 2.3761	60.335 2.3754	0.065 0.143
	50.800 2.0000	60.325 2.3750	25.40 1.000	WJ-323816	56.5 12700	98 22100	5600	8600	50.800 2.0000	50.787 1.9995	60.353 2.3761	60.335 2.3754	0.105 0.231
	50.800 2.0000	60.325 2.3750	31.75 1.250	WJ-323820	69.0 15500	127 28700	5600	8600	50.800 2.0000	50.787 1.9995	60.353 2.3761	60.335 2.3754	0.108 0.238
	50.800 2.0000	60.325 2.3750	38.10 1.500	WJ-323824	81.0 18200	157 35300	5600	8600	50.800 2.0000	50.787 1.9995	60.353 2.3761	60.335 2.3754	0.130 0.286
2⅛	52.388 2.0625	61.913 2.4375	25.40 1.000	WJ-333916	57.8 13000	102 23100	5400	8300	52.388 2.0625	52.375 2.0620	61.940 2.4386	61.923 2.4379	0.099 0.218
2⅜	53.975 2.1250	63.500 2.5000	25.40 1.000	WJ-344016	52.5 11800	92.08 20700	5200	8000	53.975 2.1250	53.962 2.1245	63.528 2.5011	63.510 2.5004	0.089 0.196
	53.975 2.1250	63.500 2.5000	38.10 1.500	WJ-344024	78.3 17600	153 34500	5200	8000	53.975 2.1250	53.962 2.1245	63.528 2.5011	63.510 2.5004	0.137 0.302

· Load ratings are based on a minimum raceway hardness of 58 HRC or equivalent.  
· Minimum axial clearance should be 0.02 mm (0.008 in).

Shaft Dia.	F <sub>w</sub>	E <sub>w</sub>	B <sub>c</sub> +0 -0.38 -0.015	Assembly Designation	Load Ratings		Speed Rating		S (ISO h5)		H (ISO G6)		Wt.
					C	C <sub>0</sub>	Grease	Oil	Max.	Min.	Max.	Min.	
					kN lbf		min <sup>-1</sup>		mm in	mm in	mm in	mm in	
2⅜	55.563 2.1875	65.088 2.5625	19.05 0.750	WJ-354112	44.5 10000	75.17 16900	5000	7800	55.563 2.1875	55.550 2.1870	65.115 2.5636	65.098 2.5629	0.070 0.155
	55.563 2.1875	65.088 2.5625	25.40 1.000	WJ-354116	57.8 13000	107 24100	5000	7800	55.563 2.1875	55.550 2.1870	65.115 2.5636	65.098 2.5629	0.094 0.207
2¼	57.150 2.2500	66.675 2.6250	25.40 1.000	WJ-364216	53.8 12100	96.08 21600	4900	7500	57.150 2.2500	57.137 2.2495	66.703 2.6261	66.685 2.6254	0.096 0.212
	57.150 2.2500	66.675 2.6250	31.75 1.250	WJ-364220	67.6 15200	128 28900	4900	7500	57.150 2.2500	57.137 2.2495	66.703 2.6261	66.685 2.6254	0.120 0.265
2⅜	60.325 2.3750	69.850 2.7500	38.10 1.500	WJ-384424	81.4 18300	167 37600	4600	7100	60.325 2.3750	60.312 2.3745	69.878 2.7511	69.860 2.7504	0.151 0.334
2½	63.500 2.5000	73.025 2.8750	25.40 1.000	WJ-404616	55.6 12500	104 23400	4400	6700	63.500 2.5000	63.487 2.4995	73.053 2.8761	73.035 2.8754	0.106 0.234
	63.500 2.5000	73.025 2.8750	31.75 1.250	WJ-404620	69.8 15700	139 31400	4400	6700	63.500 2.5000	63.487 2.4995	73.053 2.8761	73.035 2.8754	0.132 0.292
	63.500 2.5000	73.025 2.8750	38.10 1.500	WJ-404624	83.2 18700	173 39100	4400	6700	63.500 2.5000	63.487 2.4995	73.053 2.8761	73.035 2.8754	0.179 0.395
2¾	69.850 2.7500	79.375 3.1250	25.40 1.000	WJ-445016	57.8 13000	112.54 25300	4000	6100	69.850 2.7500	69.837 2.7495	79.403 3.1261	79.385 3.1254	0.116 0.256
3	76.200 3.0000	85.725 3.3750	25.40 1.000	WJ-485416	59.6 13400	120.55 27100	3600	5600	76.200 3.0000	76.187 2.9995	85.761 3.3764	85.738 3.3755	0.126 0.278
	76.200 3.0000	85.725 3.3750	38.10 1.500	WJ-485424	85.4 19200	191.72 43100	3600	5600	76.200 3.0000	76.187 2.9995	85.761 3.3764	85.738 3.3755	0.189 0.416
3¼	82.550 3.2500	92.075 3.6250	25.40 1.000	WJ-525816	61.4 13800	128.55 28900	3300	5100	82.550 3.2500	82.535 3.2494	92.111 3.6264	92.088 3.6255	0.136 0.299
	82.550 3.2500	92.075 3.6250	38.10 1.500	WJ-525824	88.1 19800	204.62 46000	3300	5100	82.550 3.2500	82.535 3.2494	92.111 3.6264	92.088 3.6255	0.220 0.486
3½	88.900 3.5000	98.425 3.8750	25.40 1.000	WJ-566216	63.2 14200	136.56 30700	3100	4700	88.900 3.5000	88.885 3.4994	98.461 3.8764	98.438 3.8755	0.146 0.321
	88.900 3.5000	101.600 4.0000	25.40 1.000	WJ-566416	79.6 17900	150.35 33800	3100	4800	88.900 3.5000	88.885 3.4994	101.636 4.0014	101.613 4.0005	0.197 0.435
	88.900 3.5000	101.600 4.0000	38.10 1.500	WJ-566424	113 25600	237.53 53400	3100	4800	88.900 3.5000	88.885 3.4994	101.636 4.0014	101.613 4.0005	0.296 0.653
4	101.600 4.0000	114.300 4.5000	25.40 1.000	WJ-647216	83.6 18800	166.59 37450	2700	4200	101.600 4.0000	101.585 3.9994	114.336 4.5014	114.313 4.5005	0.224 0.493
	101.600 4.0000	114.300 4.5000	38.10 1.500	WJ-647224	119 26800	263.33 59200	2700	4200	101.600 4.0000	101.585 3.9994	114.336 4.5014	114.313 4.5005	0.335 0.739
5	127.000 5.0000	152.400 6.0000	38.10 1.500	WJ-809624	211 47600	365.20 82100	2200	3400	127.000 5.0000	126.982 4.9993	152.438 6.0015	152.415 6.0006	1.018 2.244



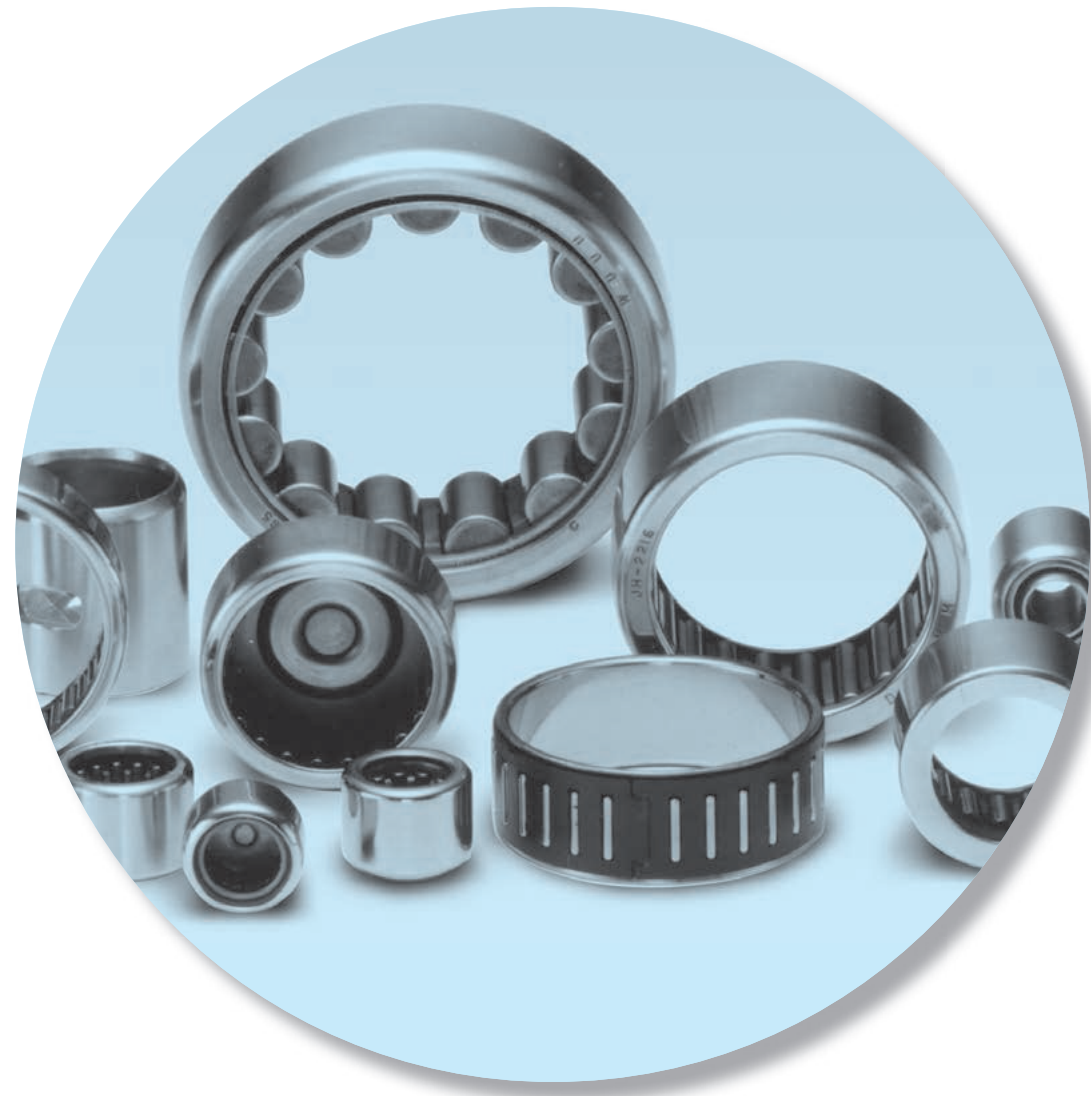


NOTES

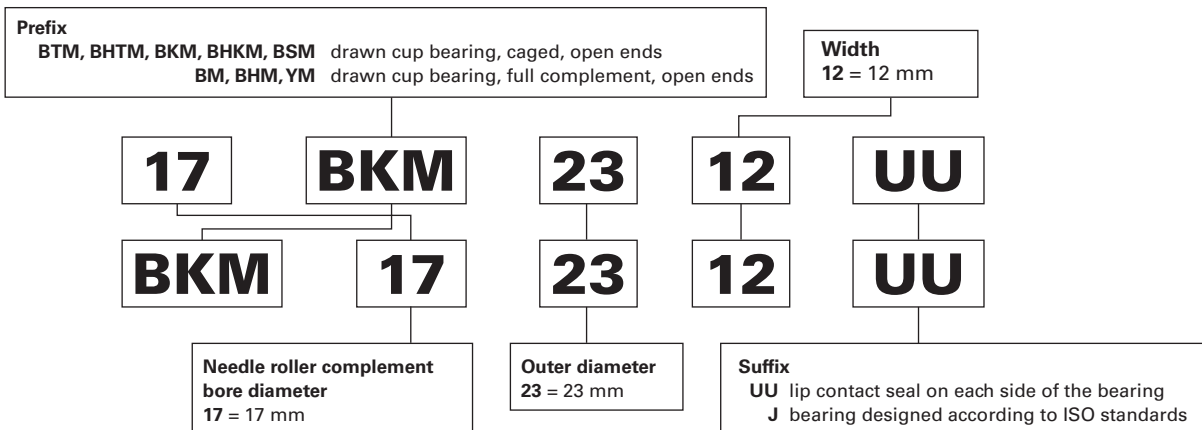
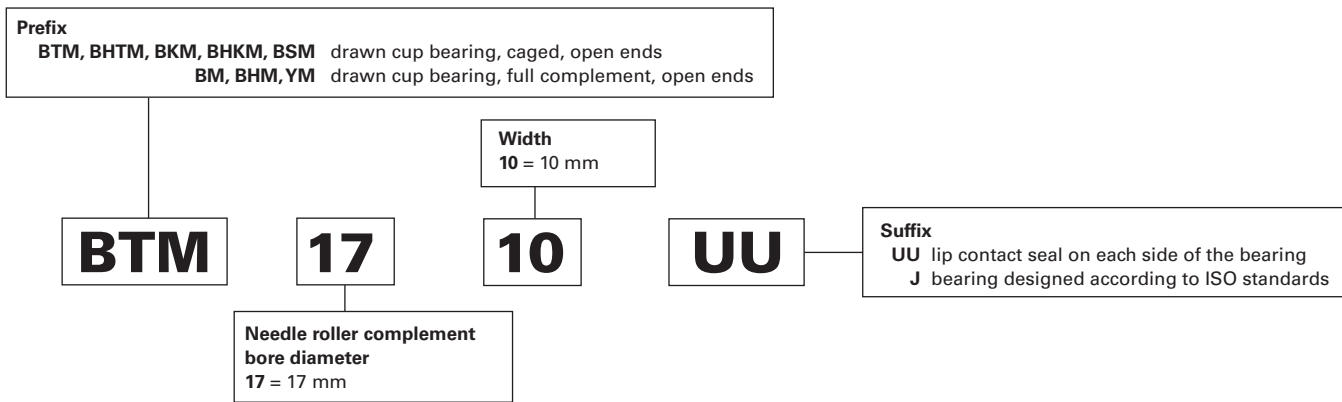
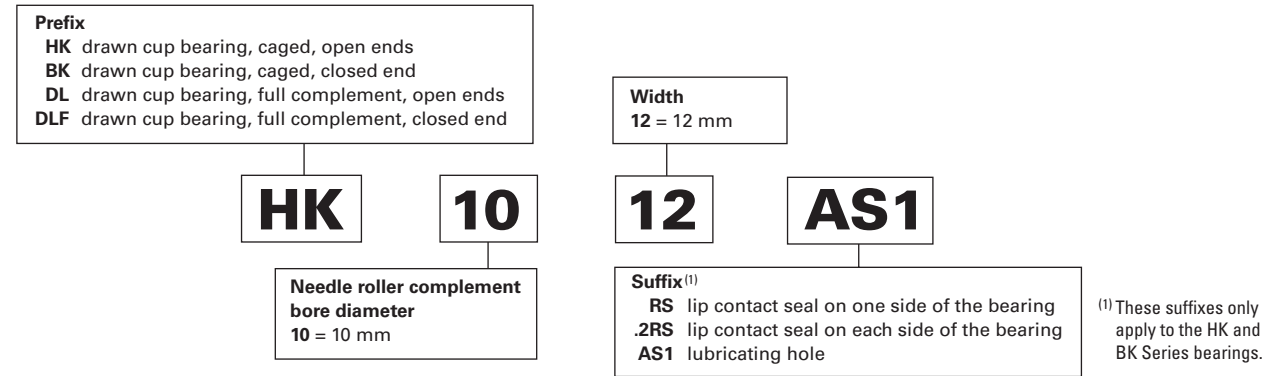
**DRAWN CUP NEEDLE ROLLER BEARINGS**

**Overview:** Drawn cup needle roller bearings support radial loads and reduce friction between rotating components, with a drawn outer shell serving as a raceway for the rollers. The small cross section of the drawn cup bearing provides high load-carrying capability with minimum required space. Drawn cup bearings are easily installed with a press fit in the housing.

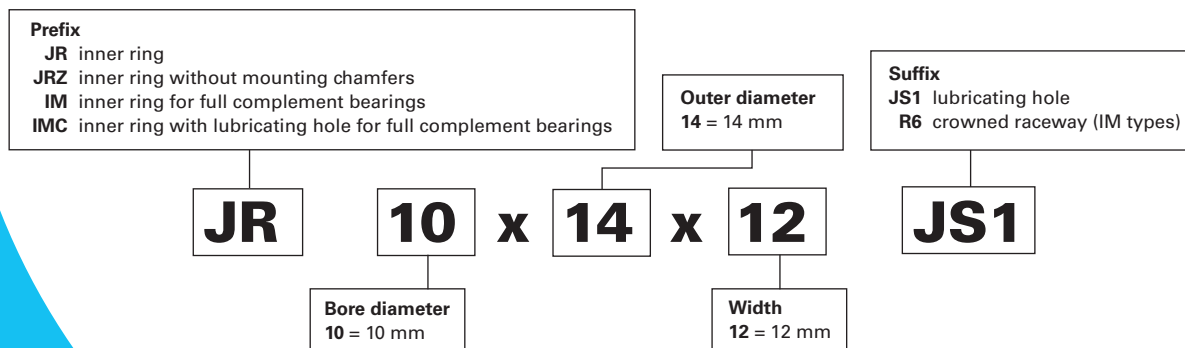
- **Catalogue range:** 3 mm – 139.7 mm (0.1181 in – 5.5000 in) bore.
- **Markets:** Transmissions, transfer cases, engines, valve trains, steering and braking systems, axle supports, outboard engines, power tools, copiers, fax machines, paper-moving equipment and appliances.
- **Features:** Available in two basic designs: full complement and caged.
- **Benefits:** Full complement bearings handle high radial load-carrying capability. Caged bearings provide high speed and maximum lubricant-retention capability.



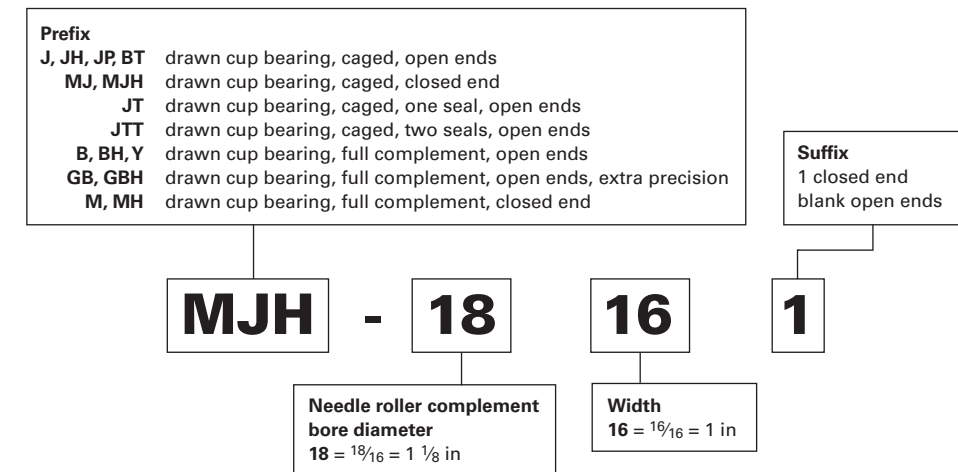
## Drawn Cup Needle Roller Bearings – Metric Nominal Dimensions



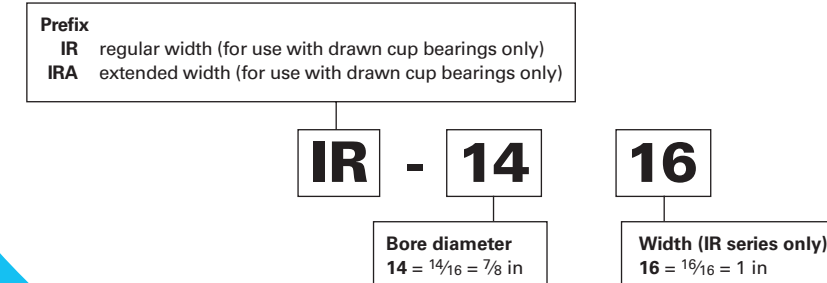
## Inner Rings – Metric Nominal Dimensions



## Drawn Cup Needle Roller Bearings – Inch Nominal Dimensions



## Inner Rings (with four-digit number) Inch Nominal Dimensions





# ***Drawn Cup Needle Roller Bearings***

	<i>Page</i>
Introduction .....	B-2-6
<b>Caged, Open Ends, Closed One End – Metric Series</b>	
HK, BK Series .....	B-2-14
BSM, BKM, BTM, BHTM Series .....	B-2-20
<b>Sealed – Metric Series</b>	
HK RS, BK RS, HK.2RS Series .....	B-2-24
BKM UU, BHKM UU Series .....	B-2-26
<b>Inner Rings – Metric Series .....</b>	<b>B-2-27</b>
<b>Full Complement Open Ends, Closed One End – Metric Series</b>	
DL, DLF Series .....	B-2-38
BM, BHM, YM Series .....	B-2-41
<b>Inner Rings for Full Complement Drawn Cup Needle Roller Bearings – Metric Series .....</b>	<b>B-2-43</b>
<b>Drawn Cup Needle Roller Bearings – Inch Series .....</b>	<b>B-2-46</b>
<b>Full Complement Bearings Open Ends, Closed One End – Inch Series</b>	
B, BH, M- 1, MH- 1 Series .....	B-2-54
B, Y Series .....	B-2-62
<b>Extra-Precision Bearings – Inch Series .....</b>	<b>B-2-63</b>
<b>Caged Bearings – Open Ends, Closed One End – Inch Series</b>	
J, JH, MJ- 1, MJH- 1 Series .....	B-2-66
BT Series .....	B-2-70
<b>Sealed Drawn Cup Bearings – Inch Series .....</b>	<b>B-2-72</b>
<b>Inner Rings for Inch Series Drawn Cup Bearings .....</b>	<b>B-2-74</b>



DRAWN CUP NEEDLE ROLLER BEARINGS

METRIC SERIES

When a rolling bearing is needed for a compact and economic design and where it is not practical to harden and grind the housing bore, or where the housing materials are of low rigidity such as cast iron, aluminum or even plastics – drawn cup needle roller bearings should be considered.

REFERENCE STANDARDS ARE:

- ISO 3245 – rolling bearings – needle roller bearings, drawn cup, without inner ring, boundary dimensions and tolerances.
ANSI/ABMA 18.1 – needle roller bearings – radial, metric design.
DIN 618 – needle roller bearings with cage – drawn cups with open end, drawn cup with closed end.
JIS B 1536 – rolling bearings – needle roller bearings – boundary dimensions and tolerances.

Before selecting specific drawn cup needle roller bearings, please review the engineering section of this catalog.

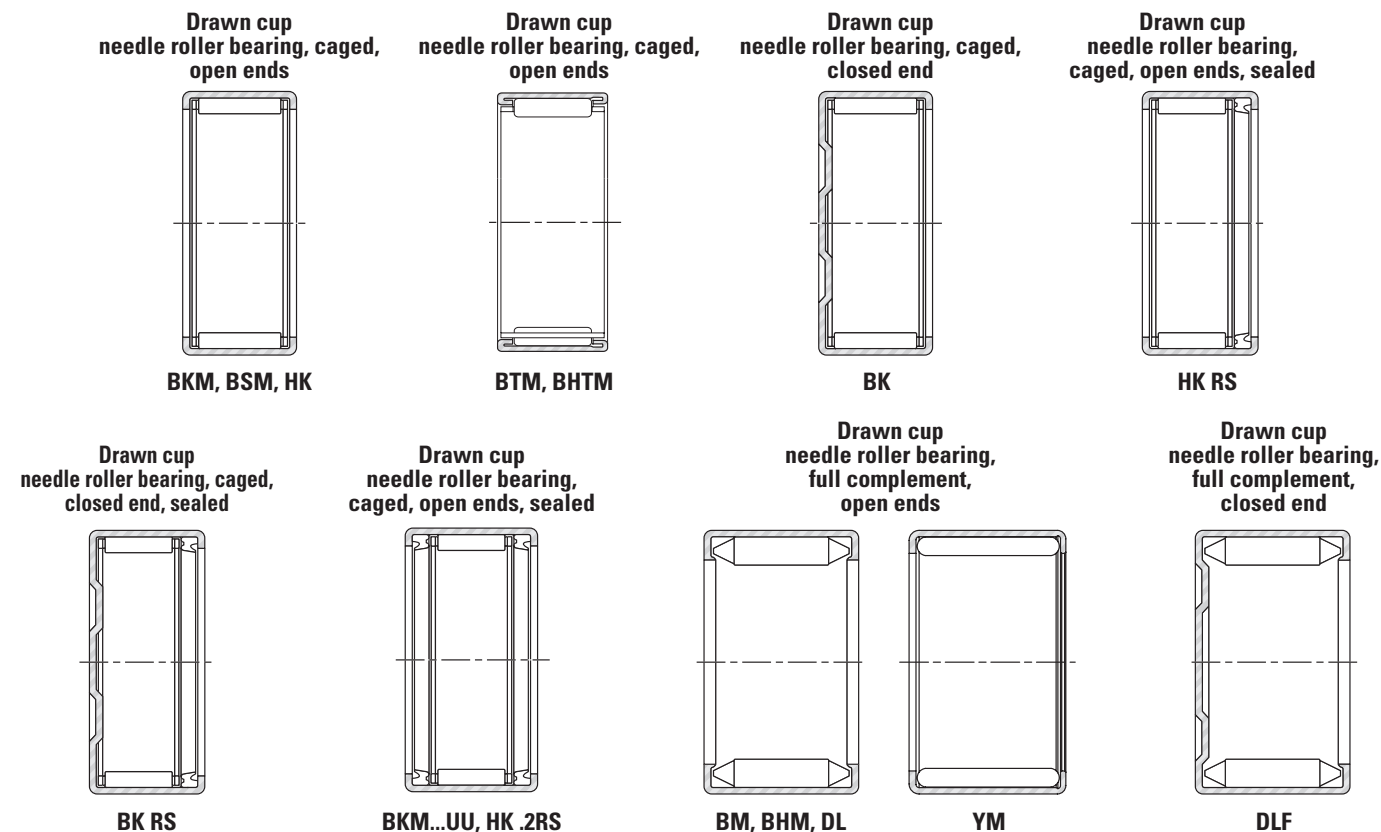


Fig. B2-1. Types of metric series drawn cup needle roller bearings

CONSTRUCTION

The prefix letters in metric series drawn cup bearing designations denote whether the bearings are made with a full complement of needle rollers or caged needle rollers. The use of a full complement of needle rollers is indicated by the prefix code letters DL, BM, BHM, YM or DLF, and for use of caged needle rollers by the prefix code letters HK, BKM, BTM, BHTM, BSM or BK.

The outer ring, in the form of a cup, is accurately drawn and no subsequent machining is performed. Drawn cup needle roller bearings of series HK, BKM, BTM, BHTM, BSM, DL, BM, BHM and YM have open ends. The HK and BKM series also are available

with one seal, HK RS, and with two seals, HK 2RS and BKM UU. The stamped lip of a drawn cup needle roller bearing of series HK RS is at the seal end.

Drawn cup needle roller bearings of series BK and DLF are closed at one end. They are used for shaft-end mounting. The open end is typically not sealed.

The one-piece steel cage used in HK, BKM and BK series drawn cup bearings is designed to provide rigidity and minimize wear. This cage design separates the needle roller guiding and retention functions.

Drawn cup needle roller bearings also are available with two needle roller and cage assemblies. They have a lubricating hole in the outer ring. Metric series drawn cup bearings with one needle roller and cage assembly may be made available on request with a lubricating hole, indicated by suffix AS1 and JS1.

SEALED BEARINGS

The HK and BKM series drawn cup bearings are offered with integral seals. The tables of dimensions on pages B-2-24 to B-2-26, indicate those sizes available with lip contact seals. The seal lip design achieves a light and constant contact with the inner raceway throughout the range of mounted bearing clearances, thereby ensuring positive sealing and low frictional drag.

Sealed drawn cup needle roller bearings are intended to retain grease or non-pressurized oil within a bearing while also preventing contaminants from entering the raceway area.

Details of shaft design for sealed bearings are given in the engineering section of this catalog.

The standard lip contact seals are compatible with common lubricating oils and petroleum based fuels; but, they are adversely affected by certain fire-resistant hydraulic fluids and most common solvents. Sealed drawn cup bearings are normally filled with a high-quality lithium soap-based general purpose grease. The seal material and grease properties limit the bearing operating temperature between -30° C and +100° C (-22° F and +212° F).

If the operating temperature must be outside of the range for the seals mentioned here, or if the seals are exposed to unusual fluids, please consult your representative.

BEARING MOUNTING FITS AND INTERNAL CLEARANCE

Drawn cup needle roller bearings are manufactured to a degree of precision that will satisfy the radial clearance requirements of most applications. The total radial clearance for an installed drawn cup bearing results from the buildup of manufacturing tolerances of the housing bore, the inner raceway diameter and the bearing, as well as the minimum radial clearance required for the application (reference Table B2-1 on page B-2-8).

For metric series caged drawn cup needle roller bearings requiring close control of radial internal clearance, the suggested housing bore tolerance is N6 and h5 tolerance for the inner raceway diameter. When such exacting close control of radial internal clearance is not required, the user may select N7 housing bore and h6 inner raceway diameter tolerances.

For metric series full complement drawn cup bearings requiring close control of radial internal clearance, the suggested housing bore tolerance is H6 and h5 tolerance for the inner raceway diameter. When such exacting close control of radial internal

clearance is not required, the user may select H7 housing bore and h6 inner raceway diameter tolerances.

TOLERANCES FOR HOUSING MATERIALS OF LOW RIGIDITY

The suggested housing bore tolerance for metric series caged drawn cup bearings used in housings made from materials of low rigidity or steel housings of small section is R6. To maintain normal radial internal clearance, the inner raceway diameter tolerance should be h5. When such exacting close control of radial internal clearance is not required, the user may select R7 housing bore and h6 inner raceway diameter tolerances.

The suggested housing bore tolerance for metric series full complement drawn cup bearings used in housings made from materials of low rigidity or steel housings of small section is M6. To maintain normal radial internal clearance, the inner raceway diameter tolerance should be h5. When such exacting close control of radial internal clearance is not required, the user may select M7 housing bore and h6 inner raceway diameter tolerances.

OUTER RING ROTATION

For metric series caged drawn cup bearing applications where the outer ring rotates with respect to the load, it is suggested that both the housing bore and the inner raceway diameter be reduced using R6 and f5 tolerance practice respectively. The user may select R7 housing bore and f6 inner raceway diameter tolerance when such exacting close control of radial internal clearance is not required.

For metric series full complement drawn cup bearings applications where the outer ring rotates with respect to the load, it is suggested that both the housing bore and the inner raceway diameter tolerance be reduced using is M6 and f5 tolerance practice respectively. The user may select M7 housing bore and f6 inner raceway diameter tolerances when such exacting close control of radial internal clearance is not required.

OSCILLATING MOTION

Metric series drawn cup needle roller bearing applications involving oscillating motion may require reduced radial internal clearances. This reduction may be accomplished by increasing the inner raceway diameter using j5 tolerance. When such exacting close control of radial clearance is not required, the user may select j6 inner raceway diameter tolerances.



Table B2-1. Metric mounting fits

Table with 4 columns: Bearing type, Operating condition, Shaft fit (recommended internal radial clearances), Housing fit (recommended internal radial clearances). Rows include various bearing types like HK, BK, DL, etc. and their corresponding fit specifications.

(1) Tolerance dependent on housing design.

INNER RINGS

When it becomes impractical to meet the shaft raceway design requirements (hardness, case depth, surface finish, etc.) outlined in the engineering section of this catalog, standard inner rings may be used with metric series drawn cup bearings. It is suggested that when metric series inner rings are used with metric series drawn cup bearings, they should be mounted with a loose transition fit on the shaft using g5 shaft diameter tolerance.

LOAD RATING FACTORS

DYNAMIC LOADS

Drawn cup needle roller bearings can accommodate only radial loads.

P = Fr

P = The maximum dynamic radial load that may be applied to a drawn cup bearing based on the dynamic load rating, C given in the bearing tables. This load should be <= C/3.

STATIC LOADS

f0 = C0 / P0

f0 = static load safety factor

C0 = basic static load rating (kN)

P0 = maximum applied static load (kN)

To ensure satisfactory operation of drawn cup needle roller bearings, under all types of conditions, the static load safety factor f0 should be >= 3.

ADJUSTED RATING LIFE

When application data includes details of operating temperature, oil viscosity, operating speed and the applied load meets the <= C/3 condition adjusted rating life may be evaluated using the information given in the engineering section.

INSPECTION OF DRAWN CUP NEEDLE ROLLER BEARINGS

Although the bearing cup is accurately drawn from strip steel, because of its fairly thin section, it may go out-of-round during heat treatment. When the bearing is pressed into a true round housing, or ring gage of correct size and wall thickness, it becomes round and is sized properly. For this reason, it is incorrect to inspect an unmounted drawn cup bearing by measuring the outer diameter.

The correct method for inspecting the bearing size is to:

- 1. Press the bearing into a ring gage of proper size.
2. Plug the bearing bore with the appropriate "go" and "no go" gages, or measure it with a tapered arbor (lathe mandrel).

- HK, BK and DL series

The "go" gage size is the minimum needle roller complement bore diameter.

The "no go" gage size is larger than the maximum needle roller complement bore diameter by 0.002 mm (0.0001 in). (Tables B2-2 and B2-3)

- BTM, BHTM, BSM, BKM, BM and YM series

The inspection gage (ring gage and plug gage) sizes are listed in Table B2-4.

NOTE

SPECIAL BEARINGS. There are bearings available with other cage designs, and materials such as reinforced engineered polymer for use where operating conditions permit.

Table B2-2. Caged bearing gage sizes

Table with 4 columns: Nominal bore diameter, Ring gage, Needle roller complement bore diameter (Max., Min.). Rows list various bore diameters from 3.000 to 60.000 mm.

(1) The ring gage sizes are in accordance with ISO N6 lower limit.

Table B2-3. Full complement bearing gage sizes

Table with 4 columns: Nominal bore diameter, Ring gage, Needle roller complement bore diameter (Max., Min.). Rows list various bore diameters from 6.000 to 55.000 mm.



**Table B2-4. Needle roller bearing gage sizes (metric series)**

Needle roller complement bore diameter Fw nominal size	Ring gage	Plug gage		Needle roller complement bore diameter Fw nominal size	Ring gage	Plug gage	
		Go	No go			Go	No go
mm	mm	mm	mm	mm	mm	mm	mm
4	7.996	4.023	4.048	22	27.972 28.972 29.972	22.013	22.038
5	8.996	5.023	5.048	24	29.972 30.967 34.967	24.013	24.038
6	9.996	6.028	6.053	25	31.967 32.967	25.013	25.038
7	10.995	7.031	7.056	26	33.967	26.013	26.038
8	11.995 14.995	8.031	8.056	28	33.967 34.967 36.967	28.013	28.038
9	12.995 15.995	9.031	9.056	30	36.967 37.967 39.967	30.013	30.038
10	13.995 16.995	10.031	10.056	32	37.967 39.967 41.967	32.013	32.038
12	15.995 17.995 18.993	12.031	12.056	35	41.967 44.967	35.013	35.038
13	18.993	13.034	13.059	36	41.967 43.967 47.967	36.013	36.038
14	18.993 19.993 21.993	14.034	14.059	37	42.967 46.967	37.013	37.038
15	19.993 20.993 21.993	15.034	15.059	38	47.967	38.013	38.038
16	21.993 23.993	16.034	16.059	40	46.967 49.967	40.013	40.043
17	21.972 22.972 23.972	17.013	17.038	45	51.961 54.961	45.013	45.043
18	23.972 24.972	18.013	18.038	50	57.961 61.961	50.013	50.043
19	26.972	19.013	19.038	55	62.961	55.013	55.051
20	25.972 26.972	20.013	20.038				

**INSTALLATION PROCEDURES**

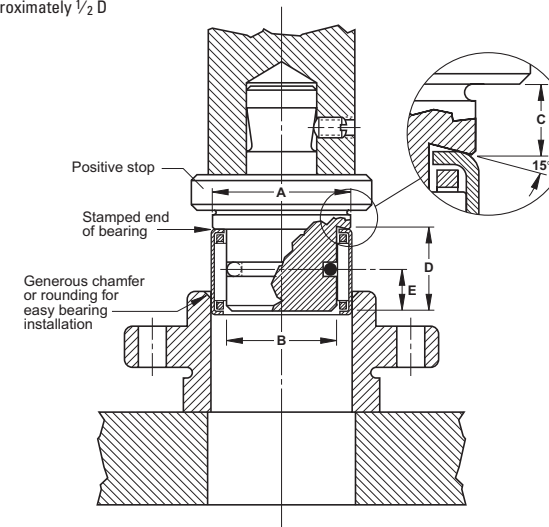
**GENERAL INSTALLATION REQUIREMENTS**

- A drawn cup needle roller bearing must be pressed into its housing.
- An installation tool, similar to the ones illustrated must be used in conjunction with a standard press.
- The bearing must not be hammered into its housing, even in conjunction with the proper assembly mandrel.
- The bearing must not be pressed tightly against a shoulder in the housing.
- If it is necessary to use a shouldered housing, the depth of the housing bore must be sufficient to ensure that the housing shoulder fillet, as well as the shoulder face, clears the bearing.
- The installation tool must be coaxial with the housing bore.

**INSTALLATION OF OPEN ENDS CAGED BEARINGS**

It is advisable to utilize a positive stop on the press tool to locate the bearing properly in the housing. The assembly tool should have a leader or a pilot, as shown, to aid in starting the bearing true in the housing. The "O" ring shown on the drawing may be used to assist in holding the bearing on the installation tool. The bearing should be installed with the stamped end (the end with the identification markings) against the angled shoulder of the pressing tool.

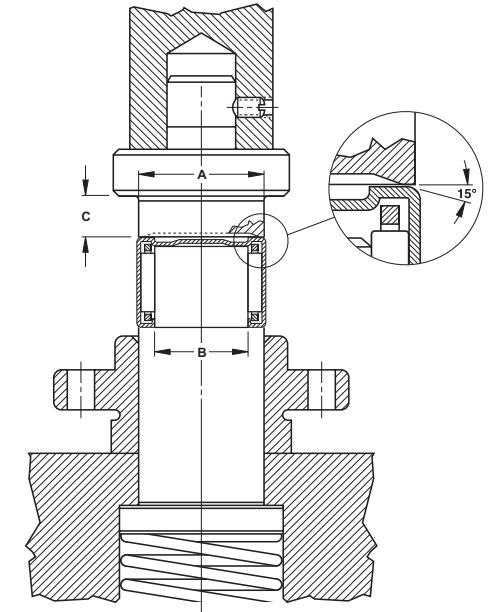
- A – 0.40 mm (0.016 in) less than housing bore
- B – 0.08 mm (0.003 in) less than shaft diameter
- C – distance bearing will be inset into housing, minimum of 0.20 mm (0.008 in)
- D – pilot length should be length of bearing less 0.80 mm (0.030 in)
- E – approximately 1/2 D



**Fig. B2-2. Installation of open ends caged bearings**

**INSTALLATION OF CLOSED END CAGED BEARINGS**

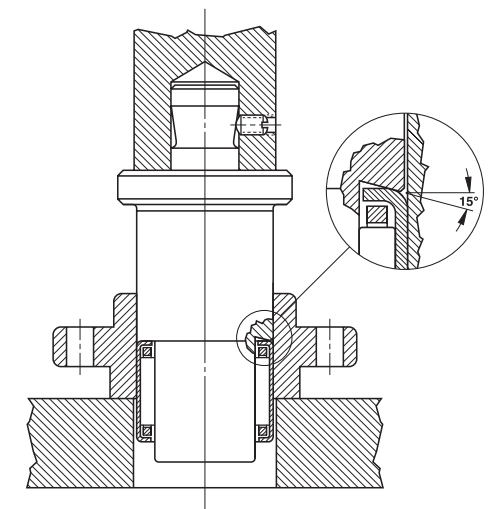
Bearing can be piloted from below for installation.



**Fig. B2-3. Installation of closed end caged bearings**

**EXTRACTION FROM A STRAIGHT HOUSING (CAGED AND FULL COMPLEMENT BEARINGS)**

Bearing can be extracted by pushing it through the housing. After extraction, the drawn cup needle roller bearing should not be reused.



**Fig. B2-4. Extraction from a straight housing**



**INSTALLATION OF OPEN ENDS FULL COMPLEMENT BEARINGS**

It is advisable to utilize a positive stop on the press tool to locate the bearing properly in the housing. The assembly tool should have a leader or a pilot, as shown, to aid in starting the bearing true in the housing. The ball detent shown on the drawing is used to assist in aligning the rollers of a full complement bearing during installation and to hold the bearing on the installation tool. The bearing should be installed with the marked end (the end with identification markings) against the angled shoulder of the pressing tool.

- A – 0.40 mm (0.016 in) less than housing bore
- B – 0.08 mm (0.003 in) less than shaft diameter
- C – distance bearing will be inset into housing, minimum of 0.20 mm (0.008 in)
- D – pilot length should be length of bearing less 0.80 mm (0.030 in)
- E – approximately 1/2 D

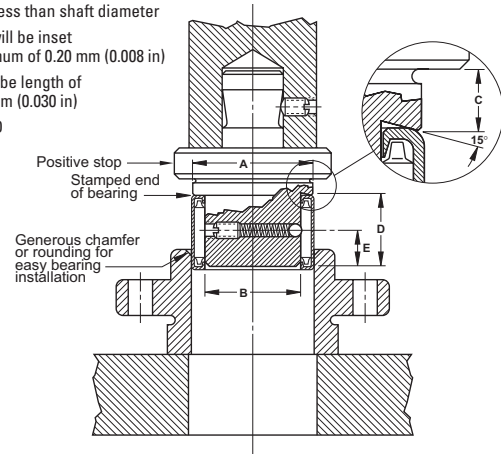


Fig. B2-5. Installation of open ends full complement bearings

**INSTALLATION OF CLOSED END FULL COMPLEMENT BEARINGS**

The installation tool combines all the features of the tool used to install open end bearings, but the pilot is spring loaded and is part of the press bed.

The angled shoulder of the pressing tool should bear against the closed end with the bearing held on the pilot to aid in starting the bearing true in the housing.

- A – 0.40 mm (0.016 in) less than housing bore
- B – 0.08 mm (0.003 in) less than shaft diameter
- C – distance bearing will be inset into housing, minimum of 0.20 mm (0.008 in)

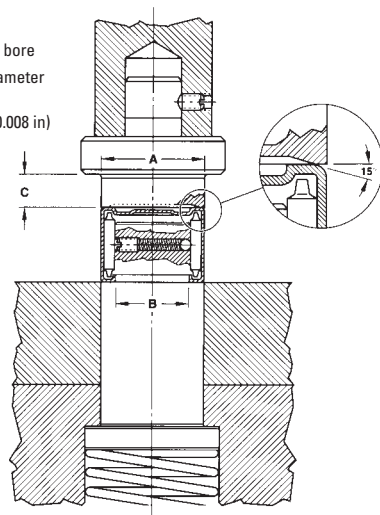


Fig. B2-6. Installation of closed end full complement bearings

**EXTRACTION FROM A SHOULDERED OR DEAD END HOUSING (CAGED AND FULL COMPLEMENT BEARINGS) (with space between the bearing and the housing shoulder)**

Bearings may be extracted from shouldered or dead end housings with a common bearing puller tool as shown. This type of tool is slotted in two places at right angles to form four prongs. The four puller prongs are pressed together and inserted into the space between the end of the bearing and the shoulder. The prongs are forced outward by inserting the expansion rod, and then the bearing is extracted. Do not reuse the bearing after extraction.

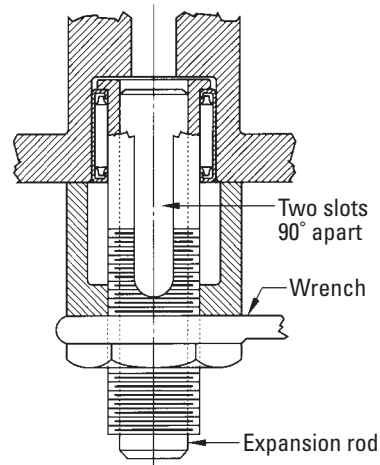


Fig. B2-7. Extraction from a shouldered or dead end housing

**EXTRACTION FROM A SHOULDERED HOUSING (CAGED AND FULL COMPLEMENT BEARINGS) (with bearing pressed up close to the shoulder)**

The tool to be used, as shown, is of a similar type described for a shouldered or dead end housing, but the rollers must first be removed from the bearing.

The four segment puller jaws are collapsed and slipped into the empty cup. The jaws are then forced outward into the cup bore by means of the tapered expansion rod. The jaws should bear on the lip as near as possible to the cup bore. The cup is then pressed out from the top.

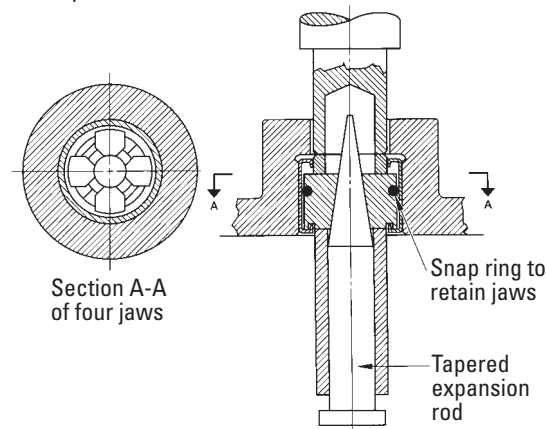


Fig. B2-8. Extraction from a shouldered housing

**NOTES**



DRAWN CUP NEEDLE ROLLER BEARINGS
CAGED, OPEN ENDS, CLOSED ONE END

METRIC SERIES
HK, BK SERIES

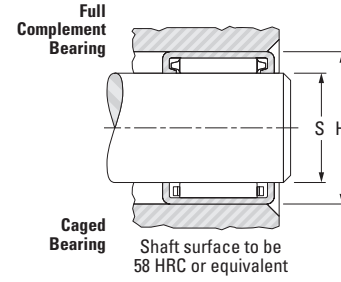
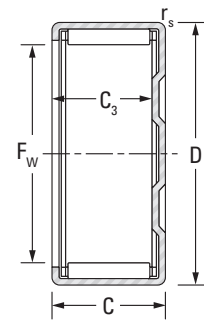
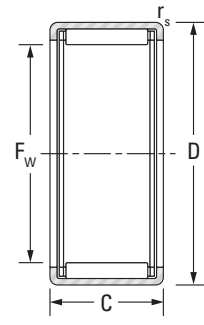


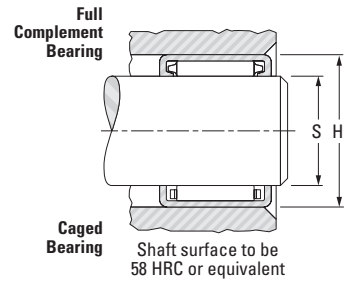
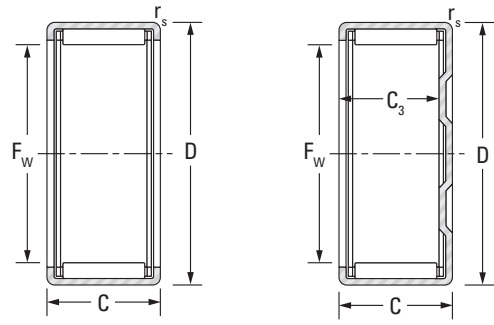
Table with columns: Shaft Dia., Fw, D, C, C3 min, rs min, Bearing Designation, Load Ratings, Speed Rating, Approx. Wt., Inspection gage, Mounting inner ring. Rows include series 3, 4, 5, 6, 7, 8, 9.

Note) For the recommended mounting dimensions see Table B2-1. (1) Drawn cup needle roller bearings with two needle roller and cage assemblies and one lubricating hole.

Table with columns: Shaft Dia., Fw, D, C, C3 min, rs min, Bearing Designation, Load Ratings, Speed Rating, Approx. Wt., Inspection gage, Mounting inner ring. Rows include series 9, 10, 12, 13, 14, 15, 16.

Continued on next page.



**DRAWN CUP NEEDLE ROLLER BEARINGS**  
**CAGED,**  
**OPEN ENDS,**  
**CLOSED ONE END****METRIC SERIES**  
**HK, BK SERIES****HK****BK**

Shaft Dia.	F <sub>w</sub>	D	C		C <sub>3 min</sub>	f <sub>s min</sub>	Bearing Designation		Load Ratings		Speed Rating		Approx. Wt.	Inspection gage	Mounting inner ring (pages B-2-28 to B-2-37)
			+0 -0.3	+0.000 -0.012			Open Ends	Closed One End	Dynamic C	Static C <sub>0</sub>	Grease	Oil			
			mm in	mm in											
16	16	22	12	—	—	1	HK1612	—	7.76 1740	9.72 2190	14000	21000	0.012 0.026	Table B2-2	JR12x16x12
	16	22	16	13.30	—	1	—	BK1616	11.1 2500	15.3 3440	14000	21000	0.02 0.044	Table B2-2	JR12x16x16
	16	22	16	—	—	1	HK1616	—	11.1 2500	15.3 3440	14000	21000	0.016 0.035	Table B2-2	JR12x16x16
	16	22	22	19.30	—	1	—	BK1622 <sup>(1)</sup>	13.4 3010	19.5 4380	14000	21000	0.028 0.062	Table B2-2	JR12x16x22
	16	22	22	—	—	1	HK1622 <sup>(1)</sup>	—	13.40 3010	19.5 4380	14000	21000	0.022 0.049	Table B2-2	JR12x16x22
17	17	23	12	9.30	—	1	—	BK1712	8.12 1830	10.4 2340	13000	20000	0.018 0.040	Table B2-2	
	17	23	12	—	—	1	HK1712	—	8.12 1830	10.4 2340	13000	20000	0.013 0.029	Table B2-2	
18	18	24	12	9.30	—	1	—	BK1812	8.41 1890	11.11 2500	12000	18000	0.017 0.037	Table B2-2	
	18	24	12	—	—	1	HK1812	—	8.41 1890	11.11 2500	12000	18000	0.015 0.033	Table B2-2	
	18	24	16	13.30	—	1	—	BK1816	11.6 2610	16.8 3780	12000	18000	0.022 0.049	Table B2-2	JR15x18x16,5
	18	24	16	—	—	1	HK1816	—	11.6 2610	16.8 3780	12000	18000	0.018 0.040	Table B2-2	JR15x18x16,5
20	20	26	12	9.3	—	1	—	BK2012	8.97 2020	12.5 2810	11000	16000	0.017 0.037	Table B2-2	JR15x20x12
	20	26	12	—	—	1	HK2012	—	8.97 2020	12.5 2810	11000	16000	0.015 0.033	Table B2-2	JR15x20x12
	20	26	16	13.3	—	1	—	BK2016	12.40 2790	18.90 4250	11000	16000	0.024 0.053	Table B2-2	JR17x20x16,5
	20	26	16	—	—	1	HK2016	—	12.40 2790	18.90 4250	11000	16000	0.022 0.049	Table B2-2	JR17x20x16,5
	20	26	20	17.3	—	1	—	BK2020	15.50 3480	25.30 5690	11000	16000	0.027 0.060	Table B2-2	JR17x20x20,5
	20	26	20	—	—	1	HK2020	—	15.50 3570	26.20 5890	11000	16000	0.025 0.055	Table B2-2	JR17x20x20,5

Note) For the recommended mounting dimensions see Table B2-1.  
(1) Drawn cup needle roller bearings with two needle roller and cage assemblies and one lubricating hole.

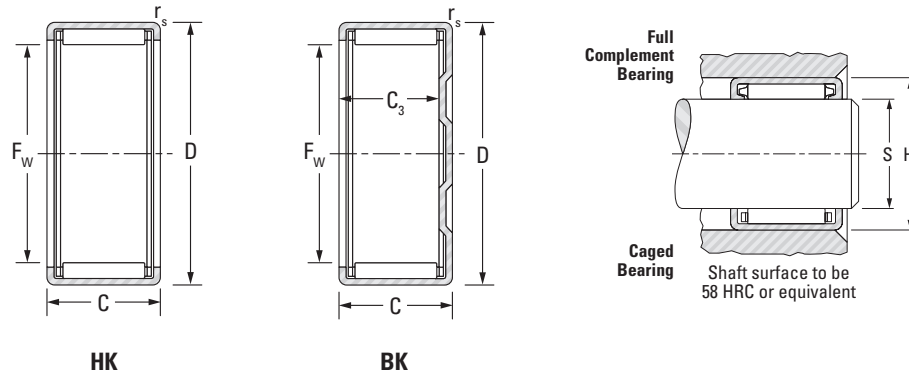
Shaft Dia.	F <sub>w</sub>	D	C		C <sub>3 min</sub>	f <sub>s min</sub>	Bearing Designation		Load Ratings		Speed Rating		Approx. Wt.	Inspection gage	Mounting inner ring (pages B-2-28 to B-2-37)
			+0 -0.3	+0.000 -0.012			Open Ends	Closed One End	Dynamic C	Static C <sub>0</sub>	Grease	Oil			
			mm in	mm in											
20	20	26	12	30	27.3	1	—	BK2030 <sup>(1)</sup>	21.20 4770	37.80 8500	11000	16000	0.043 0.095	Table B2-2	JR17x20x30,5
	20	26	12	30	—	1	HK2030 <sup>(1)</sup>	—	21.20 4770	37.80 8500	11000	16000	0.041 0.090	Table B2-2	JR17x20x30,5
22	22	28	10	8.4	8.4	1	—	BK2210	7.06 1587	9.49 2133	9600	15000	0.013 0.029	Table B2-2	
	22	28	10	—	—	1	HK2210	—	7.06 1587	9.49 2133	9600	15000	0.013 0.029	Table B2-2	
	22	28	12	9.3	9.3	1	—	BK2212	9.81 2210	14.50 3260	9600	15000	0.02 0.044	Table B2-2	JR17x22x13
	22	28	12	—	—	1	HK2212	—	9.81 2210	14.50 3260	9600	15000	0.015 0.033	Table B2-2	JR17x22x13
	22	28	16	13.3	13.3	1	—	BK2216	13.10 2940	20.90 4700	9600	15000	0.027 0.060	Table B2-2	JR17x22x16
	22	28	16	—	—	1	HK2216	—	13.10 2940	20.90 4700	9600	15000	0.022 0.049	Table B2-2	JR17x22x16
	22	28	20	17.3	17.3	1	—	BK2220	15.30 3440	25.50 5730	9600	15000	0.028 0.062	Table B2-2	JR17x22x23
	22	28	20	—	—	1	HK2220	—	15.30 3440	25.50 5730	9600	15000	0.026 0.057	Table B2-2	JR17x22x23
25	25	32	12	9.30	9.30	1	—	BK2512	10.90 2450	14.70 3300	8500	13000	0.025 0.055	Table B2-2	
	25	32	12	—	—	1	HK2512	—	10.90 2450	14.70 3300	8500	13000	0.021 0.046	Table B2-2	
	25	32	16	13.3	13.3	1	—	BK2516	15.60 3510	23.50 5280	8500	13000	0.031 0.068	Table B2-2	JR20x25x17
	25	32	16	—	—	1	HK2516	—	15.60 3510	23.50 5280	8500	13000	0.028 0.062	Table B2-2	JR20x25x17
	25	32	20	17.3	17.3	1	—	BK2520	20.60 4630	33.40 7510	8500	13000	0.043 0.095	Table B2-2	JR20x25x20,5
	25	32	20	—	—	1	HK2520	—	20.60 4630	33.40 7510	8500	13000	0.040 0.088	Table B2-2	JR20x25x20,5
	25	32	26	23.3	23.3	1	—	BK2526	25.70 5780	44.40 9980	8500	13000	0.051 0.112	Table B2-2	JR20x25x26,5
	25	32	26	—	—	1	HK2526	—	25.70 5780	44.40 9980	8500	13000	0.046 0.101	Table B2-2	JR20x25x26,5
	25	32	38	35.3	35.3	1	—	BK2538 <sup>(1)</sup>	35.30 7940	66.90 15000	8500	13000	0.077 0.170	Table B2-2	JR20x25x38,5
	25	32	38	—	—	1	HK2538 <sup>(1)</sup>	—	35.30 7940	66.90 15000	8500	13000	0.068 0.150	Table B2-2	JR20x25x38,5
28	28	35	16	13.30	13.30	1	—	BK2816	15.9 3570	24.9 5600	7500	12000	0.038 0.084	Table B2-2	JR22x28x17
	28	35	16	—	—	1	HK2816	—	15.9 3570	24.9 5600	7500	12000	0.032 0.071	Table B2-2	JR22x28x17
	28	35	20	17.3	17.3	1	—	BK2820	20.9 4700	35.3 7940	7500	12000	0.047 0.104	Table B2-2	JR22x28x20,5
	28	35	20	—	—	1	HK2820	—	20.9 4700	35.3 7940	7500	12000	0.040 0.088	Table B2-2	JR22x28x20,5

Continued on next page.



**DRAWN CUP NEEDLE ROLLER BEARINGS**  
**CAGED,**  
**OPEN ENDS,**  
**CLOSED ONE END**

**METRIC SERIES**  
**HK, BK SERIES**



Shaft Dia.	F <sub>w</sub>	D	C		C <sub>3</sub> min	r <sub>s</sub> min	Bearing Designation		Load Ratings		Speed Rating		Approx. Wt.	Inspection gage	Mounting inner ring (pages B-2-28 to B-2-37)
			+0	+0.000			Open Ends	Closed One End	Dynamic	Static	Grease	Oil			
			-0.3	-0.012											
mm in	mm in	mm in	mm in	mm in	mm in			kN lbf		min <sup>-1</sup>	kg lbs				
30 1.1811	30 1.1811	37 1.4567	12 0.472	9.3 0.366	1 0.039		BK3012	11.6 2610	16.8 3780	7000	11000	0.031 0.068	Table B2-2		
	30 1.1811	37 1.4567	12 0.472	—	1 0.039	HK3012	—	12.0 2700	17.7 3980	7000	11000	0.024 0.053	Table B2-2		
	30 1.1811	37 1.4567	16 0.630	13.30 0.524	1 0.039		BK3016	16.8 3780	27.3 6140	7000	11000	0.041 0.090	Table B2-2	JR25x30x17	
	30 1.1811	37 1.4567	16 0.630	—	1 0.039	HK3016	—	16.8 3780	27.3 6140	7000	11000	0.032 0.071	Table B2-2	JR25x30x17	
	30 1.1811	37 1.4567	20 0.787	17.3 0.681	1 0.039		BK3020	22.4 5040	39.6 8900	7000	11000	0.053 0.117	Table B2-2	JR25x30x20,5	
	30 1.1811	37 1.4567	20 0.787	—	1 0.039	HK3020	—	22.4 5040	39.6 8900	7000	11000	0.042 0.093	Table B2-2	JR25x30x20,5	
	30 1.1811	37 1.4567	26 1.024	23.3 0.917	1 0.039		BK3026	27.4 6160	51.2 11500	7000	11000	0.067 0.148	Table B2-2	JR25x30x26,5	
	30 1.1811	37 1.4567	26 1.024	—	1 0.039	HK3026	—	27.4 6160	51.2 11500	7000	11000	0.054 0.119	Table B2-2	JR25x30x26,5	
	30 1.1811	37 1.4567	38 1.496	35.3 1.390	1 0.039		BK3038 <sup>(1)</sup>	38.4 8630	79.2 17800	7000	11000	0.093 0.205	Table B2-2	JR25x30x38,5	
	30 1.1811	37 1.4567	38 1.496	—	1 0.039	HK3038 <sup>(1)</sup>	—	38.4 8630	79.2 17800	7000	11000	0.075 0.165	Table B2-2	JR25x30x38,5	
35 1.3780	35 1.3780	42 1.6535	12 0.472	—	1 0.039		HK3512	13.0 2920	20.6 4630	5900	9100	0.028 0.062	Table B2-2		
	35 1.3780	42 1.6535	16 0.630	—	1 0.039	HK3516	—	17.4 3910	29.9 6720	5900	9100	0.037 0.082	Table B2-2	JR30x35x17	
	35 1.3780	42 1.6535	20 0.787	17.3 0.681	1 0.039		BK3520	24.5 5510	46.8 10520	5900	9100	0.065 0.143	Table B2-2	JR30x35x20,5	
	35 1.3780	42 1.6535	20 0.787	—	1 0.039	HK3520	—	24.5 5510	46.8 10500	5900	9100	0.049 0.108	Table B2-2	JR30x35x20,5	
40 1.5748	40 1.5748	47 1.8504	12 0.472	—	1 0.039		HK4012	14.7 3300	25.3 5690	5200	7900	0.033 0.073	Table B2-2		
	40 1.5748	47 1.8504	16 0.630	—	1 0.039	HK4016	—	18.9 4250	34.8 7820	5200	7900	0.042 0.093	Table B2-2	JR35x40x17	
	40 1.5748	47 1.8504	20 0.787	17.3 0.681	1 0.039		BK4020	25.1 5640	50.4 11300	5200	7900	0.070 0.154	Table B2-2	JR35x40x20,5	

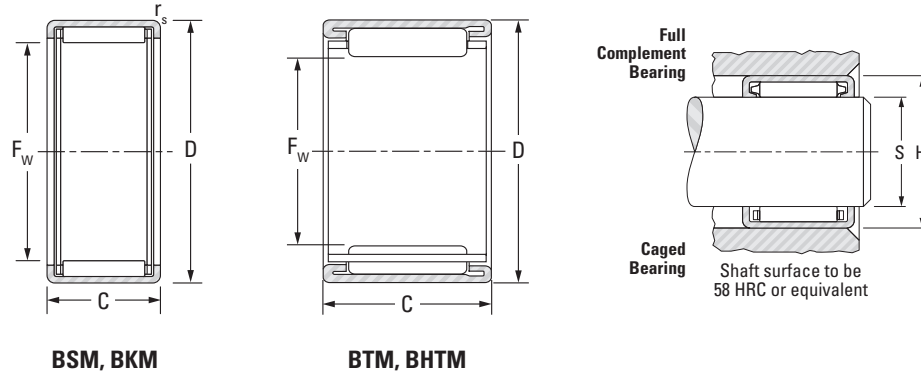
Note) For the recommended mounting dimensions see Table B2-1.  
(1) Drawn cup needle roller bearings with two needle roller and cage assemblies and one lubricating hole.

Shaft Dia.	F <sub>w</sub>	D	C		C <sub>3</sub> min	r <sub>s</sub> min	Bearing Designation		Load Ratings		Speed Rating		Approx. Wt.	Inspection gage	Mounting inner ring (pages B-2-28 to B-2-37)
			+0	+0.000			Open Ends	Closed One End	Dynamic	Static	Grease	Oil			
			-0.3	-0.012											
mm in	mm in	mm in	mm in	mm in	mm in			kN lbf		min <sup>-1</sup>	kg lbs				
40 1.5748	40 1.5748	47 1.8504	20 0.787	—	1 0.039		HK4020	—	25.1 5640	50.4 11300	5200	7900	0.060 0.132	Table B2-2	JR35x40x20,5
45 1.7717	45 1.7717	52 2.0472	12 0.472	—	1 0.039		HK4512	—	14.1 3170	24.8 5580	4600	7000	0.036 0.079	Table B2-2	
	45 1.7717	52 2.0472	16 0.630	—	1 0.039		HK4516	—	19.8 4450	38.5 8660	4600	7000	0.048 0.106	Table B2-2	JR40x45x17
	45 1.7717	52 2.0472	20 0.787	17.3 0.681	1 0.039		BK4520	—	26.3 5910	55.4 12500	4600	7000	0.079 0.174	Table B2-2	JR40x45x20,5
	45 1.7717	52 2.0472	20 0.787	—	1 0.039		HK4520	—	27.2 6110	58.2 13100	4600	7000	0.059 0.130	Table B2-2	JR40x45x20,5
50 1.9685	50 1.9685	58 2.2835	12 0.472	—	1 0.039		HK5012	—	17.0 3822	28.7 6452	4100	6300	0.045 0.099	Table B2-2	
	50 1.9685	58 2.2835	20 0.787	—	1 0.039		HK5020	—	30.9 6950	62.2 14000	4100	6300	0.072 0.159	Table B2-2	JR45x50x20
	50 1.9685	58 2.2835	25 0.984	—	1 0.039		HK5025	—	35.5 7980	74.1 16700	4100	6300	0.092 0.203	Table B2-2	JR45x50x25,5
55 2.1654	55 2.1654	63 2.4803	20 0.787	—	1 0.039		HK5520	—	31.0 6969	64.4 14478	3700	5700	0.079 0.174	Table B2-2	
60 2.3622	60 2.3622	68 2.6772	12 0.472	—	1 0.039		HK6012	—	18.6 4181	34.4 7733	3400	5200	0.060 0.132	Table B2-2	
	60 2.3622	68 2.6772	20 0.787	—	1 0.039		HK6020	—	32.5 7306	70.2 15782	3400	5200	0.090 0.198	Table B2-2	



**DRAWN CUP NEEDLE ROLLER BEARINGS**  
**CAGED,**  
**OPEN ENDS,**  
**CLOSED ONE END**

**METRIC SERIES**  
**BSM, BKM, BTM, BHTM SERIES**



Shaft Dia.	F <sub>w</sub>	D	C		C <sub>3 min</sub>	r <sub>s min</sub>	Bearing Designation	Load Ratings		Speed Rating		Approx. Wt.	Inspection gage	Mounting inner ring (pages B-2-28 to B-2-37)
			+0 -0.3	+0.000 -0.012				Dynamic	Static	Grease	Oil			
			mm in	mm in				C	C <sub>0</sub>					
6 0.2362	6	10	9	—	—	6BTM109	2.65	2.4	23000	36000	0.003	Table B2-4	—	
8 0.3150	8	12	10	—	—	8BTM1210	3.55	3.85	21000	33000	0.004	Table B2-4	—	
		15	15	—	—	BHTM815	7.55	6.55	13000	20000	0.009	Table B2-4	—	
9 0.3543	9	13	10	—	—	9BTM1310A	3.8	4.25	21000	32000	0.004	Table B2-4	—	
9.8 0.3858	9.8	13.8	10	—	—	BTM101410A	3.75	4.25	21000	32000	0.004	Table B2-4	—	
10 0.3937	10	14	10	—	—	10BTM1410	3.95	4.6	20000	31000	0.004	Table B2-4	—	
		17	20	—	—	BHTM1020	11.9	12.6	12000	19000	0.015	Table B2-4	—	
12 0.4724	12	16	10	—	—	12BTM1610	4.65	6	20000	30000	0.005	Table B2-4	—	
12	12	18	12	—	—	12BTM1812	6.55	6.7	14000	21000	0.009	Table B2-4	—	
		13	15	—	—	BKM131715J	5.65	7.85	20000	30000	0.007	Table B2-4	—	
13 0.5118	13	19	14	—	—	BKM131914J	8.6	9.95	14000	21000	0.011	Table B2-4	—	
		20	12	—	—	13BTM2012J	8.25	8.4	12000	18000	0.012	Table B2-4	—	
13	13	21	14	—	—	BKM132114BJ	10.8	10.5	10000	16000	0.015	Table B2-4	—	
13.5 0.5315	13.5	19	12	—	—	BTM141912A	6.7	7.6	14000	22000	0.010	Table B2-4	—	
14 0.5512	14	19	16	—	—	14BTM1916B-1	8.8	11.9	16000	24000	0.011	Table B2-4	—	
		20	12	—	—	14BTM2012	6.95	7.5	13000	20000	0.010	Table B2-4	—	
14.5 0.5709	14.5	19.5	13.5	—	—	BTM152014A	8.35	10.9	15000	23000	0.009	Table B2-4	—	

Note) For the recommended mounting dimensions see Table B2-1.

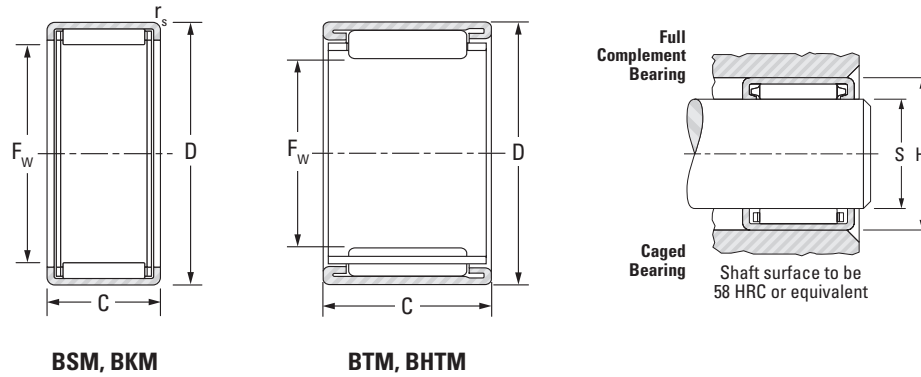
Shaft Dia.	F <sub>w</sub>	D	C		C <sub>3 min</sub>	r <sub>s min</sub>	Bearing Designation	Load Ratings		Speed Rating		Approx. Wt.	Inspection gage	Mounting inner ring (pages B-2-28 to B-2-37)
			+0 -0.3	+0.000 -0.012				Dynamic	Static	Grease	Oil			
			mm in	mm in				C	C <sub>0</sub>					
15 0.5906	15	21	10	—	—	BTM152110JA	5.8	6.25	13000	20000	0.009	Table B2-4	—	
15 0.5906	15	20	16	—	—	15BTM2016C-2	9.05	12.6	15000	23000	0.012	Table B2-4	—	
		21	16	—	—	15BTM2116	10.8	13.6	12000	19000	0.014	Table B2-4	—	
15	15	21	22	—	—	15BTM2122	14.3	19.5	12000	19000	0.020	Table B2-4	—	
15	15	22	15	—	—	BHTM1515-1	11.9	13.3	10000	16000	0.010	Table B2-4	—	
17 0.6693	17	21.5	15	—	—	17BTM2215	6.8	9.6	12000	19000	0.010	Table B2-4	—	
17	17	23	12	—	—	BTM172312	8.45	10.2	13000	20000	0.012	Table B2-4	—	
17	17	24	15	—	—	BHTM1715-1	12.4	14.8	13000	20000	0.017	Table B2-4	—	
17	17	24	20	—	—	BHTM1720-1	16.8	21.9	13000	20000	0.023	Table B2-4	—	
17	17	25	15	—	—	BTM172515	13.2	14.9	13000	20000	0.020	Table B2-4	—	
18 0.7087	18	24	11.6	—	—	18BTM2412	8.75	10.9	12000	18000	0.012	Table B2-4	—	
18	18	24	16	—	—	BTM182416	12.3	16.8	12000	18000	0.017	Table B2-4	—	
18	18	25	20	—	—	BTM1820	16.7	22	12000	19000	0.024	Table B2-4	—	
18	18	25	20	—	—	BTM182520	16.8	22.1	12000	19000	0.024	Table B2-4	—	
20 0.7874	20	26	16	—	—	BTM202616	13.3	19.6	10000	16000	0.019	Table B2-4	—	
20	20	27	20	—	—	BTM202720-2	19.6	27.6	11000	17000	0.027	Table B2-4	—	
20	20	27	25	—	—	BTM2025	24.3	36.4	11000	17000	0.033	Table B2-4	—	
20	20	27	30	—	—	BTM202730	28.1	43.8	11000	17000	0.040	Table B2-4	—	
21.6 0.8504	21.6	26.645	12.4	—	—	BTM222712A	9.15	13.9	9800	15000	0.012	Table B2-4	—	
22 0.8661	22	28	12	—	—	22BTM2812	10	13.5	9800	15000	0.014	Table B2-4	—	
24 0.9449	24	30	13	—	—	BTM243013J	10.5	15.7	9100	14000	0.018	Table B2-4	—	
25 0.9843	25	31	19	—	—	25BTM3119A	17.9	30.1	8500	13000	0.026	Table B2-4	—	
25	25	32	12	—	—	BTM2512	10.2	12.8	8500	13000	0.019	Table B2-4	—	
25	25	33	20	—	—	BHTM2520-1	21.3	29.7	8500	13000	0.037	Table B2-4	—	

Continued on next page.



**DRAWN CUP NEEDLE ROLLER BEARINGS**  
**CAGED,**  
**OPEN ENDS,**  
**CLOSED ONE END**

**METRIC SERIES**  
**BSM, BKM, BTM, BHTM SERIES**



Shaft Dia.	F <sub>w</sub>	D	C		C <sub>3 min</sub>	r <sub>s min</sub>	Bearing Designation	Load Ratings		Speed Rating		Approx. Wt.	Inspection gage	Mounting inner ring (pages B-2-28 to B-2-37)
			+0 -0.3	+0.000 -0.012				Dynamic	Static	Grease	Oil			
			mm in	mm in				C	C <sub>0</sub>					
25 0.9843	25	33	30	—	—	BHTM2530-1	31	48	8500	13000	0.054	Table B2-4	—	
25.8 1.0157	25.8	33	16	—	—	BTM263316A	15.7	22.4	8500	13000	0.028	Table B2-4	—	
26 1.0236	26	31.4	12	—	—	BKM263112A	9.45	14.5	7800	12000	0.014	Table B2-4	—	
28 1.1024	28	33	12	—	—	BTM283312J	9.5	15.8	7200	11000	0.015	Table B2-4	—	
						28BTM3520	21.1	33.4	7800	12000	0.035	Table B2-4	—	
		28	36	20.75	—	—	BTM283621JA	25.3	39.3	7800	12000	0.044	Table B2-4	—
		28	37	20	—	—	BTM283720	24.2	33.5	7800	12000	0.046	Table B2-4	—
		28	37	30	—	—	BHTM2830	36.3	56.5	7800	12000	0.069	Table B2-4	—
30 1.1811	30	37	12	—	—	BTM303712	13.3	18.8	7200	11000	0.022	Table B2-4	—	
						30BTM3716BM	18.8	29.3	7200	11000	0.030	Table B2-4	—	
		30	37	20	—	—	30BTM3720	22.7	40.1	7200	11000	0.040	Table B2-4	—
		30	40	25	—	—	BHTM3025-1	32.7	46.8	7200	11000	0.069	Table B2-4	—
		30	40	30	—	—	BHTM3030-1A	39.2	59	7200	11000	0.083	Table B2-4	—
31 1.2205	31	39	17.8	—	—	31BTM3918A	22.9	34.8	7200	11000	0.039	Table B2-4	—	
32 1.2598	32	38	11	—	—	32BTM3811A	5.4	6.75	6500	10000	0.017	Table B2-4	—	
						32	42	20	—	—	BHTM3220A	26.1	35.1	6500
		32	42	30	—	—	BHTM3230	40.5	61.9	6500	10000	0.086	Table B2-4	—

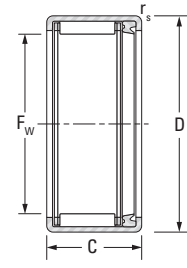
Note) For the recommended mounting dimensions see Table B2-1.

Shaft Dia.	F <sub>w</sub>	D	C		C <sub>3 min</sub>	r <sub>s min</sub>	Bearing Designation	Load Ratings		Speed Rating		Approx. Wt.	Inspection gage	Mounting inner ring (pages B-2-28 to B-2-37)
			+0 -0.3	+0.000 -0.012				Dynamic	Static	Grease	Oil			
			mm in	mm in				C	C <sub>0</sub>					
33.5 1.3189	33.5	40	17	—	—	BTM344017A	18.5	33.5	6200	9500	0.034	Table B2-4	—	
35 1.3780	35	42	16	—	—	BTM3516	20.3	34.7	6000	9200	0.035	Table B2-4	—	
						35	45	20	—	—	BHTM3520	28.8	41.7	6100
		35	45	30	—	—	BHTM3530	43.8	71.5	6100	9400	0.096	Table B2-4	—
37 1.4567	37	43	12	—	—	37BTM4312A	8.8	13.6	5600	8600	0.022	Table B2-4	—	
38 1.4961	38	45	12	—	—	BTM384512A	14.2	23.3	5500	8400	0.029	Table B2-4	—	
						38	48	30	—	—	BTM3830PL	45.6	76.5	5600
40 1.5748	40	51	30	—	—	40BTM5130J	48.6	77.5	5400	8300	0.112	Table B2-4	—	
41.5 1.6339	41.5	46.5	8.5	—	—	BTM424709AJ	8.55	15.7	4900	7500	0.015	Table B2-4	—	
42 1.6535	42	53	30	—	—	BTM425330J	51	85	5100	7800	0.121	Table B2-4	—	
43.52 1.7134	43.52	48.52	14	—	—	44BTM4914A	13.3	29	4700	7200	0.027	Table B2-4	—	
45 1.7717	45	52	12	—	—	45BTM5212A	15.2	27.3	4600	7000	0.034	Table B2-4	—	
48 1.8898	48	56	30	—	—	BTM485630J	45.4	100	4300	6600	0.103	Table B2-4	—	
50 1.9685	50	58	20	—	—	50BTM5820J	31.7	61.9	4200	6400	0.068	Table B2-4	—	
						50	62	25	—	—	BTM5025	49.3	79.5	4200
55 2.1654	55	63	20	—	—	55BTM6320	32.5	66	3700	5700	0.073	Table B2-4	—	
55.254 2.1754	55.254	60.3	14	—	—	BSM5514BJ-2	16.7	41	3600	5600	0.032	Table B2-4	—	
64 2.5197	64	73.178	21.1	—	—	64BTM7321A	40.3	84.9	3200	4900	0.110	Table B2-4	—	

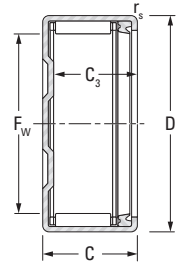


DRAWN CUP NEEDLE ROLLER BEARINGS SEALED

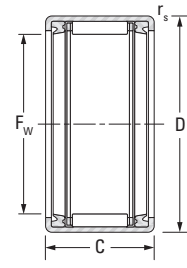
METRIC SERIES HK RS, BK RS, HK.2RS SERIES



HK RS



BK RS



HK.2RS

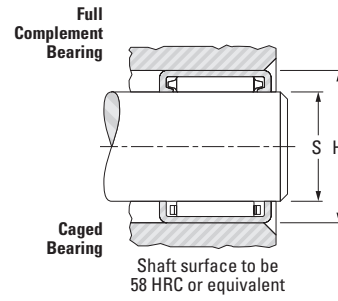


Table with columns: Shaft Dia., Fw, D, C (+0, +0.000, -0.3, -0.012), C3 min, rs min, Bearing Designation (Open Ends, Closed One End), Load Ratings (Dynamic C, Static C0), Speed Rating (Grease), Approx. Wt., Inspection gage, Mounting inner ring (pages B-2-28 to B-2-37). Rows include series HK0810RS to HK2020.2RS.

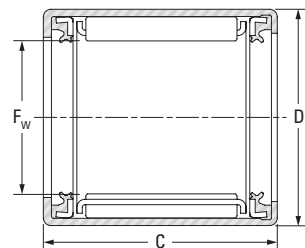
Note) For the recommended mounting dimensions see Table B2-1.

Table with columns: Shaft Dia., Fw, D, C (+0, +0.000, -0.3, -0.012), C3 min, rs min, Bearing Designation (Open Ends, Closed One End), Load Ratings (Dynamic C, Static C0), Speed Rating (Grease), Approx. Wt., Inspection gage, Mounting inner ring (pages B-2-28 to B-2-37). Rows include series HK2216.2RS to HK5024.2RS.

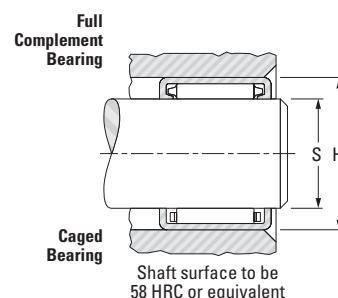


**DRAWN CUP NEEDLE ROLLER BEARINGS  
SEALED**

**METRIC SERIES  
BKM UU, BHKM UU SERIES**



**BKM UU, BHKM UU**



Shaft Dia.	F <sub>w</sub>	D	C		C <sub>3 min</sub>	r <sub>s min</sub>	Bearing Designation	Load Ratings		Speed Rating	Approx. Wt.	Inspection gage	Mounting inner ring (pages B-2-28 to B-2-37)
			+0 -0.3	+0.000 -0.012				Dynamic C	Static C <sub>0</sub>				
mm in	mm in	mm in	mm in	mm in	mm in			kN lbf		min <sup>-1</sup>	kg lbs		
17 0.6693	17	24	26	—	—	BHKM1726JUU	17.6	23.3	13000	0.029	Table B2-4	—	
20 0.7874	20	27	26	—	—	BKM2026JUU	20.5	29.2	11000	0.033	Table B2-4	—	
	20	27	30	—	—	BKM2030JUU	24.3	36.4	11000	0.038	Table B2-4	—	
	20	27	35	—	—	BKM2035JUU	28.9	45.4	11000	0.045	Table B2-4	—	

Note) For the recommended mounting dimensions see Table B2-1.

**INNER RINGS**

**METRIC SERIES**

When it is impractical to meet the shaft raceway design requirements (hardness, surface finish, case depth, etc.) outlined in the engineering section of this catalog, standard inner rings may be used.

Inner rings are made of rolling bearing steel and after hardening, their bores, raceways and end surfaces are ground. Metric series inner rings may be used to provide inner raceway surfaces for metric series radial needle roller and cage assemblies, metric series needle roller bearings and metric series drawn cup needle roller bearings. The extended inner rings are suitable for use with bearings containing lip contact seals and for applications in which axial movement may be present.

**CONSTRUCTION**

Metric series inner rings are available in four basic designs and differ only by the chamfers at the ends of the raceway surfaces, the lubricant access holes and the raceway profile. Inner rings of series JR have chamfers to assist in bearing installation but are without lubricating holes. Inner rings of series JR.JS1 and IMC have bearing installation chamfers and lubricating holes (bore diameters 5 to 180 mm [0.1969 in to 7.0866 in]). Inner rings of series JRZ.JS1 are without installation chamfers, allowing for maximum possible raceway contact.

**DIMENSIONAL ACCURACY**

The tolerances of size, form, and runout for metric series inner rings meet the requirements of ISO normal tolerance class for radial bearings (see the engineering section). Most metric series inner rings are produced with outside diameter raceway tolerance in accordance with h5 which, in most cases, is suitable for combining the metric series needle roller bearings to give the normal clearance class, and for use with drawn cup bearings. Other raceway tolerances may also be found on inner rings for combining with needle roller bearings to give one of the clearance requirements.

**MOUNTING OF INNER RINGS**

Inner rings may be mounted on the shaft with either a loose transition fit or an interference fit. These fits used in conjunction with the proper fit of the bearing outer ring, will provide the correct operating clearances for most applications.

Regardless of the fit of the inner ring on the shaft, the inner ring should be axially located by shaft shoulders or other positive means. The shaft shoulder diameter adjacent to the inner ring must not exceed the inner ring outside diameter (per suggestions on pages B-4-9 and B-4-10 of the metric series needle roller bearing section).

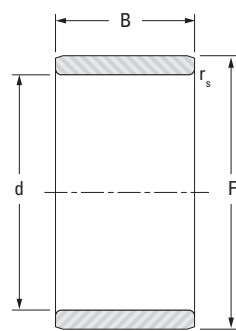
When metric series inner rings are to be used with the metric series needle roller bearings, appropriate shaft tolerances should be selected from Table B4-4 on page B-4-9 in the metric series needle roller bearing section. When Metric series inner rings are to be used with drawn cup bearings the suggested shaft tolerances are given in the "Inner ring" discussion on page B-2-8 of the "metric series drawn cup needle roller bearings" section of this catalog.

**INCH SERIES INNER RINGS**

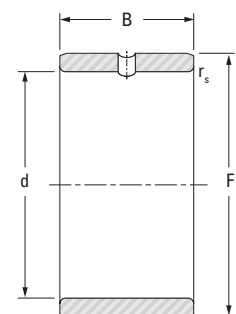
Inch series inner rings for use with inch series drawn cup bearings are tabulated on page B-2-74 of this catalog.



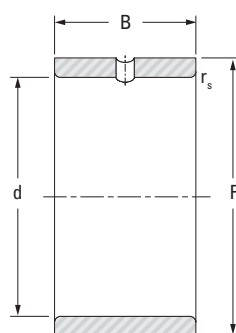
INNER RINGS



JR, IM..P



JR.JS1

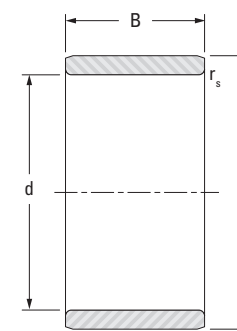


JRZ.JS1

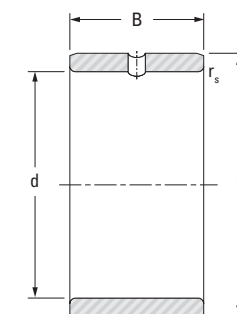
Shaft Dia.	d	F <sup>(1)</sup>	B	r <sub>s</sub> min	Inner Ring Designation	Wt.
mm in	mm in	mm in	mm in	mm in		kg lbs
5 0.1969	5 0.1969	8 0.3150	8 0.3150	0.3 0.01	JR5x8x8JS1	0.002 0.004
	5 0.1969	8 0.3150	12 0.4724	0.3 0.01	JR5x8x12	0.003 0.007
	5 0.1969	8 0.3150	16 0.630	0.3 0.01	JR5x8x16	0.004 0.009
6 0.2362	6 0.2362	9 0.3543	8 0.315	0.3 0.01	JR6x9x8JS1	0.002 0.004
	6 0.2362	9 0.3543	12 0.4724	0.3 0.01	JR6x9x12	0.003 0.007
	6 0.2362	9 0.3543	16 0.630	0.3 0.01	JR6x9x16	0.004 0.009
6 0.2362	6 0.2362	10 0.3937	10 0.394	0.3 0.01	JR6x10x10	0.004 0.009
	6 0.2362	10 0.3937	10 0.394	0.3 0.01	JR6x10x10JS1	0.004 0.009
	6 0.2362	10 0.3937	12 0.4724	0.3 0.01	JRZ6x10x12JS1	0.005 0.011
7 0.2756	7 0.2756	10 0.3937	10.5 0.413	0.3 0.01	JR7x10x10,5	0.003 0.007
	7 0.2756	10 0.3937	12 0.4724	0.3 0.01	JR7x10x12	0.004 0.009
	7 0.2756	10 0.3937	16 0.630	0.3 0.01	JR7x10x16	0.005 0.011
8 0.3150	8 0.3150	12 0.4724	10 0.394	0.3 0.01	JR8x12x10	0.005 0.011
	8 0.3150	12 0.4724	10 0.394	0.3 0.01	JR8x12x10JS1	0.005 0.011
	8 0.3150	12 0.4724	10.5 0.413	0.3 0.01	JR8x12x10,5	0.005 0.011
8 0.3150	8 0.3150	12 0.4724	12 0.472	0.3 0.01	JRZ8x12x12JS1	0.006 0.013
	8 0.3150	12 0.4724	12.5 0.492	0.3 0.01	JR8x12x12,5	0.006 0.013
	8 0.3150	12 0.4724	16 0.630	0.3 0.01	IM 8 12 16 P	0.007 0.016
9 0.3543	9 0.3543	12 0.4724	12 0.4724	0.3 0.01	JR9x12x12	0.005 0.011
	9 0.3543	12 0.4724	16 0.630	0.3 0.01	JR9x12x16	0.006 0.013
	10 0.3937	10 0.3937	13 0.5118	0.3 0.01	JR10x13x12,5	0.005 0.011
10 0.3937	10 0.3937	14 0.5512	11 0.433	0.3 0.01	JR10x14x11JS1	0.007 0.015
	10 0.3937	14 0.5512	12 0.4724	0.3 0.01	JR10x14x12	0.007 0.015
	10 0.3937	14 0.5512	12 0.4724	0.3 0.01	JR10x14x12JS1	0.007 0.015

(1) Inner rings for metric full complement needle roller bearings are produced with outside diameter tolerance g5.

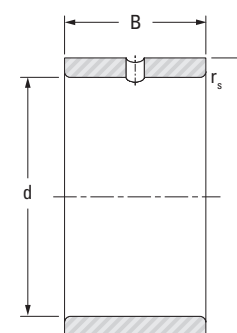
INNER RINGS



JR, IM..P



JR.JS1



JRZ.JS1

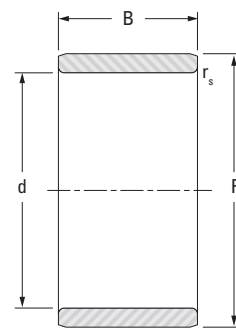
Shaft Dia.	d	F <sup>(1)</sup>	B	r <sub>s</sub> min	Inner Ring Designation	Wt.
mm in	mm in	mm in	mm in	mm in		kg lbs
10 0.3937	10 0.3937	14 0.5512	13 0.512	0.3 0.01	JR10x14x13	0.007 0.015
	10 0.3937	14 0.5512	14 0.551	0.3 0.01	JRZ10x14x14JS1	0.008 0.018
	10 0.3937	14 0.5512	16 0.630	0.3 0.01	JR10x14x16	0.009 0.020
10 0.3937	10 0.3937	14 0.5512	20 0.787	0.3 0.01	JR10x14x20	0.012 0.026
	12 0.4724	12 0.4724	15 0.5906	0.3 0.01	JR12x15x12,5	0.006 0.013
	12 0.4724	15 0.5906	16 0.630	0.3 0.01	JR12x15x16	0.008 0.018
12 0.4724	12 0.4724	15 0.5906	16.5 0.650	0.3 0.01	JR12x15x16,5	0.008 0.018
	12 0.4724	15 0.5906	18.5 0.728	0.3 0.01	JR12x15x18,5	0.009 0.020
	12 0.4724	15 0.5906	22.4 0.882	0.2 0.01	IM 12 15 22,4 P	0.011 0.024
12 0.4724	12 0.4724	15 0.5906	22.5 0.886	0.3 0.01	JR12x15x22,5	0.011 0.024
	12 0.4724	16 0.6299	12 0.472	0.3 0.01	JR12x16x12	0.008 0.018
	12 0.4724	16 0.6299	12 0.472	0.3 0.01	JR12x16x12JS1	0.008 0.018
12 0.4724	12 0.4724	16 0.6299	13 0.512	0.3 0.01	JR12x16x13	0.008 0.018
	12 0.4724	16 0.6299	14 0.551	0.3 0.01	JRZ12x16x14JS1	0.010 0.022
	12 0.4724	16 0.6299	16 0.630	0.3 0.01	JR12x16x16	0.011 0.024
12 0.4724	12 0.4724	16 0.6299	20 0.787	0.3 0.01	JR12x16x20	0.014 0.031
	12 0.4724	16 0.6299	22 0.866	0.3 0.01	JR12x16x22	0.015 0.033
	13 0.5118	13 0.5118	18 0.7087	0.35 0.014	IM 13 18 16 P	0.015 0.033
14 0.5512	14 0.5512	17 0.6693	17 0.669	0.3 0.01	JR14x17x17	0.009 0.020
	15 0.5906	15 0.5906	18 0.7087	0.3 0.01	JR15x18x16,5	0.010 0.022
	15 0.5906	19 0.7480	16 0.630	0.3 0.01	JR15x19x16	0.013 0.029
15 0.5906	15 0.5906	19 0.7480	20 0.787	0.3 0.01	JR15x19x20	0.017 0.037
	15 0.5906	20 0.7874	12 0.472	0.3 0.01	JR15x20x12	0.012 0.026
	15 0.5906	20 0.7874	12 0.472	0.3 0.01	JR15x20x12JS1	0.012 0.026

(1) Inner rings for metric full complement needle roller bearings are produced with outside diameter tolerance g5.

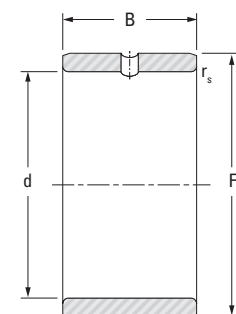
Continued on next page.



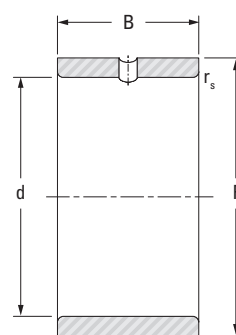
INNER RINGS



JR, IM..P



JR.JS1

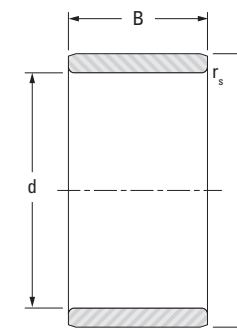


JRZ.JS1

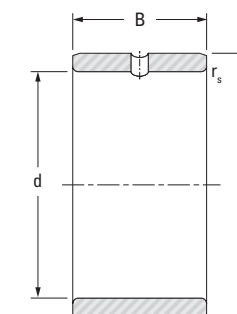
Shaft Dia.	d	F <sup>(1)</sup>	B	r <sub>s</sub> min	Inner Ring Designation	Wt.
mm in	mm in	mm in	mm in	mm in		kg lbs
15 0.5906	15 0.5906	20 0.7874	13 0.512	0.3 0.01	JR15x20x13	0.014 0.031
	15 0.5906	20 0.7874	14 0.551	0.3 0.01	JRZ15x20x14JS1	0.015 0.033
	15 0.5906	20 0.7874	16 0.630	0.3 0.01	JR15x20x16	0.017 0.037
	15 0.5906	20 0.7874	20 0.787	0.35 0.014	IM 15 20 20 P	0.021 0.045
	15 0.5906	20 0.7874	23 0.906	0.3 0.01	JR15x20x23	0.025 0.055
	15 0.5906	20 0.7874	26 1.024	0.3 0.01	JR15x20x26	0.028 0.062
17 0.6693	17 0.6693	20 0.7874	16.5 0.650	0.3 0.01	JR17x20x16,5	0.011 0.024
	17 0.6693	20 0.7874	20 0.787	0.3 0.01	JR17x20x20	0.014 0.031
	17 0.6693	20 0.7874	20.5 0.807	0.3 0.01	JR17x20x20,5	0.014 0.031
	17 0.6693	20 0.7874	30.5 1.201	0.3 0.01	JR17x20x30,5	0.021 0.046
	17 0.6693	21 0.8268	16 0.630	0.3 0.01	JR17x21x16	0.015 0.033
	17 0.6693	21 0.8268	20 0.787	0.3 0.01	JR17x21x20	0.019 0.042
	17 0.6693	22 0.8661	13 0.512	0.3 0.01	JR17x22x13	0.015 0.033
	17 0.6693	22 0.8661	13 0.512	0.35 0.014	IM 4903	0.015 0.033
	17 0.6693	22 0.8661	16 0.630	0.3 0.01	JR17x22x16	0.019 0.042
	17 0.6693	22 0.8661	16 0.630	0.3 0.01	JR17x22x16JS1	0.019 0.042
	17 0.6693	22 0.8661	16 0.630	0.3 0.01	JRZ17x22x16JS1	0.019 0.042
	17 0.6693	22 0.8661	20 0.787	0.35 0.014	IM 17 22 20 P	0.023 0.051
	17 0.6693	22 0.8661	23 0.906	0.3 0.01	JR17x22x23	0.028 0.062
	17 0.6693	22 0.8661	26 1.024	0.3 0.01	JR17x22x26	0.031 0.068
	17 0.6693	22 0.8661	32 1.260	0.3 0.01	JR17x22x32	0.038 0.084
20 0.7874	20 0.7874	24 0.9449	16 0.630	0.3 0.01	JR20x24x16	0.018 0.040
	20 0.7874	24 0.9449	20 0.787	0.3 0.01	JR20x24x20	0.022 0.049
	20 0.7874	25 0.9843	16 0.630	0.3 0.01	JR20x25x16	0.022 0.049

(1) Inner rings for metric full complement needle roller bearings are produced with outside diameter tolerance g5.

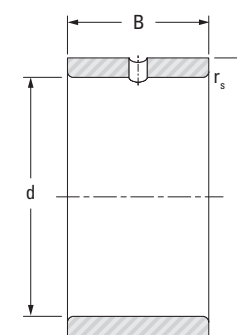
INNER RINGS



JR, IM..P



JR.JS1



JRZ.JS1

Shaft Dia.	d	F <sup>(1)</sup>	B	r <sub>s</sub> min	Inner Ring Designation	Wt.
mm in	mm in	mm in	mm in	mm in		kg lbs
20 0.7874	20 0.7874	25 0.9843	16 0.630	0.3 0.01	JR20x25x16JS1	0.022 0.049
	20 0.7874	25 0.9843	17 0.669	0.3 0.01	JR20x25x17	0.023 0.051
	20 0.7874	25 0.9843	18 0.709	0.3 0.01	JRZ20x25x18JS1	0.025 0.055
	20 0.7874	25 0.9843	20 0.787	0.3 0.01	JR20x25x20	0.028 0.062
	20 0.7874	25 0.9843	20.5 0.807	0.3 0.01	JR20x25x20,5	0.029 0.064
	20 0.7874	25 0.9843	26 1.024	0.3 0.01	JR20x25x26	0.036 0.079
	20 0.7874	25 0.9843	26.5 1.043	0.3 0.01	JR20x25x26,5	0.037 0.082
	20 0.7874	25 0.9843	30 1.181	0.3 0.01	JR20x25x30	0.042 0.093
	20 0.7874	25 0.9843	32 1.260	0.3 0.01	JR20x25x32	0.044 0.097
	20 0.7874	25 0.9843	38.5 1.516	0.3 0.01	JR20x25x38,5	0.054 0.119
22 0.8661	22 0.8661	26 1.0236	16 0.630	0.3 0.01	JR22x26x16	0.019 0.042
	22 0.8661	26 1.0236	20 0.787	0.3 0.01	JR22x26x20	0.023 0.051
	22 0.8661	28 1.1024	17 0.669	0.3 0.01	JR22x28x17	0.030 0.066
	22 0.8661	28 1.1024	20.5 0.807	0.3 0.01	JR22x28x20,5	0.038 0.084
	22 0.8661	28 1.1024	30 1.181	0.3 0.01	JR22x28x30	0.056 0.123
23 0.9055	23 0.9055	28 1.1024	20 0.787	0.35 0.014	IM 23 28 20 P	0.030 0.066
25 0.9843	25 0.9843	29 1.1417	20 0.787	0.3 0.01	JR25x29x20	0.027 0.060
	25 0.9843	29 1.1417	30 1.181	0.3 0.01	JR25x29x30	0.040 0.088
	25 0.9843	30 1.1811	16 0.630	0.3 0.01	JR25x30x16	0.027 0.060
	25 0.9843	30 1.1811	16 0.630	0.3 0.01	JR25x30x16JS1	0.027 0.060
	25 0.9843	30 1.1811	17 0.669	0.3 0.01	JR25x30x17	0.028 0.062
	25 0.9843	30 1.1811	18 0.709	0.3 0.01	JRZ25x30x18JS1	0.031 0.068
	25 0.9843	30 1.1811	20 0.787	0.3 0.01	JR25x30x20	0.034 0.075
	25 0.9843	30 1.1811	20.5 0.807	0.3 0.01	JR25x30x20,5	0.035 0.077

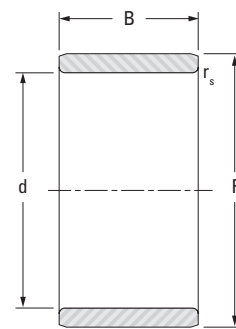
(1) Inner rings for metric full complement needle roller bearings are produced with outside diameter tolerance g5.

Continued on next page.

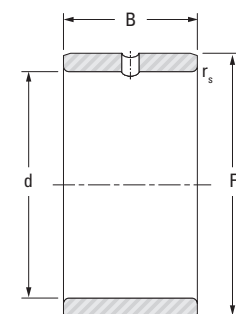




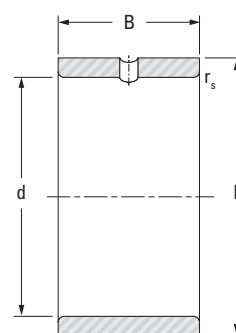
INNER RINGS



JR, IM..P



JR.JS1

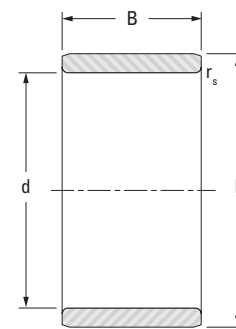


JRZ.JS1

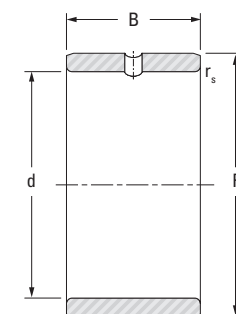
Shaft Dia.	d	F <sup>(1)</sup>	B	r <sub>s</sub> min	Inner Ring Designation	Wt.
mm in	mm in	mm in	mm in	mm in		kg lbs
25 0.9843	25 0.9843	30 1.1811	26 1.024	0.3 0.01	JR25x30x26	0.044 0.097
	25 0.9843	30 1.1811	26.5 1.043	0.3 0.01	JR25x30x26,5	0.045 0.099
	25 0.9843	30 1.1811	30 1.181	0.3 0.01	JR25x30x30	0.051 0.112
	25 0.9843	30 1.1811	32 1.260	0.3 0.01	JR25x30x32	0.054 0.119
	25 0.9843	30 1.1811	38.5 1.516	0.3 0.01	JR25x30x38,5	0.066 0.146
28 1.1024	28 1.1024	32 1.2598	17 0.669	0.3 0.01	JR28x32x17	0.028 0.062
	28 1.1024	32 1.2598	20 0.787	0.3 0.01	JR28x32x20	0.030 0.066
	28 1.1024	32 1.2598	30 1.181	0.3 0.01	JR28x32x30	0.044 0.097
30 1.1811	30 1.1811	35 1.3780	16 0.630	0.3 0.01	JR30x35x16	0.031 0.068
	30 1.1811	35 1.3780	17 0.669	0.3 0.01	JR30x35x17	0.033 0.073
	30 1.1811	35 1.3780	17 0.669	0.35 0.014	IM 4906	0.033 0.073
	30 1.1811	35 1.3780	18 0.709	0.3 0.01	JRZ30x35x18JS1	0.036 0.079
	30 1.1811	35 1.3780	20 0.787	0.3 0.01	JR30x35x20	0.039 0.086
	30 1.1811	35 1.3780	20 0.787	0.3 0.01	JRZ30x35x20JS1	0.039 0.086
	30 1.1811	35 1.3780	20.5 0.807	0.3 0.01	JR30x35x20,5	0.040 0.088
	30 1.1811	35 1.3780	26 1.024	0.3 0.01	JR30x35x26	0.054 0.119
	30 1.1811	35 1.3780	30 1.181	0.3 0.01	JR30x35x30	0.057 0.126
	30 1.1811	35 1.3780	32 1.260	0.3 0.01	JR30x35x32	0.062 0.137
	30 1.1811	38 1.4961	20 0.787	0.6 0.02	JR30x38x20JS1	0.067 0.148
32 1.2598	32 1.2598	37 1.4567	20 0.787	0.3 0.01	JR32x37x20	0.043 0.095
	32 1.2598	37 1.4567	30 1.181	0.3 0.01	JR32x37x30	0.064 0.141
	32 1.2598	40 1.5748	20 0.787	0.6 0.02	JR32x40x20	0.069 0.152
	32 1.2598	40 1.5748	36 1.417	0.6 0.02	JR32x40x36	0.128 0.282
35 1.3780	35 1.3780	40 1.5748	17 0.669	0.3 0.01	JR35x40x17	0.040 0.088

(1) Inner rings for metric full complement needle roller bearings are produced with outside diameter tolerance g5.

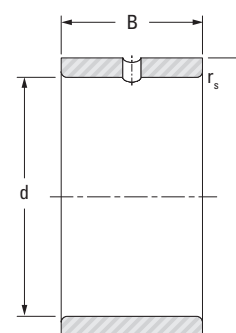
INNER RINGS



JR, IM..P



JR.JS1



JRZ.JS1

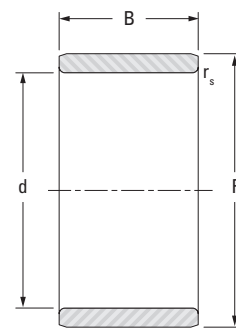
Shaft Dia.	d	F <sup>(1)</sup>	B	r <sub>s</sub> min	Inner Ring Designation	Wt.
mm in	mm in	mm in	mm in	mm in		kg lbs
35 1.3780	35 1.3780	40 1.5748	20 0.787	0.3 0.01	JR35x40x20	0.046 0.101
	35 1.3780	40 1.5748	20.5 0.807	0.3 0.01	JR35x40x20,5	0.049 0.108
	35 1.3780	40 1.5748	22 0.866	0.3 0.01	JR35x40x22	0.052 0.115
	35 1.3780	40 1.5748	30 1.181	0.3 0.01	JR35x40x30	0.071 0.157
	35 1.3780	40 1.5748	34 1.339	0.3 0.01	JR35x40x34	0.080 0.176
	35 1.3780	40 1.5748	40 1.575	0.3 0.01	JR35x40x40	0.094 0.207
	35 1.3780	42 1.6535	20 0.787	0.6 0.02	JR35x42x20	0.065 0.143
	35 1.3780	42 1.6535	20 0.787	0.6 0.02	JR35x42x20JS1	0.065 0.143
	35 1.3780	42 1.6535	23 0.906	0.6 0.02	JRZ35x42x23JS1	0.074 0.163
	35 1.3780	42 1.6535	36 1.417	0.6 0.02	JR35x42x36	0.122 0.269
	35 1.3780	44 1.7323	22 0.866	0.6 0.02	JR35x44x22	0.097 0.214
37 1.4567	37 1.4567	42 1.6535	20 0.787	0.35 0.014	IM 37 42 20 P	0.046 0.101
38 1.4961	38 1.4961	43 1.6929	20 0.787	0.3 0.01	JR38x43x20	0.050 0.110
	38 1.4961	43 1.6929	30 1.181	0.3 0.01	JR38x43x30	0.075 0.165
40 1.5748	40 1.5748	45 1.7717	17 0.669	0.3 0.01	JR40x45x17	0.044 0.097
	40 1.5748	45 1.7717	20 0.787	0.3 0.01	JR40x45x20	0.052 0.115
	40 1.5748	45 1.7717	20.5 0.807	0.3 0.01	JR40x45x20,5	0.054 0.119
	40 1.5748	45 1.7717	25 0.984	0.35 0.014	IM 40 45 25 P	0.062 0.137
	40 1.5748	45 1.7717	30 1.181	0.3 0.01	JR40x45x30	0.078 0.172
	40 1.5748	45 1.7717	34 1.339	0.3 0.01	JR40x45x34	0.089 0.196
	40 1.5748	45 1.7717	40 1.575	0.3 0.01	JR40x45x40	0.115 0.254
	40 1.5748	48 1.8898	22 0.866	0.6 0.02	JR40x48x22	0.094 0.207
	40 1.5748	48 1.8898	23 0.906	0.6 0.02	JRZ40x48x23JS1	0.100 0.220
	40 1.5748	48 1.8898	40 1.575	0.6 0.02	JR40x48x40	0.173 0.381

(1) Inner rings for metric full complement needle roller bearings are produced with outside diameter tolerance g5.

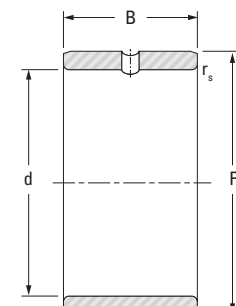
Continued on next page.



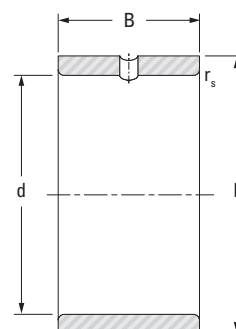
INNER RINGS



JR, IM..P



JR.JS1

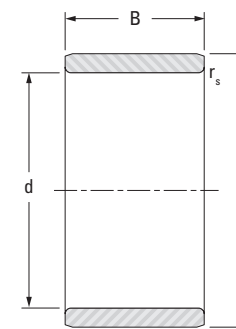


JRZ.JS1

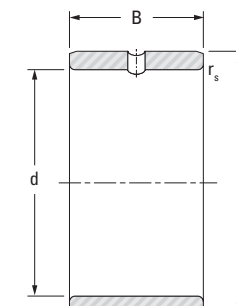
Shaft Dia.	d	F (1)	B	r <sub>s</sub> min	Inner Ring Designation	Wt.
mm in	mm in	mm in	mm in	mm in		kg lbs
40 1.5748	40 1.5748	50 1.9685	20 0.787	1 0.04	JR40x50x20	0.110 0.243
42 1.6535	42 1.6535	47 1.8504	20 0.787	0.3 0.01	JR42x47x20	0.055 0.121
	42 1.6535	47 1.8504	30 1.181	0.3 0.01	JR42x47x30	0.083 0.183
45 1.7717	45 1.7717	50 1.9685	20 0.787	0.3 0.01	JR45x50x20	0.058 0.128
	45 1.7717	50 1.9685	25 0.984	0.6 0.02	JR45x50x25	0.073 0.161
	45 1.7717	50 1.9685	25.5 1.004	0.3 0.01	JR45x50x25,5	0.075 0.165
	45 1.7717	50 1.9685	35 1.378	0.6 0.02	JR45x50x35	0.103 0.227
	45 1.7717	50 1.9685	40 1.575	0.3 0.01	JR45x50x40	0.117 0.258
	45 1.7717	52 2.0472	22 0.866	0.6 0.02	JR45x52x22	0.090 0.198
	45 1.7717	52 2.0472	22 0.866	0.85 0.033	IM 4909	0.087 0.192
	45 1.7717	52 2.0472	23 0.906	0.6 0.02	JR45x52x23	0.096 0.212
	45 1.7717	52 2.0472	23 0.906	0.6 0.02	JRZ45x52x23JS1	0.096 0.212
	45 1.7717	52 2.0472	40 1.575	0.6 0.02	JR45x52x40	0.167 0.368
	45 1.7717	55 2.1654	20 0.787	1 0.04	JR45x55x20	0.133 0.293
	45 1.7717	55 2.1654	20 0.787	1 0.04	JR45x55x20JS1	0.133 0.293
	45 1.7717	55 2.1654	22 0.866	1 0.04	JR45x55x22	0.135 0.298
	45 1.7717	55 2.1654	40 1.575	1 0.04	JR45x55x40	0.247 0.545
50 1.9685	50 1.9685	55 2.1654	20 0.787	0.3 0.01	JR50x55x20	0.065 0.143
	50 1.9685	55 2.1654	25 0.984	0.6 0.02	JR50x55x25	0.081 0.179
	50 1.9685	55 2.1654	35 1.378	0.65 0.026	IM 50 55 35 P	0.107 0.236
	50 1.9685	55 2.1654	35 1.378	0.6 0.02	JR50x55x35	0.113 0.249
	50 1.9685	55 2.1654	40 1.575	0.3 0.01	JR50x55x40	0.130 0.287
	50 1.9685	58 2.2835	22 0.866	0.6 0.02	JR50x58x22	0.117 0.258
	50 1.9685	58 2.2835	23 0.906	0.6 0.02	JRZ50x58x23JS1	0.122 0.269

(1) Inner rings for metric full complement needle roller bearings are produced with outside diameter tolerance g5.

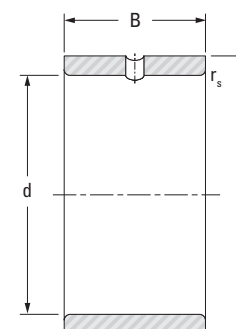
INNER RINGS



JR, IM..P



JR.JS1



JRZ.JS1

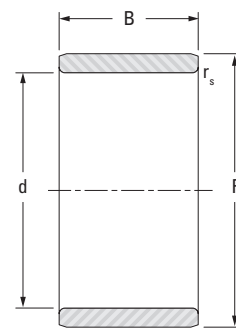
Shaft Dia.	d	F (1)	B	r <sub>s</sub> min	Inner Ring Designation	Wt.
mm in	mm in	mm in	mm in	mm in		kg lbs
50 1.9685	50 1.9685	58 2.2835	40 1.575	0.6 0.02	JR50x58x40	0.213 0.470
	50 1.9685	60 2.3622	20 0.787	1 0.04	JR50x60x20	0.155 0.342
	50 1.9685	60 2.3622	20 0.787	1 0.04	JR50x60x20JS1	0.155 0.342
	50 1.9685	60 2.3622	25 0.984	1 0.04	JR50x60x25	0.170 0.375
	50 1.9685	60 2.3622	40 1.575	1 0.04	JR50x60x40	0.310 0.683
55 2.1654	55 2.1654	60 2.3622	25 0.984	0.6 0.02	JR55x60x25	0.088 0.194
	55 2.1654	60 2.3622	35 1.378	0.65 0.026	IM 55 60 35 P	0.118 0.260
	55 2.1654	60 2.3622	35 1.378	0.6 0.02	JR55x60x35	0.124 0.273
	55 2.1654	63 2.4803	25 0.984	1 0.04	JR55x63x25	0.141 0.311
	55 2.1654	63 2.4803	45 1.772	1 0.04	JR55x63x45	0.286 0.631
	55 2.1654	65 2.5591	30 1.181	1 0.04	JR55x65x30	0.222 0.489
	55 2.1654	65 2.5591	60 2.362	1 0.04	JR55x65x60	0.444 0.979
58 2.2835	58 2.2835	65 2.5591	25 0.984	0.85 0.033	IM 58 65 25 P	0.125 0.276
60 2.3622	60 2.3622	68 2.6772	25 0.984	0.6 0.02	JR60x68x25	0.153 0.337
	60 2.3622	68 2.6772	35 1.378	0.6 0.02	JR60x68x35	0.220 0.485
	60 2.3622	68 2.6772	45 1.772	1 0.04	JR60x68x45	0.284 0.626
	60 2.3622	70 2.7559	25 0.984	1 0.04	JR60x70x25	0.200 0.441
	60 2.3622	70 2.7559	30 1.181	1 0.04	JR60x70x30	0.240 0.529
	60 2.3622	70 2.7559	35 1.378	0.85 0.033	IM 60 70 35 P	0.280 0.616
	60 2.3622	70 2.7559	60 2.362	1 0.04	JR60x70x60	0.480 1.058
65 2.5591	65 2.5591	72 2.8346	25 0.984	1 0.04	JR65x72x25	0.143 0.315
	65 2.5591	72 2.8346	45 1.772	1 0.04	JR65x72x45	0.266 0.586
	65 2.5591	73 2.8740	25 0.984	0.6 0.02	JR65x73x25	0.170 0.375
	65 2.5591	73 2.8740	35 1.378	0.6 0.02	JR65x73x35	0.240 0.529

(1) Inner rings for metric full complement needle roller bearings are produced with outside diameter tolerance g5.

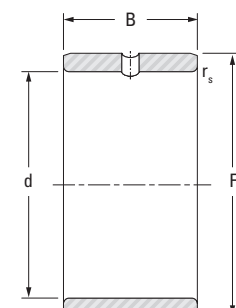
Continued on next page.



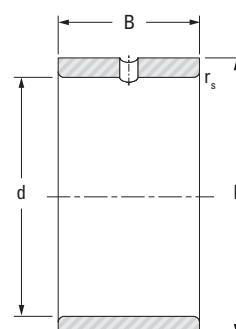
INNER RINGS



JR, IM..P



JR.JS1

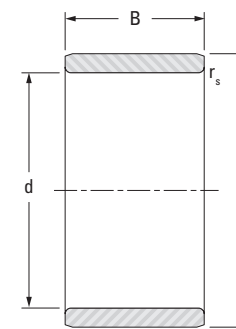


JRZ.JS1

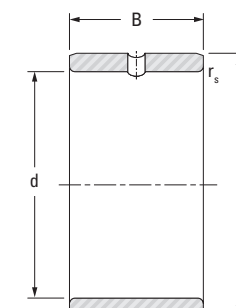
Shaft Dia.	d	F <sup>(1)</sup>	B	r <sub>s</sub> min	Inner Ring Designation	Wt.
mm in	mm in	mm in	mm in	mm in		kg lbs
65 2.5591	65 2.5591	75 2.9528	28 1.102	1 0.04	JR65x75x28	0.240 0.529
	65 2.5591	75 2.9528	30 1.181	1 0.04	JR65x75x30	0.260 0.573
	65 2.5591	75 2.9528	60 2.362	1 0.04	JR65x75x60	0.520 1.146
70 2.7559	70 2.7559	80 3.1496	25 0.984	1 0.04	JR70x80x25	0.230 0.507
	70 2.7559	80 3.1496	30 1.181	1 0.04	JR70x80x30	0.270 0.595
	70 2.7559	80 3.1496	35 1.378	1 0.04	JR70x80x35	0.320 0.705
	70 2.7559	80 3.1496	54 2.126	1 0.04	JR70x80x54	0.500 1.102
	70 2.7559	80 3.1496	60 2.362	1 0.04	JR70x80x60	0.556 1.226
75 2.9528	75 2.9528	85 3.3465	25 0.984	1 0.04	JR75x85x25	0.240 0.529
	75 2.9528	85 3.3465	30 1.181	1 0.04	JR75x85x30	0.289 0.637
	75 2.9528	85 3.3465	35 1.378	1 0.04	JR75x85x35	0.338 0.745
	75 2.9528	85 3.3465	54 2.126	1 0.04	JR75x85x54	0.530 1.168
80 3.1496	80 3.1496	90 3.5433	25 0.984	1 0.04	JR80x90x25	0.260 0.573
	80 3.1496	90 3.5433	30 1.181	1 0.04	JR80x90x30	0.306 0.675
	80 3.1496	90 3.5433	35 1.378	1 0.04	JR80x90x35	0.355 0.783
	80 3.1496	90 3.5433	54 2.126	1 0.04	JR80x90x54	0.565 1.246
85 3.3465	85 3.3465	95 3.7402	26 1.024	1 0.04	JR85x95x26	0.290 0.639
	85 3.3465	95 3.7402	30 1.181	1 0.04	JR85x95x30	0.334 0.736
	85 3.3465	95 3.7402	36 1.417	1 0.04	JR85x95x36	0.397 0.875
	85 3.3465	100 3.9370	35 1.378	1.1 0.04	JR85x100x35	0.595 1.312
	85 3.3465	100 3.9370	63 2.480	1.1 0.04	JR85x100x63	1.080 2.381
90 3.5433	90 3.5433	100 3.9370	26 1.024	1 0.04	JR90x100x26	0.300 0.661
	90 3.5433	100 3.9370	30 1.181	1 0.04	JR90x100x30	0.350 0.772
	90 3.5433	100 3.9370	36 1.417	1 0.04	JR90x100x36	0.422 0.930

(1) Inner rings for metric full complement needle roller bearings are produced with outside diameter tolerance g5.

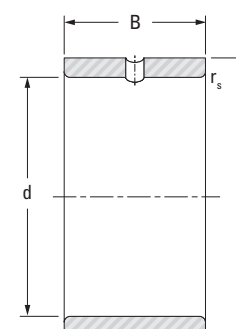
INNER RINGS



JR, IM..P



JR.JS1



JRZ.JS1

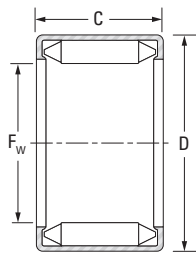
Shaft Dia.	d	F <sup>(1)</sup>	B	r <sub>s</sub> min	Inner Ring Designation	Wt.
mm in	mm in	mm in	mm in	mm in		kg lbs
90 3.5433	90 3.5433	105 4.1339	32 1.260	1.1 0.04	JR90x105x32	0.580 1.279
	90 3.5433	105 4.1339	35 1.378	1.1 0.04	JR90x105x35	0.624 1.376
	90 3.5433	105 4.1339	63 2.480	1.1 0.04	JR90x105x63	1.140 2.513
95 3.7402	95 3.7402	105 4.1339	26 1.024	1 0.04	JR95x105x26	0.310 0.683
	95 3.7402	105 4.1339	36 1.417	1 0.04	JR95x105x36	0.430 0.948
	95 3.7402	110 4.3307	35 1.378	1.1 0.04	JR95x110x35	0.653 1.440
	95 3.7402	110 4.3307	63 2.480	1.1 0.04	JR95x110x63	1.200 2.646
100 3.9370	100 3.9370	110 4.3307	30 1.181	1.1 0.04	JR100x110x30	0.384 0.847
	100 3.9370	110 4.3307	40 1.575	1.1 0.04	JR100x110x40	0.510 1.124
	100 3.9370	115 4.5276	40 1.575	1.1 0.04	JR100x115x40	0.790 1.742
110 4.3307	110 4.3307	120 4.7244	30 1.181	1 0.04	JR110x120x30	0.425 0.937
	110 4.3307	125 4.9213	40 1.575	1.1 0.04	JR110x125x40	0.870 1.918
120 4.7244	120 4.7244	130 5.1181	30 1.181	1 0.04	JR120x130x30	0.460 1.014
	120 4.7244	135 5.3150	45 1.772	1.1 0.04	JR120x135x45	1.060 2.337
130 5.1181	130 5.1181	145 5.7087	35 1.378	1.1 0.04	JR130x145x35	0.890 1.962
	130 5.1181	150 5.9055	50 1.969	1.5 0.06	JR130x150x50	1.730 3.814
140 5.5118	140 5.5118	155 6.1024	35 1.378	1.1 0.04	JR140x155x35	0.955 2.105
	140 5.5118	160 6.2992	50 1.969	1.5 0.06	JR140x160x50	1.860 4.101
150 5.9055	150 5.9055	165 6.4961	40 1.575	1.1 0.04	JR150x165x40	1.170 2.579
160 6.2992	160 6.2992	175 6.8898	40 1.575	1.1 0.04	JR160x175x40	1.240 2.734
170 6.6929	170 6.6929	185 7.2835	45 1.772	1.1 0.04	JR170x185x45	1.480 3.263
180 7.0866	180 7.0866	195 7.6772	45 1.772	1.1 0.04	JR180x195x45	1.560 3.439

(1) Inner rings for metric full complement needle roller bearings are produced with outside diameter tolerance g5.

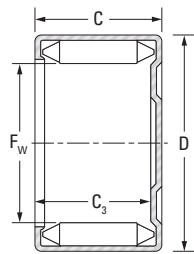


DRAWN CUP NEEDLE ROLLER BEARINGS
FULL COMPLEMENT
OPEN ENDS,
CLOSED ONE END

METRIC SERIES
DL, DLF SERIES



DL



DLF

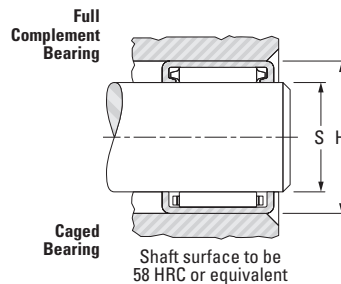


Table with columns: Shaft Dia., Fw, D, C, C3 min, Bearing Designation, Load Ratings (Dynamic, Static), Approx. Wt., Inspection gage, Mounting inner ring. Rows include sizes 6, 8, 9, 10, 12, 13, 14, 15, 16.

Note) - For information on the speed ratings, contact JTEKT.
- For the recommended mounting dimensions see Table B2-1.

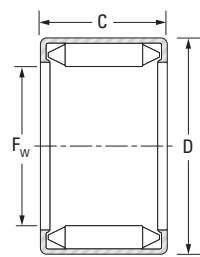
Table with columns: Shaft Dia., Fw, D, C, C3 min, Bearing Designation, Load Ratings (Dynamic, Static), Approx. Wt., Inspection gage, Mounting inner ring. Rows include sizes 16, 17, 18, 20, 22, 25, 28, 30, 35.

Continued on next page.

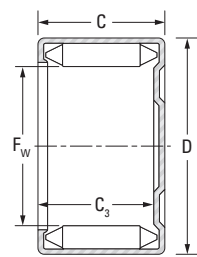


**DRAWN CUP NEEDLE ROLLER BEARINGS  
FULL COMPLEMENT  
OPEN ENDS,  
CLOSED ONE END**

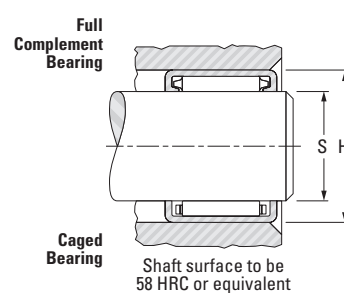
**METRIC SERIES  
DL, DLF SERIES**



**DL**



**DLF**

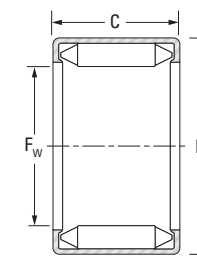


Shaft Dia.	F <sub>w</sub>	D	C		C <sub>3 min</sub>	Bearing Designation		Load Ratings		Approx. Wt.	Inspection gage	Mounting inner ring (pages B-2-43 to B-2-45)
			+0 -0.3	+0.000 -0.012		Open Ends	Closed One End	Dynamic	Static			
			mm in	mm in				C	C <sub>0</sub>			
<b>35</b> 1.3780	<b>35</b> 1.3780	<b>43</b> 1.6929	<b>16</b> 0.630	<b>13.70</b> 0.539	—	DLF 35 16	<b>24.0</b> 5400	<b>54.0</b> 12100	<b>0.053</b> 0.117	Table B2-3	IM 30 35 16,4	
	<b>35</b> 1.3780	<b>43</b> 1.6929	<b>20</b> 0.787	—	DL 35 20	—	<b>29.0</b> 6520	<b>65.0</b> 14600	<b>0.057</b> 0.126	Table B2-3	IM 30 35 20,4	
	<b>35</b> 1.3780	<b>43</b> 1.6929	<b>20</b> 0.787	<b>17.70</b> 0.697	—	DLF 35 20	<b>29.0</b> 6520	<b>65.0</b> 14600	<b>0.064</b> 0.141	Table B2-3	IM 30 35 20,4	
<b>40</b> 1.5748	<b>40</b> 1.5748	<b>48</b> 1.8898	<b>16</b> 0.630	—	DL 40 16	—	<b>26.5</b> 5960	<b>62.0</b> 13900	<b>0.051</b> 0.112	Table B2-3	IM 35 40 16,4	
	<b>40</b> 1.5748	<b>48</b> 1.8898	<b>16</b> 0.630	<b>13.70</b> 0.539	—	DLF 40 16	<b>26.50</b> 5960	<b>62.0</b> 13900	<b>0.061</b> 0.134	Table B2-3	IM 35 40 16,4	
	<b>40</b> 1.5748	<b>48</b> 1.8898	<b>20</b> 0.787	—	DL 40 20	—	<b>36.0</b> 8090	<b>84.0</b> 18900	<b>0.064</b> 0.141	Table B2-3	IM 35 40 20,4	
	<b>40</b> 1.5748	<b>48</b> 1.8898	<b>20</b> 0.787	<b>17.7</b> 0.697	—	DLF 40 20	<b>36.0</b> 8090	<b>84.0</b> 18900	<b>0.074</b> 0.163	Table B2-3	IM 35 40 20,4	
<b>44</b> 1.7323	<b>44</b> 1.7323	<b>52</b> 2.0472	<b>16</b> 0.630	—	DL 44 16	—	<b>23.80</b> 5350	<b>57.00</b> 12800	<b>0.056</b> 0.123	Table B2-3	IM 40 44 16,4	
	<b>44</b> 1.7323	<b>52</b> 2.0472	<b>16</b> 0.630	<b>13.70</b> 0.539	—	DLF 44 16	<b>23.80</b> 5350	<b>57.00</b> 12800	<b>0.066</b> 0.146	Table B2-3	IM 40 44 16,4	
<b>47</b> 1.8504	<b>47</b> 1.8504	<b>55</b> 2.1654	<b>16</b> 0.630	—	DL 47 16	—	<b>25.00</b> 5620	<b>61.00</b> 13700	<b>0.060</b> 0.132	Table B2-3		
	<b>47</b> 1.8504	<b>55</b> 2.1654	<b>16</b> 0.630	<b>13.70</b> 0.539	—	DLF 47 16	<b>25.00</b> 5620	<b>61.00</b> 13700	<b>0.071</b> 0.157	Table B2-3		
<b>50</b> 1.9685	<b>50</b> 1.9685	<b>58</b> 2.2835	<b>12</b> 0.472	—	DL 50 12	—	<b>20.00</b> 4500	<b>50.00</b> 11200	<b>0.047</b> 0.104	Table B2-3		
	<b>50</b> 1.9685	<b>58</b> 2.2835	<b>12</b> 0.472	<b>9.70</b> 0.382	—	DLF 50 12	<b>20.00</b> 4500	<b>50.00</b> 11200	<b>0.061</b> 0.134	Table B2-3		
	<b>50</b> 1.9685	<b>58</b> 2.2835	<b>18</b> 0.709	—	DL 50 18	—	<b>36.50</b> 8210	<b>92.00</b> 20700	<b>0.071</b> 0.157	Table B2-3		
	<b>50</b> 1.9685	<b>58</b> 2.2835	<b>18</b> 0.709	<b>15.70</b> 0.618	—	DLF 50 18	<b>36.50</b> 8210	<b>92.00</b> 20700	<b>0.085</b> 0.187	Table B2-3		
	<b>50</b> 1.9685	<b>58</b> 2.2835	<b>20</b> 0.787	—	DL 50 20	—	<b>37.00</b> 8320	<b>93.00</b> 20900	<b>0.077</b> 0.170	Table B2-3	IM 45 50 20,4	
	<b>50</b> 1.9685	<b>58</b> 2.2835	<b>20</b> 0.787	<b>17.70</b> 0.697	—	DLF 50 20	<b>37.00</b> 8320	<b>93.00</b> 20900	<b>0.091</b> 0.201	Table B2-3	IM 45 50 20,4	
<b>55</b> 2.1654	<b>55</b> 2.1654	<b>63</b> 2.4803	<b>20</b> 0.787	—	DL 55 20	—	<b>39.5</b> 8880	<b>102.0</b> 22900	<b>0.086</b> 0.190	Table B2-3	IM 50 55 20,4	
	<b>55</b> 2.1654	<b>63</b> 2.4803	<b>20</b> 0.787	<b>17.70</b> 0.697	—	DLF 55 20	<b>39.5</b> 8880	<b>102.0</b> 22900	<b>0.102</b> 0.225	Table B2-3	IM 50 55 20,4	

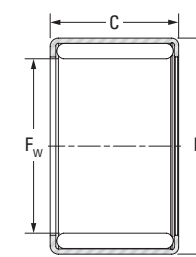
Note) · For information on the speed ratings, contact JTEKT.  
· For the recommended mounting dimensions see Table B2-1.

**DRAWN CUP NEEDLE ROLLER BEARINGS  
FULL COMPLEMENT  
OPEN ENDS,  
CLOSED ONE END**

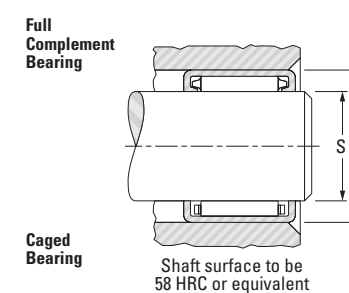
**METRIC SERIES  
BM, BHM, YM SERIES**



**BM, BHM**



**YM**



Shaft Dia.	F <sub>w</sub>	D	C		C <sub>3 min</sub>	Bearing Designation	Load Ratings		Approx. Wt.	Inspection gage	Mounting inner ring (pages B-2-43 to B-2-45)
			+0 -0.3	+0.000 -0.012			Dynamic	Static			
			mm in	mm in			C	C <sub>0</sub>			
<b>3.5</b> 0.1378	<b>3.5</b>	<b>8</b>	<b>11</b>	—	YM040811A	<b>4.5</b>	<b>4.2</b>	<b>0.003</b>	Table B2-4	—	
<b>6.13</b> 0.2413	<b>6.13</b>	<b>11</b>	<b>9.7</b>	—	6YM1110BM	<b>5.55</b>	<b>6.3</b>	<b>0.004</b>	Table B2-4	—	
<b>8</b> 0.3150	<b>8</b>	<b>12</b>	<b>10</b>	—	YM081210	<b>6.7</b>	<b>8.8</b>	<b>0.004</b>	Table B2-4	—	
	<b>8</b>	<b>13</b>	<b>10</b>	—	YM081310AM	<b>6.6</b>	<b>8.35</b>	<b>0.006</b>	Table B2-4	—	
<b>10</b> 0.3937	<b>10</b>	<b>14</b>	<b>10</b>	—	10BM1410	<b>8.55</b>	<b>11.8</b>	<b>0.004</b>	Table B2-4	—	
<b>12</b> 0.4724	<b>12</b>	<b>18</b>	<b>12</b>	—	12BM1812	<b>13</b>	<b>16.6</b>	<b>0.010</b>	Table B2-4	—	
<b>14</b> 0.5512	<b>14</b>	<b>20</b>	<b>12</b>	—	14BM2012	<b>14.2</b>	<b>19.3</b>	<b>0.011</b>	Table B2-4	—	
<b>15</b> 0.5906	<b>15</b>	<b>21</b>	<b>10</b>	—	15BM2110	<b>12.6</b>	<b>16.7</b>	<b>0.009</b>	Table B2-4	—	
	<b>15</b>	<b>21</b>	<b>12</b>	—	15BM2112	<b>15</b>	<b>20.9</b>	<b>0.012</b>	Table B2-4	—	
	<b>15</b>	<b>21</b>	<b>16</b>	—	15BM2116	<b>19.4</b>	<b>29.1</b>	<b>0.016</b>	Table B2-4	—	
<b>16</b> 0.6299	<b>16</b>	<b>22</b>	<b>12</b>	—	16BM2212	<b>15.8</b>	<b>22.4</b>	<b>0.012</b>	Table B2-4	—	
<b>17</b> 0.6693	<b>17</b>	<b>23</b>	<b>12</b>	—	17BM2312	<b>16</b>	<b>23.5</b>	<b>0.013</b>	Table B2-4	—	
	<b>17</b>	<b>24</b>	<b>12</b>	—	YM172412-1	<b>16.3</b>	<b>21.5</b>	<b>0.016</b>	Table B2-4	—	
	<b>17</b>	<b>24</b>	<b>17</b>	—	BM172417-1	<b>23.8</b>	<b>35</b>	<b>0.023</b>	Table B2-4	—	
	<b>17</b>	<b>24</b>	<b>20</b>	—	BHM1720A	<b>27.4</b>	<b>41.9</b>	<b>0.026</b>	Table B2-4	—	
	<b>17</b>	<b>24</b>	<b>25</b>	—	BHM1725	<b>33.3</b>	<b>53.7</b>	<b>0.034</b>	Table B2-4	—	
<b>18</b> 0.7087	<b>18</b>	<b>24</b>	<b>16</b>	—	18BM2416	<b>21.7</b>	<b>35.1</b>	<b>0.018</b>	Table B2-4	—	
<b>20</b> 0.7874	<b>20</b>	<b>26</b>	<b>14</b>	—	YM202614	<b>19</b>	<b>31.4</b>	<b>0.019</b>	Table B2-4	—	
	<b>20</b>	<b>26</b>	<b>16</b>	—	20BM2616	<b>21.6</b>	<b>38</b>	<b>0.021</b>	Table B2-4	—	

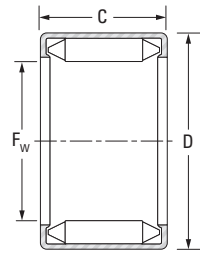
Note) · For information on the speed ratings, contact JTEKT.  
· For the recommended mounting dimensions see Table B2-1.

Continued on next page.

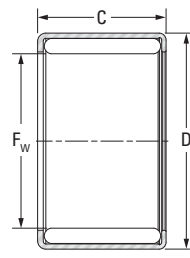


**DRAWN CUP NEEDLE ROLLER BEARINGS**  
**FULL COMPLEMENT**  
**OPEN ENDS,**  
**CLOSED ONE END**

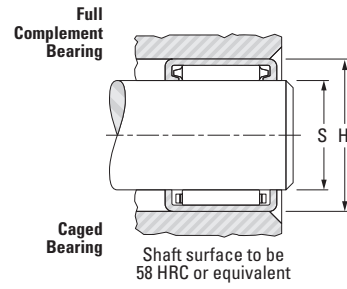
**METRIC SERIES**  
**BM, BHM, YM SERIES**



**BM, BHM**



**YM**

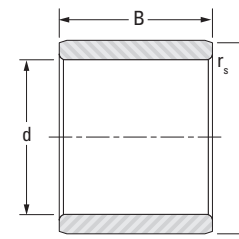


Shaft Dia.	F <sub>w</sub>	D	C		C <sub>3 min</sub>	Bearing Designation	Load Ratings		Approx. Wt.	Inspection gage	Mounting inner ring (pages B-2-43 to B-2-45)
			+0 -0.3	+0.000 -0.012			Dynamic C	Static C <sub>0</sub>			
mm in	mm in	mm in	mm in	mm in		kN lbf	kg lbs				
20 0.7874	20	26	20	—	20BM2620	26.3	49.1	0.026	Table B2-4	—	
		27	15	—	BM2015	23.8	35.9	0.022	Table B2-4	—	
		27	26	—	BM2026	38.3	66.2	0.040	Table B2-4	—	
21 0.8268	21	27	20	—	21YM2720J	27.6	52.4	0.029	Table B2-4	—	
22 0.8661	22	29	25	—	BM222925	37.3	68.9	0.018	Table B2-4	—	
		32	16	—	BM2516	28.3	48.2	0.028	Table B2-4	—	
25 0.9843	25	32	20	—	BM2520	34.4	62	0.036	Table B2-4	—	
		32	26	—	BM2526	43	82.7	0.048	Table B2-4	—	
		33	25	—	BHM2525	44.8	78.7	0.053	Table B2-4	—	
28 1.1024	28	34	17	—	BM2817	29.5	58.9	0.029	Table B2-4	—	
		34	24	—	BM2824	39.5	86	0.042	Table B2-4	—	
		37	30	—	28BHM3730	60.1	107	0.080	Table B2-4	—	
		39	30	—	BM283930A	64.7	104	0.101	Table B2-4	—	
30 1.1811	30	37	20	—	30BM3720	38.5	74.9	0.042	Table B2-4	—	
		37	26	—	30BM3726	48.2	99.7	0.056	Table B2-4	—	
34 1.3386	34	42	25	—	34YM4225L	50.9	106	0.075	Table B2-4	—	
		48	20	—	YM3820PL	52.2	92.7	0.082	Table B2-4	—	
40 1.5748	40	53	20	—	YM405320JM	63	96.5	0.116	Table B2-4	—	

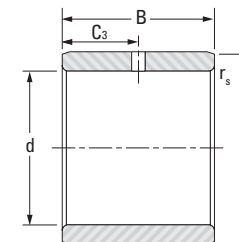
Note) · For information on the speed ratings, contact JTEKT.  
 · For the recommended mounting dimensions see Table B2-1.

**INNER RINGS FOR FULL COMPLEMENT DRAWN CUP NEEDLE ROLLER BEARINGS**

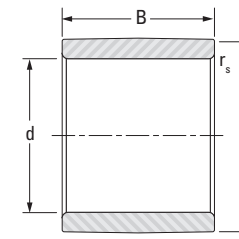
**METRIC SERIES**



**IM**



**IMC**



**IM...R6**

Shaft Dia.	d	F <sup>(1)</sup>	B	Hole Location C <sub>3</sub>	r <sub>s min</sub>	Inner Ring Designation	Wt.
mm in	mm in	mm in	mm in	mm in	mm in		kg lbs
8 0.3150	8 0.3150	12 0.4724	12.4 0.488		0.3 0.01	IM 8 12 12,4	0.006 0.013
		13 0.5118	12.4 0.488		0.3 0.01	IM 9 13 12,4	0.006 0.013
10 0.3937	10 0.3937	13 0.5118	12.4 0.488		0.3 0.01	IM 9 13 12,4 R6	0.006 0.013
		14 0.5512	12.4 0.488		0.3 0.01	IM 10 14 12,4	0.007 0.015
		14 0.5512	16.4 0.646		0.3 0.01	IM 10 14 16,4	0.009 0.020
11 0.4331	11 0.4331	15 0.5906	12.4 0.488		0.3 0.01	IM 11 15 12,4	0.008 0.018
		15 0.5906	12.4 0.488		0.2 0.01	IM 12 15 12,4	0.006 0.013
12 0.4724	12 0.4724	16 0.6299	12.4 0.488		0.2 0.01	IM 12 16 12,4	0.008 0.018
		16 0.6299	12.4 0.488		0.3 0.01	IM 12 16 12,4 R6	0.008 0.018
		16 0.6299	12.4 0.488	6.2 0.24	0.3 0.01	IMC 12 16 12,4	0.008 0.018
13 0.5118	13 0.5118	17 0.6693	12.4 0.488		0.3 0.01	IM 13 17 12,4	0.009 0.020
		18 0.7087	12.4 0.488		0.35 0.014	IM 13 18 12,4	0.011 0.025
13 0.5118	13 0.5118	18 0.7087	12.4 0.488		0.35 0.014	IM 13 18 12,4 R6	0.011 0.025
		18 0.7087	16.4 0.646		0.35 0.014	IM 13 18 16,4	0.015 0.033
		20 0.7874	12.4 0.488		0.35 0.014	IM 15 20 12,4	0.013 0.028
15 0.5906	15 0.5906	20 0.7874	16.4 0.646		0.35 0.014	IM 15 20 16,4	0.017 0.037
		22 0.8661	16.4 0.646		0.35 0.014	IM 17 22 16,4	0.019 0.041
17 0.6693	17 0.6693	22 0.8661	16.4 0.646		0.35 0.014	IM 17 22 16,4 R6	0.019 0.041
		22 0.8661	16.4 0.646	8.2 0.32	0.35 0.014	IMC 17 22 16,4	0.019 0.041
20 0.7874	20 0.7874	25 0.9843	16.4 0.646		0.35 0.014	IM 20 25 16,4	0.022 0.047
		25 0.9843	16.4 0.646		0.35 0.014	IM 20 25 16,4 R6	0.022 0.047
20 0.7874	20 0.7874	25 0.9843	16.4 0.646	8.2 0.32	0.35 0.014	IMC 20 25 16,4	0.022 0.047
		25 0.9843	20.4 0.803		0.35 0.014	IM 20 25 20,4	0.027 0.060

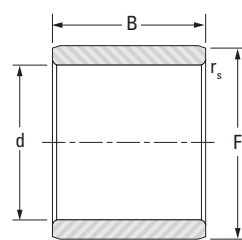
(1) Call for O.D. tolerance

Continued on next page.

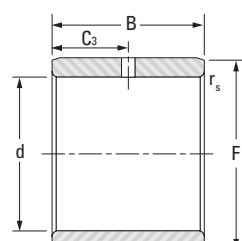


INNER RINGS FOR FULL COMPLEMENT DRAWN CUP NEEDLE ROLLER BEARINGS

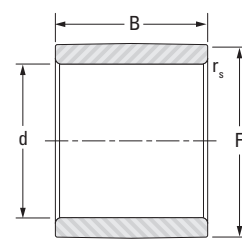
METRIC SERIES



IM



IMC



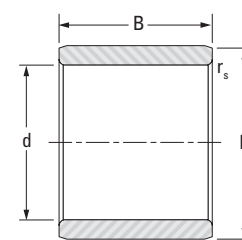
IM...R6

Shaft Dia.	d	F (1)	B	Hole Location C <sub>3</sub>	r <sub>s</sub> min	Inner Ring Designation	Wt.
mm in	mm in	mm in	mm in	mm in	mm in		kg lbs
20 0.7874	20 0.7874	25 0.9843	20.4 0.803	10.2 0.40	0.35 0.014	IMC 20 25 20,4	0.027 0.060
	20 0.7874	25 0.9843	25.0 0.984		0.35 0.014	IM 20 25 25	0.033 0.073
23 0.9055	23 0.9055	28 1.1024	20.4 0.803		0.35 0.014	IM 23 28 20,4	0.031 0.067
25 0.9843	25 0.9843	30 1.1811	16.4 0.646		0.35 0.014	IM 25 30 16,4	0.027 0.060
	25 0.9843	30 1.1811	16.4 0.646		0.35 0.014	IM 25 30 16,4 R6	0.027 0.060
	25 0.9843	30 1.1811	16.4 0.646	8.2 0.32	0.35 0.014	IMC 25 30 16,4	0.027 0.058
	25 0.9843	30 1.1811	20.4 0.803		0.35 0.014	IM 25 30 20,4	0.033 0.073
	25 0.9843	30 1.1811	20.4 0.803	10.2 0.40	0.35 0.014	IMC 25 30 20,4	0.033 0.073
	25 0.9843	30 1.1811	25 0.984		0.35 0.014	IM 25 30 25	0.040 0.088
30 1.1811	30 1.1811	35 1.3780	16.4 0.646		0.35 0.014	IM 30 35 16,4	0.031 0.068
	30 1.1811	35 1.3780	16.4 0.646		0.35 0.014	IM 30 35 16,4 R6	0.031 0.068
	30 1.1811	35 1.3780	16.4 0.646	8.2 0.32	0.35 0.014	IMC 30 35 16,4	0.031 0.068
	30 1.1811	35 1.3780	20.4 0.803		0.35 0.014	IM 30 35 20,4	0.039 0.086
	30 1.1811	35 1.3780	20.4 0.803		0.35 0.014	IM 30 35 20,4 R6	0.039 0.086
	30 1.1811	35 1.3780	20.4 0.803	10.2 0.40	0.35 0.014	IMC 30 35 20,4	0.039 0.086
	30 1.1811	35 1.3780	25.0 0.984		0.35 0.014	IM 30 35 25	0.048 0.106
35 1.3780	35 1.3780	40 1.5748	16.4 0.646		0.35 0.014	IM 35 40 16,4	0.036 0.079
	35 1.3780	40 1.5748	16.4 0.646		0.35 0.014	IM 35 40 16,4 R6	0.036 0.079
	35 1.3780	40 1.5748	20.4 0.803		0.35 0.014	IM 35 40 20,4	0.045 0.099
	35 1.3780	40 1.5748	20.4 0.803		0.35 0.014	IM 35 40 20,4 R6	0.045 0.099
	35 1.3780	40 1.5748	20.4 0.803	10.2 0.40	0.35 0.014	IMC 35 40 20,4	0.045 0.099
	35 1.3780	40 1.5748	25 0.984		0.35 0.014	IM 35 40 25	0.055 0.121
40 1.5748	40 1.5748	44 1.7323	16.4 0.646		0.3 0.01	IM 40 44 16,4	0.032 0.071

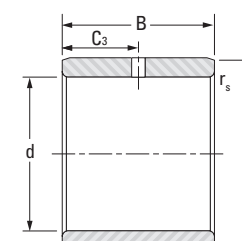
(1) Call for O.D. tolerance

INNER RINGS FOR FULL COMPLEMENT DRAWN CUP NEEDLE ROLLER BEARINGS

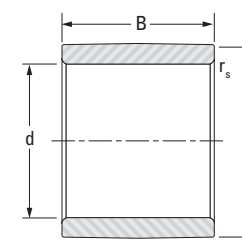
METRIC SERIES



IM



IMC



IM...R6

Shaft Dia.	d	F (1)	B	Hole Location C <sub>3</sub>	r <sub>s</sub> min	Inner Ring Designation	Wt.
mm in	mm in	mm in	mm in	mm in	mm in		kg lbs
40 1.5748	40 1.5748	44 1.7323	16.4 0.646		0.3 0.01	IM 40 44 16,4 R6	0.032 0.071
	40 1.5748	44 1.7323	16.4 0.646	8.2 0.32	0.3 0.01	IMC 40 44 16,4	0.032 0.071
	40 1.5748	45 1.7717	20.4 0.803		0.35 0.014	IM 40 45 20,4	0.051 0.112
	40 1.5748	44 1.7323	20.4 0.803	10.2 0.40	0.35 0.014	IMC 40 45 20,4	0.051 0.112
45 1.7717	45 1.7717	50 1.9685	20.4 0.803		0.65 0.026	IM 45 50 20,4	0.056 0.123
	45 1.7717	50 1.9685	20.4 0.803		0.65 0.026	IM 45 50 20,4 R6	0.056 0.123
	45 1.7717	50 1.9685	25 0.984		0.65 0.026	IM 45 50 25	0.069 0.152
	45 1.7717	50 1.9685	25 0.984		0.65 0.026	IM 45 50 25 R6	0.069 0.152
50 1.9685	50 1.9685	55 2.1654	20.4 0.803		0.65 0.026	IM 50 55 20,4 R6	0.062 0.137
	50 1.9685	55 2.1654	20.4 0.803		0.65 0.026	IM 50 55 20,4	0.062 0.137

(1) Call for O.D. tolerance



### DRAWN CUP NEEDLE ROLLER BEARINGS

#### INCH SERIES

When a rolling bearing is needed for a compact and economical design, where it is not practical to harden and grind the housing bore, or where the housing materials are of low rigidity such as cast iron, aluminum or even plastics – drawn cup needle roller bearings should be considered.

#### REFERENCE STANDARDS

- **ANSI/ABMA 18.2** – needle roller bearings - radial, inch design.
- **JIS B 1536** – rolling bearings – needle roller bearings – boundary dimensions and tolerances.



Y



B

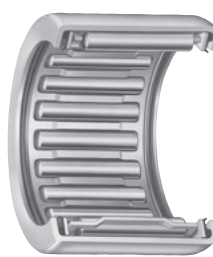


M

Full complement bearings



J



JTT



BT

Caged bearings

Fig. B2-9. Types of inch series drawn cup needle roller bearings

### CONSTRUCTION

#### FULL COMPLEMENT BEARINGS

The original drawn cup needle roller bearing employs a full complement of needle rollers. The full complement drawn cup bearing combines maximum load-carrying capability with the advantages of the drawn outer ring.

The inward turned lips of the cup are used to mechanically retain the full complement of needle rollers, providing their positive radial retention – even though it may be necessary to remove the shaft repeatedly during servicing of the mechanism employing the bearing.

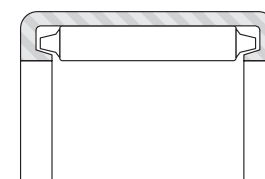


Fig. B2-10. Full complement bearing

#### CAGED BEARINGS

The one-piece steel cage, used in most caged drawn cup bearings, is designed to provide rigidity and minimize wear. This cage design separates the roller guiding and roller retention functions. The portions of the cage that retain the rollers cannot contact the rollers while the bearing is operating. Thus, there is no wear which might affect roller retention.

The cage contacts the rollers only near their ends at the roller pitch line, so accurate guidance is achieved with least effort. Pitch line guidance at the ends of the rollers prevents skewing and assures roller stability, with little stress on the cage itself. The design minimizes the contact area and force required for roller guidance, and thus minimizes drag between cage and rollers.

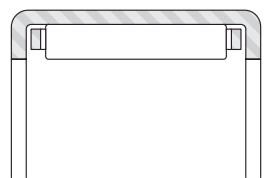


Fig. B2-11. Caged bearing

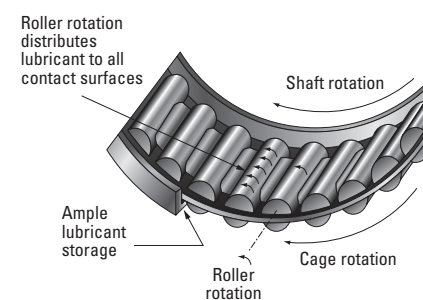


Fig. B2-12. Cage design

The same design feature that assures no contact between roller retention bars and rollers while the bearing is operating, also provides ample clearance along the length of the roller to enhance the circulation of lubricant.

There are bearings with other cage designs. Bearings with engineered polymer cages are for use where operating conditions permit. Before applying bearings with engineered polymer cages, please consult your representative.

#### SEALED BEARINGS

Drawn cup caged needle roller bearings are offered with integral seals. The tables of dimensions on pages B-2-72 and B-2-73 indicate those sizes available with lip contact seals. The seal lip design achieves a light and constant contact with the shaft throughout the range of mounting bearing clearances thereby ensuring positive sealing and low frictional drag.

Sealed drawn cup bearings are intended to retain grease or non-pressurized oil within a bearing while also preventing contaminants from entering the raceway area.

Details of shaft design for sealed bearings are given in the engineering section.

The standard lip contact seals are compatible with common lubricating oils and petroleum based fuels. But they are adversely affected by certain fire-resistant hydraulic fluids and most common solvents.

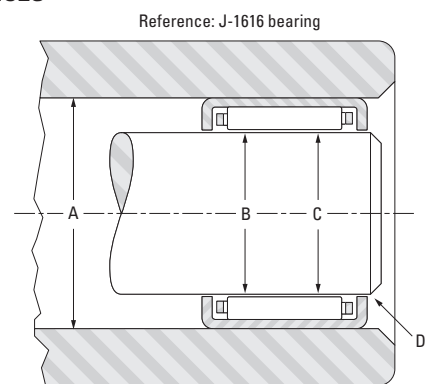
If the operating temperature must be outside of the specified range, or if the seals are exposed to unusual fluids, please consult your representative.





**DIMENSIONAL ACCURACY AND MOUNTING DIMENSIONS**

**MANUFACTURING TOLERANCES AND RESULTING CLEARANCES**



Reference: J-1616 bearing  
 A. Housing bore tolerance 0.025 mm (0.0010 in)  
 B. Manufacturing tolerance for bearing 0.023 mm (0.0009 in)  
 C. Shaft diameter tolerance 0.013 mm (0.0005 in)  
 D. Min. Initial radial clearance 0.013 mm (0.0005 in)

Fig. B2-13. Manufacturing tolerances and resulting clearances

**BEARING MOUNTING FITS AND RADIAL INTERNAL CLEARANCE**

Drawn cup bearings are manufactured to a degree of precision that will satisfy the radial clearance requirements of most applications. The total radial clearance of an installed drawn cup bearing results from the buildup of manufacturing tolerances of the housing bore, inner raceway O.D., and the bearing – as well as the minimum radial clearance required for the application.

For bearings of nominal inch dimensions, the suggested mounting dimensions will provide correct running clearance for most applications. Closer control of radial clearance would be governed by the user's capability of holding housing and shaft raceway dimensional tolerances tighter than the limits shown in the bearing tables.

The drawing illustrates the manufacturing tolerances and resulting clearances applying to medium size drawn cup bearings, in rotating applications, when using the suggested tabulated mounting dimensions.

Radial clearance in a mounted bearing may be more closely controlled by reducing the manufacturing tolerances of the housing bore and inner raceway diameter. Where extremely close control of radial clearance is required for bearings of nominal inch dimensions, extra-precision full complement bearings are available (see page B-2-63).

Table B2-7. Recommended inch series fits (inner ring rotation)

Bearing design	Shaft			Housing		
	Classification	Maximum	Minimum	Classification	Maximum	Minimum
B, M, J, JTT 1)	Fw ≤ 5.556mm (7/32")	0	-0.008mm (-0.0003")	D ≤ 7.144mm (9/32")	+0.013mm (+0.0005")	0
	5.556mm (7/32") < Fw ≤ 50.006mm (1 31/32")	0	-0.013mm (-0.0005")		+0.013mm (+0.0005")	-0.013mm (-0.0005")
	50.006mm (1 31/32") < Fw ≤ 119.856mm (4 23/32")	0	-0.015mm (-0.0006")	7.144mm (9/32") < D	+0.013mm (+0.0005")	-0.013mm (-0.0005")
	119.856mm (4 23/32") < Fw ≤ 180.181mm (7 3/32")	0	-0.018mm (-0.0007")	7.144mm (9/32") < D ≤ 8.731mm (11/32")	0	-0.013mm (-0.0005")
Y, BT	h6			8.731mm(11/32") < D		J7

NOTE 1: Special fits  
 When D = 8.733 mm (0.3438"): housing fit: -0.003 mm (-0.0001") maximum, -0.015 mm (-0.0006") minimum  
 When D = 22.212 mm (0.8745"): housing fit: +0.025 mm (+0.0010") maximum, 0 mm (0") minimum  
 When D = 152.400 mm (6.0000"): housing fit: +0.025 mm (+0.0010") maximum, -0.025 mm (-0.0010") minimum

**TOLERANCES FOR HOUSING MATERIALS OF LOW RIGIDITY**

For housing materials of low rigidity, or steel housings of small section, it is suggested that for initial trial the housing bore diameters given in the bearing tables be reduced by the amounts shown in Table B2-5. To maintain normal radial internal clearance, the inner raceway diameter tolerance given in the bearing tables should be used.

Table B2-5. Low Rigidity Housing Bore

Nom. housing bore				Subtract	
Over	Incl.	Over	Incl.	mm	in
0.0	9.5	0.00	0.38	0.010	0.0004
9.5	25.4	0.38	1.00	0.015	0.0006
25.4	50.8	1.00	2.00	0.025	0.0010
50.8	76.2	2.00	3.00	0.030	0.0012
76.2	152.4	3.00	6.00	0.036	0.0014

**OUTER RING ROTATION**

For applications where the outer ring rotates with respect to the load, it is suggested that both the housing bore and inner raceway diameter be reduced. Bearings of nominal inch dimensions should have the housing bore and inner raceway diameters reduced by 0.013 mm (0.0005 in)

**OSCILLATING MOTION**

Applications involving oscillating motion often require reduced radial clearances. This reduction is accomplished by increasing the shaft raceway diameters as shown in Table B2-6.

Table B2-6. Nominal inch bearing oscillating shaft size

Shaft size		Add	
mm	in	mm	in
2.38 to 4.76	0.094 to 0.188	0.008	0.0003
6.35 to 47.62	0.250 to 1.875	0.013	0.0005
50.8 to 139.70	2.000 to 5.500	0.015	0.0006

For information on fits to housing materials of low rigidity and on fits during outer ring rotation and during oscillation rotation, contact JTEKT.

**INNER RINGS**

Where it becomes impractical to meet the shaft raceway design requirements (hardness, case depth, surface finish, etc.) outlined in the engineering section, standard inner rings for drawn cup bearings are available. These are tabulated on pages B-2-74 to B-2-76 of the drawn cup section.

Inner rings for drawn cup bearings are designed to be a loose transition fit on the shaft and should be clamped against a shoulder. If a tight transition fit must be used to keep the inner ring from rotating relative to the shaft, the inner ring O.D., as mounted, must not exceed the raceway diameters required by the drawn cup bearing for the particular application.

**LOAD RATING FACTORS**

**Dynamic Loads**

Drawn cup needle roller bearings can accommodate only radial loads.

$$P = F_r$$

P = The maximum dynamic radial load that may be applied to a drawn cup bearing based on the dynamic load rating, C given in the bearing tables. This load should be ≤ C/3.

**Static Loads**

$$f_0 = \frac{C_0}{P_0}$$

f<sub>0</sub> = static load safety factor

C<sub>0</sub> = basic static load rating

P<sub>0</sub> = maximum applied static load

To ensure satisfactory operation of drawn cup needle roller bearings under all types of conditions the static load safety factor f<sub>0</sub> should be ≥ 3.

**INSPECTION PROCEDURES**

Although the bearing cup (outer ring) is accurately drawn from strip steel it may go out of round during heat treatment. When the bearing is pressed into a true, round housing or ring gage of correct size and wall thickness, it becomes round and is sized properly. For this reason, it is incorrect to inspect an unmounted drawn cup bearing by measuring the O.D. The correct method for inspecting the bearing size is to:

1. Press the bearing into a ring gage of proper size.
2. Plug the bearing bore with the appropriate "go" and "no go" gages.

Tables B2-8 and B2-9 starting on page B-2-50 provide the correct ring and plug gage diameters for inspecting drawn cup needle roller bearings.

When the letter H appears in the columns headed "Bearing Bore Designation" and "Nominal Shaft Diameter" in Table B2-8, the gage sizes listed are for the larger cross section bearings, which include H in their bearing designation prefix.

**Example**

Find the ring gage and plug gage dimensions for a BH-68 bearing.

The nominal bore diameter (F<sub>w</sub>) for this bearing, as shown in the table of dimensions on page B-2-55, is 9.525 mm (0.3750 in). Since the letter H appears in the bearing designation, the following information will be found opposite H6 9.525 mm (0.3750 in) in Table B2-8 on page B-2-50.

	in
ring gage diameter under needle rollers, min.	0.6255
ring gage diameter under needle rollers, max.	0.3765
plug gage, "go"	0.3775
plug gage, "no go"	0.3774

The "go" plug gage is the same size as the minimum needle roller complement bore diameter and the "no go" plug gage size is 0.002 mm (0.0001 in) larger than the maximum bore diameter. Therefore the correct ring and plug gage dimensions are:

	in
ring gage diameter under needle rollers, min.	0.6255
ring gage diameter under needle rollers, max.	0.3765
plug gage, "go"	0.3775
plug gage, "no go"	0.3775

These same gage dimensions also apply to JH-68.

Table B2-8 applies to the B, M, J and JTT series. Table B2-9 applies to the BT and Y series and to the B228 and B3216.



**Table B2-8. Ring and plug gage dimensions**

Bearing bore designation	Nominal shaft diameter	Nominal bore diameter	Ring gage	Needle roller complement bore diameter		Bearing bore designation	Nominal shaft diameter	Nominal bore diameter	Ring gage	Needle roller complement bore diameter	
				Max.	Min					Max.	Min
				mm in	mm in					mm in	mm in
2	3.175 1/8	3.175 0.1250	6.363 0.2505	3.218 0.1267	3.195 0.1258	15	23.813 19/16	23.813 0.9375	30.150 1.1870	23.848 0.9389	23.825 0.9380
2 1/2	3.970 5/32	3.967 0.1562	7.155 0.2817	4.013 0.1580	3.99 0.1571	16	25.400 1	25.400 1.0000	31.737 1.2495	25.436 1.0014	25.413 1.0005
3	4.763 3/16	4.763 0.1875	8.730 0.3437	4.806 0.1892	4.783 0.1883	H 16	H 25.400 H 1	25.400 1.0000	33.325 1.3120	25.436 1.0014	25.413 1.0005
4	6.350 1/4	6.350 0.2500	11.125 0.4380	6.411 0.2524	6.388 0.2515	17	26.988 1 1/16	26.988 1.0625	33.325 1.3120	27.023 1.0639	27.000 1.0630
5	7.938 5/16	7.938 0.3125	12.713 0.5005	7.998 0.3149	7.976 0.3140	18	28.575 1 1/8	28.575 1.1250	34.912 1.3745	28.611 1.1264	28.588 1.1255
H 5	H 7.938 H 5/16	7.938 0.3125	14.300 0.5630	7.998 0.3149	7.976 0.3140	H 18	H 28.575 H 1 1/8	28.575 1.1250	38.087 1.4995	28.611 1.1264	28.588 1.1255
6	9.525 3/8	9.525 0.3750	14.300 0.5630	9.586 0.3774	9.563 0.3765	19	30.163 1 3/16	30.163 1.1875	38.087 1.4995	30.198 1.1889	30.175 1.1880
H 6	H 9.525 H 3/8	9.525 0.3750	15.888 0.6255	9.586 0.3774	9.563 0.3765	20	31.750 1 1/4	31.750 1.2500	38.087 1.4995	31.786 1.2514	31.763 1.2505
7	11.113 7/16	11.113 0.4375	15.888 0.6255	11.174 0.4399	11.151 0.4390	H 20	H 31.750 H 1 1/4	31.750 1.2500	41.262 1.6245	31.786 1.2514	31.763 1.2505
H 7	H 11.113 H 7/16	11.113 0.4375	17.475 0.6880	11.174 0.4399	11.151 0.4390	21	33.338 1 5/16	33.338 1.3125	41.262 1.6245	33.376 1.3140	33.350 1.3130
8	12.700 1/2	12.700 0.5000	17.475 0.6880	12.761 0.5024	12.738 0.5015	22	34.925 1 3/8	34.925 1.3750	41.262 1.6245	34.963 1.3765	34.938 1.3755
H 8	H 12.700 H 1/2	12.700 0.5000	19.063 0.7505	12.761 0.5024	12.738 0.5015	H 22	H 34.925 H 1 3/8	34.925 1.3750	44.437 1.7495	34.963 1.3765	34.938 1.3755
9	14.288 3/4	14.288 0.5625	19.063 0.7505	14.349 0.5649	14.326 0.5640	24	38.100 1 1/2	38.100 1.5000	47.612 1.8745	38.141 1.5016	38.113 1.5005
H 9	H 14.288 H 3/4	14.288 0.5625	20.650 0.8130	14.349 0.5649	14.326 0.5640	26	41.275 1 5/8	41.275 1.6250	50.787 1.9995	41.316 1.6266	41.288 1.6255
10	15.875 5/8	15.875 0.6250	20.650 0.8130	14.349 0.6274	15.913 0.6265	28	44.450 1 3/4	44.450 1.7500	53.962 2.1245	44.493 1.7517	44.463 1.7505
H 10	H 15.875 H 5/8	15.875 0.6250	22.238 0.8755	14.349 0.6274	15.913 0.6265	30	47.625 1 7/8	47.625 1.8750	57.137 2.2495	47.668 1.8767	47.638 1.8755
11	17.463 1 1/16	17.463 0.6875	22.238 0.8755	17.524 0.6899	17.501 0.6890	32	50.800 2	50.800 2.0000	60.312 2.3745	50.846 2.0018	50.815 2.0006
H 11	H 17.463 H 1 1/16	17.463 0.6875	23.825 0.9380	17.524 0.6899	17.501 0.6890	H 33	H 52.388 H 2 1/16	52.388 2.0625	64.280 2.5307	52.436 2.0644	52.400 2.0630
12	19.050 3/4	19.050 0.7500	25.387 0.9995	19.086 0.7514	19.063 0.7505	34	53.975 2 1/8	53.975 2.1250	63.487 2.4995	54.026 2.1270	53.990 2.1256
H 12	H 19.050 H 3/4	19.050 0.7500	26.975 1.0620	19.086 0.7514	19.063 0.7505	36	57.150 2 1/4	57.150 2.2500	66.662 2.6245	57.201 2.2520	57.165 2.2506
13	20.638 1 3/16	20.638 0.8125	26.975 1.0620	20.673 0.8139	20.650 0.8130	42	66.675 2 5/8	66.675 2.6250	76.187 2.9995	66.736 2.6274	66.700 2.6260
H 13	H 20.638 H 1 3/16	20.638 0.8125	28.562 1.1245	20.673 0.8139	20.650 0.8130	44	69.850 2 3/4	69.850 2.7500	79.362 3.1245	69.911 2.7524	69.875 2.7510
14	22.225 7/8	22.225 0.8750	28.562 1.1245	22.261 0.8764	22.238 0.8755	56	88.900 3 1/2	88.900 3.5000	101.587 3.9995	88.961 3.5024	88.925 3.5010
H 14	H 22.225 H 7/8	22.225 0.8750	30.150 1.1870	22.261 0.8764	22.238 0.8755	88	139.700 5 1/2	139.700 5.5000	152.375 5.9990	139.774 5.5029	139.725 5.5010

Bearing bore should be checked with "go" and "no go" plug gages. The "go" gage size is the minimum needle roller complement bore diameter. The "no go" gage size is larger than the maximum needle roller complement bore diameter by 0.0001 in

**Table B2-9. Ring and plug gage dimensions<sup>1)</sup>**

Needle roller complement bore diameter F <sub>w</sub> nominal size	Ring gage	Plug gage		Needle roller complement bore diameter F <sub>w</sub> nominal size	Ring gage	Plug gage	
		Go	No go			Go	No go
		mm	mm			mm	mm
4.762(3/16)	8.730	4.783	4.808	26.988(1 1/16)	33.325	27.000	27.025
6.350(1/4)	11.125	6.388	6.413	28.575(1 1/8)	34.912	28.588	28.613
7.938(5/16)	12.713	7.976	8.001	30.162(1 3/16)	38.087	30.175	30.200
9.525(3/8)	14.300	9.563	9.588	31.750(1 1/4)	38.087	31.763	31.788
11.112(7/16)	15.888	11.151	11.176	33.338(1 5/16)	41.262	33.350	33.378
12.700(1/2)	17.475	12.738	12.763	34.925(1 3/8)	41.262	34.938	34.966
14.288(9/16)	19.063	14.326	14.351	38.100(1 1/2)	47.612	38.113	38.143
15.875(5/8)	20.650	15.913	15.938	41.275(1 5/8)	50.787	41.288	41.318
17.462(11/16)	22.237	17.501	17.526	44.450(1 3/4)	53.962	44.463	44.496
19.050(3/4)	23.825	19.063	19.088	47.625(1 7/8)	57.137	47.638	47.671
20.638(13/16)	25.387	20.650	20.675	50.800(2)	60.312	50.815	50.848
22.225(7/8)	26.975	22.238	22.263	52.388(2 1/16)	64.280	52.413	52.451
23.812(15/16)	28.562	23.825	23.850	53.975(2 1/8)	63.487	53.990	54.028
25.400(1)	28.562	25.413	25.438	57.150(2 1/4)	66.662	57.165	57.203
	30.150	30.150	30.150	63.500(2 1/2)	73.139	63.515	63.553
	31.737	31.737	31.737	66.675(2 5/8)	76.187	66.700	66.738
	33.325	33.325	33.325	69.850(2 3/4)	79.362	69.875	69.913
				88.900(3 1/2)	101.587	88.925	88.963

<sup>1)</sup> These values apply to the needle roller bearings of the BT series and Y series with inch nominal dimensions as well as to the B228 and B3216.



### INSTALLATION OF DRAWN CUP NEEDLE ROLLER BEARINGS

#### GENERAL INSTALLATION REQUIREMENTS

- A drawn cup needle roller bearing must be pressed into its housing.
- An installation tool, similar to the ones shown, must be used in conjunction with a standard press.
- The bearing must not be hammered into its housing – even in conjunction with the proper assembly mandrel.
- The bearing must not be pressed tightly against a shoulder in the housing.
- If it is necessary to use a shouldered housing, the depth of the housing bore must be sufficient to ensure the housing shoulder fillet, and the shoulder face, clear the bearing.
- The installation tool must be coaxial with the housing bore.

#### INSTALLATION OF OPEN END BEARINGS

It is advisable to utilize a positive stop on the press tool to locate the bearing properly in the housing. The assembly tool should have a leader or a pilot, as shown, to aid in starting the bearing true in the housing. The ball detent shown on the drawing is used to assist in aligning the rollers of a full complement bearing during installation and to hold the bearing on the installation tool. A caged-type drawn cup bearing does not require a ball detent to align its rollers. The ball detent may still be used to hold the bearing on the installation tool or an “O” ring may be used as shown in the drawing on this page. The bearing should be installed with the marked end (the end with identification markings) against the angled shoulder of the pressing tool.

- A – 0.40 mm (0.016 in) less than housing bore
- B – 0.08 mm (0.003 in) less than shaft diameter
- C – distance bearing will be inset into housing, minimum of 0.20 mm (0.008 in)
- D – pilot length should be length of bearing less 0.80 mm (0.030 in)
- E – approximately 1/2 D

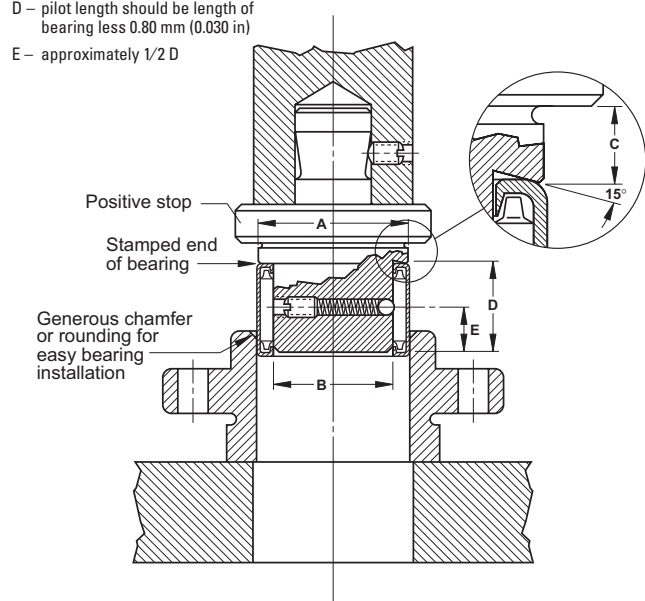


Fig. B2-14. Installation of open ends caged bearings

- A – 0.40 mm (0.016 in) less than housing bore
- B – 0.08 mm (0.003 in) less than shaft diameter
- C – distance bearing will be inset into housing, minimum of 0.20 mm (0.008 in)
- D – pilot length should be length of bearing less 0.80 mm (0.030 in)
- E – approximately 1/2 D

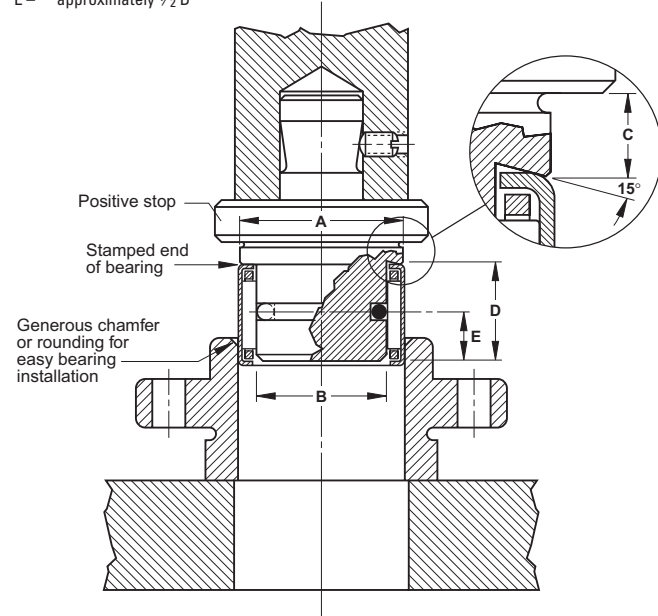


Fig. B2-15. Installation of open ends full complement bearings

#### INSTALLATION OF CLOSED END BEARINGS

The installation tool combines all the features of the tool used to install open end bearings. But the pilot is spring loaded and is part of the press bed.

The angled shoulder of the pressing tool should bear against the closed end, with the bearing held on the pilot, to aid in starting the bearing true in the housing.

- A – 0.40 mm (0.016 in) less than housing bore
- B – 0.08 mm (0.003 in) less than shaft diameter
- C – distance bearing will be inset into housing, minimum of 0.20 mm (0.008 in)

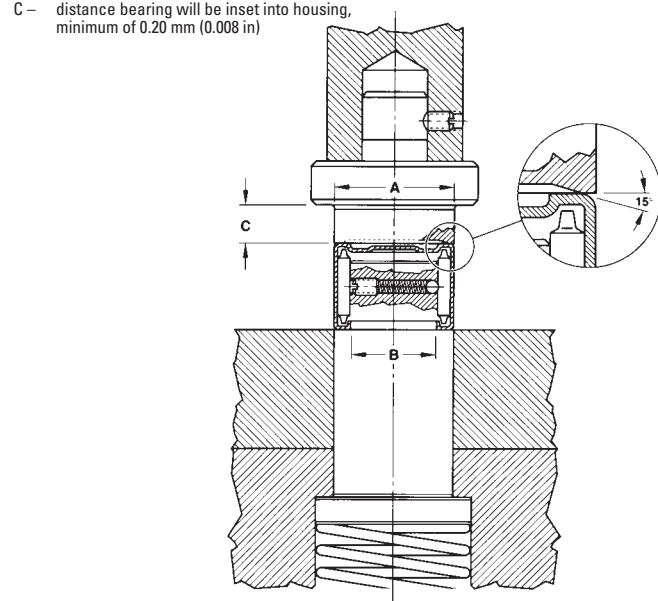


Fig. B2-16. Installation of closed end bearings

### EXTRACTION OF DRAWN CUP NEEDLE ROLLER BEARINGS

The need to extract a drawn cup needle roller bearing does not arise often. Standard extractor tools may be purchased from a reputable manufacturer. Customers may produce the special extraction tools at their own facilities. After extraction, the drawn cup needle roller bearing should not be reused.

#### EXTRACTION FROM A STRAIGHT HOUSING

When it is necessary to extract a drawn cup needle roller bearing from a straight housing, a similar tool to the installation tool – but without the stop – may be used. To avoid damage to the bearing, pressure should be applied against the marked end of the bearing, just as it is done at installation.

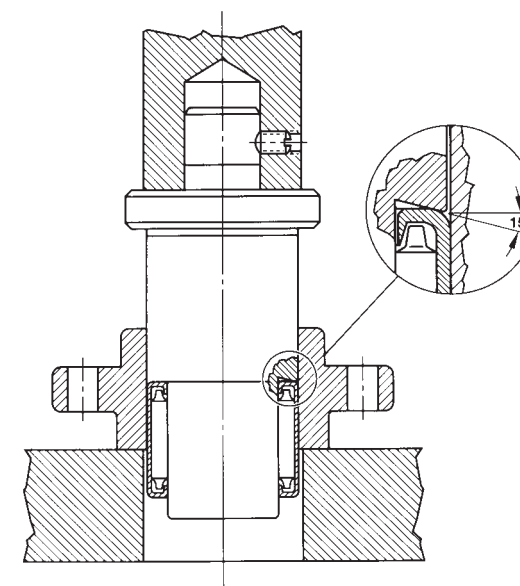


Fig. B2-17. Extraction from a straight housing

#### EXTRACTION FROM A SHOULDERED HOUSING

(with bearing pressed up close to the shoulder)

The tool to be used, as shown, is of a similar type described for a shouldered or dead end housing. But the rollers must first be removed from the bearing.

The four segment puller jaws are collapsed and slipped into the empty cup. The jaws are then forced outward into the cup bore, by means of the tapered expansion rod. The jaws should bear on the lip as near as possible to the cup bore. The cup is then pressed out from the top.

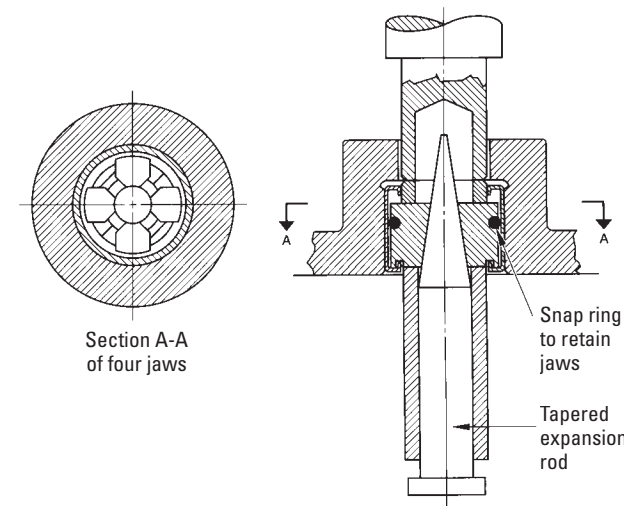


Fig. B2-18. Extraction from a shouldered housing

#### EXTRACTION FROM A SHOULDERED OR DEAD END HOUSING

(with space between the bearing and the housing shoulder)

Bearings may be extracted from shouldered or dead end housings with a common bearing puller tool as shown. This type of tool is slotted in two places, at right angles, to form four prongs. The four puller prongs are pressed together and inserted into the space between the end of the bearing and the shoulder. The prongs are forced outward by inserting the expansion rod, and then the bearing is extracted. Do not reuse the bearing after extraction.

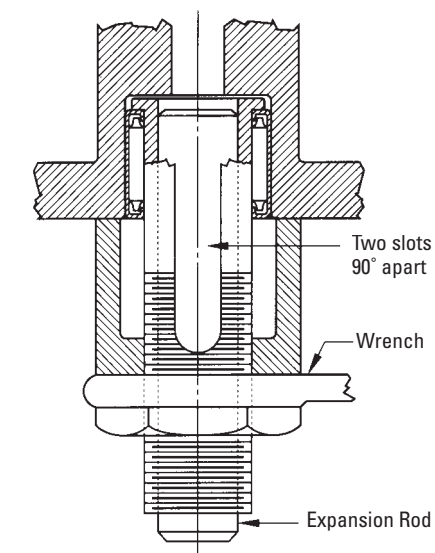
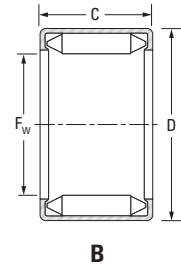


Fig. B2-19. Extraction from a shouldered or dead end housing

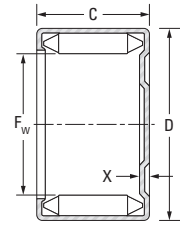


**FULL COMPLEMENT BEARINGS  
OPEN ENDS, CLOSED ONE END**

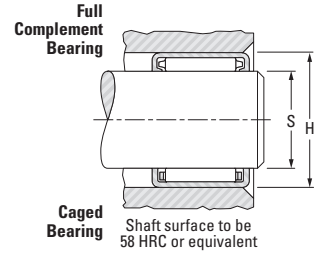
**INCH SERIES  
B, BH, M- 1, MH- 1 SERIES**



**B**



**M- 1, MH- 1**



Shaft Dia.	F <sub>w</sub>	D	C		X <sub>max</sub>	Bearing Designation		Load Ratings		Approx. Wt.		Inspection gage	Mounting inner ring (pages B-2-74 to B-2-76)
			+0 -0.3	+0.000 -0.012		Open Ends	Closed One End	Dynamic C	Static C <sub>0</sub>	Open Ends	Closed One End		
			mm in	mm in									
1/8	3.175 0.1250	6.350 0.2500	6.35 0.250	—	—	B-24	—	1.73 390	1.65 370	0.001 0.002	—	Table B2-8	
5/32	3.970 0.1563	7.142 0.2812	6.35 0.250	—	—	B-2 1/2 4	—	2.00 450	2.00 450	0.001 0.002	—	Table B2-8	
	3.970 0.1563	7.142 0.2812	7.92 0.312	—	—	B-2 1/2 5	—	2.58 580	2.80 630	0.001 0.003	—	Table B2-8	
3/16	4.763 0.1875	8.733 0.3438	6.35 0.250	1.78 0.070	—	B-34	M-341	2.22 500	2.14 480	0.001 0.003	0.002 0.004	Table B2-8	
	4.763 0.1875	8.733 0.3438	9.53 0.375	1.78 0.070	—	B-36	M-361	3.78 850	4.23 950	0.002 0.005	0.003 0.006	Table B2-8	
1/4	6.350 0.2500	11.113 0.4375	6.35 0.250	2.03 0.080	—	B-44	M-441	2.76 620	2.62 590	0.002 0.005	0.003 0.006	Table B2-8	
	6.350 0.2500	11.113 0.4375	7.92 0.312	2.03 0.080	—	B-45	M-451	3.56 800	3.69 830	0.003 0.007	0.004 0.008	Table B2-8	
	6.350 0.2500	11.113 0.4375	9.53 0.375	—	—	B-46	—	4.54 1020	5.03 1130	0.004 0.008	—	Table B2-8	
	6.350 0.2500	11.113 0.4375	11.13 0.438	2.03 0.080	—	B-47	M-471	5.52 1240	6.45 1450	0.004 0.009	0.005 0.011	Table B2-8	
5/16	7.938 0.3125	12.700 0.5000	7.92 0.312	2.03 0.080	—	B-55	M-551	4.09 920	4.58 1030	0.004 0.008	0.004 0.009	Table B2-8	
	7.938 0.3125	12.700 0.5000	9.53 0.375	—	—	B-56	—	5.25 1180	6.32 1420	0.005 0.010	—	Table B2-8	
	7.938 0.3125	12.700 0.5000	11.13 0.438	2.03 0.080	—	B-57	M-571	6.32 1420	8.10 1820	0.005 0.011	0.006 0.013	Table B2-8	
	7.938 0.3125	12.700 0.5000	14.27 0.562	—	—	B-59	—	8.36 1880	11.6 2600	0.006 0.014	—	Table B2-8	
	7.938 0.3125	14.288 0.5625	11.13 0.438	2.29 0.090	—	BH-57	MH-571	7.03 1580	7.34 1650	0.007 0.016	0.008 0.018	Table B2-8	
	7.938 0.3125	14.288 0.5625	14.27 0.562	—	—	BH-59	—	9.47 2130	10.8 2420	0.009 0.020	—	Table B2-8	
3/8	9.525 0.3750	14.288 0.5625	7.92 0.312	2.03 0.080	—	B-65	M-651	4.54 1020	5.52 1240	0.004 0.009	0.005 0.010	Table B2-8	IRA-3
	9.525 0.3750	14.288 0.5625	9.53 0.375	2.03 0.080	—	B-66	M-661	5.83 1310	7.61 1710	0.005 0.011	0.005 0.012	Table B2-8	IRA-3
	9.525 0.3750	14.288 0.5625	11.13 0.438	—	—	B-67	—	7.07 1590	9.70 2180	0.006 0.013	—	Table B2-8	IRA-3
	9.525 0.3750	14.288 0.5625	12.70 0.500	2.03 0.080	—	B-68	M-681	8.18 1840	11.8 2650	0.007 0.015	0.008 0.017	Table B2-8	IRA-3

Note) - For information on the speed ratings, contact JTEKT.  
- For the recommended mounting dimensions see Table B2-7.

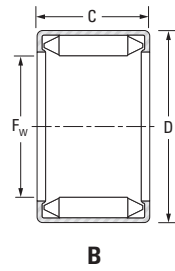
(1) IRA inner ring provides additional length if required.

Shaft Dia.	F <sub>w</sub>	D	C		X <sub>max</sub>	Bearing Designation		Load Ratings		Approx. Wt.		Inspection gage	Mounting inner ring (pages B-2-74 to B-2-76)
			+0 -0.3	+0.000 -0.012		Open Ends	Closed One End	Dynamic C	Static C <sub>0</sub>	Open Ends	Closed One End		
			mm in	mm in									
3/8	9.525 0.3750	14.288 0.5625	14.27 0.562	—	—	B-69	—	9.34 2100	13.9 3130	0.007 0.016	—	Table B2-8	
	9.525 0.3750	14.288 0.5625	15.88 0.625	2.03 0.080	—	B-610	M-6101	10.4 2340	16.0 3590	0.008 0.018	0.010 0.021	Table B2-8	
	9.525 0.3750	15.875 0.6250	12.70 0.500	—	—	BH-68	—	9.34 2100	10.9 2460	0.010 0.021	—	Table B2-8	IRA-3
7/16	11.113 0.4375	15.875 0.6250	9.53 0.375	—	—	B-76	—	6.36 1430	8.90 2000	0.005 0.012	—	Table B2-8	IRA-4
	11.113 0.4375	15.875 0.6250	11.13 0.438	—	—	B-77	—	7.70 1730	11.3 2550	0.007 0.015	—	Table B2-8	IRA-4
	11.113 0.4375	15.875 0.6250	12.70 0.500	2.03 0.080	—	B-78	M-781	8.99 2020	13.8 3100	0.008 0.017	0.009 0.019	Table B2-8	IRA-4
	11.113 0.4375	15.875 0.6250	15.88 0.625	—	—	B-710	—	11.3 2550	18.7 4200	0.010 0.021	—	Table B2-8	
	11.113 0.4375	17.463 0.6875	12.70 0.500	—	—	BH-78	—	10.3 2320	12.8 2870	0.010 0.023	—	Table B2-8	IRA-4
1/2	12.700 0.5000	17.463 0.6875	7.92 0.312	2.03 0.080	—	B-85	M-851	5.34 1200	7.38 1660	0.005 0.012	0.006 0.014	Table B2-8	IRA-5
	12.700 0.5000	17.463 0.6875	9.53 0.375	2.03 0.080	—	B-86	M-861	6.85 1540	10.1 2280	0.006 0.014	0.007 0.016	Table B2-8	IRA-5
	12.700 0.5000	17.463 0.6875	11.13 0.438	2.03 0.080	—	B-87	M-871	8.32 1870	13.0 2920	0.007 0.016	0.008 0.018	Table B2-8	IRA-5
	12.700 0.5000	17.463 0.6875	12.70 0.500	2.03 0.080	—	B-88	M-881	9.61 2160	15.7 3530	0.009 0.019	0.010 0.021	Table B2-8	IRA-5
	12.700 0.5000	17.463 0.6875	15.88 0.625	2.03 0.080	—	B-810	M-8101	12.2 2750	21.3 4800	0.010 0.023	0.012 0.026	Table B2-8	
	12.700 0.5000	17.463 0.6875	19.05 0.750	2.03 0.080	—	B-812	M-8121	14.7 3300	27.0 6060	0.013 0.028	0.014 0.031	Table B2-8	
	12.700 0.5000	19.050 0.7500	11.13 0.438	—	—	BH-87	—	9.47 2130	11.8 2650	0.010 0.023	—	Table B2-8	IRA-5
	12.700 0.5000	19.050 0.7500	12.70 0.500	—	—	BH-88	—	11.2 2510	14.6 3280	0.012 0.026	—	Table B2-8	IRA-5
	12.700 0.5000	19.050 0.7500	15.88 0.625	—	—	BH-810	—	14.4 3230	20.2 4540	0.015 0.033	—	Table B2-8	
	12.700 0.5000	19.050 0.7500	19.05 0.750	2.29 0.090	—	BH-812	MH-8121	17.4 3910	25.8 5790	0.018 0.039	0.020 0.044	Table B2-8	
9/16	14.288 0.5625	19.050 0.7500	7.92 0.312	2.03 0.080	—	B-95	M-951	5.74 1290	8.32 1870	0.006 0.013	0.006 0.014	Table B2-8	IR-68
	14.288 0.5625	19.050 0.7500	9.53 0.375	2.03 0.080	—	B-96	M-961	7.34 1650	11.4 2570	0.007 0.015	0.008 0.018	Table B2-8	IR-68
	14.288 0.5625	19.050 0.7500	11.13 0.438	2.03 0.080	—	B-97	M-971	8.85 1990	14.6 3280	0.008 0.018	0.010 0.021	Table B2-8	IR-68
	14.288 0.5625	19.050 0.7500	12.70 0.500	2.03 0.080	—	B-98	M-981	10.3 2320	17.7 3990	0.009 0.020	0.010 0.023	Table B2-8	IR-68
	14.288 0.5625	19.050 0.7500	15.88 0.625	2.03 0.080	—	B-910	M-9101	13.1 2940	24.0 5400	0.012 0.026	0.013 0.029	Table B2-8	IR-612(1)
	14.288 0.5625	19.050 0.7500	19.05 0.750	2.03 0.080	—	B-912	M-9121	15.7 3520	30.3 6820	0.014 0.031	0.015 0.034	Table B2-8	IR-612(1)
	14.288 0.5625	20.638 0.8125	12.70 0.500	—	—	BH-98	—	12.0 2690	16.5 3700	0.013 0.029	—	Table B2-8	IR-68
	14.288 0.5625	20.638 0.8125	15.88 0.625	—	—	BH-910	—	15.4 3460	22.7 5110	0.016 0.036	—	Table B2-8	IR-612(1)

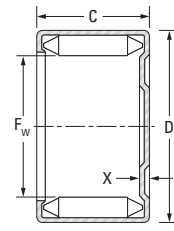


FULL COMPLEMENT BEARINGS  
OPEN ENDS, CLOSED ONE END

INCH SERIES  
B, BH, M- 1, MH- 1 SERIES



B



M- 1, MH- 1

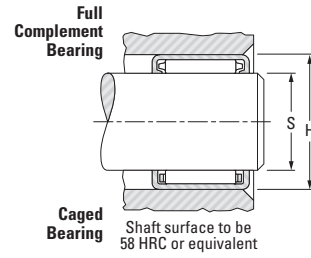


Table with columns: Shaft Dia., Fw, D, C, X max, Bearing Designation, Load Ratings (Dynamic, Static), Approx. Wt., Inspection gage, Mounting inner ring. Rows include various bearing models like BH-912, B-105, M-1051, etc.

Note) - For information on the speed ratings, contact JTEKT.  
- For the recommended mounting dimensions see Table B2-7.

(1) IRA inner ring provides additional length if required.

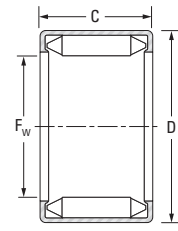
Table with columns: Shaft Dia., Fw, D, C, X max, Bearing Designation, Load Ratings (Dynamic, Static), Approx. Wt., Inspection gage, Mounting inner ring. Rows include various bearing models like B-1210, M-12101, B-1212, etc.

Continued on next page.

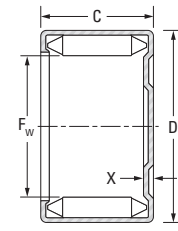


FULL COMPLEMENT BEARINGS  
OPEN ENDS, CLOSED ONE END

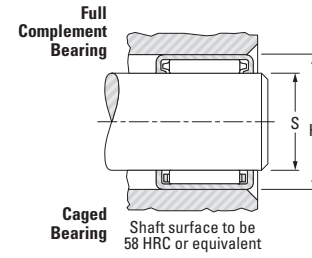
INCH SERIES  
B, BH, M- 1, MH- 1 SERIES



B



M- 1, MH- 1



Full Complement Bearing  
Caged Bearing  
Shaft surface to be 58 HRC or equivalent

Table with columns: Shaft Dia., Fw, D, C, Xmax, Bearing Designation, Load Ratings (Dynamic, Static), Approx. Wt., Inspection gage, Mounting inner ring. Rows include bearings like BH-168, BH-1610, BH-1612, BH-1614, BH-1616, BH-1620, BH-1624, B-1710, B-1712, B-186, B-188, B-1810, B-1812, B-1816, B-1818, B-1910, B-1916.

Note) - For information on the speed ratings, contact JTEKT.  
- For the recommended mounting dimensions see Table B2-7.

(1) IRA inner ring provides additional length if required.

Table with columns: Shaft Dia., Fw, D, C, Xmax, Bearing Designation, Load Ratings (Dynamic, Static), Approx. Wt., Inspection gage, Mounting inner ring. Rows include bearings like B-208, B-2010, B-2012, B-2016, B-2020, BH-208, BH-2012, BH-2016, BH-2020, B-218, B-2110, B-2120, B-228, B-2212, B-2216, B-2220, B-2228, B-2210, B-2212, B-2216, B-2220, B-248, B-2410, B-2412, B-2414, B-2416.

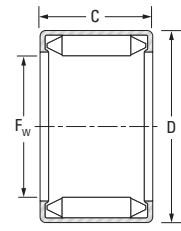
Continued on next page.



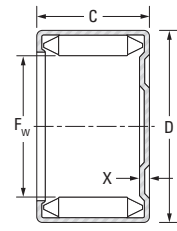
# NEEDLE ROLLER BEARINGS

## FULL COMPLEMENT BEARINGS OPEN ENDS, CLOSED ONE END

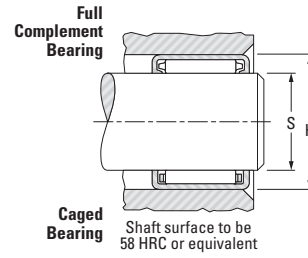
### INCH SERIES B, BH, M- 1, MH- 1 SERIES



B



M- 1, MH- 1



Shaft Dia.	F <sub>w</sub>	D	C		X <sub>max</sub>	Bearing Designation		Load Ratings		Approx. Wt.		Inspection gage	Mounting inner ring (pages B-2-74 to B-2-76)
			+0 -0.3	+0.000 -0.012		Open Ends	Closed One End	Dynamic C	Static C <sub>0</sub>	Open Ends	Closed One End		
			mm in	mm in									
1 1/2	38.100 1.5000	47.625 1.8750	31.75 1.250	3.05 0.120	B-2420	M-24201	61.8 13900	138.0 31000	0.119 0.263	0.135 0.298	Table B2-8	IR-1920	
1 5/8	41.275 1.6250	50.800 2.0000	12.70 0.500	—	B-268	—	22.8 5120	39.2 8820	0.051 0.113	—	Table B2-8	IR-2020 <sup>(1)</sup>	
	41.275 1.6250	50.800 2.0000	15.88 0.625	3.05 0.120	B-2610	M-26101	30.6 6890	57.4 12900	0.064 0.141	0.073 0.160	Table B2-8	IR-2020 <sup>(1)</sup>	
	41.275 1.6250	50.800 2.0000	25.40 1.000	—	B-2616	—	51.6 11600	112.0 25200	0.103 0.226	—	Table B2-8	IR-2020 <sup>(1)</sup>	
	41.275 1.6250	50.800 2.0000	31.75 1.250	3.05 0.120	B-2620	M-26201	64.0 14400	149.0 33400	0.128 0.282	0.145 0.320	Table B2-8	IR-2220 <sup>(1)</sup>	
1 3/4	44.450 1.7500	53.975 2.1250	19.05 0.750	3.05 0.120	B-2812	M-28121	39.3 8830	81.4 18300	0.082 0.181	0.093 0.205	Table B2-8	IR-2316	
	44.450 1.7500	53.975 2.1250	25.40 1.000	3.05 0.120	B-2816	M-28161	53.4 12000	121.0 27100	0.110 0.242	0.124 0.274	Table B2-8	IR-2316	
	44.450 1.7500	53.975 2.1250	31.75 1.250	—	B-2820	—	66.3 14900	160.0 36000	0.137 0.302	—	Table B2-8	IR-2324	
	44.450 1.7500	53.975 2.1250	38.10 1.500	3.05 0.120	B-2824	M-26241	78.7 17700	199.0 44800	0.165 0.363	0.186 0.411	Table B2-8	IR-2324	
1 7/8	47.625 1.8750	57.150 2.2500	12.70 0.500	3.05 0.120	B-308	M-3081	25.1 5650	46.3 10400	0.059 0.129	0.066 0.146	Table B2-8		
	47.625 1.8750	57.150 2.2500	15.888 0.625	—	B-3010	—	33.6 7550	67.6 15200	0.073 0.161	—	Table B2-8		
	47.625 1.8750	57.150 2.2500	19.05 0.750	—	B-3012	—	41.5 9330	88.5 19900	0.088 0.193	—	Table B2-8		
	47.625 1.8750	57.150 2.2500	25.40 1.000	3.05 0.120	B-3016	M-30161	56.0 12600	130.0 29200	0.117 0.258	0.132 0.292	Table B2-8		
2	50.800 2.0000	60.325 2.3750	12.70 0.500	3.05 0.120	B-328	M-3281	25.4 5710	48.0 10800	0.062 0.136	0.070 0.154	Table B2-8		
	50.800 2.0000	60.325 2.3750	15.88 0.625	—	B-3210	—	34.2 7680	70.7 15900	0.078 0.171	—	Table B2-8		
	50.800 2.0000	60.325 2.3750	22.23 0.875	—	B-3214	—	54.3 11300	115.0 26000	0.108 0.239	—	Table B2-8		
	50.800 2.0000	60.325 2.3750	25.40 1.000	3.05 0.120	B-3216	M-32161	57.4 12900	138.0 31000	0.124 0.273	0.140 0.309	Table B2-8		
	50.800 2.0000	60.325 2.3750	31.75 1.250	3.05 0.120	B-3220	M-32201	71.6 16100	183.0 41100	0.155 0.341	0.175 0.386	Table B2-8		
	50.800 2.0000	60.325 2.3750	38.10 1.500	3.05 0.120	B-3224	M-32241	85.0 19100	228.0 51200	0.186 0.410	0.211 0.465	Table B2-8		

Note) - For information on the speed ratings, contact JTEKT.  
- For the recommended mounting dimensions see Table B2-7.

(1) IRA inner ring provides additional length if required.

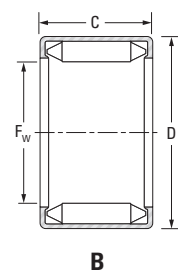
# Drawn Cup Needle Roller Bearings

Shaft Dia.	F <sub>w</sub>	D	C		X <sub>max</sub>	Bearing Designation		Load Ratings		Approx. Wt.		Inspection gage	Mounting inner ring (pages B-2-74 to B-2-76)
			+0 -0.3	+0.000 -0.012		Open Ends	Closed One End	Dynamic C	Static C <sub>0</sub>	Open Ends	Closed One End		
			mm in	mm in									
2	50.800 2.0000	60.325 2.3750	44.45 1.750	3.05 0.120	B-3228	M-32281	97.4 21900	273.0 61300	0.217 0.478	0.245 0.541	Table B2-8		
2 1/16	52.388 2.0625	64.292 2.5312	19.05 0.750	—	BH-3312	—	46.3 10400	86.7 19500	0.122 0.269	—	Table B2-8	IR-2916	
	52.388 2.0625	64.292 2.5312	25.40 1.000	3.56 0.140	BH-3316	MH-33161	64.0 14400	133.0 29900	0.162 0.358	0.184 0.406	Table B2-8	IR-2916	
	52.388 2.0625	64.292 2.5312	38.10 1.500	3.56 0.140	BH-3324	MH-33241	97.0 21800	226.0 50700	0.244 0.537	0.276 0.609	Table B2-8	IR-2924	
2 1/8	53.975 2.1250	63.500 2.5000	12.70 0.500	—	B-348	—	26.1 5870	51.2 11500	0.065 0.144	—	Table B2-8	IR-3024	
	53.975 2.1250	63.500 2.5000	19.05 0.750	—	B-3412	—	43.6 9790	99.2 22300	0.098 0.216	—	Table B2-8	IR-3024	
	53.975 2.1250	63.500 2.5000	25.40 1.000	3.05 0.120	B-3416	M-34161	59.2 13300	147.0 33000	0.131 0.289	0.148 0.327	Table B2-8	IR-3024	
	53.975 2.1250	63.500 2.5000	31.75 1.250	—	B-3420	—	73.4 16500	194.0 43700	0.164 0.361	—	Table B2-8	IR-3024	
	53.975 2.1250	63.500 2.5000	38.10 1.500	3.05 0.120	B-3424	M-34241	87.2 19600	242.0 54400	0.196 0.433	0.223 0.491	Table B2-8	IR-3024	
2 1/4	57.150 2.2500	66.675 2.6250	19.05 0.750	3.30 0.130	B-3612	M-36121	45.8 10300	105.0 23700	0.103 0.228	0.117 0.258	Table B2-8		
	57.150 2.2500	66.675 2.6250	25.40 1.000	—	B-3616	—	62.2 14000	155.6 35000	0.138 0.304	—	Table B2-8		
	57.150 2.2500	66.675 2.6250	31.75 1.250	—	B-3620	—	77.4 17400	206.0 46400	0.172 0.380	—	Table B2-8		
	57.150 2.2500	66.675 2.6250	38.10 1.500	3.30 0.130	B-3624	M-36241	92.1 20700	257.0 57700	0.207 0.456	0.235 0.517	Table B2-8		
2 5/8	66.675 2.6250	76.200 3.0000	25.40 1.000	3.30 0.130	B-4216	M-42161	66.7 15000	182.0 40900	0.159 0.351	0.181 0.398	Table B2-8		
2 3/4	69.850 2.7500	79.375 3.1250	15.88 0.625	—	B-4410	—	41.0 9210	98.0 22000	0.104 0.229	—	Table B2-8	IR-4016	
	69.850 2.7500	79.375 3.1250	19.05 0.7500	—	B-4412	—	50.7 11400	129.0 29000	0.124 0.274	—	Table B2-8	IR-4016	
	69.850 2.7500	79.375 3.1250	25.40 1.000	—	B-4416	—	69.0 15500	190.0 42800	0.166 0.366	—	Table B2-8	IR-4016	
	69.850 2.7500	79.375 3.1250	31.75 1.250	3.30 0.130	B-4420	M-44201	85.4 19200	252.0 56700	0.208 0.458	0.235 0.519	Table B2-8		
3 1/2	88.900 3.5000	101.600 4.0000	19.05 0.750	—	B-5612	—	64.9 14600	150.0 33700	0.212 0.468	—	Table B2-8		
5 1/2	139.700 5.5000	152.400 6.0000	19.05 0.750	—	B-8812	—	77.0 17300	231.0 52000	0.325 0.717	—	Table B2-8		

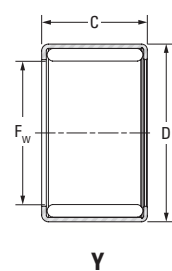


FULL COMPLEMENT BEARINGS  
OPEN ENDS, CLOSED ONE END

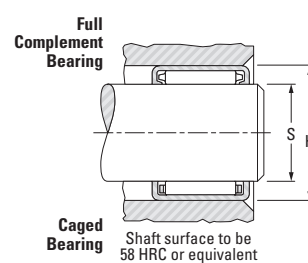
INCH SERIES  
B, Y SERIES



B



Y



Shaft Dia.	F <sub>w</sub>	D	C		X <sub>max</sub>	Bearing Designation		Load Ratings		Approx. Wt.		Inspection gage	Mounting inner ring (pages B-2-74 to B-2-76)
			+0	+0.000		Open Ends	Closed One End	Dynamic	Static	Open Ends	Closed One End		
			-0.3	-0.012									
in	mm in	mm in	mm in	mm in			kN lbf	kg lbs					
7/8	22.225	28.575	19.05	—	—	B1412	—	28.4	51.9	0.029	—	Table B2-9	—
1 1/8	28.575	34.925	19.05	—	—	Y1812MU	—	32.8	67.1	0.038	—	Table B2-9	—
1 3/16	30.163	38.1	19.05	—	—	Y1912AM	—	39.5	70.7	0.050	—	Table B2-9	—
1 3/8	34.925	41.275	12.7	—	—	B228	—	24.6	50.6	0.027	—	Table B2-9	—
2	50.800	60.325	25.4	—	—	B3216	—	71.3	160	0.121	—	Table B2-9	—

Note) · For information on the speed ratings, contact JTEKT.  
· For the recommended mounting dimensions see Table B2-7.

EXTRA-PRECISION BEARINGS

INCH SERIES

Open-end full-complement mechanically retained drawn cup needle roller bearings, manufactured to inch standards, are offered with extra-precision specifications. The manufacturing tolerance of these bearings is one-third that of the standard precision bearings. In production operations, using closer tolerances on shaft and housing, they will assemble with consistently lower radial internal clearances than can be expected with the standard precision series bearings.

Extra-precision bearings are suitable for those applications requiring close control of radial play and eccentricity. They are also preferred when two bearings are mounted adjacent to each other because greater accuracy in manufacture will provide better load distribution between the bearings.

Nominal dimensions, load ratings, speed ratings and other general specifications for extra-precision bearings are the same as for the corresponding “B” or “BH” sizes of drawn cup needle roller bearings. Consequently, the data on pages B-2-54 to B-2-61 can be used in bearing size selection.

When ordering an extra-precision bearing, add the prefix letter “G” to the bearing designation. For example, after following the size selection procedure outlined in the engineering section, bearing B-1212 is selected – but extra-precision tolerances are required. These are designated by ordering a GB-1212 bearing.

To realize the advantages of the expected closer radial internal clearance of the extra-precision bearing, the user must have the capability of producing housing bore and shaft raceway diameters to the close tolerances indicated by the bearing tables on page B-2-65.

The resulting total radial internal clearance, within the installed GB-1212 extra-precision drawn cup needle roller bearing, will lie in the range from 0.005 mm to 0.030 mm (0.0002 in to 0.0012 in)

Inspection dimensions for the extra-precision bearings are given in Table B2-10 on page B-2-64. Note that these bearings must be inspected while mounted in the specified ring gage. Bearing bores are checked with “go” and “no go” plug gages. The “go” gage size is the minimum diameter inside the needle rollers. The “no go” gage size is 0.002 mm (0.0001 in) larger than the maximum diameter inside the needle rollers.

Procedures for selecting ring and plug gage dimensions are the same as for those involving standard precision needle roller bearings – except that the ring gage diameters and diameters inside the needle rollers must be drawn from the table on page B-2-64.





Table B2-10. Inspection for extra-precision drawn cup needle roller bearings – inch series

Table with 8 columns: Nominal shaft diameter (mm/in), Ring gage (mm/in), Diameter inside needle rollers (Max./Min. mm/in). Rows include various bearing sizes from 3.175 to 22.225 mm.

Table B2-11. Mounting dimensions for extra-precision drawn cup needle roller bearings – inch series

Table with 7 columns: Bearing bore designation, Nominal bore (mm/in), Nominal O.D. (mm/in), Shaft raceway diameter (Max./Min. mm/in), Housing bore (Max./Min. mm/in). Rows include bearing types GB-2 to GBH-14.

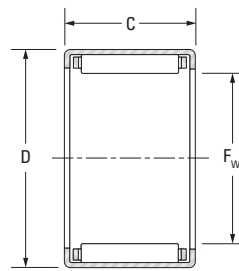
NOTE

Check for availability as not every size may be in production.

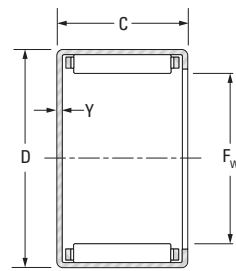


CAGED BEARINGS – OPEN ENDS, CLOSED ONE END

INCH SERIES J, JH, MJ- 1, MJH- 1 SERIES



J, JH



MJ- 1, MJH- 1

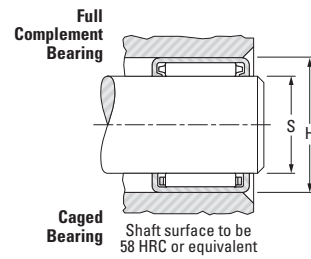


Table with columns: Shaft Dia., Fw, D, C, Ymax, Bearing Designation, Load Ratings (Dynamic, Static), Speed Rating (Grease, Oil), Approx. Wt., Inspection gage, Mounting inner ring. Rows include bearings like JP-23-F, JP-24-F, JP-2 1/2 3F, JP-33-F, JP-34-F, J-36, MJ-361, J-45, MJ-451, J-47, MJ-471, J-55, J-57, MJ-571, JH-57, MJH-571, J-65, MJ-651, J-66, MJ-661, J-68, MJ-681, JH-68, J-78, MJ-781, JH-78.

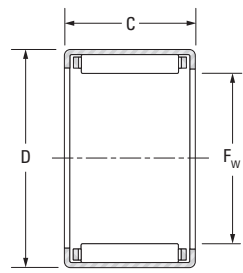
Note) For the recommended mounting dimensions see Table B2-7. (1) IRA inner ring provides additional length if required.

Table with columns: Shaft Dia., Fw, D, C, Ymax, Bearing Designation, Load Ratings (Dynamic, Static), Speed Rating (Grease, Oil), Approx. Wt., Inspection gage, Mounting inner ring. Rows include bearings like J-85, MJ-851, J-86, MJ-861, J-88, MJ-881, J-812, JH-87, MJH-871, JH-88, MJH-881, JH-812, J-97, MJ-971, J-98, MJ-981, J-910, JH-98, MJH-981, J-108, MJ-1081, J-1010, MJ-10101, J-1012, MJ-10121, JH-1010, MJH-10101, JH-1016, MJH-10161, J-1112, MJ-11121, JH-1110, MJH-11101, JH-1112, J-126, J-128, J-1210, MJ-12101, J-1212, MJ-12121, JH-1212, MJH-12121.

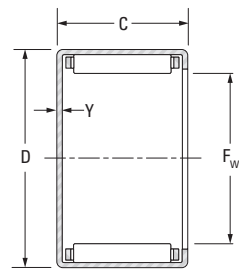
Continued on next page.

**CAGED BEARINGS –  
OPEN ENDS,  
CLOSED ONE END**

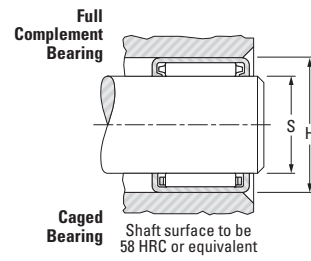
**INCH SERIES  
J, JH, MJ- 1, MJH- 1 SERIES**



**J, JH**



**MJ- 1, MJH- 1**



Shaft Dia.	F <sub>w</sub>	D	C		Y <sub>max</sub>	Bearing Designation		Load Ratings		Speed Rating		Approx. Wt.		Inspection gage	Mounting inner ring (pages B-2-74 to B-2-76)
			+0 -0.3	+0.000 -0.012		Open Ends	Closed One End	Dynamic	Static	Grease	Oil	Open Ends	Closed One End		
in	mm	mm	mm	mm	mm			kN	lbf	min <sup>-1</sup>		kg	lbs		
13/16	20.638 0.8125	26.988 1.0625	22.23 0.875	—	—	J-1314	—	19.31 4340	29.31 6590	10000	16000	0.025 0.056	—	Table B2-8	
	20.638 0.8125	28.575 1.1250	19.05 0.750	1.27 0.050	—	JH-1312	MJH-13121	18.77 4220	24.55 5520	11000	16000	0.028 0.062	0.034 0.074	Table B2-8	
7/8	22.225 0.8750	28.575 1.1250	9.53 0.375	—	—	J-146	—	7.21 1620	8.41 1890	9700	15000	0.012 0.026	—	Table B2-8	IR-1012 <sup>(1)</sup>
	22.225 0.8750	28.575 1.1250	12.70 0.500	—	—	J-148	—	10.94 2460	14.50 3260	9700	15000	0.015 0.034	—	Table B2-8	IR-1012 <sup>(1)</sup>
	22.225 0.8750	28.575 1.1250	19.05 0.750	1.02 0.040	—	J-1412	MJ-14121	17.88 4020	27.18 6110	9700	15000	0.024 0.052	0.028 0.062	Table B2-8	IR-1012 <sup>(1)</sup>
	22.225 0.8750	28.575 1.1250	25.40 1.000	1.02 0.040	—	J-1416	MJ-14161	23.66 5320	38.97 8760	9700	15000	0.031 0.069	0.059 0.129	Table B2-8	IR-1016
	22.225 0.8750	30.163 1.1875	19.05 0.750	1.27 0.050	—	JH-1412	MJH-14121	18.33 4120	24.55 5520	9800	15000	0.030 0.066	0.036 0.079	Table B2-8	IR-1012 <sup>(1)</sup>
	22.225 0.8750	30.163 1.1875	25.40 1.000	1.27 0.050	—	JH-1416	MJH-14161	25.40 5710	37.37 8400	9800	15000	0.040 0.089	0.048 0.106	Table B2-8	IR-1016
1	25.400 1.0000	31.750 1.2500	19.05 0.750	—	—	J-1612	—	18.15 4080	28.82 6480	8400	13000	0.026 0.058	—	Table B2-8	IR-1212
	25.400 1.0000	31.750 1.2500	25.40 1.000	1.02 0.040	—	J-1616	MJ-16161	24.95 5610	43.41 9760	8400	13000	0.035 0.077	0.042 0.092	Table B2-8	IR-1216 <sup>(1)</sup>
	25.400 1.0000	33.338 1.3125	19.05 0.750	1.27 0.050	—	JH-1612	MJH-16121	20.68 4650	29.58 6650	8500	13000	0.034 0.074	0.040 0.088	Table B2-8	IR-1212
	25.400 1.0000	33.338 1.3125	25.40 1.000	1.27 0.050	—	JH-1616	MJH-16161	27.58 6200	42.88 9640	8500	13000	0.045 0.099	0.054 0.119	Table B2-8	IR-1216 <sup>(1)</sup>
1 1/8	28.575 1.1250	34.925 1.3750	12.70 0.500	1.02 0.040	—	J-188	MJ-1881	11.65 2620	16.95 3810	7400	11000	0.020 0.043	0.023 0.050	Table B2-8	IR-1416 <sup>(1)</sup>
	28.575 1.1250	34.925 1.3750	19.05 0.750	1.02 0.040	—	J-1812	MJ-18121	19.04 4280	31.76 7140	7400	11000	0.029 0.064	0.035 0.076	Table B2-8	IR-1416 <sup>(1)</sup>
	28.575 1.1250	34.925 1.3750	25.40 1.000	1.02 0.040	—	J-1816	MJ-18161	26.16 5880	48.04 10800	7400	11000	0.039 0.086	0.047 0.103	Table B2-8	IR-1416 <sup>(1)</sup>
	28.575 1.1250	38.100 1.5000	19.05 0.750	1.27 0.050	—	JH-1812	MJH-18121	23.35 5250	31.32 7040	7600	12000	0.046 0.101	0.055 0.121	Table B2-8	IR-1416 <sup>(1)</sup>
	28.575 1.1250	38.100 1.5000	25.40 1.000	1.27 0.050	—	JH-1816	MJH-18161	33.14 7450	49.38 11100	7600	12000	0.061 0.135	0.074 0.162	Table B2-8	IR-1416 <sup>(1)</sup>

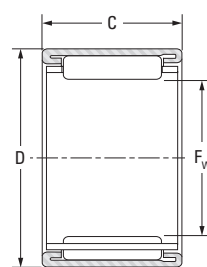
Note) For the recommended mounting dimensions see Table B2-7.  
(1) IRA inner ring provides additional length if required.

Shaft Dia.	F <sub>w</sub>	D	C		Y <sub>max</sub>	Bearing Designation		Load Ratings		Speed Rating		Approx. Wt.		Inspection gage	Mounting inner ring (pages B-2-74 to B-2-76)
			+0 -0.3	+0.000 -0.012		Open Ends	Closed One End	Dynamic	Static	Grease	Oil	Open Ends	Closed One End		
in	mm	mm	mm	mm	mm			kN	lbf	min <sup>-1</sup>		kg	lbs		
1 1/8	28.575 1.1250	38.100 1.5000	28.58 1.125	1.27 0.050	—	JH-1818	MJH-18181	36.30 8160	55.16 12400	7600	12000	0.069 0.152	0.082 0.181	Table B2-8	
1 1/4	31.750 1.2500	38.100 1.5000	19.05 0.750	1.02 0.040	—	J-2012	MJ-20121	19.84 4460	34.70 7800	6600	10000	0.036 0.080	0.043 0.095	Table B2-8	IR-1612
	31.750 1.2500	38.100 1.5000	25.40 1.000	1.02 0.040	—	J-2016	MJ-20161	28.82 6480	56.49 12700	6600	10000	0.043 0.094	0.051 0.113	Table B2-8	IR-1616 <sup>(1)</sup>
	31.750 1.2500	41.275 1.6250	19.05 0.750	—	—	JH-2012	—	24.11 5420	33.94 7630	6800	10000	0.050 0.111	—	Table B2-8	IR-1612
	31.750 1.2500	41.275 1.6250	25.40 1.000	—	—	JH-2016	—	33.94 7630	52.93 11900	6800	10000	0.067 0.148	—	Table B2-8	IR-1616 <sup>(1)</sup>
	31.750 1.2500	41.275 1.6250	31.75 1.250	—	—	JH-2020	—	43.37 9750	72.51 16300	6800	10000	0.084 0.185	—	Table B2-8	
1 3/8	34.925 1.3750	41.275 1.6250	12.70 0.500	1.02 0.040	—	J-228	MJ-2281	13.97 3140	22.91 5150	6000	9200	0.024 0.052	0.028 0.062	Table B2-8	IR-1812
	34.925 1.3750	41.275 1.6250	19.05 0.750	—	—	J-2212	—	22.82 5130	42.97 9660	6000	9200	0.035 0.077	—	Table B2-8	IR-1812
	34.925 1.3750	44.450 1.7500	19.05 0.750	1.27 0.050	—	JH-2212	MJH-22121	26.24 5900	38.43 8640	6100	9400	0.055 0.121	0.065 0.144	Table B2-8	IR-1812
	34.925 1.3750	44.450 1.7500	25.40 1.000	1.27 0.050	—	JH-2216	MJH-22161	36.52 8210	58.72 13200	6100	9400	0.073 0.161	0.087 0.192	Table B2-8	IR-1816
1 1/2	38.100 1.5000	47.625 1.8750	19.05 0.750	1.27 0.050	—	J-2412	MJ-24121	29.89 6720	47.15 10600	5600	8600	0.059 0.131	0.094 0.208	Table B2-8	IR-1916
	38.100 1.5000	47.625 1.8750	25.40 1.000	1.27 0.050	—	J-2416	MJ-24161	39.32 8840	66.72 15000	5600	8600	0.079 0.174	0.094 0.208	Table B2-8	IR-1916
	38.100 1.5000	47.625 1.8750	31.75 1.250	—	—	J-2420	—	49.38 11100	89.85 20200	5600	8600	0.099 0.218	—	Table B2-8	IR-1920
1 5/8	41.275 1.6250	50.800 2.0000	15.88 0.625	—	—	J-2610	—	26.11 5870	40.97 9210	5100	7900	0.053 0.117	—	Table B2-8	IR-2020 <sup>(1)</sup>
	41.275 1.6250	50.800 2.0000	25.40 1.000	1.27 0.050	—	J-2616	M-26161	39.28 8830	68.95 15500	5100	7900	0.085 0.187	0.101 0.223	Table B2-8	IR-2020 <sup>(1)</sup>
1 3/4	44.450 1.7500	53.975 2.1250	19.05 0.750	1.27 0.050	—	J-2812	MJ-28121	29.58 6650	49.38 11100	4700	7300	0.068 0.150	0.081 0.179	Table B2-8	IR-2316
	44.450 1.7500	53.975 2.1250	25.40 1.000	1.27 0.050	—	J-2816	MJ-28161	40.08 9010	72.95 16400	4700	7300	0.091 0.200	0.108 0.239	Table B2-8	IR-2316
	44.450 1.7500	53.975 2.1250	38.10 1.500	1.27 0.050	—	J-2824	MJ-28241	59.61 13400	121.88 27400	4700	7300	0.136 0.300	0.162 0.358	Table B2-8	IR-2324
1 7/8	47.625 1.8750	57.150 2.2500	25.40 1.000	1.27 0.050	—	J-3016	MJ-30161	41.10 9240	76.06 17100	4400	6800	0.097 0.213	0.115 0.254	Table B2-8	
2	50.800 2.0000	60.325 2.3750	25.40 1.000	1.27 0.050	—	J-3216	MJ-32161	42.39 9530	81.40 18300	4100	6300	0.103 0.226	0.137 0.301	Table B2-8	
2 1/4	57.150 2.2500	66.675 2.6250	19.05 0.750	—	—	J-3612	—	35.41 7960	65.83 14800	3600	5600	0.086 0.189	—	Table B2-8	
	57.150 2.2500	66.675 2.6250	25.40 1.000	—	—	J-3616	—	46.26 10400	92.52 20800	3600	5600	0.114 0.252	—	Table B2-8	
2 3/4	69.850 2.7500	79.375 3.1250	19.05 0.750	—	—	J-4412	—	36.25 8150	72.95 16400	2900	4500	0.103 0.227	—	Table B2-8	IR-4016

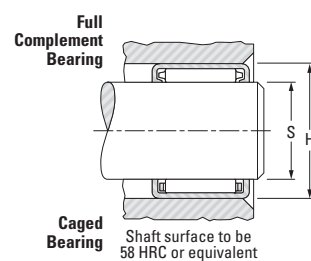


CAGED BEARINGS –  
OPEN ENDS,  
CLOSED ONE END

INCH SERIES  
BT SERIES



BT



NOTES

Shaft Dia.	F <sub>w</sub>	D	C		Y <sub>max</sub>	Bearing Designation		Load Ratings		Speed Rating		Approx. Wt.		Inspection gage	Mounting inner ring (pages B-2-74 to B-2-76)
			+0 -0.3	+0.000 -0.012		Open Ends	Closed One End	Dynamic C	Static C <sub>0</sub>	Grease	Oil	Open Ends	Closed One End		
in	mm in	mm in	mm in	mm in				kN lbf		min <sup>-1</sup>		kg lbs			
1 <sup>1</sup> / <sub>16</sub>	17.463	22.23	19.05	—	—	BT1112-1	—	12.7	21.2	12000	19000	0.024		Table B2-9	—
7 <sup>7</sup> / <sub>8</sub>	22.225	28.575	9.525	—	—	BT146P	—	7.05	8.55	9800	15000	0.012		Table B2-9	—
1	25.40	31.75	9.525	—	—	BT166	—	7.45	9.5	8500	13000	0.014		Table B2-9	—
1 1 <sup>1</sup> / <sub>8</sub>	28.575	34.925	12.7	—	—	BT188	—	13.1	20.3	7200	11000	0.021		Table B2-9	—
1 3 <sup>3</sup> / <sub>16</sub>	30.162	38.1	25.4	—	—	BT1916M	—	31.5	51.9	7200	11000	0.054		Table B2-9	—
1 1 <sup>1</sup> / <sub>4</sub>	31.75	38.1	19.05	—	—	BT2012	—	21.2	38.7	6500	10000	0.035		Table B2-9	—
1 5 <sup>5</sup> / <sub>8</sub>	41.275	50.8	22.225	—	—	BT2614	—	34.1	56.9	5100	7900	0.082		Table B2-9	—
1 7 <sup>7</sup> / <sub>8</sub>	47.625	57.15	15.875	—	—	BT3010-1	—	25.2	40.1	4400	6800	0.064		Table B2-9	—

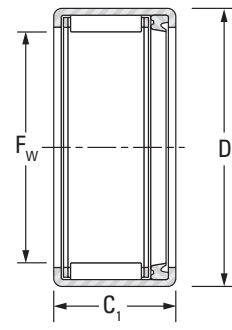
Note) For the recommended mounting dimensions see Table B2-7.



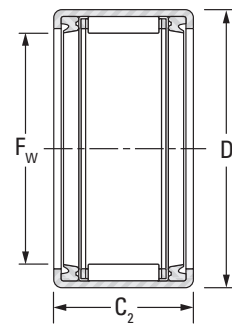
SEALED DRAWN CUP BEARINGS

INCH SERIES

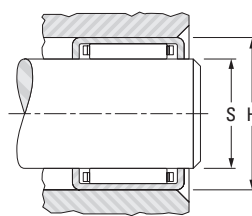
- Check for availability. Not all bearings are in production.
Pre-packed with general purpose ball and roller bearing grease unless otherwise specified.
Bearing operating temperature limited between -30° C and +110° C (-25° F and +225° F).
Consult your representative for operating temperatures outside the above range or if seals have been exposed to unusual fluids.
Speed rating based on shaft contact speed of 610 m/min. (2000 fpm).
Reduce the listed speed rating by one-half for outer ring rotation.



JT - One Seal



JTT - Two Seals



Shaft surface to be 58 HRC or equivalent

Drawn cup bearings of nominal inch dimensions, with one closed end, that are not tabulated, may be made available upon request.

Mounting dimensions are based on the inner ring rotating and the outer ring being stationary, relative to the load. The housing should be of high strength material.

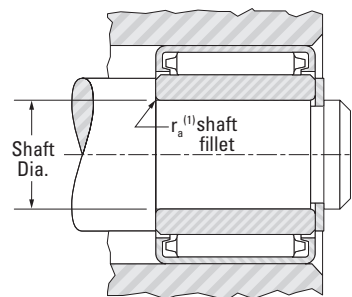
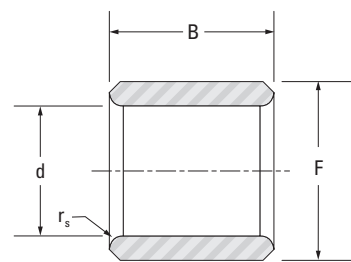
Table with columns for Shaft Dia., Fw, D, Bearings With One Seal (C1, Bearing Designation, Approx. Wt.), Bearings With Two Seals (C2, Bearing Designation, Approx. Wt.), and Shaft Dia. Rows include bearings like JT-56, JTT-57, JT-66, JTT-67, etc.

Table with columns for Load Ratings (Dynamic, Static), Approx. Speed Rating (Grease), C0, Mounting Dimension (S, H), Inspection (Ring Gage, Plug Gage), and Shaft Dia. Rows include bearings like JT-56, JTT-57, JT-66, JTT-67, etc.



INNER RINGS FOR INCH SERIES DRAWN CUP BEARINGS

- Check for availability.
Ideal choice when shaft is not practical to use as inner raceway.
Provided in inch (IR, IRA) nominal dimensions for use with inch series drawn cup bearings.
Designed to meet established inch tolerances.
Designed to be wider than matching drawn cup bearing.
Maximum shaft fillet radius (ra max) cannot exceed inner ring bore chamfer (rs min) as shown.
Optional centralized lubrication groove (bore) and thru-hole available - specify when ordering.
Designed to provide a loose transition fit on the shaft and should be axially clamped against a shoulder.



- If a tight transition fit must be used to keep the inner ring from rotating relative to the shaft, the inner ring O.D. must not exceed the raceway diameter for the matching drawn cup bearing after being mounted on the shaft.
See tables for bearing raceway diameter dimensions.
After mounting, if O.D. of inner ring exceeds required raceway diameter for matching bearing, ring should be ground to proper diameter while mounted on shaft.

Table with columns: Shaft Dia., d (Max., Min.), F (Max., Min.), B (Max., Min.), rs min., Inner Ring Designation, Mounting Dimensions Transition Fit (Loose, Tight), and Approx. Wt. (kg, lbs). Rows include various inch sizes from 3/16 to 1/2.

Bore and O.D. tolerance limits correspond to the single mean diameter (the arithmetical mean of the largest and smallest diameters in a single radial plane).

(1) ra max is equal to minimum inner ring bore chamfer (rs min).

Table with columns: Shaft Dia., d (Max., Min.), F (Max., Min.), B (Max., Min.), rs min., Inner Ring Designation, Mounting Dimensions Transition Fit (Loose, Tight), and Approx. Wt. (kg, lbs). Rows include various inch sizes from 1/2 to 1 3/16.

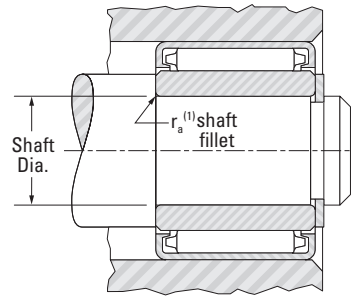
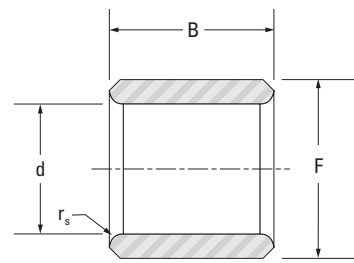
Bore and O.D. tolerance limits correspond to the single mean diameter (the arithmetical mean of the largest and smallest diameters in a single radial plane).

Continued on next page.



**INNER RINGS FOR INCH SERIES  
DRAWN CUP BEARINGS**

- Check for availability.
- Ideal choice when shaft is not practical to use as inner raceway.
- Provided in inch (IR, IRA) nominal dimensions for use with inch series drawn cup bearings.
- Designed to meet established inch tolerances.
- Designed to be wider than matching drawn cup bearing.
- Maximum shaft fillet radius ( $r_{a \max}$ ) cannot exceed inner ring bore chamfer ( $r_{s \min}$ ) as shown.
- Optional centralized lubrication groove (bore) and thru-hole available – specify when ordering.
- Designed to provide a loose transition fit on the shaft and should be axially clamped against a shoulder.
- If a tight transition fit must be used to keep the inner ring from rotating relative to the shaft, the inner ring O.D. must not exceed the raceway diameter for the matching drawn cup bearing after being mounted on the shaft.
- See tables for bearing raceway diameter dimensions.
- After mounting, if O.D. of inner ring exceeds required raceway diameter for matching bearing, ring should be ground to proper diameter while mounted on shaft.



Shaft Dia.	d		F		B		$r_{s \min}$	Inner Ring Designation	Mounting Dimensions Transition Fit				Approx. Wt.
	Max.	Min.	Max.	Min.	Max.	Min.			Loose		Tight		
									Max.	Min.	Max.	Min.	
in	mm in	mm in	mm in	mm in	mm in	mm in	mm in	mm in	mm in	mm in	mm in	mm in	kg lbs
1 1/4	31.750 1.2500	31.737 1.2495	38.100 1.5000	38.087 1.4995	32.66 1.286	32.41 1.276	1.52 0.060	IRA-20	31.742 1.2497	31.730 1.2492	31.753 1.2501	31.740 1.2496	0.086 0.190
1 3/8	34.925 1.3750	34.912 1.3745	41.275 1.6250	41.262 1.6245	32.13 1.265	31.88 1.255	1.52 0.060	IR-2220	34.917 1.3747	34.905 1.3742	34.928 1.3751	34.915 1.3746	0.094 0.208
1 7/16	36.513 1.4375	36.500 1.4370	44.450 1.7500	44.437 1.7495	25.78 1.015	25.53 1.005	1.52 0.060	IR-2316	36.505 1.4372	36.492 1.4367	36.515 1.4376	36.502 1.4371	0.100 0.220
	36.513 1.4375	36.500 1.4370	44.450 1.7500	44.437 1.7495	38.48 1.515	38.23 1.505	1.52 0.060	IR-2324	36.505 1.4372	36.492 1.4367	36.515 1.4376	36.502 1.4371	0.150 0.331
1 1/2	38.100 1.5000	38.087 1.4995	44.450 1.7500	44.437 1.7495	25.78 1.015	25.53 1.005	1.52 0.060	IR-2416	38.092 1.4997	38.080 1.4992	38.103 1.5001	38.090 1.4996	0.078 0.173
	38.100 1.5000	38.087 1.4995	44.450 1.7500	44.437 1.7495	38.48 1.515	38.23 1.505	1.52 0.060	IR-2424	38.092 1.4997	38.080 1.4992	38.103 1.5001	38.090 1.4996	0.122 0.270
1 11/16	42.863 1.6875	42.850 1.6870	52.388 2.0625	52.375 2.0620	38.48 1.515	38.23 1.505	1.52 0.060	IR-2724	42.855 1.6872	42.842 1.6867	42.865 1.6876	42.852 1.6871	0.212 0.468
1 3/4	44.450 1.7500	44.437 1.7495	52.388 2.0625	52.375 2.0620	38.48 1.515	38.23 1.505	1.52 0.060	IR-2824	44.442 1.7497	44.430 1.7492	44.453 1.7501	44.440 1.7496	0.180 0.396
1 13/16	46.038 1.8125	46.025 1.8120	52.388 2.0625	52.375 2.0620	25.78 1.015	25.53 1.005	1.52 0.060	IR-2916	46.030 1.8122	46.017 1.8117	46.040 1.8126	46.027 1.8121	0.097 0.214
	46.038 1.8125	46.025 1.8120	52.388 2.0625	52.375 2.0620	38.48 1.515	38.23 1.505	1.52 0.060	IR-2924	46.030 1.8122	46.017 1.8117	46.040 1.8126	46.027 1.8121	0.146 0.322
1 7/8	47.625 1.8750	47.612 1.8745	53.975 2.1250	53.962 2.1245	38.48 1.515	38.23 1.505	1.52 0.060	IR-3024	47.617 1.8747	47.605 1.8742	47.628 1.8751	47.615 1.8746	0.145 0.319
2 1/2	63.500 2.5000	63.487 2.4995	69.850 2.7500	69.837 2.7495	25.78 1.015	25.53 1.005	1.52 0.060	IR-4016	63.495 2.4998	63.477 2.4991	63.505 2.5002	63.487 2.4995	0.132 0.290

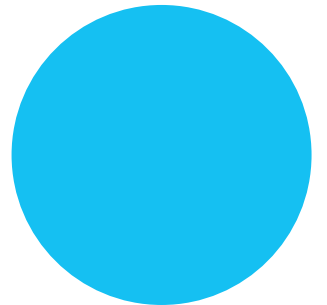
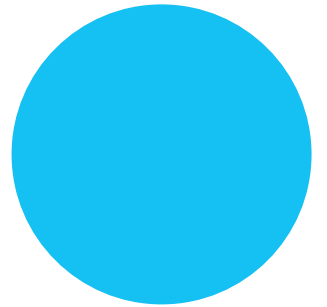
Bore and O.D. tolerance limits correspond to the single mean diameter (the arithmetical mean of the largest and smallest diameters in a single radial plane).

<sup>(1)</sup>  $r_{a \max}$  is equal to minimum inner ring bore chamfer ( $r_{s \min}$ ).

**DRAWN CUP ROLLER CLUTCHES**

**Overview:** Drawn cup needle roller clutches are similar to drawn cup needle roller bearings in design; however, they allow free rotation in only one direction while transmitting torque in the opposite direction. These designs use the same small radial section as drawn cup needle roller bearings and are offered as clutch-only units or as clutch and bearing assemblies.

- **Catalogue range:** 3.2 mm – 35 mm (0.1250 in – 1.3780 in) bore.
- **Markets:** Office equipment, paper-towel dispensers, exercise equipment, appliances and two-speed gearboxes.
- **Features:** Compact, lightweight and operate directly on a hardened shaft.
- **Benefits:** Installation is easily accomplished with a simple press fit.





**Drawn Cup Roller Clutches  
Metric Series**

- FCS, FC-K** regular clutch, single roller per stainless steel spring
- FC** regular clutch, multi-roller per stainless steel spring
- FCL-K** light series clutch, single roller per stainless steel spring
- FCB** regular clutch and bearing assembly, multi-roller per stainless steel spring
- FCBL-K, FCBN-K** light series clutch and bearing assembly, single roller per stainless steel spring

**FCL - 10 - K**

Bore, in millimeters

**Inch Series**

- RC** regular clutch, single roller per integral spring
- RC-FS** regular clutch, single roller per stainless steel spring
- RCB** regular clutch and bearing assembly, single roller per integral spring
- RCB-FS** regular clutch and bearing assembly, single roller per stainless steel spring

**RC - 10 14 10 - FS**

Outer Diameter  
14 = 1 4/16 = 7/8 in

Bore  
10 = 10/16 = 5/8 in

Width  
10 = 10/16 = 5/8 in

**Drawn Cup  
Roller Clutches**

	<i>Page</i>
Introduction .....	B-3-4
Drawn Cup Roller Clutches – Metric Series .....	B-3-10
Drawn Cup Roller Clutches and Bearing Assemblies – Metric Series .....	B-3-12
Drawn Cup Roller Clutches – Inch Series .....	B-3-14
Drawn Cup Roller Clutch and Bearing Assemblies – Inch Series .....	B-3-16
Drawn Cup Roller Clutches for Use in Plastic Housings .....	B-3-18





DRAWN CUP ROLLER CLUTCHES

METRIC AND INCH SERIES

Drawn cup roller clutch transmits torque between shaft and housing in one direction and allows free overrun in the opposite direction. When transmitting torque, either the shaft or the housing can be the input member. Applications are generally described as indexing, backstopping or overrunning.

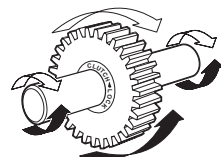


Fig. B3-1. Lock function: shaft drives gear clockwise (white arrows) or gear can drive shaft counterclockwise (black arrows)

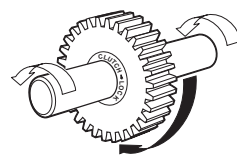


Fig. B3-2. Overrun function: shaft overruns in gear counterclockwise (white arrows) or gear overruns on shaft clockwise (black arrow)

IDENTIFICATION

The prefix letters in the designation of the drawn cup roller clutches and drawn cup roller clutch and bearing assemblies denote whether these are manufactured to metric or inch nominal dimensions. Designation codes for clutches and clutch and bearing assemblies with metric nominal dimensions begin with the letter "F." Designation codes for clutches and clutch and bearing assemblies with inch nominal dimensions begin with the letter "R."

The basic types of clutches and clutch and bearing assemblies are listed below:

METRIC SERIES TYPES

- FCS, FC-K Regular clutch, single roller per stainless steel spring.
FC Regular clutch, multi-roller per stainless steel spring.
FCB Regular clutch and bearing assembly, multi-roller per stainless steel spring.
FCL-K Light series clutch, single roller per stainless steel spring.
FCBL-K, FCBN-K Light series clutch and bearing assembly. Single roller per stainless steel spring.

INCH SERIES TYPES

- RC Regular clutch, single roller per integral spring.
RC-FS Regular clutch, single roller per stainless steel spring.
RCB Regular clutch and bearing assembly, single roller per integral spring.
RCB-FS Regular clutch and bearing assembly, single roller per stainless steel spring.

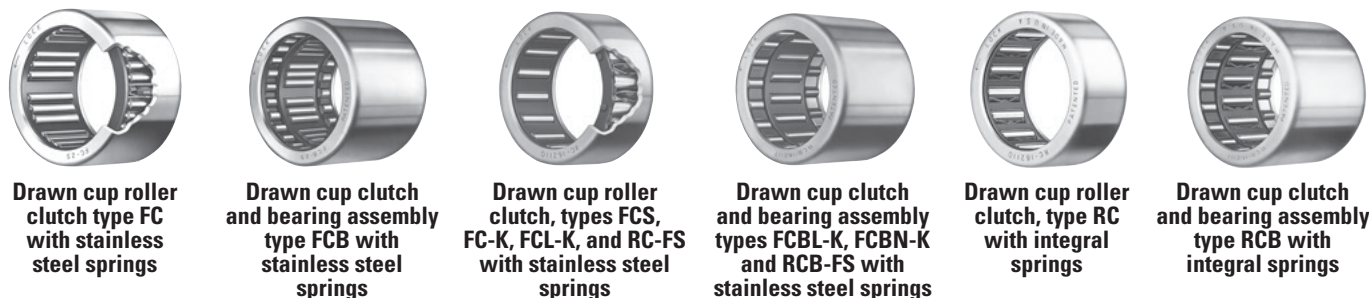


Fig. B3-3. Types of clutches and clutch and bearing assemblies

CONSTRUCTION

In many respects, construction is similar to that of drawn cup bearings. Design and manufacture of drawn cup clutches – just as with drawn cup bearings – was pioneered and developed by The Torrington Company. The well-established design utilizes the same low-profile radial section as drawn cup bearings. The precisely formed interior ramps provide surfaces against which the needle rollers wedge. These positively lock the clutch with the shaft when rotated in the proper direction. These ramps, formed during the operation of drawing the cup, are case hardened for wear resistance. The incorporation of ramp forming into the cup drawing operation is a manufacturing innovation that contributes to the low cost of the unit.

Two designs of precision molded clutch cages are employed. Clutch and clutch and bearing assembly types – FC, FC-K, FCS, FCL-K, RC-FS, FCB, FCBN-K, FCBL-K and RCB-FS – use a glass fiber, reinforced nylon cage, equipped with inserted stainless steel leaf springs. The stainless steel springs permit higher rates of clutch engagement and achieve greater spring life. The nylon cage permits operation at higher temperatures. Clutch types RC and RCB utilize a one-piece cage of acetyl resin polymer with integral leaf style springs. They are used for lower temperatures than permitted for the units with nylon cages.

OPERATION

Operation is in two modes: the overrun mode and the lock mode. Operational mode is controlled by the direction of the clutch or shaft rotation with respect to the locking ramps.

In the overrun mode, shown in the drawings below, the relative rotation between the housed clutch and the shaft causes the rollers to move away from their locking position against the locking ramps in the drawn cup. The housing and the clutch are then free to overrun in one direction, or the shaft is free to overrun in the other direction.

Types FCB, FCBL-K, FCBN-K, RCB and RCB-FS clutch and bearing assemblies have cages, for retention and guidance of the needle rollers in the bearings, located on both sides of the clutch unit.

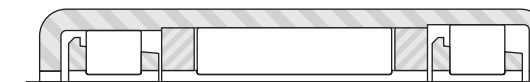
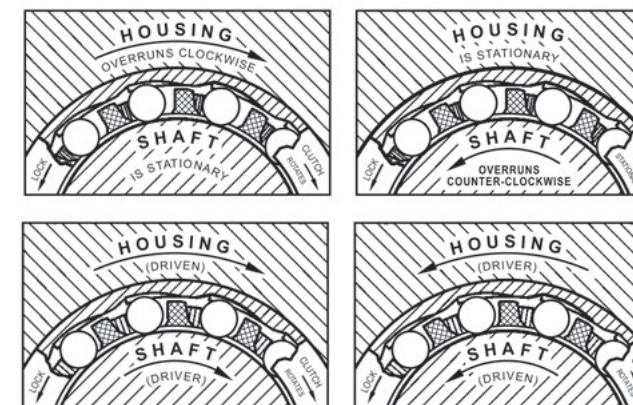


Fig. B3-4. Clutch and bearing assembly

Types FC, FC-K, FCS, FCL-K, RC and RC-FS are of clutch-only configurations for use with external radial support (usually two drawn cup needle roller bearings). Separate bearings position the shaft and housing concentrically and carry the radial load during overrun.



Fig. B3-5. Clutch only



Clearance between the rollers and cup ramps is exaggerated in these drawings.

Fig. B3-6. Overrun mode and lock mode



APPLICATION

Clutches and clutch and bearing assemblies are successfully applied in a wide range of commercial products where indexing, backstopping and overrunning operations must be performed reliably. The sketches on these pages illustrate some of the many possible uses.

When applying the clutch-only unit, separate bearings on each side of the clutch are required to position the shaft concentrically with the housing, and to carry the radial loads during overrun. Drawn cup needle roller bearings, with the same radial section as the clutch, should be used in the through-bored housings for simplicity and economy. Two clutches can be used side by side for greater torque capacity.

Where the radial loads are light, the clutch and bearing assembly can be used without additional support bearings. This reduces the overall assembly width, the number of stocked and ordered parts and assembly costs, as well.



Fig. B3-7. Clutch and bearing arrangement for heavy loads

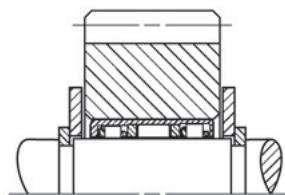


Fig. B3-8. Clutch and bearing assembly for light loads

Drawn cup roller clutches are manufactured to commercial hardware standards and are used extensively in appliances, business machines, industrial and recreation equipment and a wide range of other applications.

In any application where our clutch may be considered, it will be part of a system in which the operating conditions and the clutch mounting will affect its function. Before any clutch selection is made, it is important that the following catalog section be carefully studied to understand the effects of these factors. Consideration should be given to operating conditions such as:

- Magnitude of externally applied torque, as well as inertial torque.
- Magnitude of applied radial loads during overrunning.
- Potential for vibration or axial shaft movement within the clutch during engagement.
- Engagement rate, as it pertains to the selection of stainless steel or plastic leaf springs.
- Oil lubricant supply during high overrunning speeds.
- External and internal environmental temperatures that can affect clutch performance.
- Lubricant selection effect on clutch engagement.
- Indexing inaccuracies resulting from backlash (lost motion).

Consideration should be given to the shaft and housing design requirements such as:

- Shaft hardness and strength particularly when approaching torque rating limits.
- Shaft roundness, taper and surface finish necessary to ensure sufficient fatigue life and torque-carrying ability.
- Housing strength (hardness and cross section) to support the applied torque loads.
- Housing roundness, taper and surface finish necessary to ensure uniform torque and load distribution.

A test program under all expected operating conditions should be carried out before putting a new application into production. Customer engineers are constantly working with and testing new applications, and their experience can be of great help to the designer considering the use of a drawn cup roller clutch.



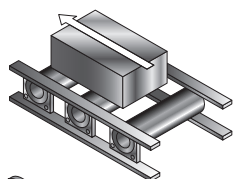
Stair steppers and other athletic equipment



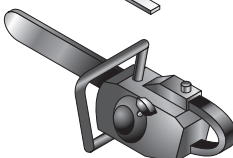
Lawnmower differential



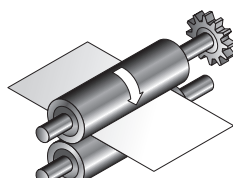
Towel dispensers and similar web roll feed mechanisms



Conveyor rollers

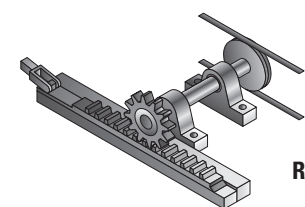


Chainsaw starters

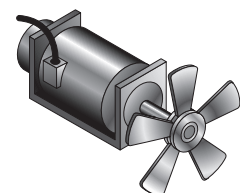


Paper feed rolls in business machines

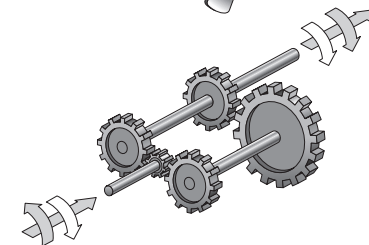
Fig. B3-9(1). Drawn cup clutches and clutch and bearing assembly applications



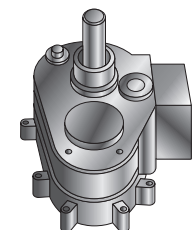
Rack indexing drive



Motor backstops



Two-speed gearbox with reversing input



Washing machine transmission

Fig. B3-9(2). Drawn cup clutches and clutch and bearing assembly applications

HOUSING DESIGN

Drawn cup clutches and clutch and bearing assemblies are mounted with a simple press fit in their housings. Through-bored and chamfered housings are preferred. A 30 degree angle is suggested and care should be taken to round the edge where the chamfer meets the housing bore. A sharp edge at this location can greatly increase installation forces. Provisions for axial location, such as shoulders or snap rings, are not required. The case hardened cups must be properly supported. Steel housings are preferred and must be used for applications involving high-torque loads to prevent radial expansion of the clutch cups. The suggested minimum housing outer diameters in the tables of dimensions are for steel.

The housing bore should be round within one-half of the diameter tolerance.

The taper within the length of the outer ring should not exceed 0.013 mm (0.0005 in).

The surface finish of the housing bore should not exceed 1.6 μm Ra (63 μin Ra).

The torque ratings, given in the clutch tables, are based on a steel housing of a large section. When other housing material must be used (such as aluminum, powdered metal and plastics), the torque rating of the clutch will be reduced. Such housings may be satisfactory for lightly torqued applications. But, your representative should be consulted for appropriate housing and shaft suggestions. Otherwise, an insufficient press fit and use of a lower strength housing material can result in more internal clearance and reduced performance of the clutch.

When using non-steel housings, thorough testing of the design is suggested.

Adhesive compounds can be used to prevent creeping rotation of the clutch in plastic housings with low friction properties. Adhesives will not provide proper support in oversized metal housings. When using adhesives, care must be taken to keep the adhesive out of the clutches and bearings.

SHAFT DESIGN

The clutch or clutch and bearing assembly operates directly on the shaft whose specifications of dimension, hardness and surface finish are well within standard manufacturing limits.

Either case-hardening or through-hardening grades of good bearing-quality steel are satisfactory for raceways. Steels modified for free machining, such as those high in sulfur content and particularly those containing lead, are seldom satisfactory for raceways.

For long fatigue life, the shaft raceway must have a hardness equivalent to 58 HRC minimum and must be ground to the suggested diameter shown in the tables of dimensions. It may be through-hardened, or it may be case hardened with an effective case depth of 0.40 mm (0.015 in). Effective case depth is defined as the distance from the surface inward to the equivalent of 50 HRC hardness level after grinding.

Taper within the length of the raceway should not exceed 0.008 mm (0.0003 in), or one-half the diameter tolerance – whichever is smaller. The radial deviation from true circular form of the raceway should not exceed 0.0025 mm (0.0001 in) for diameters up to and including 25 mm (1.0 in). For raceways greater than 25 mm (1.0 in), the allowable radial deviation should not exceed 0.0025 mm (0.0001 in) multiplied by a factor of the raceway diameter divided by 25 (1.0 in). Surface finish on the raceway should not exceed 0.4 μm (16 μin) Ra. Deviations will reduce the load capacity and fatigue life of the shaft.



### INSTALLATION

Simplicity of installation promotes additional cost savings. The drawn cup roller clutch or the clutch and bearing assembly must be pressed into its housing. Procedures are virtually identical with those for installing drawn cup bearings, as detailed on pages B-2-11 and B-2-52. The unit is pressed into the bore of a gear or pulley hub or housing of the proper size. No shoulders, splines, keys, screws or snap rings are required.

Installation procedures are summarized in the following sketches:

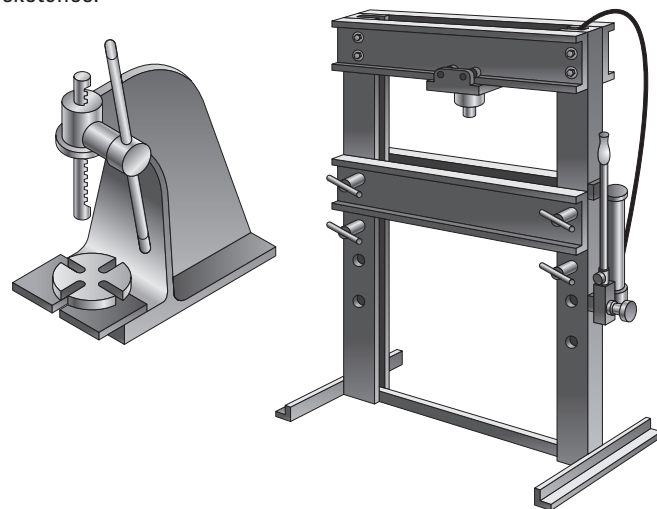


Fig. B3-10. Arbor press and hydraulic ram press

Use an arbor press or hydraulic ram press to exert steady pressure. Never use a hammer, or other tool requiring pounding to drive the clutch into its housing.

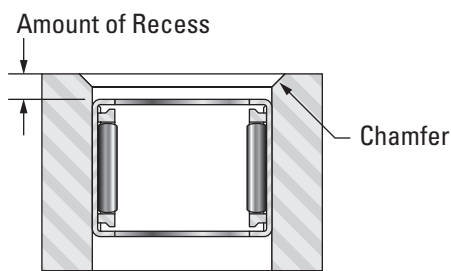


Fig. B3-11. Chamfered housing bore

Make sure that the housing bore is chamfered to permit easy introduction of the clutch and bearing or the clutch unit. Press unit slightly beyond the chamfer in the housing bore to assure full seating. Through-bored housings are always preferred. If the housing has a shoulder, never seat the clutch against the shoulder. For further details, see pages B-2-11 and B-2-52.



Fig. B3-12. Lock marking

**IMPORTANT:** The mounted clutch or clutch and bearing assembly engages when the housing is rotated relative to the shaft in the direction of the arrow and lock marking (← LOCK) stamped on the cup. Make sure that the unit is oriented properly before pressing it into its housing.

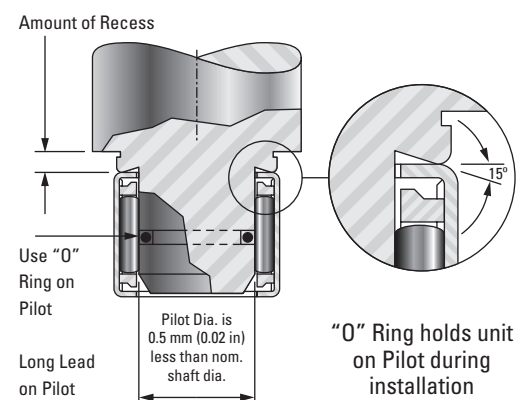


Fig. B3-13. Installation tool

Use an installation tool as shown in Fig. B3-13. If the clutch is straddled by needle roller bearings, press units into position – in proper sequence – and preferably leave a small clearance between units.

When assembling the shaft, it should be rotated in the overrun direction during insertion. The end of the shaft should have a large chamfer or rounding.

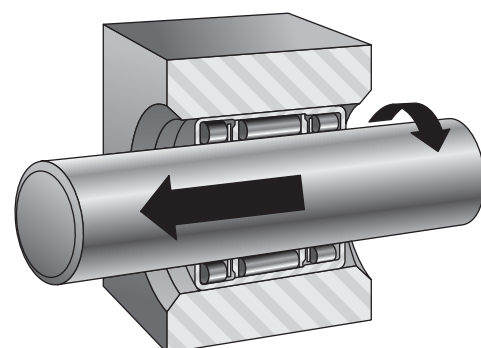


Fig. B3-14. Rotate shaft in the overrun direction during insertion

### APPLIED LOADS

The clutch-only unit is designed to transmit purely torque loads. Applied torque should not exceed the catalog ratings, which are based on the compressive strength of well-aligned clutch components. Bearings on either side of the clutch are to assure concentricity between the shaft and the housing to support radial loads during clutch overrun. Integral clutch and bearing assemblies are available for this purpose, especially where the radial loads are light. The total maximum dynamic radial load that may be shared by the two needle roller and cage radial bearing assemblies should not be greater than Cr/3.

In determining the total torque load on a clutch, it is essential to consider the torque, due to inertial forces developed in the mechanism, in addition to the externally applied torque. The larger the clutch, and the greater the mass of the mechanism controlled by it, the more important this consideration becomes.

Clutch lockup depends on friction. For this reason, applications involving severe vibrations or axial motion of the shaft within the clutch are to be avoided. Applications where overhanging or overturning loads occur should incorporate bearings that will maintain alignment between the shaft and the clutch housing. Consult your representative for suggestions.

### LUBRICATION

Oil is the preferred lubricant; it minimizes wear and heat generation. For those applications where oil is not practical, clutches are packed with a soft grease containing mineral oil. Thick grease will retard roller engagement and can cause individual rollers to slip, possibly overloading any engaged rollers.

### TEMPERATURE

Temperature extremes can cause clutch malfunctions and failure. The molded plastic cage with integral springs holds its necessary resiliency and strength when the operating temperature within the clutch is kept below 90° C (200° F). The clutch with reinforced nylon cage and separate steel springs operates well at temperatures up to 120° C (250° F) continuously and to 150° C (300° F) intermittently. Excessive thickening of the lubricant at low temperatures may prevent some, or all, of the rollers from engaging. New applications should be tested under expected operating conditions to determine whether or not temperature problems exist.

### BACKLASH

Backlash, or lost motion, prior to engagement is minimal. The variation in backlash from one cycle to another is extremely low. Grease lubrication, or improper fit (housing bore and shaft diameter), may increase backlash. Angular displacement between the shaft and housing increases as an applied torque load is increased.

### RATE OF ENGAGEMENT

Clutch lockup depends upon static friction. Axial motion between shaft and clutch rollers prevents lockup.

Clutches with integral springs engage satisfactorily at cyclic rates up to 200 engagements per minute. Intermittent operation at higher rates has been successful. The steel spring type clutches have proven dependability at rates up to 6000 or 7000 engagements per minute. Even higher cyclic rates may be practical. Because grease may impair engagement at high cyclic rates, a light oil should be used.

### OVERRUN LIMIT SPEED RATING

Exact limiting speed ratings are not easily predictable. The value for each clutch given in the bearing tables is not absolute but serves as a guide for the designer. Oil lubrication is absolutely necessary for high speed operations. Consult your representative when overrunning speeds are high.

### INSPECTION

Although the outer cup of the clutch is accurately drawn from strip steel, it can go slightly out of round during heat treat. When the assembly is pressed into a ring gage, or properly prepared housing of correct size and wall thickness, it becomes round and properly sized. Direct measurement of the outer diameter of a drawn cup assembly is an incorrect procedure. The proper inspection procedure is as follows:

1. Press the assembly into a ring gage of the proper size, as given in the tables.
2. Gage the bore with the specified plug gages of the proper size, as given in the tables of dimensions.
  - a. The locking plug is rotated to ensure lockup when the clutch is operated on a low-limit shaft and is mounted in a high-limit housing, strong enough to properly size the clutch.
  - b. The overrun plug is rotated to ensure free overrunning when the clutch is operated on a high-limit shaft and is mounted in a low-limit housing.
  - c. The "go" plug and "no go" plug ensure proper size of the bearings in the clutch and bearing assemblies.

Gage sizes are listed in the tables of dimensions. Plug gage sizes reflect adjustment for the loose and tight conditions resulting from high or low housings or shafts.



**DRAWN CUP ROLLER CLUTCHES**

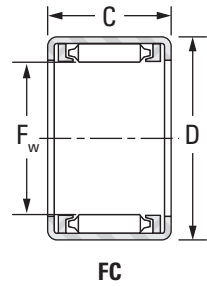
**METRIC SERIES**

- For proper application, separate bearings are suggested (adjacent to clutch) to carry radial loads and assure concentricity between shaft and housing.
- The clutch engages when housing is rotated relative to the shaft in direction of arrow marking (← LOCK), as labeled on cup.
- Proper inspection requires use of ring gage and bore plug gage(s). See the inspection section on page B-3-9.
- Full details on installation are given on page B-3-8.

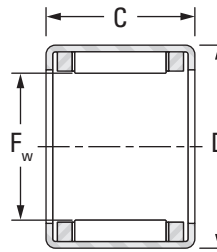
- Shaft raceway and housing bore diameters that are necessary for proper mounting and operation are listed on the opposite page.
- Types FC, FCS, FC-K and FCL-K clutches have stainless steel springs inserted in molded cage to position rollers for lockup.



The mounted clutch engages when the housing is rotated relative to the shaft in the direction of the arrow marking (← LOCK) stamped on the cup.



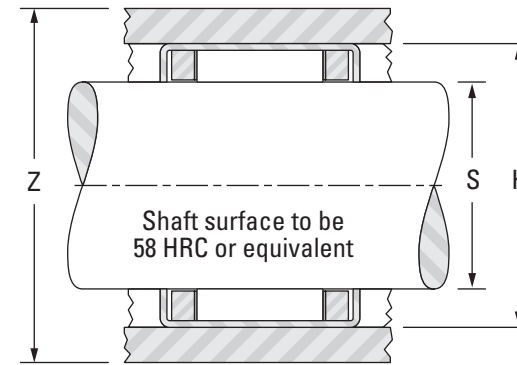
FC



FCS, FCL-K and FC-K

Shaft Diameter	F <sub>w</sub>	D	C	Clutch Designation	Torque Rating	Z	Overrun Limiting Speed Rating for Rotating Shaft	Suitable Drawn Cup Bearing <sup>(1)</sup>
						Minimum O.D. of Steel Housing for Rated Torque		
mm in	mm in	mm in	mm in		N-m lbf-in	mm in	min <sup>-1</sup>	
4 0.1575	4 0.1575	8 0.3150	6 0.236	FC-4-K	0.349 3.09	11 0.433	26000	HK0408
6 0.2362	6 0.2362	10 0.3937	12 0.472	FCS-6	2.15 19.0	14 0.551	22000	HK0608
	6 0.2362	10 0.3937	12 0.472	FC-6	2.63 23.3	14 0.551	22000	HK0608
8 0.3150	8 0.3150	12 0.4724	12 0.472	FCL-8-K	3.39 30.0	17 0.669	21000	HK0808
	8 0.3150	14 0.5512	12 0.472	FC-8	4.42 39.1	20 0.787	21000	—
10 0.3937	10 0.3937	14 0.5512	12 0.472	FCL-10-K	4.60 40.7	20 0.787	19000	HK1010
	10 0.3937	16 0.6299	12 0.472	FC-10	5.82 51.5	25 0.984	19000	—
12 0.4724	12 0.4724	18 0.7087	16 0.630	FC-12	14.0 124	27 1.063	19000	HK1212
16 0.6299	16 0.6299	22 0.8661	16 0.630	FC-16	21.7 192	31 1.22	14000	HK1612
20 0.7874	20 0.7874	26 1.0236	16 0.630	FC-20	32.6 289	38 1.496	11000	HK2012
25 0.9843	25 0.9843	32 1.2598	20 0.787	FC-25	71.0 628	46 1.811	8700	HK2512
30 1.1811	30 1.1811	37 1.4567	20 0.787	FC-30	99.1 877	51 2.008	7300	HK3012
35 1.3780	35 1.3780	42 1.6535	20 0.787	FCS-35	107.0 947	56 2.205	6100	HK3512

<sup>(1)</sup> See pages B-2-14 to B-2-25 for suitable bearing types and sizes.



Gaging			S		H		Approx. Wt.
Ring Gage	Clutch Locking Plug	Clutch Overrun Plug	Shaft Raceway Diameter		Housing Bore		
			Mounting				
mm in	mm in	mm in	Max. mm in	Min. mm in	Max. mm in	Min. mm in	kg lbs
7.984 0.3143	3.980 0.1567	4.004 0.1576	4.000 0.1575	3.995 0.1573	7.993 0.3147	7.984 0.3143	0.001 0.002
9.984 0.3931	5.980 0.2354	6.004 0.2364	6.000 0.2362	5.995 0.2360	9.993 0.3934	9.984 0.3931	0.003 0.007
9.984 0.3931	5.980 0.2354	6.004 0.2364	6.000 0.2362	5.995 0.2360	9.993 0.3934	9.984 0.3931	0.004 0.009
11.980 0.4717	7.976 0.3140	8.005 0.3152	8.000 0.3150	7.994 0.3147	11.991 0.4721	11.980 0.4717	0.003 0.007
13.980 0.5504	7.976 0.3140	8.005 0.3152	8.000 0.3150	7.994 0.3147	13.991 0.5508	13.980 0.5504	0.007 0.015
13.980 0.5504	9.976 0.3928	10.005 0.3939	10.000 0.3937	9.994 0.3935	13.991 0.5508	13.980 0.5504	0.004 0.009
15.980 0.6291	9.976 0.3928	10.005 0.3939	10.000 0.3937	9.994 0.3935	15.991 0.6296	15.980 0.6291	0.009 0.020
17.980 0.7079	11.974 0.4714	12.006 0.4727	12.000 0.4724	11.992 0.4721	17.991 0.7083	17.980 0.7079	0.012 0.026
21.976 0.8652	15.972 0.6288	16.006 0.6302	16.000 0.6299	15.992 0.6296	21.989 0.8657	21.976 0.8652	0.018 0.040
25.976 1.0227	19.970 0.7862	20.007 0.7877	20.000 0.7874	19.991 0.7870	25.989 1.0232	25.976 1.0227	0.021 0.046
31.972 1.2587	24.967 0.9830	25.007 0.9845	25.000 0.9843	24.991 0.9839	31.988 1.2594	31.972 1.2587	0.034 0.075
36.972 1.4556	29.967 1.1798	30.007 1.1814	30.000 1.1811	29.991 1.1807	36.988 1.4562	36.972 1.4556	0.042 0.093
41.972 1.6524	34.964 1.3765	35.009 1.3783	35.000 1.3780	34.989 1.3775	41.988 1.6531	41.972 1.6524	0.048 0.106



**DRAWN CUP ROLLER CLUTCHES AND BEARING ASSEMBLIES**

**METRIC SERIES**

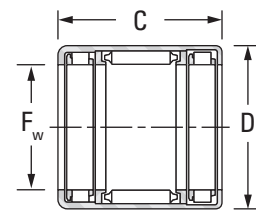
- The clutch and bearing assembly engages when the housing is rotated relative to shaft in direction of arrow marking (← LOCK), as labeled on cup.
- Shaft raceway and housing bore diameters that are necessary for proper mounting and operation are listed on the opposite page.
- Proper inspection requires use of ring gage and bore plug gage(s). See the inspection section on page B-3-9.

- Full details on installation are given on page B-3-8.
- Types FCB, FCBL-K and FCBN-K clutch and bearing assemblies have stainless steel springs inserted in molded cage to position rollers for lockup.

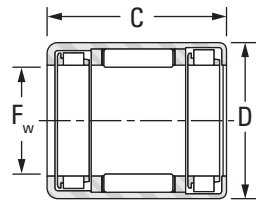


The mounted clutch and bearing assembly engages when the housing is rotated relative to the shaft in the direction of the arrow marking (← LOCK) stamped on the cup.

Clutch and bearing assemblies



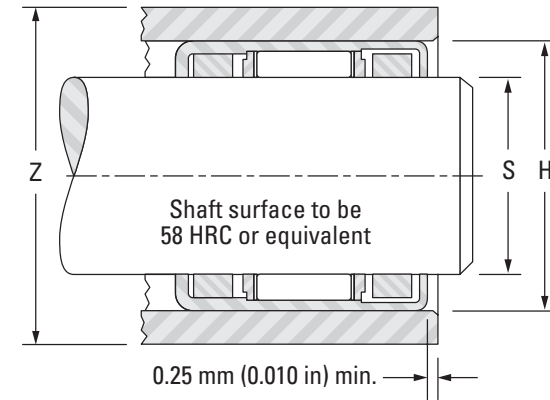
FCB



FCBL-K and FCBN-K

Shaft Diameter	F <sub>w</sub>	D	C	Clutch and Bearing Assembly Designation	Torque Rating	Z	Load Ratings <sup>(1)</sup>		Overrun Limiting Speed Rating for Rotating Shaft	
							Minimum O.D. of Steel Housing for Rated Torque	C		
								Dynamic		Static
mm in	mm in	mm in	mm in		N-m lbf-in		kN lbf	kN lbf	min <sup>-1</sup>	
4 0.1575	4 0.1575	10 0.3937	9 0.354	FCBN-4-K	0.19 1.68	16 0.630	1.86 418	0.99 223	26000	
6 0.2362	6 0.2362	12 0.4724	10 0.394	FCBN-6-K	0.56 4.96	18 0.709	2.48 558	1.48 333	22000	
8 0.3150	8 0.3150	12 0.4724	22 0.866	FCBL-8-K	3.39 30.0	17 0.669	3.62 814	3.28 737	21000	
	8 0.3150	14 0.5512	20 0.787	FCB-8	4.42 39.1	20 0.787	4.22 949	3.04 683	21000	
10 0.3937	10 0.3937	16 0.6299	20 0.787	FCB-10	5.82 51.5	25 0.984	4.84 1090	3.80 854	19000	
12 0.4724	12 0.4724	18 0.7087	26 1.024	FCB-12	14.0 124	27 1.063	6.30 1420	5.84 1310	19000	
16 0.6299	16 0.6299	22 0.8661	26 1.024	FCB-16	21.7 192	31 1.220	6.64 1490	7.12 1600	14000	
20 0.7874	20 0.7874	26 1.0236	26 1.024	FCB-20	32.6 289	38 1.496	8.16 1830	9.46 2130	11000	
25 0.9843	25 0.9843	32 1.2598	30 1.181	FCB-25	71.0 628	46 1.811	11.3 2540	13.1 2940	8700	
30 1.1811	30 1.1811	37 1.4567	30 1.181	FCB-30	99.1 877	51 2.008	11.5 2590	14.9 3350	7300	

<sup>(1)</sup> Load ratings are based on a minimum raceway hardness of 58 HRC or equivalent.



Gaging				S		H		Approx. Wt.
Ring Gage	Clutch Locking Plug	Clutch Overrun and Bearing Go Plug	Bearing No Go Plug	Mounting				
				Max.	Min.	Max.	Min.	
mm in	mm in	mm in	mm in	mm in	mm in	mm in	mm in	kg lbs
9.984 0.3931	3.980 0.1567	4.004 0.1576	4.030 0.1587	4.000 0.1575	3.995 0.1573	9.993 0.3934	9.984 0.3931	0.003 0.007
11.980 0.4717	5.980 0.2354	6.004 0.2364	6.030 0.2374	6.000 0.2362	5.995 0.2360	11.991 0.4721	11.980 0.4717	0.004 0.009
11.980 0.4717	7.976 0.3140	8.005 0.3152	8.033 0.3163	8.000 0.3150	7.994 0.3147	11.991 0.4721	11.980 0.4717	0.005 0.011
13.980 0.5504	7.976 0.3140	8.005 0.3152	8.033 0.3163	8.000 0.3150	7.994 0.3147	13.991 0.5508	13.980 0.5504	0.011 0.024
15.980 0.6291	9.976 0.3928	10.005 0.3939	10.033 0.3950	10.000 0.3937	9.994 0.3935	15.991 0.6296	15.980 0.6291	0.013 0.029
17.980 0.7079	11.974 0.4714	12.006 0.4727	12.036 0.4739	12.000 0.4724	11.992 0.4721	17.991 0.7083	17.980 0.7079	0.018 0.040
21.976 0.8652	15.972 0.6288	16.006 0.6302	16.036 0.6313	16.000 0.6299	15.992 0.6296	21.989 0.8657	21.976 0.8652	0.024 0.053
25.976 1.0227	19.970 0.7862	20.007 0.7877	20.043 0.7891	20.000 0.7874	19.991 0.7870	25.989 1.0232	25.976 1.0227	0.028 0.062
31.972 1.2587	24.967 0.9830	25.007 0.9845	25.043 0.9859	25.000 0.9843	24.991 0.9839	31.988 1.2594	31.972 1.2587	0.048 0.106
36.972 1.4556	29.967 1.1798	30.007 1.1814	30.043 1.1828	30.000 1.1811	29.991 1.1807	36.988 1.4562	36.972 1.4556	0.054 0.119



**DRAWN CUP ROLLER CLUTCHES**

**INCH SERIES**

- For proper application, separate bearings are suggested (adjacent to clutch) to carry radial loads and assure concentricity between shaft and housing.
- The clutch engages when housing is rotated relative to the shaft in direction of arrow marking (← LOCK), as labeled on cup.
- Proper inspection requires use of ring gage and bore plug gage(s). See the inspection section on page B-3-9.
- Full details on installation are given on page B-3-8.

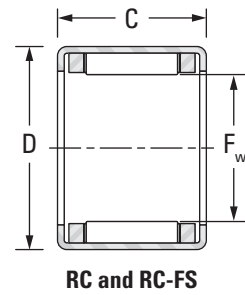
- Shaft raceway and housing bore diameters that are necessary for proper mounting and operation are listed on the opposite page.

- Type RC clutches have springs integrally molded with the cage to position the rollers for lockup.

Type RC-FS clutches have stainless steel springs inserted into the molded cage to position the rollers for lockup.

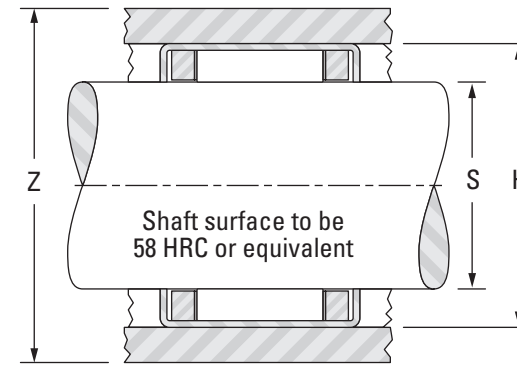


The mounted clutch engages when the housing is rotated relative to the shaft in the direction of the arrow marking (← LOCK) stamped on the cup.



Shaft Diameter	F <sub>w</sub>	D	C	Clutch Designations		Torque Rating	Z	Overrun Limiting Speed Rating for Rotating Shaft
				With Stainless Steel Springs	With Integral Springs			
mm in	mm in	mm in	mm in			N-m lbs-in	Minimum O.D. of Steel Housing for Rated Torque	min <sup>-1</sup>
3.175 0.1250	3.18 0.125	7.14 0.281	6.35 0.250	—	RC-02	0.323 2.86	11.2 0.44	34000
6.350 0.2500	6.35 0.250	11.13 0.438	12.70 0.500	RC-040708-FS <sup>(1)</sup>	RC-040708	1.94 17.2	15.7 0.62	20000
9.525 0.3750	9.53 0.375	15.88 0.625	12.70 0.500	RC-061008-FS <sup>(1)</sup>	RC-061008	5.45 48.2	22.4 0.88	18000
12.700 0.5000	12.70 0.500	19.05 0.750	12.70 0.500	RC-081208-FS <sup>(1)</sup>	RC-081208	8.85 78.3	27.9 1.10	17000
15.875 0.6250	15.88 0.625	22.23 0.875	15.88 0.625	RC-101410-FS <sup>(1)</sup>	RC-101410	16.8 149	30.5 1.20	14000
19.050 0.7500	19.05 0.750	25.40 1.000	15.88 0.625	RC-121610-FS <sup>(1)</sup>	RC-121610	23.3 206	35.6 1.40	12000
25.400 1.0000	25.40 1.000	33.35 1.313	15.88 0.625	RC-162110-FS <sup>(1)</sup>	RC-162110	49.6 439	48.3 1.90	8700

<sup>(1)</sup> Suffix "-FS" is not always stamped on the clutch cup. Type RC-FS with stainless steel springs are always readily identified by RED clutch cage.  
<sup>(2)</sup> See pages B-2-66 to B-2-69 for other suitable bearing types and sizes.



Suitable Drawn Cup Bearing <sup>(2)</sup>	Gaging			S		H		Approx. Wt.
				Shaft Raceway Diameter		Housing Bore		
	Ring Gage	Clutch Locking Plug	Clutch Overrun Plug	Mounting				
				Max.	Min.	Max.	Min.	
mm in	mm in	mm in	mm in	mm in	mm in	mm in	mm in	kg lbs
—	7.155 0.2817	3.160 0.1244	3.195 0.1258	3.175 0.1250	3.167 0.1247	7.155 0.2817	7.142 0.2812	0.001 0.002
J-45	11.125 0.4380	6.337 0.2495	6.383 0.2513	6.350 0.2500	6.337 0.2495	11.125 0.4380	11.100 0.4370	0.004 0.008
JH-68	15.888 0.6255	9.512 0.3745	9.558 0.3763	9.525 0.3750	9.512 0.3745	15.888 0.6255	15.862 0.6245	0.008 0.017
JH-87	19.063 0.7505	12.687 0.4995	12.733 0.5013	12.700 0.5000	12.687 0.4995	19.063 0.7505	19.037 0.7495	0.009 0.020
JH-1010	22.238 0.8755	15.862 0.6245	15.908 0.6263	15.875 0.6250	15.862 0.6245	22.238 0.8755	22.212 0.8745	0.014 0.030
J-126	25.387 0.9995	19.012 0.7485	19.058 0.7503	19.050 0.7500	19.037 0.7495	25.413 1.0005	25.387 0.9995	0.015 0.034
JH-1612	33.325 1.3120	25.362 0.9985	25.408 1.0003	25.400 1.0000	25.387 0.9995	33.350 1.3130	33.325 1.3120	0.026 0.058



**DRAWN CUP ROLLER CLUTCH AND BEARING ASSEMBLIES**

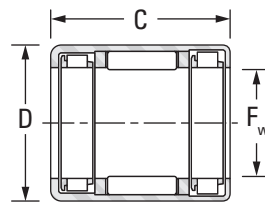
**INCH SERIES**

- Clutch and bearing assembly engages when the housing is rotated relative to shaft in direction of arrow marking (← LOCK), as labeled on cup.
- Shaft raceway and housing bore diameters that are necessary for proper mounting and operation are listed on the opposite page.
- Proper inspection requires use of ring gage and bore plug gage(s). See the inspection section on page B-3-9.
- Full details on installation are given on page B-3-8.

- Type RCB clutch and bearing assemblies have springs integrally molded with the cage to position the rollers for lockup.
- Type RCB-FS clutch and bearing assemblies have stainless steel springs inserted into the molded cage to position the rollers for lockup.



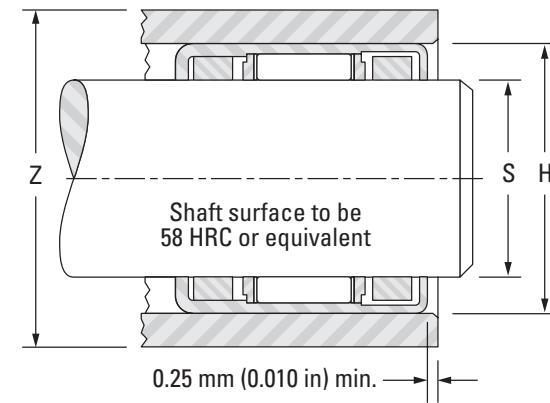
The mounted clutch and bearing assembly engages when the housing is rotated relative to the shaft in the direction of the arrow marking (← LOCK) stamped on the cup.



RCB and RCB-FS

Shaft Diameter	F <sub>w</sub>	D	C -0.25 mm -0.010 in	Clutch and Bearing Designations		Torque Rating	Z Minimum O.D. of Steel Housing for Rated Torque	Load Ratings <sup>(2)</sup>		Overrun Limiting Speed Rating for Rotating Shaft
				With Stainless Steel Springs	With Integral Springs			C	C <sub>0</sub>	
mm in	mm in	mm in	mm in			N-m lbf-in		kN lbf	kN lbf	min <sup>-1</sup>
9.525 0.3750	9.53 0.375	15.88 0.625	22.23 0.875	RCB-061014-FS <sup>(1)</sup>	RCB-061014	5.45 48.2	22.4 0.88	6.01 1350	4.89 1100	18000
12.700 0.5000	12.70 0.500	19.05 0.750	22.23 0.875	RCB-081214-FS <sup>(1)</sup>	RCB-081214	8.85 78.3	27.9 1.1	7.12 1600	6.49 1460	17000
15.875 0.6250	15.88 0.625	22.23 0.875	25.40 1.000	RCB-101416-FS <sup>(1)</sup>	RCB-101416	16.8 149	30.5 1.2	8.05 1810	8.14 1830	14000
19.050 0.7500	19.05 0.750	25.40 1.000	25.40 1.000	RCB-121616-FS <sup>(1)</sup>	RCB-121616	23.3 206	35.6 1.4	8.90 2000	9.79 2200	12000
25.400 1.0000	25.40 1.000	33.35 1.313	27.00 1.063	RCB-162117-FS <sup>(1)</sup>	RCB-162117	49.6 439	48.3 1.9	15.4 3460	17.6 3960	8700

<sup>(1)</sup> Suffix "-FS" is not always stamped on the clutch cup. Type RC-FS with stainless steel springs are always readily identified by RED clutch cage.  
<sup>(2)</sup> Load ratings are based on a minimum raceway hardness of 58 HRC or equivalent.



Gaging				S		H		Approx. Wt.
Ring Gage	Clutch Locking Plug	Clutch Overrun and Bearing Go Plug	Bearing No Go Plug	Shaft Raceway Diameter		Housing Bore		
				Mounting				
				Max.	Min.	Max.	Min.	
mm in	mm in	mm in	mm in	mm in	mm in	mm in	mm in	kg lbs
15.888 0.6255	9.512 0.3745	9.553 0.3761	9.589 0.3775	9.525 0.3750	9.512 0.3745	15.888 0.6255	15.862 0.6245	0.014 0.030
19.063 0.7505	12.687 0.4995	12.728 0.5011	12.764 0.5025	12.700 0.5000	12.687 0.4995	19.063 0.7505	19.037 0.7495	0.016 0.036
22.238 0.8755	15.862 0.6245	15.903 0.6261	15.939 0.6275	15.875 0.6250	15.862 0.6245	22.238 0.8755	22.212 0.8745	0.023 0.050
25.387 0.9995	19.012 0.7485	19.053 0.7501	19.088 0.7515	19.050 0.7500	19.037 0.7495	25.413 1.0005	25.387 0.9995	0.026 0.057
33.325 1.3120	25.362 0.9985	25.403 1.0001	25.438 1.0015	25.400 1.0000	25.387 0.9995	33.350 1.3130	33.325 1.3120	0.045 0.100



INTRODUCTION

OTHER AVAILABLE CLUTCHES

In addition to the metric and inch sizes of drawn cup clutches and clutch and bearing assemblies already discussed, JTEKT offers other types of drawn cup clutches to address special customer needs:

**DRAWN CUP ROLLER CLUTCHES FOR USE IN PLASTIC HOUSINGS**

**FCP AND DF TYPES**

Types **FCP** and **DF** clutches feature axial grooves in the outside surface of the clutch cup. It is important that these grooves align with similar protrusions in the housing bore to prevent the clutch from slipping relative to the housing.

Types **FCP** and **DF** clutches are available with bore diameters of 4, 6, 8 and 10 mm.

These clutches may be made available already mounted in a plastic housing such as a gear or a pulley to meet the customer's design specifications.

Please contact your representative for details and availability.

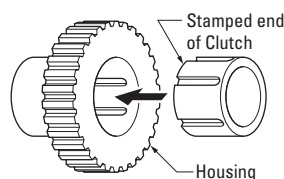


Fig. B3-15. Clutch installation into housing

CHARACTERISTICS

- Easily unitized – they can be unitized with plastic parts such as gears, pulleys, rollers, etc. as needed.
- Creep preventing structure – creep is prevented by mating a thin cross section roller clutch, which has special grooves on O.D. formed by a precision press, with a plastic part that has an equal number of bosses on the bore of the housing.
- High precision and good durability – high precision and good durability is obtained because cam surfaces are formed by precision deep drawing.
- Small and compact – this series satisfies the need for a lighter compact product.

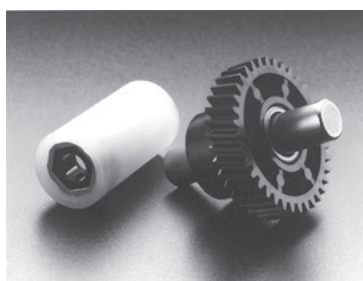


Fig. B3-16. Sample DF and FCP clutches

STRUCTURE

Drawn cup roller clutches for plastic housings are composed of a drawn cup with internal cam surfaces and creep preventing grooves on O.D., rollers, and a retainer with either integral plastic or stainless steel springs.

The plastic housings can be a plastic gear, a pulley, a roller, etc., so it is possible to design the housing to meet any customers' needs.

**ROLLER CLUTCH UNITS WITH PLASTIC HOUSINGS**

**FCU TYPES**

Type **FCU** clutches were developed for office equipment and similar applications.

The **FCU** clutches are available with bore diameters of 6 and 8 mm.

They can be supplied with housings of various shapes to meet customer needs.

Please contact your representative for details and availability.

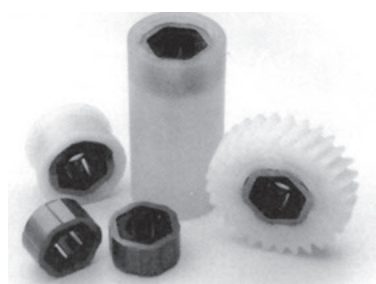


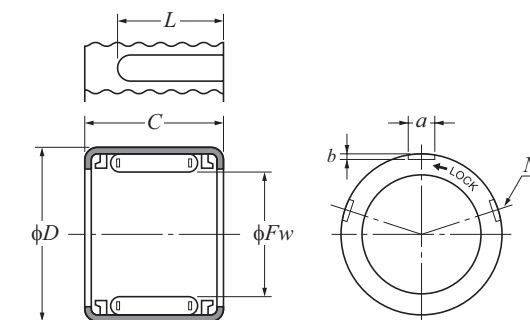
Fig. B3-17. Sample of FCU clutch

**RECOMMENDED FIT FOR SHAFT AND HOUSING**

Drawn cup roller clutches for plastic housings are at their designed dimensions and tolerances only when they are installed in plastic housings.

- Shaft Material:
  - Carbon steel for machine structural use
  - Rolled steel for general use
  - Stainless steel
- Shaft Tolerance: h9 class
- Shaft surface finish: 0.4 micrometers
- Housing: Please consult your representative for housing bore sizes if purchasing roller clutches without housings. These roller clutches can be used with cylindrical steel or aluminum housings. In this case, please consult your representative for proper fit.

Specially designed clutches for use with plastic housings. Available in bores from 4 to 10 mm and 1/4" and 3/8" bores. Grooves drawn into cup O.D. mate with protrusions molded into plastic housing bore to prevent clutch from moving relative to plastic housing. JTEKT can supply molded plastic housing and clutch assemblies.



\* Number of equally spaced grooves

Fig. B3-18. Nominal clutch dimensions

JTEKT also has low cost FCU clutches available in 6 mm (0.2362 in) to 8 mm (0.3150 in) bores.

Can be designed and supplied with housings of various shapes to meet customer needs.

Table B3-1. Drawn cup roller clutches for plastic housings

Fw	D	C	a	b	L	N	Clutch Designation	Locking <sup>(1)</sup> Direction	Torque Rating (N-m)	Overrunning Drag (mN-m)	Type of Spring
mm in	mm in	mm in	mm in	mm in	mm in				N-m	mN-m	
4 0.1575	8 0.3150	6 0.2362	1.0 0.0394	0.25 0.0098	4 0.1575	5	DF-500401	CCW	0.13	1.96	Stainless Steel
	8 0.3150	6 0.2362	1.0 0.0394	0.25 0.0098	4 0.1575	5	DF-500408	CW	0.13	1.96	Stainless Steel
6 0.2362	10 0.3937	8 0.3150	1.2 0.0472	0.25 0.0098	5.5 0.2165	3	DF-500609	CCW	0.44	2.94	Integral Plastic
	10 0.3937	8 0.3150	1.2 0.0472	0.25 0.0098	5.5 0.2165	3	DF-500610	CW	0.44	2.94	Integral Plastic
	12 0.4724	11 0.4331	1.5 0.0591	0.25 0.0098	8.5 0.3346	5	FCP-6	CCW	0.10	2.94	Integral Plastic
	12 0.4724	11 0.4331	1.5 0.0591	0.25 0.0098	8.5 0.3346	5	FCPC-6	CW	0.10	2.94	Integral Plastic
	12 0.4724	11 0.4331	1.5 0.0591	0.25 0.0098	8.5 0.3346	5	FCP-6H	CCW	0.90	2.94	Integral Plastic
	12 0.4724	11 0.4331	1.5 0.0591	0.25 0.0098	8.5 0.3346	5	FCPC-6H	CW	0.90	2.94	Integral Plastic
8 0.3150	12 0.4724	8 0.3150	1.2 0.0472	0.25 0.0098	5.5 0.2165	9	DF-500808	CCW	0.50	2.94	Integral Plastic
	12 0.4724	8 0.3150	1.2 0.0472	0.25 0.0098	5.5 0.2165	9	DF-500809	CW	0.50	2.94	Integral Plastic
	12 0.4724	12 0.4724	1.2 0.0472	0.25 0.0098	9.5 0.3740	9	FCP-8	CCW	0.21	2.94	Integral Plastic
	12 0.4724	12 0.4724	1.2 0.0472	0.25 0.0098	9.5 0.3740	9	FCPC-8	CW	0.21	2.94	Integral Plastic
	12 0.4724	12 0.4724	1.2 0.0472	0.25 0.0098	9.5 0.3740	9	FCP-8H	CCW	1.67	2.94	Integral Plastic
	12 0.4724	12 0.4724	1.2 0.0472	0.25 0.0098	9.5 0.3740	9	FCPC-8H	CW	1.67	2.94	Integral Plastic
	12 0.4724	12 0.4724	1.2 0.0472	0.25 0.0098	9.5 0.3740	9	DF-500804	CCW	1.67	2.94	Integral Plastic
10 0.3937	14 0.5512	12 0.4724	1.2 0.0472	0.25 0.0098	9.5 0.3740	5	FCP-10	CCW	0.28	3.92	Integral Plastic
	14 0.5512	12 0.4724	1.2 0.0472	0.25 0.0098	9.5 0.3740	5	FCPC-10	CW	0.28	3.92	Integral Plastic
	14 0.5512	12 0.4724	1.2 0.0472	0.25 0.0098	9.5 0.3740	5	FCP-10H	CCW	2.26	3.92	Integral Plastic
	14 0.5512	12 0.4724	1.2 0.0472	0.25 0.0098	9.5 0.3740	5	FCPC-10H	CW	2.26	3.92	Integral Plastic

<sup>(1)</sup> Locking direction = Direction clutch must be rotated relative to shaft for clutch to lock as seen from stamped end.



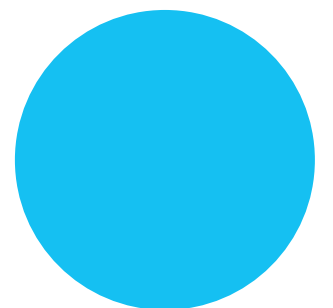
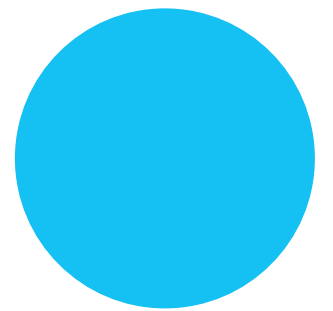


NOTES

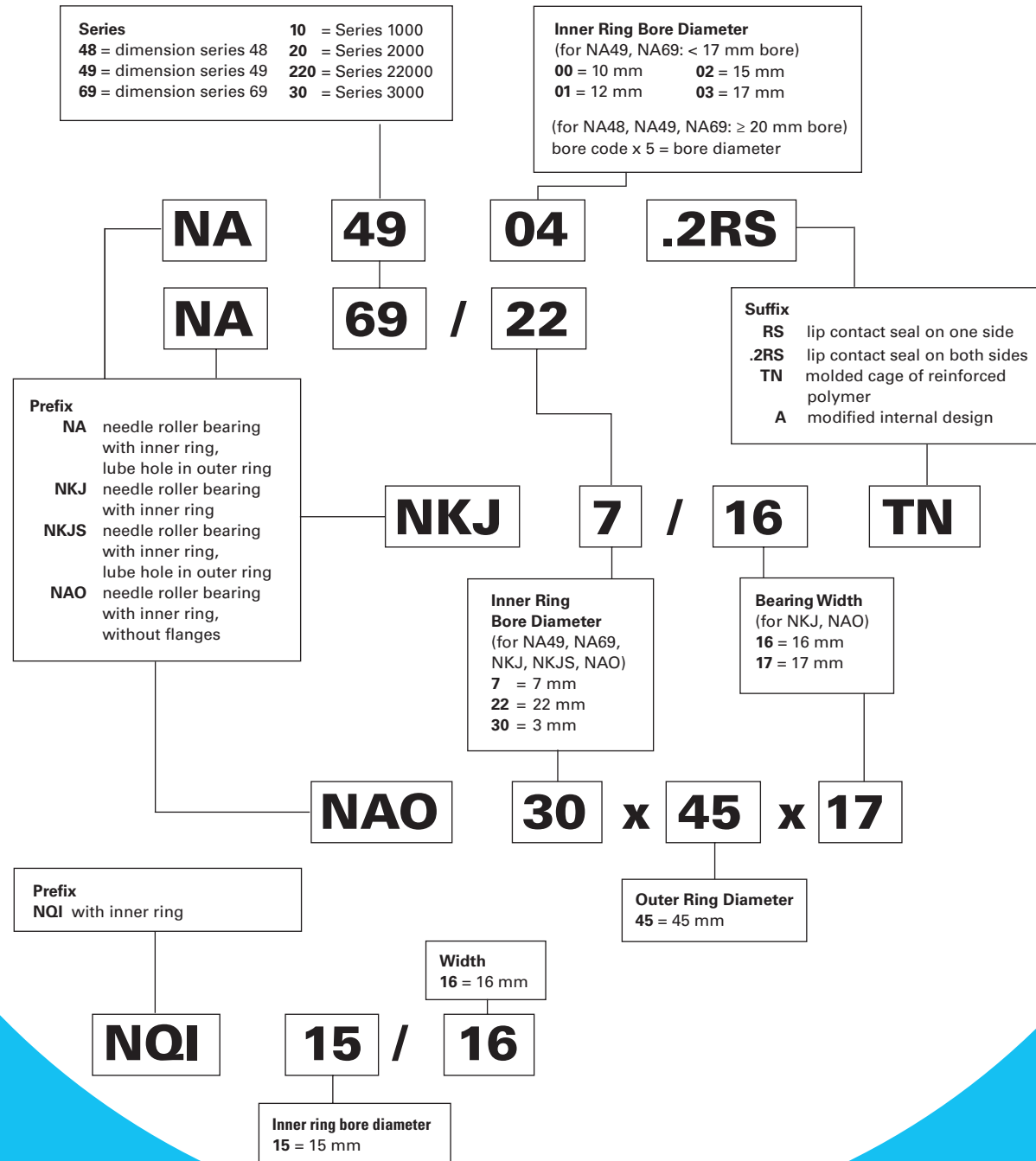
HEAVY-DUTY NEEDLE ROLLER BEARINGS

**Overview:** Heavy-duty needle roller bearings consist of a machined and ground channel-shaped outer ring with a complement of needle rollers, and a cage. The high-strength cage retains and guides the rollers. An optional lubrication groove and hole in the outer ring facilitates re-lubrication. These bearings can be used with or without a machined and ground inner ring, depending on the suitability of the shaft as a raceway surface.

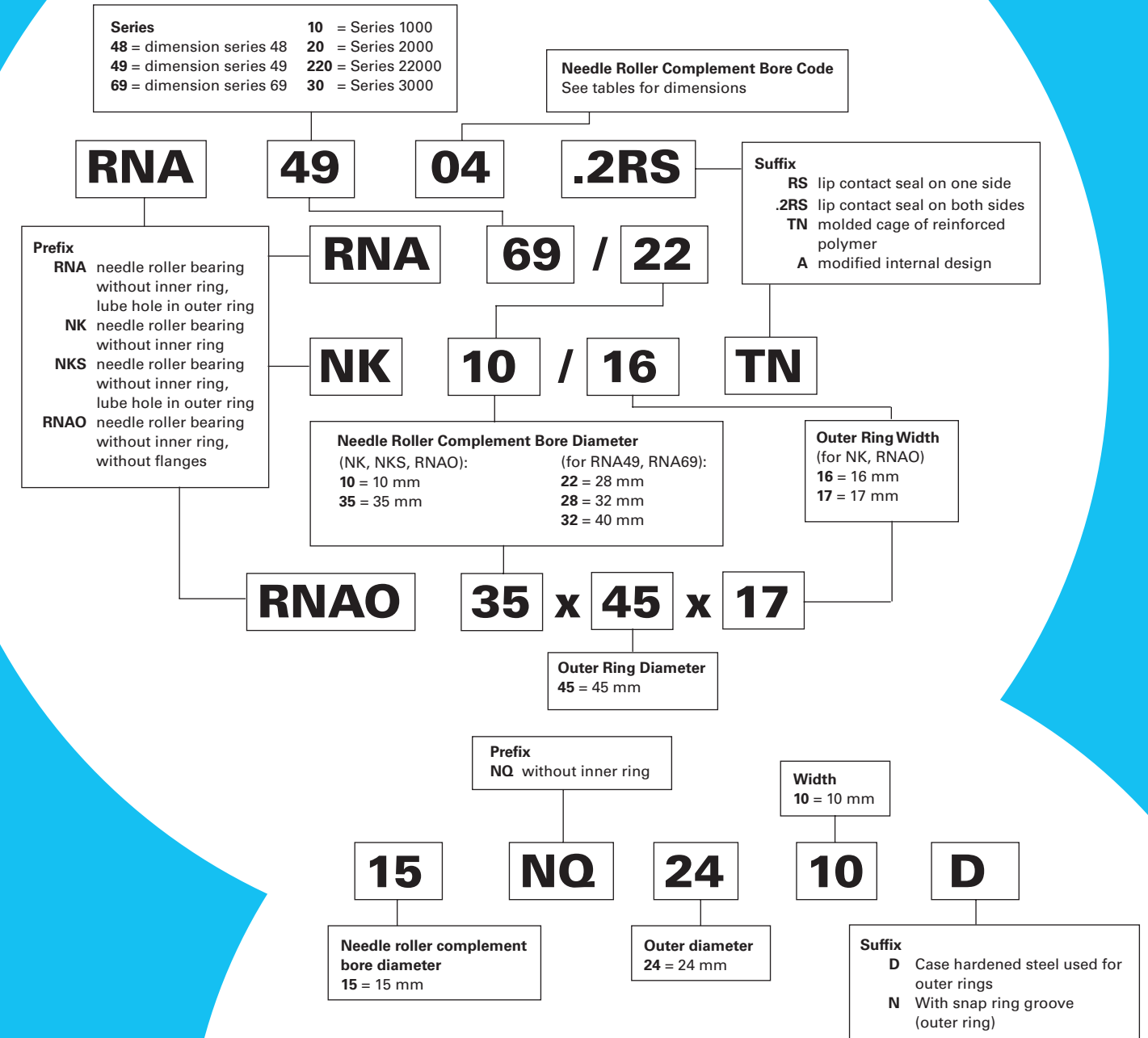
- **Catalogue range:** 5 mm – 335 mm (0.1969 in – 13.1890 in) bore.
- **Markets:** Gear pumps, sheaves, automotive transmissions and two-cycle engines.
- **Features:** Thick outer ring provides maximum load capacity and shock resistance with a relatively small radial cross section.
- **Benefits:** Optimum speed and lubrication-retention capability.



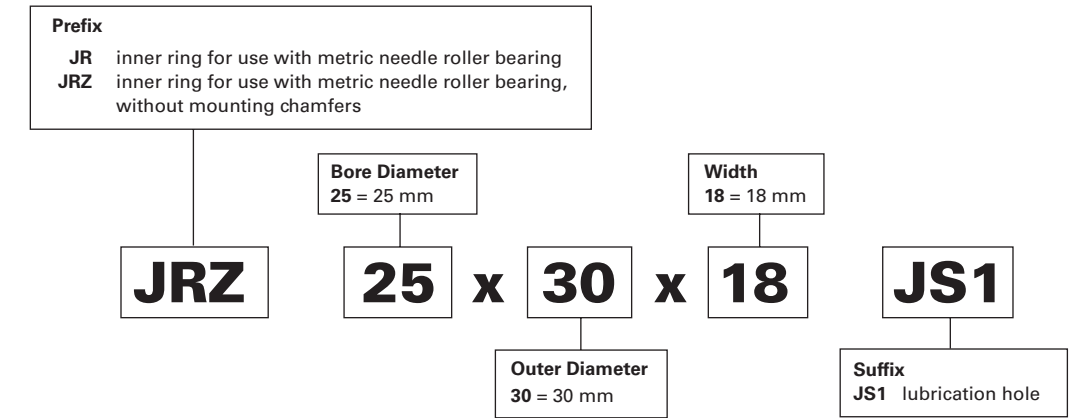
## Needle Roller Bearings with Inner Rings – Metric Nominal Dimensions



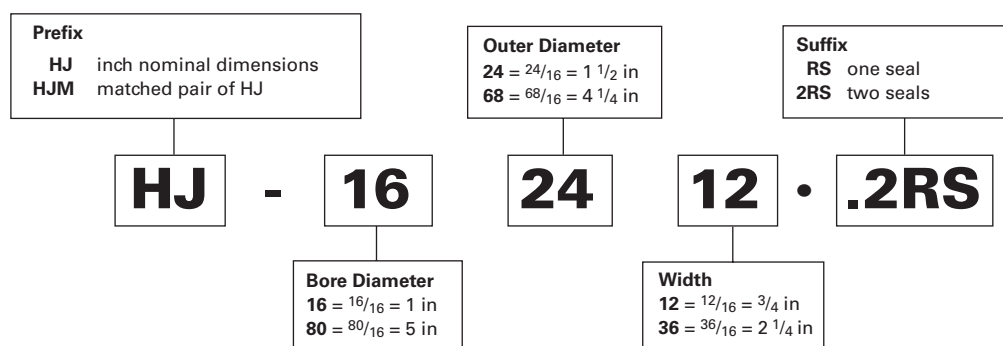
## Needle Roller Bearings without Inner Rings – Metric Nominal Dimensions



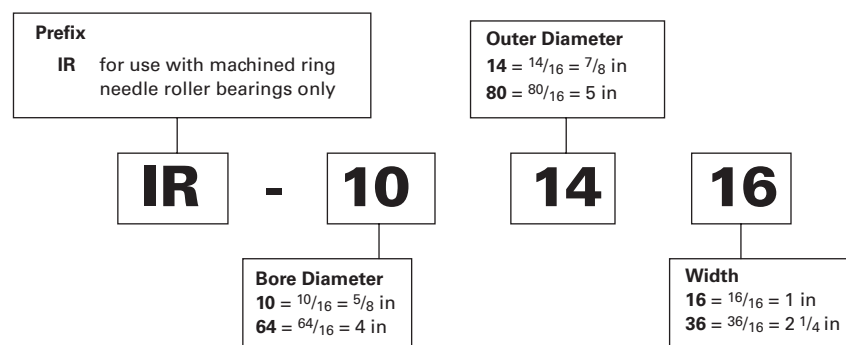
## Inner Rings for Needle Roller Bearings – Metric Nominal Dimensions



### Needle Roller Bearings – Inch Nominal Dimensions



### Inner Rings (six-digit number) – Inch Nominal Dimensions



## Heavy-Duty Needle Roller Bearings

Page

<b>NEEDLE ROLLER BEARINGS – METRIC SERIES</b>	
Introduction .....	B-4-6
<b>Needle Roller Bearings with Inner Rings</b>	
NKJ, NKJS, NA48, NA49, NA69 Series .....	B-4-13
NQI, NA49 Series .....	B-4-19
<b>Needle Roller Bearings without Inner Rings</b>	
NK, NKS, RNA48, RNA49, RNA69, NKTN Series .....	B-4-20
NQ, RNA49, RNA69 Series .....	B-4-27
<b>Sealed Needle Roller Bearings with Inner Rings</b> .....	
<b>Sealed Needle Roller Bearings without Inner Rings</b> .....	
<b>Needle Roller Bearings without Flanges</b>	
with Inner Rings.....	B-4-32
<b>Needle Roller Bearings without Flanges</b>	
without Inner Rings.....	B-4-35
<b>Needle Roller Bearings Full Complement</b>	
without Inner Rings.....	B-4-38
<b>Needle Roller Bearings Full Complement</b>	
with Inner Rings.....	B-4-42
<b>NEEDLE ROLLER BEARINGS – INCH SERIES</b>	
Introduction .....	B-4-45
HJ Type .....	B-4-48
Sealed Heavy-Duty Needle Roller Bearings .....	B-4-52
Inner Rings .....	B-4-54



NEEDLE ROLLER BEARINGS

METRIC SERIES

When applications involve very heavy dynamic, static or even shock load conditions, the needle roller bearing may be found to give best results.

REFERENCE STANDARDS ARE:

- **ISO 1206** – needle roller bearings – light and medium series – dimensions and tolerances.
- **DIN 617** – rolling bearings – needle roller bearings with cage – dimension Series 48 and 49.
- **JIS B 1536** – rolling bearings – needle roller bearings – boundary dimensions and precision.

TYPES OF METRIC SERIES NEEDLE ROLLER BEARINGS

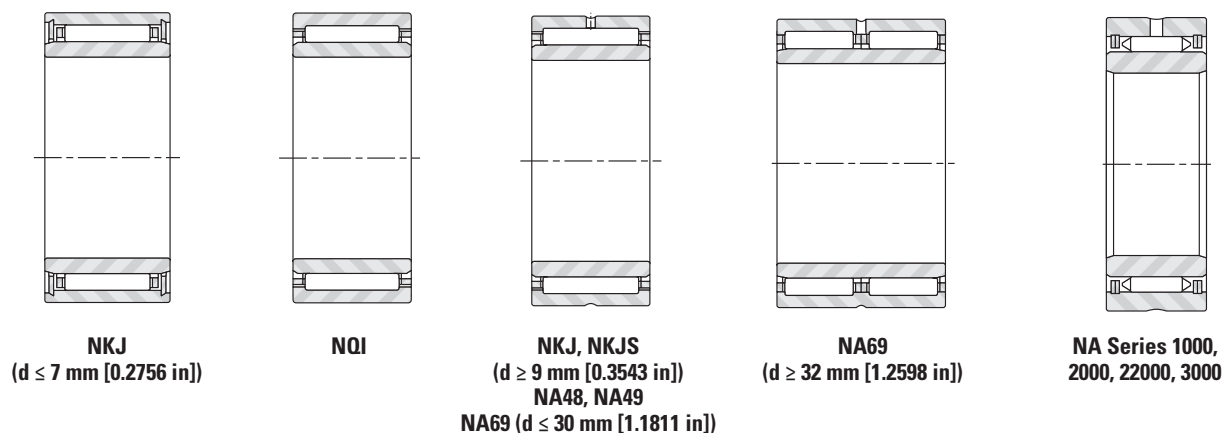


Fig. B4-1. Needle roller bearings with inner rings

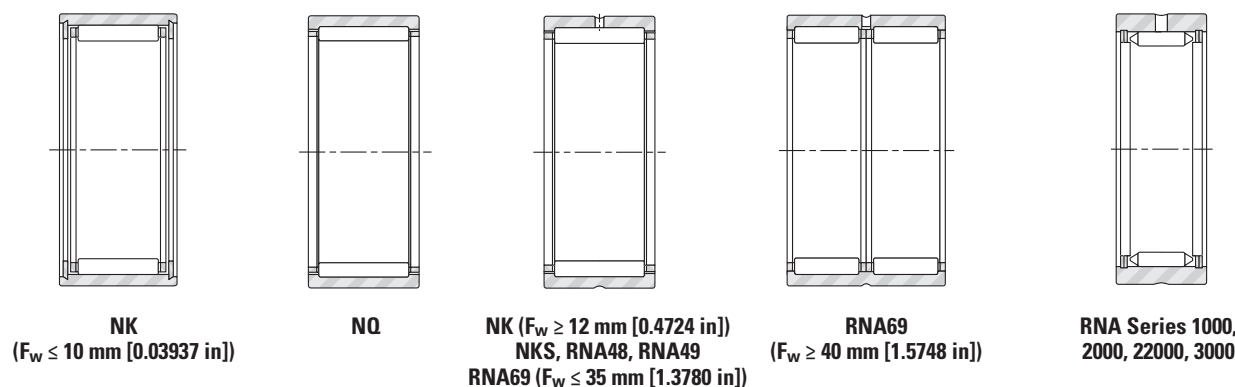


Fig. B4-2. Needle roller bearings without inner rings



Fig. B4-3. Sealed needle roller bearings with inner rings

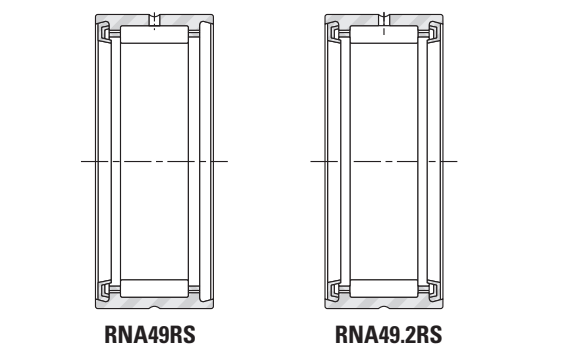


Fig. B4-4. Sealed needle roller bearings without inner rings

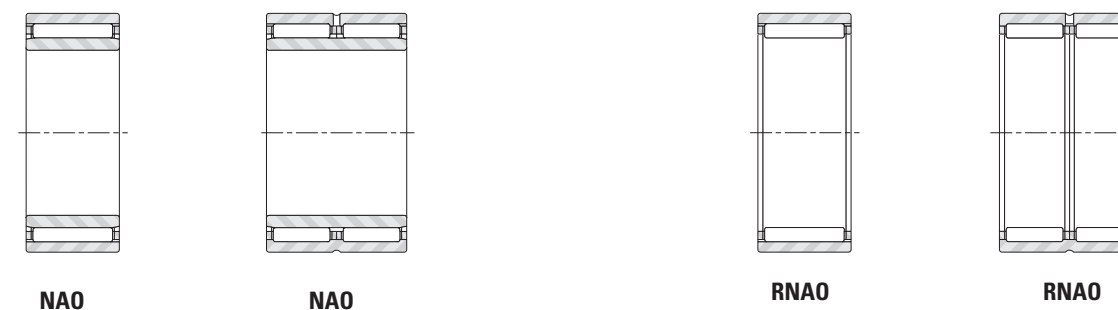


Fig. B4-5. Needle roller bearings without flanges, with inner rings

Fig. B4-6. Needle roller bearings without flanges, without inner rings

CONSTRUCTION

The basic constructions of metric series needle roller bearings are:

- With integral end flanges on the one-piece, channel-shaped outer rings ( $F_w \geq 12.000$  mm [0.4724 in]).
- With inserted-end washers to provide axial retention of the needle roller and cage assemblies ( $F_w \leq 10.000$  mm 0.3937 in).
- Without flanges where separate end washers or housing shoulders are required to provide axial retention of the needle roller and cage assemblies.
- Full, outer ring piloted complement of needle rollers (with or without inner ring).

METRIC SERIES NEEDLE ROLLER BEARINGS WITH INNER RINGS

This applies to the NKJ, NA, and NAO series.

When it is impractical to finish the shaft to meet the desired raceway design requirements, an inner ring may be used. Standard needle roller bearings are available with inner rings (such as the NA Series) to form complete bearings. Bearings furnished with inner rings meet the quality requirements in accordance with ISO standards.

- For inner- and outer-ring tolerances, the metric series bearings follow the normal tolerance class in ISO Standard 492 covering radial bearings. Bearings to more precise tolerance classes, P6 and P5, may be obtained upon request.
- The metric series bearings may be obtained with radial internal clearance in accordance with ISO Standard 5753, also specified for cylindrical roller bearings. Mostly, they follow the normal (C0) radial clearance group, although bearings to clearance groups C2, C3 and C4 may be made available on request.
- Inner ring and outer ring chamfer dimensions meet the requirements of ISO Standard 582.

METRIC SERIES NEEDLE ROLLER BEARINGS WITHOUT INNER RINGS

Whenever the shaft can be used as the inner raceway, needle roller bearings without inner rings provide advantages of economy and close control of radial internal clearance in operation. Tolerance class F6 is the normal specification for the metric series needle roller complement bore diameter of an unmounted bearing, as shown in Table B4-1 on page B-4-7 and Table B4-2 on page B-4-8. In the case of needle roller bearings of series RNAO, without flanges and without inner rings, the outer rings and needle roller and cage assemblies are not interchangeable.

Table B4-1. Metric series caged needle roller complement bore diameter for bearings without inner rings

$F_w$		$\Delta F_w$ min	
>	≤	Max.	Min.
mm in	mm in	mm in	mm in
3.000 0.1181	6.000 0.2362	+0.018 +0.0007	+0.010 +0.0004
6.000 0.2362	10.000 0.3937	+0.022 +0.0009	+0.013 +0.0005
10.000 0.3937	18.000 0.7087	+0.027 +0.0011	+0.016 +0.0006
18.000 0.7087	30.000 1.1811	+0.033 +0.0013	+0.020 +0.0008
30.000 1.1811	50.000 1.9685	+0.041 +0.0016	+0.025 +0.0010
50.000 1.9685	80.000 3.1496	+0.049 +0.0019	+0.030 +0.0012
80.000 3.1496	120.000 4.7244	+0.058 +0.0023	+0.036 +0.0014
120.000 4.7244	180.000 7.0866	+0.068 +0.0027	+0.043 +0.0017
180.000 7.0866	250.000 9.8425	+0.079 +0.0031	+0.050 +0.0020
250.000 9.8425	315.000 12.4016	+0.088 +0.0035	+0.056 +0.0022
315.000 12.4016	400.000 15.7480	+0.098 +0.0039	+0.062 +0.0024



**Table B4-2. Full complement metric needle roller complement bore diameter for bearings without inner rings**

F <sub>w</sub>		ΔF <sub>w</sub> min	
>	≤	Max.	Min.
mm in	mm in	mm in	mm in
5.000 0.1969	15.000 0.5906	+0.040 +0.0016	+0.020 +0.0008
15.000 0.5906	25.000 0.9843	+0.043 +0.0017	+0.020 +0.0008
25.000 0.9843	30.000 1.1811	+0.048 +0.0019	+0.025 +0.0010
30.000 1.1811	35.000 1.3780	+0.053 +0.0021	+0.030 +0.0012
35.000 1.3780	60.000 2.3622	+0.058 +0.0023	+0.035 +0.0014
60.000 2.3622	80.000 3.1496	+0.073 +0.0029	+0.045 +0.0018
80.000 3.1496	115.000 4.5276	+0.078 +0.0031	+0.050 +0.0020
115.000 4.5276	180.000 7.0866	+0.088 +0.0035	+0.060 +0.0024
180.000 7.0866	220.000 8.6614	+0.103 +0.0041	+0.070 +0.0028
220.000 8.6614	270.000 10.6299	+0.113 +0.0044	+0.080 +0.0031
270.000 10.6299	350.000 13.7795	+0.128 +0.0050	+0.090 +0.0035

**METRIC SERIES NEEDLE ROLLER BEARINGS WITH INTEGRAL FLANGES**

The needle roller bearing has a one-piece, channel-shaped outer ring of bearing-quality steel heat treated to yield maximum load rating. The integral end flanges provide axial location for the needle rollers. The bores of the end flanges serve as piloting surfaces for the cage.

A steel cage provides inward retention for the needle rollers, and the design assures roller stability and minimizes friction between the cage and the needle rollers. The cage has maximum strength consistent with the inherent high-load ratings of needle roller bearings.

Needle roller bearings of series NKJ, NQI, NKJS, NA48 and NA49 contain one needle roller and cage assembly. Bearings of series NA69, with bearing bores of 32.000 mm (1.2598 in) and above, have two needle roller and cage assemblies.

The outer ring has a lubricating groove and a lubricating hole for more convenient lubrication of the bearing. However, the smaller bearings of series **NKJ** and **NK** (F<sub>w</sub> < 10 mm [0.3937 in]) do not have a lubricating groove or a lubricating hole.

**METRIC SERIES NEEDLE ROLLER BEARINGS WITH INSERTED END WASHERS**

Some metric series needle roller bearings have inserted end washers to provide axial retention of the needle roller and cage assembly. The radial needle roller and cage assemblies, consistent with other designs, provide inward and outward retention for the needle rollers.

**METRIC SERIES NEEDLE ROLLER BEARINGS WITHOUT FLANGES**

The radial needle roller and cage assembly, used in the metric series needle roller bearings without flanges, is slightly narrower than the inner and outer rings to ensure unobstructed operation. Separate end washers are required to provide axial retention of the radial needle roller and cage assembly. Wide needle roller bearings, using two needle roller and cage assemblies, have a lubricating groove and one lubricating hole in the outer ring to facilitate re-lubrication of the bearing. Narrow needle roller bearings do not have a lubricating groove or a lubricating hole in the outer ring.

**SEALED METRIC SERIES NEEDLE ROLLER BEARINGS OF DIMENSION SERIES 49**

Needle roller bearings of Series 49 are available with one or two integral lip-contact seals, as listed on page B-4-30. One seal is designated by suffix letters RS. Two seals are designated by .2RS. When combining sealed metric series needle roller bearings with inner rings, it is suggested to use inner rings, shown on pages B-2-28 and B-8-22, with designation JRZ because they are wider than the outer rings to ensure positive seal contact.

Sealed bearings are normally packed with a high quality lithium soap-based grease suitable up to 120° C (248° F) for short periods of operation.

The speed rating specified for sealed bearings listed in the bearing tables is based on operating conditions determined by testing. Optimum performance may be expected providing the bearing is properly installed with appropriate internal clearances and subjected to a load of low magnitude. Care should be taken that overheating will not occur, thus preventing breakdown of the grease and eventual bearing failure.

**METRIC SERIES FULL COMPLEMENT NEEDLE ROLLER BEARINGS**

Series NA and RNA 1000, 2000, 22000 and 3000 are available with possible options of extra wide and/or crowned inner ring raceways. Consult your representative for application details.

**BEARING MOUNTING**

**MOUNTING DIMENSIONS**

It is suggested that needle roller bearings are mounted in their housings with a clearance fit, if the load is stationary relative to the housing, or with a tight transition fit, if the load rotates relative to the housing. Table B4-3 lists the suggested tolerances for the housing bore and the shaft raceway for metric series bearings without inner rings. Table B4-4 lists the suggested shaft tolerances for the above two mounting conditions when the metric series bearings are used with inner rings. The suggested housing bore tolerances for metric series bearings with inner rings is the same as the housing bore tolerance listed in Table B4-3 for metric series bearings without inner rings. Other quality requirements for shafts and housings are given in the engineering section.

Other mounting dimensions may be required for special operating conditions such as:

1. Extremely heavy radial loads.
2. Shock loads.
3. Temperature gradient across bearing.
4. Housing material with heat expansion coefficient different than that of the bearing.
5. Oscillating motion applications.

**Table B4-3. Mounting tolerances for metric series bearings without inner ring**

Rotation conditions	Nominal housing bore diameter D	ISO tolerance zone for housing		Nominal shaft diameter F	ISO tolerance zone for shaft	
		caged	full		caged	full
Load stationary relative to housing	all diameters	H7 (J7)	J6	all diameters	<b>h6 (h5)</b>	<b>h5</b>
General work with larger clearance	all diameters	K7	—	all diameters	<b>g6</b>	—
Load rotates relative to housing	all diameters	N7	M6	all diameters	<b>f6</b>	<b>g5</b>

Care should be taken that the selected bearing internal clearance is appropriate for the operating conditions.

**Table B4-4. Shaft tolerances for metric series bearings with inner rings (use housing tolerance shown in Table B4-3)**

Rotation conditions	Nominal shaft diameter, d		ISO tolerance zone for shaft	
	mm in	mm in	caged	full
Load rotates relative to housing	all diameters		g6	h5 (h6)
Load stationary relative to housing	>	≤		
		<b>40.000</b> 1.5748	k6	k5
	<b>40.000</b> 1.5748	<b>100.000</b> 3.9370	m6	m5
	<b>100.000</b> 3.9370	<b>140.000</b> 5.5118	m6	m5
	<b>140.000</b> 5.5118	n6	n6	

Care should be taken that the selected bearing internal clearance is appropriate for the operating conditions.

Regardless of the fit of the bearing outer ring in the housing, the outer ring should be axially located by housing shoulders or other positive means. The bearing rings should closely fit against the shaft and housing shoulders and must not contact the fillet radius. The maximum shaft or housing fillet r<sub>a max</sub> should be no greater than the minimum bearing chamfer r<sub>s min</sub>, as shown in Table B4-5 on page B-4-10.

In order to permit mounting and dismounting of the shaft, the maximum diameter D<sub>1</sub> in Table B4-6 on page B-4-10 must not be exceeded. F<sub>w</sub> is shown in the bearing tables.

Needle roller bearings without flanges of series RNA0 and NAO must have the radial needle roller and cage assembly properly end-guided by shoulders, as shown in Table B4-7(1) on page B-4-11 and Table B4-7(2) on page B-4-12, or other suitable means, such as spring steel washers (SNSH) shown on page B-8-39. These end-guiding surfaces should be hardened and precision turned, or ground to minimize wear, and should properly fit against the outer rings and the inner rings to provide the desired end clearance for the needle roller and cage assembly.

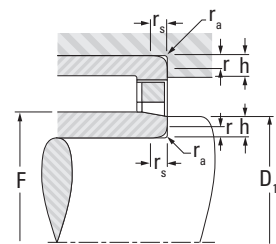


Fig. B4-7. Fillet

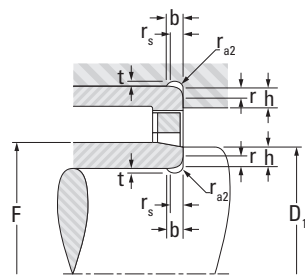


Fig. B4-8. Undercut

Table B4-5. Fillets, undercuts, and shoulder heights for metric series bearings

$r_s^{(1)}$	$r_a$	$t$	$r_{a2}$	$b$	$h$
Min.	Max.		Min.		Min.
mm in	mm in	mm in	mm in	mm in	mm in
0.15 0.0059	0.15 0.0059				0.6 0.0236
0.3 0.0118	0.3 0.0118				1 0.0394
0.6 0.0236	0.6 0.0236				2 0.0787
1 0.0394	1 0.0394	0.2 0.0079	1.3 0.0512	2 0.0787	2.5 0.0984
1.1 0.0433	1 0.0394	0.3 0.0118	2 0.0787	3 0.1181	3.25 0.1280
1.5 0.0591	1.5 0.0591	0.4 0.0158	2 0.0787	3.2 0.1260	4 0.1575
2 0.0787	2 0.0787	0.5 0.0197	2.5 0.0984	4 0.1575	5 0.1969
2.1 0.0827	2.1 0.0827	0.5 0.0197	3 0.1181	4.7 0.1850	5.5 0.2165
3 0.1181	2.5 0.0984	0.5 0.0197	3.5 0.1378	5.3 0.2087	6 0.2362

<sup>(1)</sup>  $r_s$  : Bearing component corner rounding.

Table B4-6. Shoulder diameter  $D_{1max}$  for metric series bearings

		mm in	mm in	mm in	mm in	mm in
Needle roller complement bore diameter $F_w$	>		20.000 0.7874	55.000 2.1653	100.000 3.9370	250.000 9.8425
	≤	20.000 0.7874	55.000 2.1653	100.000 3.9370	250.000 9.8425	
Diameter	$D_{1max}$	$F_w - 0.3$	$F_w - 0.5$	$F_w - 0.7$	$F_w - 1.0$	$F_w - 1.5$

LOAD RATING FACTORS

DYNAMIC LOADS

Needle roller bearings can accommodate only radial loads.

$$P = F_r \quad (\text{kN})$$

$P$  = The maximum dynamic radial load that may be applied to a needle roller bearing based on the dynamic load rating,  $C$ , given in the bearing tables. This load should be  $\leq C/3$ .

STATIC LOADS

Needle roller bearings can accommodate only radial loads.

$$P_0 = F_r \quad (\text{kN})$$

MOUNTING IN SETS

Radial needle roller and cage assemblies that are mounted side by side must have needle rollers of the same group limits to ensure uniform load distribution.

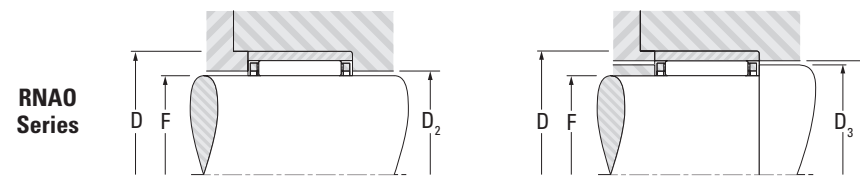


Fig. B4-9. Guidance in the housing (left) and on the shaft (right)

Table B4-7(1). Mounting dimensions for metric series needle roller bearings without flanges

Fx D	D <sub>3</sub>	D <sub>2</sub>	D <sub>5</sub>
Dimensions	Max.	Min.	Min.
mm in	mm in	mm in	mm in
10x17 0.3937x0.6693	12.7 0.5000	10.3 0.4055	13.3 0.5236
12x19 0.4724x0.7480	14.7 0.5787	12.3 0.4843	15.3 0.6024
14x22 0.5512x0.8661	17.6 0.6929	14.4 0.5669	18.3 0.7205
15x23 0.5906x0.9055	18.6 0.7323	15.4 0.6063	19.3 0.7598
16x24 0.6299x0.9499	19.6 0.7717	16.4 0.6457	20.3 0.7992
17x25 0.6693x0.9843	20.6 0.8110	17.4 0.6850	21.3 0.8386
18x26 0.7087x1.0236	21.6 0.8504	18.4 0.7244	22.3 0.8780
18x30 0.7087x1.1811	23.6 0.9291	18.6 0.7323	24.5 0.9646
20x28 0.7874x1.1024	23.6 0.9291	20.4 0.8032	24.3 0.9567
20x32 0.7874x1.2598	25.6 1.0079	20.6 0.8110	26.5 1.0433
22x30 0.8661x1.1811	25.6 1.0079	22.4 0.8819	26.3 0.9291
22x35 0.8661x1.3780	28.4 1.1181	22.8 0.8976	29.5 1.1614
25x35 0.9843x1.3780	29.4 1.1575	25.6 1.0079	30.5 1.2008
25x37 0.9843x1.4567	31.4 1.2362	25.8 1.0158	32.5 1.2795
28x40 1.1024x1.5748	34.4 1.3543	28.8 1.1339	35.5 1.3976
30x40 1.1811x1.5748	34.4 1.3543	30.6 1.2047	35.5 1.3976
30x42 1.1811x1.6535	36.4 1.4331	30.8 1.2126	37.5 1.4764
35x45 1.3780x1.7717	39.4 1.5512	35.6 1.4016	40.5 1.5945

Fx D	D <sub>3</sub>	D <sub>2</sub>	D <sub>5</sub>
Dimensions	Max.	Min.	Min.
mm in	mm in	mm in	mm in
35x47 1.3780x1.8504	41.4 1.6299	35.8 1.4096	42.5 1.6732
40x50 1.5748x1.9685	44.4 1.7480	40.6 1.5984	45.5 1.7913
40x55 1.5748x2.1654	47.2 1.8582	41 1.6142	48.5 1.9095
45x55 1.7717x2.1654	49.4 1.9449	45.6 1.7953	50.5 1.9882
45x62 1.7717x2.4409	52.2 2.0551	46 1.8110	53.5 2.1063
50x62 1.9685x2.4409	54.4 2.1417	50.6 1.9921	55.8 2.1969
50x65 1.9685x2.5591	57.2 2.2520	51 2.0079	58.8 2.3032
55x68 2.1654x2.6772	59.4 2.3386	55.6 2.1890	60.8 2.3937
55x72 2.1654x2.8347	62.2 2.4488	56 2.2047	63.8 2.5118
60x78 2.3622x3.0709	67.2 2.6457	61 2.4016	68.8 2.7087
65x85 2.5591x3.3465	72.2 2.8425	66 2.5984	73.8 2.9055
70x90 2.7559x3.5433	77.2 3.0394	71 2.7953	78.8 3.1024
75x95 2.9528x3.7402	82.2 3.2362	76 2.9921	84 3.3071
80x100 3.1496x3.9370	87.2 3.4331	81 3.1890	89 3.5039
85x105 3.3465x4.1339	92.2 3.6299	86 3.3858	94 3.7008
90x110 3.5433x4.3307	97.2 3.8268	91 3.5827	99 3.8976
95x115 3.7402x4.5276	102.2 4.0236	96 3.7795	104 4.0945
100x120 3.9370x4.7244	107.2 4.2205	101 3.9764	109 4.2913

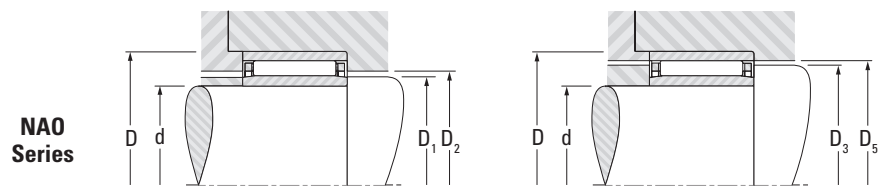


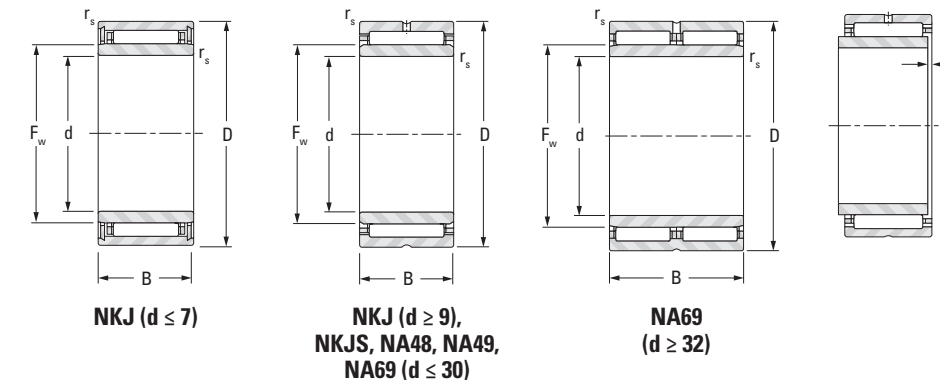
Fig. B4-10. Guidance in the housing (left) and on the shaft (right)

Table B4-7(2). Mounting dimensions for metric series needle roller bearings without flanges

dxD Dimensions mm in	Bearing series NAO				dxD Dimensions mm in	Bearing series NAO			
	D <sub>1</sub>		D <sub>2</sub>			D <sub>3</sub>		D <sub>5</sub>	
	Max.	Min.	Max.	Min.		Max.	Min.	Max.	Min.
<b>6x17</b> 0.2362x0.6693	9.7 0.3819	10.3 0.4055	12.7 0.5000	13.3 0.5236	<b>35x50</b> 1.3780x1.9685	39.5 1.5551	40.6 1.5984	44.4 1.748	45.5 1.7913
<b>8x19</b> 0.3150x0.7480	11.7 0.4606	12.3 0.4843	14.7 0.5787	15.3 0.6024	<b>35x55</b> 1.3780x2.1654	39.5 1.5551	41 1.6142	47.2 1.8583	48.5 1.9095
<b>10x22</b> 0.3937x0.8661	13.7 0.5394	14.4 0.5669	17.6 0.6929	18.3 0.7205	<b>40x55</b> 1.5748x2.1654	44.5 1.7520	45.6 1.7952	49.4 1.9449	50.5 1.9882
<b>10x26</b> 0.3937x1.0236	13.7 0.5394	14.6 0.5748	19.6 0.7717	20.3 0.7992	<b>40x62</b> 1.5748x2.4409	44.5 1.7520	46 1.8110	52.2 2.0551	53.5 2.1063
<b>12x24</b> 0.4724x0.9449	15.7 0.6181	16.4 0.6457	19.6 0.7717	20.3 0.7992	<b>45x62</b> 1.7717x2.4409	49.5 1.9488	50.6 1.9921	54.4 2.1417	55.8 2.1969
<b>12x28</b> 0.4724x1.1024	15.7 0.6181	16.6 0.6535	21.6 0.8504	22.3 0.878	<b>45x72</b> 1.7717x2.8347	54.5 2.1457	56 2.2047	62.2 2.4488	63.8 2.5118
<b>15x28</b> 0.5906x1.1024	19.5 0.7677	20.4 0.8032	23.6 0.9291	24.3 0.9567	<b>50x68</b> 1.9685x2.6772	54.5 2.1457	55.6 2.1890	59.4 2.3386	60.8 2.3937
<b>15x32</b> 0.5906x1.2598	19.5 0.7677	20.6 0.811	25.6 1.0079	26.5 1.0433	<b>50x78</b> 1.9685x3.0709	59.3 2.3347	61 2.4016	67.2 2.6457	68.8 2.7087
<b>17x30</b> 0.6693x1.1811	21.5 0.8465	22.4 0.8819	25.6 1.0079	26.3 1.0354	<b>55x85</b> 2.1654x3.3465	64.3 2.5315	66 2.5984	72.2 2.8425	73.8 2.9055
<b>17x35</b> 0.6693x1.3780	21.5 0.8465	22.8 0.8976	28.4 1.1181	29.5 1.1614	<b>60x90</b> 2.3622x3.5433	69.3 2.7284	71 2.7953	77.2 3.0394	78.8 3.1024
<b>20x35</b> 0.7874x1.3780	24.5 0.9646	25.6 1.0079	29.4 1.1575	30.5 1.2008	<b>65x95</b> 2.5591x3.7402	74.3 2.9252	76 2.9921	82.2 3.2362	84 3.3071
<b>20x37</b> 0.7874x1.4567	24.5 0.9646	25.8 1.0158	31.4 1.2362	32.5 1.2795	<b>70x100</b> 2.7559x3.9370	79.3 3.1221	81 3.1890	87.2 3.4331	89 3.5039
<b>25x40</b> 0.9843x1.5748	29.5 1.1614	30.6 1.2047	34.4 1.3543	35.5 1.3976	<b>75x105</b> 2.9528x4.1339	84.3 3.3189	86 3.3858	92.2 3.6299	94 3.7008
<b>25x42</b> 0.9843x1.6535	29.5 1.1614	30.8 1.2126	36.4 1.4331	37.5 1.4764	<b>80x110</b> 3.1496x4.3307	89.3 3.5158	91 3.5827	97.2 3.8268	99 3.8976
<b>30x45</b> 1.1811x1.7717	34.5 1.3583	35.6 1.4016	39.4 1.5512	40.5 1.5945	<b>85x115</b> 3.3465x4.5276	94.3 3.7126	96 3.7795	102.2 4.0236	104 4.0945
<b>30x47</b> 1.1811x1.8504	34.5 1.3583	35.8 1.4095	41.4 1.6299	42.5 1.6732	<b>90x120</b> 3.5433x4.7244	99.3 3.9095	101 3.9764	107.2 4.2205	109 4.2913

NEEDLE ROLLER BEARINGS WITH INNER RINGS

METRIC SERIES  
NKJ, NKJS, NA48  
NA49, NA69 SERIES



Shaft Dia. mm in	d mm in	D mm in	B mm in	F <sub>w</sub> mm in	r <sub>s min</sub> mm in	s <sup>(1)</sup> mm in	Bearing Designation	Load Ratings		Speed Rating		Approx. Wt. kg lbs
								Dynamic C	Static C <sub>0</sub>	Grease	Oil	
								kN lbf		min <sup>-1</sup>		
5 0.1969	5 0.1969	15 0.5906	12 0.472	8 0.315	0.3 0.012	1.5 0.059	NKJ5/12	4.57 1030	4.89 1100	26000	41000	0.014 0.031
	5 0.1969	15 0.5906	16 0.63	8 0.315	0.3 0.012	1.5 0.059	NKJ5/16	5.22 1170	5.78 1300	26000	41000	0.017 0.037
6 0.2362	6 0.2362	16 0.6299	12 0.472	9 0.3543	0.3 0.012	1.5 0.059	NKJ6/12	4.27 960	4.6 1030	26000	40000	0.015 0.033
	6 0.2362	16 0.6299	16 0.63	9 0.3543	0.3 0.012	1.5 0.059	NKJ6/16	5.57 1250	6.47 1450	26000	40000	0.019 0.042
7 0.2756	7 0.2756	17 0.6693	12 0.472	10 0.3937	0.3 0.012	1.5 0.059	NKJ7/12	5.4 1210	6.43 1450	25000	39000	0.017 0.037
	7 0.2756	17 0.6693	16 0.63	10 0.3937	0.3 0.012	1.5 0.059	NKJ7/16TN	5.3 1190	6.27 1410	25000	39000	0.021 0.046
9 0.3543	9 0.3543	19 0.748	12 0.472	12 0.4724	0.3 0.012	1.5 0.059	NKJ9/12	6.86 1540	7.6 1710	19000	30000	0.018 0.04
	9 0.3543	19 0.748	16 0.63	12 0.4724	0.3 0.012	1.5 0.059	NKJ9/16	6.78 1520	9.03 2030	19000	30000	0.024 0.053
10 0.3937	10 0.3937	22 0.8661	13 0.512	14 0.5512	0.3 0.012	1 0.039	NA4900	9.39 2110	10.3 2320	16000	24000	0.025 0.055
	10 0.3937	22 0.8661	16 0.63	14 0.5512	0.6 0.024	1.5 0.059	NKJ10/16	12.4 2790	14.8 3330	16000	24000	0.032 0.071
	10 0.3937	22 0.8661	20 0.787	14 0.5512	0.3 0.012	1.5 0.059	NKJ10/20	14.7 3300	18.4 4140	16000	24000	0.04 0.088
12 0.4724	12 0.4724	24 0.9449	13 0.512	16 0.6299	0.3 0.012	1 0.039	NA4901	10.5 2360	12 2700	18000	28000	0.028 0.062
	12 0.4724	24 0.9449	16 0.63	16 0.6299	0.3 0.012	1.5 0.059	NKJ12/16	13 2920	16.2 3640	18000	28000	0.036 0.079
	12 0.4724	24 0.9449	20 0.787	16 0.6299	0.3 0.012	1.5 0.059	NKJ12/20	15.4 3460	20.2 4540	18000	28000	0.046 0.101
	12 0.4724	24 0.9449	22 0.866	16 0.6299	0.3 0.012	1 0.039	NA6901	16.1 3620	21.3 4790	18000	28000	0.051 0.11
15 0.5906	15 0.5906	27 1.063	16 0.63	19 0.748	0.3 0.012	1.5 0.059	NKJ15/16	14.1 3170	19 4270	15000	24000	0.042 0.093
	15 0.5906	27 1.063	20 0.787	19 0.748	0.3 0.012	1.5 0.059	NKJ15/20	16.8 3780	23.6 5310	15000	24000	0.054 0.119
	15 0.5906	28 1.1024	13 0.512	20 0.7874	0.3 0.012	1 0.039	NA4902	11.8 2650	15.3 3440	14000	22000	0.037 0.082
	15 0.5906	28 1.1024	23 0.906	20 0.7874	0.3 0.012	1.5 0.059	NA6902	18.4 4140	26.9 6050	14000	22000	0.067 0.148
17 0.6693	17 0.6693	29 1.1417	16 0.63	21 0.8268	0.3 0.012	2 0.079	NKJ17/16	15.3 3440	21.6 4860	14000	21000	0.047 0.104

<sup>(1)</sup> Max. axial displacement

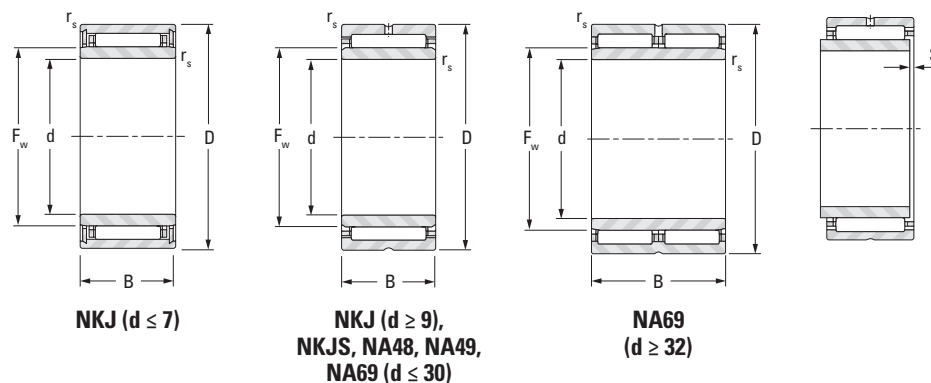
Continued on next page.



# NEEDLE ROLLER BEARINGS

## NEEDLE ROLLER BEARINGS WITH INNER RINGS

### METRIC SERIES NKJ, NKJS, NA48 NA49, NA69 SERIES



Shaft Dia.	d	D	B	F <sub>w</sub>	r <sub>s min</sub>	s <sup>(1)</sup>	Bearing Designation	Load Ratings		Speed Rating		Approx. Wt.
								Dynamic	Static	Grease Oil		
								C	C <sub>0</sub>	min <sup>-1</sup>		
mm in	mm in	mm in	mm in	mm in	mm in	mm in		kN lbf		min <sup>-1</sup>		kg lbs
17 0.6693	17 0.6693	29 1.1417	20 0.787	21 0.8268	0.3 0.012	1.5 0.059	NKJ17/20	18.1 4070	23.9 5370	14000	21000	0.059 0.13
	17 0.6693	30 1.1811	13 0.512	22 0.8661	0.3 0.012	1 0.039	NA4903	12.2 2740	16.4 3690	13000	20000	0.04 0.088
	17 0.6693	30 1.1811	23 0.906	22 0.8661	0.6 0.024	1 0.039	NA6903	19.8 4450	30.6 6880	13000	20000	0.084 0.185
	17 0.6693	37 1.4567	20 0.787	24 0.9449	0.6 0.024	1 0.039	NKJS17	29.1 6540	32.8 7370	13000	20000	0.108 0.238
20 0.7874	20 0.7874	32 1.2598	16 0.63	24 0.9449	0.3 0.012	1.5 0.059	NKJ20/16	16.2 3640	24.3 5460	12000	18000	0.053 0.117
	20 0.7874	32 1.2598	20 0.787	24 0.9449	0.3 0.012	1.5 0.059	NKJ20/20	19.3 4340	30.3 6810	12000	18000	0.067 0.148
	20 0.7874	37 1.4567	17 0.669	25 0.9843	0.3 0.012	1.5 0.059	NA4904	21.3 4790	25.5 5730	12000	18000	0.084 0.185
	20 0.7874	37 1.4567	30 1.181	25 0.9843	0.3 0.012	1.5 0.059	NA6904	36.6 8230	51 11500	12000	18000	0.133 0.293
	20 0.7874	42 1.6535	20 0.787	28 1.1024	0.6 0.024	1 0.039	NKJS20	30.3 6810	38.4 8630	11000	16000	0.13 0.287
22 0.8661	22 0.8661	34 1.3386	16 0.63	26 1.0236	0.3 0.012	1.5 0.059	NKJ22/16	16.6 3730	25.7 5780	11000	17000	0.058 0.128
	22 0.8661	34 1.3386	20 0.787	26 1.0236	0.3 0.012	2 0.079	NKJ22/20	19.7 4430	32 7190	11000	17000	0.071 0.157
	22 0.8661	39 1.5354	17 0.669	28 1.1024	0.3 0.012	1.5 0.059	NA49/22	23.3 5240	29.6 6650	10000	16000	0.089 0.196
	22 0.8661	39 1.5354	30 1.181	28 1.1024	0.3 0.012	1 0.039	NA69/22	30.6 6880	50.7 11400	10000	16000	0.163 0.359
25 0.9843	25 0.9843	38 1.4961	20 0.787	29 1.1417	0.3 0.012	2 0.079	NKJ25/20	23.4 5260	36.4 8180	9800	15000	0.086 0.19
	25 0.9843	38 1.4961	30 1.181	29 1.1417	0.3 0.012	2 0.079	NKJ25/30	29.8 6700	56.4 12700	9800	15000	0.13 0.287
	25 0.9843	42 1.6535	17 0.669	30 1.1811	0.3 0.012	1.5 0.059	NA4905	24.3 5460	31.7 7130	9700	15000	0.099 0.218
	25 0.9843	42 1.6535	30 1.181	30 1.1811	0.3 0.012	1.5 0.059	NA6905	39.7 8920	59.6 13400	9700	15000	0.178 0.392
	25 0.9843	47 1.8504	22 0.866	32 1.2598	0.6 0.024	1.5 0.059	NKJS25	36 8090	36.2 8140	9200	14000	0.174 0.384
28 1.1024	28 1.1024	42 1.6535	20 0.787	32 1.2598	0.3 0.012	2 0.079	NKJ28/20	24.8 5580	40.4 9080	8800	14000	0.104 0.229
	28 1.1024	42 1.6535	30 1.181	32 1.2598	0.3 0.012	2 0.079	NKJ28/30	35.6 8000	64.3 14500	8800	14000	0.156 0.344

<sup>(1)</sup> Max. axial displacement

# Heavy-Duty Needle Roller Bearings

Shaft Dia.	d	D	B	F <sub>w</sub>	r <sub>s min</sub>	s <sup>(1)</sup>	Bearing Designation	Load Ratings		Speed Rating		Approx. Wt.
								Dynamic	Static	Grease Oil		
								C	C <sub>0</sub>	min <sup>-1</sup>		
mm in	mm in	mm in	mm in	mm in	mm in	mm in		kN lbf		min <sup>-1</sup>		kg lbs
28 1.1024	28 1.1024	45 1.7717	17 0.669	32 1.2598	0.3 0.012	1.5 0.059	NA49/28	25.1 5640	33.8 7600	9000	14000	0.108 0.238
	28 1.1024	45 1.7717	30 1.181	32 1.2598	0.3 0.012	1.5 0.059	NA69/28	37.1 8340	55.4 12500	9000	14000	0.19 0.419
30 1.1811	30 1.1811	45 1.7717	20 0.787	35 1.378	0.3 0.012	1.5 0.059	NKJ30/20	26.1 5870	44.4 9980	8000	12000	0.12 0.265
	30 1.1811	45 1.7717	30 1.181	35 1.378	0.3 0.012	1.5 0.059	NKJ30/30	37.4 8410	70.6 15900	8000	12000	0.179 0.395
	30 1.1811	47 1.8504	17 0.669	35 1.378	0.3 0.012	1.5 0.059	NA4906	25.9 5820	36 8090	8200	13000	0.114 0.251
	30 1.1811	47 1.8504	30 1.181	35 1.378	0.3 0.012	1 0.039	NA6906	42.6 9580	68.2 15300	8200	13000	0.205 0.452
	30 1.1811	52 2.0472	22 0.866	37 1.4567	0.6 0.024	1.5 0.059	NKJS30	39 8770	53.4 12000	7900	12000	0.198 0.437
32 1.2598	32 1.2598	47 1.8504	20 0.787	37 1.4567	0.3 0.012	2 0.079	NKJ32/20	26.6 5980	46.4 10400	7600	12000	0.127 0.28
	32 1.2598	47 1.8504	30 1.181	37 1.4567	0.3 0.012	1.5 0.059	NKJ32/30	38.2 8590	73.9 16600	7600	12000	0.192 0.423
	32 1.2598	52 2.0472	20 0.787	40 1.5748	0.6 0.024	1.5 0.059	NA49/32	32 7190	49.3 11100	7100	11000	0.169 0.373
	32 1.2598	52 2.0472	36 1.417	40 1.5748	0.6 0.024	1 0.039	NA69/32	48.6 10900	84.5 19000	7100	11000	0.313 0.69
35 1.378	35 1.378	50 1.9685	20 0.787	40 1.5748	0.3 0.012	2 0.079	NKJ35/20	27.8 6250	50.4 11300	7000	11000	0.135 0.298
	35 1.378	50 1.9685	30 1.181	40 1.5748	0.3 0.012	1.5 0.059	NKJ35/30	40 8990	80.2 18000	7000	11000	0.208 0.459
	35 1.378	55 2.1654	20 0.787	42 1.6535	0.6 0.024	1.5 0.059	NA4907	32.8 7370	51.7 11600	6700	10000	0.179 0.395
	35 1.378	55 2.1654	36 1.417	42 1.6535	0.6 0.024	1 0.039	NA6907	49.9 11200	88.7 19900	6700	10000	0.34 0.75
	35 1.378	58 2.2835	22 0.866	43 1.6929	0.6 0.024	1 0.039	NKJS35	41.6 9350	60.7 13600	6700	10000	0.235 0.518
38 1.4961	38 1.4961	53 2.0866	20 0.787	43 1.6929	0.3 0.012	2 0.079	NKJ38/20	29 6520	54.4 12200	6400	9900	0.146 0.322
	38 1.4961	53 2.0866	30 1.181	43 1.6929	0.3 0.012	1.5 0.059	NKJ38/30	41.6 9350	86.6 19500	6400	9900	0.196 0.432
40 1.5748	40 1.5748	55 2.1654	20 0.787	45 1.7717	0.3 0.012	2 0.079	NKJ40/20	29.5 6630	56.4 12700	6100	9400	0.152 0.335
	40 1.5748	55 2.1654	30 1.181	45 1.7717	0.3 0.012	1.5 0.059	NKJ40/30	42.3 9510	89.8 20200	6100	9400	0.229 0.505
	40 1.5748	62 2.4409	22 0.866	48 1.8898	0.6 0.024	1.5 0.059	NA4908	44.2 9940	67.8 15200	5900	9100	0.248 0.547
	40 1.5748	62 2.4409	40 1.575	48 1.8898	0.6 0.024	1.5 0.059	NA6908	70.8 15900	124 27900	5900	9100	0.473 1.043
	40 1.5748	65 2.5591	22 0.866	50 1.9685	1 0.039	1 0.039	NKJS40	45.5 10200	71.3 16000	5700	8700	0.292 0.644
42 1.6535	42 1.6535	57 2.2441	20 0.787	47 1.8504	0.3 0.012	2 0.079	NKJ42/20	30 6740	58.5 13200	5900	9000	0.159 0.351
	42 1.6535	57 2.2441	30 1.181	47 1.8504	0.3 0.012	1.5 0.059	NKJ42/30	39.9 8970	84.1 18900	5900	9000	0.241 0.531
45 1.7717	45 1.7717	62 2.4409	25 0.984	50 1.9685	0.6 0.024	3 0.118	NKJ45/25	40.7 9150	79.3 17800	5500	8500	0.223 0.492

Continued on next page.

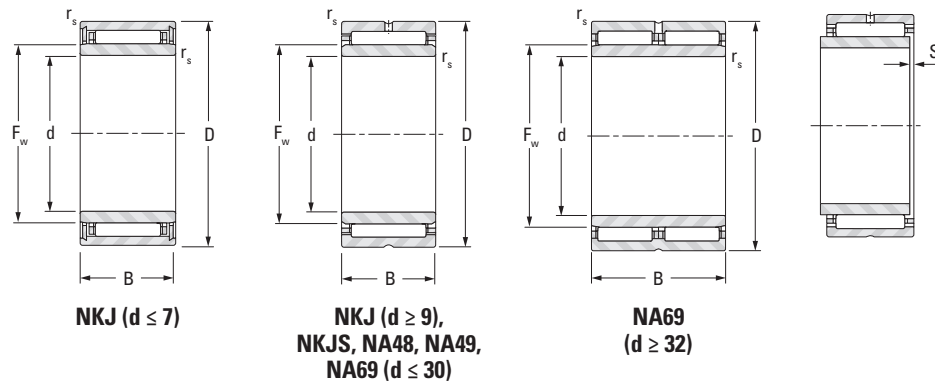




## NEEDLE ROLLER BEARINGS

### NEEDLE ROLLER BEARINGS WITH INNER RINGS

METRIC SERIES  
NKJ, NKJS, NA48  
NA49, NA69 SERIES



Shaft Dia.	d	D	B	F <sub>w</sub>	r <sub>s</sub> min	s <sup>(1)</sup>	Bearing Designation	Load Ratings		Speed Rating		Approx. Wt.
								Dynamic	Static	Grease	Oil	
								C	C <sub>0</sub>			
mm in	mm in	mm in	mm in	mm in	mm in	mm in		kN lbf	min <sup>-1</sup>	kg lbs		
45 1.7717	45 1.7717	62 2.4409	35 1.378	50 1.9685	0.6 0.024	3 0.118	NKJ45/35	55 12400	117 26300	5500	8500	0.345 0.761
	45 1.7717	68 2.6772	22 0.866	52 2.0472	0.6 0.024	2 0.079	NA4909	46.8 10500	74.8 16800	5400	8400	0.291 0.642
	45 1.7717	68 2.6772	40 1.575	52 2.0472	0.6 0.024	1.5 0.059	NA6909	74.7 16800	137 30800	5400	8400	0.55 1.232
	45 1.7717	72 2.8346	22 0.866	55 2.1654	1 0.039	1 0.039	NKJS45	47.9 10800	78.4 17600	5100	7900	0.36 0.794
50 1.9685	50 1.9685	68 2.6772	25 0.984	55 2.1654	0.6 0.024	3 0.118	NKJ50/25	46.1 10400	87.3 19600	5000	7800	0.288 0.635
	50 1.9685	68 2.6772	35 1.378	55 2.1654	0.6 0.024	3 0.118	NKJ50/35	62.3 14000	129 29000	5000	7800	0.406 0.895
	50 1.9685	72 2.8346	22 0.866	58 2.2835	0.6 0.024	2 0.079	NA4910	48.9 11000	82 18400	4800	7400	0.296 0.653
	50 1.9685	72 2.8346	40 1.575	58 2.2835	0.6 0.024	1.5 0.059	NA6910	75.7 17000	144 32400	4800	7400	0.577 1.272
	50 1.9685	80 3.1496	28 1.102	60 2.3622	1.1 0.043	1.5 0.059	NKJS50	66.9 15000	103 23200	4800	7300	0.523 1.153
55 2.1654	55 2.1654	72 2.8346	25 0.984	60 2.3622	0.6 0.024	3 0.118	NKJ55/25	44.3 9960	94 21100	4600	7000	0.29 0.639
	55 2.1654	72 2.8346	35 1.378	60 2.3622	0.6 0.024	3 0.118	NKJ55/35	59.9 13500	139 31200	4600	7000	0.41 0.904
	55 2.1654	80 3.1496	25 0.984	63 2.4803	1 0.039	2.5 0.098	NA4911	62 13900	107 24100	4500	6900	0.426 0.939
	55 2.1654	80 3.1496	45 1.772	63 2.4803	1 0.039	2.5 0.098	NA6911	94.2 21200	172 38700	4500	6900	0.8 1.764
	55 2.1654	85 3.3465	28 1.102	65 2.5591	1.1 0.043	1.5 0.059	NKJS55	71 16000	114 25600	4400	6700	0.569 1.254
60 2.3622	60 2.3622	82 3.2283	25 0.984	68 2.6772	0.6 0.024	2 0.079	NKJ60/25	49 11000	101 22700	4000	6200	0.44 0.97
	60 2.3622	82 3.2283	35 1.378	68 2.6772	0.6 0.024	2.5 0.098	NKJ60/35	66.2 14900	149 33500	4000	6200	0.52 1.146
	60 2.3622	85 3.3465	25 0.984	68 2.6772	1 0.039	1.5 0.059	NA4912	64.8 14600	116 26100	4100	6300	0.457 1.008
	60 2.3622	85 3.3465	45 1.772	68 2.6772	1 0.039	2 0.079	NA6912	99.3 22300	189 42500	4100	6400	0.829 1.828
	60 2.3622	90 3.5433	28 1.102	70 2.7559	1.1 0.043	1.5 0.059	NKJS60	72.6 16300	120 27000	4000	6200	0.607 1.338
65 2.5591	65 2.5591	90 3.5433	25 0.984	72 2.8346	1 0.039	1.5 0.059	NA4913	66 14800	121 27200	3900	5900	0.489 1.078

<sup>(1)</sup> Max. axial displacement

## Heavy-Duty Needle Roller Bearings

Shaft Dia.	d	D	B	F <sub>w</sub>	r <sub>s</sub> min	s <sup>(1)</sup>	Bearing Designation	Load Ratings		Speed Rating		Approx. Wt.
								Dynamic	Static	Grease	Oil	
								C	C <sub>0</sub>			
mm in	mm in	mm in	mm in	mm in	mm in	mm in		kN lbf	min <sup>-1</sup>	kg lbs		
65 2.5591	65 2.5591	90 3.5433	25 0.984	73 2.874	0.6 0.024	2 0.079	NKJ65/25	61.5 13800	119 26800	3800	5800	0.5 1.102
	65 2.5591	90 3.5433	35 1.378	73 2.874	0.6 0.024	2 0.079	NKJ65/35	82.5 18500	173 38900	3800	5800	0.69 1.521
	65 2.5591	90 3.5433	45 1.772	72 2.8346	1 0.039	2 0.079	NA6913	107 24100	213 47900	3900	6000	0.945 2.083
	65 2.5591	95 3.7402	28 1.102	75 2.9528	1.1 0.043	1.5 0.059	NKJS65	76.5 17200	132 29700	3700	5800	0.655 1.444
70 2.7559	70 2.7559	95 3.7402	25 0.984	80 3.1496	1 0.039	2 0.079	NKJ70/25	65 14600	131 29400	3400	5300	0.561 1.237
	70 2.7559	95 3.7402	35 1.378	80 3.1496	1 0.039	3.5 0.138	NKJ70/35	79.7 17900	184 41400	3400	5300	0.779 1.717
	70 2.7559	100 3.937	28 1.102	80 3.1496	1.1 0.043	1.5 0.059	NKJS70	80.1 18000	143 32100	3500	5400	0.772 1.702
	70 2.7559	100 3.937	30 1.181	80 3.1496	1 0.039	2.5 0.098	NA4914	86.3 19400	157 35300	3500	5400	0.772 1.702
	70 2.7559	100 3.937	54 2.126	80 3.1496	1 0.039	2 0.079	NA6914	137 30800	286 64300	3500	5400	1.45 3.197
75 2.9528	75 2.9528	105 4.1339	25 0.984	85 3.3465	1 0.039	2 0.079	NKJ75/25	76.4 17200	137 30800	3300	5000	0.64 1.411
	75 2.9528	105 4.1339	30 1.181	85 3.3465	1 0.039	2.5 0.098	NA4915	92.4 20800	175 39300	3300	5000	0.817 1.801
	75 2.9528	105 4.1339	32 1.26	90 3.5433	1.1 0.043	1.5 0.059	NKJS75	91.5 20600	176 39600	3100	4700	1.06 2.337
	75 2.9528	105 4.1339	35 1.378	85 3.3465	1 0.039	2 0.079	NKJ75/35	108 24300	214 48100	3300	5000	1.05 2.315
	75 2.9528	105 4.1339	54 2.126	85 3.3465	1 0.039	2 0.079	NA6915	143 32100	308 69200	3300	5000	1.554 3.426
80 3.1496	80 3.1496	110 4.3307	25 0.984	90 3.5433	1 0.039	2 0.079	NKJ80/25	79.5 17900	147 33000	3100	4700	0.79 1.742
	80 3.1496	110 4.3307	30 1.181	90 3.5433	1 0.039	2.5 0.098	NA4916	91.5 20600	176 39600	3100	4700	0.862 1.9
	80 3.1496	110 4.3307	32 1.26	95 3.7402	1.1 0.043	2 0.079	NKJS80	95.1 21400	188 42300	2900	4500	1.14 2.513
	80 3.1496	110 4.3307	35 1.378	90 3.5433	1 0.039	2 0.079	NKJ80/35	113 25400	230 51700	3100	4700	0.98 2.161
	80 3.1496	110 4.3307	54 2.126	90 3.5433	1 0.039	2 0.079	NA6916	126 28300	320 71900	3000	4700	1.615 3.56
85 3.3465	85 3.3465	115 4.5276	26 1.024	95 3.7402	1 0.039	3 0.118	NKJ85/26	49.3 11100	114 25600	2800	4400	0.862 1.9
	85 3.3465	115 4.5276	36 1.417	95 3.7402	1 0.039	2 0.079	NKJ85/36	114 25600	238 53500	2800	4400	1.04 2.293
	85 3.3465	120 4.7244	35 1.378	100 3.937	1.1 0.043	2.5 0.098	NA4917	110 24700	230 51700	2800	4200	1.31 2.888
	85 3.3465	120 4.7244	63 2.48	100 3.937	1.1 0.043	2 0.079	NA6917	150 33700	416 93500	2700	4200	2.427 5.351
90 3.5433	90 3.5433	120 4.7244	26 1.024	100 3.937	1 0.039	3 0.118	NKJ90/26	83.6 18800	163 36600	2800	4200	0.78 1.72
	90 3.5433	120 4.7244	36 1.417	100 3.937	1 0.039	2.5 0.098	NKJ90/36	118 26500	254 57100	2800	4200	1.08 2.381
	90 3.5433	125 4.9213	35 1.378	105 4.1339	1.1 0.043	2.5 0.098	NA4918	114 25600	245 55100	2600	4000	1.37 3.02

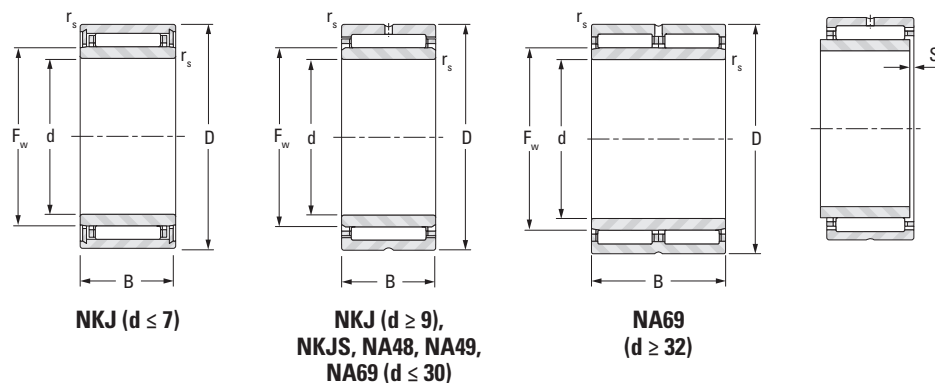
Continued on next page.



# NEEDLE ROLLER BEARINGS

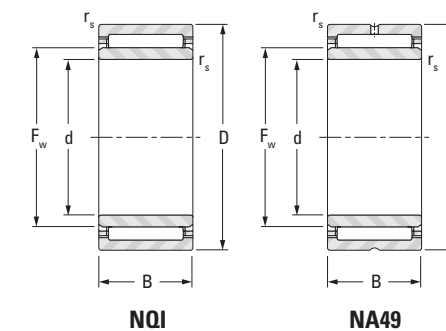
## NEEDLE ROLLER BEARINGS WITH INNER RINGS

METRIC SERIES  
NKJ, NKJS, NA48  
NA49, NA69 SERIES



## NEEDLE ROLLER BEARINGS WITH INNER RINGS

METRIC SERIES  
NQI, NA49 SERIES



Shaft Dia.	d	D	B	F <sub>w</sub>	r <sub>s min</sub>	s <sup>(1)</sup>	Bearing Designation	Load Ratings		Speed Rating		Approx. Wt.
								Dynamic	Static	Speed Rating		
								C	C <sub>0</sub>	Grease	Oil	
mm in	mm in	mm in	mm in	mm in	mm in	mm in		kN lbf		min <sup>-1</sup>		kg lbs
90 3.5433	90 3.5433	125 4.9213	63 2.48	105 4.1339	1.1 0.043	2 0.079	NA6918	175 39300	427 96000	2600	4000	2.64 5.82
95 3.7402	95 3.7402	125 4.9213	26 1.024	105 4.1339	1 0.039	2.5 0.098	NKJ95/26	52.2 11700	127 28600	2600	3900	0.935 2.061
	95 3.7402	125 4.9213	36 1.417	105 4.1339	1 0.039	3.5 0.138	NKJ95/36	72.8 16400	195 43800	2600	3900	1.3 2.866
	95 3.7402	130 5.1181	35 1.378	110 4.3307	1.1 0.043	2.5 0.098	NA4919	115 25900	253 56900	2500	3800	1.43 3.153
	95 3.7402	130 5.1181	63 2.48	110 4.3307	1.1 0.043	2 0.079	NA6919	158 35500	458 103000	2500	3800	2.67 5.88
100 3.937	100 3.937	130 5.1181	30 1.181	110 4.3307	1.1 0.043	2 0.079	NKJ100/30	103 23200	220 49500	2500	3800	0.984 2.169
	100 3.937	130 5.1181	40 1.575	110 4.3307	1.1 0.043	2 0.079	NKJ100/40	132 29700	301 67700	2500	3800	1.41 3.109
	100 3.937	135 5.315	32 1.26	115 4.5276	1.1 0.043	2 0.079	NKJS100	104 23400	226 50800	2400	3700	2.01 4.431
	100 3.937	140 5.5118	40 1.575	115 4.5276	1.1 0.043	3.5 0.138	NA4920	139 31200	296 66500	2400	3700	2.01 4.431
110 4.3307	110 4.3307	140 5.5118	30 1.181	120 4.7244	1 0.039	0.5 0.02	NA4822	90.3 20300	230 51700	2300	3500	1.21 2.668
	110 4.3307	150 5.9055	40 1.575	125 4.9213	1.1 0.043	3.5 0.138	NA4922	147 33000	325 73100	2200	3400	2.19 4.828
120 4.7244	120 4.7244	150 5.9055	30 1.181	130 5.1181	1 0.039	0.5 0.02	NA4824	94.2 21200	249 56000	2100	3200	1.31 2.888
	120 4.7244	165 6.4961	45 1.772	135 5.315	1.1 0.043	3.5 0.138	NA4924	177 39800	407 91500	2000	3100	3.04 6.702
130 5.1181	130 5.1181	165 6.4961	35 1.378	145 5.7087	1.1 0.043	1 0.039	NA4826	112 25200	323 72600	1900	2900	1.99 4.387
	130 5.1181	180 7.0866	50 1.969	150 5.9055	1.5 0.059	3 0.118	NA4926	201 45200	495 111000	1800	2800	4.14 9.127
140 5.5118	140 5.5118	175 6.8898	35 1.378	155 6.1024	1.1 0.043	1 0.039	NA4828	116 26100	346 77800	1700	2700	2.12 4.674
	140 5.5118	190 7.4803	50 1.969	160 6.2992	1.5 0.059	3 0.118	NA4928	214 48100	549 123000	1700	2600	4.41 9.72
150 5.9055	150 5.9055	190 7.4803	40 1.575	165 6.4961	1.1 0.043	2 0.079	NA4830	142 31900	402 90400	1600	2500	2.7 5.952
160 6.2992	160 6.2992	200 7.874	40 1.575	175 6.8898	1.1 0.043	2 0.079	NA4832	146 32800	425 95500	1500	2400	3.15 6.944

<sup>(1)</sup> Max. axial displacement

Shaft Dia.	d	D	B	F <sub>w</sub>	r <sub>s min</sub>	s <sup>(1)</sup>	Bearing Designation	Load Ratings		Speed Rating		Approx. Wt.
								Dynamic	Static	Speed Rating		
								C	C <sub>0</sub>	Grease	Oil	
mm in	mm in	mm in	mm in	mm in	mm in	mm in		kN lbf		min <sup>-1</sup>		kg lbs
12 0.4724	12	24	13	16	0.3	—	NA4901C3	8.65	11.1	—	28000	0.027
20 0.7874	20	32	20	24	0.3	—	NQI203220AD	17.4	26.5	—	18000	0.062
	20	37	17	25	0.3	—	NA4904NA	16.2	21.5	—	18000	0.083
25 0.9843	25	44	25	30	0.3	—	25NQI4425A	36.6	49.6	—	15000	0.161
30 1.1811	30	47	17	35	0.3	—	NA4906D	20.2	31.9	—	12000	0.110
38 1.4961	38	53	30	43	0.6	—	NQI38/30	41.3	85.9	—	9900	0.212

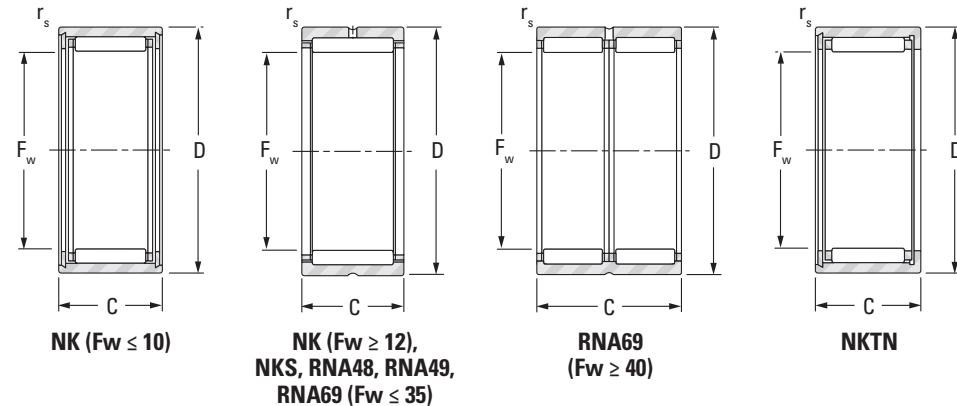
<sup>(1)</sup> Max. axial displacement



# NEEDLE ROLLER BEARINGS

## NEEDLE ROLLER BEARINGS WITHOUT INNER RINGS

**METRIC SERIES  
NK, NKS, RNA48, RNA49  
RNA69, NKTN SERIES**



Shaft Dia.	F <sub>w</sub>	D	C	r <sub>s min</sub>	Bearing Designation	Load Ratings		Speed Rating		Approx. Wt.
						Dynamic	Static	Grease	Oil	
						C	C <sub>0</sub>			
mm in	mm in	mm in	mm in	mm in		kN lbf	min <sup>-1</sup>		kg lbs	
5 0.1969	5 0.1969	10 0.3937	10 0.394	0.2 0.006	NK5/10TN	2.18 490	1.71 384	31000	47000	0.004 0.009
	5 0.1969	10 0.3937	12 0.472	0.2 0.006	NK5/12TN	3.04 683	2.63 591	31000	47000	0.004 0.009
6 0.2362	6 0.2362	12 0.4724	10 0.394	0.2 0.006	NK6/10	3.19 717	2.9 652	29000	44000	0.005 0.011
	6 0.2362	12 0.4724	12 0.472	0.2 0.006	NK6/12TN	3.07 690	2.74 616	29000	44000	0.006 0.013
7 0.2756	7 0.2756	14 0.5512	10 0.394	0.3 0.012	NK7/10TN	2.74 616	2.44 549	28000	42000	0.007 0.015
	7 0.2756	14 0.5512	12 0.472	0.3 0.012	NK7/12TN	3.4 764	3.22 724	28000	42000	0.009 0.020
8 0.315	8 0.315	15 0.5906	12 0.472	0.3 0.012	NK8/12	4.57 1030	4.89 1100	26000	41000	0.011 0.024
	8 0.315	15 0.5906	12 0.472	0.3 0.012	NK8/12ASR1	4.57 1030	4.89 1100	26000	41000	0.011 0.024
8 0.315	8 0.315	15 0.5906	16 0.63	0.3 0.012	NK8/16	5.22 1170	5.78 1300	26000	41000	0.013 0.029
	9 0.3543	9 0.3543	16 0.472	0.3 0.012	NK9/12	4.27 960	4.6 1030	26000	40000	0.012 0.026
9 0.3543	9 0.3543	16 0.6299	16 0.63	0.3 0.012	NK9/16	5.57 1250	6.47 1450	26000	40000	0.015 0.033
	10 0.3937	10 0.3937	17 0.6693	12 0.472	NK10/12	5.4 1210	6.43 1450	25000	39000	0.013 0.029
10 0.3937	10 0.3937	17 0.6693	16 0.63	0.3 0.012	NK10/16TN	5.3 1190	6.27 1410	25000	39000	0.015 0.033
	12 0.4724	12 0.4724	19 0.748	12 0.472	NK12/12	6.86 1540	7.6 1710	19000	30000	0.013 0.029
12 0.4724	12 0.4724	19 0.748	16 0.63	0.3 0.012	NK12/16	6.78 1520	9.03 2030	24000	37000	0.018 0.040
	14 0.5512	14 0.5512	22 0.8661	13 0.512	RNA4900	9.39 2110	10.3 2320	16000	24000	0.018 0.040
14 0.5512	14 0.5512	22 0.8661	16 0.63	0.3 0.012	NK14/16	12.4 2790	14.8 3330	16000	24000	0.023 0.051
	14 0.5512	22 0.8661	20 0.787	0.3 0.012	NK14/20	14.7 3300	18.4 4140	16000	24000	0.028 0.060
15 0.5906	15 0.5906	23 0.9055	16 0.63	0.3 0.012	NK15/16	12.4 2790	15 3370	15000	24000	0.024 0.053
	15 0.5906	23 0.9055	20 0.787	0.3 0.012	NK15/20	14.7 3300	18.6 4180	15000	24000	0.031 0.068
16 0.6299	16 0.6299	24 0.9449	13 0.512	0.3 0.012	RNA4901	10.5 2360	12.3 2770	18000	28000	0.020 0.044
	16 0.6299	24 0.9449	16 0.63	0.3 0.012	NK16/16	15.4 3460	20.2 4540	18000	28000	0.025 0.055

# Heavy-Duty Needle Roller Bearings

Shaft Dia.	F <sub>w</sub>	D	C	r <sub>s min</sub>	Bearing Designation	Load Ratings		Speed Rating		Approx. Wt.
						Dynamic	Static	Grease	Oil	
						C	C <sub>0</sub>			
mm in	mm in	mm in	mm in	mm in		kN lbf	min <sup>-1</sup>		kg lbs	
16 0.6299	16 0.6299	24 0.9449	20 0.787	0.3 0.012	NK16/20	16.1 3620	21.3 4790	18000	28000	0.036 0.079
	16 0.6299	24 0.9449	22 0.866	0.3 0.012	RNA6901	16.1 3620	21.3 4790	18000	28000	0.036 0.079
17 0.6693	17 0.6693	25 0.9843	16 0.63	0.3 0.012	NK17/16	13.6 3060	17.5 3930	17000	27000	0.027 0.060
	17 0.6693	25 0.9843	20 0.787	0.3 0.012	NK17/20	15.4 3460	20.4 4590	17000	27000	0.034 0.075
18 0.7087	18 0.7087	26 1.0236	16 0.63	0.3 0.012	NK18/16	13.6 3060	17.7 3980	16000	25000	0.028 0.062
	18 0.7087	26 1.0236	20 0.787	0.3 0.012	NK18/20	16.1 3620	22 4950	16000	25000	0.035 0.077
19 0.748	19 0.748	27 1.063	16 0.63	0.3 0.012	NK19/16	14.1 3170	19 4270	15000	24000	0.029 0.064
	19 0.748	27 1.063	20 0.787	0.3 0.012	NK19/20	18.8 4230	23.6 5310	15000	24000	0.037 0.082
20 0.7874	19 0.748	30 1.1811	16 0.63	0.3 0.012	NKS18	15.9 3570	16.2 3640	17000	26000	0.045 0.099
	20 0.7874	28 1.1024	13 0.512	0.3 0.012	RNA4902	11.8 2650	15.3 3440	14000	22000	0.023 0.051
20 0.7874	20 0.7874	28 1.1024	16 0.63	0.3 0.012	NK20/16	14.1 3170	19.1 4290	14000	22000	0.030 0.066
	20 0.7874	28 1.1024	20 0.787	0.3 0.012	NK20/20	17.5 3930	25.3 5690	14000	22000	0.038 0.084
20 0.7874	20 0.7874	28 1.1024	23 0.906	0.3 0.012	RNA6902	18.4 4140	26.9 6050	14000	22000	0.042 0.093
	20 0.7874	32 1.2598	20 0.787	0.6 0.024	NKS20	24.4 5490	26.7 6000	15000	24000	0.058 0.128
21 0.8268	21 0.8268	29 1.1417	16 0.63	0.3 0.012	NK21/16	15.3 3440	21.6 4860	14000	21000	0.032 0.071
	21 0.8268	29 1.1417	20 0.787	0.3 0.012	NK21/20	18.1 4070	26.9 6050	14000	21000	0.040 0.088
22 0.8661	22 0.8661	30 1.1811	13 0.512	0.3 0.012	RNA4903	12.2 2740	16.4 3690	13000	20000	0.025 0.055
	22 0.8661	30 1.1811	16 0.63	0.3 0.012	NK22/16	15.2 3420	21.7 4880	13000	20000	0.033 0.073
22 0.8661	22 0.8661	30 1.1811	20 0.787	0.3 0.012	NK22/20	18 4050	27 6070	13000	20000	0.041 0.090
	22 0.8661	30 1.1811	23 0.906	0.3 0.012	RNA6903	19.8 4450	30.6 6880	13000	20000	0.056 0.123
22 0.8661	22 0.8661	35 1.378	20 0.787	0.6 0.024	NKS22	22.9 5150	27.1 6090	14000	21000	0.069 0.152
	24 0.9449	24 0.9449	32 1.2598	16 0.63	NK24/16	16.2 3640	24.3 5460	12000	18000	0.035 0.077
24 0.9449	24 0.9449	32 1.2598	20 0.787	0.3 0.012	NK24/20	19.3 4340	30.3 6810	12000	18000	0.045 0.099
	24 0.9449	37 1.4567	20 0.787	0.6 0.024	NKS24	29.1 6540	32.8 7370	13000	20000	0.073 0.161
25 0.9843	25 0.9843	33 1.2992	16 0.63	0.3 0.012	NK25/16	16.1 3620	24.4 5490	11000	17000	0.037 0.082
	25 0.9843	33 1.2992	20 0.787	0.3 0.012	NK25/20	19.1 4290	30.4 6830	11000	17000	0.047 0.104
25 0.9843	25 0.9843	37 1.4567	17 0.669	0.3 0.012	RNA4904	21.3 4790	25.5 5730	12000	18000	0.061 0.134
	25 0.9843	37 1.4567	30 1.181	0.3 0.012	RNA6904	36.6 8230	51 11500	12000	18000	0.091 0.201

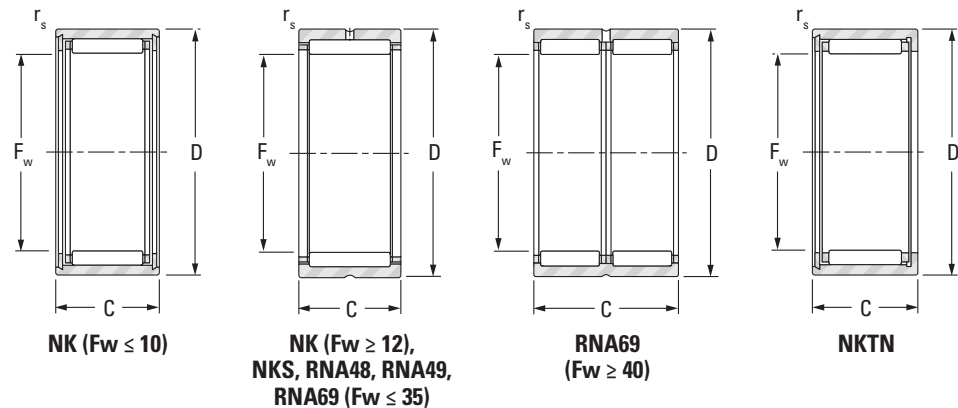
Continued on next page.



# NEEDLE ROLLER BEARINGS

## NEEDLE ROLLER BEARINGS WITHOUT INNER RINGS

**METRIC SERIES**  
NK, NKS, RNA48, RNA49  
RNA69, NKTN SERIES



Shaft Dia.	F <sub>w</sub>	D	C	r <sub>s min</sub>	Bearing Designation	Load Ratings		Speed Rating		Approx. Wt.
						Dynamic	Static	Grease	Oil	
						C	C <sub>0</sub>			
mm in	mm in	mm in	mm in	mm in		kN lbf	min <sup>-1</sup>		kg lbs	
25 0.9843	25 0.9843	38 1.4961	20 0.787	0.6 0.024	NKS25	29.1 6540	33 7420	12000	19000	0.076 0.168
26 1.0236	26 1.0236	34 1.3386	16 0.63	0.3 0.012	NK26/16	16.6 3730	25.7 5780	11000	17000	0.039 0.086
28 1.1024	28 1.1024	37 1.4567	20 0.787	0.3 0.012	NK28/20	22.6 5080	34.4 7730	10000	16000	0.057 0.126
28 1.1024	28 1.1024	39 1.5354	17 0.669	0.3 0.012	RNA49/22	23.3 5240	29.6 6650	10000	16000	0.059 0.130
28 1.1024	28 1.1024	42 1.6535	20 0.787	0.6 0.024	NKS28	30.3 6810	38.4 8630	11000	16000	0.094 0.207
29 1.1417	29 1.1417	38 1.4961	30 1.181	0.3 0.012	NK29/30	29.8 6700	56.4 12700	9700	15000	0.090 0.198
30 1.1811	30 1.1811	40 1.5748	30 1.181	0.3 0.012	NK30/30	34.7 7800	61 13700	9500	15000	0.107 0.236
30 1.1811	30 1.1811	42 1.6535	30 1.181	0.3 0.012	RNA6905	39.7 8920	59.6 13400	9700	15000	0.127 0.280
32 1.2598	32 1.2598	42 1.6535	20 0.787	0.3 0.012	NK32/20	24.8 5580	40.4 9080	8800	14000	0.074 0.163
32 1.2598	32 1.2598	45 1.7717	17 0.669	0.3 0.012	RNA49/28	25.1 5640	33.8 7600	9000	14000	0.080 0.176
32 1.2598	32 1.2598	47 1.8504	22 0.866	0.6 0.024	NKS32	36 8090	46.2 10400	9200	14000	0.120 0.265
35 1.378	35 1.378	45 1.7717	30 1.181	0.3 0.012	NK35/30	37.4 8410	70.6 15900	8000	12000	0.122 0.269

# Heavy-Duty Needle Roller Bearings

Shaft Dia.	F <sub>w</sub>	D	C	r <sub>s min</sub>	Bearing Designation	Load Ratings		Speed Rating		Approx. Wt.
						Dynamic	Static	Grease	Oil	
						C	C <sub>0</sub>			
mm in	mm in	mm in	mm in	mm in		kN lbf	min <sup>-1</sup>		kg lbs	
35 1.378	35 1.378	47 1.8504	18 0.709	0.3 0.012	RNA4906	25.9 5820	36 8090	8200	13000	0.081 0.179
37 1.4567	37 1.4567	47 1.8504	22 0.866	0.6 0.024	NKS35	37.5 8430	49.9 11200	8400	13000	0.130 0.287
37 1.4567	37 1.4567	47 1.8504	30 1.181	0.3 0.012	NK37/30	38.2 8590	73.9 16600	7600	12000	0.128 0.282
38 1.4961	38 1.4961	48 1.8898	20 0.787	0.3 0.012	NK38/20	21.7 4880	40.9 9190	7300	11000	0.087 0.192
40 1.5748	40 1.5748	50 1.9685	20 0.787	0.3 0.012	NK40/20	27.8 6250	50.4 11300	7000	11000	0.089 0.196
40 1.5748	40 1.5748	52 2.0472	20 0.787	0.6 0.024	RNA49/32	32 7190	49.3 11100	7100	11000	0.100 0.220
40 1.5748	40 1.5748	55 2.1654	22 0.866	0.6 0.024	NKS40	40.3 9060	57 12800	7200	11000	0.140 0.309
42 1.6535	42 1.6535	52 2.0472	30 1.181	0.3 0.012	NK42/30	40.7 9150	83.5 18800	6600	10000	0.141 0.311
42 1.6535	42 1.6535	55 2.1654	36 1.417	0.6 0.024	RNA6907	49.9 11200	88.7 19900	6700	10000	0.218 0.481
43 1.6929	43 1.6929	53 2.0866	30 1.181	0.3 0.012	NK43/30	41.6 9350	86.6 19500	6400	9900	0.134 0.295
45 1.7717	45 1.7717	55 2.1654	20 0.787	0.3 0.012	NK45/20	29.5 6630	56.4 12700	6100	9400	0.100 0.220
45 1.7717	45 1.7717	60 2.3622	22 0.866	0.6 0.024	NKS45	43 9670	64.2 14400	6400	9800	0.156 0.344
47 1.8504	47 1.8504	57 2.2441	30 1.181	0.3 0.012	NK47/30	43 9670	93.1 20900	5900	9000	0.158 0.348
48 1.8898	48 1.8898	62 2.4409	22 0.866	0.6 0.024	RNA6908	70.8 15900	124 27900	5900	9100	0.300 0.661

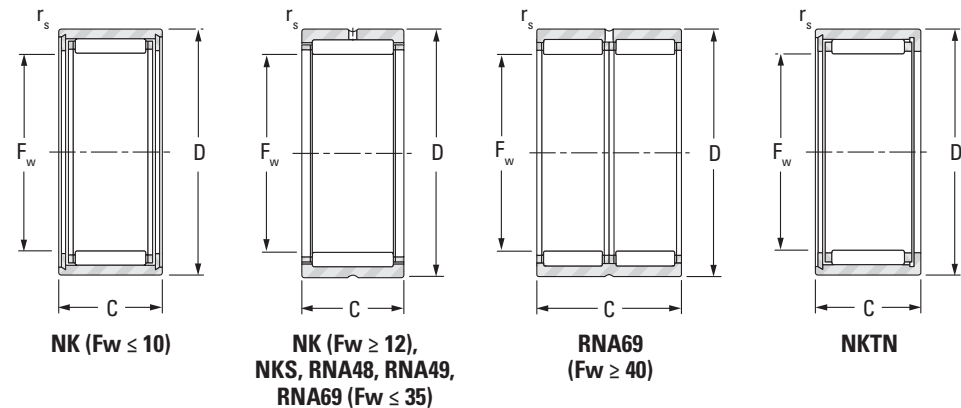
Continued on next page.



# NEEDLE ROLLER BEARINGS

## NEEDLE ROLLER BEARINGS WITHOUT INNER RINGS

**METRIC SERIES**  
**NK, NKS, RNA48, RNA49**  
**RNA69, NKTN SERIES**



Shaft Dia.	F <sub>w</sub>	D	C	r <sub>s</sub> min	Bearing Designation	Load Ratings		Speed Rating		Approx. Wt.
						Dynamic	Static	Grease	Oil	
						C	C <sub>0</sub>			
mm in	mm in	mm in	mm in	mm in		kN lbf	min <sup>-1</sup>		kg lbs	
50 1.9685	50 1.9685	62 2.4409	35 1.378	0.6 0.024	NK50/35	55 12400	117 26300	5500	8500	0.242 0.534
	50 1.9685	65 2.5591	22 0.866	1 0.039	NKS50	45.5 10200	71.3 16000	5700	8700	0.170 0.375
52 2.0472	52 2.0472	68 2.6772	22 0.866	0.6 0.024	RNA4909	46.8 10500	74.8 16800	5400	8400	0.201 0.443
	52 2.0472	68 2.6772	40 1.575	0.6 0.024	RNA6909	74.7 16800	137 30800	5400	8400	0.392 0.864
55 2.1654	55 2.1654	68 2.6772	25 0.984	0.6 0.024	NK55/25	46.1 10400	87.3 19600	5000	7800	0.207 0.456
	55 2.1654	68 2.6772	35 1.378	0.6 0.024	NK55/35	62.3 14000	129 29000	5000	7800	0.293 0.646
	55 2.1654	72 2.8346	22 0.866	1 0.039	NKS55	47.9 10800	78.4 17600	5100	7900	0.225 0.496
58 2.2835	58 2.2835	72 2.8346	22 0.866	0.6 0.024	RNA4910	48.9 11000	82 18400	4800	7400	0.179 0.395
	58 2.2835	72 2.8346	40 1.575	0.6 0.024	RNA6910	75.7 17000	144 32400	4800	7400	0.364 0.802
60 2.3622	60 2.3622	72 2.8346	25 0.984	0.6 0.024	NK60/25	44.3 9960	94 21100	4400	7000	0.202 0.445
	60 2.3622	72 2.8346	35 1.378	0.6 0.024	NK60/35	59.9 13500	139 31200	4400	7000	0.286 0.631
	60 2.3622	80 3.1496	28 1.102	1.1 0.043	NKS60	66.9 15000	103 23200	4800	7300	0.337 0.743
63 2.4803	63 2.4803	80 3.1496	25 0.984	1 0.039	RNA4911	62 13900	107 24100	4500	6900	0.285 0.628
	63 2.4803	80 3.1496	45 1.772	1 0.039	RNA6911	94.2 21200	172 38700	4500	6900	0.540 1.190
65 2.5591	65 2.5591	78 3.0709	25 0.984	0.6 0.024	NK65/25	48.2 10800	97.7 22000	4200	6500	0.257 0.567
	65 2.5591	78 3.0709	35 1.378	0.6 0.024	NK65/35	65.2 14700	144 32400	4200	6500	0.298 0.657
	65 2.5591	85 3.3465	28 1.102	1.1 0.043	NKS65	71 16000	114 25600	4200	6700	0.362 0.798
68 2.6772	68 2.6772	82 3.2283	25 0.984	0.6 0.024	NK68/25	49 11000	101 22700	4000	6200	0.287 0.633
	68 2.6772	82 3.2283	35 1.378	0.6 0.024	NK68/35	66.2 14900	149 33500	4000	6200	0.350 0.772
	68 2.6772	85 3.3465	25 0.984	1 0.039	RNA4912	64.8 14600	116 26100	4100	6300	0.304 0.670
	68 2.6772	85 3.3465	45 1.772	1 0.039	RNA6912	99.3 22300	189 42500	4100	6300	0.546 1.204
70 2.7559	70 2.7559	85 3.3465	25 0.984	0.6 0.024	NK70/25	43.6 9800	87.9 19800	3900	6000	0.298 0.657

# Heavy-Duty Needle Roller Bearings

Shaft Dia.	F <sub>w</sub>	D	C	r <sub>s</sub> min	Bearing Designation	Load Ratings		Speed Rating		Approx. Wt.
						Dynamic	Static	Grease	Oil	
						C	C <sub>0</sub>			
mm in	mm in	mm in	mm in	mm in		kN lbf	min <sup>-1</sup>		kg lbs	
70 2.7559	70 2.7559	85 3.3465	35 1.378	0.6 0.024	NK70/35	62.2 14000	139 31200	3900	6000	0.411 0.906
	70 2.7559	90 3.5433	28 1.102	1.1 0.043	NKS70	72.6 16300	120 27000	4000	6200	0.383 0.844
72 2.8346	72 2.8346	90 3.5433	25 0.984	1 0.039	RNA4913	66 14800	121 27200	3900	5900	0.346 0.763
	72 2.8346	90 3.5433	45 1.772	1 0.039	RNA6913	107 24100	213 47900	3900	5900	0.679 1.497
73 2.874	73 2.874	90 3.5433	25 0.984	0.6 0.024	NK73/25	61.5 13800	119 26800	3800	5800	0.320 0.705
	73 2.874	90 3.5433	35 1.378	0.6 0.024	NK73/35	82.5 18500	173 38900	3800	5800	0.450 0.992
75 2.9528	75 2.9528	92 3.622	25 0.984	0.6 0.024	NK75/25	43.7 9820	90.2 20300	3600	5600	0.364 0.802
	75 2.9528	92 3.622	35 1.378	0.6 0.024	NK75/35	60.9 13700	138 31000	3600	5600	0.518 1.142
	75 2.9528	95 3.7402	28 1.102	1.1 0.043	NKS75	76.5 17200	132 29700	3700	5800	0.413 0.911
80 3.1496	80 3.1496	95 3.7402	25 0.984	1 0.039	NK80/25	65 14600	131 29400	3400	5300	0.331 0.730
	80 3.1496	95 3.7402	35 1.378	1 0.039	NK80/35	79.7 17900	184 41400	3400	5300	0.380 0.838
	80 3.1496	100 3.937	30 1.181	1 0.039	RNA4914	86.3 19400	157 35300	3500	5400	0.502 1.107
	80 3.1496	100 3.937	54 2.126	1 0.039	RNA6914	137 30800	286 64300	6500	5400	0.946 2.086
85 3.3465	85 3.3465	105 4.1339	25 0.984	1 0.039	NK85/25	76.4 17200	137 30800	3300	5000	0.506 1.116
	85 3.3465	105 4.1339	30 1.181	1 0.039	RNA4915	92.4 20800	175 39300	3300	5000	0.528 1.164
	85 3.3465	105 4.1339	35 1.378	1 0.039	NK85/35	108 24300	214 48100	3300	5000	0.610 1.345
	85 3.3465	105 4.1339	54 2.126	1 0.039	RNA6915	143 32100	308 69200	3300	5000	1.020 2.249
90 3.5433	90 3.5433	110 4.3307	25 0.984	1 0.039	NK90/25	79.5 17900	147 33000	3100	4700	0.450 0.992
	90 3.5433	110 4.3307	30 1.181	1 0.039	RNA4916	91.5 20600	176 39600	3100	4700	0.556 1.226
	90 3.5433	110 4.3307	35 1.378	1 0.039	NK90/35	113 25400	230 51700	3100	4700	0.745 1.642
	90 3.5433	110 4.3307	54 2.126	1 0.039	RNA6916	126 28300	320 71900	3100	4700	1.050 2.315
95 3.7402	95 3.7402	115 4.5276	26 1.024	1 0.039	NK95/26	49.3 11100	114 25600	2800	4400	0.572 1.261
	95 3.7402	115 4.5276	36 1.417	1 0.039	NK95/36	114 25600	238 53500	2900	4500	0.803 1.770
100 3.937	100 3.937	120 4.7244	26 1.024	1 0.039	NK100/26	83.6 18800	163 36600	2800	4200	0.530 1.168
	100 3.937	120 4.7244	35 1.378	1.1 0.043	RNA4917	110 24700	230 51700	2800	4200	0.715 1.576
	100 3.937	120 4.7244	36 1.417	1 0.039	NK100/36	118 26500	254 57100	2800	4200	0.658 1.451
	100 3.937	120 4.7244	63 2.48	1.1 0.043	RNA6917	150 33700	416 93500	2800	4200	1.350 2.976
105 4.1339	105 4.1339	125 4.9213	26 1.024	1 0.039	NK105/26	52.2 11700	127 28600	2600	3900	0.595 1.312

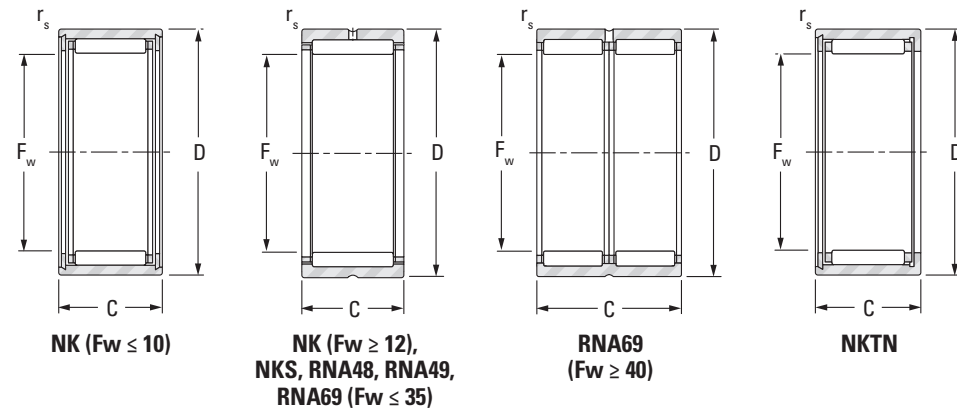
Continued on next page.



## NEEDLE ROLLER BEARINGS

### NEEDLE ROLLER BEARINGS WITHOUT INNER RINGS

METRIC SERIES  
NK, NKS, RNA48, RNA49  
RNA69, NKTN SERIES

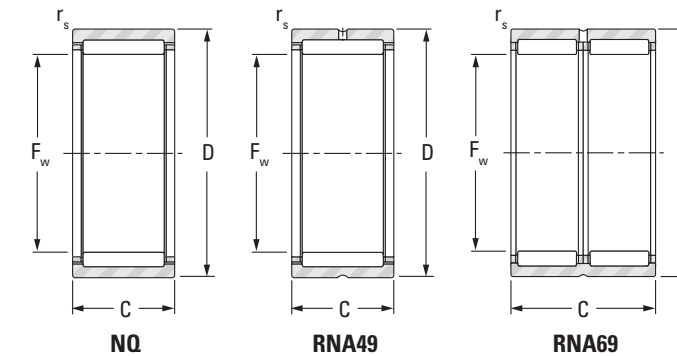


Shaft Dia.	F <sub>w</sub>	D	C	r <sub>s</sub> min	Bearing Designation	Load Ratings		Speed Rating		Approx. Wt.	
						Dynamic	Static	Grease			Oil
						C	C <sub>0</sub>	min <sup>-1</sup>			
mm in	mm in	mm in	mm in	mm in		kN lbf		min <sup>-1</sup>		kg lbs	
105 4.1339	105 4.1339	125 4.9213	35 1.378	1.1 0.043	RNA4918	114 25600	245 55100	2600	4000	0.746 1.645	
	105 4.1339	125 4.9213	63 2.48	1.1 0.043	RNA6918	154 34600	437 98200	2600	4000	1.500 3.300	
110 4.3307	110 4.3307	130 5.1181	30 1.181	1.1 0.043	NK110/30	103 23200	220 49500	2500	3800	0.660 1.455	
	110 4.3307	130 5.1181	35 1.378	1.1 0.043	RNA4919	115 25900	253 56900	2500	3800	0.777 1.713	
	110 4.3307	130 5.1181	40 1.575	1.1 0.043	NK110/40	132 29700	132 29700	2500	3800	0.900 1.984	
	110 4.3307	130 5.1181	63 2.48	1.1 0.043	RNA6919	158 35500	458 103000	2500	3800	1.470 3.241	
115 4.5276	115 4.5276	140 5.5118	40 1.575	1.1 0.043	RNA4920	139 31200	296 66500	2400	3700	1.220 2.690	
120 4.7244	120 4.7244	140 5.5118	30 1.181	1 0.039	RNA4822	90.3 20300	230 51700	2300	3500	0.785 1.731	
	125 4.9213	150 5.9055	40 1.575	1.1 0.043	RNA4922	147 33000	325 73100	2200	3400	1.320 2.910	
130 5.1181	130 5.1181	150 5.9055	30 1.181	1 0.039	RNA4824	94.1 21200	249 56000	2100	3200	0.850 1.874	
135 5.315	135 5.315	165 6.4961	45 1.772	1.1 0.043	RNA4924	177 39800	407 91500	2000	3100	1.980 4.365	
145 5.7087	145 5.7087	165 6.4961	35 1.378	1 0.039	RNA4826	112 25200	323 72600	1900	2900	1.100 2.425	
150 5.9055	150 5.9055	180 7.0866	50 1.969	1.5 0.059	RNA4926	201 45200	495 111000	1800	2800	2.420 5.335	
155 6.1024	155 6.1024	175 6.8898	35 1.378	1.1 0.043	RNA4828	116 26100	346 77800	1700	2700	1.170 2.579	
160 6.2992	160 6.2992	190 7.4803	50 1.969	1.5 0.059	RNA4928	214 48100	549 123000	1700	2600	2.560 5.644	
165 6.4961	165 6.4961	190 7.4803	40 1.575	1.1 0.043	RNA4830	142 31900	402 90400	1600	2500	1.540 3.395	
175 6.8898	175 6.8898	200 7.874	40 1.575	1.1 0.043	RNA4832	146 32800	425 95500	1500	2400	1.910 4.211	

## Heavy-Duty Needle Roller Bearings

### NEEDLE ROLLER BEARINGS WITHOUT INNER RINGS

METRIC SERIES  
NQ, RNA49, RNA69 SERIES



Shaft Dia.	F <sub>w</sub>	D	C	r <sub>s</sub> min	Bearing Designation	Load Ratings		Speed Rating		Approx. Wt.	
						Dynamic	Static	Grease			Oil
						C	C <sub>0</sub>	min <sup>-1</sup>			
mm in	mm in	mm in	mm in	mm in		kN lbf		min <sup>-1</sup>		kg lbs	
12 0.4724	12	19	12	0.3	NQ12/12AD	5.4	5.5	—	30000	0.012	
	12	24	9.8	0.3	12NQ2410A	5.9	6.3	—	30000	0.023	
13 0.5118	13	21	12	0.3	NQ132112	8.25	8.4	—	24000	0.015	
14 0.5512	14	22	16	0.5	NQ14/16D	11.8	13.8	—	24000	0.021	
15 0.5906	15	23	16	0.3	NQ15/16B	15.2	17.4	—	21000	0.021	
	15	24	10	0.3	15NQ2410D	8.65	8.45	—	21000	0.016	
	15	24	12	0.3	15NQ2412A	9.7	9.75	—	21000	0.019	
	15	25	16	0.6	NQ152516	11.8	14	—	24000	0.032	
	15	28	12	0.6	15NQ2812	10.7	11.1	—	21000	0.034	
	15	25	12	0.6	NQ152512	10.7	11.1	—	21000	0.022	
	15	28	12	0.6	NQ152812-1	10.7	11.1	—	21000	0.034	
	15	28	15	1.0	15NQ2815	12.7	13.7	—	21000	0.042	
16 0.6299	16	23	16	0.3	16NQ2316	13	16.2	—	23000	0.019	
	16	23	22	0.3	16NQ2322A	17	22.9	—	23000	0.026	
17 0.6693	17	25	16	0.5	NQ17/16D	11.4	16.2	—	26000	0.026	
	17	30	13	0.3	17NQ3013D	10.2	10.8	—	27000	0.041	
	17	32	16	0.6	17NQ3216D	18.5	17.1	—	29000	0.053	
18 0.7087	18	29	25	0.3	NQ182925-1	24.2	27.5	—	26000	0.056	
	18	34	20	0.3	18NQ3420AD	17.1	21.2	—	25000	0.090	
20 0.7874	20	28	16	0.3	NQ20/16D	12.1	18.2	—	22000	0.030	
	20	28	23	0.3	NQ202823	18.5	27.1	—	22000	0.040	
	20	30	15	0.6	20NQ3015ED	11.4	15.4	—	22000	0.037	

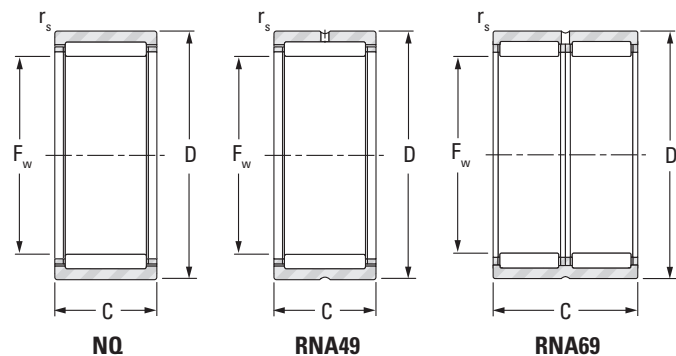
Continued on next page.



# NEEDLE ROLLER BEARINGS

## NEEDLE ROLLER BEARINGS WITHOUT INNER RINGS

### METRIC SERIES NQ, RNA49, RNA69 SERIES



# Heavy-Duty Needle Roller Bearings

Shaft Dia.	F <sub>w</sub>	D	C	r <sub>s min</sub>	Bearing Designation	Load Ratings		Speed Rating		Approx. Wt.
						Dynamic	Static	Grease	Oil	
						C	C <sub>0</sub>			
mm in	mm in	mm in	mm in	mm in		kN lbf		min <sup>-1</sup>	kg lbs	
40 1.5748	40	60	25	0.9	NQ406025	54.2	66.8	—	11000	0.213
45 1.7717	45	58	20	0.6	RNA49/38R-1	36.7	56.2	—	9700	0.116
48 1.8898	48	62	22	0.6	RNA4908R-2	44.3	67.8	—	9100	0.152

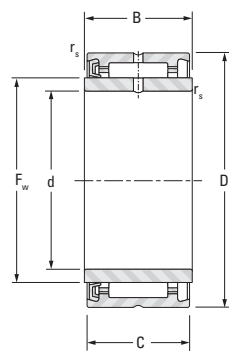
Shaft Dia.	F <sub>w</sub>	D	C	r <sub>s min</sub>	Bearing Designation	Load Ratings		Speed Rating		Approx. Wt.
						Dynamic	Static	Grease	Oil	
						C	C <sub>0</sub>			
mm in	mm in	mm in	mm in	mm in		kN lbf		min <sup>-1</sup>	kg lbs	
20 0.7874	20	30	20	0.3	20NQ3020	19.9	26.4	—	23000	0.048
	20	32	12	0.3	20NQ3212	11.9	11.3	—	23000	0.033
	20	32	18	0.3	NQ203218	21.2	26.1	—	23000	0.053
	20	32	20	0.3	NQ203220	23	26.6	—	23000	0.057
	20	33	15	0.6	20NQ3315NE	13.8	16.5	—	23000	0.093
	20	34	18	0.6	20NQ3418D	21.6	21.5	—	24000	0.060
22 0.8661	22	30	20	0.3	NQ22/20	15.3	25.6	—	20000	0.041
	22	35	20	0.3	NQS22/20D	21.8	25.4	—	21000	0.071
24 0.9449	24	32	20	0.3	NQ24/20AD	17.4	26.5	—	18000	0.041
25 0.9843	25	37	17	1.0	25NQ3717AD-1	21.1	25.1	—	18000	0.056
	25	37	17	0.9	RNA4904ARD	21.5	25.7	—	18000	0.057
28 1.1024	28	37	20	0.3	NQ283720D	20.7	34.9	—	15000	0.056
	28	39	17	0.3	RNA49/22R	22.2	30.3	—	16000	0.055
30 1.1811	30	42	30	0.6	NQ304230	40.6	61.2	—	15000	0.118
35 1.378	35	45	14	0.6	NQ354514	16.9	29	—	12000	0.055
	35	47	17	0.3	RNA4906D	20.2	31.9	—	12000	0.110
	35	47	30	0.3	RNA6906	43.1	69.3	—	13000	0.186
	35	48	23.7	0.3	35NQ4824D	34.1	51.3	—	13000	0.123
37 1.4567	37	47	20	0.3	NQ37/20D	26.3	45.7	—	12000	0.079
40 1.5748	40	48	20	0.3	NQ404820	21.2	40.4	—	11000	0.064
	40	50	15	0.3	NQ40/15AD	21.3	35.8	—	11000	0.063
	40	52	20	0.6	RNA49/32R-1	32.4	50	—	11000	0.100



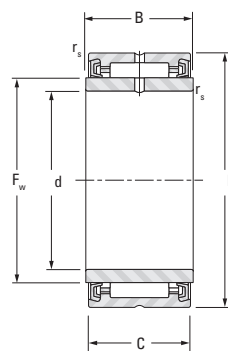
# NEEDLE ROLLER BEARINGS

## SEALED NEEDLE ROLLER BEARINGS WITH INNER RINGS

### METRIC SERIES



NA49RS



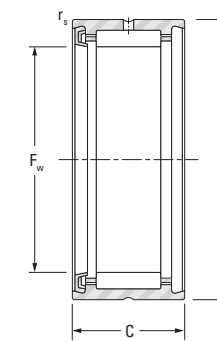
NA49.2RS

Shaft Dia.	d	D	B	C	F <sub>w</sub>	r <sub>s</sub> min	Bearing Designation	Load Ratings		Speed Rating Grease	Approx. Wt.
								Dynamic	Static		
								C	C <sub>0</sub>		
<b>10</b> 0.3937	<b>10</b> 0.3937	<b>22</b> 0.8661	<b>14</b> 0.551	<b>13</b> 0.512	<b>14</b> 0.5512	<b>0.3</b> 0.012	NA4900RS	<b>7.76</b> 1740	<b>8.06</b> 1810	14000	<b>0.027</b> 0.060
	<b>10</b> 0.3937	<b>22</b> 0.8661	<b>14</b> 0.551	<b>13</b> 0.512	<b>14</b> 0.5512	<b>0.3</b> 0.012	NA4900.2RS	<b>7.76</b> 1740	<b>8.06</b> 1810	14000	<b>0.027</b> 0.060
<b>12</b> 0.4724	<b>12</b> 0.4724	<b>24</b> 0.9449	<b>14</b> 0.551	<b>13</b> 0.512	<b>16</b> 0.6299	<b>0.3</b> 0.012	NA4901RS	<b>8.64</b> 1940	<b>9.59</b> 2160	12000	<b>0.031</b> 0.068
	<b>12</b> 0.4724	<b>24</b> 0.9449	<b>14</b> 0.551	<b>13</b> 0.512	<b>16</b> 0.6299	<b>0.3</b> 0.012	NA4901.2RS	<b>8.64</b> 1940	<b>9.59</b> 2160	12000	<b>0.031</b> 0.068
<b>15</b> 0.5906	<b>15</b> 0.5906	<b>28</b> 1.1024	<b>14</b> 0.551	<b>13</b> 0.512	<b>20</b> 0.7874	<b>0.3</b> 0.012	NA4902RS	<b>9.77</b> 2200	<b>12.0</b> 2700	9700	<b>0.041</b> 0.090
	<b>15</b> 0.5906	<b>28</b> 1.1024	<b>14</b> 0.551	<b>13</b> 0.512	<b>20</b> 0.7874	<b>0.3</b> 0.012	NA4902.2RS	<b>9.77</b> 2200	<b>12.0</b> 2700	9700	<b>0.041</b> 0.090
<b>17</b> 0.6693	<b>17</b> 0.6693	<b>30</b> 1.1811	<b>14</b> 0.551	<b>13</b> 0.512	<b>22</b> 0.8661	<b>0.3</b> 0.012	NA4903RS	<b>10.1</b> 2270	<b>12.8</b> 2880	8800	<b>0.044</b> 0.097
	<b>17</b> 0.6693	<b>30</b> 1.1811	<b>14</b> 0.551	<b>13</b> 0.512	<b>22</b> 0.8661	<b>0.3</b> 0.012	NA4903.2RS	<b>10.1</b> 2270	<b>12.8</b> 2880	8800	<b>0.044</b> 0.097
<b>20</b> 0.7874	<b>20</b> 0.7874	<b>37</b> 1.4567	<b>18</b> 0.709	<b>17</b> 0.669	<b>25</b> 0.9843	<b>0.3</b> 0.012	NA4904RS	<b>18.5</b> 4160	<b>21.2</b> 4770	7800	<b>0.087</b> 0.192
	<b>20</b> 0.7874	<b>37</b> 1.4567	<b>18</b> 0.709	<b>17</b> 0.669	<b>25</b> 0.9843	<b>0.3</b> 0.012	NA4904.2RS	<b>18.5</b> 4160	<b>21.2</b> 4770	7800	<b>0.087</b> 0.192
<b>25</b> 0.9843	<b>25</b> 0.9843	<b>42</b> 1.6535	<b>18</b> 0.709	<b>17</b> 0.669	<b>30</b> 1.1811	<b>0.3</b> 0.012	NA4905RS	<b>21.0</b> 4720	<b>26.4</b> 5930	6500	<b>0.106</b> 0.234
	<b>25</b> 0.9843	<b>42</b> 1.6535	<b>18</b> 0.709	<b>17</b> 0.669	<b>30</b> 1.1811	<b>0.3</b> 0.012	NA4905.2RS	<b>21.0</b> 4720	<b>26.4</b> 5930	6500	<b>0.106</b> 0.234
<b>30</b> 1.1811	<b>30</b> 1.1811	<b>47</b> 1.8504	<b>18</b> 0.709	<b>17</b> 0.669	<b>35</b> 1.3780	<b>0.3</b> 0.012	NA4906RS	<b>22.5</b> 5060	<b>30.0</b> 6740	5500	<b>0.119</b> 0.262
	<b>30</b> 1.1811	<b>47</b> 1.8504	<b>18</b> 0.709	<b>17</b> 0.669	<b>35</b> 1.3780	<b>0.3</b> 0.012	NA4906.2RS	<b>22.5</b> 5060	<b>30.0</b> 6740	5500	<b>0.119</b> 0.262
<b>35</b> 1.3780	<b>35</b> 1.3780	<b>55</b> 2.1654	<b>21</b> 0.827	<b>20</b> 0.787	<b>42</b> 1.6535	<b>0.6</b> 0.024	NA4907RS	<b>29.1</b> 6540	<b>44.4</b> 9980	4600	<b>0.198</b> 0.437
	<b>35</b> 1.3780	<b>55</b> 2.1654	<b>21</b> 0.827	<b>20</b> 0.787	<b>42</b> 1.6535	<b>0.6</b> 0.024	NA4907.2RS	<b>29.1</b> 6540	<b>44.4</b> 9980	4600	<b>0.198</b> 0.437
<b>40</b> 1.5748	<b>40</b> 1.5748	<b>62</b> 2.4409	<b>23</b> 0.906	<b>22</b> 0.866	<b>48</b> 1.8898	<b>0.6</b> 0.024	NA4908RS	<b>38.6</b> 8680	<b>57.0</b> 12800	4000	<b>0.263</b> 0.580
	<b>40</b> 1.5748	<b>62</b> 2.4409	<b>23</b> 0.906	<b>22</b> 0.866	<b>48</b> 1.8898	<b>0.6</b> 0.024	NA4908.2RS	<b>38.6</b> 8680	<b>57.0</b> 12800	4000	<b>0.263</b> 0.580
<b>45</b> 1.7717	<b>45</b> 1.7717	<b>68</b> 2.6772	<b>23</b> 0.906	<b>22</b> 0.866	<b>52</b> 2.0472	<b>0.6</b> 0.024	NA4909RS	<b>39.4</b> 8860	<b>60.0</b> 13500	3700	<b>0.303</b> 0.668
	<b>45</b> 1.7717	<b>68</b> 2.6772	<b>23</b> 0.906	<b>22</b> 0.866	<b>52</b> 2.0472	<b>0.6</b> 0.024	NA4909.2RS	<b>39.4</b> 8860	<b>60.0</b> 13500	3700	<b>0.303</b> 0.668
<b>50</b> 1.9685	<b>50</b> 1.9685	<b>72</b> 2.8346	<b>23</b> 0.906	<b>22</b> 0.866	<b>58</b> 2.2835	<b>0.6</b> 0.024	NA4910RS	<b>41.2</b> 9260	<b>65.8</b> 14800	3300	<b>0.309</b> 0.681
	<b>50</b> 1.9685	<b>72</b> 2.8346	<b>23</b> 0.906	<b>22</b> 0.866	<b>58</b> 2.2835	<b>0.6</b> 0.024	NA4910.2RS	<b>41.2</b> 9260	<b>65.8</b> 14800	3300	<b>0.309</b> 0.681

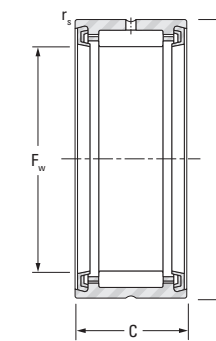
# Heavy-Duty Needle Roller Bearings

## SEALED NEEDLE ROLLER BEARINGS WITHOUT INNER RINGS

### METRIC SERIES



RNA49RS



RNA49.2RS

Shaft Dia.	F <sub>w</sub>	D	C	r <sub>s</sub> min	Bearing Designation	Load Ratings		Speed Rating Grease	Approx. Wt.
						Dynamic	Static		
						C	C <sub>0</sub>		
<b>14</b> 0.5512	<b>14</b> 0.5512	<b>22</b> 0.8661	<b>13</b> 0.512	<b>0.3</b> 0.012	RNA4900RS	<b>7.76</b> 1740	<b>8.06</b> 1810	14000	<b>0.019</b> 0.042
	<b>14</b> 0.5512	<b>22</b> 0.8661	<b>13</b> 0.512	<b>0.3</b> 0.012	RNA4900.2RS	<b>7.76</b> 1740	<b>8.06</b> 1810	14000	<b>0.019</b> 0.042
<b>16</b> 0.6299	<b>16</b> 0.6299	<b>24</b> 0.9449	<b>13</b> 0.512	<b>0.3</b> 0.012	RNA4901RS	<b>8.64</b> 1940	<b>9.59</b> 2160	12000	<b>0.021</b> 0.046
	<b>16</b> 0.6299	<b>24</b> 0.9449	<b>13</b> 0.512	<b>0.3</b> 0.012	RNA4901.2RS	<b>8.64</b> 1940	<b>9.59</b> 2160	12000	<b>0.021</b> 0.046
<b>20</b> 0.7874	<b>20</b> 0.7874	<b>28</b> 1.1024	<b>13</b> 0.512	<b>0.3</b> 0.012	RNA4902RS	<b>9.70</b> 2180	<b>12.0</b> 2700	9700	<b>0.026</b> 0.057
	<b>20</b> 0.7874	<b>28</b> 1.1024	<b>13</b> 0.512	<b>0.3</b> 0.012	RNA4902.2RS	<b>9.70</b> 2180	<b>12.0</b> 2700	9700	<b>0.026</b> 0.057
<b>22</b> 0.8661	<b>22</b> 0.8661	<b>30</b> 1.1811	<b>13</b> 0.512	<b>0.3</b> 0.012	RNA4903RS	<b>10.1</b> 2270	<b>12.8</b> 2880	8800	<b>0.027</b> 0.060
	<b>22</b> 0.8661	<b>30</b> 1.1811	<b>13</b> 0.512	<b>0.3</b> 0.012	RNA4903.2RS	<b>10.1</b> 2270	<b>12.8</b> 2880	8800	<b>0.027</b> 0.060
<b>25</b> 0.9843	<b>25</b> 0.9843	<b>37</b> 1.4567	<b>17</b> 0.669	<b>0.3</b> 0.012	RNA4904RS	<b>18.5</b> 4160	<b>21.2</b> 4770	7800	<b>0.062</b> 0.137
	<b>25</b> 0.9843	<b>37</b> 1.4567	<b>17</b> 0.669	<b>0.3</b> 0.012	RNA4904.2RS	<b>18.5</b> 4160	<b>21.2</b> 4770	7800	<b>0.062</b> 0.137
<b>30</b> 1.1811	<b>30</b> 1.1811	<b>42</b> 1.6535	<b>17</b> 0.669	<b>0.3</b> 0.012	RNA4905RS	<b>21.0</b> 4720	<b>26.4</b> 5930	6500	<b>0.075</b> 0.165
	<b>30</b> 1.1811	<b>42</b> 1.6535	<b>17</b> 0.669	<b>0.3</b> 0.012	RNA4905.2RS	<b>21.0</b> 4720	<b>26.4</b> 5930	6500	<b>0.075</b> 0.165
<b>35</b> 1.3780	<b>35</b> 1.3780	<b>47</b> 1.864	<b>17</b> 0.669	<b>0.3</b> 0.012	RNA4906RS	<b>22.5</b> 5060	<b>30.0</b> 6740	5500	<b>0.083</b> 0.183
	<b>35</b> 1.3780	<b>47</b> 1.8504	<b>17</b> 0.669	<b>0.3</b> 0.012	RNA4906.2RS	<b>22.5</b> 5060	<b>30.0</b> 6740	5500	<b>0.083</b> 0.183
<b>42</b> 1.6535	<b>42</b> 1.6535	<b>55</b> 2.1654	<b>20</b> 0.787	<b>0.6</b> 0.024	RNA4907RS	<b>29.1</b> 6540	<b>44.4</b> 9980	4600	<b>0.130</b> 0.287
	<b>42</b> 1.6535	<b>55</b> 2.1654	<b>20</b> 0.787	<b>0.6</b> 0.024	RNA4907.2RS	<b>29.1</b> 6540	<b>44.4</b> 9980	4600	<b>0.130</b> 0.287
<b>48</b> 1.8898	<b>48</b> 1.8898	<b>62</b> 2.4409	<b>22</b> 0.866	<b>0.6</b> 0.024	RNA4908RS	<b>38.6</b> 8680	<b>57.0</b> 12800	4000	<b>0.163</b> 0.359
	<b>48</b> 1.8898	<b>62</b> 2.4409	<b>22</b> 0.866	<b>0.6</b> 0.024	RNA4908.2RS	<b>38.6</b> 8680	<b>57.0</b> 12800	4000	<b>0.163</b> 0.359
<b>52</b> 2.0472	<b>52</b> 2.0472	<b>68</b> 2.6772	<b>22</b> 0.866	<b>0.6</b> 0.024	RNA4909RS	<b>39.4</b> 8860	<b>60.0</b> 13500	3700	<b>0.207</b> 0.456
	<b>52</b> 2.0472	<b>68</b> 2.6772	<b>22</b> 0.866	<b>0.6</b> 0.024	RNA4909.2RS	<b>39.4</b> 8860	<b>60.0</b> 13500	3700	<b>0.207</b> 0.456
<b>58</b> 2.2835	<b>58</b> 2.2835	<b>72</b> 2.8346	<b>22</b> 0.866	<b>0.6</b> 0.024	RNA4910RS	<b>41.2</b> 9260	<b>65.8</b> 14800	3300	<b>0.187</b> 0.412
	<b>58</b> 2.2835	<b>72</b> 2.8346	<b>22</b> 0.866	<b>0.6</b> 0.024	RNA4910.2RS	<b>41.2</b> 9260	<b>65.8</b> 14800	3300	<b>0.187</b> 0.412





NEEDLE ROLLER BEARINGS WITHOUT FLANGES WITH INNER RINGS

METRIC SERIES

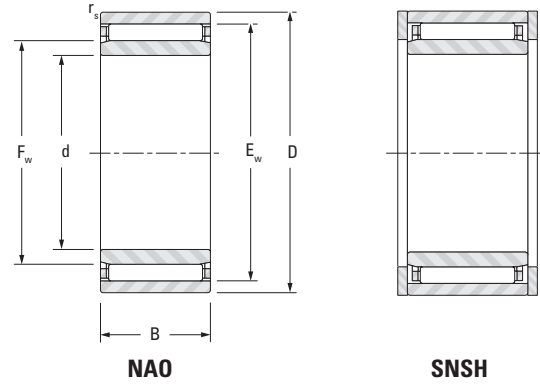


Table with columns: Shaft Dia., d, D, B, Fw, Ew, rs min, s(1), Bearing Designation, End Washer Designation, Load Ratings (Dynamic C, Static Co), Speed Rating (Grease, Oil), and Approx. Wt. (kg lbs). Rows list various bearing models like NAO06X17X10, NAO08X19X10, etc.

(1) Max. axial displacement.

Table with columns: Shaft Dia., d, D, B, Fw, Ew, rs min, s(1), Bearing Designation, End Washer Designation, Load Ratings (Dynamic C, Static Co), Speed Rating (Grease, Oil), and Approx. Wt. (kg lbs). Rows list heavy-duty bearing models like NAO20X37X32, NAO25X40X17, etc.

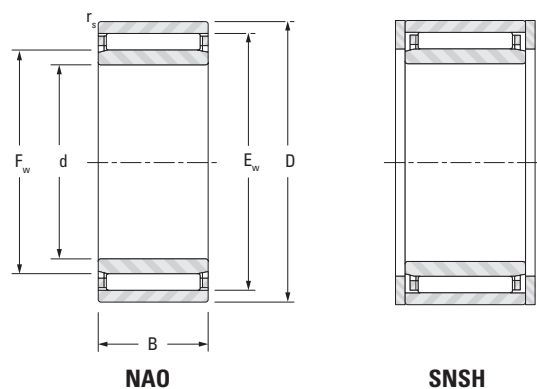
Continued on next page.



# NEEDLE ROLLER BEARINGS

## NEEDLE ROLLER BEARINGS WITHOUT FLANGES WITH INNER RINGS

### METRIC SERIES



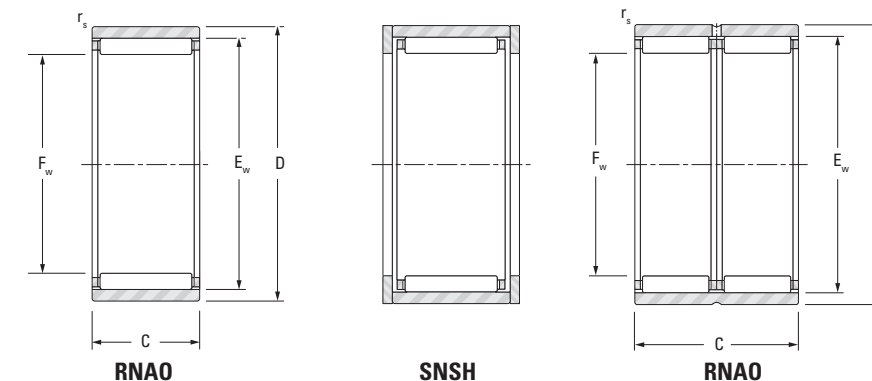
Shaft Dia.	d	D	B	F <sub>w</sub>	E <sub>w</sub>	r <sub>s min</sub>	s <sup>(1)</sup>	Bearing Designation	End Washer Designation	Load Ratings		Speed Rating		Approx. Wt.	
										Dynamic	Static	Grease			Oil
										C	C <sub>0</sub>				
mm in	mm in	mm in	mm in	mm in	mm in	mm in	mm in			kN lbf		min <sup>-1</sup>	kg lbs		
50 1.9685	50 1.9685	78 3.0709	40 1.575	60 2.3622	68 2.6772	1.0 0.039	1.7 0.067	NAO50X78X40	SNSH61X78X1	71.7 16100	158 35500	4600	7100	0.746 1.645	
55 2.1654	55 2.1654	85 3.3465	30 1.181	65 2.5591	73 2.8740	1.0 0.039	2.0 0.079	NAO55X85X30	SNSH66X85X1	60.1 13500	129 29000	4200	6500	0.690 1.521	
	55 2.1654	85 3.3465	60 2.362	65 2.5591	73 2.8740	1.0 0.039	1.5 0.059	NAO55X85X60	SNSH66X85X1	103 23200	259 58200	4200	6500	1.320 2.910	
60 2.3622	60 2.3622	90 3.5433	30 1.181	70 2.7559	78 3.0709	1.0 0.039	2.0 0.079	NAO60X90X30		62.2 14000	139 31200	3900	6000	0.745 1.642	
	60 2.3622	90 3.5433	60 2.362	70 2.7559	78 3.0709	1.0 0.039	1.7 0.067	NAO60X90X60		107 24100	277 62300	3900	6000	1.405 3.097	
65 2.5591	65 2.5591	95 3.7402	30 1.181	75 2.9528	83 3.2677	1.0 0.039	2.0 0.079	NAO65X95X30		60.9 13700	138 31000	3600	5600	0.770 1.698	
	65 2.5591	95 3.7402	60 2.362	75 2.9528	83 3.2677	1.0 0.039	1.7 0.067	NAO65X95X60		116 26100	277 62300	3600	5600	1.500 3.307	
70 2.7559	70 2.7559	100 3.9370	30 1.181	80 3.1496	88 3.4646	1.0 0.039	2.0 0.079	NAO70X100X30		67.5 15200	161 36200	3400	5200	0.850 1.874	
	70 2.7559	100 3.9370	60 2.362	80 3.1496	88 3.4646	1.0 0.039	1.7 0.067	NAO70X100X60		116 26100	322 72400	3400	5200	1.600 3.527	
80 3.1496	80 3.1496	110 4.3307	30 1.181	90 3.5433	98 3.8583	1.0 0.039	2.0 0.079	NAO80X110X30		63.6 14300	155 34800	3000	4600	0.920 2.028	
85 3.3465	85 3.3465	115 4.5276	30 1.181	95 3.7402	103 4.0551	1.0 0.039	2.0 0.079	NAO85X115X30		71.0 16000	183 41100	2800	4400	0.985 2.172	
90 3.5433	90 3.5433	120 4.7244	30 1.181	100 3.9370	108 4.2520	1.0 0.039	2.0 0.079	NAO90X120X30		72.4 16300	191 42900	2700	4200	1.010 2.22	

<sup>(1)</sup> Max. axial displacement.

# Heavy-Duty Needle Roller Bearings

## NEEDLE ROLLER BEARINGS WITHOUT FLANGES WITHOUT INNER RINGS

### METRIC SERIES



Shaft Dia.	F <sub>w</sub>	D	C	E <sub>w</sub>	r <sub>s min</sub>	Bearing Designation	End Washer Designation	Load Ratings		Speed Rating		Approx. Wt.	
								Dynamic	Static	Grease			Oil
								C	C <sub>0</sub>				
mm in	mm in	mm in	mm in	mm in	mm in			kN lbf		min <sup>-1</sup>	kg lbs		
6 0.2362	6 0.2362	13 0.5118	8 0.315	9 0.3543	0.3 0.012	RNAO6X13X8TN		2.47 560	2.07 470	29000	44000	0.005 0.011	
7 0.2756	7 0.2756	14 0.5512	8 0.315	10 0.3937	0.3 0.012	RNAO7X14X8TN		2.74 620	2.44 550	28000	42000	0.007 0.015	
8 0.3150	8 0.3150	15 0.5906	10 0.394	11 0.4331	0.3 0.012	RNAO8X15X10	SNSH8,5X15X0,5	4.57 1030	4.89 1100	26000	41000	0.008 0.018	
9 0.3543	9 0.3543	16 0.6299	10 0.394	12 0.4724	0.3 0.012	RNAO9X16X10		4.27 960	4.60 1030	26000	40000	0.009 0.020	
10 0.3937	10 0.3937	17 0.6693	10 0.394	13 0.5118	0.3 0.012	RNAO10X17X10	SNSH10,5X17X0,5	5.40 1210	6.43 1450	25000	39000	0.010 0.022	
	10 0.3937	17 0.6693	20 0.787	13 0.5118	0.3 0.012	RNAO10X17X20	SNSH10,5X17X0,5	9.25 2080	12.9 2900	25000	39000	0.019 0.042	
12 0.4724	12 0.4724	19 0.7480	10 0.394	15 0.5906	0.3 0.012	RNAO12X19X10	SNSH12,5X19X0,5	5.85 1320	7.51 1690	24000	37000	0.012 0.026	
14 0.5512	14 0.5512	22 0.8661	13 0.512	18 0.7087	0.3 0.012	RNAO14X22X13	SNSH14,5X22X0,5	9.73 2190	12.5 2810	19000	29000	0.018 0.040	
	14 0.5512	22 0.8661	20 0.787	18 0.7087	0.3 0.012	RNAO14X22X20	SNSH14,5X22X0,5	12.3 2770	16.8 3780	19000	29000	0.029 0.064	
	14 0.5512	26 1.0236	12 0.472	20 0.7874	0.3 0.012	RNAO14X26X12	SNSH14,5X26X0,5	10.5 2360	10.6 2380	14000	21000	0.029 0.064	
15 0.5906	15 0.5906	23 0.9055	13 0.512	19 0.7480	0.3 0.012	RNAO15X23X13	SNSH15,5X23X0,5	9.66 2170	12.6 2830	18000	28000	0.019 0.042	
	15 0.5906	23 0.9055	20 0.787	19 0.7480	0.3 0.012	RNAO15X23X20	SNSH15,5X23X0,5	13.5 3030	19.4 4360	18000	28000	0.029 0.064	
16 0.6299	16 0.6299	24 0.9449	13 0.512	20 0.7874	0.3 0.012	RNAO16X24X13	SNSH16,5X24X0,5	10.1 2270	13.5 3030	18000	28000	0.022 0.049	
	16 0.6299	24 0.9449	20 0.787	20 0.7874	0.3 0.012	RNAO16X24X20	SNSH16,5X24X0,5	13.4 3010	19.5 4380	18000	28000	0.032 0.071	
	16 0.6299	28 1.1024	12 0.472	22 0.8661	0.3 0.012	RNAO16X28X12	SNSH16,5X28X0,5	11.2 2520	11.9 2680	19000	29000	0.033 0.073	
17 0.6693	17 0.6693	25 0.9843	13 0.512	21 0.8268	0.3 0.012	RNAO17X25X13	SNSH17,5X25X0,5	10.5 2360	14.5 3260	17000	26000	0.022 0.049	
	17 0.6693	25 0.9843	20 0.787	21 0.8268	0.3 0.012	RNAO17X25X20	SNSH17,5X25X0,5	14.7 3300	22.5 5060	17000	26000	0.032 0.071	
18 0.7087	18 0.7087	26 1.0236	13 0.512	22 0.8661	0.3 0.012	RNAO18X26X13	SNSH18,5X26X0,5	10.8 2430	15.4 3460	16000	24000	0.024 0.053	
	18 0.7087	26 1.0236	13 0.512	22 0.8661	0.3 0.012	RNAO18X26X13ASR1	SNSH18,5X26X0,5	10.8 2430	15.4 3460	16000	24000	0.024 0.053	
	18 0.7087	26 1.0236	20 0.787	22 0.8661	0.3 0.012	RNAO18X26X20	SNSH18,5X26X0,5	14.4 3240	22.2 4990	16000	24000	0.034 0.075	
	18 0.7087	30 1.1811	24 0.945	24 0.9449	0.3 0.012	RNAO18X30X24		20.2 4540	26.2 5890	17000	25000	0.070 0.154	
20 0.7874	20 0.7874	28 1.1024	13 0.512	24 0.9449	0.3 0.012	RNAO20X28X13	SNSH20,5X28X0,5	11.5 2590	17.3 3890	14000	22000	0.025 0.055	

Continued on next page.



NEEDLE ROLLER BEARINGS

NEEDLE ROLLER BEARINGS WITHOUT FLANGES WITHOUT INNER RINGS

METRIC SERIES

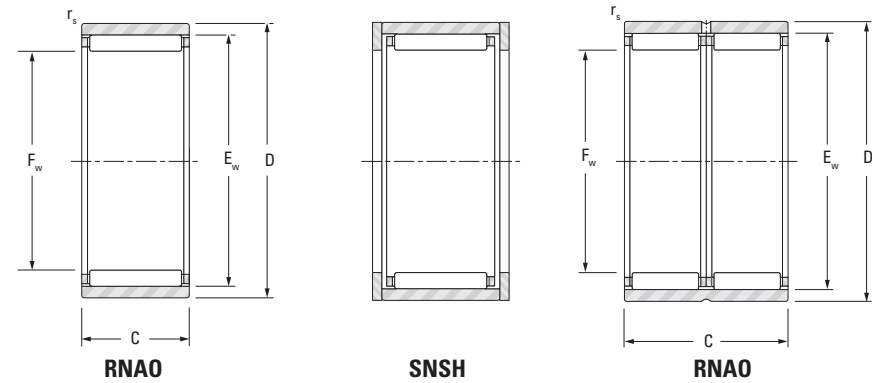


Table with columns: Shaft Dia., Fw, D, C, Ew, rs min, Bearing Designation, End Washer Designation, Load Ratings (Dynamic, Static), Speed Rating (Grease, Oil), and Approx. Wt. (kg, lbs).

Heavy-Duty Needle Roller Bearings

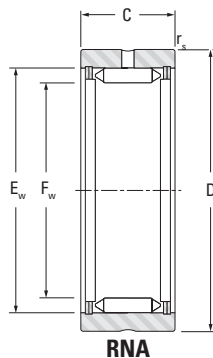
Table with columns: Shaft Dia., Fw, D, C, Ew, rs min, Bearing Designation, End Washer Designation, Load Ratings (Dynamic, Static), Speed Rating (Grease, Oil), and Approx. Wt. (kg, lbs).



NEEDLE ROLLER BEARINGS  
FULL COMPLEMENT  
WITHOUT INNER RINGS

METRIC SERIES

- Check for availability.



Shaft Dia.	F <sub>w</sub>	D	C	E <sub>w</sub>	r <sub>s min</sub>	Bearing Designation	Load Ratings		Speed Rating		Approx. Wt.
							Dynamic	Static	Grease	Oil	
							C	C <sub>0</sub>			
mm in	mm in	mm in	mm in	mm in	mm in		kN lbf		min <sup>-1</sup>		kg lbs
7.3 0.2874	7.3 0.2874	16 0.6299	12 0.472	12.3 0.4843	0.35 0.014	RNA 1005 <sup>(1)</sup>	3.95 888	4.45 1000	34000	52000	0.010 0.022
9.7 0.3819	9.7 0.3819	19 0.7480	12 0.472	14.7 0.5787	0.35 0.014	RNA 1007 <sup>(1)</sup>	4.80 1080	5.90 1330	25000	39000	0.013 0.029
12.1 0.4764	12.1 0.4764	22 0.8661	12 0.472	17.1 0.6732	0.35 0.014	RNA 1009 <sup>(1)</sup>	5.60 1260	7.40 1660	20000	31000	0.018 0.040
14.4 0.5669	14.4 0.5669	24 0.9449	12 0.472	19.4 0.7638	0.35 0.014	RNA 1010 <sup>(1)</sup>	6.35 1430	8.90 2000	17000	26000	0.020 0.044
17.6 0.6929	17.6 0.6929	28 1.1024	15 0.591	22.6 0.8898	0.35 0.014	RNA 1012 <sup>(1)</sup>	11.0 2470	16.5 3710	14000	22000	0.034 0.075
20.8 0.8189	20.8 0.8189	32 1.2598	15 0.591	25.8 1.0157	0.65 0.026	RNA 1015 <sup>(1)</sup>	12.4 2790	19.5 4380	12000	18000	0.044 0.097
22.1 0.8701	22.1 0.8701	35 1.3780	22 0.866	28.1 1.1063	0.65 0.026	RNA 2015	23.5 5280	37.5 8430	11000	17000	0.082 0.181
23.9 0.9409	23.9 0.9409	35 1.3780	15 0.591	28.9 1.1378	0.65 0.026	RNA 1017 <sup>(1)</sup>	13.7 3080	22.5 5060	10000	16000	0.047 0.104
28.7 1.1299	28.7 1.1299	42 1.6535	18 0.709	34.7 1.3661	0.65 0.026	RNA 1020	19.3 4340	33.5 7530	8600	13000	0.084 0.185
	28.7 1.1299	42 1.6535	22 0.866	34.7 1.3661	0.65 0.026	RNA 2020	28.5 6410	49.0 11000	8600	13000	0.104 0.229
33.5 1.3189	33.5 1.3189	47 1.8504	18 0.709	39.5 1.5551	0.65 0.026	RNA 1025	21.5 4830	39.0 8770	7200	11000	0.097 0.214
	33.5 1.3189	47 1.8504	22 0.866	39.5 1.5551	0.65 0.026	RNA 2025	33.0 7420	60.0 13500	7200	11000	0.122 0.269
	33.5 1.3189	47 1.8504	30 1.181	39.5 1.5551	0.65 0.026	RNA 22025	52.0 11700	94.0 21100	7200	11000	0.170 0.375
38.2 1.5039	38.2 1.5039	52 2.0472	18 0.709	44.2 1.7402	0.65 0.026	RNA 1030	23.5 5280	44.5 10000	6500	10000	0.107 0.236
	38.2 1.5039	52 2.0472	22 0.866	44.2 1.7402	0.65 0.026	RNA 2030	34.5 7760	66.0 14800	6500	10000	0.139 0.306
	38.2 1.5039	52 2.0472	30 1.181	44.2 1.7402	0.65 0.026	RNA 22030	57.0 12800	108 24300	6500	10000	0.193 0.425
44 1.7323	44 1.7323	58 2.2835	18 0.709	50.0 1.9685	0.65 0.026	RNA 1035	26.0 5850	51.0 11500	5600	8600	0.127 0.280
	44 1.7323	58 2.2835	22 0.866	50.0 1.9685	0.65 0.026	RNA 2035	38.0 8540	75.0 16900	5600	8600	0.160 0.353
	44 1.7323	58 2.2835	30 1.181	50.0 1.9685	0.65 0.026	RNA 22035	63.0 14200	124 27900	5600	8600	0.225 0.496

<sup>(1)</sup> No lubrication holes.

Shaft Dia.	F <sub>w</sub>	D	C	E <sub>w</sub>	r <sub>s min</sub>	Bearing Designation	Load Ratings		Speed Rating		Approx. Wt.
							Dynamic	Static	Grease	Oil	
							C	C <sub>0</sub>			
mm in	mm in	mm in	mm in	mm in	mm in		kN lbf		min <sup>-1</sup>		kg lbs
44 1.7323	44 1.7323	62 2.4409	30 1.181	51.0 2.0094	0.65 0.026	RNA 3030	64.0 14400	125 28100	5600	8600	0.309 0.681
49.7 1.9567	49.7 1.9567	65 2.5591	18 0.709	55.7 2.1929	0.85 0.033	RNA 1040	28.5 6410	58.0 13000	4900	7600	0.160 0.353
	49.7 1.9567	65 2.5591	22 0.866	55.7 2.1929	0.65 0.026	RNA 2040	41.5 9330	85.0 19100	4900	7600	0.200 0.441
	49.7 1.9567	65 2.5591	30 1.181	55.7 2.1929	0.65 0.026	RNA 22040	68.0 15300	140 31500	4900	7600	0.278 0.613
	49.7 1.9567	72 2.8346	36 1.417	56.8 2.2346	0.65 0.026	RNA 3035	90.0 20200	183 41100	4900	7600	0.545 1.202
55.4 2.1811	55.4 2.1811	72 2.8346	18 0.709	61.4 2.4173	0.85 0.033	RNA 1045	30.5 6860	65.0 14600	4500	6900	0.193 0.425
	55.4 2.1811	72 2.8346	22 0.866	61.4 2.4173	0.85 0.033	RNA 2045	45.0 10100	95.0 21400	4500	6900	0.242 0.534
	55.4 2.1811	80 3.1496	36 1.417	62.5 2.4591	0.85 0.033	RNA 3040	97.0 21800	204 45900	4500	6900	0.672 1.482
62.1 2.4449	62.1 2.4449	80 3.1496	20 0.787	68.1 2.6811	0.85 0.033	RNA 1050	33.0 7420	73.0 16400	4000	6100	0.255 0.562
	62.1 2.4449	80 3.1496	28 1.102	68.1 2.6811	0.85 0.033	RNA 2050	64.0 14400	142 31900	4000	6100	0.375 0.827
	62.1 2.4449	85 3.3465	38 1.496	69.2 2.7228	0.85 0.033	RNA 3045	105 23600	230 51700	4000	6100	0.710 1.565
68.8 2.7087	68.8 2.7087	85 3.3465	20 0.787	74.8 2.9449	0.85 0.033	RNA 1055	35.5 7980	80.0 18000	3600	5500	0.258 0.569
	68.8 2.7087	85 3.3465	28 1.102	74.8 2.9449	0.85 0.033	RNA 2055	69.0 15500	157 35300	3600	5500	0.361 0.796
	68.8 2.7087	90 3.5433	38 1.496	75.9 2.9866	0.85 0.033	RNA 3050	113 25400	255 57300	3600	5500	0.705 1.55
72.6 2.8583	72.6 2.8583	90 3.5433	20 0.787	78.6 3.0945	0.85 0.033	RNA 1060	37.0 8320	85.0 19100	3400	5200	0.283 0.624
	72.6 2.8583	90 3.5433	28 1.102	78.6 3.0945	0.85 0.033	RNA 2060	72.0 16200	165 37100	3400	5200	0.413 0.911
	72.6 2.8583	95 3.7402	38 1.496	79.6 3.1339	0.85 0.033	RNA 3055	117 26300	268 60200	3400	5200	0.782 1.724
78.3 3.0827	78.3 3.0827	95 3.7402	20 0.787	84.3 3.3189	0.85 0.033	RNA 1065	41.5 9330	97.0 21800	3200	4900	0.306 0.675
	78.3 3.0827	95 3.7402	28 1.102	84.3 3.3189	0.85 0.033	RNA 2065	78.0 17500	184 41400	3200	4900	0.433 0.955
	78.3 3.0827	100 3.9370	38 1.496	85.3 3.3583	0.85 0.033	RNA 3060	123.0 27700	290 65200	3200	4900	0.810 1.786
83.1 3.2717	83.1 3.2717	100 3.9370	20 0.787	89.1 3.5079	0.85 0.033	RNA 1070	43.0 9670	103 23200	2900	4500	0.322 0.710
	83.1 3.2717	100 3.9370	28 1.102	89.1 3.5079	0.85 0.033	RNA 2070	81.0 18200	195 43800	2900	4500	0.470 1.036
	83.1 3.2717	105 4.1339	38 1.496	90.2 3.5496	0.85 0.033	RNA 3065	129 29000	308 69200	2900	4500	0.865 1.907
88 3.4646	88 3.4646	110 4.3307	24 0.945	95.0 3.7402	0.85 0.033	RNA 1075	64.0 14400	155 34800	2800	4300	0.577 1.272

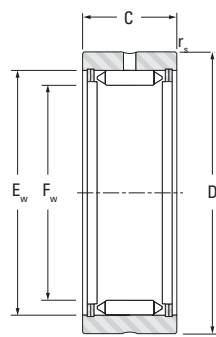
Continued on next page.



NEEDLE ROLLER BEARINGS  
FULL COMPLEMENT  
WITHOUT INNER RINGS

METRIC SERIES

- Check for availability.



RNA

Shaft Dia.	F <sub>w</sub>	D	C	E <sub>w</sub>	r <sub>s min</sub>	Bearing Designation	Load Ratings		Speed Rating		Approx. Wt.
							Dynamic	Static	Grease	Oil	
							C	C <sub>0</sub>			
mm in	mm in	mm in	mm in	mm in	mm in		kN lbf		min <sup>-1</sup>	kg lbs	
88 3.4646	88 3.4646	110 4.3307	32 1.260	95.0 3.7402	0.85 0.033	RNA 2075	104 23400	253 56900	2800	4300	0.767 1.691
	88 3.4646	110 4.3307	38 1.496	95.0 3.7402	0.85 0.033	RNA 3070	134 30100	325 73100	2800	4300	0.906 1.997
96 3.7795	96 3.7795	115 4.5276	24 0.945	103.0 4.0551	0.85 0.033	RNA 1080	68.0 15300	170 38200	2600	4000	0.510 1.124
	96 3.7795	115 4.5276	32 1.254	103.0 4.0551	0.85 0.033	RNA 2080	110 24700	275 61800	2600	4000	0.694 1.530
	96 3.7795	120 4.7244	38 1.496	103.0 4.0551	0.85 0.033	RNA 3075	142 31900	355 79800	2600	4000	1.098 2.421
99.5 3.9173	99.5 3.9173	120 4.7244	32 1.260	106.5 4.1929	1.35 0.053	RNA 2085	113 25400	285 64100	2500	3800	0.787 1.735
	99.5 3.9173	125 4.9213	38 1.496	106.5 4.1929	0.85 0.033	RNA 3080	145 32600	365 82100	2500	3800	1.220 2.690
104.7 4.1220	104.7 4.1220	125 4.9213	32 1.260	111.7 4.3976	1.35 0.053	RNA 2090	117 26300	300 67400	2300	3600	0.837 1.845
	104.7 4.1220	130 5.1181	38 1.496	111.7 4.3976	1.35 0.053	RNA 3085	150 33700	390 87700	2300	3600	1.252 2.760
109.1 4.2953	109.1 4.2953	130 5.1181	32 1.260	116.1 4.5709	1.35 0.053	RNA 2095	120 27000	315 70800	2300	3500	0.882 1.944
	109.1 4.2953	135 5.3150	43 1.693	116.1 4.5709	1.35 0.053	RNA 3090	185 41600	480 108000	2300	3500	1.522 3.355
114.7 4.5157	114.7 4.5157	135 5.3150	32 1.260	121.7 4.7913	1.35 0.053	RNA 2100	125 28100	330 74200	2100	3300	0.677 1.493
	114.7 4.5157	140 5.5118	43 1.693	121.7 4.7913	1.35 0.053	RNA 3095	190 42700	505 114000	2100	3300	1.551 3.419
119.2 4.6929	119.2 4.6929	140 5.5118	32 1.260	126.2 4.9685	1.35 0.053	RNA 2105	129 29000	340 76400	2100	3200	0.941 2.075
	119.2 4.6929	145 5.7087	43 1.693	126.2 4.9685	1.35 0.053	RNA 3100	195 43800	520 117000	2100	3200	1.645 3.627
124.5 4.9016	124.5 4.9016	145 5.7087	34 1.339	131.5 5.1772	1.35 0.053	RNA 2110	133 29900	360 80900	2000	3000	1.015 2.238
	124.5 4.9016	150 5.9055	45 1.772	131.5 5.1772	1.35 0.053	RNA 3105	203 45600	550 124000	2000	3000	1.762 3.885
132.5 5.2165	132.5 5.2165	155 6.1024	34 1.339	139.5 5.4921	1.35 0.053	RNA 2115	139 31200	380 85400	1900	2900	1.205 2.657
	132.5 5.2165	160 6.2992	45 1.772	139.5 5.4921	1.35 0.053	RNA 3110	210 47200	580 130000	1900	2900	2.037 4.49

Shaft Dia.	F <sub>w</sub>	D	C	E <sub>w</sub>	r <sub>s min</sub>	Bearing Designation	Load Ratings		Speed Rating		Approx. Wt.
							Dynamic	Static	Grease	Oil	
							C	C <sub>0</sub>			
mm in	mm in	mm in	mm in	mm in	mm in		kN lbf		min <sup>-1</sup>	kg lbs	
137 5.3937	137 5.3937	160 6.2992	34 1.339	144.0 5.6693	1.35 0.053	RNA 2120	142 31900	395 88800	1800	2800	1.265 2.789
	137 5.3937	165 6.4961	45 1.772	144.0 5.6693	1.35 0.053	RNA 3115	215 48300	600 135000	1800	2800	2.140 4.718
143.5 5.6496	143.5 5.6496	165 6.4961	34 1.339	150.5 5.9268	1.35 0.053	RNA 2125	145 32600	410 92200	1800	2700	1.218 2.685
	143.5 5.6496	170 6.6929	45 1.772	150.5 5.9268	1.35 0.053	RNA 3120	224 50400	630 142000	1800	2700	2.107 4.645
148 5.8268	148 5.8268	170 6.6929	34 1.339	155.0 6.1039	1.35 0.053	RNA 2130	150 33700	425 95500	1700	2600	1.292 2.848
	148 5.8268	180 7.0866	36 1.417	165.0 6.4976	1.35 0.053	RNA 2140	157 35300	455 102000	1600	2400	1.478 3.258
	148 5.8268	190 7.4803	52 2.047	166.0 6.5354	1.35 0.053	RNA 3130	275 61800	790 178000	1600	2400	3.285 7.242
170.5 6.7126	170.5 6.7126	195 7.6772	36 1.417	177.5 6.9882	1.35 0.053	RNA 2150	165 37100	490 110000	1400	2200	1.790 3.946
	170.5 6.7126	205 8.0709	52 2.047	178.5 7.0276	1.35 0.053	RNA 3140	290 65200	860 193000	1400	2200	3.840 8.466
179.3 7.0591	179.3 7.0591	205 8.0709	36 1.417	186.3 7.3346	1.35 0.053	RNA 2160	170 38200	515 116000	1400	2100	1.970 4.343
	179.3 7.0591	215 8.4646	52 2.047	187.3 7.3756	1.35 0.053	RNA 3150	300 67400	900 202000	1400	2100	4.185 9.226
193.8 7.6299	193.8 7.6299	220 8.6614	42 1.654	200.8 7.9055	1.85 0.073	RNA 2170	233 52400	720 162000	1300	2000	2.570 5.666
	193.8 7.6299	230 9.0551	57 2.244	201.9 7.9496	1.35 0.053	RNA 3160	360 80900	1110 250000	1300	2000	4.955 10.924
202.6 7.9764	202.6 7.9764	230 9.0551	42 1.654	209.6 8.2520	1.85 0.073	RNA 2180	240 54000	750 169000	1200	1900	2.835 6.250
	202.6 7.9764	245 9.6457	42 1.654	223.0 8.7795	1.85 0.073	RNA 2190	250 56200	800 180000	1200	1800	3.210 7.077
216 8.5039	216 8.5039	255 10.0394	57 2.244	224.1 8.8236	1.85 0.073	RNA 3180	385 86600	1240 279000	1200	1800	6.040 13.316
224.1 8.8228	224.1 8.8228	255 10.0394	42 1.654	231.1 9.0984	1.85 0.073	RNA 2200	257 57800	830 187000	1100	1700	3.560 7.848
236 9.2913	236 9.2913	265 10.4331	42 1.654	243.1 9.5693	1.85 0.073	RNA 2210	279 62700	910 205000	1000	1600	3.470 7.650
258.4 10.1732	258.4 10.1732	300 11.8110	64 2.520	268.4 10.5677	1.85 0.073	RNA 3220	490 110000	1650 371000	980	1500	8.570 18.894
269.6 10.6142	269.6 10.6142	300 11.8110	49 1.929	276.6 10.8898	1.85 0.073	RNA 2240	345 77600	1190 268000	910	1400	4.985 10.990
281.9 11.0984	281.9 11.0984	325 12.7953	64 2.520	291.9 11.4921	1.85 0.073	RNA 3240	520 117000	1800 405000	850	1300	9.480 20.900
335 13.1890	335 13.1890	375 14.7638	54 2.126	343.0 13.5039	1.85 0.073	RNA 2300	460 103000	1690 380000	720	1100	8.600 18.960

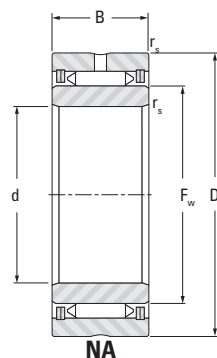




NEEDLE ROLLER BEARINGS  
FULL COMPLEMENT  
WITH INNER RINGS

METRIC SERIES

- Check for availability.



Shaft Dia.	d	D	B	F <sub>w</sub>	r <sub>s</sub> min	Bearing Designation	Load Ratings		Speed Rating		Approx. Wt.
							Dynamic	Static	Grease	Oil	
							C	C <sub>0</sub>			
<b>mm</b>	<b>mm</b>	<b>mm</b>	<b>mm</b>	<b>mm</b>	<b>mm</b>		<b>kN</b>		<b>min<sup>-1</sup></b>		<b>kg</b>
<b>in</b>	<b>in</b>	<b>in</b>	<b>in</b>	<b>in</b>	<b>in</b>		<b>lbf</b>				<b>lbs</b>
100 3.9370	100 3.9370	145 5.7087	43 1.693	119.2 4.6929	1.35 0.053	NA 3100	195.0 43800	520 117000	2100	3200	2.74 6.03
105 4.1339	105 4.1339	140 5.5118	32 1.260	119.2 4.6929	1.35 0.053	NA 2105	129.0 29000	340 76400	2100	3200	1.56 3.43
		150 5.9055	45 1.772	124.7 4.9094	1.35 0.053	NA 3105	203.0 45600	550 124000	2000	3000	2.99 6.59
110 4.3307	110 4.3307	145 5.7087	34 1.339	124.7 4.9094	1.35 0.053	NA 2110	133.0 29900	360 80900	2000	3000	1.72 3.79
		160 6.2992	45 1.772	132.5 5.2165	1.35 0.053	NA 3110	210.0 47200	580 130000	1900	2900	3.53 7.79
115 4.5276	115 4.5276	155 6.1024	34 1.339	132.5 5.2165	1.35 0.053	NA 2115	139.0 31200	380 85400	1900	2900	2.10 4.63
		165 6.4961	45 1.772	137.0 5.3937	1.35 0.053	NA 3115	215.0 48300	600 135000	1800	2800	3.66 8.07
120 4.7244	120 4.7244	160 6.2992	34 1.339	137.0 5.3937	1.35 0.053	NA 2120	142.0 31900	395 88800	1800	2800	2.17 4.78
		170 6.6929	45 1.772	143.5 5.6496	1.35 0.053	NA 3120	224.0 50400	630 142000	1800	2700	3.79 8.36
125 4.9213	125 4.9213	165 6.4961	34 1.339	143.5 5.6496	1.35 0.053	NA 2125	145.0 32600	410 92200	1800	2700	2.24 4.94
130 5.1181	130 5.1181	170 6.6929	34 1.339	148.0 5.8268	1.35 0.053	NA 2130	150.0 33700	425 95500	1700	2600	2.33 5.13
140 5.5118	140 5.5118	180 7.0866	36 1.417	158.0 6.2205	1.35 0.053	NA 2140	157.0 35300	455 102000	1600	2400	2.64 5.83
		205 8.0709	52 2.047	170.5 6.7126	1.35 0.053	NA 3140	290.0 65200	860 193000	1400	2200	6.84 15.1
150 5.9055	150 5.9055	195 7.6772	36 1.417	170.5 6.7126	1.35 0.053	NA 2150	165.0 37100	490 110000	1400	2200	3.23 7.12
160 6.2992	160 6.2992	205 8.0709	36 1.417	179.3 7.0591	1.35 0.053	NA 2160	170.0 38200	515 116000	1400	2100	3.40 7.50
170 6.6929	170 6.6929	220 8.6614	42 1.654	193.8 7.6299	1.35 0.053	NA 2170	233.0 52400	720 162000	1300	2000	4.77 10.5
180 7.0866	180 7.0866	230 9.0551	42 1.654	202.6 7.9764	1.35 0.053	NA 2180	240.0 54000	750 169000	1200	1900	5.01 11.0
190 7.4803	190 7.4803	245 9.6457	42 1.654	216.0 8.5039	1.35 0.053	NA 2190	250.0 56200	800 180000	1200	1800	5.89 13.0
200 7.8740	200 7.8740	255 10.0394	42 1.654	224.1 8.8228	1.35 0.053	NA 2200	257.0 57800	830 187000	1100	1700	6.15 13.6

NEEDLE ROLLER BEARINGS

INCH SERIES

When there is a requirement for a rolling bearing to support very high dynamic, static or even shock loads with a restricted mounting space – the needle roller bearing may give best results.

REFERENCE STANDARDS ARE:

- ANSI/ABMA Standard 18.2 – needle roller bearings – radial, inch design.
- ASTM Standard F 2246 – standard specification for bearing, roller, needle: thick outer ring with rollers and cage.
- Military Standard MS 51961 – bearing, roller, needle: thick outer ring with rollers and cage.
- ASTM Standard F2431 – standard specification for ring, bearing, inner: needle roller bearing with thick outer ring.

IDENTIFICATION

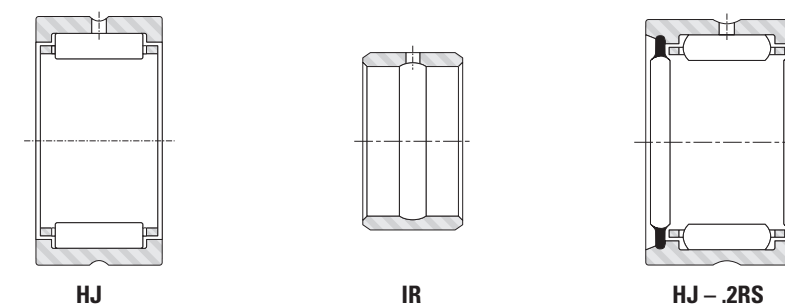


Fig. B4-11. Construction of inch series heavy-duty needle roller bearings

The prefix letters HJ in the needle roller bearing designation denote that the bearing is manufactured to inch nominal dimensions.

Bearings are available with one or two lip-contact seals, as listed on pages B-4-52 and B-4-53. One seal is designated by suffix letters RS. Two seals are designated by .2RS.

Inner rings can be used with HJ Series needle roller bearings for applications where it is impractical to use the shaft as the inner

raceway. These inch series inner rings are identified by the prefix letters IR.

Because the entire identification code may not appear on the bearing itself, the manufacturer's parts list or another reliable source should always be consulted when ordering bearings for service or field replacement to make certain that the correct bearing with the correct lubricant is used.

CONSTRUCTION

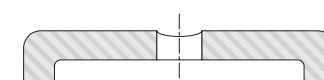


Fig. B4-12. One-piece, channel-shaped outer ring



Fig. B4-13. Steel cage

The HJ Series needle roller bearing has a one-piece channel-shaped outer ring of bearing-quality steel heat treated to provide maximum load rating. The integral end flanges provide axial location for the needle rollers. The bores of the end flanges serve as piloting surfaces for the cage, locating it to prevent removal of the lubricant film on the raceway.

These bearings have a steel cage, which provides inward retention for the needle rollers. The design assures roller stability and minimizes friction between the cage and the needle rollers. The cage has a maximum strength consistent with the inherent high load ratings of needle roller bearings.

The needle rollers are made from high-carbon chrome steel, through-hardened, ground and lapped to close tolerance with controlled contour for optimum load distribution.

SEALS

Shaft contact seals, which fit into the same housing bore as the heavy-duty needle roller bearings, may be obtained from recognized seal manufacturers. Bearings can also be made available with one or two integral seals. For information and listing of sealed bearings, see pages B-4-52 and B-4-53.



## LUBRICATION

The outer rings of the HJ bearings are supplied with a lubrication groove on the O.D. and a lubrication hole in this groove to facilitate re-lubrication through the outer ring. The IR inner rings have lubrication grooves in the bore and a re-lubrication hole to facilitate re-lubrication through the inner ring.

HJ Series bearings (with or without seals) are typically shipped protected with a corrosion-preventive compound that is not a lubricant. When specified by the customer, HJ Series bearings may be ordered prelubricated with suitable greases and oils.

## MOUNTING DIMENSIONS

HJ needle roller bearings are normally mounted in their housings with a clearance fit if the load is stationary relative to the housing, and with a tight transition fit if the load rotates relative to the housing. Because the tight transition fit of the bearing in its housing may result in a reduction of the needle roller complement bore diameter, the shaft raceway diameter should be reduced to a like amount.

The mounting dimensions in the bearing tables (pages B-4-48 to B-4-53) list the suggested ISO H7 tolerances for the housing bore and the suggested ISO h6 tolerances for the shaft raceway when the outer ring is to be mounted with a clearance fit. The tables also list the suggested ISO N7 tolerances for the housing bore and the suggested ISO f6 tolerances for the shaft raceway when the outer ring is to be mounted with a tight transition fit.

Other mounting dimensions may be required for special conditions such as:

1. Extremely heavy radial loads.
2. Shock loads.
3. Load rotating relative to both inner and outer rings.
4. Temperature gradient across bearing.
5. Housing with heat expansion coefficient differing from that of the bearing.

If these conditions are expected, please consult your representative.

## DIMENSIONAL ACCURACY, BEARINGS

### HJ SERIES

Tolerances for the HJ bearings are given in Tables B4-8 and B4-9. Pages B-4-48 to B-4-53 list the nominal outer diameter, width and needle roller complement bore diameter for the HJ bearings.

Table B4-8. Outer diameter and width tolerances, HJ bearings

D				Deviation from nominal							
Nominal outer diameter				of single mean outer diameter, $D_{mp}^{(1)}$				of width, C			
>	≤	>	≤	Max.	Min.	Max.	Min.	Max.	Min.	Max.	Min.
mm	mm	in	in	mm	mm	in	in	mm	mm	in	in
19.050	50.800	0.7500	2.0000	+0	-0.013	+0	-0.0005	+0	-0.013	+0	-0.005
50.800	82.550	2.0000	3.2500	+0	-0.015	+0	-0.0006	+0	-0.013	+0	-0.005
82.550	120.650	3.2500	4.7500	+0	-0.020	+0	-0.0008	+0	-0.013	+0	-0.005

<sup>(1)</sup> "Single mean diameter" is defined as the mean diameter in a single radial plane.

Table B4-9. Roller complement bore tolerance, HJ bearings

$F_w$				Deviation from nominal of the smallest single diameter <sup>(1)</sup> of the roller complement bore, $F_m^{(1)}$			
Nominal roller complement bore diameter				Max.	Min.	Max.	Min.
>	≤	>	≤	mm	mm	in	in
mm	mm	in	in	mm	mm	in	in
12.700	15.875	0.5000	0.6250	+0.043	+0.020	+0.0017	+0.0008
15.875	28.575	0.6250	1.1250	+0.046	+0.023	+0.0018	+0.0009
28.575	41.275	1.1250	1.6250	+0.048	+0.025	+0.0019	+0.0010
41.275	47.625	1.6250	1.8750	+0.050	+0.025	+0.0020	+0.0010
47.625	69.850	1.8750	2.7500	+0.053	+0.028	+0.0021	+0.0011
69.850	76.200	2.7500	3.0000	+0.058	+0.028	+0.0023	+0.0011
76.200	101.600	3.0000	4.0000	+0.060	+0.030	+0.0024	+0.0012

<sup>(1)</sup> "The smallest single diameter of the roller complement bore" is defined as the diameter of the cylinder which, when used as a bearing inner ring, results in zero radial internal clearance in the bearing on at least one diameter.

## DIMENSIONAL ACCURACY, INNER RINGS

### IR SERIES

Tolerances for the IR inner rings are given in Tables B4-10 and B4-11. Pages B-4-54 to B-4-57 list the nominal outer diameter, width and bore diameter for the IR series inner rings.

Table B4-10. Bore and width tolerances, IR inner rings

d				Deviation from nominal							
Nominal bore diameter				of single mean bore diameter, $d_{mp}^{(1)}$				of width, B			
>	≤	>	≤	Max.	Min.	Max.	Min.	Max.	Min.	Max.	Min.
mm	mm	in	in	mm	mm	in	in	mm	mm	in	in
7.938	19.050	0.3125	0.7500	+0	-0.010	+0	-0.0004	+0.25	+0.12	+0.010	+0.005
19.050	50.800	0.7500	2.0000	+0	-0.013	+0	-0.0005	+0.25	+0.12	+0.010	+0.005
50.800	82.550	2.0000	3.2500	+0	-0.015	+0	-0.0006	+0.25	+0.12	+0.010	+0.005

<sup>(1)</sup> "Single mean diameter" is defined as the mean diameter in a single radial plane.

Table B4-11. Outer diameter tolerance, IR inner rings

F				Deviation from nominal of single mean outer diameter, $F_{mp}^{(1)}$			
Nominal outer diameter				Max.	Min.	Max.	Min.
>	≤	>	≤	mm	mm	in	in
mm	mm	in	in	mm	mm	in	in
12.700	15.875	0.5000	0.6250	-0.013	-0.023	-0.0005	-0.0009
15.875	25.400	0.6250	1.0000	-0.018	-0.031	-0.0007	-0.0012
25.400	28.575	1.0000	1.1250	-0.023	-0.036	-0.0009	-0.0014
28.575	34.925	1.1250	1.3750	-0.023	-0.036	-0.0009	-0.0015
34.925	47.625	1.3750	1.8750	-0.025	-0.038	-0.0010	-0.0016
47.625	76.200	1.8750	3.0000	-0.028	-0.040	-0.0011	-0.0018
76.200	95.250	3.0000	3.7500	-0.033	-0.046	-0.0013	-0.0022

<sup>(1)</sup> "Single mean diameter" is defined as the mean diameter in a single radial plane.

## LOAD RATING FACTORS

### DYNAMIC LOADS

Needle roller bearings can accommodate only radial loads.

$$P = F_r$$

P = The maximum dynamic radial load that may be applied to a needle roller bearing based on the dynamic load rating, C, given in the bearing tables. This load should be  $\leq C/3$ .

### STATIC LOADS

Needle roller bearings can accommodate only radial loads.

$$P_0 = F_r$$

## SPECIAL BEARINGS

For needle roller bearings with special dimensions or special features, such as split outer ring, consult your representative.





HJ TYPE

INCH SERIES

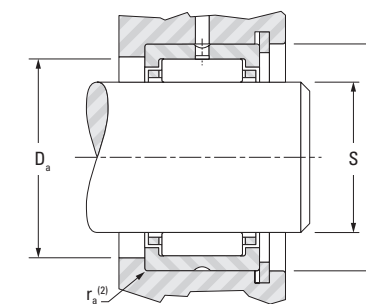
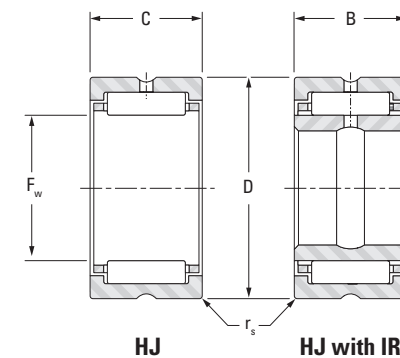
- Check for availability.
- Nominal bearing diameters and widths shown.
- Tolerance tables found on page B-4-46.
- Clearance fit suggested for outer ring when housing is stationary relative to load.
- Tight transition fit suggested if housing rotates relative to load.

- Consult your representative for oscillating applications (e.g., low radial clearance concerns).
- Unmarked end of outer ring should be assembled against housing shoulder to clear maximum allowed housing fillet.
- Meets Military Standard MS 51961 and ASTM F2246.

Shaft Dia.	F <sub>w</sub>	D	C (B)	r <sub>s</sub> min	Bearing Designation	Used With Inner Ring Designation <sup>(1)</sup>	Load Ratings		Speed Rating		Approx. Wt.
							Dynamic	Static	Grease	Oil	
							C	C <sub>0</sub>	min <sup>-1</sup>		
5/8	15.875 0.6250	28.575 1.1250	19.050 0.750	0.64 0.03	HJ-101812	IR-061012	19.3 4350	20.7 4650	20000	30000	0.050 0.11
3/4	19.050 0.7500	31.750 1.2500	19.050 0.750	1.02 0.04	HJ-122012	IR-081212	20.7 4650	23.3 5240	16000	25000	0.059 0.13
	19.050 0.7500	31.750 1.2500	25.400 1.000	1.02 0.04	HJ-122016	IR-081216	27.5 6190	33.7 7580	16000	25000	0.077 0.17
7/8	22.225 0.8750	34.925 1.3750	19.050 0.750	1.02 0.04	HJ-142212	IR-101412	23 5180	27.9 6270	13000	21000	0.064 0.14
	22.225 0.8750	34.925 1.3750	25.400 1.000	1.02 0.04	HJ-142216	IR-101416	30.7 6910	40.3 9070	13000	21000	0.086 0.19
1	25.400 1.0000	38.100 1.5000	19.050 0.750	1.02 0.04	HJ-162412	IR-121612	25.3 5680	32.5 7300	12000	18000	0.073 0.16
	25.400 1.0000	38.100 1.5000	25.400 1.000	1.02 0.04	HJ-162416	IR-121616 IR-131616	33.6 7560	47.2 10600	12000	18000	0.095 0.21
1 1/8	28.575 1.1250	41.275 1.6250	25.400 1.000	1.02 0.04	HJ-182616	IR-141816 IR-151816	36.3 8170	53.8 12100	10000	16000	0.104 0.23
	28.575 1.1250	41.275 1.6250	31.750 1.250	1.02 0.04	HJ-182620	IR-141820 IR-151820	44.9 10100	70.3 15800	10000	16000	0.132 0.29
1 1/4	31.750 1.2500	44.450 1.7500	25.400 1.000	1.02 0.04	HJ-202816	IR-162016	37.4 8410	57.4 12900	9100	14000	0.113 0.25
	31.750 1.2500	44.450 1.7500	31.750 1.250	1.02 0.04	HJ-202820	IR-162020	46.3 10400	75.2 16900	9100	14000	0.145 0.32
1 3/8	34.925 1.3750	47.625 1.8750	25.400 1.000	1.02 0.04	HJ-223016	IR-182216	39.8 8950	64.1 14400	8200	13000	0.127 0.28
	34.925 1.3750	47.625 1.8750	31.750 1.250	1.02 0.04	HJ-223020	IR-182220	49.4 11100	84.1 18900	8200	13000	0.159 0.35
1 1/2	38.100 1.5000	52.388 2.0625	25.400 1.000	1.52 0.06	HJ-243316	IR-202416	47.6 10700	72.5 16300	7600	12000	0.154 0.34
	38.100 1.5000	52.388 2.0625	31.750 1.250	1.52 0.06	HJ-243320	IR-192420 IR-202420	58.7 13200	95.2 21400	7600	12000	0.195 0.43
1 5/8	41.275 1.6250	55.563 2.1875	25.400 1.000	1.52 0.06	HJ-263516	IR-212616	48.5 10900	76.5 17200	7000	11000	0.163 0.36
	41.275 1.6250	55.563 2.1875	31.750 1.250	1.52 0.06	HJ-263520	IR-212620 IR-222620	60.1 13500	100.5 22600	7000	11000	0.209 0.46
1 3/4	44.450 1.7500	58.738 2.3125	25.400 1.000	1.52 0.06	HJ-283716	IR-232816 IR-242816	49.8 11200	81.0 18200	6400	9900	0.177 0.39

<sup>(1)</sup> See pages B-4-54 to B-4-57 for inch series inner rings. Order inner rings separately.

<sup>(2)</sup> r<sub>a</sub> max is equal to the minimum bearing chamfer (r<sub>s</sub> min) at unmarked end.



Shaft surface to be 58 HRC or equivalent

S (ISO h6)		H (ISO H7)		Bearing Designation	S (ISO f6)		H (ISO N7)		D <sub>a</sub> Shoulder Dia. ±.015	Shaft Dia. in
Mounting Dimension Clearance Fit					Mounting Dimension Tight Transition Fit					
Max.	Min.	Max.	Min.		Max.	Min.	Max.	Min.		
15.875 0.6250	15.865 0.6246	28.595 1.1258	28.575 1.1250	HJ-101812	15.860 0.6244	15.850 0.6240	28.567 1.1247	28.547 1.1239	23.83 0.938	5/8
19.050 0.7500	19.037 0.7495	31.775 1.2510	31.750 1.2500	HJ-122012	19.030 0.7492	19.017 0.7487	31.742 1.2497	31.717 1.2487	26.97 1.062	3/4
19.050 0.7500	19.037 0.7495	31.775 1.2510	31.750 1.2500	HJ-122016	19.030 0.7492	19.017 0.7487	31.742 1.2497	31.717 1.2487	26.97 1.062	
22.225 0.8750	22.212 0.8745	34.950 1.3760	34.925 1.3750	HJ-142212	22.205 0.8742	22.192 0.8737	34.917 1.3747	34.892 1.3737	30.18 1.188	7/8
22.225 0.8750	22.212 0.8745	34.950 1.3760	34.925 1.3750	HJ-142216	22.205 0.8742	22.192 0.8737	34.917 1.3747	34.892 1.3737	30.18 1.188	
25.400 1.0000	25.387 0.9995	38.125 1.5010	38.100 1.5000	HJ-162412	25.380 0.9992	25.367 0.9987	38.092 1.4997	38.067 1.4987	33.32 1.312	1
25.400 1.0000	25.387 0.9995	38.125 1.5010	38.100 1.5000	HJ-162416	25.380 0.9992	25.367 0.9987	38.092 1.4997	38.067 1.4987	33.32 1.312	
28.575 1.1250	28.562 1.1245	41.300 1.6260	41.275 1.6250	HJ-182616	28.555 1.1242	28.542 1.1237	41.267 1.6247	41.242 1.6237	36.53 1.438	1 1/8
28.575 1.1250	28.562 1.1245	41.300 1.6260	41.275 1.6250	HJ-182620	28.555 1.1242	28.542 1.1237	41.267 1.6247	41.242 1.6237	36.53 1.438	
31.750 1.2500	31.735 1.2494	44.475 1.7510	44.450 1.7500	HJ-202816	31.725 1.2490	31.709 1.2484	44.442 1.7497	44.417 1.7487	39.67 1.562	1 1/4
31.750 1.2500	31.735 1.2494	44.475 1.7510	44.450 1.7500	HJ-202820	31.725 1.2490	31.709 1.2484	44.442 1.7497	44.417 1.7487	39.67 1.562	
34.925 1.3750	34.910 1.3744	47.650 1.8760	47.625 1.8750	HJ-223016	34.900 1.374	34.884 1.3734	47.617 1.8747	47.592 1.8737	42.88 1.688	1 3/8
34.925 1.3750	34.910 1.3744	47.650 1.8760	47.625 1.8750	HJ-223020	34.900 1.3740	34.884 1.3734	47.617 1.8747	47.592 1.8737	42.88 1.688	
38.100 1.5000	38.085 1.4994	52.418 2.0637	52.388 2.0625	HJ-243316	38.075 1.4990	38.059 1.4984	52.380 2.0622	52.349 2.0610	47.63 1.875	1 1/2
38.100 1.5000	38.085 1.4994	52.418 2.0637	52.388 2.0625	HJ-243320	38.075 1.4990	38.059 1.4984	52.380 2.0622	52.349 2.0610	47.63 1.875	
41.275 1.6250	41.260 1.6244	55.593 2.1887	55.563 2.1875	HJ-263516	41.250 1.6240	41.234 1.6234	55.555 2.1872	55.524 2.1860	50.80 2.000	1 5/8
41.275 1.6250	41.260 1.6244	55.593 2.1887	55.563 2.1875	HJ-263520	41.250 1.6240	41.234 1.6234	55.555 2.1872	55.524 2.1860	50.80 2.000	
44.450 1.7500	44.435 1.7494	58.768 2.3137	58.738 2.3125	HJ-283716	44.425 1.7490	44.409 1.7484	58.730 2.3122	58.699 2.3110	53.98 2.125	1 3/4

Continued on next page.



**HJ TYPE**

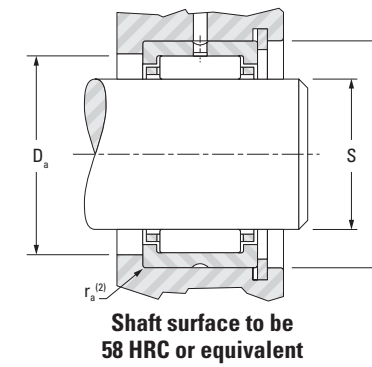
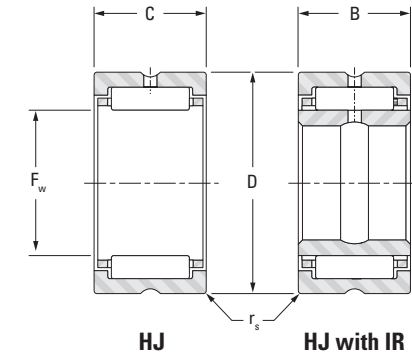
**INCH SERIES**

- Check for availability.
- Nominal bearing diameters and widths shown.
- Tolerance tables found on page B-4-46.
- Clearance fit suggested for outer ring when housing is stationary relative to load.
- Tight transition fit suggested if housing rotates relative to load.

- Consult your representative for oscillating applications (e.g., low radial clearance concerns).
- Unmarked end of outer ring should be assembled against housing shoulder to clear maximum allowed housing fillet ( $r_{a \max}^{(2)}$ ).
- Meets Military Standard MS 51961 and ASTM F2246.

Shaft Dia.	F <sub>w</sub>	D	C (B)	r <sub>s min</sub>	Bearing Designation	Used With Inner Ring Designation <sup>(1)</sup>	Load Ratings		Speed Rating		Approx. Wt.
							Dynamic	Static	Grease	Oil	
							C	C <sub>0</sub>			
							kN lbf		min <sup>-1</sup>		kg lbs
1 3/4	44.450 1.7500	58.738 2.3125	31.750 1.250	1.52 0.06	HJ-283720	IR-222820 IR-232820 IR-253820	61.8 13900	106 23900	6400	9900	0.222 0.49
1 7/8	47.625 1.8750	61.913 2.4375	31.750 1.250	1.52 0.06	HJ-303920	IR-253020	65.4 14700	117 26300	6000	9200	0.236 0.52
2	50.800 2.0000	65.088 2.5625	25.400 1.000	1.52 0.06	HJ-324116	IR-273216	53.8 12100	93.0 20900	5600	8600	0.200 0.44
	50.800 2.0000	65.088 2.5625	31.750 1.250	1.52 0.06	HJ-324120	IR-243220 IR-253220 IR-263220 IR-273220	66.7 15000	122 27500	5600	8600	0.249 0.55
2 1/4	57.150 2.2500	76.200 3.0000	38.100 1.500	1.52 0.06	HJ-364824	IR-283624	89.9 20200	164 36900	5000	7600	0.458 1.01
	57.150 2.2500	76.200 3.0000	44.450 1.750	1.52 0.06	HJ-364828	IR-283628	104 23400	198 44500	5000	7600	0.531 1.17
2 1/2	63.500 2.5000	82.550 3.2500	38.100 1.500	2.03 0.08	HJ-405224	IR-314024 IR-324024	97.0 21800	187 42100	4400	6800	0.499 1.10
	63.500 2.5000	82.550 3.2500	44.450 1.750	2.03 0.08	HJ-405228	IR-314028 IR-324028	97.0 25200	187 50800	4400	6800	0.499 1.29
2 3/4	69.850 2.7500	88.900 3.5000	25.400 1.000	2.03 0.08	HJ-445616	—	67.2 15100	120 27000	4000	6200	0.363 0.80
	69.850 2.7500	88.900 3.5000	38.100 1.500	2.03 0.08	HJ-445624	IR-364424	101 22700	203 45700	4000	6200	0.544 1.20
3	69.850 2.7500	88.900 3.5000	44.450 1.750	2.03 0.08	HJ-445628	IR-354428 IR-364428	117 26300	245 55100	4000	6200	0.635 1.40
	76.200 3.0000	95.250 3.7500	38.100 1.500	2.03 0.08	HJ-486024	IR-404824	107 24100	226 50900	3700	5600	0.585 1.29
3 1/4	76.200 3.0000	95.250 3.7500	44.450 1.750	2.03 0.08	HJ-486028	IR-384828 IR-404828	124 27900	273 61400	3700	5600	0.685 1.51
	82.550 3.2500	107.950 4.2500	44.450 1.750	2.03 0.08	HJ-526828	IR-445228	162 36400	305 68600	3400	5300	1.016 2.24
3 1/2	82.550 3.2500	107.950 4.2500	50.800 2.000	2.03 0.08	HJ-526832	IR-445232	184 41300	358 80500	3400	5300	1.161 2.56
	88.900 3.5000	114.300 4.5000	50.800 2.000	2.03 0.08	HJ-567232	IR-475632 IR-485632	187 42000	375 84300	3200	4900	1.238 2.73

<sup>(1)</sup> See pages B-4-54 to B-4-57 for inch series inner rings. Order inner rings separately.  
<sup>(2)</sup> r<sub>a max</sub> is equal to the minimum bearing chamfer (r<sub>s min</sub>) at unmarked end.



Shaft surface to be 58 HRC or equivalent

S (ISO h6)		H (ISO H7)		Bearing Designation	S (ISO f6)		H (ISO N7)		D <sub>a</sub>	Shaft Dia.
Mounting Dimension Clearance Fit					Mounting Dimension Tight Transition Fit					
Max.	Min.	Max.	Min.		Max.	Min.	Max.	Min.		
mm in	mm in	mm in	mm in		mm in	mm in	mm in	mm in	mm in	in
44.450 1.7500	44.435 1.7494	58.768 2.3137	58.738 2.3125	HJ-283720	44.425 1.7490	44.409 1.7484	58.730 2.3122	58.699 2.3110	53.98 2.125	
47.625 1.8750	47.610 1.8744	61.943 2.4387	61.913 2.4375	HJ-303920	47.600 1.8740	47.584 1.8734	61.905 2.4372	61.874 2.4360	57.15 2.250	1 7/8
50.800 2.0000	50.782 1.9993	65.118 2.5637	65.088 2.5625	HJ-324116	50.770 1.9988	50.752 1.9981	65.080 2.5622	65.049 2.5610	60.33 2.375	
50.800 2.0000	50.782 1.9993	65.118 2.5637	65.088 2.5625	HJ-324120	50.770 1.9988	50.752 1.9981	65.080 2.5622	65.049 2.5610	60.33 2.375	2
57.150 2.2500	57.132 2.2493	76.230 3.0012	76.200 3.0000	HJ-364824	57.120 2.2488	57.102 2.2481	76.192 2.9997	76.162 2.9985	68.28 2.688	2 1/4
57.150 2.2500	57.132 2.2493	76.230 3.0012	76.200 3.0000	HJ-364828	57.120 2.2488	57.102 2.2481	76.192 2.9997	76.162 2.9985	68.28 2.688	
63.500 2.5000	63.482 2.4993	82.586 3.2514	82.550 3.2500	HJ-405224	63.470 2.4988	63.452 2.4981	82.537 3.2495	82.502 3.2481	74.63 2.938	2 1/2
63.500 2.5000	63.482 2.4993	82.586 3.2514	82.550 3.2500	HJ-405228	63.470 2.4988	63.452 2.4981	82.537 3.2495	82.502 3.2481	74.63 2.938	
69.850 2.7500	69.832 2.7493	88.936 3.5014	88.900 3.5000	HJ-445616	69.820 2.7488	69.802 2.7481	88.887 3.4995	88.852 3.4981	80.98 3.188	
69.850 2.7500	69.832 2.7493	88.936 3.5014	88.900 3.5000	HJ-445624	69.820 2.7488	69.802 2.7481	88.887 3.4995	88.852 3.4981	80.98 3.188	2 3/4
69.850 2.7500	69.832 2.7493	88.936 3.5014	88.900 3.5000	HJ-445628	69.820 2.7488	69.802 2.7481	88.887 3.4995	88.852 3.4981	80.98 3.188	
76.200 3.0000	76.182 2.9993	95.286 3.7514	95.250 3.7500	HJ-486024	76.170 2.9988	76.152 2.9981	95.237 3.7495	95.202 3.7481	87.33 3.438	3
76.200 3.0000	76.182 2.9993	95.286 3.7514	95.250 3.7500	HJ-486028	76.170 2.9988	76.152 2.9981	95.237 3.7495	95.202 3.7481	87.33 3.438	
82.550 3.2500	82.527 3.2491	107.986 4.2514	107.950 4.2500	HJ-526828	82.514 3.2486	82.492 3.2477	107.937 4.2495	107.902 4.2481	98.43 3.875	3 1/4
82.550 3.2500	82.527 3.2491	107.986 4.2514	107.950 4.2500	HJ-526832	82.514 3.2486	82.492 3.2477	107.937 4.2495	107.902 4.2481	98.43 3.875	
88.900 3.5000	88.877 3.4991	114.336 4.5014	114.300 4.5000	HJ-567232	88.864 3.4986	88.842 3.4977	114.287 4.4995	114.252 4.4981	104.78 4.125	3 1/2



SEALED HEAVY-DUTY NEEDLE ROLLER BEARINGS

INCH SERIES

- Bearing diameters and widths listed are nominal.
- For inspection purposes, see tolerance tables on page B-4-46.
- Available with one or two lip-contact seals designed to retain lubricant and exclude foreign material.
- Single seals are normally installed in the stamped end of bearing.

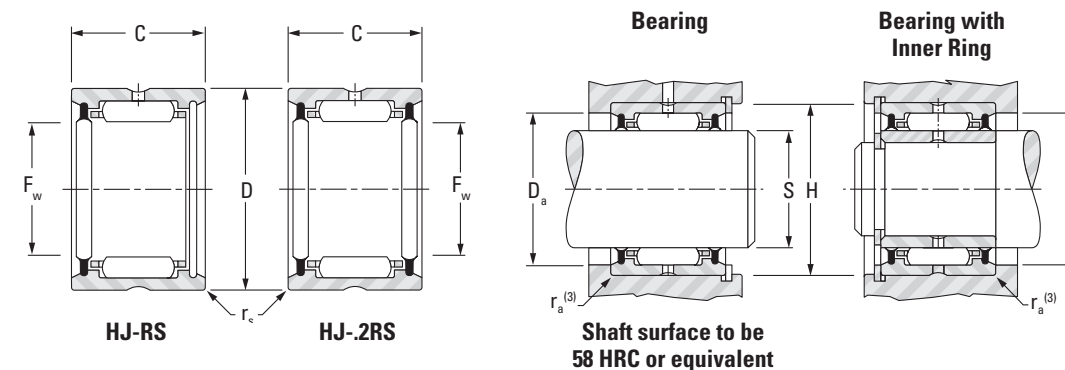
- Seals limit the bearing operating temperature between -30° C and +110° C (-25° F and +225° F).
- For operating temperature outside of the above range or if seals are exposed to unusual fluids, please consult your representative.

Shaft Dia.	F <sub>w</sub>	D	C (B)	r <sub>s min</sub>	Bearing Designation		Used With Inner Ring <sup>(1)</sup>	Load Ratings		Speed Rating <sup>(2)</sup>
					One Seal	Two Seals		Dynamic	Static	
								C	C <sub>0</sub>	
in	mm in	mm in	mm in	mm in				kN lbf	min <sup>-1</sup>	
5/8	15.875 0.6250	28.575 1.1250	25.40 1.000	0.64 0.03	HJ-101816RS	HJ-101816.2RS	—	19.3 4350	20.7 4650	12000
3/4	19.050 0.7500	31.750 1.2500	25.40 1.000	1.02 0.04	HJ-122016RS	HJ-122016.2RS	IR-081216	20.7 4650	23.3 5240	10000
7/8	22.225 0.8750	34.925 1.3750	25.40 1.000	1.02 0.04	HJ-142216RS	HJ-142216.2RS	IR-101416	23.0 5180	27.9 6270	8700
1	25.400 1.0000	38.100 1.5000	25.40 1.000	1.02 0.04	HJ-162416RS	HJ-162416.2RS	IR-121616 IR-131616	25.3 5680	32.5 7300	7600
1 1/8	28.575 1.1250	41.275 1.6250	31.75 1.250	1.02 0.04	HJ-182620RS	HJ-182620.2RS	IR-141820	36.3 8170	53.8 12100	6800
1 1/4	31.750 1.2500	44.450 1.7500	31.75 1.250	1.02 0.04	HJ-202820RS	HJ-202820.2RS	IR-162020	37.4 8410	57.4 12900	6100
1 3/8	34.925 1.3750	47.625 1.8750	31.75 1.250	1.02 0.04	HJ-223020RS	HJ-223020.2RS	IR-182220	39.8 8950	64.1 14400	5600
1 1/2	38.100 1.5000	52.388 2.0625	31.75 1.250	1.52 0.06	HJ-243320RS	HJ-243320.2RS	IR-192420	47.6 10700	72.5 16300	5100
1 5/8	41.275 1.6250	55.563 2.1875	31.75 1.250	1.52 0.06	HJ-263520RS	HJ-263520.2RS	IR-212620	48.5 10900	76.5 17200	2400
1 3/4	44.450 1.7500	58.738 2.3125	31.75 1.250	1.52 0.06	HJ-283720RS	HJ-283720.2RS	IR-222820 IR-232820 IR-242820	49.8 11200	81.0 18200	4400
2	50.800 2.0000	65.088 2.5625	31.75 1.250	1.52 0.06	HJ-324120RS	HJ-324120.2RS	IR-243220 IR-253220 IR-263220 IR-273220	53.8 12100	93.0 20900	3800
2 1/4	57.150 2.2500	76.200 3.0000	44.45 1.750	1.52 0.06	HJ-364828RS	HJ-364828.2RS	IR-283628	89.9 20200	164.1 36900	1700
2 1/2	63.500 2.5000	82.550 3.2500	44.45 1.750	2.03 0.08	HJ-405228RS	HJ-405228.2RS	IR-314028 IR-324028	97.0 21800	187.3 42100	3100
2 3/4	69.850 2.7500	88.900 3.5000	44.45 1.750	2.03 0.08	HJ-445628RS	HJ-445628.2RS	IR-354428 IR-364428	101.0 22700	203.3 45700	1400
3	76.200 3.0000	95.250 3.7500	44.45 1.750	2.03 0.08	HJ-486028RS	HJ-486028.2RS	IR-384828 IR-404828	107.2 24100	226.4 50900	2500

<sup>(1)</sup> See pages B-4-54 to B-4-57 for inch series inner rings. Order inner rings separately.

<sup>(2)</sup> Based on standard seal shaft contact speed of 5 m/sec., 1000 ft./min.

<sup>(3)</sup> r<sub>a max</sub> is equal to the minimum bearing chamfer (r<sub>s min</sub>) at unmarked end.



Approx. Wt.	S (ISO h6)		H (ISO H7)		Bearing Designation	S (ISO f6)		H (ISO N7)		D <sub>a</sub> Shoulder Dia. ±.38 ±.015	Shaft Dia. in
	Mounting Dimension Clearance Fit					Mounting Dimension Tight Transition Fit					
	Max.	Min.	Max.	Min.		Max.	Min.	Max.	Min.		
	mm in	mm in	mm in	mm in		mm in	mm in	mm in	mm in		
0.07 0.15	15.875 0.6250	15.865 0.6246	28.595 1.1258	28.575 1.1250	HJ-101816-	15.860 0.6244	15.850 0.6240	28.567 1.1247	28.547 1.1239	23.83 0.938	5/8
0.08 0.17	19.050 0.7500	19.037 0.7495	31.775 1.2510	31.750 1.2500	HJ-122016-	19.030 0.7492	19.017 0.7487	31.742 1.2497	31.717 1.2487	26.97 1.062	3/4
0.09 0.19	22.225 0.8750	22.212 0.8745	34.950 1.3760	34.925 1.3750	HJ-142216-	22.205 0.8742	22.192 0.8737	34.917 1.3747	34.892 1.3737	30.18 1.188	7/8
0.10 0.21	25.400 1.0000	25.387 0.9995	38.125 1.5010	38.100 1.5000	HJ-162416-	25.380 0.9992	25.367 0.9987	38.092 1.4997	38.067 1.4987	33.32 1.312	1
0.13 0.29	28.575 1.1250	28.562 1.1245	41.300 1.6260	41.275 1.6250	HJ-182620-	28.555 1.1242	28.542 1.1237	41.267 1.6247	41.242 1.6237	36.53 1.438	1 1/8
0.15 0.32	31.750 1.2500	31.735 1.2494	44.475 1.7510	44.450 1.7500	HJ-202820-	31.725 1.2490	31.709 1.2484	44.442 1.7497	44.417 1.7487	39.67 1.562	1 1/4
0.16 0.35	34.925 1.3750	34.910 1.3744	47.650 1.8760	47.625 1.8750	HJ-223020-	34.900 1.3740	34.884 1.3734	47.617 1.8747	47.592 1.8737	42.88 1.688	1 3/8
0.20 0.43	38.100 1.5000	38.085 1.4994	52.418 2.0637	52.388 2.0625	HJ-243320-	38.075 1.4990	38.059 1.4984	52.380 2.0622	52.349 2.0610	47.63 1.875	1 1/2
0.21 0.46	41.275 1.6250	41.260 1.6244	55.593 2.1887	55.563 2.1875	HJ-263520-	41.250 1.6240	41.234 1.6234	55.555 2.1872	55.524 2.1860	50.80 2.000	1 5/8
0.22 0.49	44.450 1.7500	44.435 1.7494	58.768 2.3137	58.738 2.3125	HJ-283720-	44.425 1.7490	44.409 1.7484	58.730 2.3122	58.699 2.3110	53.98 2.125	1 3/4
0.25 0.55	50.800 2.0000	50.782 1.9993	65.118 2.5637	65.088 2.5625	HJ-324120-	50.770 1.9988	50.752 1.9981	65.080 2.5622	65.049 2.5610	60.33 2.375	2
0.53 1.17	57.150 2.2500	57.132 2.2493	76.230 3.0012	76.200 3.0000	HJ-364828-	57.120 2.2488	57.102 2.2481	76.192 2.9997	76.162 2.9985	68.28 2.688	2 1/4
0.59 1.29	63.500 2.5000	63.482 2.4993	82.586 3.2514	82.550 3.2500	HJ-405228-	63.470 2.4988	63.452 2.4981	82.537 3.2495	82.502 3.2481	74.63 2.938	2 1/2
0.64 1.40	69.850 2.7500	69.832 2.7493	88.936 3.5014	88.900 3.5000	HJ-445628-	69.820 2.7488	69.802 2.7481	88.887 3.4995	88.852 3.4981	80.98 3.188	2 3/4
0.68 1.51	76.200 3.0000	76.182 2.9993	95.286 3.7514	95.250 3.7500	HJ-486028-	76.170 2.9988	76.152 2.9981	95.237 3.7495	95.202 3.7481	87.33 3.438	3



**INNER RINGS**

**INCH SERIES**

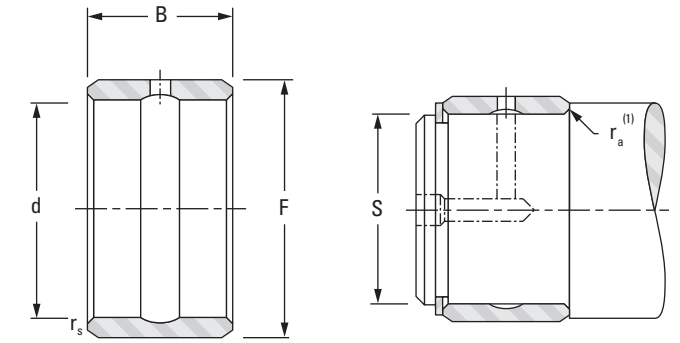
- Check for availability.
- Ideal choice when shaft is not practical to use as inner raceway.
- Provided in inch nominal dimensions for use with inch series heavy-duty needle roller bearings.
- Designed to meet established inch tolerances.
- Selected size should be wider than matching needle roller bearing.

- Maximum shaft fillet radius ( $r_{as \max}$ ) cannot exceed inner ring bore chamfer ( $r_{s \min}$ ) as shown.
- Optional centralized lubrication groove (bore) or through-hole available. Specify when ordering.
- Designed to be axially clamped against shoulder for loose transition fit on shaft.
- After mounting, for tight transition fit (keeping inner ring from rotating relative to shaft), inner ring O.D. must not exceed raceway diameter on matching bearing. (See mounting

Shaft Dia.	d	F	B	$r_{s \min}$	Bearing Designation	Approx. Wt.	S		S		Used With Bearing Designation
							Loose Transition Fit		Interference Fit		
							Max.	Min.	Max.	Min.	
in	mm in	mm in	mm in	mm in	kg lbs	mm in	mm in	mm in	mm in		
<sup>3</sup> / <sub>8</sub>	9.525 0.3750	15.875 0.6250	19.05 0.750	0.64 0.025	IR-061012	0.018 0.040	9.520 0.3748	9.510 0.3744	9.538 0.3755	9.530 0.3752	HJ-101812
<sup>1</sup> / <sub>2</sub>	12.700 0.5000	19.050 0.7500	19.05 0.750	1.02 0.04	IR-081212	0.023 0.050	12.692 0.4997	12.682 0.4993	12.715 0.5006	12.708 0.5003	HJ-122012
							12.700 0.5000	12.682 0.4993	12.715 0.5006	12.708 0.5003	
<sup>5</sup> / <sub>8</sub>	15.875 0.6250	22.225 0.8750	19.05 0.750	1.02 0.04	IR-101412	0.027 0.060	15.867 0.6247	15.857 0.6243	15.890 0.6256	15.883 0.6253	HJ-142212
							15.875 0.6250	15.857 0.6243	15.890 0.6256	15.883 0.6253	
<sup>11</sup> / <sub>16</sub>	17.463 0.6875	22.225 0.8750	19.05 0.750	1.02 0.04	IR-111412	0.023 0.050	17.455 0.6872	17.445 0.6868	17.478 0.6881	17.470 0.6878	HJ-142212
							17.463 0.6875	17.445 0.6868	17.478 0.6881	17.470 0.6878	
<sup>3</sup> / <sub>4</sub>	19.050 0.7500	25.400 1.0000	19.05 0.750	1.02 0.04	IR-121612	0.032 0.070	19.042 0.7497	19.030 0.7492	19.068 0.7507	19.058 0.7503	HJ-162412
							19.050 0.7500	19.030 0.7492	19.068 0.7507	19.058 0.7503	
<sup>13</sup> / <sub>16</sub>	20.638 0.8125	25.400 1.0000	25.40 1.000	1.02 0.04	IR-131616	0.032 0.070	20.630 0.8122	20.617 0.8117	20.655 0.8132	20.645 0.8128	HJ-162416
							20.638 0.8125	20.617 0.8117	20.655 0.8132	20.645 0.8128	
<sup>7</sup> / <sub>8</sub>	22.225 0.8750	28.575 1.1250	25.40 1.000	1.02 0.04	IR-141816	0.050 0.110	22.217 0.8747	22.205 0.8742	22.243 0.8757	22.233 0.8753	HJ-182616
							22.225 0.8750	22.205 0.8742	22.243 0.8757	22.233 0.8753	
<sup>15</sup> / <sub>16</sub>	23.813 0.9375	28.575 1.1250	25.40 1.000	1.02 0.04	IR-151816	0.036 0.080	23.805 0.9372	23.792 0.9367	23.830 0.9382	23.820 0.9378	HJ-182616
							23.813 0.9375	23.792 0.9367	23.830 0.9382	23.820 0.9378	
1	25.400 1.0000	31.750 1.2500	25.40 1.000	1.02 0.04	IR-162016	0.054 0.120	25.392 0.9997	25.380 0.9992	25.418 1.0007	25.408 1.0003	HJ-202816
							25.400 1.0000	25.380 0.9992	25.418 1.0007	25.408 1.0003	
<sup>1</sup> / <sub>8</sub>	28.575 1.1250	34.925 1.3750	25.40 1.000	1.02 0.04	IR-182216	0.059 0.130	28.567 1.1247	28.555 1.1242	28.593 1.1257	28.583 1.1253	HJ-223016
							28.575 1.1250	28.555 1.1242	28.593 1.1257	28.583 1.1253	
<sup>1</sup> / <sub>16</sub>	30.163 1.1875	38.100 1.5000	31.75 1.250	1.52 0.06	IR-192420	0.100 0.220	30.155 1.1872	30.142 1.1867	30.180 1.1882	30.170 1.1878	HJ-243320
							30.163 1.1875	30.142 1.1867	30.180 1.1882	30.170 1.1878	
<sup>1</sup> / <sub>4</sub>	31.750 1.2500	38.100 1.5000	25.40 1.000	1.52 0.06	IR-202416	0.068 0.150	31.740 1.2496	31.725 1.2490	31.770 1.2508	31.760 1.2504	HJ-243316
							31.750 1.2500	31.725 1.2490	31.770 1.2508	31.760 1.2504	

<sup>(1)</sup>  $r_a \max$  is equal to the minimum bearing chamfer ( $r_s \min$ ).

- dimensions in the bearing table for the required raceway diameter.)
- After mounting, if O.D. of inner ring exceeds the required raceway diameter for matching bearing, ring should be ground to proper diameter while mounted on shaft.
- Meets ASTM F-2431.



Shaft Dia.	d	F	B	$r_{s \min}$	Bearing Designation	Approx. Wt.	S		S		Used With Bearing Designation
							Loose Transition Fit		Interference Fit		
							Max.	Min.	Max.	Min.	
in	mm in	mm in	mm in	mm in	kg lbs	mm in	mm in	mm in	mm in		
<sup>1</sup> / <sub>4</sub>	31.750 1.2500	38.100 1.5000	31.75 1.250	1.52 0.06	IR-202420	0.082 0.180	31.740 1.2496	31.725 1.2490	31.770 1.2508	31.760 1.2504	HJ-243320
<sup>5</sup> / <sub>16</sub>	33.338 1.3125	41.275 1.6250	25.40 1.000	1.52 0.06	IR-212616	0.086 0.190	33.327 1.3121	33.312 1.3115	33.358 1.3133	33.348 1.3129	HJ-263516
							33.338 1.3125	33.312 1.3115	33.358 1.3133	33.348 1.3129	
<sup>3</sup> / <sub>8</sub>	34.925 1.3750	41.275 1.6250	31.75 1.250	1.52 0.06	IR-222620	0.091 0.200	34.915 1.3746	34.900 1.3740	34.945 1.3758	34.935 1.3754	HJ-263520
							34.925 1.3750	34.900 1.3740	34.945 1.3758	34.935 1.3754	
<sup>1</sup> / <sub>2</sub>	36.513 1.4375	44.450 1.7500	25.40 1.000	1.52 0.06	IR-232816	0.095 0.210	36.502 1.4371	36.487 1.4365	36.533 1.4383	36.523 1.4379	HJ-283716
							36.513 1.4375	36.487 1.4365	36.533 1.4383	36.523 1.4379	
<sup>3</sup> / <sub>4</sub>	38.100 1.5000	44.450 1.7500	25.40 1.000	1.52 0.06	IR-242816	0.077 0.170	38.090 1.4996	38.075 1.4990	38.120 1.5008	38.110 1.5004	HJ-283716
							38.100 1.5000	38.075 1.4990	38.120 1.5008	38.110 1.5004	
<sup>13</sup> / <sub>16</sub>	38.100 1.5000	44.450 1.7500	31.75 1.250	1.52 0.06	IR-242820	0.095 0.210	38.090 1.4996	38.075 1.4990	38.120 1.5008	38.110 1.5004	HJ-283720
							38.100 1.5000	38.075 1.4990	38.120 1.5008	38.110 1.5004	
<sup>15</sup> / <sub>16</sub>	38.100 1.5000	50.800 2.0000	31.75 1.250	1.52 0.06	IR-243220	0.209 0.460	38.090 1.4996	38.075 1.4990	38.120 1.5008	38.110 1.5004	HJ-324120
							38.100 1.5000	38.075 1.4990	38.120 1.5008	38.110 1.5004	
<sup>1</sup> / <sub>8</sub>	39.688 1.5625	47.625 1.8750	31.75 1.250	1.52 0.06	IR-253020	0.127 0.280	39.677 1.5621	39.662 1.5615	39.708 1.5633	39.698 1.5629	HJ-303920
							39.688 1.5625	39.662 1.5615	39.708 1.5633	39.698 1.5629	
<sup>15</sup> / <sub>16</sub>	39.688 1.5625	50.800 2.0000	31.75 1.250	1.52 0.06	IR-253220	0.186 0.410	39.677 1.5621	39.662 1.5615	39.708 1.5633	39.698 1.5629	HJ-324120
							39.688 1.5625	39.662 1.5615	39.708 1.5633	39.698 1.5629	
<sup>1</sup> / <sub>4</sub>	41.275 1.6250	50.800 2.0000	31.75 1.250	1.52 0.06	IR-263220	0.163 0.360	41.265 1.6246	41.250 1.6240	41.295 1.6258	41.285 1.6254	HJ-324120
							41.275 1.6250	41.250 1.6240	41.295 1.6258	41.285 1.6254	
<sup>11</sup> / <sub>16</sub>	42.863 1.6875	50.800 2.0000	25.40 1.000	1.52 0.06	IR-273216	0.109 0.240	42.852 1.6871	42.837 1.6865	42.883 1.6883	42.873 1.6879	HJ-324116
							42.863 1.6875	42.837 1.6865	42.883 1.6883	42.873 1.6879	
<sup>13</sup> / <sub>16</sub>	44.450 1.7500	57.150 2.2500	38.10 1.500	1.52 0.06	IR-283624	0.286 0.630	44.440 1.7496	44.425 1.7490	44.470 1.7508	44.460 1.7504	HJ-364824
							44.450 1.7500	44.425 1.7490	44.470 1.7508	44.460 1.7504	
<sup>15</sup> / <sub>16</sub>	49.213 1.9375	63.500 2.5000	38.10 1.500	2.03 0.08	IR-314024	0.358 0.790	49.202 1.9371	49.187 1.9365	49.233 1.9383	49.223 1.9379	HJ-405224
							49.213 1.9375	49.187 1.9365	49.233 1.9383	49.223 1.9379	
<sup>1</sup> / <sub>4</sub>	49.213 1.9375	63.500 2.5000	44.45 1.750	2.03 0.08	IR-314028	0.417 0.920	49.202 1.9371	49.187 1.9365	49.233 1.9383	49.223 1.9379	HJ-405228
							49.213 1.9375	49.187 1.9365	49.233 1.9383	49.223 1.9379	

Continued on next page.



**INNER RINGS**

**INCH SERIES**

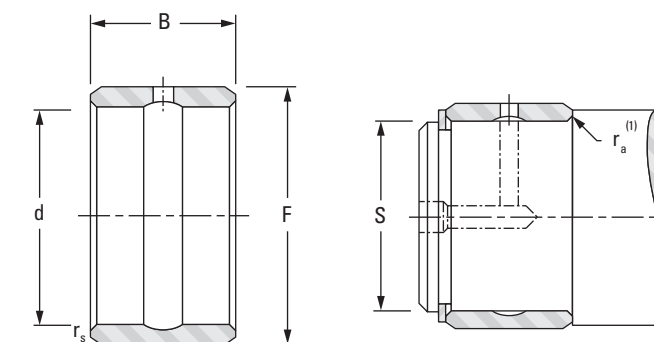
- Check for availability.
- Ideal choice when shaft is not practical to use as inner raceway.
- Provided in inch nominal dimensions for use with inch series heavy-duty needle roller bearings.
- Designed to meet established inch tolerances.
- Selected size should be wider than matching needle roller bearing.

- Maximum shaft fillet radius ( $r_{a \max}$ ) cannot exceed inner ring bore chamfer ( $r_{s \min}$ ) as shown.
- Optional centralized lubrication groove (bore) or through-hole available. Specify when ordering.
- Designed to be axially clamped against shoulder for loose transition fit on shaft.
- After mounting, for tight transition fit (keeping inner ring from rotating relative to shaft), inner ring O.D. must not exceed raceway diameter on matching bearing. (See mounting

Shaft Dia.	d	F	B	$r_{s \min}$	Bearing Designation	Approx. Wt.	S		S		Used With Bearing Designation
							Loose Transition Fit		Interference Fit		
							Max.	Min.	Max.	Min.	
in	mm in	mm in	mm in	mm in	kg lbs	mm in	mm in	mm in	mm in		
2	50.800 2.0000	63.500 2.5000	38.10 1.500	2.03 0.08	IR-324024	0.322 0.710	50.790 1.9996	50.772 1.9989	50.823 2.0009	50.810 2.0004	HJ-405224
	50.800 2.0000	63.500 2.5000	44.45 1.750	2.03 0.08	IR-324028	0.376 0.830	50.790 1.9996	50.772 1.9989	50.823 2.0009	50.810 2.0004	HJ-405228
2 <sup>3</sup> / <sub>16</sub>	55.563 2.1875	69.850 2.7500	44.45 1.750	2.03 0.08	IR-354428	0.467 1.030	55.552 2.1871	55.535 2.1864	55.585 2.1884	55.573 2.1879	HJ-445628
2 <sup>1</sup> / <sub>4</sub>	57.150 2.2500	69.850 2.7500	38.10 1.500	2.03 0.08	IR-364424	0.358 0.790	57.140 2.2496	57.122 2.2489	57.173 2.2509	57.160 2.2504	HJ-445624
	57.150 2.2500	69.850 2.7500	44.45 1.750	2.03 0.08	IR-364428	0.417 0.920	57.140 2.2496	57.122 2.2489	57.173 2.2509	57.160 2.2504	HJ-445628
2 <sup>3</sup> / <sub>8</sub>	60.325 2.3750	76.200 3.0000	44.45 1.750	2.03 0.08	IR-384828	0.562 1.240	60.315 2.3746	60.297 2.3739	60.348 2.3759	60.335 2.3754	HJ-486028
2 <sup>1</sup> / <sub>2</sub>	63.500 2.5000	76.200 3.0000	38.10 1.500	2.03 0.08	IR-404824	0.395 0.870	63.490 2.4996	63.472 2.4989	63.523 2.5009	63.510 2.5004	HJ-486024
	63.500 2.5000	76.200 3.0000	44.45 1.750	2.03 0.08	IR-404828	0.463 1.020	63.490 2.4996	63.472 2.4989	63.523 2.5009	63.510 2.5004	HJ-486028
2 <sup>3</sup> / <sub>4</sub>	69.850 2.7500	82.550 3.2500	44.45 1.750	2.03 0.08	IR-445228	0.503 1.110	69.840 2.7496	69.822 2.7489	69.873 2.7509	69.860 2.7504	HJ-526828
	69.850 2.7500	82.550 3.2500	50.80 2.000	2.03 0.08	IR-445232	0.576 1.270	69.840 2.7496	69.822 2.7489	69.873 2.7509	69.860 2.7504	HJ-526832
2 <sup>15</sup> / <sub>16</sub>	74.613 2.9375	88.900 3.5000	50.80 2.000	2.03 0.08	IR-475632	0.694 1.530	74.602 2.9371	74.585 2.9364	74.635 2.9384	74.623 2.9379	HJ-567232
3	76.200 3.0000	88.900 3.5000	50.80 2.000	2.03 0.08	IR-485632	0.621 1.370	76.190 2.9996	76.172 2.9989	76.223 3.0009	76.210 3.0004	HJ-567232

<sup>(1)</sup>  $r_a \max$  is equal to the minimum bearing chamfer ( $r_s \min$ ).

- dimensions in the bearing table for the required raceway diameter).
- After mounting, if O.D. of inner ring exceeds the required raceway diameter for matching bearing, ring should be ground to proper diameter while mounted on shaft.
- Meets ASTM F-2431.





NOTES

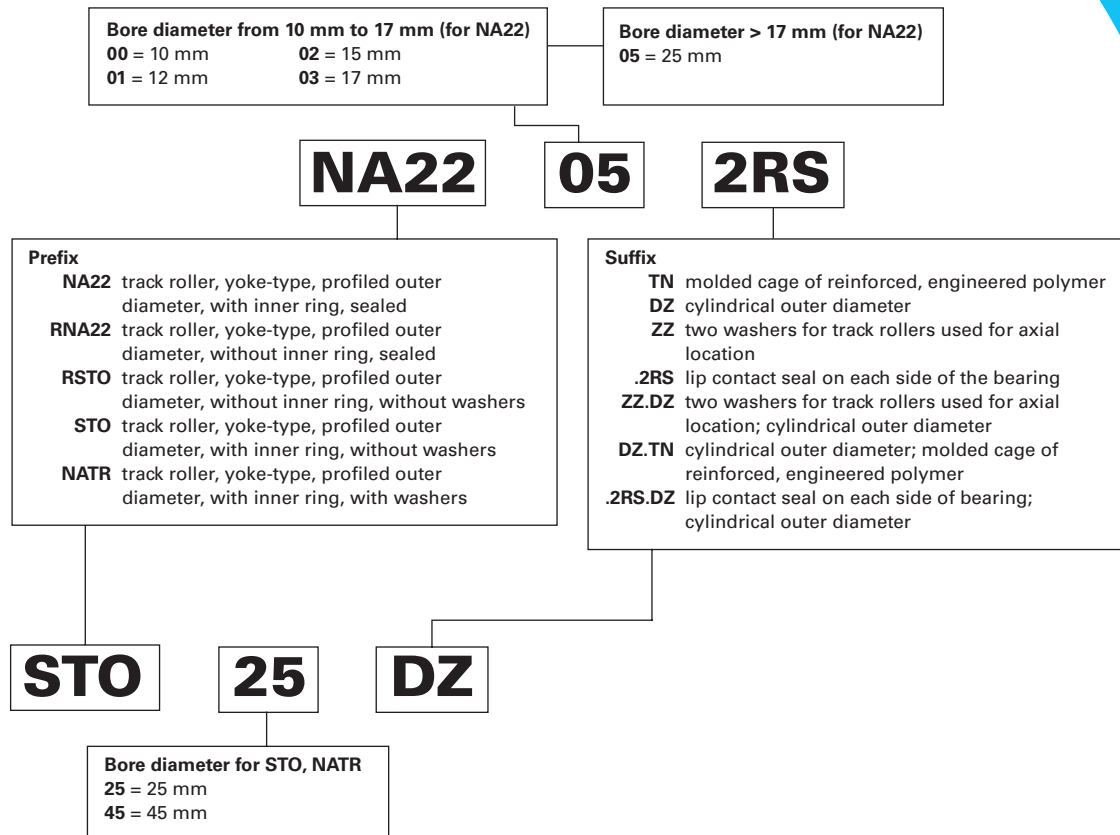
TRACK ROLLERS

Overview: Track rollers (also known as cam followers) are characterized by their thick-walled outer rings that run directly on a track. The thick outer rings permit high load-carrying capability while minimizing both distortion and bending stresses. Sealed designs with internal thrust washers help extend service life under conditions of infrequent lubrication.

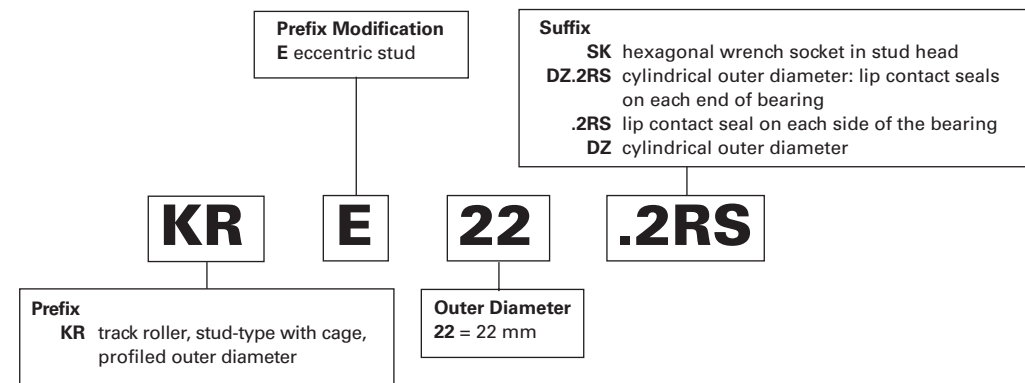
- **Catalogue range:** Stud-Type: 10 mm – 130 mm (0.3937 in – 5.1180 in) O.D.  
Yoke-Type: 10 mm – 300 mm (0.3937 in – 11.816 in) O.D.
- **Markets:** Ram support rollers, material handling and indexing equipment.
- **Features:** Available in two basic designs: with an inner ring for straddle mounting in a yoke or with an integral stud for cantilever mounting.
- **Benefits:** High load-carrying capability with minimized distortion and bending stresses. Extended service life under conditions of infrequent re-lubrication.



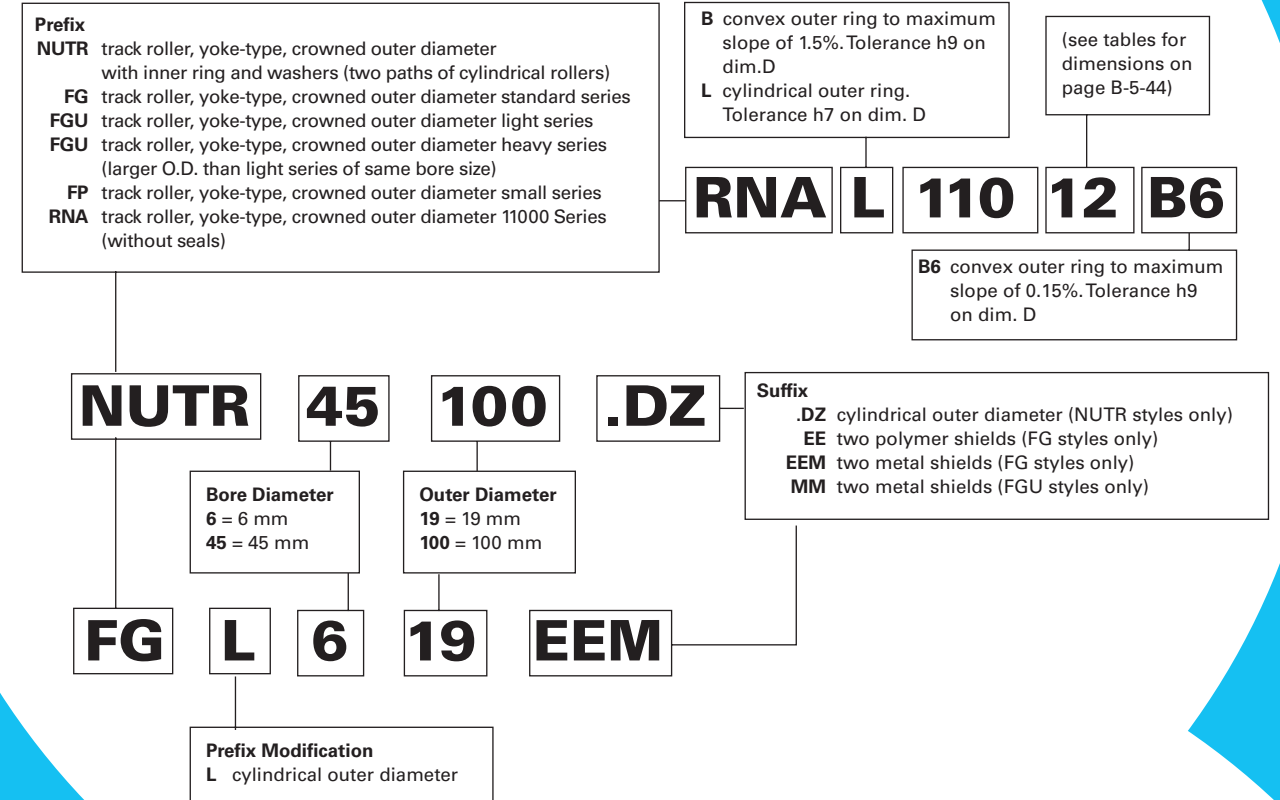
### Caged Yoke-Type Track Rollers – Metric Nominal Dimensions



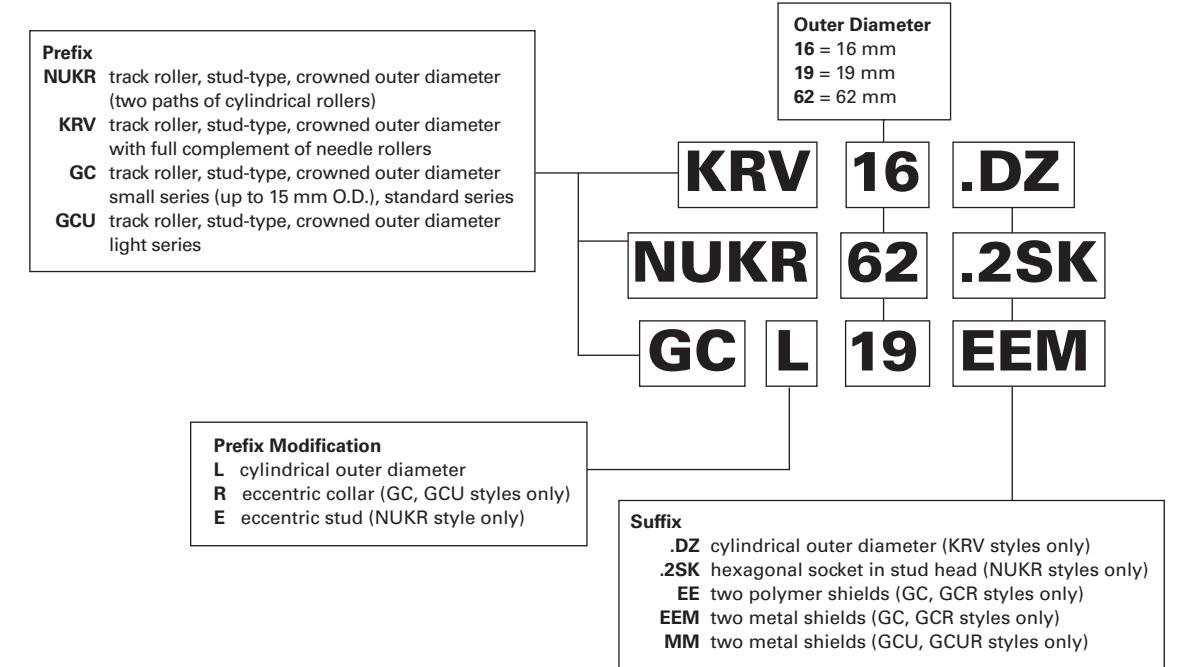
### Caged Stud-Type Track Rollers – Metric Nominal Dimensions



### Full Complement Yoke-Type Track Rollers – Metric Nominal Dimensions



### Full Complement Stud-Type Track Rollers – Metric Nominal Dimensions



# Track Roller

**STUD-TYPE AND YOKE-TYPE TRACK ROLLERS  
METRIC SERIES** *Page*

Introduction .....B-5-6

**STUD-TYPE METRIC SERIES**

Needle Roller and Cage Assemblies (KR Series).....B-5-16

Needle Roller and Cage Assemblies, Sealed  
(KR...2S Series) .....B-5-18

Full Complement with Needle Rollers (KRV Series) or  
Cylindrical Rollers (NUKR Series).....B-5-20

Full Complement, Small Series, Unsealed (GC Series) .....B-5-22

Full Complement, Standard Series, with or  
without Seals (GC Series).....B-5-24

Full Complement, with Metal Seals (GCU...MM Series) ...B-5-26

Full Complement, Eccentric (GCR Series) .....B-5-28

Full Complement, Eccentric, with Metal Seals  
(GCUR...MM Series).....B-5-30

**YOKE-TYPE METRIC SERIES**

Caged, without Inner Ring, No End Washers  
(RSTO Series) .....B-5-32

Caged, with Inner Ring, No End Washers (STO Series).....B-5-33

Caged, without Inner Ring, No End Washers,  
Sealed (RNA22 Series).....B-5-34

Caged, with Inner Ring, No End Washers,  
Sealed (NA22 Series).....B-5-35

Caged, with Inner Ring, with End Washers  
(NATR, STO...ZZ Series) .....B-5-36

Full Complement, with Inner Ring, with End Washers,  
Cylindrical Rollers (NUTR Series) .....B-5-37

*Page*

Full Complement, Non-Separable, Small Series,  
Unsealed (FP Series).....B-5-38

Full Complement, Non-Separable, Sealed or Unsealed  
(FG Series) .....B-5-39

Full Complement, Non-Separable, Light Series,  
with Metal Seals (FGU...MM Series) .....B-5-41

Full Complement, Non-Separable, Heavy Series,  
with Metal Seals (FGU...MM Series) .....B-5-42

Full Complement, without Inner Ring, Unsealed  
(RNA...B6, RNAB, RNAL Series) .....B-5-44

Separate Inner Rings (BIC Series) .....B-5-44



STUD-TYPE AND YOKE-TYPE TRACK ROLLERS

METRIC SERIES

JTEKT track rollers listed in this catalog have been designed with outer rings of a large radial cross section to withstand heavy rolling and shock loads on track-type or cam-controlled equipment. The outer diameters of the outer rings are either crowned or cylindrical. Crowned track rollers are designed to alleviate uneven bearing loading resulting from deflection, bending or misalignment in mounting.

Stud-type track rollers are available in various open designs, as well as with lip contact seals or metal shields.

Yoke-type track rollers are designed for straddle mounting. The various metric series designs are grouped and organized on page B-5-7 and page B-5-8.

REFERENCE STANDARDS ARE:

- ISO 6278 – needle roller bearings – track rollers – boundary dimensions.
- ISO 492 – radial bearings – tolerances.
- DIN 620 – tolerances of ball and roller bearings.
- ISO 281 – rolling bearings – dynamic load ratings and rating life.

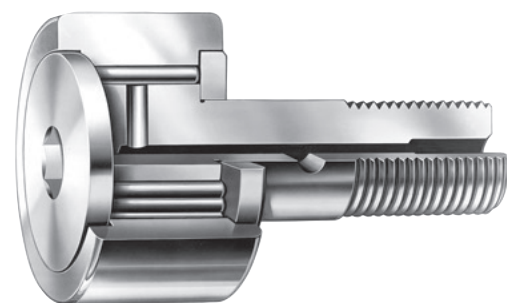


Fig. B5-1. Stud-type track rollers



Fig. B5-2. Yoke-type track rollers

Suffixes – Stud-Type, Metric Series (except GC types)

.2RS	two seals
DZ	cylindrical outer diameter
DZ.2RS	cylindrical outer diameter • two seals
SK	hexagonal socket in flange end
2SK	hexagonal socket in both flange and stud ends

Suffixes – Yoke-Type, Metric Series (except FP or FG types)

DZ.TN	cylindrical outer diameter • molded cage of reinforced engineered polymer
TN	molded cage of reinforced engineered polymer
DZ	cylindrical outer diameter
ZZ	two end washers for the outer ring
ZZ.DZ	two end washers for the outer ring • cylindrical outer diameter
.2RS	two seals
.2RS.DZ	two seals • cylindrical outer diameter

Suffixes – Yoke-Type (FP, FG) and Stud-Type (GC)

EE	polymer shields
EEM	metal shields
MM	metal shields

STUD-TYPE METRIC SERIES TRACK ROLLER TYPES

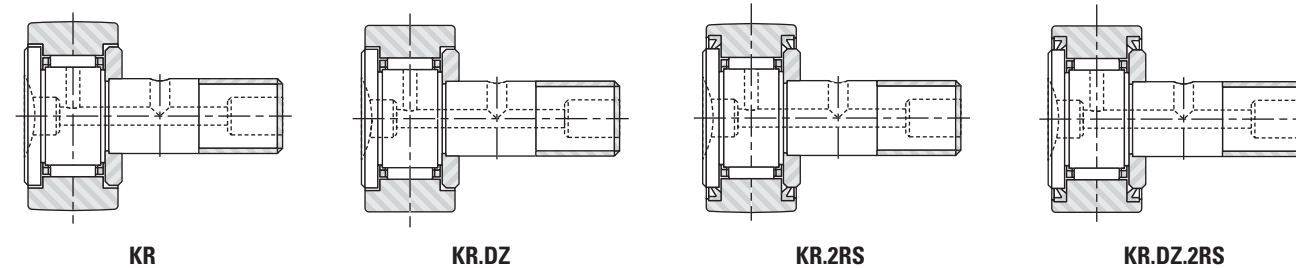


Fig. B5-3. Stud-type track rollers, caged needle rollers

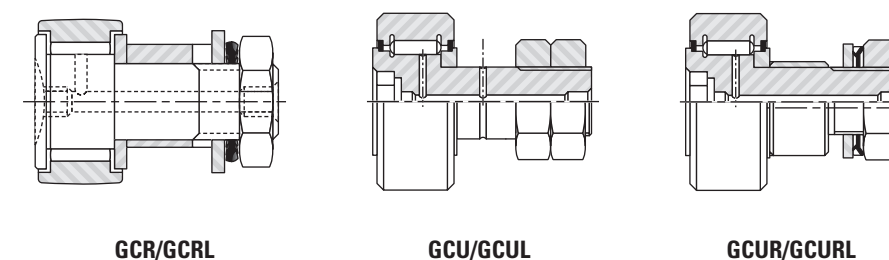
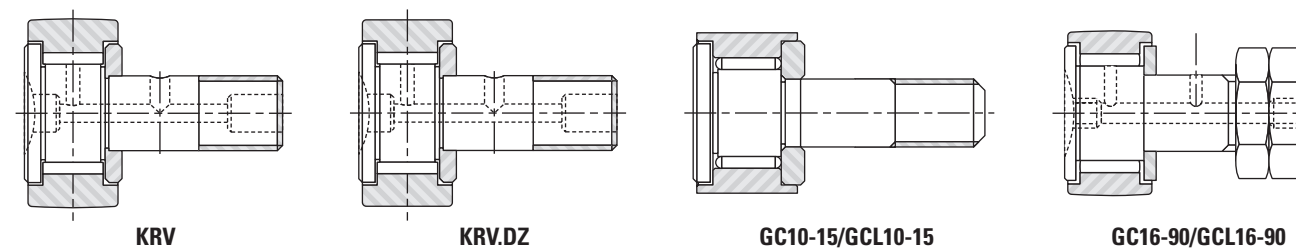


Fig. B5-4. Stud-type track rollers, full complement needle rollers

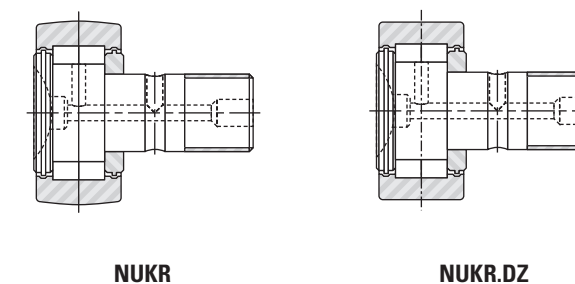


Fig. B5-5. Stud-type track rollers, full complement cylindrical rollers

TYPES OF METRIC SERIES YOKE-TYPE TRACK ROLLERS

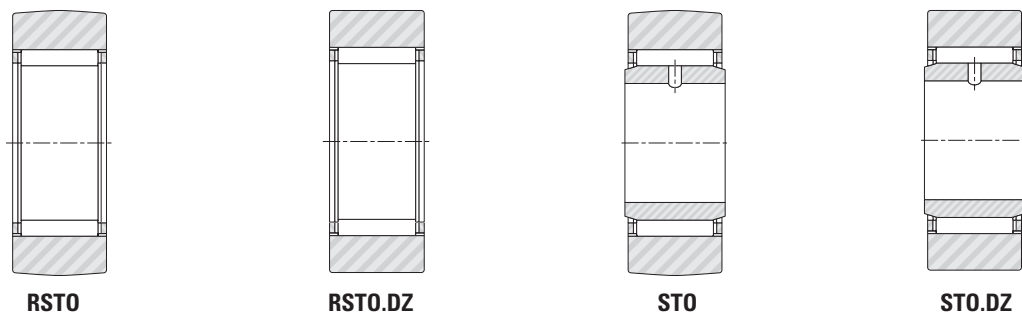


Fig. B5-6. Yoke-type track rollers without end washers

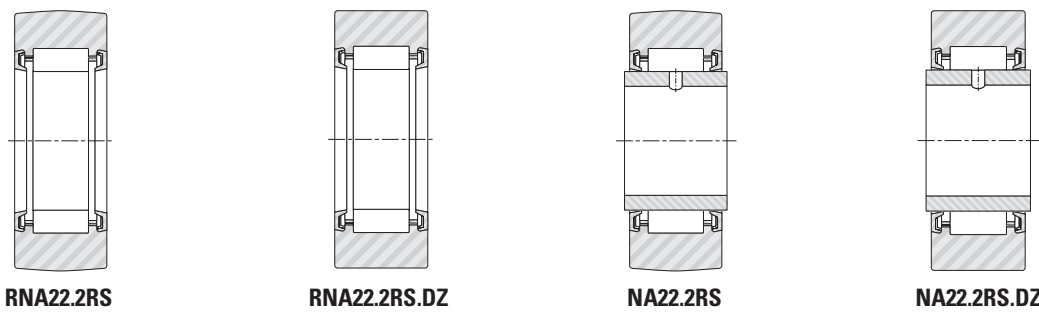


Fig. B5-7. Sealed yoke-type track rollers without end washers

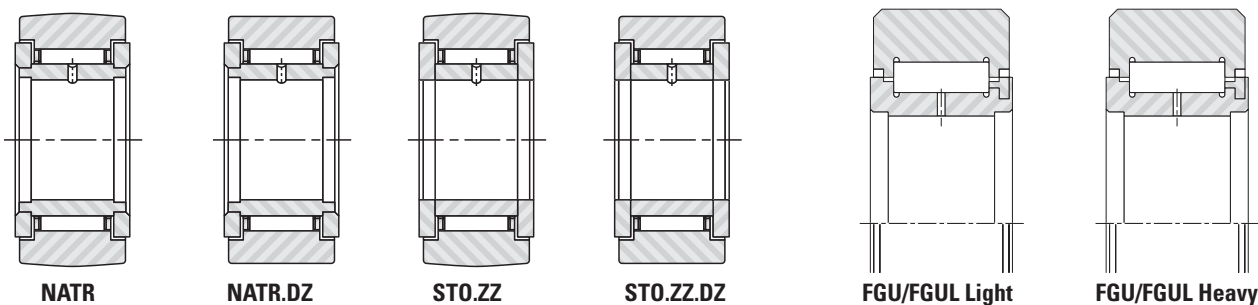


Fig. B5-8. Yoke-type track rollers with end washers

Fig. B5-9. Yoke-type track rollers with metal seals, full complement of cylindrical rollers

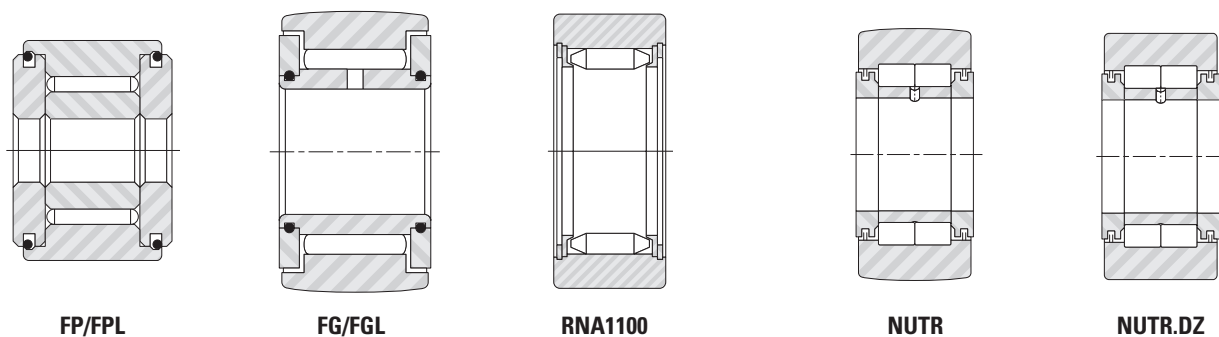


Fig. B5-10. Yoke-type track rollers with end washers, full complement of needle rollers

Fig. B5-11. Yoke-type track rollers with end washers, full complement of cylindrical rollers

CONSTRUCTION

STUD-TYPE TRACK ROLLERS

The metric series stud-type track roller is a non-separable unit – consisting of a large radial cross section outer ring, radial needle roller and cage assembly, or a full complement of needle or cylindrical rollers, a stud and a retaining washer securely fastened to the stud.

The seals on the sealed stud-type track rollers are located in the counterbores of the outer ring and seal against the stud flange and the retaining washer, providing good retention of lubricant and exclusion of foreign material. The seals are thermally stable in a temperature range between -30° C and 110° C (-25° F and 225° F).

A screwdriver slot (standard) or a hexagonal wrench socket (customer requested) in the head of the stud facilitates mounting. Wrench sizes are listed on the dimensional tables where found among certain GC Series sizes, beginning on page B-5-24. Other metric series hexagonal socket sizes are listed in Table B5-1.

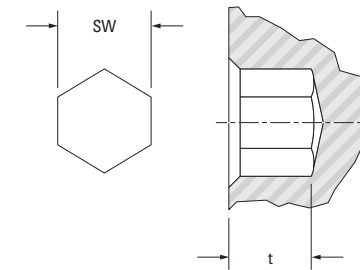


Fig. B5-12. Hexagonal socket – metric series.

Table B5-1. Hexagonal socket wrench sizes

Stud-type track roller O.D.		SW	t
>	≤	mm in	mm in
-	16.000 0.6299	3.000 0.1181	2.500 0.0984
19.000 0.7480	26.000 1.0236	4.000 0.1575	2.500 0.0984
30.000 1.1811	35.000 1.3779	6.000 0.2362	4.000 0.1575
40.000 1.5748	52.000 2.0472	8.000 0.3150	5.000 0.1968
62.000 2.4409	72.000 2.8346	12.000 0.4724	7.000 0.2756
80.000 3.1496	90.000 3.5433	17.000 0.6693	10.000 0.3937

ECCENTRIC STUDS FOR STUD-TYPE TRACK ROLLERS

To provide radial adjustment of the outer ring toward the track or cam surface at the time of installation, some metric series stud-type track rollers are available with eccentric studs – specified by adding the letter “E” to the designation letters: KRE and NUKRE. The GCR and GCUR Series include an eccentric bushing added to the track roller stud. Appropriate dimensions of the eccentric stud bushing are listed in Table B5-2 on page B-5-9 and Table B5-3 on page B-5-10.

Since a track roller with an eccentric stud is usually adjusted upon installation by turning the stud in the mounting hole, a close clearance fit between the outer diameter of the bushing and the mounting hole is necessary. For turning the stud, a hexagonal wrench is generally more convenient than a screwdriver. Thus, the option of a hexagonal wrench socket in the head of the stud should be exercised.

Some applications may require more secure positioning than provided by the tightened stud nut. If so, it is recommended that the mounting hole and the eccentric bushing be drilled at the time of installation to accept a locating dowel pin.

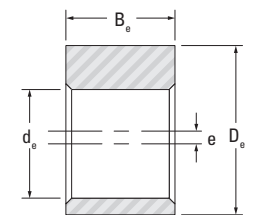


Fig. B5-13. Eccentric bushing dimensions – metric series (except GCR, GCUR series)

Table B5-2. Eccentric bushing dimensions – metric series (except GCR, GCUR series)

Stud-type track roller O.D.		d <sub>e</sub>	D <sub>e</sub>	B <sub>e</sub>	e
>	≤	Eccentric bushing dimensions			
mm in	mm in	mm in	mm in	mm in	mm in
19.000 0.7480	19.000 0.7480	8.000 0.3150	11.000 0.4331	9.000 0.3543	0.500 0.0197
22.000 0.8661	26.000 1.10236	10.000 0.3937	13.000 0.5118	10.000 0.3937	0.500 0.0197
30.000 1.1811	32.000 1.2598	12.000 0.4724	15.000 0.5905	11.000 0.4331	0.500 0.0197
35.000 1.3779	35.000 1.3779	16.000 0.6299	20.000 0.7874	14.000 0.5512	1.000 0.0394
40.000 1.5748	40.000 1.5748	18.000 0.7087	22.000 0.8661	16.000 0.6299	1.000 0.0394
47.000 1.8504	52.000 2.0472	20.000 0.7874	24.000 0.9449	18.000 0.7087	1.000 0.0394
62.000 2.4409	72.000 2.8346	24.000 0.9449	28.000 1.1024	22.000 0.8661	1.000 0.0394
80.000 3.1496	90.000 3.5433	30.000 1.1811	35.000 1.3779	29.000 1.1417	1.500 0.0591



**Table B5-3. Eccentric bushing dimensions metric series GCR and GCUR**

Stud-type track roller O.D.		d <sub>e</sub>	D <sub>e</sub>	B <sub>e</sub>	e
Over	Incl.	Eccentric bushing dimensions			
mm in	mm in	mm in	mm in	mm in	mm in
16.000 0.6299	16.000 0.6299	6.000 0.2362	9.000 0.3543	7.500 0.2953	0.500 0.0197
16.000 0.6299	19.000 0.7480	8.000 0.3149	11.000 0.4330	7.500 0.2953	0.500 0.0197
19.000 0.7480	28.000 1.1024	10.000 0.3937	14.000 0.5512	10.500 0.4134	1.000 0.0394
28.000 1.1024	32.000 1.2598	12.000 0.4724	16.000 0.6299	11.500 0.4528	1.000 0.0394
32.000 1.2598	35.000 1.3779	16.000 0.6299	21.000 0.8268	15.100 0.5945	1.500 0.0591
35.000 1.3779	40.000 1.5748	18.000 0.7087	24.000 0.9449	17.100 0.6732	1.500 0.0591
40.000 1.5748	52.000 2.0472	20.000 0.7874	27.000 1.0630	19.100 0.7520	2.000 0.0787
52.000 2.0472	72.000 2.8346	24.000 0.9449	36.000 1.4173	24.100 0.9488	3.000 0.1181
72.000 2.8346	90.000 3.5433	30.000 1.1811	42.000 1.6535	30.700 1.2087	3.000 0.1181
90.000 3.5433	110.000 4.3307	36.000 1.4173	48.000 1.8898	36.500 1.4370	3.000 0.1181
110.000 4.3307	-	42.000 1.6535	54.000 2.1260	43.500 1.7126	3.000 0.1181

**METRIC SERIES YOKE-TYPE TRACK ROLLERS WITHOUT END WASHERS**

These yoke-type track rollers are available with a profiled or a cylindrical outer diameter of the outer ring, and with or without a separable inner ring. Since they are supplied without end washers, their outer rings must be guided by the adjacent end locating surfaces. Tolerance class F6 is the normal specification for the bore of the metric series radial needle roller and cage assemblies used with these yoke-type track rollers.

**YOKE-TYPE TRACK ROLLERS – SERIES RSTO AND STO**

Series STO have a separable inner ring and when the inner ring is removed they become series RSTO. They run directly on a hardened and ground inner raceway. Quality requirements for inner raceways are given in the engineering section of this catalog.

**SEALED YOKE-TYPE TRACK ROLLERS WITHOUT END WASHERS – SERIES RNA 22.2RS AND NA22.2RS**

These yoke-type track rollers have the same bore diameter and outer diameter as most of the other metric series yoke-type track rollers listed in this catalog. The thick section outer ring is made of one-piece channel-shaped bearing-quality steel – heat-treated to yield maximum load-carrying capability. The integral end flanges provide axial guidance for the large diameter needle rollers, and a cage supplies their inward retention. These track rollers have two integral lip contact seals designated by .2RS. The seals are

thermally stable in a temperature range between -30° C and 110° C (-25° F and 225° F). Care should be exercised when mounting track rollers without inner rings onto inner raceways, to avoid damage to the seals.

**METRIC SERIES YOKE-TYPE TRACK ROLLERS WITH END WASHERS**

These yoke-type track rollers are available with a crowned or a cylindrical outer diameter to the outer ring. Metric series yoke-type track rollers with end washers – depending on the internal construction – may be end guided, either through the end washers or between the end faces of the rollers and the inside faces of the outer ring flanges.

**YOKE-TYPE TRACK ROLLERS – SERIES NATR AND STO.ZZ**

The series NATR yoke-type track rollers are of non-separable design, consisting of a crowned or a cylindrical outer ring, caged needle rollers, an inner ring and two retaining end washers securely fastened to the inner ring. The series STO.ZZ yoke-type track rollers are of separable design with two loose end washers. These end washers, placed in the counter bores of the outer ring, form very effective labyrinth-type shields, providing good retention of lubricant and exclusion of foreign material. A lubrication hole in the inner ring enables re-lubrication when a cross-drilled bolt or shaft – which can be serviced from the end – is used.

**YOKE-TYPE TRACK ROLLERS – SERIES NUTR**

The series NUTR yoke-type track rollers are of non-separable design consisting of a crowned or cylindrical outer ring, two rows of full complements of cylindrical rollers, an inner ring, two retaining end washers and two shields. The outer ring is located axially through the cylindrical rollers.

A lubricating hole in the inner ring enables re-lubrication when a cross-drilled bolt or shaft, which can be serviced from the end, is used.

The smallest track roller of this series has an outer diameter of 35.000 mm (1.3780 in). NUTR yoke-type track rollers are well-suited to carry high loads and designs with a thicker outer ring and particularly suitable for high shock loads. Designs with thicker outer rings have a larger outer diameter which can be identified by the bearing designation (e.g., NUTR 1542).

**YOKE-TYPE TRACK ROLLERS – SERIES FP AND FG**

The FP and FG non-separable inner ring designs are available in crowned or cylindrical outer rings. Both employ a full complement of needle rollers and require re-lubrication via a pathway through the shaft. The FP Series is the smallest series available and is not offered with seals.

**YOKE-TYPE TRACK ROLLERS – SERIES FGU (LIGHT AND HEAVY TYPES)**

The FGU non-separable inner ring designs are available in crowned or cylindrical outer rings. All FGU series use a full complement of cylindrical rollers between the inner and outer rings and require re-lubrication via a pathway through the shaft. The FGU heavy series uses a thicker outer ring section and is capable of higher loads.

Both FGU series are only available with a metal shield for a roller sealing option.

**YOKE-TYPE TRACK ROLLERS – SERIES RNA, RNAB, RNAL**

The RNA and RNAB Series design uses a full complement of needle rollers retained with a pair of end washers. A separate, matching inner ring is listed in the tables of part numbers. The RNAL Series uses a cylindrical outer ring and is only offered in limited sizes.

**DIMENSIONAL ACCURACY**

The tolerances of the basic metric series caged roller and NUKR stud-type and yoke-type track rollers, whose outer rings have a cylindrical outer diameter, correspond to tolerances specified in ISO 492 Radial bearings tolerances. The outer ring tolerances given in Table B5-4 apply to the outer rings used in the caged roller and NUKR stud-type and caged roller and NUTR yoke-type, metric series, track rollers. Metric series track rollers with a crowned outer diameter are the exception – their outer diameter tolerance is 0-0.05 for all caged roller sizes and NUTR, NUKR types. The remaining types

**Table B5-4. Outer ring – metric series (caged roller and NUKR, NUTR types)**

D		Δ <sub>omp</sub>				Δ <sub>cs</sub>		K <sub>ea</sub>
>	≤	Cylindrical		Crowned		Max.	Min.	Max.
		Max.	Min.	Max.	Min.			
mm in	mm in	mm in	mm in	mm in	mm in	mm in	mm in	mm in
10.000 0.3937	18.000 0.7087	0.000 0.0000	-0.008 -0.0003	0.000 0.0000	-0.050 -0.0020	0.000 0.0000	-0.120 -0.0047	0.015 0.0006
18.000 0.7087	30.000 1.1811	0.000 0.0000	-0.009 -0.00035	0.000 0.0000	-0.050 -0.0020	0.000 0.0000	-0.120 -0.0047	0.015 0.0006
30.000 1.1811	50.000 1.9685	0.000 0.0000	-0.011 -0.0004	0.000 0.0000	-0.050 -0.0020	0.000 0.0000	-0.120 -0.0047	0.020 0.0008
50.000 1.9685	80.000 3.1496	0.000 0.0000	-0.013 -0.0005	0.000 0.0000	-0.050 -0.0020	0.000 0.0000	-0.120 -0.0047	0.025 0.0010
80.000 3.1496	120.000 4.7244	0.000 0.0000	-0.015 -0.0006	0.000 0.0000	-0.050 -0.0020	0.000 0.0000	-0.120 -0.0047	0.035 0.0014
120.000 4.7244	150.000 5.9055	0.000 0.0000	-0.018 -0.0007	0.000 0.0000	-0.050 -0.0020	0.000 0.0000	-0.120 -0.0047	0.040 0.0016
150.000 5.9055	180.000 7.0866	0.000 0.0000	-0.025 -0.0010	0.000 0.0000	-0.050 -0.0020	0.000 0.0000	-0.150 -0.0059	0.045 0.0018
180.000 7.0866	240.000 9.4488	0.000 0.0000	-0.030 -0.0012	0.000 0.0000	-0.050 -0.0020	0.000 0.0000	-0.200 -0.0079	0.050 0.0020

have h9 tolerance on profiled outer diameters and h7 for straight diameters. Stud diameter and stud length tolerances are given in Table B5-5. The inner ring tolerances, given in Table B5-6 on page B-5-12, apply to inner rings used in metric series caged roller, NUKR Series yoke-type track rollers.

**MOUNTING STUD-TYPE TRACK ROLLERS**

When the stud shank of a metric series stud-type track roller is mounted in a hole of tolerance H7, the installation force should be applied only to the center portion of the flanged end of the stud – preferably with an arbor press. The surface of the hole in the machine element which supports the stud must not deform under the expected load. And the support should be sufficiently rigid to resist bending loads. Deformation and bending will cause uneven loading of the outer ring.

**Table B5-5. Tolerances for stud diameter and stud length – metric series**

d <sub>1</sub>		Δd <sub>1s</sub>		B <sub>2</sub>	ΔB <sub>2</sub>
Stud diameter		Stud length			
>	≤	Max.	Min.	Max.	Min.
mm	mm	μm		mm	
3	6	0	-12	all lengths	0 -1
6	10	0	-15		
10	18	0	-18		
18	30	0	-21		
30	50	0	-25		
50	80	0	-30		
80	100	0	-35		



Table B5-6. Inner ring – metric series (caged roller types)

d		Δ <sub>amp</sub>		Δ <sub>BS</sub>	
>	≤	Max.	Min.	Max.	Min.
mm in	mm in	mm in	mm in	mm in	mm in
2.500 0.0984	18.000 0.7087	0.000 0.0000	-0.008 -0.0003	0.000 0.0000	-0.180 -0.0071
18.000 0.7087	30.000 1.1811	0.000 0.0000	0.010 -0.0004	0.000 0.0000	-0.210 -0.0083
30.000 1.1811	50.000 1.9685	0.000 0.0000	-0.012 -0.0005	0.000 0.0000	-0.250 -0.0098
50.000 1.9685	80.000 3.1496	0.000 0.0000	-0.015 -0.0006	0.000 0.0000	-0.300 -0.0118
80.000 3.1496	120.000 4.7244	0.000 0.0000	-0.020 -0.0008	0.000 0.0000	-0.350 -0.0138

In mounting the stud-type track roller, the retaining washer must be firmly backed up by a flat shoulder which is square with the stud center line. The shoulder diameter must be no smaller than the minimum clamping diameter, *d<sub>a</sub>* listed in the bearing tables.

The maximum inherent strength of the stud is obtained when the track roller is supported, as close as possible, to the retaining washer – which minimizes the bending moment. For this reason the edge of the housing – which supports the stud shank – should be kept as sharp as practical but free from burrs.

The clamping nut should not be tightened with a torque value higher than the maximum listed. A screwdriver slot, or hexagonal wrench socket in the flanged end of the stud, is provided for a tool to prevent the stud from turning when the nut is being tightened. Since the bottom of the screwdriver slot is not flat, it is helpful to put a radius on the tip of the screwdriver being used to hold the stud more securely. Hexagonal nuts are supplied with all metric series stud-type track rollers.

**YOKE-TYPE TRACK ROLLERS**

The machine element with the holes in which the mounting bolt or shaft is supported must be sufficiently rigid to resist local crushing under the applied load and to resist bending which can cause uneven loading of the needle rollers.

When applied loads are high, the h6 or j6 tolerance should be used in conjunction with a high strength shaft or bolt for mounting metric series yoke-type track rollers. When loads are moderate, a g6 tolerance may be used with a high strength shaft or bolt. For light loads, the loose transition fit with the f6 tolerance may be used with an unhardened shaft or bolt.

The yoke-type track rollers with inner rings – including those with end washers as well as inner rings – should be clamped endwise between parallel faces, perpendicular to the axis to prevent the retaining washers from coming off under load. The dimensions of machine parts, adjoining the metric series yoke-type track rollers, should be based on the minimum clamping diameter *d<sub>a</sub>* to ensure that the washers are adequately supported. If the track roller cannot be end clamped, a close axial fit in the yoke is required. Care should be taken to assure that the lubricating hole is located in the unloaded zone of the raceway.

The metric series yoke-type track rollers without inner rings require a hardened and ground shaft, or bolt with a k5 tolerance. Inner raceway quality requirements are given in the engineering section.

**LOAD RATINGS  
DYNAMIC LOADING AS A TRACK ROLLER**

When the outer ring of a stud-type or yoke-type track roller runs on a track, the contact – under a radial load – causes elastic (oval) deformation of the outer ring. As a result, a smaller zone of the raceway is loaded and the load is distributed on fewer needle rollers. This, in turn, affects the dynamic and static load ratings of the track rollers. Also, this deformation generates bending stress in the outer ring which must not exceed the maximum permitted for the material of the outer ring. The maximum permissible dynamic (*F<sub>r perm</sub>*) radial load condition is determined by this requirement.

The rating life of stud-type or yoke-type track rollers should be calculated using the dynamic load ratings, *C<sub>w</sub>*, shown in the following tables. The tables also show the maximum permissible radial load, *F<sub>r perm</sub>*, that can be dynamically applied on stud-type or yoke-type track rollers. However, to calculate the *L<sub>10</sub>* life of a track roller, the applied radial load must not be greater than *C<sub>w</sub>/2* based on ideal operating conditions of alignment, lubrication, temperature, speed and accelerations.

**Example:**

**Given:** A track roller application for a linear slide in which each roller supports a 453.59 kg (1000 lbs.) load and travels at 609.600 mm (24.0000 in) per second.

Select a track roller and calculate the *L<sub>10</sub>* life in hours assuming continuous operation at the given speed. Assume conditions of alignment, lubrication and temperature are ideal.

**Solution:** Calculate the minimum *C<sub>w</sub>* required.

The applied radial load must not be greater than *C<sub>w</sub>/2* based on ideal operating conditions.

Therefore,  $F_r < C_w/2$  or  $C_w > 907.18$  kN (2000 lbs.)

For a KRV30,  $C_w = 1002.4$  kN (2210 lbs.)

To calculate the speed in  $\text{min}^{-1}$ ,  $V = \text{Pi} \cdot D \cdot n$

Where:

- V* = linear velocity
- Pi* = 3.14
- D* = outside diameter of the track roller assembly

Therefore,  $609.600 \text{ mm (24.000 in)/sec.} = 3.14 \cdot 30.000 \text{ mm} \cdot n$

Making appropriate substitutions and solving for *n* yields a value of approximately 388  $\text{min}^{-1}$ .

The standard catalog life equation of a roller bearing is:

$L_{10} = (C/P)^{10/3} \cdot (16667/n)$

Where:

- L<sub>10</sub>* = calculated fatigue life in hours
- C* = the dynamic radial load ratings based on 1000000 revolutions
- P* = the dynamic equivalent radial load
- n* = speed in  $\text{min}^{-1}$

Substituting *C<sub>w</sub>* for *C* and solving:

$L_{10} = (2210/1000)^{10/3} \cdot (16667/388) = 604$  hours

**STATIC RATING AS A TRACK ROLLER**

In addition to the basic static load rating, *C<sub>0</sub>*, the tables also list the maximum permissible static radial load, *F<sub>0r perm</sub>*, that may be applied to a stud-type or yoke-type metric series track roller. The values of *F<sub>0r perm</sub>* result in a calculated minimum static factor *f<sub>s</sub>* of 0.7 for the worst condition of internal load distribution in metric series track roller operation. **The *F<sub>0r perm</sub>* values must not be exceeded.** Exceeding *F<sub>0r perm</sub>* may cause permanent damage to the track roller. A damaged track roller could cause the equipment in which the track roller is installed to malfunction. The static factor *f<sub>s</sub>* can be calculated using the following formula:

$f_s \geq 0.7 \left( \frac{F_{0r \text{ perm}}}{P_{0r}} \right)$

Where:

- F<sub>0r perm</sub>* = Maximum permissible static radial load
- P<sub>0r</sub>* = Equivalent static load (*F<sub>0r</sub>* for yoke-type track rollers)
- F<sub>0r</sub>* = Static radial load
- f<sub>s</sub>* = Static factor whose values should not be smaller than those suggested in Table B5-7.

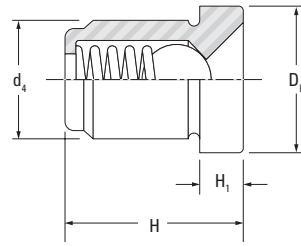
Table B5-7. Suggested values for static factors *f<sub>s</sub>* for metric series track rollers

Requirements for yoke – type track rollers and stud – type track rollers	Suggested <i>f<sub>s</sub></i> values	
	Max.	Min.
High shock-type loads Quiet running	2.5	1.5
Normal loading Normal quietness of running	1.5	1
Minor impact loads and rotary motion particularly quiet running not required	1	0.7

**LUBRICATION OF STUD-TYPE TRACK ROLLERS**

JTEKT metric series stud-type track rollers are supplied with a lithium soap-based, general-purpose grease. When the caged KR Series track rollers are operated at low speeds, with light loads and in clean environments, there is often no need to re-lubricate the track roller. In other applications, periodic re-lubrication may be necessary to obtain optimum performance. The full complement series of track rollers have less internal volume available for grease storage. Therefore, they may require more frequent lubrication than caged-type track rollers. Stud-type track rollers – with a screwdriver slot in the flanged end of the stud – have provisions for re-lubrication through the flanged end of the stud. Metric series stud-type track rollers, with hexagonal sockets, can not be re-lubricated from the flanged end of the stud. Both types of metric series stud-type track rollers – with outer diameters larger than 22.000 mm (0.8661 in) (28.000 mm [1.1024 in] for all GC variations) – allow for re-lubrication through the threaded end of the stud. In addition, caged roller and NUKR Series stud-type track rollers – with 30.000 mm (1.8110 in) and larger outer diameters – allow for re-lubrication through a cross-drilled hole in the stud shank. The ends of the axial holes are counterbored to accept press-fit grease fittings of series VENN. The grease fittings are supplied with metric series stud-type track rollers. Hole diameters ( $d_4$ ) for these grease fittings are listed in the tables of dimensions on pages later in this chapter as it applies. Note that the GC small series has no axial hole.

One or more plugs are supplied with every metric series stud-type track roller, to close off unused holes. At the flanged end, the plug must not be pushed in too deeply, as it may cover the cross-drilled lubricating hole. The plug should be pressed in using an installation tool whose dimensions are given in Table B5-9. If the cross-drilled hole in the stud shank is not used, it will be covered when the track roller is properly installed.

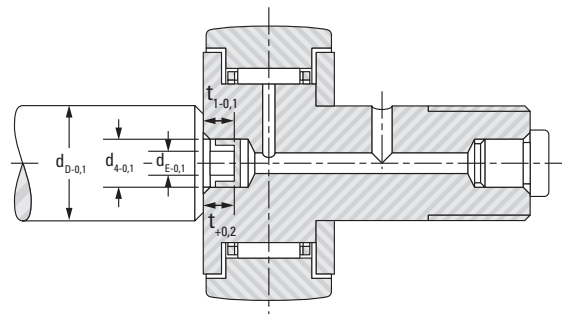


**Fig. B5-14. Metric series grease fittings**

**Table B5-8. Metric series grease fittings, series VENN**

Designation	$d_4$	$D_k$	H	$H_1$	Approx. wt.
	mm in	mm in	mm in	mm in	g lbs
<b>VENN 4</b>	<b>4.000</b> 0.1575	<b>6.000</b> 0.2362	<b>6.000</b> 0.2362	<b>1.500</b> 0.0591	<b>0.4</b> 0.0009
<b>VENN 6</b>	<b>6.000</b> 0.2362	<b>8.000</b> 0.3147	<b>7.000</b> 0.2756	<b>2.000</b> 0.0787	<b>1.6</b> 0.0035
<b>VENN 8</b>	<b>8.000</b> 0.3150	<b>10.000</b> 0.3937	<b>12.000</b> 0.4724	<b>3.000</b> 0.1181	<b>4.7</b> 0.0104

During installation of the track roller it is desirable to ensure that the cross-drilled hole is positioned in the unloaded zone of the track roller raceway. The location of the cross-drilled hole can be best recognized by its alignment with the manufacturer's stamp, parallel to the screwdriver slot (when applicable).



**Fig. B5-15. Installation tool for metric series plug**

**Table B5-9. Installation tool for metric series plug**

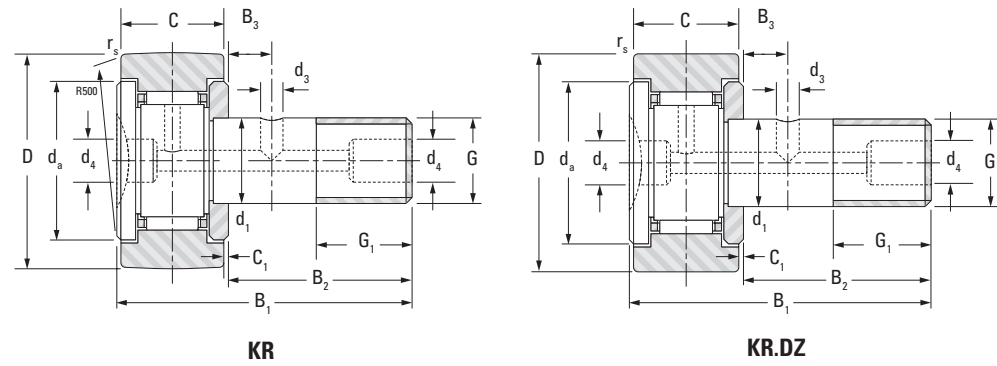
Stud-type track roller O.D.		$d_4$	$d_D$	$d_E$	t	$t_1$
>	≤	mm in	mm in	mm in	mm in	mm in
<b>16.000</b> 0.6299	<b>26.000</b> 1.0236	<b>3.900</b> 0.1535	<b>10.000</b> 0.3937	<b>2.700</b> 0.1063	<b>3.700</b> 0.1457	<b>4.500</b> 0.1772
<b>30.000</b> 1.1811	<b>40.000</b> 1.5748	<b>5.900</b> 0.2323	<b>12.000</b> 0.4724	<b>4.700</b> 0.1850	<b>4.700</b> 0.1850	<b>7.000</b> 0.2756
<b>47.000</b> 1.8504	<b>90.000</b> 3.5433	<b>7.900</b> 0.3110	<b>15.000</b> 0.5905	<b>6.700</b> 0.2638	<b>6.700</b> 0.2638	<b>10.000</b> 0.3937

**LUBRICATION OF YOKE-TYPE TRACK ROLLERS**

Yoke-type track rollers are produced with a lubricating hole in the inner ring so they can be re-lubricated through a cross-drilled hole in the supporting shaft or bolt. When mounting yoke-type track rollers, care should be taken that the lubrication hole is located in the unloaded raceway zone.

Oil is the preferred lubricant for yoke-type track rollers. Continuous oil lubrication, or frequent grease lubrication should be used for steady rotating conditions. Applications involving slow, intermittent oscillations are not as critical, and longer intervals between re-lubrication are permitted. Sealed yoke-type track rollers are normally supplied with an initial charge of a medium-temperature grease. Caged yoke-type track rollers have maximum grease storage capacity and, consequently, longer pregreased life than full complement types.

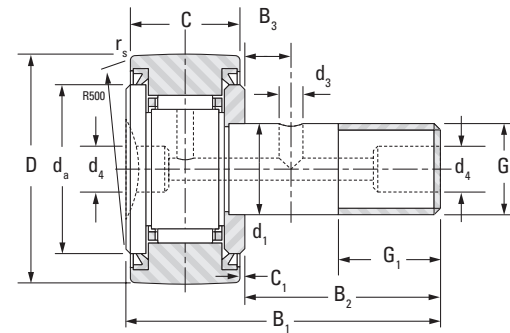
**NEEDLE ROLLER AND CAGE ASSEMBLIES,  
STUD-TYPE (KR SERIES)  
METRIC SERIES**



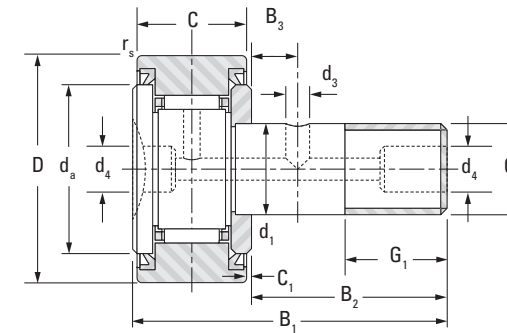
Outer Dia.	d <sub>1</sub>	D, h7	C	r <sub>s min</sub>	B <sub>1</sub>	B <sub>2</sub>	B <sub>3</sub>	G <sub>1</sub>	d <sub>4</sub>	d <sub>3</sub>	G		d <sub>a</sub>
											Thread	C <sub>1</sub>	
mm in	mm in	mm in	mm in	mm in	mm in	mm in	mm in	mm in	mm in	mm in		mm in	mm in
16 0.6299	6 0.2362	16 0.6299	11 0.433	0.3 0.012	28.2 1.110	16 0.630		8 0.315	4 0.157		M6x1	0.6 0.024	11 0.433
19 0.7480	8 0.3150	19 0.7480	11 0.433	0.3 0.012	32.2 1.268	20 0.787		10 0.394	4 0.157		M8x1.25	0.6 0.024	13 0.512
22 0.8661	10 0.3937	22 0.8661	12 0.472	0.3 0.012	36.0 1.417	23 0.906		12 0.472	4 0.157		M10x1	0.6 0.024	15 0.591
26 1.0236	10 0.3937	26 1.0236	12 0.472	0.3 0.012	36.0 1.417	23 0.906		12 0.472	4 0.157		M10x1	0.6 0.024	15 0.591
30 0.551	12 0.4724	30 1.1811	14 0.551	0.6 0.024	40.0 1.575	25 0.984	6 0.236	13 0.512	6 0.236	3 0.118	M12x1.5	0.6 0.024	21 0.827
32 0.551	12 0.4724	32 1.2598	14 0.551	0.6 0.024	40.0 1.575	25 0.984	6 0.236	13 0.512	6 0.236	3 0.118	M12x1.5	0.6 0.024	21 0.827

Crowned Designation	Cylindrical Designation	Load Ratings					Tightening Torque	Speed Rating Grease	Wt.
		As a Bearing		As a Track Roller					
		Dynamic C	Static C <sub>0</sub>	Dynamic C <sub>w</sub>	Dynamic F <sub>r perm</sub>	Static F <sub>0r perm</sub>			
		kN lbf	kN lbf	kN lbf	kN lbf	N-m lb-in	min <sup>-1</sup>	kg lbs	
KR16	KR16.DZ	3.60 810	3.58 800	2.97 670	2.85 640	3.58 800	7 62.0	17000	0.019 0.042
KR19	KR19.DZ	4.18 940	4.65 1050	3.28 740	3.29 740	4.22 950	16 142	13000	0.031 0.068
KR22	KR22.DZ	5.35 1200	6.79 1530	3.94 890	4.04 910	5.45 1230	28 248	10000	0.046 0.101
KR26	KR26.DZ	5.35 1200	6.79 1530	4.55 1020	6.78 1520	7.24 1630	28 248	10000	0.059 0.130
KR30	KR30.DZ	7.89 1770	9.79 2200	6.32 1420	7.74 1740	9.31 2090	45 398	8200	0.087 0.192
KR32	KR32.DZ	7.89 1770	9.79 2200	6.65 1490	9.62 2160	10.3 2320	45 398	8200	0.095 0.209

**NEEDLE ROLLER AND CAGE ASSEMBLIES, SEALED,  
STUD-TYPE (KR...2S SERIES)  
METRIC SERIES**



**KR.2RS**

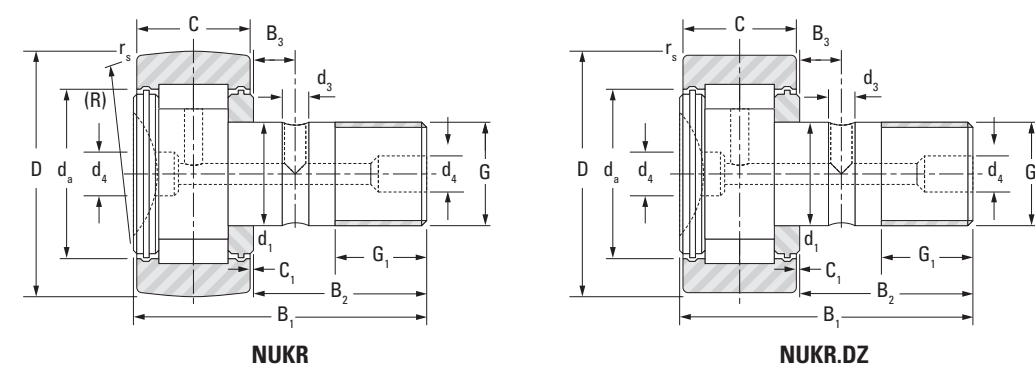
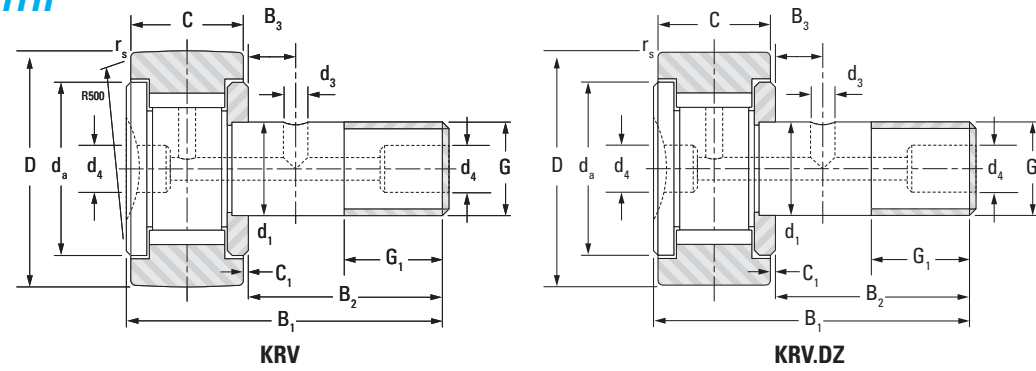


**KR.DZ.2RS**

Outer Dia.	d <sub>1</sub>	D, h7	C	r <sub>s</sub> min	B <sub>1</sub>	B <sub>2</sub>	B <sub>3</sub>	G <sub>1</sub>	d <sub>4</sub>	d <sub>3</sub>	G		C <sub>1</sub>	d <sub>a</sub>
											Thread			
16 0.6299	6 0.2362	16 0.6299	11 0.433	0.3 0.012	28.2 1.110	16 0.630		8 0.315	4 0.157		M6x1	0.6 0.024	11 0.433	
19 0.7480	8 0.3150	19 0.7480	11 0.433	0.3 0.012	32.2 1.268	20 0.787		10 0.394	4 0.157		M8x1.25	0.6 0.024	13 0.512	
22 0.8661	10 0.3937	22 0.8661	12 0.472	0.3 0.012	36.2 1.425	23 0.906		12 0.472	4 0.157		M10x1	0.6 0.024	15 0.591	
26 1.0236	10 0.3937	26 1.0236	12 0.472	0.3 0.012	36.2 1.425	23 0.906		12 0.472	4 0.157		M10x1	0.6 0.024	15 0.591	
30 1.1811	12 0.4724	30 1.1811	14 0.551	0.6 0.024	40.2 1.583	25 0.984	6 0.236	13 0.512	6 0.236	3 0.118	M12x1.5	0.6 0.024	21 0.827	
32 1.2598	12 0.4724	32 1.2598	14 0.551	0.6 0.024	40.2 1.583	25 0.984	6 0.236	13 0.512	6 0.236	3 0.118	M12x1.5	0.6 0.024	21 0.827	

Crowned Designation	Cylindrical Designation	Load Ratings					Tightening Torque	Speed Rating Grease	Wt.
		As a Bearing		As a Track Roller					
		Dynamic	Static	Dynamic		Static			
		C	C <sub>0</sub>	C <sub>w</sub>	F <sub>r perm</sub>	F <sub>Dr perm</sub>			
		<b>kN lbf</b>		<b>kN lbf</b>			<b>N-m lb-in</b>	<b>min<sup>-1</sup></b>	<b>kg lbs</b>
KR16.2RS	KR16.DZ.2RS	3.60 810	3.58 800	2.97 670	2.85 640	3.58 800	7.0 61.96	17000	0.019 0.042
KR19.2RS	KR19.DZ.2RS	4.18 940	4.65 1050	3.28 740	3.29 740	4.22 950	16 141.61	13000	0.031 0.068
KR22.2RS	KR22.DZ.2RS	5.35 1200	6.79 1530	3.94 890	4.04 910	5.45 1230	28 247.82	10000	0.046 0.101
KR26.2RS	KR26.DZ.2RS	5.35 1200	6.79 1530	4.55 1020	6.78 1520	7.24 1630	28 247.82	10000	0.059 0.130
KR30.2RS	KR30.DZ.2RS	7.89 1770	9.79 2200	6.32 1420	7.74 1740	9.31 2090	45 398.28	8200	0.087 0.192
KR32.2RS	KR32.DZ.2RS	7.89 1770	9.79 2200	6.65 1490	9.62 2160	10.3 2320	45 398.28	8200	0.098 0.216

**FULL COMPLEMENT WITH  
NEEDLE ROLLERS  
(KRV SERIES)  
OR CYLINDRICAL  
ROLLERS, STUD-TYPE  
(NUKR SERIES)  
METRIC SERIES**

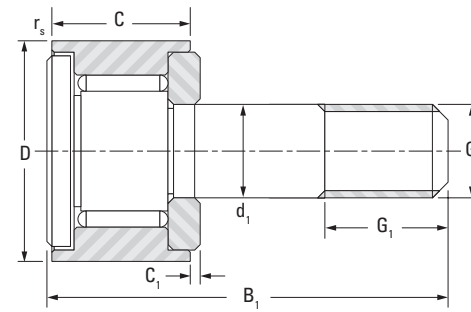


Outer Dia.	d <sub>1</sub>	D, h7	C	r <sub>s</sub> min	B <sub>1</sub>	B <sub>2</sub>	B <sub>3</sub>	G <sub>1</sub>	d <sub>4</sub>	d <sub>3</sub>	G		d <sub>a</sub>
											Thread	C <sub>1</sub>	
16 0.6299	6 0.2362	16 0.6299	11 0.433	0.3 0.012	28.2 1.110	16 0.630		8 0.315	4 0.157		M6x1	0.6 0.024	11 0.433
19 0.7480	8 0.3150	19 0.7480	11 0.433	0.3 0.012	32.2 1.268	20 0.787		10 0.394	4 0.157		M8x1.25	0.6 0.024	13 0.512
22 0.8661	10 0.3937	22 0.8661	12 0.472	0.3 0.012	36.2 1.425	23 0.906		12 0.472	4 0.157		M10x1	0.6 0.024	15 0.591
26 1.0236	10 0.3937	26 1.0236	12 0.472	0.3 0.012	36.2 1.425	23 0.906		12 0.472	4 0.157		M10x1	0.6 0.024	15 0.591
30 1.1811	12 0.4724	30 1.1811	14 0.551	0.6 0.024	40.2 1.583	25 0.984	6 0.236	13 0.512	6 0.236	3 0.118	M12x1.5	0.6 0.024	21 0.827
32 1.2598	12 0.4724	32 1.2598	14 0.551	0.6 0.024	40.2 1.583	25 0.984	6 0.236	13 0.512	6 0.236	3 0.118	M12x1.5	0.6 0.024	21 0.827
35 1.3780	16 0.6299	35 1.3780	18 0.709	0.6 0.024	52 2.047	32.5 1.280	8 0.315	17 0.669	6 0.236	3 0.118	M16x1.5	0.8 0.031	25 0.984
40 1.5748	18 0.7087	40 1.5748	20 0.787	1 0.039	58 2.283	36.5 1.437	8 0.315	19 0.748	6 0.236	3 0.118	M18x1.5	0.8 0.031	27 1.063
47 1.8504	20 0.7874	47 1.8504	24 0.945	1 0.039	66 2.598	40.5 1.594	9 0.354	21 0.827	6 0.236	4 0.157	M20x1.5	0.8 0.031	33 1.299
52 2.0472	20 0.7874	52 2.0472	24 0.945	1 0.039	66 2.598	40.5 1.594	9 0.354	21 0.827	6 0.236	4 0.157	M20x1.5	0.8 0.031	37 1.457
62 2.4409	24 0.9449	62 2.4409	29 1.142	1 0.039	80 3.150	49.5 1.949	11 0.433	25 0.984	8 0.315	4 0.157	M24x1.5	0.8 0.031	45 1.772
72 2.8346	24 0.9449	72 2.8346	29 1.142	1.1 0.043	80 3.150	49.5 1.949	11 0.433	25 0.984	8 0.315	4 0.157	M24x1.5	0.8 0.031	51 2.008
80 3.1496	30 1.1811	80 3.1496	35 1.378	1.1 0.043	100 3.937	63 2.480	15 0.591	32 1.260	8 0.315	4 0.157	M30x1.5	1.0 0.039	52 2.047
90 3.5433	30 1.1811	90 3.5433	35 1.378	1.1 0.043	100 3.937	63 2.480	15 0.591	32 1.260	8 0.315	4 0.157	M30x1.5	1.0 0.039	52 2.047

Crowned Designation	Cylindrical Designation	Load Ratings					Tightening Torque	Speed Rating Grease	Wt.
		As a Bearing		As a Track Roller					
		Dynamic	Static	Dynamic	Static	Static			
		C	C <sub>0</sub>	C <sub>w</sub>	F <sub>r perm</sub>	F <sub>Dr perm</sub>			
		kN lbf		kN lbf			N-m lb-in	min <sup>-1</sup>	kg lbs
KRV16	KRV16.DZ	6.90 1550	8.40 1890	5.11 1150	3.49 780	6.28 1410	7 62.0	5700	0.019 0.042
KRV19	KRV19.DZ	8.08 1820	11.0 2470	5.66 1270	4.13 930	7.43 1670	16 142	4300	0.031 0.068
KRV22	KRV22.DZ	9.45 2120	14.3 3210	6.32 1420	5.04 1130	9.07 2040	28 248	3400	0.046 0.101
KRV26	KRV26.DZ	9.45 2120	14.3 3210	7.30 1640	8.60 1930	12.7 2860	28 248	3400	0.059 0.130
KRV30	KRV30.DZ	13.4 3010	19.8 4450	9.85 2210	9.20 2070	15.7 3530	45 398	2800	0.087 0.192
KRV32	KRV32.DZ	13.4 3010	19.8 4450	10.4 2340	11.3 2540	17.4 3910	45 398	2800	0.098 0.216
NUKR35.2SK		24.7 5550	29.4 6610	16.2 3640	10.1 2270	16.1 3620	53.2 471	6100	0.170 0.375
NUKR40.2SK		26.6 5980	33.3 7490	18.7 4200	15.0 3370	23.9 5370	77.5 686	5300	0.250 0.551
NUKR47.2SK		41.4 9310	53.2 12000	28.1 6320	20.5 4610	32.7 7350	109 965	4500	0.380 0.838
NUKR52.2SK		45.8 10300	63.1 14200	29.6 6650	22.2 4990	35.4 7960	109 965	3700	0.461 1.016
NUKR62.2SK		62.7 14100	83.1 18700	40.9 9190	29.6 6650	47.2 10600	193 1708	3200	0.790 1.742
NUKR72.2SK		68.9 15500	97.8 22000	46.1 10400	39.6 8900	63.1 14200	193 1708	2600	1.040 2.293
NUKR80.2SK		95.4 21400	130 29200	69.7 15700	63.2 14200	101 22700	390 3452	2900	1.550 3.417
NUKR90.2SK		95.4 21400	130 29200	77.8 17500	97.8 22000	128 28800	390 3452	2900	2.020 4.453



**FULL COMPLEMENT, SMALL SERIES,  
UNSEALED,  
STUD-TYPE (GC SERIES)  
METRIC SERIES**



**GC10-15/GCL10-15 Series**

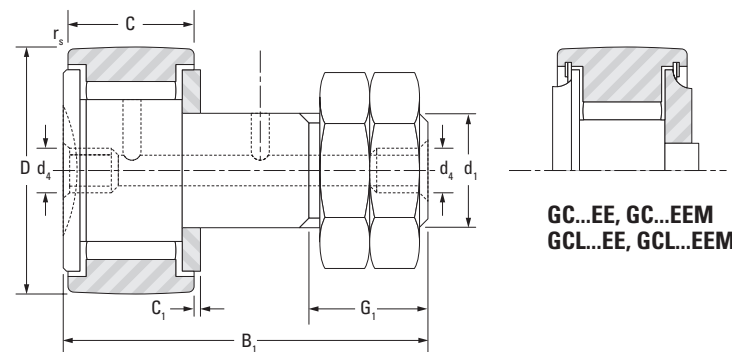
GC: crowned outer ring  
GCL: cylindrical outer ring

Outer Dia.	D	d <sub>1</sub>	Thread	C	C <sub>1</sub>	r <sub>s</sub> min	B <sub>1</sub>	G <sub>1</sub>
mm in	mm in	mm in		mm in	mm in	mm in	mm in	mm in
10 0.3937	10 0.3937	4 0.1575	M4 x 0.7	8 0.315	0.25 0.010	0.2 0.008	19.5 0.768	6 0.236
11 0.4331	11 0.4331	4 0.1575	M4 x 0.7	8 0.315	0.25 0.010	0.2 0.008	19.5 0.768	6 0.236
12 0.4724	12 0.4724	5 0.1969	M5 x 0.8	9 0.354	0.25 0.010	0.2 0.008	22.5 0.886	7 0.276
13 0.5118	13 0.5118	5 0.1969	M5 x 0.8	9 0.354	0.25 0.010	0.2 0.008	22.5 0.886	7 0.276
14 0.5512	14 0.5512	6 0.2362	M6 x 1	9.5 0.374	0.25 0.010	0.3 0.012	26 1.024	8 0.315
15 0.5906	15 0.5906	6 0.2362	M6 x 1	9.5 0.374	0.25 0.010	0.3 0.012	26 1.024	8 0.315

Crowned Designation	Cylindrical Designation	Tightening Torque	Load Ratings					Speed Rating Grease	Wt.
			As a Bearing		As a Track Roller				
			C	C <sub>0</sub>	C <sub>w</sub>	F <sub>r</sub> perm	F <sub>0r</sub> perm		
		<b>N-m</b> lb-in	<b>kN</b> lbf		<b>kN</b> lbf			min <sup>-1</sup>	<b>kg</b> lbs
GC 10	GCL 10	0.9 7.97	2.80 629	3.09 695	1.92 432	1.01 227	1.82 409	8500	0.006 0.014
GC 11	GCL 11	0.9 7.97	2.8 629	3.09 695	2.12 477	1.43 321	2.58 580	8500	0.007 0.016
GC 12	GCL 12	1.8 15.93	3.74 841	4.74 1070	2.54 571	1.63 366	2.94 661	6600	0.011 0.024
GC 13	GCL 13	1.8 15.93	3.74 841	4.74 1070	2.16 486	2.75 618	3.89 874	6600	0.011 0.024
GC 14	GCL 14	3.0 26.55	4.05 910	5.44 1220	2.86 643	2.26 508	4.07 915	5700	0.016 0.035
GC 15	GCL 15	3.0 26.55	4.05 910	5.44 1220	3.04 683	2.83 636	4.65 1050	5700	0.018 0.039

**FULL COMPLEMENT,  
STANDARD SERIES,  
WITH OR WITHOUT SEALS,  
STUD-TYPE (GC SERIES)  
METRIC SERIES**

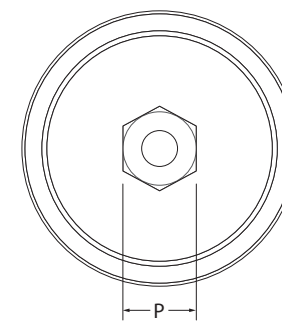
GC: crowned outer ring  
GCL: cylindrical outer ring  
EE: with plastic seals  
EEM: with metal seals



**GC16-90/GCL16-90 Series**

**GC...EE, GC...EEM  
GCL...EE, GCL...EEM**

Outer Dia.	D	d <sub>1</sub>	Pitch	C	C <sub>1</sub>	r <sub>s min</sub>	B <sub>1</sub>	G <sub>1</sub>	Crowned Designation	Cylindrical Designation
mm in	mm in	mm in	mm	mm in	mm in	mm in	mm in	mm in		
16 0.6299	16 0.6299	6 0.2362	1.0	11 0.433	0.60 0.024	0.3 0.012	28.3 1.114	8 0.315	GC 16	GCL 16
19 0.748	19 0.748	8 0.315	1.25	11 0.433	0.60 0.024	0.3 0.012	32.3 1.272	10 0.394	GC 19	GCL 19
22 0.8661	22 0.8661	10 0.3937	1.25	12 0.472	0.60 0.024	0.3 0.012	36.3 1.429	12 0.472	GC 22	GCL 22
24 0.9449	24 0.9449	10 0.3937	1.25	12 0.472	0.60 0.024	0.3 0.012	36.3 1.429	12 0.472	GC 24	GCL 24
26 1.0236	26 1.0236	10 0.3937	1.25	12 0.472	0.60 0.024	0.3 0.012	36.3 1.429	12 0.472	GC 26	GCL 26
28 1.1024	28 1.1024	10 0.3937	1.25	12 0.472	0.60 0.024	0.3 0.012	36.3 1.429	12 0.472	GC 28	GCL 28
30 1.1811	30 1.1811	12 0.4724	1.5	14 0.51	0.60 0.024	0.6 0.024	40.3 1.587	13 0.512	GC 30	GCL 30
32 1.2598	32 1.2598	12 0.4724	1.5	14 0.51	0.60 0.024	0.6 0.024	40.3 1.587	13 0.512	GC 32	GCL 32
35 1.378	35 1.378	16 0.6299	1.5	18 0.709	0.80 0.031	0.6 0.024	52.3 2.059	17 0.669	GC 35	GCL 35
47 1.8504	47 1.8504	20 0.7874	1.5	24 0.45	0.80 0.031	1 0.039	66.3 2.61	21 0.827	GC 47	GCL 47
52 2.0472	52 2.0472	20 0.7874	1.5	24 0.45	0.80 0.031	1 0.039	66.3 2.61	21 0.827	GC 52	GCL 52
62 2.4409	62 2.4409	24 0.9449	1.5	29 1.142	0.80 0.031	1 0.039	80.3 3.161	25 0.984	GC 62	GCL 62
72 2.8346	72 2.8346	24 0.9449	1.5	29 1.142	0.80 0.031	1 0.039	80.3 3.161	25 0.984	GC 72	GCL 72
80 3.1496	80 3.1496	30 1.1811	1.5	35 1.378	1.00 0.039	1 0.039	100.3 3.949	32 1.26	GC 80	GCL 80
85 3.3465	85 3.3465	30 1.1811	1.5	35 1.378	1.00 0.039	1 0.039	100.3 3.949	32 1.26	GC 85	GCL 85
90 3.5433	90 3.5433	30 1.1811	1.5	35 1.378	1.00 0.039	1 0.039	100.3 3.949	32 1.26	GC 90	GCL 90

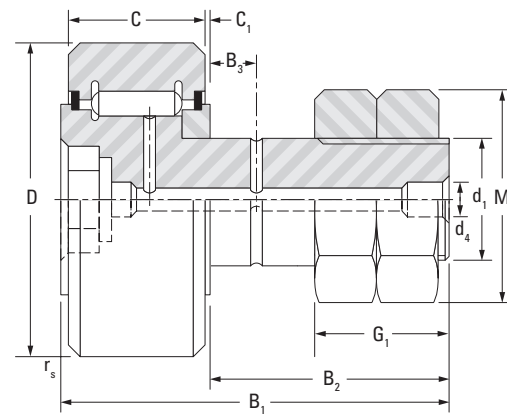


**Hex Socket Roller End**

Tightening Torque	Load Ratings					Speed Rating Grease	P Wrench	d <sub>4</sub>	Wt.
	As a Bearing		As a Track Roller						
	C	C <sub>0</sub>	C <sub>w</sub>	F <sub>r perm</sub>	F <sub>0r perm</sub>				
<b>N-m</b> <b>lb-in</b>	<b>kN</b> <b>lbf</b>		<b>kN</b> <b>lbf</b>			min <sup>-1</sup>	<b>mm</b>	<b>mm</b> <b>in</b>	<b>kg</b> <b>lbs</b>
3 26.6	5.66 1270	6.51 1460	4.19 942	2.79 627	5.02 1130	5700	N/A	4 0.157	0.021 0.046
8 70.8	6.44 1450	8.15 1830	4.65 1050	3 785	6.28 1410	4400	N/A	4 0.157	0.034 0.075
20 177	7.3 1640	10.2 2290	5.05 1140	4.07 915	7.33 1650	3500	N/A	4 0.157	0.058 0.128
20 177	7.3 1640	10.2 2290	5.45 1230	5.42 1220	8.63 1940	3500	N/A	4 0.157	0.067 0.148
20 177	9.92 2230	12.9 2900	7.09 1590	5.43 1220	9.77 2200	3200	N/A	4 0.157	0.072 0.159
20 177	9.92 2230	12.9 2900	7.57 1700	6.95 1560	11.4 2560	3200	N/A	4 0.157	0.08 0.176
26 230	15.5 3480	20.4 4590	11.2 2520	8.48 1910	15.3 3440	2900	8	4 0.157	0.115 0.254
26 230	15.5 3480	20.4 4590	11.8 2650	10.6 2380	18.1 4070	2900	8	4 0.157	0.12 0.265
64 566	23.6 5310	33.1 7440	15.7 3530	10.8 2430	19.4 4360	2200	10	6 0.236	0.208 0.459
120 1060	36.5 8210	65.5 14700	22.5 5060	20.2 4540	36.4 8180	1400	14	6 0.236	0.477 1.052
120 1060	36.5 8210	65.5 14700	25.2 5670	28 6290	47.5 10700	1400	14	6 0.236	0.542 1.195
220 1950	43.3 9730	85.6 19200	30.5 6860	42.9 9640	64.7 14500	1200	12	6 0.236	0.944 2.081
220 1950	43.3 9730	85.6 19200	33.9 7620	65.8 14800	79.5 17900	1200	12	6 0.236	1.165 2.568
450 3980	65.1 14600	144 32400	42.7 9600	62.9 14100	95.3 21400	870	14	8 0.315	1.915 4.222
450 3980	65.1 14600	144 32400	45.1 10100	75.3 16900	106 23800	870	14	8 0.315	2.096 4.621
450 3980	65.1 14600	144 32400	47.1 10600	88.8 20000	115 25900	870	14	8 0.315	2.287 5.042

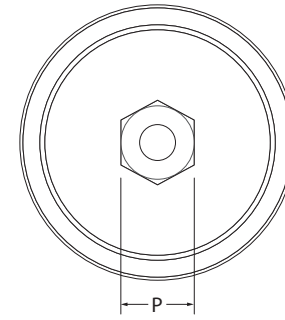
**FULL COMPLEMENT,  
WITH METAL SEALS,  
STUD-TYPE (GCU...MM SERIES)  
METRIC SERIES**

GCU: crowned outer ring  
GCUL: cylindrical outer ring



**GCU, GCUL**

Outer Dia.	D	d <sub>1</sub>	C	C <sub>1</sub>	B <sub>1</sub>	G <sub>1</sub>	r <sub>s</sub> min	Crowned Designation	Cylindrical Designation
mm in	mm in	mm in	mm in	mm in	mm in	mm in	mm in		
35 1.3780	35 1.3780	16 0.6299	18 0.709	0.85 0.033	52.3 2.059	17 0.669	0.6 0.024	GCU 35 MM	GCUL 35 MM
40 1.5748	40 1.5748	18 0.7087	20 0.787	0.85 0.033	58.3 2.295	19 0.748	1.0 0.039	GCU 40 MM	GCUL 40 MM
47 1.8504	47 1.8504	20 0.7874	24 0.945	0.85 0.033	66.3 2.610	21 0.827	1.0 0.039	GCU 47 MM	GCUL 47 MM
52 2.0472	52 2.0472	20 0.7874	24 0.945	0.85 0.033	66.3 2.610	21 0.827	1.0 0.039	GCU 52 MM	GCUL 52 MM
62 2.4409	62 2.4409	24 0.9449	29 1.142	0.85 0.033	80.3 3.161	25 0.984	1.0 0.039	GCU 62 MM	GCUL 62 MM
72 2.8346	72 2.8346	24 0.9449	29 1.142	0.85 0.033	80.3 3.161	25 0.984	1.1 0.043	GCU 72 MM	GCUL 72 MM
80 3.1496	80 3.1496	30 1.1811	35 1.378	1.10 0.043	100.3 3.949	32 1.260	1.1 0.043	GCU 80 MM	GCUL 80 MM
90 3.5433	90 3.5433	30 1.1811	35 1.378	1.10 0.043	100.3 3.949	32 1.260	1.1 0.043	GCU 90 MM	GCUL 90 MM
100 3.9370	100 3.9370	36 1.4173	40 1.575	1.10 0.043	117.3 4.618	38 1.496	2.0 0.079	GCU 100 MM	GCUL 100 MM
110 4.3307	110 4.3307	36 1.4173	40 1.575	1.10 0.043	117.3 4.618	38 1.496	2.0 0.079	GCU 110 MM	GCUL 110 MM
120 4.7244	120 4.7244	42 1.6535	46 1.811	1.10 0.043	136.3 5.366	44 1.732	2.0 0.079	GCU 120 MM	GCUL 120 MM
130 5.1181	130 5.1181	42 1.6535	46 1.811	1.10 0.043	136.3 5.366	44 1.732	2.0 0.079	GCU 130 MM	GCUL 130 MM

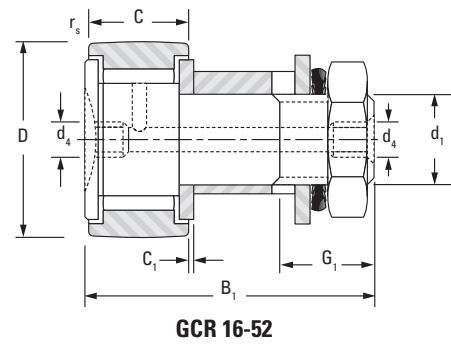


**Hex Socket Roller End**

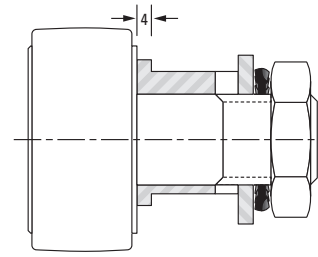
Tightening Torque	Load Ratings					Speed Rating Grease	P Wrench	B <sub>2</sub>	B <sub>3</sub>	d <sub>4</sub>	M	Wt.
	As a Bearing		As a Track Roller									
	C	C <sub>0</sub>	C <sub>w</sub>	F <sub>r</sub> perm	F <sub>0r</sub> perm							
<b>64</b> 566	<b>26.4</b> 5930	<b>32.4</b> 7280	<b>15.4</b> 3460	<b>7.25</b> 1630	<b>13.1</b> 2940	2200	<b>10</b>	<b>32.8</b> 1.291	<b>8</b> 0.315	<b>6</b> 0.236	<b>26.0</b> 1.024	<b>0.200</b> 0.441
<b>90</b> 797	<b>26.4</b> 5930	<b>32.4</b> 7280	<b>18.7</b> 4200	<b>12.1</b> 2720	<b>21.8</b> 4900	2200	<b>12</b>	<b>36.8</b> 1.449	<b>8</b> 0.315	<b>6</b> 0.236	<b>28.6</b> 1.126	<b>0.289</b> 0.637
<b>120</b> 1060	<b>43.8</b> 9850	<b>57.9</b> 13000	<b>26.7</b> 6000	<b>14.3</b> 3210	<b>25.8</b> 5800	1600	<b>14</b>	<b>40.8</b> 1.606	<b>9</b> 0.354	<b>6</b> 0.236	<b>33.6</b> 1.323	<b>0.450</b> 0.992
<b>120</b> 1060	<b>43.8</b> 9850	<b>57.9</b> 13000	<b>30.6</b> 6880	<b>21.2</b> 4770	<b>38.2</b> 8590	1600	<b>14</b>	<b>40.8</b> 1.606	<b>9</b> 0.354	<b>6</b> 0.236	<b>33.6</b> 1.323	<b>0.520</b> 1.146
<b>220</b> 1950	<b>63.7</b> 14300	<b>87.4</b> 19600	<b>44.1</b> 9910	<b>30.9</b> 6950	<b>55.6</b> 12500	1400	<b>12</b>	<b>49.8</b> 1.961	<b>11</b> 0.433	<b>6</b> 0.236	<b>38.9</b> 1.531	<b>0.910</b> 2.006
<b>220</b> 1950	<b>63.7</b> 14300	<b>87.4</b> 19600	<b>50.8</b> 11400	<b>52.7</b> 11800	<b>84.1</b> 18900	1400	<b>12</b>	<b>49.8</b> 1.961	<b>11</b> 0.433	<b>6</b> 0.236	<b>38.9</b> 1.531	<b>1.140</b> 2.513
<b>450</b> 3980	<b>100</b> 22500	<b>140</b> 31500	<b>66.8</b> 15000	<b>43.8</b> 9850	<b>78.8</b> 17700	1000	<b>14</b>	<b>63.3</b> 2.492	<b>15</b> 0.591	<b>8</b> 0.315	<b>51.8</b> 2.039	<b>1.870</b> 4.123
<b>450</b> 3980	<b>100</b> 22500	<b>140</b> 31500	<b>75.8</b> 17000	<b>68.1</b> 15300	<b>122</b> 27400	1000	<b>14</b>	<b>63.3</b> 2.492	<b>15</b> 0.591	<b>8</b> 0.315	<b>51.8</b> 2.039	<b>2.230</b> 4.914
<b>740</b> 6550	<b>115</b> 25900	<b>175</b> 39300	<b>82.1</b> 18500	<b>76.6</b> 17200	<b>135</b> 30300	840	<b>17</b>	<b>75.3</b> 2.965	<b>20</b> 0.787	<b>8</b> 0.315	<b>61.0</b> 2.402	<b>3.290</b> 7.253
<b>740</b> 6550	<b>115</b> 25900	<b>175</b> 39300	<b>89.7</b> 20200	<b>107</b> 24100	<b>161</b> 36200	840	<b>17</b>	<b>75.3</b> 2.965	<b>20</b> 0.787	<b>8</b> 0.315	<b>61.0</b> 2.402	<b>3.800</b> 8.378
<b>1 200</b> 10620	<b>167</b> 37500	<b>240</b> 54000	<b>124</b> 27900	<b>107</b> 24100	<b>193</b> 43400	740	<b>19</b>	<b>88.3</b> 3.476	<b>24</b> 0.945	<b>8</b> 0.315	<b>71.0</b> 2.795	<b>5.422</b> 11.953
<b>1 200</b> 10620	<b>167</b> 37500	<b>240</b> 54000	<b>133</b> 30000	<b>142</b> 31900	<b>228</b> 51300	740	<b>19</b>	<b>88.3</b> 3.476	<b>24</b> 0.945	<b>8</b> 0.315	<b>71.0</b> 2.795	<b>5.780</b> 12.743

**FULL COMPLEMENT,  
ECCENTRIC, STUD-TYPE  
(GCR SERIES)  
METRIC SERIES**

GCR: crowned outer ring  
GCRL: cylindrical outer ring  
EE: polymer shields  
EEM: metal shields

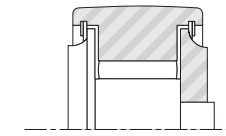


**GCR 16-52**



**GCR 62-90**

Outer Dia.	D	d <sub>1</sub>	C	C <sub>1</sub>	B <sub>1</sub>	G <sub>1</sub>	r <sub>s</sub> min	Crowned Designation	Cylindrical Designation
mm in	mm in	mm in	mm in	mm in	mm in	mm in	mm in		
16 0.6299	16 0.6299	6 0.2362	11 0.433	0.60 0.024	28.3 1.114	8 0.315	0.3 0.012	GCR 16	
19 0.748	19 0.748	8 0.315	11 0.433	0.60 0.024	32.3 1.272	10 0.394	0.3 0.012	GCR 19	
22 0.8661	22 0.8661	10 0.3937	12 0.472	0.60 0.024	36.3 1.429	12 0.472	0.3 0.012	GCR 22	GCRL 22
24 0.9449	24 0.9449	10 0.3937	12 0.472	0.60 0.024	36.3 1.429	12 0.472	0.3 0.012	GCR 24	
26 1.0236	26 1.0236	10 0.3937	12 0.472	0.60 0.024	36.3 1.429	12 0.472	0.3 0.012	GCR 26	GCRL 26
28 1.1024	28 1.1024	10 0.3937	12 0.472	0.60 0.024	36.3 1.429	12 0.472	0.3 0.012	GCR 28	GCRL 28
30 1.1811	30 1.1811	12 0.4724	14 0.551	0.60 0.024	40.3 1.587	13 0.512	0.6 0.024	GCR 30	GCRL 30
32 1.2598	32 1.2598	12 0.4724	14 0.551	0.60 0.024	40.3 1.587	13 0.512	0.6 0.024	GCR 32	GCRL 32
35 1.378	35 1.378	16 0.6299	18 0.709	0.80 0.031	52.3 2.059	17 0.669	0.6 0.024	GCR 35	GCRL 35
40 1.5748	40 1.5748	18 0.7087	20 0.787	0.80 0.031	58.3 2.295	19 0.748	1 0.039	GCR 40	GCRL 40
47 1.8504	47 1.8504	20 0.7874	24 0.945	0.80 0.031	66.3 2.61	21 0.827	1 0.039	GCR 47 EE	GCRL 47
52 2.0472	52 2.0472	20 0.7874	24 0.945	0.80 0.031	66.3 2.61	21 0.827	1 0.039	GCR 52	GCRL 52
62 2.4409	62 2.4409	24 0.9449	29 1.142	0.80 0.031	80.3 3.161	25 0.984	1 0.039	GCR 62	GCRL 62
72 2.8346	72 2.8346	24 0.9449	29 1.142	0.80 0.031	80.3 3.161	25 0.984	1 0.039	GCR 72	GCRL 72
80 3.1496	80 3.1496	30 1.1811	35 1.378	1.00 0.039	100.3 3.949	32 1.26	1 0.039	GCR 80	
90 3.5433	90 3.5433	30 1.1811	35 1.378	1.00 0.039	100.3 3.949	32 1.26	1 0.039	GCR 90	GCRL 90

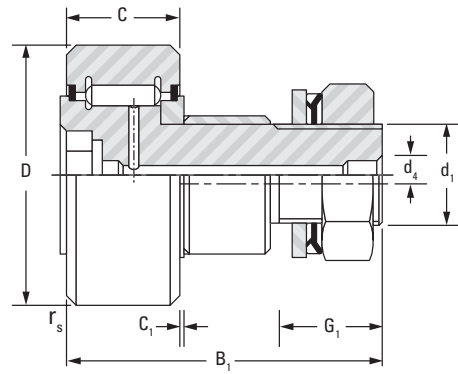


**GCR..EE, GCR..EEM  
GCRL..EE, GCRL..EEM**

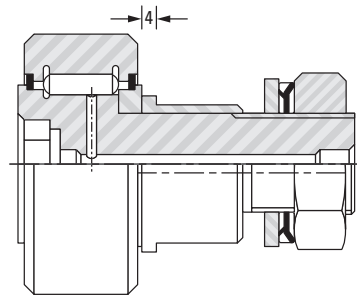
Tightening Torque	Load Ratings					Speed Rating Grease	d <sub>4</sub>	Wt.
	As a Bearing		As a Track Roller					
	C	C <sub>0</sub>	C <sub>w</sub>	F <sub>r perm</sub>	F <sub>0r perm</sub>			
<b>N-m</b> <b>lb-in</b>	<b>kN</b> <b>lbf</b>		<b>kN</b> <b>lbf</b>			<b>min<sup>-1</sup></b>	<b>mm</b> <b>in</b>	<b>kg</b> <b>lbs</b>
2 17.7	5.66 1270	6.51 1460	4.19 942	2.79 627	5.02 1130	5700	4 0.157	0.024 0.053
5 44.3	6.44 1450	8.15 1830	4.65 1050	3 785	6.28 1410	4400	4 0.157	0.039 0.086
16 142	7.3 1640	10.2 2290	5.05 1140	4.07 915	7.33 1650	3500	4 0.157	0.057 0.126
16 142	7.3 1640	10.2 2290	5.45 1230	5.42 1220	8.63 1940	3500	4 0.157	0.072 0.159
16 142	9.92 2230	12.9 2900	7.09 1590	5.43 1220	9.77 2200	3200	4 0.157	0.080 0.176
16 142	9.92 2230	12.9 2900	7.57 1700	6.95 1560	11.4 2560	3200	4 0.157	0.088 0.194
22 195	15.5 3480	20.4 4590	11.2 2520	8.48 1910	15.3 3440	2900	4 0.157	0.118 0.260
22 195	15.5 3480	20.4 4590	11.8 2650	10.6 2380	18.1 4070	2900	4 0.157	0.126 0.278
55 487	23.6 5310	33.1 7440	15.7 3530	10.8 2430	19.4 4360	2200	6 0.236	0.220 0.485
75 664	29.9 6720	48 10800	18.5 4160	13.8 3100	24.8 5580	1800	6 0.236	0.321 0.708
100 885	36.5 8210	65.5 14700	22.5 5060	20.2 4540	36.4 8180	1400	6 0.236	0.500 1.102
100 885	36.5 8210	65.5 14700	25.2 5670	28 6290	47.5 10700	1400	6 0.236	0.568 1.252
180 1590	43.3 9730	85.6 19200	30.5 6860	42.9 9640	64.7 14500	1200	8 0.315	1.035 2.282
180 1590	43.3 9730	85.6 19200	33.9 7620	65.8 14800	79.5 17900	1200	8 0.315	1.278 2.818
370 3270	65.1 14600	144 32400	42.7 9600	62.9 14100	95.3 21400	870	8 0.315	2.074 4.572
370 3270	65.1 14600	144 32400	47.1 10600	88.8 20000	115 25900	870	8 0.315	2.435 5.368

**FULL COMPLEMENT,  
ECCENTRIC, WITH METAL  
SEALS, STUD-TYPE  
(G CUR...MM SERIES)  
METRIC SERIES**

G CUR: crowned outer ring  
G CURL: cylindrical outer ring

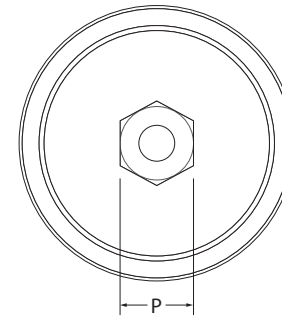


**G CUR 35-52**



**G CUR 62-130**

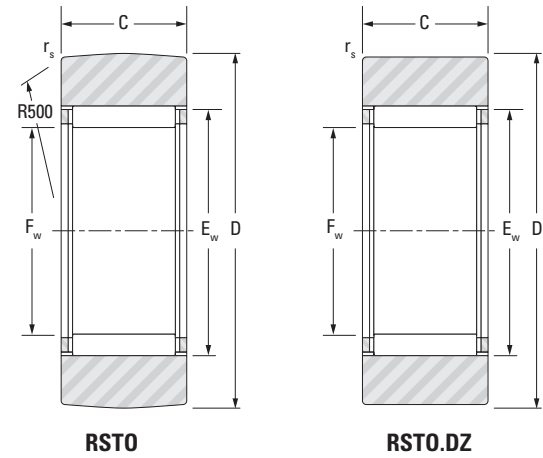
Outer Dia.	D	d <sub>1</sub>	C	C <sub>1</sub>	B <sub>1</sub>	G <sub>1</sub>	r <sub>s</sub> min	Crowned Designation	Cylindrical Designation
mm in	mm in	mm in	mm in	mm in	mm in	mm in	mm in		
35 1.3780	35 1.3780	16 0.6299	18 0.709	0.85 0.033	52.3 2.059	17 0.669	0.6 0.024	G CUR 35 MM	
40 1.5748	40 1.5748	18 0.7087	20 0.787	0.85 0.033	58.3 2.295	19 0.748	1.0 0.039		G CURL 40 MM
52 2.0472	52 2.0472	20 0.7874	24 0.945	0.85 0.033	66.3 2.610	21 0.827	1.0 0.039	G CUR 52 MM	
62 2.4409	62 2.4409	24 0.9449	29 1.142	0.85 0.033	80.3 3.161	25 0.984	1.0 0.039	G CUR 62 MM	
72 2.8346	72 2.8346	24 0.9449	29 1.142	0.85 0.033	80.3 3.161	25 0.984	1.1 0.043	G CUR 72 MM	
80 3.1496	80 3.1496	30 1.1811	35 1.378	1.10 0.043	100.3 3.949	32 1.260	1.1 0.043	G CUR 80 MM	
90 3.5433	90 3.5433	30 1.1811	35 1.378	1.10 0.043	100.3 3.949	32 1.260	1.1 0.043	G CUR 90 MM	
100 3.9370	100 3.9370	36 1.4173	40 1.575	1.10 0.043	117.3 4.618	38 1.496	2.0 0.079	G CUR 100 MM	
110 4.3307	110 4.3307	36 1.4173	40 1.575	1.10 0.043	117.3 4.618	38 1.496	2.0 0.079	G CUR 110 MM	
120 4.7244	120 4.7244	42 1.6535	46 1.811	1.10 0.043	136.3 5.366	44 1.732	2.0 0.079	G CUR 120 MM	
130 5.1181	130 5.1181	42 1.6535	46 1.811	1.10 0.043	136.3 5.366	44 1.732	2.0 0.079	G CUR 130 MM	



**Hex Socket Roller End**

Tightening Torque	Load Ratings					Speed Rating Grease	P Wrench	d <sub>4</sub>	Wt.
	As a Bearing		As a Track Roller						
	C	C <sub>0</sub>	C <sub>w</sub>	F <sub>r perm</sub>	F <sub>0r perm</sub>				
<b>N·m</b> <b>lb·in</b>	<b>kN</b> <b>lbf</b>		<b>kN</b> <b>lbf</b>			min <sup>-1</sup>	<b>mm</b>	<b>mm</b> <b>in</b>	<b>kg</b> <b>lbs</b>
55 487	26.4 5930	32.4 7280	15.4 3460	7.25 1630	13.1 2940	2200	10	6 0.236	0.215 0.474
75 664	26.4 5930	32.4 7280	18.7 4200	12.1 2720	21.8 4900	2200	12	6 0.236	0.313 0.690
100 885	43.8 9850	57.9 13000	30.6 6880	21.2 4770	38.2 8590	1600	14	6 0.236	0.555 1.224
180 1593	63.7 14300	87.4 19600	44.1 9910	30.9 6950	55.6 12500	1400	12	6 0.236	1.022 2.253
180 1593	63.7 14300	87.4 19600	50.8 11400	52.7 11800	84.1 18900	1400	12	6 0.236	0.113 0.249
370 3275	100 22500	140 31500	66.8 15000	43.8 9850	78.8 17700	1000	14	8 0.315	0.182 0.401
370 3275	100 22500	140 31500	75.8 17000	68.1 15300	122 27400	1000	14	8 0.315	0.182 0.401
610 5399	115 25900	175 39300	82.1 18500	76.6 17200	135 30300	840	17	8 0.315	0.244 0.539
610 5399	115 25900	175 39300	89.7 20200	107 24100	161 36200	840	17	8 0.315	0.245 0.540
1000 8851	167 37500	240 54000	124 27900	107 24100	193 43400	740	19	8 0.315	0.328 0.724
1000 8851	167 37500	240 54000	133 30000	142 31900	228 51300	740	19	8 0.315	0.329 0.725

**CAGED, WITHOUT INNER RING,  
NO END WASHERS,  
YOKE-TYPE (RSTO SERIES)  
METRIC SERIES**

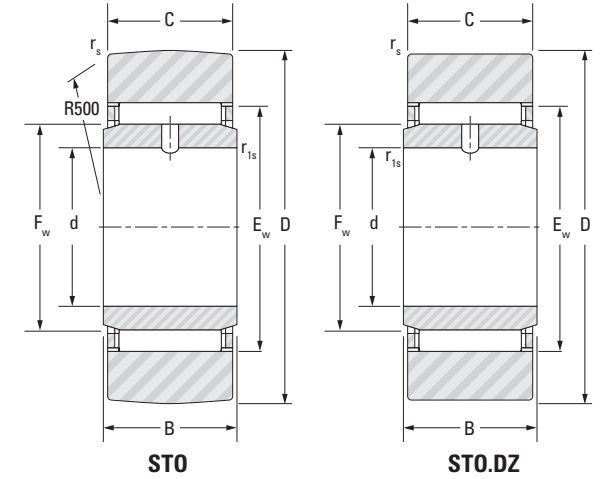


**RSTO**

**RSTO.DZ**

Outer Dia.	D	C	F <sub>w</sub>	E <sub>w</sub>	r <sub>s</sub> min	Bearing Designation		Load Ratings					Speed Rating Grease	Wt.
								As a Bearing		As a Track Roller				
						Crowned Track Roller	Cylindrical Track Roller	Dynamic	Static	Dynamic		Static		
								C	C <sub>0</sub>	C <sub>w</sub>	F <sub>r perm</sub>	F <sub>0r perm</sub>		
mm in	mm in	mm in	mm in	mm in	mm in			kN lbf		min <sup>-1</sup>	kg lbs			
16 0.6299	16 0.6299	7.8 0.307	7 0.2756	10 0.394	0.3 0.012	RSTO5A.TN	RSTO5ADZ.TN	2.74 616	2.44 549	2.49 560	2.97 668	2.44 549	19000	0.009 0.020
19 0.7480	19 0.7480	9.8 0.386	10 0.3937	13 0.512	0.3 0.012	RSTO6	RSTO6DZ	5.40 1210	6.43 1450	4.15 933	4.04 908	5.63 1270	13000	0.014 0.031
24 0.9449	24 0.9449	9.8 0.386	12 0.4724	15 0.591	0.3 0.012	RSTO8	RSTO8DZ	5.85 1320	7.51 1690	4.79 1080	6.67 1500	7.44 1670	10000	0.023 0.051
30 1.1811	30 1.1811	11.8 0.465	14 0.5512	20 0.787	0.3 0.012	RSTO10	RSTO10DZ	10.40 2340	10.6 2380	8.62 1940	7.69 1730	10.6 2380	9400	0.044 0.097
32 1.2598	32 1.2598	11.8 0.465	16 0.6299	22 0.866	0.3 0.012	RSTO12	RSTO12DZ	11.20 2520	11.9 2680	8.80 1980	7.65 1720	10.9 2450	8100	0.049 0.108
35 1.3780	35 1.3780	11.8 0.465	20 0.7874	26 1.024	0.3 0.012	RSTO15	RSTO15DZ	12.90 2900	15.3 3440	9.13 2050	6.95 1560	11.2 2520	6300	0.052 0.115
40 1.5748	40 1.5748	15.8 0.622	22 0.8661	29 1.142	0.3 0.012	RSTO17	RSTO17DZ	19.00 4270	23.3 5240	13.8 3100	11.4 2560	18.2 4090	5800	0.095 0.209
47 1.8504	47 1.8504	15.8 0.622	25 0.9843	32 1.260	0.3 0.012	RSTO20	RSTO20DZ	20.00 4500	25.3 5690	15.3 3440	16.5 3710	22.2 4990	5000	0.134 0.295
52 2.0472	52 2.0472	15.8 0.622	30 1.1811	37 1.457	0.3 0.012	RSTO25	RSTO25DZ	22.40 5040	31.0 6970	16.0 3600	16.9 3800	23.7 5330	4100	0.155 0.342
62 2.4409	62 2.4409	19.8 0.780	38 1.4961	46 1.811	0.6 0.024	RSTO30	RSTO30DZ	33.30 7490	51.0 11470	22.3 5010	23.2 5220	34.2 7690	3200	0.258 0.569
72 2.8346	72 2.8346	19.8 0.780	42 1.6535	50 1.969	0.6 0.024	RSTO35	RSTO35DZ	35.20 7910	56.6 12720	25.2 5670	33.3 7490	43.0 9670	2900	0.37 0.816
80 3.1496	80 3.1496	19.8 0.780	50 1.9685	58 2.283	0.6 0.024	RSTO40	RSTO40DZ	38.80 8720	67.8 15240	25.9 5820	34.7 7800	45.0 10120	2400	0.430 0.948
85 3.3465	85 3.3465	19.8 0.780	55 2.1654	63 2.480	0.6 0.024	RSTO45		40.30 9060	73.5 16520	26.0 5850	35.8 8050	45.5 10230	2200	0.447 0.985
90 3.5433	90 3.5433	19.8 0.780	60 2.3622	68 2.677	0.6 0.024	RSTO50		41.80 9400	79.2 17800	26.0 5850	37.1 8340	45.8 10300	2000	0.495 1.091

**CAGED, WITH INNER RING,  
NO END WASHERS  
YOKE-TYPE (STO SERIES)  
METRIC SERIES**

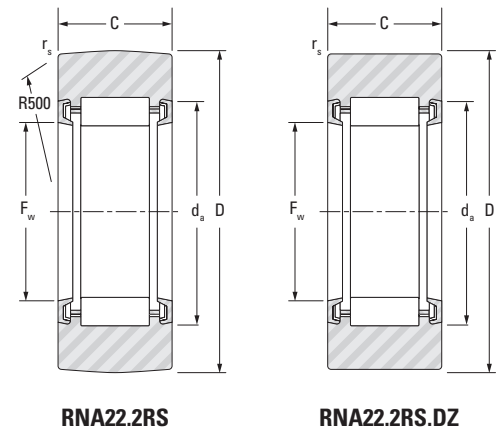


**STO**

**STO.DZ**

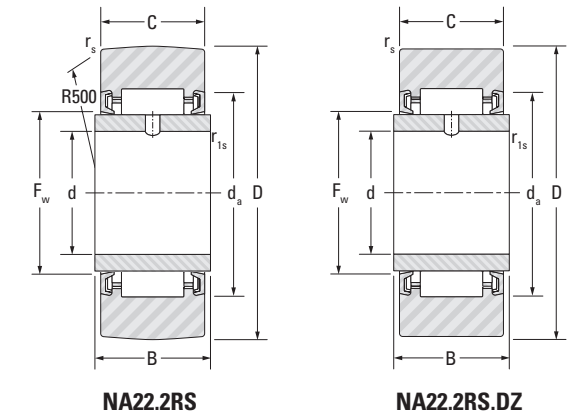
Outer Dia.	D	d	B	C	F <sub>w</sub>	E <sub>w</sub>	r <sub>s</sub>	r <sub>1s</sub> min	Bearing Designation		Load Ratings					Speed Rating Grease	Wt.
											As a Bearing		As a Track Roller				
									Crowned Track Roller	Cylindrical Track Roller	Dynamic	Static	Dynamic		Static		
											C	C <sub>0</sub>	C <sub>w</sub>	F <sub>r perm</sub>	F <sub>0r perm</sub>		
mm in	mm in	mm in	mm in	mm in	mm in	mm in	mm in	mm in			kN lbf		min <sup>-1</sup>	kg lbs			
19 0.7480	19 0.7480	6 0.2362	10 0.394	9.8 0.386	10 0.3937	13 0.5118	0.3 0.012	0.3 0.012	STO6	STO6DZ	5.40 1210	6.43 1450	4.15 933	4.04 908	5.63 1270	9400	0.018 0.040
24 0.9449	24 0.9449	8 0.3150	10 0.394	9.8 0.386	12 0.4724	15 0.5906	0.3 0.012	0.3 0.012	STO8	STO8DZ	5.85 1320	7.51 1690	4.79 1080	6.67 1500	7.44 1670	8100	0.028 0.062
30 1.1811	30 1.1811	10 0.3937	12 0.472	11.8 0.465	14 0.5512	20 0.7874	0.3 0.012	0.3 0.012	STO10	STO10DZ	10.4 2340	10.6 2380	8.62 1940	7.69 1730	10.6 2380	6300	0.065 0.143
32 1.2598	32 1.2598	12 0.4724	12 0.472	11.8 0.465	16 0.6299	22 0.8661	0.3 0.012	0.3 0.012	STO12	STO12DZ	11.2 2520	11.9 2680	8.80 1980	7.65 1720	10.9 2450	5800	0.114 0.251
35 1.3780	35 1.3780	15 0.5906	12 0.472	11.8 0.465	20 0.7874	26 1.0236	0.3 0.012	0.3 0.012	STO15	STO15DZ	12.9 2900	15.3 3440	9.13 2050	6.95 1560	11.2 2520	5000	0.065 0.143
40 1.5748	40 1.5748	17 0.6693	16 0.630	15.8 0.622	22 0.8661	29 1.1417	0.3 0.012	0.3 0.012	STO17	STO17DZ	19.1 4290	23.3 5240	13.8 3100	11.4 2560	18.2 4090	4100	0.114 0.251
47 1.8504	47 1.8504	20 0.7874	16 0.630	15.8 0.622	25 0.9843	32 1.2598	0.3 0.012	0.3 0.012	STO20	STO20DZ	19.8 4450	25.3 5690	15.3 3440	16.5 3710	22.2 4990	3200	0.160 0.353
52 2.0472	52 2.0472	25 0.9843	16 0.630	15.8 0.622	30 1.1811	37 1.4567	0.3 0.012	0.3 0.012	STO25	STO25DZ	22.4 5040	31.0 6970	16.0 3600	16.9 3800	23.7 5330	2900	0.435 0.959
62 2.4409	62 2.4409	30 1.1811	20 0.787	19.8 0.780	38 1.4961	46 1.8110	0.6 0.024	0.6 0.024	STO30	STO30DZ	33.3 7490	51.0 11470	22.3 5010	23.2 5220	34.2 7690	2400	0.325 0.717
72 2.8346	72 2.8346	35 1.3780	20 0.787	19.8 0.780	42 1.6535	50 1.9685	0.6 0.024	0.6 0.024	STO35	STO35DZ	35.2 7910	56.6 12720	25.2 5670	33.3 7490	43.0 9670	2200	0.435 0.959
80 3.1496	80 3.1496	40 1.5748	20 0.787	19.8 0.780	50 1.9685	58 2.2835	0.6 0.024	1.0 0.039	STO40	STO40DZ	38.8 8720	67.8 15240	25.9 5820	34.7 7800	45.0 10120	2400	0.540 1.190
85 3.3465	85 3.3465	45 1.7717	20 0.787	19.8 0.780	55 2.1654	63 2.4803	0.6 0.024	1.0 0.039	STO45	STO45DZ	40.3 9060	73.5 16520	26.0 5850	35.8 8050	45.5 10230	2200	0.580 1.279
90 3.5433	90 3.5433	50 1.9685	20 0.787	19.8 0.780	60 2.3622	68 2.6772	0.6 0.024	1.0 0.039	STO50	STO50DZ	41.8 9400	79.2 17800	26.0 5850	37.1 8340	45.8 10300	2000	0.650 1.433

**CAGED, WITHOUT INNER RING,  
NO END WASHERS, SEALED,  
YOKE-TYPE (RNA22 SERIES)  
METRIC SERIES**



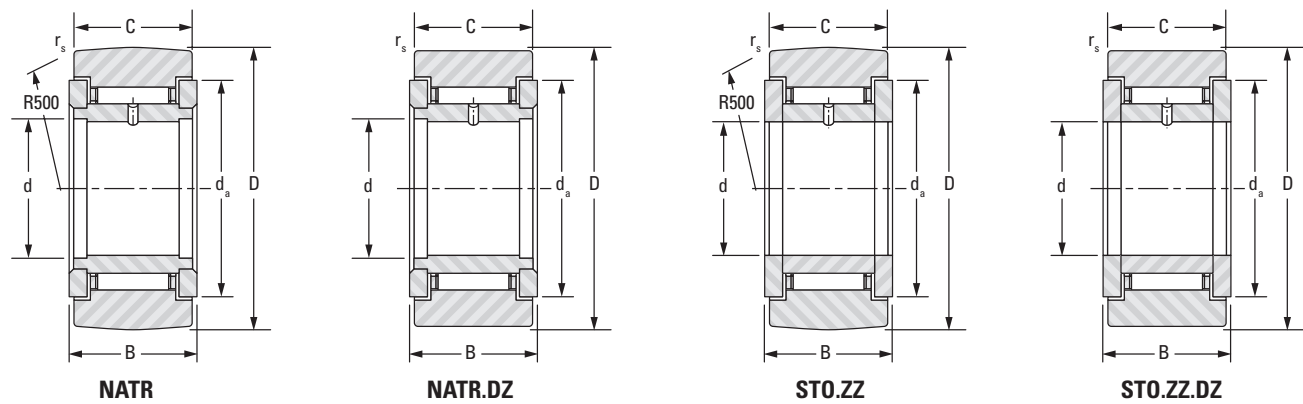
Outer Dia.	D	C	F <sub>w</sub>	d <sub>a</sub>	r <sub>s</sub> min	Bearing Designation		Load Ratings				Speed Rating Grease	Wt.	
								As a Bearing		As a Track Roller				
						Crowned Track Roller	Cylindrical Track Roller	Dynamic	Static	Dynamic	Static			Dynamic
mm in	mm in	mm in	mm in	mm in	mm in			C	C <sub>0</sub>	C <sub>w</sub>	F <sub>r perm</sub>	F <sub>0r perm</sub>	min <sup>-1</sup>	kg lbs
								kN lbf			kN lbf			
19 0.7480	19 0.7480	11.8 0.465	10 0.3937	14 0.551	0.3 0.012	RNA22/6.2RS	RNA22/6.2RS.DZ	4.70 1060	5.43 1220	4.13 928	3.06 688	4.59 1030	13000	0.014 0.031
24 0.9449	24 0.9449	11.8 0.465	12 0.4724	18 0.709	0.3 0.012	RNA22/8.2RS	RNA22/8.2RS.DZ	6.70 1510	6.08 1370	5.31 1190	3.37 758	5.22 1170	11000	0.025 0.055
30 1.1811	30 1.1811	13.8 0.543	14 0.5512	20 0.787	0.6 0.024	RNA2200.2RS	RNA2200.2RS.DZ	8.50 1910	9.45 2120	8.03 1810	7.85 1760	9.45 2120	9400	0.049 0.108
32 1.2598	32 1.2598	13.8 0.543	16 0.6299	22 0.866	0.6 0.024	RNA2201.2RS	RNA2201.2RS.DZ	9.00 2020	10.5 2360	8.2 1840	7.78 1750	10.1 2270	8100	0.053 0.117
35 1.3780	35 1.3780	13.8 0.543	20 0.7874	27 1.063	0.6 0.024	RNA2202.2RS	RNA2202.2RS.DZ	12.2 2740	14.5 3260	9.24 2080	6.00 1350	10.2 2290	6300	0.055 0.121
40 1.5748	40 1.5748	15.8 0.622	22 0.8661	30 1.181	1.0 0.039	RNA2203.2RS	RNA2203.2RS.DZ	16.3 3660	17.8 4000	11.9 2680	8.50 1910	13.7 3080	5900	0.090 0.198
47 1.8504	47 1.8504	17.8 0.701	25 0.9843	35 1.378	1.0 0.039	RNA2204.2RS	RNA2204.2RS.DZ	19.6 4410	20.2 4540	14.8 3330	11.0 2470	16.7 3750	5200	0.150 0.331
52 2.0472	52 2.0472	17.8 0.701	30 1.1811	40 1.575	1.0 0.039	RNA2205.2RS	RNA2205.2RS.DZ	21.6 4860	24.3 5460	15.5 3480	11.3 2540	17.7 3980	4300	0.171 0.377
62 2.4409	62 2.4409	19.8 0.780	35 1.3780	47 1.850	1.0 0.039	RNA2206.2RS	RNA2206.2RS.DZ	29.0 6520	32.8 7370	21.2 4770	15.8 3550	24.8 5580	3700	0.285 0.628
72 2.8346	72 2.8346	22.8 0.898	42 1.6535	54 2.126	1.1 0.043	RNA2207.2RS	RNA2207.2RS.DZ	40.5 9100	52.5 11800	28.6 6430	24.2 5440	37.9 8520	3000	0.490 1.080
80 3.1496	80 3.1496	22.8 0.898	48 1.8898	60 2.362	1.1 0.043	RNA2208.2RS	RNA2208.2RS.DZ	44.0 9890	60.0 13490	30.4 6830	27.8 6250	42.0 9440	2600	0.515 1.135
85 3.3465	85 3.3465	22.8 0.898	52 2.0472	64 2.520	1.1 0.043	RNA2209.2RS	RNA2209.2RS.DZ	45.6 10250	63.9 14370	30.9 6950	29.7 6680	43.7 9820	2400	0.565 1.246
90 3.5433	90 3.5433	22.8 0.898	58 2.2835	70 2.756	1.1 0.043	RNA2210.2RS	RNA2210.2RS.DZ	48.5 10900	71.3 16030	31.0 6970	29.4 6610	43.4 9760	2100	0.590 1.301

**CAGED, WITH INNER RING,  
NO END WASHERS, SEALED,  
YOKE-TYPE (NA22 SERIES)  
METRIC SERIES**



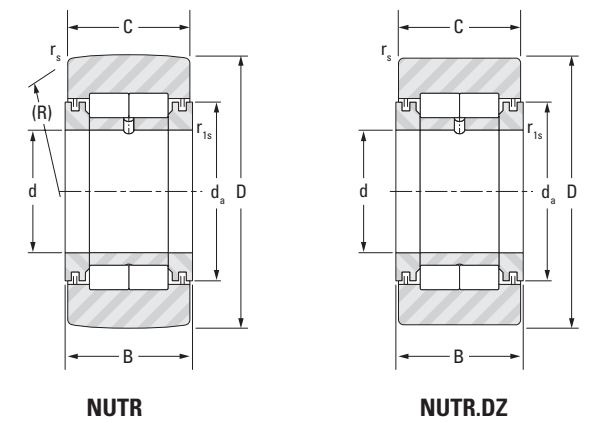
Outer Dia.	D	d	B	C	F <sub>w</sub>	d <sub>a</sub>	r <sub>s</sub>	r <sub>1s</sub> min	Bearing Designation		Load Ratings				Speed Rating Grease	Wt.	
											As a Bearing		As a Track Roller				
									Crowned Track Roller	Cylindrical Track Roller	Dynamic	Static	Dynamic	Static			Dynamic
mm in	mm in	mm in	mm in	mm in	mm in	mm in	mm in	mm in			C	C <sub>0</sub>	C <sub>w</sub>	F <sub>r perm</sub>	F <sub>0r perm</sub>	min <sup>-1</sup>	kg lbs
											kN lbf			kN lbf			
19 0.7480	19 0.7480	6 0.2362	12 0.472	11.8 0.465	10 0.3937	14 0.5512	0.3 0.012	0.3 0.012	NA22/6.2RS	NA22/6.2RS.DZ	4.70 1060	5.43 1220	4.13 928	3.06 688	4.59 1030	13000	0.018 0.040
24 0.9449	24 0.9449	8 0.3150	12 0.472	11.8 0.465	12 0.4724	18 0.7087	0.3 0.012	0.3 0.012	NA22/8.2RS	NA22/8.2RS.DZ	6.70 1510	6.08 1370	5.31 1190	3.37 758	5.22 1170	11000	0.031 0.068
30 1.1811	30 1.1811	10 0.3937	14 0.551	13.8 0.543	14 0.5512	20 0.7874	0.6 0.024	0.3 0.012	NA2200.2RS	NA2200.2RS.DZ	8.50 1910	9.45 2120	8.03 1810	7.85 1760	9.45 2120	9400	0.057 0.126
32 1.2598	32 1.2598	12 0.4724	14 0.551	13.8 0.543	16 0.6299	22 0.8661	0.6 0.024	0.3 0.012	NA2201.2RS	NA2201.2RS.DZ	9.00 2020	10.5 2360	8.2 1840	7.78 1750	10.1 2270	8100	0.063 0.139
35 1.3780	35 1.3780	15 0.5906	14 0.551	13.8 0.543	20 0.7874	27 1.0630	0.6 0.024	0.3 0.012	NA2202.2RS	NA2202.2RS.DZ	12.2 2740	14.5 3260	9.24 2080	6.00 1350	10.2 2290	6300	0.070 0.154
40 1.5748	40 1.5748	17 0.6693	16 0.630	15.8 0.622	22 0.8661	30 1.1811	1.0 0.039	0.3 0.012	NA2203.2RS	NA2203.2RS.DZ	16.3 3660	17.8 4000	11.9 2680	8.50 1910	13.7 3080	5900	0.107 0.236
47 1.8504	47 1.8504	20 0.7874	18 0.709	17.8 0.701	25 0.9843	35 1.3780	1.0 0.039	0.3 0.012	NA2204.2RS	NA2204.2RS.DZ	19.6 4410	20.2 4540	14.8 3330	11.0 2470	16.7 3750	5200	0.175 0.386
52 2.0472	52 2.0472	25 0.9843	18 0.709	17.8 0.701	30 1.1811	40 1.5748	1.0 0.039	0.3 0.012	NA2205.2RS	NA2205.2RS.DZ	21.6 4860	24.3 5460	15.5 3480	11.3 2540	17.7 3980	4300	0.202 0.445
62 2.4409	62 2.4409	30 1.1811	20 0.787	19.8 0.780	35 1.3780	47 1.8504	1.0 0.039	0.3 0.012	NA2206.2RS	NA2206.2RS.DZ	29.0 6520	32.8 7370	21.2 4770	15.8 3550	24.8 5580	3700	0.324 0.714
72 2.8346	72 2.8346	35 1.3780	23 0.906	22.8 0.898	42 1.6535	54 2.1260	1.1 0.043	0.6 0.024	NA2207.2RS	NA2207.2RS.DZ	40.5 9100	52.5 11800	28.6 6430	24.2 5440	37.9 8520	3000	0.490 1.080
80 3.1496	80 3.1496	40 1.5748	23 0.906	22.8 0.898	48 1.8898	60 2.3622	1.1 0.043	0.6 0.024	NA2208.2RS	NA2208.2RS.DZ	44.0 9890	60.0 13500	30.4 6830	27.8 6250	42.0 9440	2600	0.615 1.356
85 3.3465	85 3.3465	45 1.7717	23 0.906	22.8 0.898	52 2.0472	64 2.5197	1.1 0.043	0.6 0.024	NA2209.2RS	NA2209.2RS.DZ	45.0 10100	63.9 14400	30.9 6950	29.7 6680	43.7 9820	2400	0.661 1.457
90 3.5433	90 3.5433	50 1.9685	23 0.906	22.8 0.898	58 2.2835	70 2.7559	1.1 0.043	0.6 0.024	NA2210.2RS	NA2210.2RS.DZ	48.0 10800	71.3 16000	31.0 6970	29.4 6610	43.4 9760	2100	0.712 1.570

**CAGED, WITH INNER RING, WITH END WASHERS, YOKE-TYPE (NATR, STO...ZZ SERIES)  
METRIC SERIES**



Outer Dia. mm in	D mm in	d mm in	B mm in	C mm in	da mm in	rs min mm in	Bearing Designation		Load Ratings					Speed Rating Grease min <sup>-1</sup>	Wt. kg lbs
							Crowned Track Roller	Cylindrical Track Roller	As a Bearing		As a Track Roller				
									Dynamic C	Static Co	Dynamic Cw	Static Fr perm	Static F0r perm		
							mm in	mm in	mm in	mm in	mm in	mm in	mm in		
16 0.6299	16 0.6299	5 0.1969	12 0.472	11.0 0.433	13 0.512	0.3 0.012	NATR5	NATR5DZ	4.62 1040	5.19 1170	3.34 751	2.62 589	4.01 901	13000	0.017 0.037
19 0.7480	19 0.7480	6 0.2362	12 0.472	11.0 0.433	16 0.630	0.3 0.012	NATR6	NATR6DZ	4.84 1090	5.66 1270	3.84 863	4.28 962	5.28 1190	12000	0.022 0.049
19 0.7480	19 0.7480	6 0.2362	14 0.551	13.8 0.543	15 0.591	0.3 0.012	STO6ZZ	STO6ZZ.DZ	5.37 1210	6.47 1450	4.31 969	5.23 1180	6.17 1390	12000	0.024 0.053
24 0.9449	24 0.9449	8 0.3150	14 0.551	13.8 0.543	18 0.709	0.3 0.012	STO8ZZ	STO8ZZ.DZ	5.82 1310	7.54 1700	4.97 1120	7.54 1700	8.14 1830	9900	0.040 0.088
24 0.9449	24 0.9449	8 0.3150	15 0.591	14.0 0.551	20 0.787	0.3 0.012	NATR8	NATR8DZ	8.39 1890	8.67 1950	6.66 1500	5.79 1300	8.08 1820	10000	0.043 0.095
30 1.1811	30 1.1811	10 0.3937	15 0.591	14.0 0.551	24 0.945	0.6 0.024	NATR10	NATR10DZ	9.57 2150	9.45 2120	8.15 1830	8.58 1930	10.1 2270	9400	0.068 0.150
30 1.1811	30 1.1811	10 0.3937	16 0.630	15.8 0.622	23 0.906	0.3 0.012	STO10ZZ	STO10ZZ.DZ	10.4 2340	10.6 2380	8.94 2010	9.64 2170	11.4 2560	9400	0.071 0.157
32 1.2598	32 1.2598	12 0.4724	15 0.591	14.0 0.551	26 1.024	0.6 0.024	NATR12	NATR12DZ	10.2 2290	10.5 2360	8.32 1870	8.50 1910	10.4 2340	8100	0.075 0.165
32 1.2598	32 1.2598	12 0.4724	16 0.630	15.8 0.622	25 0.984	0.3 0.012	STO12ZZ	STO12ZZ.DZ	11.2 2520	11.9 2680	9.13 2050	9.54 2140	11.7 2630	8100	0.078 0.172
35 1.3780	35 1.3780	15 0.5906	16 0.630	15.8 0.622	30 1.181	0.3 0.012	STO15ZZ	STO15ZZ.DZ	12.9 2900	15.3 3440	9.47 2130	8.52 1920	12.1 2720	6300	0.089 0.196
40 1.5748	40 1.5748	17 0.6693	20 0.787	19.8 0.780	33 1.299	0.3 0.012	STO17ZZ	STO17ZZ.DZ	19.0 4270	23.3 5240	14.2 3190	13.4 3010	19.3 4340	5600	0.145 0.320
47 1.8504	47 1.8504	20 0.7874	20 0.787	19.8 0.780	37 1.457	0.3 0.012	STO20ZZ	STO20ZZ.DZ	20.0 4500	25.4 5710	15.7 3530	19.5 4380	23.5 5280	4900	0.200 0.441
52 2.0472	52 2.0472	25 0.9843	20 0.787	19.8 0.780	42 1.654	0.3 0.012	STO25ZZ	STO25ZZ.DZ	22.4 5040	31.1 6990	16.4 3690	19.8 4450	25.1 5640	4100	0.240 0.529
62 2.4409	62 2.4409	30 1.1811	25 0.984	24.8 0.976	52 2.047	0.6 0.024	STO30ZZ	STO30ZZ.DZ	33.3 7490	51.0 11500	23.0 5170	26.9 6050	36.2 8140	3200	0.412 0.908
72 2.8346	72 2.8346	35 1.3780	25 0.984	24.8 0.976	56 2.205	0.6 0.024	STO35ZZ	STO35ZZ.DZ	35.2 7910	56.6 12700	25.9 5820	39.2 8810	45.5 10200	2900	0.555 1.224
80 3.1496	80 3.1496	40 1.5748	26 1.024	25.8 1.016	64 2.520	0.6 0.024	STO40ZZ	STO40ZZ.DZ	38.8 8720	67.8 15200	26.8 6020	41.5 9330	48.1 10800	2400	0.700 1.543
85 3.3465	85 3.3465	45 1.7717	26 1.024	25.8 1.016	69 2.717	0.6 0.024	STO45ZZ	STO45ZZ.DZ	40.3 9060	73.5 16500	26.9 6050	42.4 9530	48.6 10900	2200	0.770 1.698

**FULL COMPLEMENT,  
WITH INNER RING,  
CYLINDRICAL ROLLERS,  
YOKE-TYPE (NUTR SERIES)  
METRIC SERIES**

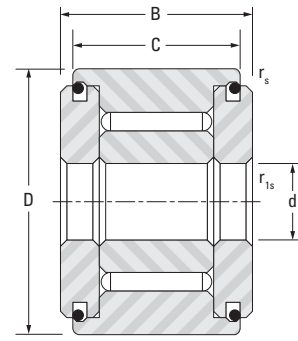


Outer Dia. mm in	D mm in	d mm in	B mm in	C mm in	da mm in	rs mm in	r1s min mm in	Bearing Designation		Load Ratings					Speed Rating Grease min <sup>-1</sup>	Wt. kg lbs
								Crowned Track Roller	Cylindrical Track Roller	As a Bearing		As a Track Roller				
										Dynamic C	Static Co	Dynamic Cw	Static Fr perm	Static F0r perm		
								mm in	mm in	mm in	mm in	mm in	mm in	mm in		
35 1.3780	35 1.3780	15 0.5906	19 0.748	18 0.709	24 0.945	0.6 0.024	0.3 0.012	NUTR15	NUTR15DZ	24.7 5550	29.3 6590	16.2 3640	10.1 2270	16.1 3620	6100	0.105 0.231
40 1.5748	40 1.5748	17 0.6693	21 0.827	20 0.787	27 1.063	1.0 0.039	0.3 0.012	NUTR17	NUTR17DZ	26.6 5980	33.4 7510	18.7 4200	15.0 3370	23.9 5370	5300	0.154 0.340
42 1.6535	42 1.6535	15 0.5906	19 0.748	18 0.709	24 0.945	0.6 0.024	0.3 0.012	NUTR1542	NUTR1542DZ	22.8 5130	29.4 6610	20.0 4500	21.2 4770	28.4 6380	6100	0.166 0.366
47 1.8504	47 1.8504	17 0.6693	21 0.827	20 0.787	27 1.063	1.0 0.039	0.3 0.012	NUTR1747	NUTR1747DZ	24.5 5510	33.3 7490	22.0 4950	28.1 6320	33.6 7550	5300	0.230 0.507
47 1.8504	47 1.8504	20 0.7874	25 0.984	24 0.945	32 1.260	1.0 0.039	0.3 0.012	NUTR20	NUTR20DZ	39.0 8770	53.2 12000	28.1 6320	20.5 4610	32.7 7350	4500	0.254 0.560
52 2.0472	52 2.0472	20 0.7874	25 0.984	24 0.945	32 1.260	1.0 0.039	0.3 0.012	NUTR2052	NUTR2052DZ	39.0 8770	53.2 12000	31.6 7100	31.0 6970	45.9 10300	4500	0.326 0.719
52 2.0472	52 2.0472	25 0.9843	25 0.984	24 0.945	37 1.457	1.0 0.039	0.3 0.012	NUTR25	NUTR25DZ	43.0 9670	63.1 14200	29.6 6650	22.2 4990	35.4 7960	3700	0.291 0.642
62 2.4409	62 2.4409	25 0.9843	25 0.984	24 0.945	37 1.457	1.0 0.039	0.3 0.012	NUTR2562	NUTR2562DZ	43.0 9670	63.1 14200	36.0 8090	43.9 9870	57.8 13000	3700	0.460 1.014
62 2.4409	62 2.4409	30 1.1811	29 1.142	28 1.102	44 1.732	1.0 0.039	0.3 0.012	NUTR30	NUTR30DZ	60.0 13500	83.1 18700	40.8 9170	29.0 6520	46.2 10400	3200	0.480 1.058
72 2.8346	72 2.8346	30 1.1811	29 1.142	28 1.102	44 1.732	1.0 0.039	0.3 0.012	NUTR3072	NUTR3072DZ	60.0 13500	83.1 18700	48.6 10900	53.2 12000	74.2 16700	3200	0.711 1.567
72 2.8346	72 2.8346	35 1.3780	29 1.142	28 1.102	50 1.969	1.1 0.043	0.6 0.024	NUTR35	NUTR35DZ	65.5 14700	97.8 22000	45.9 10300	38.7 8700	61.7 13900	2600	0.655 1.444
80 3.1496	80 3.1496	35 1.3780	29 1.142	28 1.102	50 1.969	1.1 0.043	0.6 0.024	NUTR3580	NUTR3580DZ	65.5 14700	97.8 22000	51.7 11600	58.7 13200	81.9 18400	2600	0.865 1.907
80 3.1496	80 3.1496	40 1.5748	32 1.260	30 1.181	55 2.165	1.1 0.043	0.6 0.024	NUTR40	NUTR40DZ	88.0 19800	132 29700	60.6 13600	48.0 10800	76.5 17200	2500	0.848 1.870
85 3.3465	85 3.3465	45 1.7717	32 1.260	30 1.181	60 2.362	1.1 0.043	0.6 0.024	NUTR45	NUTR45DZ	93.0 20900	146 32800	62.0 13900	50.2 11300	80.0 18000	2200	0.917 2.022
90 3.5433	90 3.5433	40 1.5748	32 1.260	30 1.181	55 2.165	1.1 0.043	0.6 0.024	NUTR4090	NUTR4090DZ	88.0 19800	132 29700	69.1 15500	75.4 17000	111 25000	2500	1.162 2.562
90 3.5433	90 3.5433	50 1.9685	32 1.260	30 1.181	65 2.559	1.1 0.043	0.6 0.024	NUTR50	NUTR50DZ	98.0 22000	160 36000	63.3 14200	52.9 11900	84.3 19000	2000	0.988 2.178
100 3.9370	100 3.9370	45 1.7717	32 1.260	30 1.181	60 2.362	1.1 0.043	0.6 0.024	NUTR45100	NUTR45100DZ	93.0 20900	146 32800	74.3 16700	92.2 20700	127 28600	2200	1.412 3.113
110 4.3307	110 4.3307	50 1.9685	32 1.260	30 1.181	65 2.559	1.1 0.043	0.6 0.024	NUTR50110	NUTR50110DZ	98.0 22000	160 36000	79.0 17800	110 24700	141 31700	2000	1.727 3.807



**FULL COMPLEMENT, NON-SEPARABLE,  
SMALL SERIES, UNSEALED,  
YOKE-TYPE (FP SERIES)  
METRIC SERIES**

FP: crowned outer ring  
FPL: cylindrical outer ring

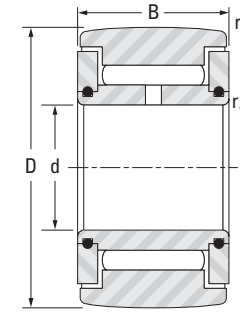


FP, FPL

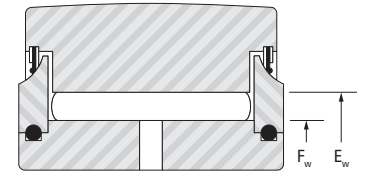
Outer Dia.	D	d	C	B	r <sub>s</sub> min	r <sub>1s</sub> min	Designation		Load Ratings					Speed Rating Grease	Wt.
							Crowned Track Roller	Cylindrical Track Roller	As a Bearing		As a Track Roller				
									Dynamic	Static	Dynamic		Static		
									C	C <sub>0</sub>	C <sub>w</sub>	F <sub>r perm</sub>	F <sub>Dr perm</sub>		
mm in	mm in	mm in	mm in	mm in	mm in	mm in			kN lbf		kN lbf		min <sup>-1</sup>	kg lbs	
10 0.3937	10 0.3937	3 0.1181	8 0.315	8.7 0.343	0.2 0.008	0.15 0.006	FP 3 10	FPL 3 10	2.8 629	3.09 695	2.12 432	1.43 227	2.58 409	8500	0.004 0.009
11 0.4331	11 0.4331	3 0.1181	8 0.315	8.7 0.343	0.2 0.008	0.15 0.006	FP 3 11	FPL 3 11	2.8 629	3.09 695	2.12 477	1.43 321	2.58 580	8500	0.005 0.011
12 0.4724	12 0.4724	4 0.1575	9 0.354	9.7 0.382	0.2 0.008	0.15 0.006	FP 4 12	FPL 4 12	3.74 841	4.74 1070	2.54 571	1.63 366	2.94 661	6600	0.006 0.013
13 0.5118	13 0.5118	4 0.1575	9 0.354	9.7 0.382	0.2 0.008	0.15 0.006	FP 4 13	FPL 4 13	3.74 841	4.74 1070	2.16 486	2.75 618	3.89 874	6600	0.008 0.018
14 0.5512	14 0.5512	4 0.1575	9 0.354	10.2 0.402	0.3 0.012	0.15 0.006	FP 4 14	FLP 4 14	4.05 910	5.44 1220	2.86 643	2.26 508	4.07 915	5700	0.010 0.022
15 0.5906	15 0.5906	4 0.1575	9 0.354	10.2 0.402	0.3 0.012	0.15 0.006	FP 4 15	FLP 4 15	4.05 910	5.44 1220	3.04 683	2.83 636	4.65 1040	5700	0.011 0.024

**FULL COMPLEMENT,  
NON-SEPARABLE,  
SEALED OR UNSEALED,  
YOKE-TYPE (FG SERIES)  
METRIC SERIES**

FG: crowned outer ring  
FGL: cylindrical outer ring  
EE: polymer shields  
EEM: metal shields



FG, FGL



FG..EE, FG..EEM  
FGL..EE, FGL..EEM

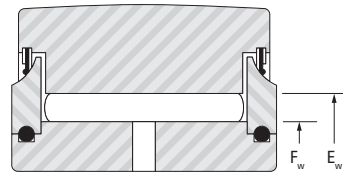
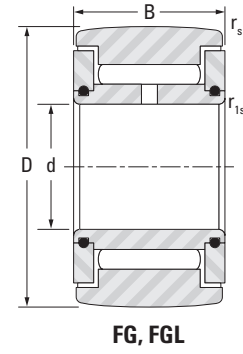
Outer Dia.	D	d	B	F <sub>w</sub>	E <sub>w</sub>	r <sub>s</sub> min	r <sub>1s</sub> min	Designation		Load Ratings					Speed Rating Grease	Wt.
								Crowned Track Roller	Cylindrical Track Roller	As a Bearing		As a Track Roller				
										Dynamic	Static	Dynamic		Static		
										C	C <sub>0</sub>	C <sub>w</sub>	F <sub>r perm</sub>	F <sub>Dr perm</sub>		
mm in	mm in	mm in	mm in	mm in	mm in	mm in	mm in			kN lbf		kN lbf			min <sup>-1</sup>	kg lbs
16 0.6299	16 0.6299	5 0.1969	12 0.472	7.7 0.3031	10.7 0.4213	0.3 0.012	0.3 0.012	FG 5 16	FGL 5 16	5.66 1270	6.51 1460	4.19 942	2.79 627	5.02 1130	5700	0.016 0.035
19 0.7480	19 0.7480	6 0.2362	12 0.472	9.7 0.3819	12.7 0.5000	0.3 0.012	0.3 0.012	FG 6 19	FGL 6 19	6.44 1450	8.15 1830	4.65 1050	3.49 785	6.28 1410	4400	0.019 0.042
24 0.9449	24 0.9449	8 0.3150	13 0.512	12.0 0.4724	15.0 0.5906	0.3 0.012	0.3 0.012	FG 8 24	FGL 8 24	7.3 1640	10.2 2290	5.45 1230	5.42 1220	8.63 1940	3500	0.037 0.082
	24 0.9449	8 0.3150	15 0.591	12.0 0.4724	15.0 0.5906	0.3 0.012	0.3 0.012	FG 8 24 15	FGL 8 24 15	9.08 2040	13.5 3030	6.76 1520	7.05 1580	11.4 2560	3500	0.044 0.097
30 1.1811	30 1.1811	10 0.3937	15 0.591	15.2 0.5984	20.2 0.7953	0.6 0.024	0.3 0.012	FG 10 30	FGL 10 30	14.2 3190	18.3 4110	10.3 2320	7.67 1720	13.8 3100	2900	0.066 0.146
32 1.2598	32 1.2598	12 0.4724	15 0.591	17.6 0.6929	22.6 0.8898	0.6 0.024	0.3 0.012	FG 12 32	FGL 12 32	15.5 3480	21.2 4770	10.5 2360	7.52 1690	13.5 3030	2400	0.077 0.170
35 1.3780	35 1.3780	15 0.5906	19 0.748	20.1 0.7929	25.2 0.9921	0.6 0.024	0.3 0.012	FG 15 35	FGL 15 35	22.5 5060	35.4 7960	14.6 3280	11.6 2610	20.9 4700	2100	0.103 0.227
40 1.5748	40 1.5748	17 0.6693	21 0.827	24.0 0.9449	30.0 1.1811	0.6 0.024	0.3 0.012	FG 17 40	FGL 17 40	29.9 6720	48.0 10800	18.5 4160	13.8 3100	24.8 5580	1800	0.155 0.342
47 1.8504	47 1.8504	20 0.7874	25 0.984	28.7 1.1299	34.7 1.3661	1.0 0.039	0.3 0.012	FG 20 47	FGL 20 47	36.5 8210	65.5 14700	22.5 5060	20.2 4540	36.4 8180	1400	0.295 0.650
52 2.0472	52 2.0472	25 0.9843	25 0.984	33.5 1.3189	39.5 1.5551	1.0 0.039	0.3 0.012	FG 25 52	FGL 25 52	39.7 8920	76.4 17200	23.1 5190	22.6 5080	40.3 9060	1200	0.310 0.683
62 2.4409	62 2.4409	30 1.1811	29 1.142	38.2 1.5039	44.2 1.7402	1.0 0.039	0.3 0.012	FG 30 62	FGL 30 62	46.5 10500	97.9 22000	28.9 6500	35.5 7980	58.2 13100	1100	0.490 1.080
72 2.8346	72 2.8346	35 1.3780	29 1.142	44.0 1.7323	50.0 1.9685	1.0 0.039	0.6 0.024	FG 35 72	FGL 35 72	50.0 11200	113 25400	31.4 7060	45.6 10300	68.4 15400	920	0.670 1.477
80 3.1496	80 3.1496	40 1.5748	32 1.260	49.7 1.9567	55.7 2.1929	1.0 0.039	0.6 0.024	FG 40 80	FGL 40 80	62.1 14000	155 38400	38.3 8610	63.7 14300	90.6 20400	810	0.890 1.962
85 3.3465	85 3.3465	45 1.7717	32 1.260	55.4 2.1811	61.4 2.4173	1.0 0.039	0.6 0.024	FG 45 85 EE	FGL 45 85	65.7 14800	173 38900	38.4 8630	67.2 15100	91.1 20500	720	0.970 2.138
90 3.5433	90 3.5433	50 1.9685	32 1.260	62.1 2.4449	68.1 2.6811	1.0 0.039	0.6 0.024	FG 50 90	FGL 50 90	69.7 15700	194 43600	37.8 8500	74.3 16700	88.7 19900	640	1.04 2.293
100 3.9370	100 3.9370	55 2.1654	36 1.417	70.0 2.7559	77.0 3.0315	1.5 0.059	0.6 0.024	FG 55 100	FGL 55 100	85.0 19100	233 52400	45.2 10200	87.9 19800	103 23200	570	1.35 2.976
110 4.3307	110 4.3307	60 2.3622	36 1.417	75.0 2.9528	82.0 3.2283	1.5 0.059	0.6 0.024	FG 60 110		88.6 19900	251 56400	48.9 11000	99.6 22400	119 26800	530	1.65 3.638
120 4.7244	120 4.7244	65 2.5591	42 1.654	80.0 3.1496	87.0 3.4252	1.5 0.059	0.6 0.024	FG 65 120	FGL 65 120	103 23200	310 69700	58.1 13100	131 29400	154 34600	490	2.35 5.181
125 4.9213	125 4.9213	70 2.7559	42 1.654	85.0 3.3465	92.0 3.6220	1.5 0.059	0.6 0.024	FG 70 125	FGL 70 125	106 23800	332 74600	58.7 13200	142 31900	157 35300	460	2.50 5.512

Continued on next page.

**FULL COMPLEMENT,  
NON-SEPARABLE,  
SEALED OR UNSEALED,  
YOKE-TYPE (FG SERIES)**

**METRIC SERIES**

FG: crowned outer ring  
FGL: cylindrical outer ring  
EE: polymer shields  
EEM: metal shields



**FG..EE, FG..EEM  
FGL..EE, FGL..EEM**

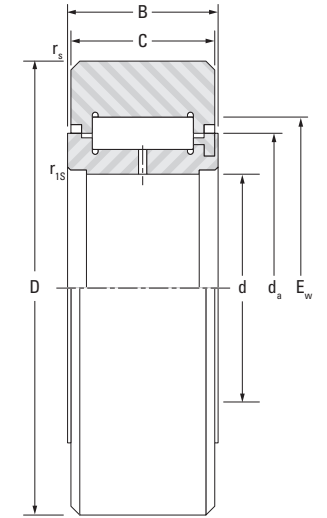
**FG, FGL**

Outer Dia.	D	d	B	F <sub>w</sub>	E <sub>w</sub>	r <sub>s</sub> min	r <sub>1s</sub> min	Designation		Load Ratings					Speed Rating Grease	Wt.
								Crowned Track Roller	Cylindrical Track Roller	As a Bearing		As a Track Roller				
										C	C <sub>0</sub>	C <sub>w</sub>	F <sub>r perm</sub>	F <sub>0r perm</sub>		
mm in	mm in	mm in	mm in	mm in	mm in	mm in	mm in			kN lbf	kN lbf	min <sup>-1</sup>	kg lbs			
130 5.1181	130 5.1181	75 2.9528	42 1.654	90.0 3.5433	97.0 3.8189	1.5 0.059	0.6 0.024	FG 75 130		110 24700	354 79600	59.2 13300	155 34800	159 35700	440	2.65 5.842
140 5.5118	140 5.5118	80 3.1496	48 1.890	100.0 3.9370	108.0 4.2520	2.0 0.079	1.0 0.039	FG 80 140	FGL 80 140	140 31500	455 102000	72.4 16360	202 45400	189 42500	390	3.40 7.496
150 5.9055	150 5.9055	85 3.3465	48 1.890	107.0 4.2126	115.0 4.5276	2.0 0.079	1.0 0.039	FG 85 150		146 32800	490 110000	75.3 16900	227 51000	203 45600	370	4.00 8.818
160 6.2992	160 6.2992	90 3.5433	54 2.126	115.0 4.5276	123.0 4.8425	2.0 0.079	1.0 0.039	FG 90 160		168 37800	603 136000	85.7 19300	299 67200	244 54900	340	5.30 11.7
170 6.6929	170 6.6929	95 3.7402	54 2.126	120.0 4.7244	128.0 5.0394	2.0 0.079	1.0 0.039	FG 95 170		172 38700	629 141000	89.8 20200	308 69200	267 60000	330	6.00 13.2
180 7.0866	180 7.0866	100 3.9370	65 2.559	126.0 4.9606	136.0 5.3543	2.0 0.079	1.5 0.059	FG 100 180		238 53500	828 186000	126 28300	358 80500	363 81600	310	8.05 17.8
200 7.8740	200 7.8740	110 4.3307	65 2.559	140.0 5.5118	150.0 5.9055	2.0 0.079	1.5 0.059	FG 110 200		252 56700	922 207000	133 29900	427 96000	401 90100	280	10.00 22.0
215 8.4646	215 8.4646	120 4.7244	65 2.559	150.0 5.9055	160.0 6.2992	2.0 0.079	1.5 0.059	FG 120 215		261 58700	985 221000	138 31000	476 107000	430 96700	260	11.50 25.3
270 10.6299	270 10.6299	150 5.9055	78 3.071	186.0 7.3228	198.0 7.7953	3.0 0.118	1.5 0.059	FG 150 270		372 83600	1470 330000	200 456000	721 162000	658 148000	210	22.00 48.5

**FULL COMPLEMENT, NON-SEPARABLE,  
LIGHT SERIES, WITH METAL SEALS  
YOKE-TYPE (FGU...MM SERIES)**

**METRIC SERIES**

FGU: crowned outer ring  
FGUL: cylindrical outer ring



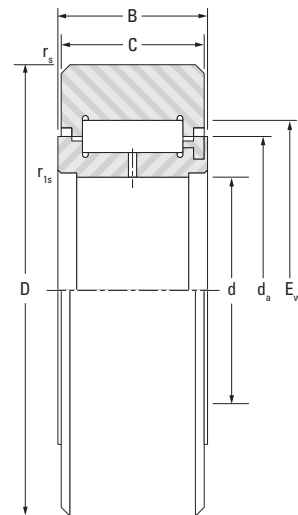
**FGU, FGUL**

Outer Dia.	D	d	C	B	d <sub>a</sub>	E <sub>w</sub>	r <sub>s</sub> min	r <sub>1s</sub> min	Designation		Load Ratings			Speed Rating Grease	Wt.
									Crowned Track Roller	Cylindrical Track Roller	Dynamic				
											C	F <sub>r perm</sub>	F <sub>0r perm</sub>		
mm in	mm in	mm in	mm in	mm in	mm in	mm in	mm in	mm in			kN lbf	min <sup>-1</sup>	kg lbs		
35 1.3780	35 1.3780	15 0.5906	18 0.709	19 0.748	20.4 0.8031	28.4 1.1181	0.6 0.024	0.3 0.012	FGU 15 35		7.80 1750	17.0 3820	17.0 3820	5700	0.096 0.212
35 1.3780	35 1.3780	15 0.5906	18 0.709	19 0.748	20.4 0.8031	28.4 1.1181	0.6 0.024	0.3 0.012	FGU 15 35 MM	FGUL 15 35 MM	7.80 1750	17.0 3820	17.0 3820	5700	0.096 0.212
40 1.5748	40 1.5748	17 0.6693	20 0.787	21 0.827	23.0 0.9055	31.0 1.2205	0.6 0.024	0.3 0.012	FGU 17 40 MM		11.5 2590	20.0 4500	21.5 4830	5200	0.142 0.313
47 1.8504	47 1.8504	20 0.7874	24 0.945	25 0.984	27.1 1.0669	37.1 1.4606	1.0 0.039	0.3 0.012	FGU 20 47 MM	FGUL 20 47 MM	15.5 3480	29.5 6630	32.3 7260	4400	0.235 0.518
52 2.0472	52 2.0472	25 0.9843	24 0.945	25 0.984	31.8 1.2520	41.8 1.6457	1.0 0.039	0.3 0.012	FGU 25 52		17.3 3890	31.5 7080	36.0 8090	3800	0.268 0.591
52 2.0472	52 2.0472	25 0.9843	24 0.945	25 0.984	31.8 1.2520	41.8 1.6457	1.0 0.039	0.3 0.012	FGU 25 52 MM	FGUL 25 52 MM	17.3 3890	31.5 7080	36.0 8090	3800	0.268 0.591
62 2.4409	62 2.4409	30 1.1811	28 1.102	29 1.142	38.2 1.5039	50.2 1.9764	1.0 0.039	0.3 0.012	FGU 30 62 MM		24.5 5510	44.5 10000	54.00 12100	3200	0.454 1.001
72 2.8346	72 2.8346	35 1.3780	28 1.102	29 1.142	45.9 1.8071	57.9 2.2795	1.0 0.039	0.6 0.024	FGU 35 72 MM	FGUL 35 72 MM	31.3 7040	50.0 11200	66.0 14800	2700	0.611 1.347
80 3.1496	80 3.1496	40 1.5748	30 1.181	32 1.260	51.6 2.0315	63.6 2.5039	1.0 0.039	0.6 0.024	FGU 40 80		40.6 9130	59.0 13300	84.0 18900	2400	0.822 1.812
80 3.1496	80 3.1496	40 1.5748	30 1.181	32 1.260	51.6 2.0315	63.6 2.5039	1.0 0.039	0.6 0.024	FGU 40 80 MM	FGUL 40 80 MM	40.6 9130	59.0 13300	84.0 18900	2400	0.822 1.812
110 4.3307	110 4.3307	60 2.3622	34 1.339	36 1.417	71.2 2.8031	87.2 3.4331	1.5 0.059	0.6 0.024	FGU 60 110 MM		64.0 14400	88.0 19800	129 29000	1800	1.625 3.583
120 4.7244	120 4.7244	65 2.5591	40 1.575	42 1.654	76.4 3.0079	92.4 3.6378	1.5 0.059	0.6 0.024	FGU 65 120		89.0 20000	110 24700	174 39100	1700	2.300 5.071
120 4.7244	120 4.7244	65 2.5591	40 1.575	42 1.654	76.4 3.0079	92.4 3.6378	1.5 0.059	0.6 0.024	FGU 65 120 MM		89.0 20000	110 24700	174 39100	1700	2.300 5.071
125 4.9213	125 4.9213	70 2.7559	40 1.575	42 1.654	81.5 3.2087	97.5 3.8386	1.5 0.059	0.6 0.024	FGU 70 125 MM		93.0 20900	110 24700	180 40500	1600	2.070 4.564
140 5.5118	140 5.5118	80 3.1496	46 1.811	48 1.890	91.7 3.6102	107.7 4.2402	2.0 0.079	1.0 0.039	FGU 80 140 MM		130 29200	138 31000	250 56200	1400	3.450 7.606
160 6.2992	160 6.2992	90 3.5433	52 2.047	54 2.126	101.8 4.0079	121.8 4.7953	2.0 0.079	1.0 0.039	FGU 90 160 MM		166 37300	188 42300	327 73500	1300	5.185 11.431
170 6.6929	170 6.6929	95 3.7402	52 2.047	54 2.126	108.2 4.2598	128.2 5.0472	2.0 0.079	1.0 0.039	FGU 95 170 MM		184 41400	198 44500	356 80000	1200	5.925 13.062
200 7.8740	200 7.8740	110 4.3307	63 2.480	65 2.559	124.1 4.8858	144.1 5.6732	2.0 0.079	1.5 0.059	FGU 110 200 MM		310 69700	280 62900	590 132600	1100	10.200 22.487
215 8.4646	215 8.4646	120 4.7244	63 2.480	65 2.559	133.6 5.2598	157.6 6.2047	2.0 0.079	1.5 0.059	FGU 120 215		310 69700	310 69700	600 134900	960	11.560 25.485

**FULL COMPLEMENT, NON-SEPARABLE,  
HEAVY SERIES, WITH METAL SEALS  
YOKE-TYPE (FGU...MM SERIES)  
METRIC SERIES**

FGU: crowned outer ring  
FGUL: cylindrical outer ring

FGU, FGUL

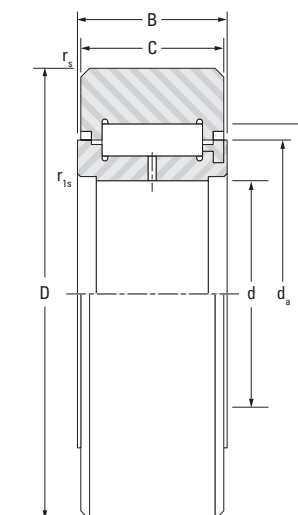


Outer Dia. mm in	D mm in	d mm in	C mm in	B mm in	da mm in	Ew mm in	rs min mm in	r1s min mm in	Designation		Load Ratings					Speed Rating Grease min <sup>-1</sup>	Wt. kg lbs
									Crowned Track Roller	Cylindrical Track Roller	As a Bearing		As a Track Roller				
											Dynamic C	Static Co	Dynamic Cw	Fr perm	Static FOr perm		
42 1.6535	42 1.6535	15 0.5906	18 0.709	19 0.748	20.4 0.8031	28.4 1.1181	1.0 0.039	0.3 0.012	FGU 15 42	FGUL 15 42 MM	26.4 5930	32.4 7280	19.7 4430	14.7 3300	26.4 5930	2200	0.153 0.337
47 1.8504	47 1.8504	17 0.6693	20 0.787	21 0.827	20.0 0.7874	28.0 1.1024	1.0 0.039	0.3 0.012	FGU 17 47 MM	FGUL 17 47 MM	28.3 6360	36.5 8210	21.5 4830	18.8 4230	31.9 7170	1900	0.214 0.472
52 2.0472	52 2.0472	20 0.7874	24 0.945	25 0.984	27.1 1.0669	37.1 1.4606	1.0 0.039	0.3 0.012	FGU 20 52 MM	FGUL 20 52 MM	43.8 9850	57.9 13000	30.7 6900	21.3 4790	38.3 8610	1600	0.268 0.591
62 2.4409	62 2.4409	25 0.9843	24 0.945	25 0.984	31.8 1.2520	41.8 1.6457	1.0 0.039	0.3 0.012	FGU 25 62		48.2 10800	68.2 15300	35.1 7890	30.7 6900	55.1 12400	1400	0.435 0.959
72 2.8346	72 2.8346	30 1.1811	28 1.102	29 1.142	38.2 1.5039	50.2 1.9764	1.0 0.039	0.3 0.012	FGU 30 72 MM	FGUL 30 72 MM	70 15700	103 23200	49 11000	40 8990	72 16200	1100	0.681 1.501
80 3.1496	80 3.1496	35 1.3780	28 1.102	29 1.142	45.9 1.8071	57.9 2.2795	1.0 0.039	0.6 0.024	FGU 35 80	FGUL 35 80	77.5 17400	124 27900	51 11500	42.4 9530	76.3 17200	920	0.82 1.808
	80 3.1496	35 1.3780	28 1.102	29 1.142	45.9 1.8071	57.9 2.2795	1.0 0.039	0.6 0.024	FGU 35 80 MM		77.5 17400	124 27900	51 11500	42.4 9530	76.3 17200	920	0.82 1.808
90 3.5433	90 3.5433	40 1.5748	30 1.181	32 1.260	51.6 2.0315	63.6 2.5039	1.0 0.039	0.6 0.024	FGU 40 90 MM		89.2 20100	153 34400	60.2 13500	59.3 13300	107 24100	810	1.125 2.480
100 3.9370	100 3.9370	45 1.7717	30 1.181	32 1.260	55.4 2.1811	67.4 2.6535	1.5 0.059	0.6 0.024	FGU 45 100 MM		92.7 20800	165 37100	64.5 14500	73.6 16500	122 27400	750	1.395 3.075
110 4.3307	110 4.3307	50 1.9685	30 1.181	32 1.260	61.1 2.4055	73.1 2.8780	1.5 0.059	0.6 0.024	FGU 50 110		97.8 22000	182 40900	68.1 15300	85.9 19300	135 30300	680	1.683 3.710
	110 4.3307	50 1.9685	30 1.181	32 1.260	61.1 2.4055	73.1 2.8780	1.5 0.059	0.6 0.024	FGU 50 110 MM		97.8 22000	182 40900	68.1 15300	85.9 19300	135 30300	680	1.683 3.710
120 4.7244	120 4.7244	55 2.1654	34 1.339	36 1.417	66.1 2.6024	82.1 3.2323	1.5 0.059	0.6 0.024	FGU 55 120		128 28800	215 48300	88.7 19900	91.8 20600	159 35700	640	2.235 4.927
	120 4.7244	55 2.1654	34 1.339	36 1.417	66.1 2.6024	82.1 3.2323	1.5 0.059	0.6 0.024	FGU 55 120 MM	FGUL 55 120 MM	128 28800	215 48300	88.7 19900	91.8 20600	159 35700	640	2.235 4.927
130 5.1181	130 5.1181	60 2.3622	34 1.339	36 1.417	71.2 2.8031	87.2 3.4331	1.5 0.059	0.6 0.024	FGU 60 130 MM		133 29900	232 52200	93.4 21000	106 23800	175 39300	590	2.62 5.776
140 5.5118	140 5.5118	65 2.5591	40 1.575	42 1.654	76.4 3.0079	92.4 3.6378	2.0 0.079	0.6 0.024	FGU 65 140 MM		156 35100	290 65200	110 24700	142 31900	222 49900	540	3.56 7.848

**FULL COMPLEMENT, NON-SEPARABLE,  
HEAVY SERIES, WITH METAL SEALS  
YOKE-TYPE (FGU...MM SERIES)  
METRIC SERIES**

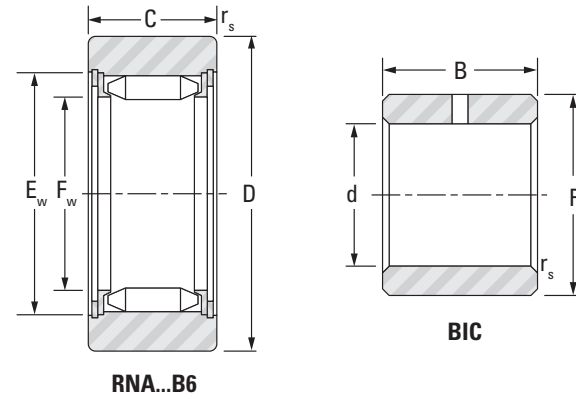
FGU: crowned outer ring  
FGUL: cylindrical outer ring

FGU, FGUL



Outer Dia. mm in	D mm in	d mm in	C mm in	B mm in	da mm in	Ew mm in	rs min mm in	r1s min mm in	Designation		Load Ratings					Speed Rating Grease min <sup>-1</sup>	Wt. kg lbs
									Crowned Track Roller	Cylindrical Track Roller	As a Bearing		As a Track Roller				
											Dynamic C	Static Co	Dynamic Cw	Fr perm	Static FOr perm		
150 5.9055	150 5.9055	70 2.7559	40 1.575	42 1.654	81.5 3.2087	97.5 3.8386	2.0 0.079	0.6 0.024	FGU 70 150 MM		161 36200	310 69700	115 25900	160 36000	240 54000	510	4.09 9.017
160 6.2992	160 6.2992	75 2.9528	40 1.575	42 1.654	86.6 3.4094	102.6 4.0394	2.0 0.079	0.6 0.024	FGU 75 160		166 37300	329 74000	119 26800	178 40000	257 57800	480	4.65 10.3
	160 6.2992	75 2.9528	40 1.575	42 1.654	86.6 3.4094	102.6 4.0394	2.0 0.079	0.6 0.024	FGU 75 160 MM		166 37300	329 74000	119 26800	178 40000	257 57800	480	4.65 10.3
170 6.6929	170 6.6929	80 3.1496	46 1.811	48 1.890	91.7 3.6102	107.7 4.2402	2.0 0.079	1.0 0.039	FGU 80 170		195 43800	412 92600	140 31500	229 51500	322 72400	450	6.07 13.4
	170 6.6929	80 3.1496	46 1.811	48 1.890	91.7 3.6102	107.7 4.2402	2.0 0.079	1.0 0.039	FGU 80 170 MM		195 43800	412 92600	140 31500	229 51500	322 72400	450	6.07 13.4
180 7.0866	180 7.0866	85 3.3465	46 1.811	48 1.890	95.5 3.7598	115.5 4.5472	2.0 0.079	1.0 0.039	FGU 85 180		224 50400	426 95800	162 36400	225 50600	340 76400	440	6.724 14.8
	180 7.0866	85 3.3465	46 1.811	48 1.890	95.5 3.7598	115.5 4.5472	2.0 0.079	1.0 0.039	FGU 85 180 MM	FGUL 85 180 MM	224 50400	426 95800	162 36400	225 50600	340 76400	440	6.724 14.8
190 7.4803	190 7.4803	90 3.5433	52 2.047	54 2.126	101.8 4.0079	121.8 4.7953	2.0 0.079	1.0 0.039	FGU 90 190 MM		259 58200	524 118000	186 41800	277 62300	412 92600	410	8.515 18.8
260 10.2362	260 10.2362	120 4.7244	63 2.480	65 2.559	133.6 5.2598	157.6 6.2047	3.0 0.118	1.5 0.059	FGU 120 260 MM		396 89000	875 197000	293 65900	540 121000	730 164000	300	19.750 43.6
300 11.8110	300 11.8110	140 5.5118	75 2.953	78 3.071	152.6 6.0079	176.6 6.9528	3.0 0.118	1.5 0.059	FGU 140 300 MM		493 111000	1210 272000	367 82500	818 184000	1020 229000	260	31.265 68.9

**FULL COMPLEMENT,  
WITHOUT INNER RING,  
UNSEALED, YOKE-TYPE  
(RNA...B6, RNAB, RNAL SERIES)**



**SEPARATE INNER RINGS  
(BIC SERIES)  
METRIC SERIES**

RNA...B6: Crowned outer ring to maximum slope of 0.15%. Tolerance h9 on dimension D.  
RNAB: Crowned outer ring to maximum slope of 1.5%. Tolerance h9 on dimension D.  
RNAL: Cylindrical outer ring. Tolerance h7 on dim. D.

Outer Dia.	D	C	F <sub>w</sub>	E <sub>w</sub>	r <sub>smin</sub>	Track Roller Designations			Load Ratings					Speed Rating Grease	Wt.	Inner Ring Designation	F	B	d	r <sub>1s min</sub>	Shaft Dia.	
						RNA...B6	RNAB	RNAL	As a Bearing		As a Track Roller											
									Dynamic	Static	Dynamic	Static	Static									
19 0.7480	19 0.7480	12 0.472	7.3 0.287	12.3 0.484	0.35 0.014	RNA 11005 B6	RNAB 11005		5.31 1190	4.44 998	4.82 1080	4.44 998	4.82 1080	6500	0.019 0.042							
22 0.8661	22 0.8661	12 0.472	9.7 0.382	14.7 0.579	0.35 0.014	RNA 11007 B6	RNAB 11007	RNAL 11007	6.42 1440	5.93 1330	5.5 1240	5.26 1180	6.55 1470	4700	0.022 0.049							
28 1.1024	28 1.1024	12 0.472	12.1 0.476	17.1 0.673	0.35 0.014	RNA 11009 B6	RNAB 11009	RNAL 11009	7.37 1660	7.42 1670	6.66 1500	7.42 1670	9.06 2040	3700	0.028 0.062							
32 1.2598	32 1.2598	15 0.591	17.6 0.693	22.6 0.890	0.35 0.014	RNA 11012 B6	RNAB 11012	RNAL 11012	12.7 2850	16.4 3690	9.38 2110	9.48 2130	13.7 3080	2400	0.032 0.071	BIC 1012	17.6 0.693	15 0.591	12 0.472	0.35 0.014	12 0.472	
35 1.3780	35 1.3780	15 0.591	20.8 0.819	25.8 1.016	0.65 0.026	RNA 11015 B6	RNAB 11015		13.9 3120	19.4 4360	9.60 2160	9.47 2130	14.1 3170	2000	0.035 0.077	BIC 1015	20.8 0.819	15 0.591	15 0.591	0.65 0.026	15 0.591	
42 1.6535	42 1.6535	15 0.591	23.9 0.941	28.9 1.138	0.65 0.026	RNA 11017 B6	RNAB 11017	RNAL 11017	15.0 3370	22.4 5040	11.0 2470	14.4 3240	18.4 4140	1700	0.042 0.093	BIC 1017	23.9 0.941	15 0.591	17 0.669	0.68 0.026	17 0.669	
47 1.8504	47 1.8504	18 0.709	28.7 1.130	34.7 1.366	0.65 0.026	RNA 11020 B6	RNAB 11020	RNAL 11020	21.7 4880	33.5 7530	14.6 3280	16.0 3600	23.3 5240	1400	0.047 0.104	BIC 2020	28.7 1.130	18 0.709	20 0.787	0.65 0.026	20 0.787	
52 2.0472	52 2.0472	18 0.709	33.5 1.319	39.5 1.555	0.65 0.026	RNA 11025 B6	RNAB 11025		23.6 5310	39.1 8790	15.0 3370	17.1 3840	24.4 5490	1200	0.052 0.115	BIC 1025	33.5 1.319	18 0.709	25 0.984	0.65 0.026	25 0.984	
62 2.4409	62 2.4409	22 0.866	38.2 1.504	44.2 1.740	0.65 0.026	RNA 11030 B6	RNAB 11030		34.2 7690	65.8 14800	22.6 5080	32.8 7370	44.3 9960	1100	0.062 0.137	BIC 2030	38.2 1.504	22 0.866	30 1.181	0.65 0.026	30 1.181	
72 2.8346	72 2.8346	22 0.866	44.0 1.732	50.0 1.969	0.65 0.026	RNA 11035 B6			36.7 8250	75.7 17000	24.6 5530	42.4 9530	52.2 11700	920	0.072 0.159	BIC 2035	44 1.732	22 0.866	35 1.378	0.65 0.026	35 1.378	
80 3.1496	80 3.1496	22 0.866	49.7 1.957	55.7 2.193	0.85 0.033		RNAB 11040		39.2 8810	85.6 19200	25.8 5800	48.7 10900	57.0 12800	810	0.080 0.176	BIC 2040	49.7 1.957	22 0.866	40 1.575	0.85 0.033	40 1.575	
90 3.5433	90 3.5433	24 0.945	62.1 2.445	68.1 2.681	0.85 0.033	RNA 11050 B6			44.0 9890	107 24100	25.8 5800	53.1 11900	57.0 12800	640	0.090 0.198	BIC 11050	62.1 2.445	24 0.945	50 1.969	0.85 0.033	50 1.969	

**THRUST BEARINGS, ASSEMBLIES, WASHERS**

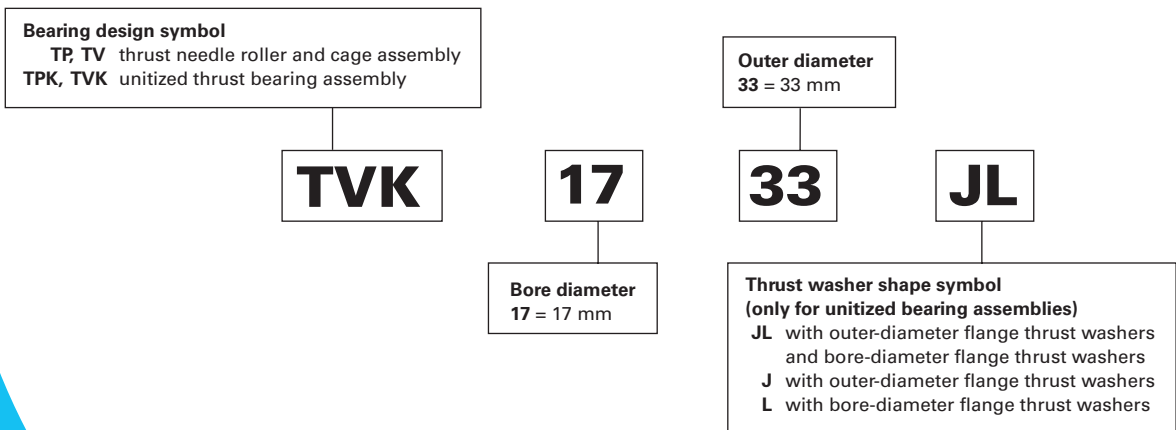
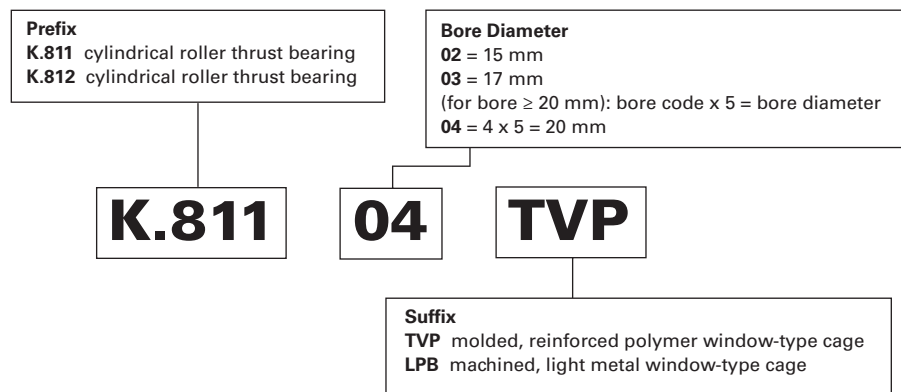
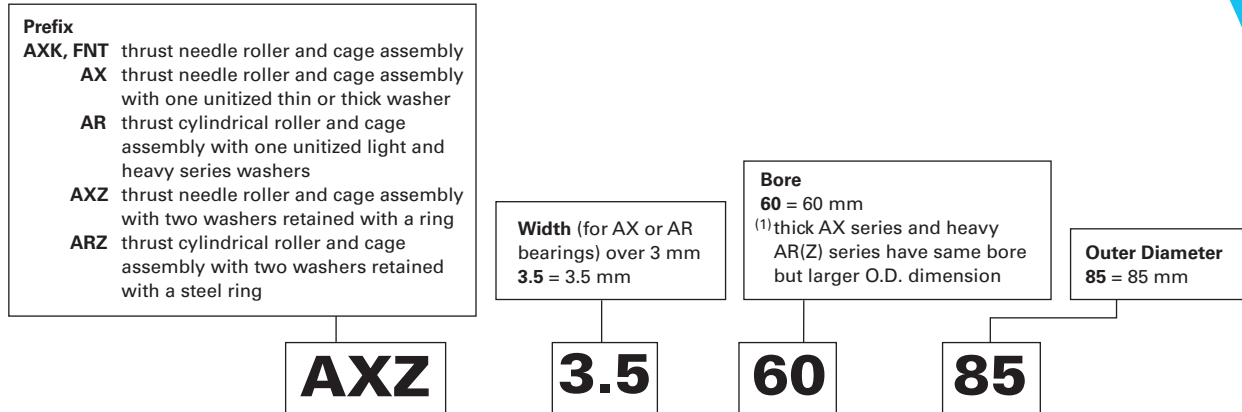
**Overview:** Thrust needle roller and cage assemblies are complements of small diameter needle rollers, arranged in a spoke-like configuration. Needle rollers are equally spaced by means of a cage, its web section separates the rollers and provides guidance to keep them tracking in an orbital path. The purpose of these assemblies is to transmit a thrust load between two relatively rotating objects while greatly reducing friction.

Thrust needle roller and cage assemblies also can be unitized with lipped washers to serve as raceway surfaces for the needle rollers. Washers can be supplied separately or can be mechanically unitized to the thrust needle roller and cage assemblies for ease of handling.

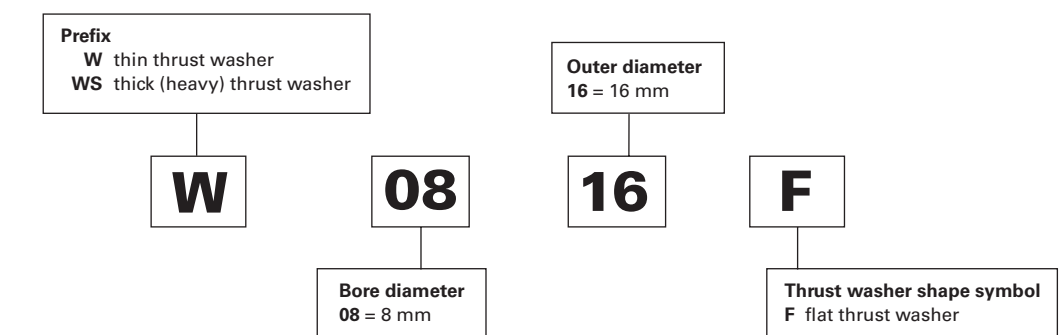
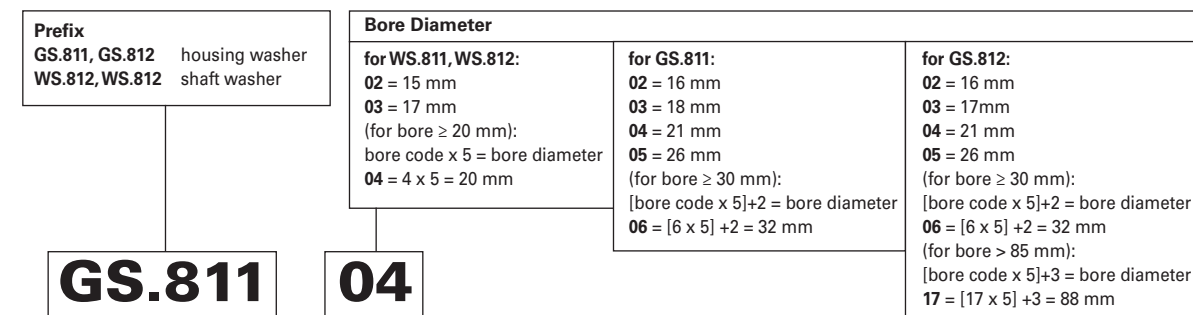
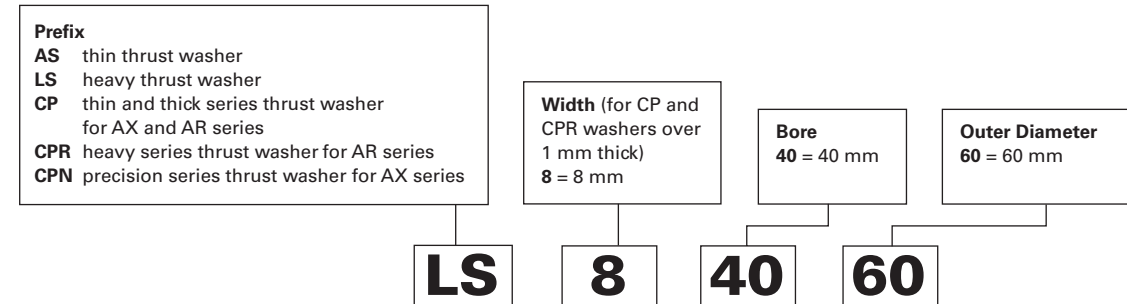
- **Catalogue range:** 5 mm – 240 mm (0.1969 in – 9.4488 in).
- **Markets:** Automotive automatic and manual transmissions, automotive accessories (compressors, steering gears, etc.) agricultural and construction equipment.
- **Features:** One-way fool-proof assembly features, anti-rotation locking features and lubrication flow enhancements.
- **Benefits:** High-speed performance and application flexibility.



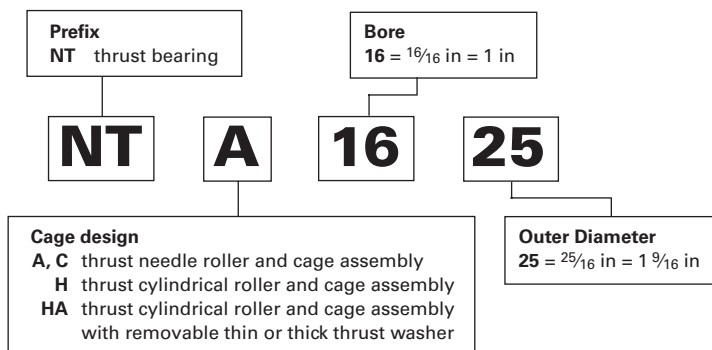
## Needle Roller Thrust Bearings – Metric Nominal Dimensions



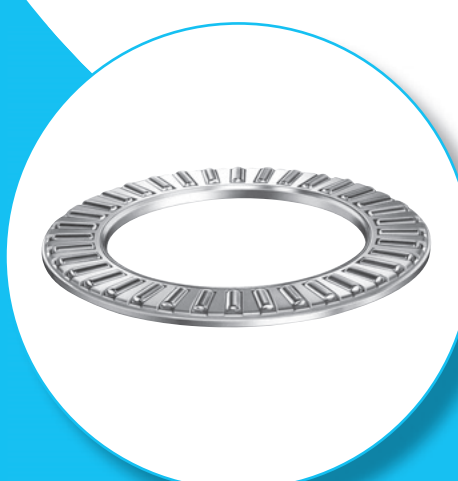
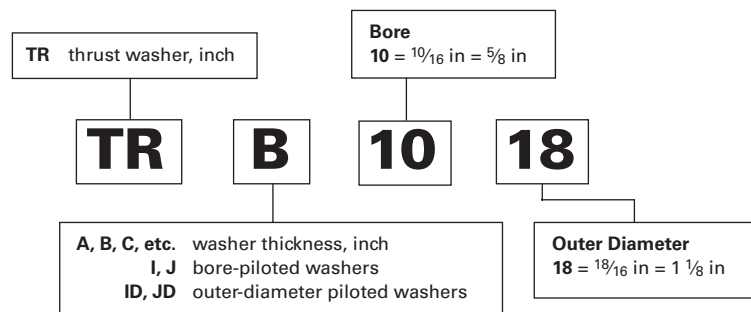
## Thrust Washers – Metric Nominal Dimensions



### Thrust Bearings – Inch Nominal Dimensions



### Thrust Washers – Inch Nominal Dimensions



## Thrust Bearings, Assemblies, Washers

<b>THRUST NEEDLE ROLLER AND CAGE ASSEMBLIES AND THRUST WASHERS – METRIC SERIES</b>	<b>Page</b>
Introduction .....	B-6-6
Thrust Needle Roller and Cage Assemblies, Thrust Washers	
AXK, FNT Series .....	B-6-12
TP, TV Series .....	B-6-18
Unitized Thrust Bearing	
FNTKF Series .....	B-6-20
TPK JL, TVK JL Series .....	B-6-21
Unitized Thrust Bearing	
FNTK Series .....	B-6-22
TPK J, TVK J Series .....	B-6-23
Unitized Thrust Bearing	
FNTF Series .....	B-6-24
TPK L, TVK L Series .....	B-6-25
Unitized Thrust Bearing Type AX .....	B-6-26
<b>CYLINDRICAL ROLLER THRUST BEARINGS AND THEIR COMPONENTS – METRIC SERIES</b>	
Introduction .....	B-6-34
Thrust Cylindrical Roller and Cage Assemblies, Thrust Washers .....	B-6-38
Needle or Roller Thrust Bearings .....	B-6-42
Unitized Roller Thrust Bearing Assemblies .....	B-6-44
<b>THRUST ASSEMBLIES AND THRUST BEARINGS – INCH SERIES</b>	
Introduction .....	B-6-48
Thrust Needle Roller and Cage Assemblies, Thrust Washers .....	B-6-52
Thrust Cylindrical Roller and Cage Assemblies .....	B-6-62
Cylindrical Roller Thrust Bearings .....	B-6-64

**THRUST NEEDLE ROLLER AND CAGE ASSEMBLIES AND THRUST WASHERS**

**METRIC SERIES**

Thrust needle roller and cage assemblies are available in a variety of sizes. They all have very small cross sections. This catalog includes the most popular, standardized designs.

**REFERENCE STANDARDS ARE:**

- **ISO 3031** – rolling bearings – thrust needle roller and cage assemblies, thrust washers – dimensions and tolerances.
- **DIN 5405 Part 2** – rolling bearings – needle roller bearings – thrust needle roller and cage assemblies.
- **DIN 5405 Part 3** – rolling bearings – needle roller bearings – thrust washers.
- **ANSI/ABMA Std. 21.1-1988** – thrust needle roller and cage assemblies and thrust washers – metric design.
- **JIS B 1536** – roller bearings – boundary dimensions and tolerances of needle roller bearings.

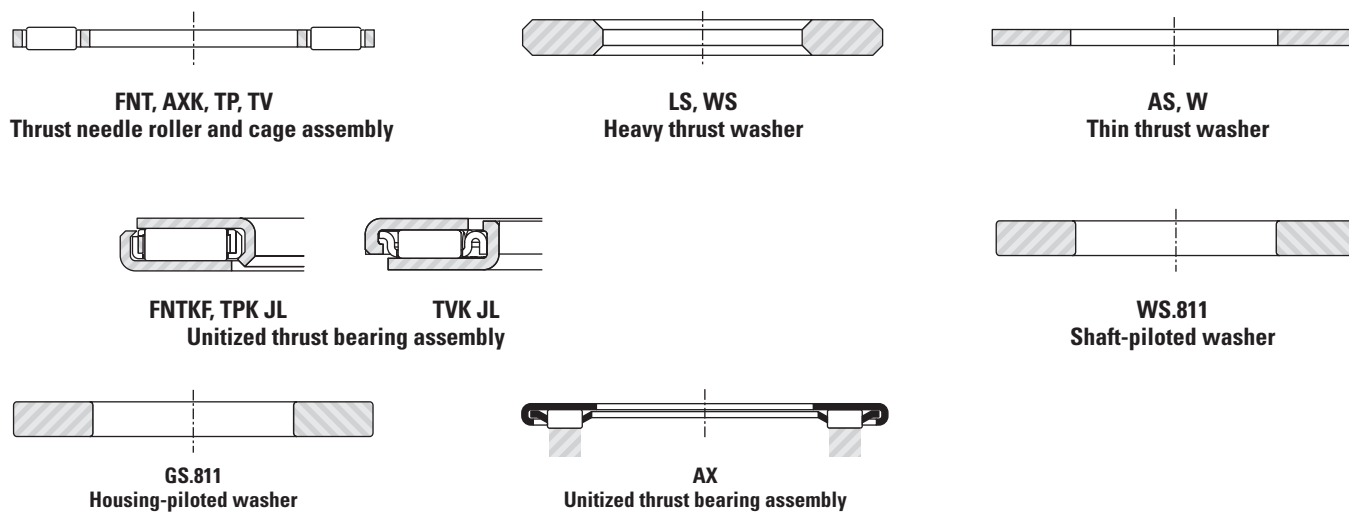


Fig. B6-1. Types of metric series thrust needle roller and cage assemblies and thrust washers

**CONSTRUCTION**

**THRUST NEEDLE ROLLER AND CAGE ASSEMBLIES**

The thrust needle roller and cage assembly (FNT and TP series) has a two-piece steel cage and through-hardened needle rollers that are precision finished to close tolerances for optimum load distribution. The cage is comprised of two mating pieces that are securely fastened together.

AXK and TV series thrust needle roller and cage assembly, which can be used interchangeably with the FNT assembly, has a one-piece cage. The cage is similar in design to the successful profiled radial steel cages.

These cage assemblies have a very thin section and when they must run directly against the backup surface raceways, their section may be 2.000 to 5.000 mm (0.0787 to 0.1969 in) – equivalent to the diameter of the needle rollers used.

When the backup surfaces cannot be hardened and ground, hardened washers of different thicknesses are available.

**UNITIZED THRUST BEARING ASSEMBLIES**

Thrust bearing assemblies of the FNTK, FNTF, FNTKF, TPK and TVK series have been specially designed for use in applications where a unitized assembly allows for easy installation and eliminates the need for heat treatment and precision finishing of one or both thrust bearing backup surfaces.

Each FNTK, FNTF, FNTKF, TPK and TVK assembly consists of a FNT, TP or TV thrust needle roller and cage assembly – with one or two special-lipped washers that snap over the cage to produce a unitized thrust bearing assembly. The FNTK, FNTF, TPK J, TPK L, TVK J and TVK L assembly has one such washer. The FNTKF, TPK JL and TVK JL assembly has a washer on each side of the bearing.

The backup surfaces for these unitized thrust bearing assemblies should meet the limits of permissible out-of-squareness and coning or dishing, as shown in Fig. B6-2 on page B-6-10. Oil is the preferred lubricant for these assemblies. However they also are available pre-greased for applications that do not allow for oil lubrication.

The rolling elements of the AX series thrust bearings are retained and guided in radial pockets within the cage. The cage is retained in relation to the thrust washer by means of a retaining cap. The design of a one-piece steel cage employs a special curvature that guides the rolling elements, by their ends, along their centerlines.

In addition, this special curvature gives the steel cage great rigidity, while providing maximum lubricant space. This unitized assembly of components facilitates installation and provides a high-axial-load capacity, while occupying only minimal space. Note that the AX series is not interchangeable with the AXK series or FNT, TP and TV series thrust needle roller and cage assemblies.

**THRUST WASHERS**

Ideally, a thrust washer should be stationary with respect to, and piloted by, its supporting or backing member – whether or not this is an integral part of the shaft or housing. There should be no rubbing action between the thrust washer and any other machine member. Some thrust washers are designed for bore piloting and others may be piloted by their outer diameter.

**THIN THRUST WASHERS (AS, W)**

The metric series thin thrust washers are made of hardened spring steel. Thin washers are used when the supporting or backing members cannot be adequately prepared as raceways for the needle rollers. These washers are only 1.000 mm (0.0394 in) thick, and provide a very compact and cost-effective bearing arrangement. Although they are usually guided on the shaft, they may be housing-guided, when required by the application.

**HEAVY THRUST WASHERS (LS, WS)**

These metric series thrust washers are made of bearing quality steel, hardened and precision-ground on the flat raceway surfaces. Their bores and outer diameters are not ground, but provide satisfactory surfaces for shaft-piloting or housing-piloting arrangements.

**SHAFT-PILOTED WASHERS (WS.811) AND HOUSING-PILOTED WASHERS (GS.811)**

These shaft-piloted and housing-piloted metric series thrust washers are primarily for use with metric series cylindrical roller thrust bearings of series 811. They are made of bearing-quality steel with hardened and precision-ground, lapped-flat raceway surfaces. The tolerances of the thrust bearing bore and outer diameter shown, in the engineering section of this catalog, apply to shaft-and housing-piloted washers.

**THIN/THICK (CP) AND HEAVY (CPR) THRUST WASHERS**

The washer incorporated in the AX series thrust bearing is made from hardened bearing steel. It forms one of the raceways for the rolling elements. The opposing raceway is generally provided by a separate thrust washer of similar design supplied by JTEKT. When the AX series thrust bearing is piloted by the revolving part, the thrust washer must be piloted by the stationary part and vice versa. If the revolving part and the stationary part are noticeably eccentric to each other, the thrust bearing with integral washer must, without exception, be piloted by the revolving part.

The second raceway for the rolling elements also may be formed by the face of a shoulder or an inserted washer, provided these have the correct hardness and geometric dimensions.

**DIMENSIONAL ACCURACY**

**TOLERANCES FOR THRUST NEEDLE ROLLER AND CAGE ASSEMBLIES**

Pages B-6-12 to B-6-19 list the nominal outer diameter, bore diameter and needle roller diameter for the FNT, AXK, TP and TV series of thrust needle roller and cage assemblies and also the nominal outer diameter and bore diameter of the series AS, LS, WS.811, GS.811, W and WS thrust washers. Thickness tolerances for the AS and LS thrust washers also are included.

Tolerances for the outer and bore diameters of series FNT, AXK, TP and TV thrust needle roller and cage assemblies are given in Table B6-1 on page B-6-7, Table B6-2 on page B-6-8 and Table B6-6 on page B-6-9.

Table B6-1. Tolerances for outer diameter (D<sub>c</sub>) and bore diameter (D<sub>c1</sub>) of series FNT thrust needle roller and cage assemblies

D <sub>c</sub>		Deviations of max. outside diameter (c12)		D <sub>c1</sub>		Deviations of min. bore diameter (E11)	
>	≤	Max.	Min.	>	≤	Max.	Min.
mm in	mm in	mm in	mm in	mm in	mm in	mm in	mm in
18.000 0.7087	30.000 1.1811	-0.110 -0.0043	-0.320 -0.0126	3.000 0.1181	6.000 0.2362	+0.095 +0.0037	+0.020 +0.0008
30.000 1.1811	40.000 1.5748	-0.120 -0.0047	-0.370 -0.0146	6.000 0.2362	10.000 0.3937	+0.115 +0.0045	+0.025 +0.0010
40.000 1.5748	50.000 1.9685	-0.130 -0.0051	-0.380 -0.0150	10.000 0.3937	18.000 0.7087	+0.142 +0.0056	+0.032 +0.0013
50.000 1.9685	65.000 2.5591	-0.140 -0.0055	-0.440 -0.0173	18.000 0.7087	30.000 1.1811	+0.170 +0.0067	+0.040 +0.0016
65.000 2.5591	80.000 3.1496	-0.150 -0.0059	-0.450 -0.0177	30.000 1.1811	50.000 1.9685	+0.210 +0.0083	+0.050 +0.0020
80.000 3.1496	100.000 3.9370	-0.170 -0.0067	-0.520 -0.0205	50.000 1.9685	80.000 3.1496	+0.250 +0.0098	+0.060 +0.0024
100.000 3.9370	120.000 4.7244	-0.180 -0.0071	-0.530 -0.0209	80.000 3.1496	120.000 4.7244	+0.292 +0.0115	+0.072 +0.0028
120.000 4.7244	140.000 5.5118	-0.200 -0.0079	-0.600 -0.0236	120.000 4.7244	180.000 7.0866	+0.335 +0.0132	+0.085 +0.0033
140.000 5.5118	160.000 6.2992	-0.210 -0.0083	-0.610 -0.0240				
160.000 6.2992	180.000 7.0866	-0.230 -0.0091	-0.630 -0.0248				
180.000 7.0866	200.000 7.8740	-0.240 -0.0094	-0.700 -0.0276				

Table B6-2. Tolerances for outer diameter (Dc) and bore diameter (Dc1) of series AXK thrust needle roller and cage assemblies

Dc		Deviations of max. outside diameter (c13)		Dc1		Deviations of min. bore diameter (E12)	
>	≤	Max.	Min.	>	≤	Max.	Min.
mm in	mm in	mm in	mm in	mm in	mm in	mm in	mm in
18.000 0.7087	30.000 1.1811	-0.110 -0.0043	-0.440 -0.0173	3.000 0.1181	6.000 0.2362	+0.140 +0.0055	+0.020 +0.0008
30.000 1.1811	40.000 1.5748	-0.120 -0.0047	-0.510 -0.0201	6.000 0.2362	10.000 0.3937	+0.175 +0.0069	+0.025 +0.0010
40.000 1.5748	50.000 1.9685	-0.130 -0.0051	-0.520 -0.0205	10.000 0.3937	18.000 0.7087	+0.212 +0.0083	+0.032 +0.0013
50.000 1.9685	65.000 2.5591	-0.140 -0.0055	-0.600 -0.0236	18.000 0.7087	30.000 1.1811	+0.250 +0.0098	+0.040 +0.0016
65.000 2.5591	80.000 3.1496	-0.150 -0.0059	-0.610 -0.0240	30.000 1.1811	50.000 1.9685	+0.300 +0.0118	+0.050 +0.0020
80.000 3.1496	100.000 3.9370	-0.170 -0.0067	-0.710 -0.0280	50.000 1.9685	80.000 3.1496	+0.360 +0.0122	+0.060 +0.0024
100.000 3.9370	120.000 4.7244	-0.180 -0.0071	-0.720 -0.0283	80.000 3.1496	120.000 4.7244	+0.422 +0.0166	+0.072 +0.0028
120.000 4.7244	140.000 5.5118	-0.200 -0.0079	-0.830 -0.0327	120.000 4.7244	180.000 7.0866	+0.485 +0.0191	+0.085 +0.0033
140.000 5.5118	160.000 6.2992	-0.210 -0.0083	-0.840 -0.0331				
160.000 6.2992	180.000 7.0866	-0.230 -0.0091	-0.860 -0.0339				
180.000 7.0866	200.000 7.8740	-0.240 -0.0094	-0.960 -0.0378				

Standard AX series needle thrust bearings, combined with a thick washer, provide rotational accuracy and axial run-out to Class 6 levels – according to ISO Standard 199 for ball thrust bearings. They can be supplied in High Precision “HP” quality – providing a precision grade above Class 5. AX series needle thrust bearings with a thin washer are of minimal thickness and provide excellent economy. They should be considered whenever the degree of support and rotational accuracy requirement allow.

Table B6-3. AX Series thickness and axial run-out tolerances

	Bore Dc1 mm	Thickness Tolerance μm	Axial run-out μm	Quality	
Needle thrust bearings (thin)	≤ 60	+30 / -40 <sup>1)</sup>	20 <sup>1)</sup>	HP	HSP
	60 < Dc1 ≤ 90	+50 / -60 <sup>2)</sup>	25 <sup>2)</sup>		
	90 < Dc1 ≤ 120	+50 / -60 <sup>2)</sup>	30 <sup>2)</sup>		
Needle thrust bearings (thick)	Dc1 ≤ 60	+30 / -30 <sup>1)</sup>	20 <sup>1)</sup>	HP	HSP
	60 < Dc1 ≤ 90	+50 / -50 <sup>2)</sup>	25 <sup>2)</sup>		
	90 < Dc1 ≤ 120	+50 / -50 <sup>2)</sup>	30 <sup>2)</sup>		
Thrust washers (thin) [thick]	Dc1 ≤ 120	+50 / -60[-50]	5*	2	1
	120 < Dc1 ≤ 180	+50 / -110[-100]	7*	3	1.5
	180 < Dc1 ≤ 250	+50 / -160[-150]	10*	4	2

\* High precision quality.  
<sup>1)</sup> Under min. load of 150 N.  
<sup>2)</sup> Under min. load of 250 N.

**BORE INSPECTION PROCEDURE FOR ASSEMBLY**

If an inspection of the bore diameter is desired, the bore diameter (Dc1) of the assembly should be checked with “go” and “no go” plug gages. The “go” plug gage size is the minimum bore diameter of the assembly. The “no go” plug gage size is the maximum bore diameter of the assembly.

The assembly, under its own weight, must fall freely from the “go” plug gage. The “no go” plug gage must not enter the bore. Where the “no go” plug gage can be forced through the bore, the assembly must not fall from the gage under its own weight.

**TOLERANCES FOR THRUST WASHERS**

Tolerances for the bore diameters of series WS.811 shaft-piloted thrust washers are given in the engineering section of this catalog. Tolerances for the outer diameters of series GS.811 housing-piloted thrust washers are also given in the engineering section of this catalog.

Tolerances for the outer and bore diameters of series AS thrust washers are given in Table B6-4 on page B-6-9. Thickness tolerance for series AS thrust washers is ±0.050 mm (±0.0020 in).

Tolerances for the outer and bore diameters of series LS heavy thrust washers are given in Table B6-5 on page B-6-9.

Thickness tolerance for series LS heavy thrust washers is given in bearing tables.

**BORE INSPECTION PROCEDURE FOR SERIES AS AND LS THRUST WASHERS**

If an inspection of the thrust washer bore diameter (d) is desired, it should be checked with “go” and “no go” plug gages. The “go” plug gage size is the minimum bore diameter of the thrust washer. The “no go” plug gage size is the maximum bore diameter of the thrust washer.

The thrust washer, under its own weight, must fall freely from the “go” plug gage. The “no go” plug gage must not enter the bore. Where the “no go” plug gage can be forced through the bore, the thrust washer must not fall from the gage under its own weight.

Table B6-4. Tolerances for outer diameter (d1) and bore diameter (d) of series AS thrust washers

d1		Deviations of max. outside diameter (e13)		d		Deviations of min. bore diameter (E13)	
>	≤	Max.	Min.	>	≤	Max.	Min.
mm in	mm in	mm in	mm in	mm in	mm in	mm in	mm in
18.000 0.7087	30.000 1.1811	-0.040 -0.0016	-0.370 -0.0146	3.000 0.1181	6.000 0.2362	+0.200 +0.0079	+0.020 +0.0008
30.000 1.1811	50.000 1.9685	-0.050 -0.0020	-0.440 -0.0173	6.000 0.2362	10.000 0.3937	+0.245 +0.0096	+0.025 +0.0010
50.000 1.9685	80.000 3.1496	-0.060 -0.0024	-0.520 -0.0205	10.000 0.3937	18.000 0.7087	+0.302 +0.0119	+0.032 +0.0013
80.000 3.1496	120.000 4.7244	-0.072 -0.0028	-0.612 -0.0241	18.000 0.7087	30.000 1.1811	+0.370 +0.0146	+0.040 +0.0016
120.000 4.7244	180.000 7.0866	-0.085 -0.0034	-0.715 -0.0282	30.000 1.1811	50.000 1.9685	+0.440 +0.0173	+0.050 +0.0020
180.000 7.0866	250.000 9.8425	-0.100 -0.0039	-0.820 -0.0323	50.000 1.9685	80.000 3.1496	+0.520 +0.0205	+0.060 +0.0024
				80.000 3.1496	120.000 4.7244	+0.612 +0.0241	+0.072 +0.0028
				120.000 4.7244	180.000 7.0866	+0.715 +0.0281	+0.085 +0.0034

Table B6-5. Tolerances for outer diameter (d1) and bore diameter (d) of series LS heavy thrust washers

d1		Deviations of max. outside diameter (a12)		d		Deviations of min. bore diameter (E12)	
>	≤	Max.	Min.	>	≤	Max.	Min.
mm in	mm in	mm in	mm in	mm in	mm in	mm in	mm in
18.000 0.7087	30.000 1.1811	-0.300 -0.0118	-0.510 -0.0201	3.000 0.1181	6.000 0.2362	+0.140 +0.0055	+0.020 +0.0008
30.000 1.1811	40.000 1.5748	-0.310 -0.0122	-0.560 -0.0221	6.000 0.2362	10.000 0.3937	+0.175 +0.0069	+0.025 +0.0010
40.000 1.5748	50.000 1.9685	-0.320 -0.0126	-0.570 -0.0224	10.000 0.3937	18.000 0.7087	+0.212 +0.0084	+0.032 +0.0013
50.000 1.9685	65.000 2.5591	-0.340 -0.0134	-0.640 -0.0252	18.000 0.7087	30.000 1.1811	+0.250 +0.0098	+0.040 +0.0016
65.000 2.5591	80.000 3.1496	-0.360 -0.0142	-0.660 -0.0260	30.000 1.1811	50.000 1.9685	+0.300 +0.0118	+0.050 +0.0020
80.000 3.1496	100.000 3.9370	-0.380 -0.0150	-0.730 -0.0290	50.000 1.9685	80.000 3.1496	+0.360 +0.0142	+0.060 +0.0024
100.000 3.9370	120.000 4.7244	-0.410 -0.0161	-0.760 -0.0299	80.000 3.1496	120.000 4.7244	+0.422 +0.0166	+0.072 +0.0028
120.000 4.7244	140.000 5.5118	-0.460 -0.0181	-0.860 -0.0339	120.000 4.7244	180.000 7.0866	+0.485 +0.0191	+0.085 +0.0034
140.000 5.5118	160.000 6.2992	-0.520 -0.0205	-0.920 -0.0362				
160.000 6.2992	180.000 7.0866	-0.580 -0.0228	-0.980 -0.0386				
180.000 7.0866	200.000 7.8740	-0.660 -0.0260	-1.120 -0.0441				

Thickness tolerances for series LS heavy thrust washers are given in bearing tables.

Table B6-6. W/WS series thrust washer tolerances and TP/TV series thrust needle roller and cage assembly and unitized thrust bearing assembly (TPK/TVK series) tolerances = JIS B 0401=

(1) Outer diameter

Nominal outer diameter d1		Maximum actually measured outer diameter tolerance (e12)	
>	≤	Max.	Min.
mm		μm	
18	30	-40	-250
30	50	-50	-300
50	80	-60	-360
80	120	-72	-422
120	180	-85	-485

\* These values correspond to the W and WS series thickness (h, h1) tolerances and to JIS B 0401-2 tolerance zone class js12.

(2) Bore diameter

Nominal bore diameter d		Minimum actually measured bore diameter tolerance (E12)	
>	≤	Max.	Min.
mm		μm	
6	10	+175	+25
10	18	+212	+32
18	30	+250	+40
30	50	+300	+50
50	80	+360	+60
80	120	+422	+72

\* These values correspond to the W and WS series thickness (h, h1) tolerances and to JIS B 0401-2 tolerance zone class js12.



**Table B6-7. Mounting tolerances for shafts and housings for metric series components**

Bearing components	Shaft tolerance (shaft piloting)	Housing tolerance (housing piloting)
Needle roller and cage assembly. Types: AXK, FNT, TP and TV	h8	H8
Needle roller and cage assembly. Type: AX	h10	H10
Thin thrust washer. Types: AS and W	h8	H8
Heavy thrust washer. Types: LS and WS	h8	H8
Shaft-piloted thrust washer. Type: WS.811	h6 (j6)	Clearance
Housing-piloted thrust washer. Type: GS.811	Clearance	H7 (K7)
Thick, thin and heavy series thrust washers. Types: CP and CPR	h10	H10 required
Unitized thrust bearing assembly. Types: FNTKF (FNTK, FNTF) and TPK/TVK series	h8	H8

**MOUNTING TOLERANCES**

**THRUST NEEDLE ROLLER AND CAGE ASSEMBLIES – METRIC SERIES**

On FNT and AXK series thrust needle roller and cage assemblies, the cage bore has a closer tolerance than the outer diameter. Therefore bore piloting is preferred for these assemblies. To reduce wear, it is suggested that the piloting surface for the cage be hardened to an equivalent of at least 55 HRC. Where design requirements prevent bore piloting, the FNT or AXK series thrust needle roller and cage assemblies may be piloted on the outer diameters. For such cases, suitable O.D. piloting dimensions should be determined. Mounting tolerances are given in Table B6-7 on page B-6-10.

**THRUST WASHERS**

The mounting tolerances for series AS, W, LS, WS, WS.811 and GS.811 thrust washers for use with thrust needle roller and cage assemblies are given in Table B6-7 on page B-6-10.

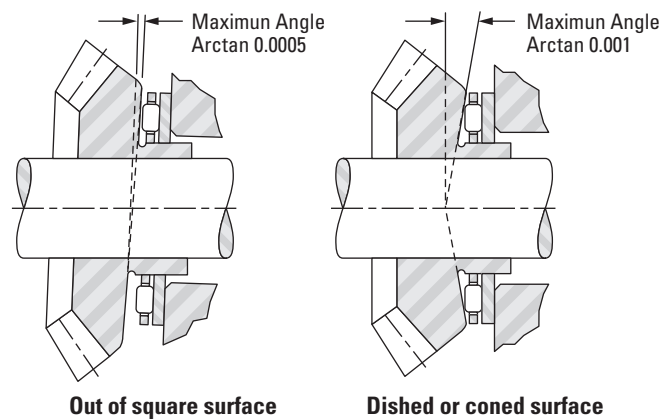
To reduce the wear in the FNT and AXK series thrust assemblies, the piloting surface for the thrust washers should also be hardened to an equivalent of at least 55 HRC.

**BACKUP SURFACES**

In some applications, it is desirable to use the backup surfaces as raceways for the needle rollers of the thrust needle roller and cage assemblies. In such designs, these surfaces should be parallel and must be hardened to at least 58 HRC. If this hardness cannot be achieved and thrust washers cannot be used, the load ratings must be reduced as explained in the engineering section of this catalog.

Thrust raceway surfaces must be ground to a surface finish of 0.2 µm Ra (8 µin Ra). When this requirement cannot be met, thrust washers must be used.

The raceways against which the needle rollers operate, or the surface against which the thrust washers bear, must be square with the axis of the shaft. Equally important, the raceway or surface backing of the thrust washer must not be dished or coned. The permissible limits of out-of-squareness and dishing or coning are shown in the figures below.



**Fig. B6-2. Permissible limits**

For the thin series washers AS thrust washers, full backup should be provided across the whole area of circulation of the rolling elements.

Thick series needle thrust bearings and thick thrust washers can be supported on a more restricted or discontinuous shoulder – provided that the deflection of the washer under load does not impede the smooth operation of the thrust bearing or the required axial run-out.

When an application does not involve the use of a thrust washer, the surface forming the second raceway must:

- Possess a suitable surface finish 0.2 µm Ra (8 µin Ra) and sufficient hardness in relation to the load to be supported. A minimum hardness of 58 HRC, enables thrust bearings to carry their full load capacity. Lower hardness values reduce the capacities shown in the tables of dimensions (see tabulated sizes).

**TOLERANCES FOR PILOTING SURFACES (AX SERIES)**

- Piloting on the shaft: h10 on dimensions D<sub>c1</sub> for thrust bearings or dimension d for thrust washers.
- Piloting in the housing: H10 on dimensions D for thrust bearings or dimension d<sub>1</sub> for thrust washers.

**LOAD RATINGS**

**MINIMUM AXIAL LOAD**

Slippage can occur if the applied axial load is too light and the operating speed of the thrust needle roller and cage assembly is high – particularly if accompanied by inadequate lubrication. For satisfactory operation, a certain minimum load must be applied to a thrust needle roller and cage assembly which can be calculated from:

$$F_{a \text{ min}} = C_0/2200 \text{ [kN]}$$

Where:

- C<sub>0</sub> = static load rating [kN]
- F<sub>a min</sub> = minimum axial load [kN]

**LUBRICATION**

Oil is the preferred lubricant for thrust needle roller and cage assemblies and an ample oil flow is absolutely necessary for high speeds or for moderate speeds when the load is relatively high.

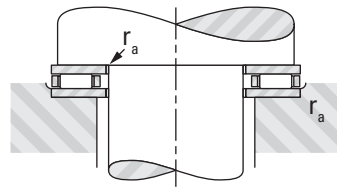
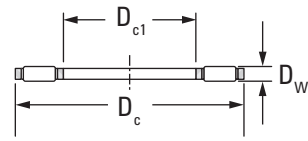
**SPECIAL DESIGNS**

Thrust needle roller and cage assemblies and thrust washers are made to special dimensions and configurations, as well as from special materials – when quantities permit economical manufacture.

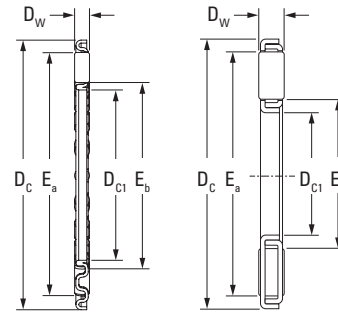
Thrust needle roller and cage assemblies are particularly adaptable to low-cost integral combination with special thrust washers. When the use of such special designs is considered, the following pages should be reviewed for evaluation of proposed arrangements.

THRUST NEEDLE ROLLER AND CAGE ASSEMBLIES, THRUST WASHERS

METRIC SERIES  
AXK, FNT SERIES



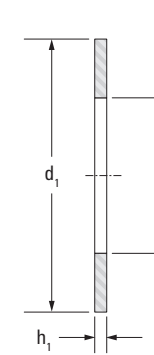
CAGE DESIGN



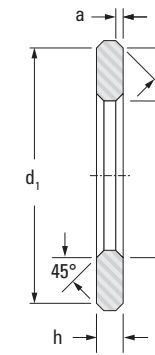
AXK

FNT

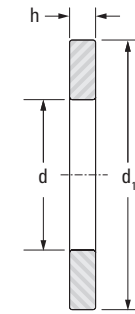
Shaft Dia.	D <sub>c1</sub>	D <sub>c</sub>	D <sub>w</sub>	E <sub>a</sub>	E <sub>b</sub>	r <sub>a</sub> max	Assembly Designation	Load Ratings		Speed Rating	Approx. Wt.
								Dynamic	Static		
								C	C <sub>0</sub>	Oil	
<b>mm</b>	<b>mm in</b>	<b>mm in</b>	<b>mm in</b>	<b>mm in</b>	<b>mm in</b>	<b>mm in</b>		<b>kN</b>	<b>lbf</b>	<b>min<sup>-1</sup></b>	<b>kg</b>
<b>6</b>	<b>6</b> 0.2362	<b>19</b> 0.7480	<b>2</b> 0.0787	<b>16.9</b> 0.665	<b>7.8</b> 0.307	<b>0.3</b> 0.012	AXK0619TN	<b>6.37</b> 1432	<b>14.3</b> 3215	23000	<b>0.001</b> 0.002
				<b>18.0</b> 0.709	<b>8.0</b> 0.315	<b>0.3</b> 0.012	FNT-619	<b>6.82</b> 1530	<b>15.6</b> 3510	21000	<b>0.002</b> 0.004
<b>8</b>	<b>8</b> 0.3150	<b>21</b> 0.8268	<b>2</b> 0.0787	<b>18.6</b> 0.732	<b>9.6</b> 0.378	<b>0.3</b> 0.012	AXK0821TN	<b>8.34</b> 1870	<b>21.1</b> 4740	20000	<b>0.001</b> 0.002
				<b>20.0</b> 0.787	<b>10.0</b> 0.394	<b>0.3</b> 0.012	FNT-821	<b>7.67</b> 1720	<b>19.1</b> 4290	20000	<b>0.002</b> 0.004
<b>10</b>	<b>10</b> 0.3937	<b>24</b> 0.9449	<b>2</b> 0.0787	<b>22.5</b> 0.886	<b>11.0</b> 0.433	<b>0.3</b> 0.012	AXK1024	<b>9.32</b> 2100	<b>25.9</b> 5820	17000	<b>0.003</b> 0.007
				<b>23.0</b> 0.906	<b>12.0</b> 0.472	<b>0.3</b> 0.012	FNT-1024	<b>9.14</b> 2060	<b>25.2</b> 5670	17000	<b>0.002</b> 0.004
<b>12</b>	<b>12</b> 0.4724	<b>26</b> 1.0236	<b>2</b> 0.0787	<b>24.5</b> 0.965	<b>13.0</b> 0.512	<b>0.3</b> 0.012	AXK1226	<b>10.8</b> 2430	<b>32.3</b> 7260	15000	<b>0.004</b> 0.009
				<b>25.0</b> 0.984	<b>14.0</b> 0.551	<b>0.3</b> 0.012	FNT-1226	<b>9.92</b> 2230	<b>29.0</b> 6520	15000	<b>0.004</b> 0.009
<b>15</b>	<b>15</b> 0.5906	<b>28</b> 1.1024	<b>2</b> 0.0787	<b>27.0</b> 1.063	<b>17.0</b> 0.669	<b>0.3</b> 0.012	AXK1528	<b>11.1</b> 2500	<b>35.2</b> 7910	15000	<b>0.004</b> 0.009
				<b>27.0</b> 1.063	<b>17.0</b> 0.669	<b>0.3</b> 0.012	FNT-1528	<b>10.2</b> 2290	<b>31.3</b> 7040	15000	<b>0.004</b> 0.009
<b>17</b>	<b>17</b> 0.6693	<b>30</b> 1.1811	<b>2</b> 0.0787	<b>28.7</b> 1.130	<b>18.3</b> 0.721	<b>0.3</b> 0.012	AXK1730TN	<b>11.7</b> 2630	<b>38.7</b> 8700	14000	<b>0.004</b> 0.009
				<b>29.0</b> 1.142	<b>19.0</b> 0.748	<b>0.3</b> 0.012	FNT-1730	<b>10.8</b> 2430	<b>34.8</b> 7820	14000	<b>0.004</b> 0.009
<b>20</b>	<b>20</b> 0.7874	<b>35</b> 1.3780	<b>2</b> 0.0787	<b>34.0</b> 1.339	<b>22.0</b> 0.866	<b>0.3</b> 0.012	AXK2035	<b>12.8</b> 2880	<b>45.4</b> 10200	12000	<b>0.006</b> 0.013
				<b>34.0</b> 1.339	<b>22.0</b> 0.866	<b>0.3</b> 0.012	FNTA-2035	<b>13.8</b> 3100	<b>50.7</b> 11400	12000	<b>0.005</b> 0.011
<b>25</b>	<b>25</b> 0.9843	<b>42</b> 1.6535	<b>2</b> 0.0787	<b>41.0</b> 1.614	<b>29.0</b> 1.142	<b>0.6</b> 0.024	AXK2542	<b>14.3</b> 3210	<b>56.8</b> 12800	10000	<b>0.007</b> 0.015
				<b>41.0</b> 1.614	<b>27.0</b> 1.063	<b>0.6</b> 0.024	FNT-2542	<b>18.0</b> 4050	<b>75.3</b> 16900	9700	<b>0.008</b> 0.018
<b>30</b>	<b>30</b> 1.1811	<b>47</b> 1.8504	<b>2</b> 0.0787	<b>46.0</b> 1.811	<b>35.0</b> 1.378	<b>0.6</b> 0.024	AXK3047	<b>16.0</b> 3600	<b>68.1</b> 15300	9000	<b>0.009</b> 0.020
				<b>46.0</b> 1.811	<b>32.0</b> 1.260	<b>0.6</b> 0.024	FNTA-3047	<b>18.6</b> 4180	<b>82.4</b> 18500	8900	<b>0.009</b> 0.020
<b>35</b>	<b>35</b> 1.3780	<b>52</b> 2.0472	<b>2</b> 0.0787	<b>51.0</b> 2.008	<b>40.0</b> 1.575	<b>0.6</b> 0.024	AXK3552	<b>17.4</b> 3910	<b>79.5</b> 17900	8100	<b>0.010</b> 0.022
				<b>51.0</b> 2.008	<b>37.0</b> 1.457	<b>0.6</b> 0.024	FNT-3552	<b>21.7</b> 4880	<b>104.0</b> 23400	7900	<b>0.010</b> 0.022



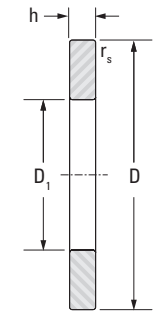
AS  
(h<sub>1</sub> = 1.0)



LS



WS.811



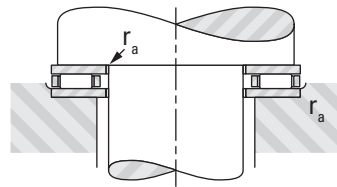
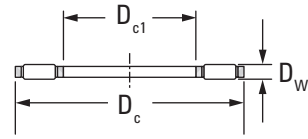
GS.811

Washer Dimensions			Thin		Heavy (LS)				Heavy					
d	D, d <sub>1</sub>	D <sub>1</sub>	h <sub>1</sub>	Washer Designation	Approx. Wt.	h	a	Washer Designation	Approx. Wt.	h	r <sub>s</sub> min	Washer Designation		Approx. Wt.
mm in	mm in	mm in	mm in		kg lbs	mm in	mm in		kg lbs	mm in	mm in	Shaft Piloted	Housing Piloted	kg lbs
<b>6</b>	<b>19</b>		<b>1.00</b>	AS0619	<b>0.001</b> 0.002									
0.2362	0.7480		0.0394											
<b>8</b>	<b>21</b>		<b>1.00</b>	AS0821	<b>0.002</b> 0.004	<b>2.75</b> 0.108	<b>0.30</b> 0.012	LS0821	<b>0.004</b> 0.009					
0.3150	0.8268		0.0394											
<b>10</b>	<b>24</b>		<b>1.00</b>	AS1024	<b>0.003</b> 0.007	<b>2.75</b> 0.108	<b>0.50</b> 0.020	LS1024	<b>0.008</b> 0.018					
0.3937	0.9449		0.0394											
<b>12</b>	<b>26</b>		<b>1.00</b>	AS1226	<b>0.003</b> 0.007	<b>2.75</b> 0.108	<b>0.50</b> 0.020	LS1226	<b>0.009</b> 0.020					
0.4724	1.0236		0.0394											
<b>15</b>	<b>28</b>	<b>16</b>	<b>1.00</b>	AS1528	<b>0.003</b> 0.007	<b>2.75</b> 0.108	<b>0.50</b> 0.020	LS1528	<b>0.010</b> 0.022	<b>2.75</b> 0.108	<b>0.30</b> 0.012	WS.81102	GS.81102	<b>0.0100</b> 0.0220
0.5906	1.1024	0.6299	0.0394											
<b>17</b>	<b>30</b>	<b>18</b>	<b>1.00</b>	AS1730	<b>0.003</b> 0.007	<b>2.75</b> 0.108	<b>0.50</b> 0.020	LS1730	<b>0.011</b> 0.024	<b>2.75</b> 0.108	<b>0.30</b> 0.012	WS.81103	GS.81103	<b>0.011</b> 0.024
0.6693	1.1811	0.7087	0.0394											
<b>20</b>	<b>35</b>	<b>21</b>	<b>1.00</b>	AS2035	<b>0.005</b> 0.011	<b>2.75</b> 0.108	<b>0.50</b> 0.020	LS2035	<b>0.014</b> 0.031	<b>2.75</b> 0.108	<b>0.30</b> 0.012	WS.81104	GS.81104	<b>0.014</b> 0.031
0.7874	1.3780	0.8268	0.0394											
<b>25</b>	<b>42</b>	<b>26</b>	<b>1.00</b>	AS2542	<b>0.007</b> 0.015	<b>3.00</b> 0.118	<b>1.00</b> 0.039	LS2542	<b>0.021</b> 0.046	<b>3.00</b> 0.118	<b>0.60</b> 0.024	WS.81105	GS.81105	<b>0.021</b> 0.046
0.9843	1.6535	1.0236	0.0394											
<b>30</b>	<b>47</b>	<b>32</b>	<b>1.00</b>	AS3047	<b>0.008</b> 0.018	<b>3.00</b> 0.118	<b>1.00</b> 0.039	LS3047	<b>0.023</b> 0.051	<b>3.00</b> 0.118	<b>0.60</b> 0.024	WS.81106	GS.81106	<b>0.023</b> 0.051
1.1811	1.8504	1.2598	0.0394											
<b>35</b>	<b>52</b>	<b>37</b>	<b>1.00</b>	AS3552	<b>0.009</b> 0.020	<b>3.50</b> 0.138	<b>1.00</b> 0.039	LS3552	<b>0.030</b> 0.066	<b>3.50</b> 0.138	<b>0.60</b> 0.024	WS.81107	GS.81107	<b>0.032</b> 0.071
1.3780	2.0472	1.4567	0.0394											

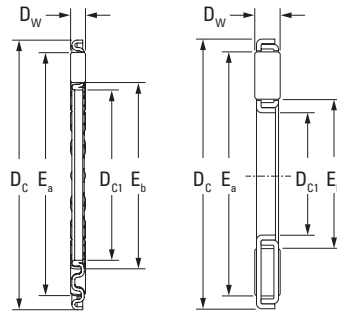
Continued on next page.

THRUST NEEDLE ROLLER AND CAGE ASSEMBLIES, THRUST WASHERS

METRIC SERIES  
AXK, FNT SERIES



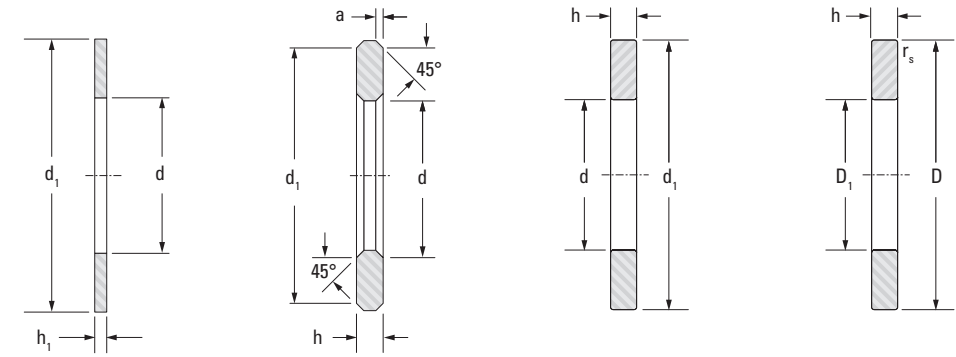
CAGE DESIGN



AXK

FNT

Shaft Dia.	D <sub>c1</sub>	D <sub>c</sub>	D <sub>w</sub>	E <sub>a</sub>	E <sub>b</sub>	r <sub>a</sub> max	Assembly Designation	Load Ratings		Speed Rating	Approx. Wt.
								Dynamic	Static		
								C	C <sub>0</sub>	Oil	
<b>mm</b>	<b>mm in</b>	<b>mm in</b>	<b>mm in</b>	<b>mm in</b>	<b>mm in</b>	<b>mm in</b>		<b>kN lbf</b>		<b>min<sup>-1</sup></b>	<b>kg lbs</b>
<b>40</b>	<b>40</b> 1.5748	<b>60</b> 2.3622	<b>3</b> 0.1181	<b>58.0</b> 2.283	<b>45.0</b> 1.772	<b>0.6</b> 0.024	AXK4060	<b>27.1</b> 6090	<b>110.0</b> 24700	7000	<b>0.016</b> 0.035
				<b>57.0</b> 2.244	<b>43.0</b> 1.693	<b>0.6</b> 0.024	FNT-4060	<b>31.5</b> 7080	<b>132.0</b> 29700	7100	<b>0.020</b> 0.044
<b>45</b>	<b>45</b> 1.7717	<b>65</b> 2.5591	<b>3</b> 0.1181	<b>63.0</b> 2.480	<b>50.0</b> 1.969	<b>0.6</b> 0.024	AXK4565	<b>29.0</b> 6520	<b>124.0</b> 27900	6500	<b>0.020</b> 0.044
				<b>63.0</b> 2.480	<b>47.0</b> 1.850	<b>0.6</b> 0.024	FNT-4565	<b>37.6</b> 8450	<b>172.0</b> 38700	6400	<b>0.024</b> 0.053
<b>50</b>	<b>50</b> 1.9685	<b>70</b> 2.7559	<b>3</b> 0.1181	<b>68.0</b> 2.677	<b>55.0</b> 2.165	<b>0.6</b> 0.024	AXK5070	<b>30.8</b> 6920	<b>137.0</b> 30800	6000	<b>0.020</b> 0.044
				<b>68.0</b> 2.677	<b>52.0</b> 2.047	<b>0.6</b> 0.024	FNT-5070	<b>37.9</b> 8520	<b>179.0</b> 40200	5900	<b>0.026</b> 0.057
<b>55</b>	<b>55</b> 2.1654	<b>78</b> 3.0709	<b>3</b> 0.1181	<b>76.0</b> 2.992	<b>60.0</b> 2.362	<b>0.6</b> 0.024	AXK5578	<b>39.4</b> 8860	<b>195.0</b> 43800	5300	<b>0.026</b> 0.057
				<b>76.0</b> 2.992	<b>57.0</b> 2.244	<b>0.6</b> 0.024	FNT-5578	<b>48.5</b> 10900	<b>254.0</b> 57100	5300	<b>0.033</b> 0.073
<b>60</b>	<b>60</b> 2.3622	<b>85</b> 3.3465	<b>3</b> 0.1181	<b>83.0</b> 3.268	<b>65.0</b> 2.559	<b>0.6</b> 0.024	AXK6085	<b>44.5</b> 10000	<b>234.0</b> 52600	4900	<b>0.035</b> 0.077
<b>65</b>	<b>65</b> 2.5591	<b>90</b> 3.5433	<b>3</b> 0.1181	<b>88.0</b> 3.465	<b>70.0</b> 2.756	<b>0.6</b> 0.024	AXK6590	<b>46.7</b> 10500	<b>254</b> 57100	4600	<b>0.036</b> 0.079
<b>70</b>	<b>70</b> 2.7559	<b>95</b> 3.7402	<b>4</b> 0.1575	<b>93.0</b> 3.661	<b>74.0</b> 2.913	<b>0.6</b> 0.024	AXK7095	<b>53.8</b> 12100	<b>253</b> 56900	4400	<b>0.055</b> 0.121
				<b>93.0</b> 3.661	<b>73.0</b> 2.874	<b>0.6</b> 0.024	FNTA-7095	<b>66.6</b> 15000	<b>333</b> 74900	4400	<b>0.057</b> 0.126
<b>75</b>	<b>75</b> 2.9528	<b>100</b> 3.9370	<b>4</b> 0.1575	<b>98.0</b> 3.858	<b>79.0</b> 3.110	<b>0.6</b> 0.024	AXK75100	<b>55.1</b> 12400	<b>266</b> 59800	4200	<b>0.058</b> 0.128
				<b>98.0</b> 3.858	<b>78.0</b> 3.071	<b>0.6</b> 0.024	FNT-75100	<b>71.6</b> 16100	<b>374</b> 84100	4100	<b>0.064</b> 0.141
<b>80</b>	<b>80</b> 3.1496	<b>105</b> 4.1339	<b>4</b> 0.1575	<b>103.0</b> 4.055	<b>84.0</b> 3.307	<b>0.6</b> 0.024	AXK80105	<b>56.4</b> 12700	<b>279</b> 62700	4000	<b>0.092</b> 0.203
				<b>103.0</b> 4.055	<b>83.0</b> 3.268	<b>0.6</b> 0.024	FNTA-80105	<b>71.3</b> 16100	<b>379</b> 85200	3900	<b>0.062</b> 0.137
<b>85</b>	<b>85</b> 3.3465	<b>110</b> 4.3307	<b>4</b> 0.1575	<b>108.0</b> 4.252	<b>89.0</b> 3.504	<b>0.6</b> 0.024	AXK85110	<b>57.6</b> 12900	<b>291</b> 65400	3800	<b>0.063</b> 0.139
<b>90</b>	<b>90</b> 3.5433	<b>120</b> 4.7244	<b>4</b> 0.1575	<b>118.0</b> 4.646	<b>94.0</b> 3.701	<b>0.6</b> 0.024	AXK90120	<b>72.9</b> 16400	<b>405</b> 91000	3500	<b>0.081</b> 0.179
<b>100</b>	<b>100</b> 3.9370	<b>135</b> 5.3150	<b>4</b> 0.1575	<b>133.0</b> 5.236	<b>105.0</b> 4.134	<b>0.6</b> 0.024	AXK100135	<b>90.2</b> 20300	<b>552</b> 124000	3100	<b>0.106</b> 0.234
<b>110</b>	<b>110</b> 4.3307	<b>145</b> 5.7087	<b>4</b> 0.1575	<b>143.0</b> 5.630	<b>115.0</b> 4.528	<b>0.6</b> 0.024	AXK110145	<b>93.2</b> 21000	<b>591</b> 133000	2800	<b>0.117</b> 0.258



AS  
(h<sub>1</sub> = 1.0)

LS

WS.811

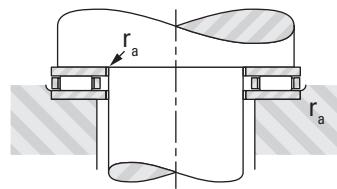
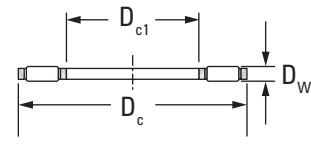
GS.811

Washer Dimensions			Thin		Heavy (LS)				Heavy					
d	D, d <sub>1</sub>	D <sub>1</sub>	h <sub>1</sub>	Washer Designation	Approx. Wt.	h	a	Washer Designation	Approx. Wt.	h	r <sub>s</sub> min	Washer Designation		Approx. Wt.
mm in	mm in	mm in	mm in		kg lbs	mm in	mm in		kg lbs	mm in	mm in	Shaft Piloted	Housing Piloted	kg lbs
<b>40</b>	<b>60</b>	<b>42</b>	<b>1.00</b>	AS4060	<b>0.012</b> 0.026	<b>3.50</b> 0.138	<b>1.00</b> 0.039	LS4060	<b>0.041</b> 0.090	<b>3.50</b> 0.138	<b>0.60</b> 0.024	WS.81108	GS.81108	<b>0.043</b> 0.095
<b>45</b>	<b>65</b>	<b>47</b>	<b>1.00</b>	AS4565	<b>0.013</b> 0.029	<b>4.00</b> 0.157	<b>1.00</b> 0.039	LS4565	<b>0.052</b> 0.115	<b>4.00</b> 0.157	<b>0.60</b> 0.024	WS.81109	GS.81109	<b>0.054</b> 0.119
<b>50</b>	<b>70</b>	<b>52</b>	<b>1.00</b>	AS5070	<b>0.014</b> 0.031	<b>4.00</b> 0.157	<b>1.00</b> 0.039	LS5070	<b>0.0560</b> 0.1230	<b>4.00</b> 0.157	<b>0.60</b> 0.024	WS.81110	GS.81110	<b>0.059</b> 0.130
<b>55</b>	<b>78</b>	<b>57</b>	<b>1.00</b>	AS5578	<b>0.018</b> 0.040	<b>5.00</b> 0.197	<b>1.00</b> 0.039	LS5578	<b>0.0910</b> 0.2010	<b>5.00</b> 0.197	<b>0.60</b> 0.024	WS.81111	GS.81111	<b>0.094</b> 0.207
<b>60</b>	<b>85</b>	<b>62</b>	<b>1.00</b>	AS6085	<b>0.022</b> 0.049	<b>4.75</b> 0.187	<b>1.50</b> 0.059	LS6085	<b>0.102</b> 0.225	<b>4.75</b> 0.187	<b>1.00</b> 0.039	WS.81112	GS.81112	<b>0.106</b> 0.234
<b>65</b>	<b>90</b>	<b>67</b>	<b>1.00</b>	AS6590	<b>0.023</b> 0.051	<b>5.25</b> 0.207	<b>1.50</b> 0.059	LS6590	<b>0.121</b> 0.267	<b>5.25</b> 0.207	<b>1.00</b> 0.039	WS.81113	GS.81113	<b>0.125</b> 0.276
<b>70</b>	<b>95</b>	<b>72</b>	<b>1.00</b>	AS7095	<b>0.025</b> 0.055	<b>5.25</b> 0.207	<b>1.50</b> 0.059	LS7095	<b>0.1280</b> 0.2820	<b>5.25</b> 0.207	<b>1.00</b> 0.039	WS.81114	GS.81114	<b>0.133</b> 0.293
<b>75</b>	<b>100</b>	<b>77</b>	<b>1.00</b>	AS75100	<b>0.027</b> 0.060	<b>5.75</b> 0.226	<b>1.50</b> 0.059	LS75100	<b>0.1500</b> 0.3310	<b>5.75</b> 0.226	<b>1.00</b> 0.039	WS.81115	GS.81115	<b>0.155</b> 0.342
<b>80</b>	<b>105</b>	<b>82</b>	<b>1.00</b>	AS80105	<b>0.028</b> 0.062	<b>5.75</b> 0.226	<b>1.50</b> 0.059	LS80105	<b>0.1580</b> 0.3480	<b>5.75</b> 0.226	<b>1.00</b> 0.039	WS.81116	GS.81116	<b>0.165</b> 0.364
<b>85</b>	<b>110</b>	<b>87</b>	<b>1.00</b>	AS85110	<b>0.028</b> 0.062	<b>5.75</b> 0.226	<b>1.50</b> 0.059	LS85110	<b>0.166</b> 0.366	<b>5.75</b> 0.226	<b>1.00</b> 0.039	WS.81117	GS.81117	<b>0.173</b> 0.381
<b>90</b>	<b>120</b>	<b>92</b>	<b>1.00</b>	AS90120	<b>0.038</b> 0.084	<b>6.50</b> 0.256	<b>1.50</b> 0.059	LS90120	<b>0.245</b> 0.540	<b>6.50</b> 0.256	<b>1.00</b> 0.039	WS.81118	GS.81118	<b>0.253</b> 0.558
<b>100</b>	<b>135</b>		<b>1.00</b>	AS100135	<b>0.050</b> 0.110									
<b>110</b>	<b>145</b>		<b>1.00</b>	AS110145	<b>0.055</b> 0.121	<b>7.00</b> 0.276	<b>1.50</b> 0.059	LS110145	<b>0.373</b> 0.822	<b>7.00</b> 0.276				

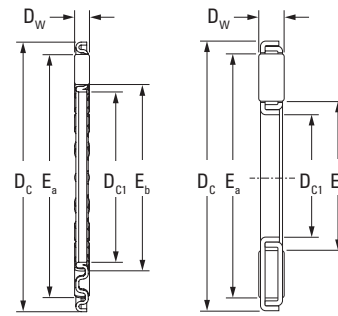
Continued on next page.

THRUST NEEDLE ROLLER AND CAGE ASSEMBLIES, THRUST WASHERS

METRIC SERIES  
AXK, FNT SERIES



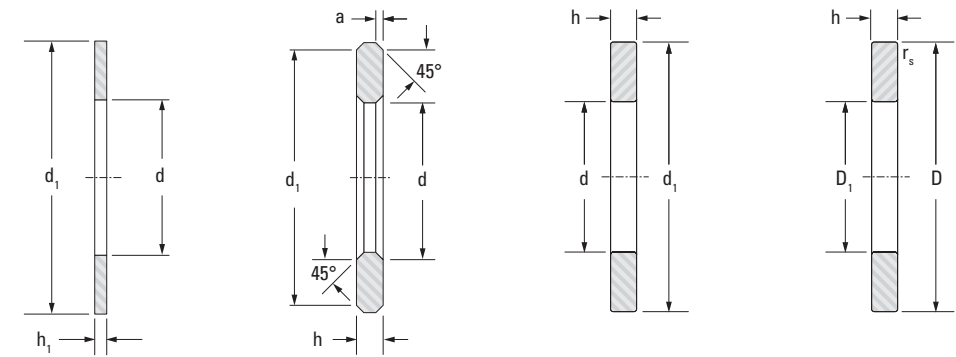
CAGE DESIGN



AXK

FNT

Shaft Dia.	D <sub>c1</sub>	D <sub>c</sub>	D <sub>w</sub>	E <sub>a</sub>	E <sub>b</sub>	r <sub>a</sub> max	Assembly Designation	Load Ratings		Speed Rating	Approx. Wt.
								Dynamic	Static	Oil	
								C	C <sub>0</sub>		
mm	mm in	mm in	mm in	mm in	mm in	mm in		kN lbf	min <sup>-1</sup>	kg lbs	
120	120 4.7244	155 6.1024	4 0.1575	153.0 6.024	125.0 4.921	0.6 0.024	AXK120155	98.5 22100	650 146000	2700	0.126 0.278
130	130 5.1181	170 6.6929	5 0.1969	167.0 6.575	136.0 5.354	0.6 0.024	AXK130170	132 29700	829 186000	2400	0.198 0.437
140	140 5.5118	180 7.0866	5 0.1969	177.0 6.969	146.0 5.748	0.6 0.024	AXK140180	136 30600	887 199000	2300	0.221 0.487
150	150 5.9055	190 7.4803	5 0.1969	187.0 7.362	156.0 6.142	0.6 0.024	AXK150190	141 31700	944 212000	2200	0.225 0.496
160	160 6.2992	200 7.8740	5 0.1969	197.0 7.756	166.0 6.535	0.6 0.024	AXK160200	146 32800	1000 225000	2100	0.249 0.549



AS  
(h<sub>1</sub> = 1.0)

LS

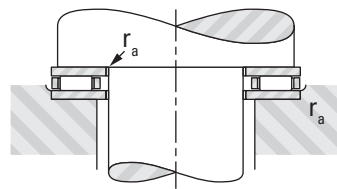
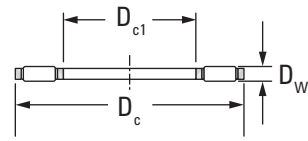
WS.811

GS.811

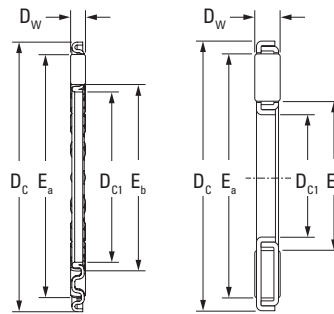
Washer Dimensions			Thin			Heavy (LS)				Heavy				
d	D, d <sub>1</sub>	D <sub>1</sub>	h <sub>1</sub>	Washer Designation	Approx. Wt.	h	a	Washer Designation	Approx. Wt.	h	r <sub>s</sub> min	Washer Designation		Approx. Wt.
mm in	mm in	mm in	mm in		kg lbs	mm in	mm in		kg lbs	mm in	mm in	Shaft Piloted	Housing Piloted	kg lbs
120 4.7244	155 6.1024		1.00 0.0394	AS120155	0.059 0.130									
130 5.1181	170 6.6929		1.00 0.0394	AS130170	0.074 0.163	9.00 0.354	1.50 0.059	LS130170	0.065 0.143					
140 5.5118	180 7.0866		1.00 0.0394	AS140180	0.078 0.172									
150 5.9055	190 7.4803		1.00 0.0394	AS150190	0.083 0.183									
160 6.2992	200 7.8740		1.00 0.0394	AS160200	0.089 0.196									

THRUST NEEDLE ROLLER AND CAGE ASSEMBLIES, THRUST WASHERS

METRIC SERIES  
TP, TV SERIES



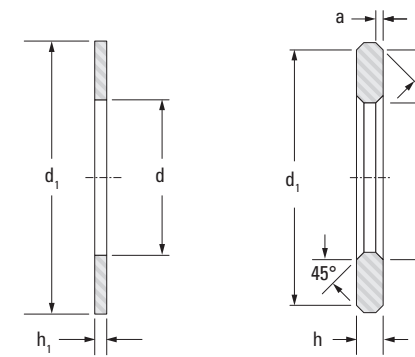
CAGE DESIGN



TV

TP

Shaft Dia.	D <sub>c1</sub>	D <sub>c</sub>	D <sub>w</sub>	E <sub>a</sub>	E <sub>b</sub>	r <sub>a max</sub>	Assembly Designation	Load Ratings		Speed Rating	Approx. Wt.
								Dynamic	Static	Oil	
								C	C <sub>0</sub>		
mm	mm in	mm in	mm in	mm in	mm in	mm in		kN lbf	min <sup>-1</sup>	kg lbs	
10	10	23	2	22	12		TV1023	9	25	18000	0.003
12	12	26	2	24	14		TV1226	10	29	16000	0.004
15	15	32	2	31	22		TP1532-1	13	45	13000	0.006
17	17	34	3	33	21		TV1734	16	52	12000	0.008
18	18	31	2	29	20		TP1831	12	41	14000	0.005
20	20	35	2	32	22		TP2035	15	57	12000	0.006
21	21	32	2	30	23		TP2132D	11	37	13000	0.005
22	22	34	2	32	25		TP2234	11	36	13000	0.005
25	25	42	2	40	28		TP2542	18	75	10000	0.009
30	30	47	2	45	34		TP3047-1	20	89	9000	0.010
34	34	45	2	43	37		TP3445A	12	48	9000	0.007
39.6	39.6	58.1	3	56	43		TP4058-1	29	120	7000	0.022
41	41	68	9	64	45		TP4168	87	233	6000	0.104
42	42	62	3	57	47		TP4262	23	91	7000	0.023
45	45	56	2	54	47		TP4556	12	49	7000	0.008
46	46	68	4	65	49		TP4668-2	47	210	6000	0.035
50	50	70	3	66	54		TP5070	34	153	6000	0.028
70	70	95	4	91	74		TP7095	57	275	4000	0.070



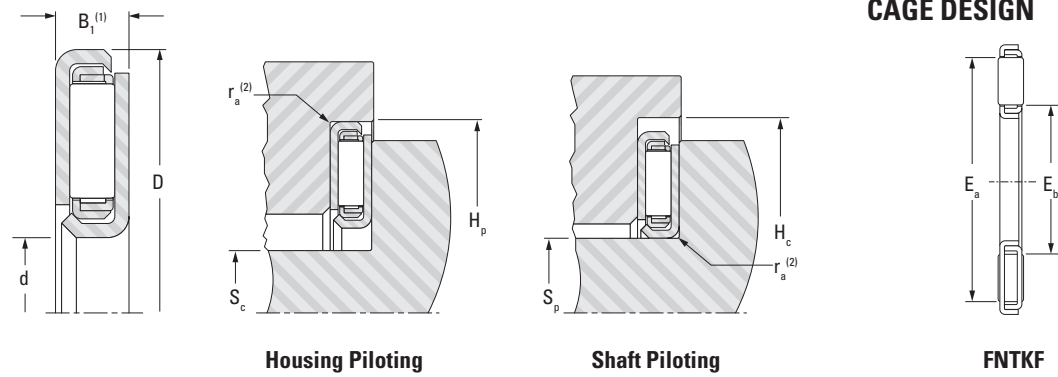
WF  
(h<sub>1</sub> = 1.0)

WS F

Washer Dimensions			Thin			Heavy (WS)				Heavy				
d	D, d <sub>1</sub>	D <sub>1</sub>	h <sub>1</sub>	Washer Designation	Approx. Wt.	h	a	Washer Designation	Approx. Wt.	h	r <sub>s min</sub>	Washer Designation		Approx. Wt.
mm in	mm in	mm in	mm in		kg lbs	mm in	mm in		kg lbs	mm in	mm in	Shaft Piloted	Housing Piloted	kg lbs
15	32		1.00	W1532F	0.005									
18	31		1.00	W1831F	0.004									
25	42		1.00	W2542F	0.007	4.00		WS2542KF	0.021					
70	95					3.00		WS7095F	0.075					

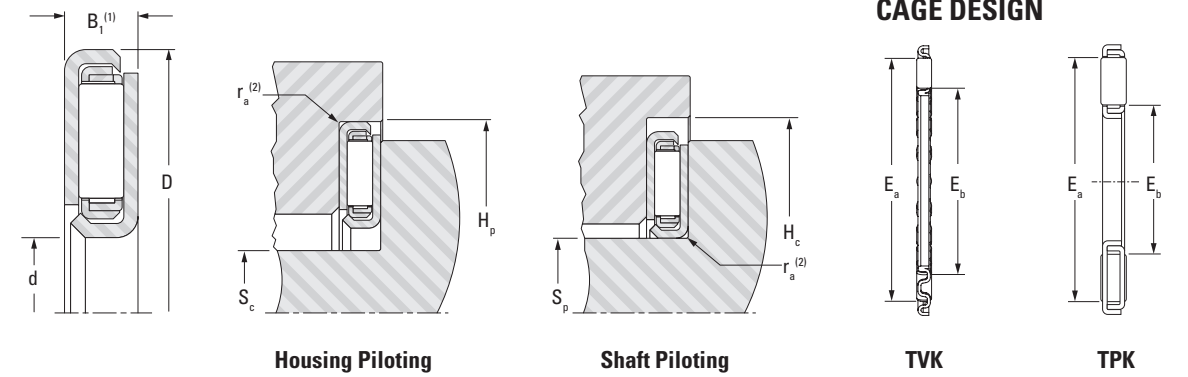
UNITIZED THRUST BEARING

METRIC SERIES  
FNTKF SERIES



UNITIZED THRUST BEARING

METRIC SERIES  
TPK JL,  
TVK JL SERIES



Shaft Dia.	d	D	B <sub>1</sub>	Assembly Designation	Load Ratings		Speed Rating	Mounting Dimensions				Contact Dimensions Nominal		Approx. Wt.
					Dynamic C	Static C <sub>0</sub>		Housing Piloting		Shaft Piloting		E <sub>a</sub>	E <sub>b</sub>	
								H <sub>p</sub>	S <sub>c</sub> <sup>(3)</sup>	S <sub>p</sub>	H <sub>c</sub> <sup>(3)</sup>			
10	10 0.3937	28 1.1024	3.7 <sup>(1)</sup> 0.146	FNTKF-1028	9.88 2220	29.0 6520	16000	28 1.102	8 0.31496	10 0.394	30 1.181	25 0.984	14 0.551	0.010
13	13 0.5118	30 1.1811	3.7 <sup>(1)</sup> 0.146	FNTKF-1330	10.1 2270	31.3 7040	15000	30 1.181	11 0.433	13 0.512	32 1.260	27 1.063	17 0.669	0.011
15	15 0.5906	32 1.2598	3.7 <sup>(1)</sup> 0.146	FNTKF-1532	10.8 2430	34.8 7820	14000	32 1.260	13 0.512	15 0.591	34 1.339	29 1.142	19 0.748	0.012
18	18 0.7087	37 1.4567	3.7 <sup>(1)</sup> 0.146	FNTKF-1837	13.8 3100	50.3 11300	12000	37 1.457	16 0.630	18 0.709	39 1.535	34 1.339	22 0.866	0.017
23	23 0.9055	44 1.7323	3.7 <sup>(1)</sup> 0.146	FNTKF-2344	18.0 4050	75.3 16900	9700	44 1.732	21 0.827	23 0.906	46 1.811	41 1.614	27 1.063	0.021
28	28 1.1024	49 1.9291	3.7 <sup>(1)</sup> 0.146	FNTKF-2849	18.6 4180	82.4 18500	8900	49 1.929	26 1.024	28 1.102	51 2.008	46 1.811	32 1.260	0.024
33	33 1.2992	54 2.126	3.7 <sup>(1)</sup> 0.146	FNTKF-3354	21.6 4860	104 23400	7900	54 2.126	31 1.220	33 1.299	56 2.205	51 2.008	37 1.457	0.029
38	38 1.4961	62 2.4409	4.7 <sup>(1)</sup> 0.185	FNTKF-3862	31.4 7060	132 29700	7100	62 2.441	36 1.417	38 1.496	64 2.520	57 2.244	43 1.693	0.047
43	43 1.6929	67 2.6378	4.7 <sup>(1)</sup> 0.185	FNTKF-4367	37.8 8500	173 38900	6400	67 2.638	41 1.614	43 1.693	69 2.717	63 2.480	47 1.850	0.051
48	48 1.890	72 2.8346	4.7 <sup>(1)</sup> 0.185	FNTKF-4872	37.9 8520	179 40200	5900	72 2.835	46 1.811	48 1.890	74 2.913	68 2.677	52 2.047	0.056
53	53 2.0866	80 3.150	4.7 <sup>(1)</sup> 0.185	FNTKF-5380	48.5 10900	254 57100	5300	80 3.150	51 2.008	53 2.087	82 3.228	76 2.992	57 2.244	0.070

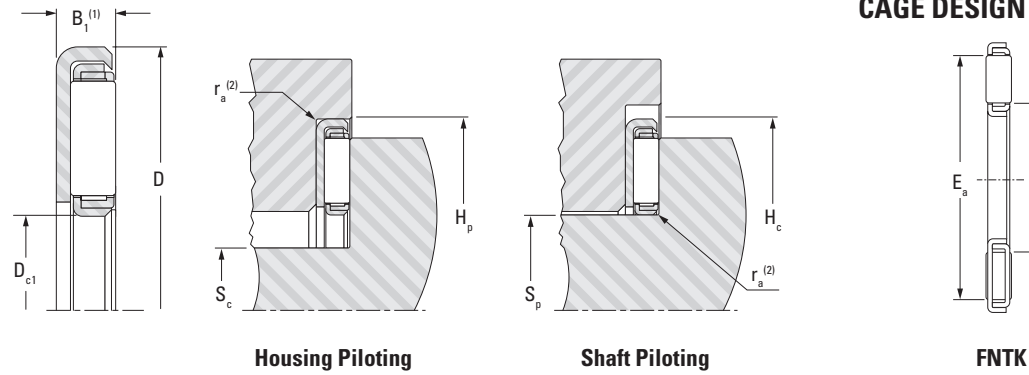
Shaft Dia.	d	D	B <sub>1</sub>	Assembly Designation	Load Ratings		Speed Rating	Mounting Dimensions				Contact Dimensions Nominal		Approx. Wt.
					Dynamic C	Static C <sub>0</sub>		Housing Piloting		Shaft Piloting		E <sub>a</sub>	E <sub>b</sub>	
								H <sub>p</sub>	S <sub>c</sub> <sup>(3)</sup>	S <sub>p</sub>	H <sub>c</sub> <sup>(3)</sup>			
17	17	33	3.4	TVK1733JL	8.95	27.7	14000	33	15	17	35	30	21	0.011
22.6	22.6	40	3.6	TVK2340JL-3	11.8	43.1	11000	40	20.6	22.6	42	36	28	0.016
30.7	30.7	47.1	4.184	TPK3147JL-2	14.4	59.6	9000	47.1	28.7	30.7	49.1	43	34	0.024
34	34	51.4	3.6	TPK3451JL	14.5	61.6	9000	51.4	32	34	53.4	47	38	0.023
38	38	53	3.6	TPK3853JL	13.5	57.9	8000	53	36	38	55	49	42	0.022
	38	58	4.8	TPK3858JL	24.7	95.8	8000	58	36	38	60	54	43	0.041
54	54	77	6	TVK5477JL	31.4	144	6000	77	52	54	79	72	60	0.076
55.9	55.9	76	3.584	TVK5676JL	18.5	96.6	6000	76	53.9	55.9	78	70	60	0.040
60.4	60.4	77.9	3.8	TPK6078JL	20.6	114	5000	77.9	58.4	60.4	79.9	74	65	0.038
	60.4	78	3.6	TVK6078JL	15.8	80.1	5000	78	58.4	60.4	80	74	65	0.037
63.8	63.8	83.6	4.6	TPK6484JL	29.9	141	5000	83.6	61.8	63.8	85.6	79	69	0.058
67.6	67.6	92	5.4	TVK6892JL-1	34.7	175	5000	92	65.6	67.6	94	86	74	0.086
73.6	73.6	89.6	3.6	TPK7490JL	11.7	56.7	5000	89.6	71.6	73.6	91.6	85	78	0.041
110	110	132.2	4.3	TPK110132JL-1	22.9	131	3000	132.2	108	110	134.2	126	116	0.091

(1) To be measured under a 2.0 kN (450 lbf) load.  
 (2) r<sub>a</sub> = 0.500 mm max. (0.0197 in max.).  
 (3) S<sub>c</sub>=d-2mm, H<sub>c</sub>=D+2mm

(1) To be measured under a 2.0 kN (450 lbf) load.  
 (2) r<sub>a</sub> = 0.500 mm max. (0.0197 in max.).  
 (3) S<sub>c</sub>=d-2mm, H<sub>c</sub>=D+2mm

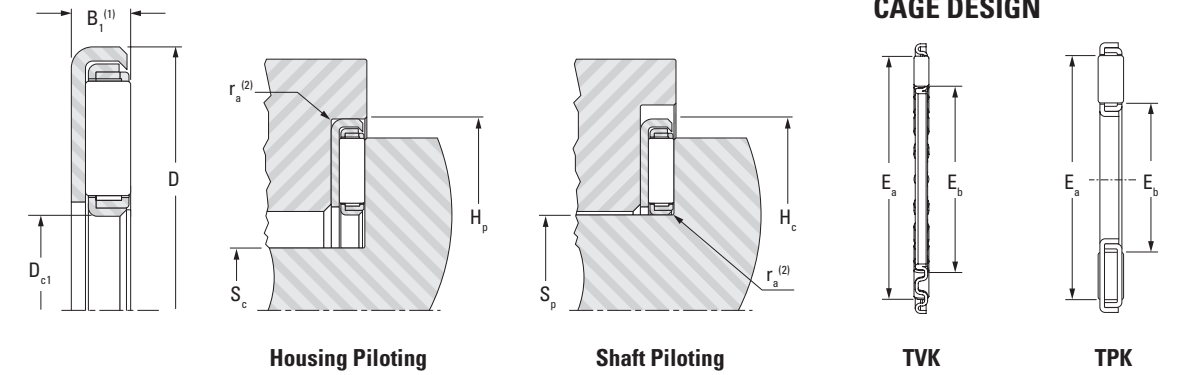
UNITIZED THRUST BEARING

METRIC SERIES  
FNTK SERIES



UNITIZED THRUST BEARING

METRIC SERIES  
TPK J,  
TVK J SERIES



Shaft Dia.	D <sub>c1</sub>	D	B <sub>1</sub>	Assembly Designation	Load Ratings		Speed Rating	Mounting Dimensions				Contact Dimensions Nominal		Approx. Wt.
					Dynamic	Static		Housing Piloting		Shaft Piloting		E <sub>a</sub>	E <sub>b</sub>	
								H <sub>p</sub>	S <sub>c</sub> <sup>(3)</sup>	S <sub>p</sub>	H <sub>c</sub> <sup>(3)</sup>			
					C	C <sub>0</sub>		—	Max.	—	Min.	mm in	mm in	
mm	mm in	mm in	mm in		kN lbf	min <sup>-1</sup>	mm in	mm in	mm in	mm in	mm in	mm in	kg lbs	
12	12 0.4724	28 1.1024	2.85 <sup>(1)</sup> 0.1122	FNTK-1228	9.88 2220	29.0 6520	16000	28 1.102	10.5 0.413	12 0.4724	29.5 1.161	25 0.9843	14 0.5512	0.007
15	15 0.5906	30 1.1811	2.85 <sup>(1)</sup> 0.1122	FNTK-1530	10.1 2270	31.3 7040	15000	30 1.181	13.5 0.531	15 0.5906	31.5 1.240	27 1.063	17 0.6693	0.008
17	17 0.6693	32 1.260	2.85 <sup>(1)</sup> 0.1122	FNTK-1732	10.8 2430	34.8 7820	14000	32 1.260	15.5 0.610	17 0.6693	33.5 1.319	29 1.1417	19 0.748	0.008
20	20 0.7874	37 1.4567	2.85 <sup>(1)</sup> 0.1122	FNTK-2037	13.8 3100	50.3 11300	12000	37 1.457	18.5 0.728	20 0.7874	38.5 1.516	34 1.3386	22 0.8661	0.012
25	25 0.9843	44 1.7323	2.85 <sup>(1)</sup> 0.1122	FNTK-2544	18.0 4050	75.3 16900	9700	44 1.732	23.5 0.925	25 0.9843	45.5 1.791	41 1.6142	27 1.063	0.015
30	30 1.1811	49 1.9291	2.85 <sup>(1)</sup> 0.1122	FNTK-3049	18.6 4180	82.4 18500	8900	49 1.929	28.5 1.122	30 1.1811	50.5 1.988	46 1.811	32 1.260	0.018
35	35 1.378	54 2.126	2.85 <sup>(1)</sup> 0.1122	FNTK-3554	21.6 4860	104 23400	7900	54 2.126	33.5 1.319	35 1.378	55.5 2.185	51 2.0079	37 1.4567	0.021
40	40 1.5748	62 2.4409	3.85 <sup>(1)</sup> 0.1516	FNTK-4062	31.4 7060	132 29700	7100	62 2.441	38.5 1.516	40 1.5748	63.5 2.500	57 2.2441	43 1.6929	0.035
45	45 1.7717	67 2.6378	3.85 <sup>(1)</sup> 0.1516	FNTK-4567	37.8 8500	173 38900	6400	67 2.638	43.5 1.713	45 1.7717	68.5 2.697	63 2.480	47 1.850	0.039
50	50 1.9685	72 2.8346	3.85 <sup>(1)</sup> 0.1516	FNTK-5072	37.9 8520	179 40200	5900	72 2.835	48.5 1.909	50 1.9685	73.5 2.894	68 2.6772	52 2.0472	0.042
55	55 2.1654	80 3.150	3.85 <sup>(1)</sup> 0.1516	FNTK-5580	48.5 10900	254 57100	5300	80 3.150	53.5 2.106	55 2.1654	81.5 3.209	76 2.9921	57 2.2441	0.053

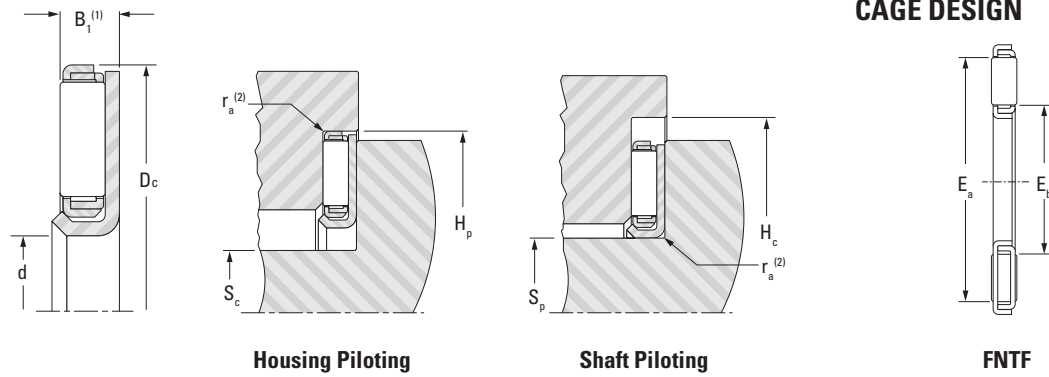
Shaft Dia.	D <sub>c1</sub>	D	B <sub>1</sub>	Assembly Designation	Load Ratings		Speed Rating	Mounting Dimensions				Contact Dimensions Nominal		Approx. Wt.
					Dynamic	Static		Housing Piloting		Shaft Piloting		E <sub>a</sub>	E <sub>b</sub>	
								H <sub>p</sub>	S <sub>c</sub> <sup>(3)</sup>	S <sub>p</sub>	H <sub>c</sub> <sup>(3)</sup>			
					C	C <sub>0</sub>		—	Max.	—	Min.	mm in	mm in	
mm	mm in	mm in	mm in		kN lbf	min <sup>-1</sup>	mm in	mm in	mm in	mm in	mm in	mm in	kg lbs	
25	25	39.5	3.3	TVK2540J	16	54.1	11000	39.5	23.5			36	26	0.012
25.8	25.8	42	2.784	TVK2642J	14.6	57	11000	42	24.3			37	27	0.013
33.7	33.7	48.2	2.784	TVK3448J-1	15.6	66.2	9000	48.2	32.2			45	35	0.014
35	35	53	2.8	TVK3553J-1	13.8	57.2	5000	53	33.5			49	37	0.017
38	38	52	2.8	TVK3852J-1	13.9	58.5	8000	52	36.5			48	39	0.015

(1) To be measured under a 2.0 kN (450 lbf) load.  
 (2) r<sub>a</sub> = 0.500 mm max. (0.0197 in max.).  
 (3) S<sub>c</sub>=D<sub>c1</sub>-1.5mm, H<sub>c</sub>=D+1.5mm

(1) To be measured under a 2.0 kN (450 lbf) load.  
 (2) r<sub>a</sub> = 0.500 mm max. (0.0197 in max.).  
 (3) S<sub>c</sub>=D<sub>c1</sub>-1.5mm, H<sub>c</sub>=D+1.5mm

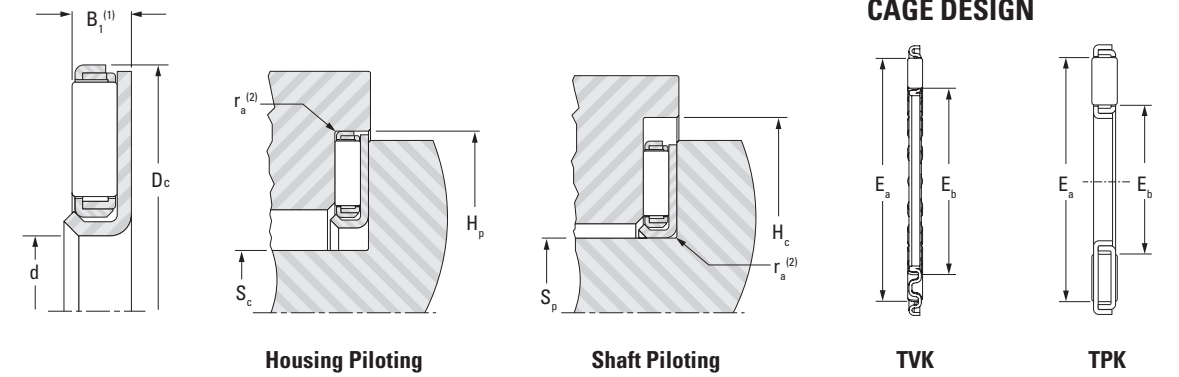
UNITIZED THRUST BEARING

METRIC SERIES  
FNTF SERIES



UNITIZED THRUST BEARING

METRIC SERIES  
TPK L,  
TVK L SERIES



Shaft Dia.	d	Dc	B1	Assembly Designation	Load Ratings		Speed Rating	Mounting Dimensions				Contact Dimensions Nominal		Approx. Wt.
					Dynamic	Static		Housing Piloting		Shaft Piloting		Ea	Eb	
								Hp	Sc <sup>(3)</sup>	Sp	Hc <sup>(3)</sup>			
					C	Co		—	Max.	—	Min.	mm in	mm in	
10	10 0.394	26 1.024	2.85 <sup>(1)</sup> 0.112	FNTF-1026	9.88 2220	29.0 6520	16000	26 1.024	8.5 0.335	10 0.394	27.5 1.083	25 0.984	14 0.551	0.006
13	13 0.512	28 1.102	2.85 <sup>(1)</sup> 0.112	FNTF-1328	10.1 2270	31.3 7040	15000	28 1.102	11.5 0.453	13 0.512	29.5 1.161	27 1.063	17 0.669	0.007
15	15 0.591	30 1.181	2.85 <sup>(1)</sup> 0.112	FNTF-1530	10.8 2430	34.8 7820	14000	30 1.181	13.5 0.531	15 0.591	31.5 1.240	29 1.142	19 0.748	0.008
18	18 0.709	35 1.378	2.85 <sup>(1)</sup> 0.112	FNTF-1835	13.8 3100	50.3 11300	12000	35 1.378	16.5 0.650	18 0.709	36.5 1.437	34 1.339	22 0.866	0.011
23	23 0.906	42 1.654	2.85 <sup>(1)</sup> 0.112	FNTF-2342	18.0 4050	75.3 16900	9700	42 1.654	21.5 0.846	23 0.906	43.5 1.713	41 1.614	27 1.063	0.014
28	28 1.102	47 1.850	2.85 <sup>(1)</sup> 0.112	FNTF-2847	18.6 4180	82.4 18500	8900	47 1.850	26.5 1.043	28 1.102	48.5 1.909	46 1.811	32 1.260	0.017
33	33 1.299	52 2.047	2.85 <sup>(1)</sup> 0.112	FNTF-3352	21.6 4860	104 23400	7900	52 2.047	31.5 1.240	33 1.299	53.5 2.106	51 2.008	37 1.457	0.019
38	38 1.496	60 2.362	3.85 <sup>(1)</sup> 0.152	FNTF-3860	31.4 7060	132 29700	7100	60 2.362	36.5 1.437	38 1.496	61.5 2.421	57 2.244	43 1.693	0.033
43	43 1.693	65 2.559	3.85 <sup>(1)</sup> 0.152	FNTF-4365	37.8 8500	173 38900	6400	65 2.559	41.5 1.634	43 1.693	66.5 2.618	63 2.480	47 1.850	0.038
48	48 1.890	70 2.756	3.85 <sup>(1)</sup> 0.152	FNTF-4870	37.9 8520	179 40200	5900	70 2.756	46.5 1.831	48 1.890	71.5 2.815	68 2.677	52 2.047	0.041
53	53 2.087	78 3.071	3.85 <sup>(1)</sup> 0.152	FNTF-5378	48.5 10900	254 57100	5300	78 3.071	51.5 2.028	53 2.087	79.5 3.130	76 2.992	57 2.244	0.053

Shaft Dia.	d	Dc	B1	Assembly Designation	Load Ratings		Speed Rating	Mounting Dimensions				Contact Dimensions Nominal		Approx. Wt.	
					Dynamic	Static		Housing Piloting		Shaft Piloting		Ea	Eb		
								Hp	Sc <sup>(3)</sup>	Sp	Hc <sup>(3)</sup>				
					C	Co		—	Max.	—	Min.	mm in	mm in		
18.1	18.1	31.6	2.8	TPK1832L	8.70	27.1	14000				18.1	33.1	30	22	0.008
22	22	41	2.8	TPK2241L	15.0	59.4	10000				22	42.5	38	28	0.015
29	29	49	3.8	TVK2949L	24.7	90.8	8000				29	50.5	47	35	0.022
30.1	30.1	45.5	2.784	TPK3046L-3	14.1	58	9000				30.1	47	43	35	0.014
30.5	30.5	55.68	5.3	TPK3156L	40.7	135	8000				30.5	57.18	53	38	0.050
32.9	32.9	53.1	2.784	TVK3353L	20.8	101	8000				32.9	54.6	51	40	0.020
37.4	37.4	57.3	2.784	TVK3757L	21.9	110	7000				37.4	58.8	56	44	0.023
57	57	71	2.784	TVK5771L	16.8	85.6	6000				57	72.5	70	61	0.020
63	63	78	2.8	TVK6378L	15.7	80.1	5000				63	79.5	76	68	0.023

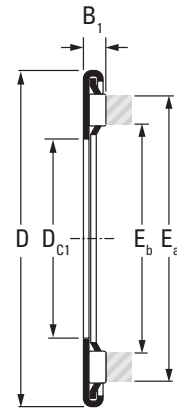
(1) To be measured under a 2.0 kN (450 lbf) load.  
 (2) ra = 0.500 mm max. (0.0197 in max.).  
 (3) Sc=d-1.5mm, Hc=Dc+1.5mm

(1) To be measured under a 2.0 kN (450 lbf) load.  
 (2) ra = 0.500 mm max. (0.0197 in max.).  
 (3) Sc=d-1.5mm, Hc=Dc+1.5mm

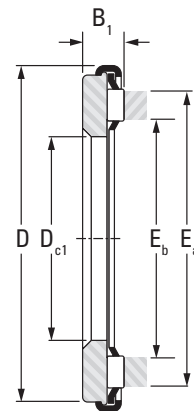


UNITIZED THRUST BEARING TYPE AX

METRIC SERIES



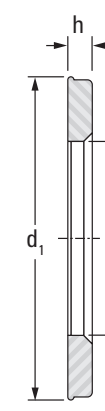
AX Thin series



AX Thick series



CP Thin series



CP Thick series

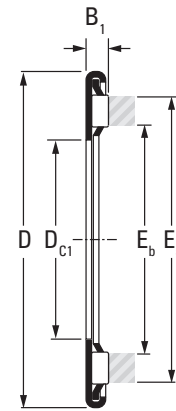
Shaft Dia.	D <sub>c1</sub>	D	E <sub>a</sub>	E <sub>b</sub>	B <sub>1</sub>	Bearing Designation		Wt.	C		C <sub>o</sub>	Speed Rating Oil
						Thin	Thick		Load Ratings			
									Dynamic	Static		
<b>mm</b>	<b>mm in</b>	<b>mm in</b>	<b>mm in</b>	<b>mm in</b>	<b>mm in</b>			<b>kg lbs</b>	<b>kN lbf</b>		<b>min<sup>-1</sup></b>	
5	5 0.197	13 0.512	10.9 0.43	6.3 0.25	2.3 0.091	AX 5 13		0.001 0.002	3.00 670	5.70 1280	25000	
	5 0.197	13 0.512	10.9 0.43	6.3 0.25	3.5 0.138		AX 3,5 5 13	0.002 0.004	3.00 670	5.70 1280	25000	
6	6 0.236	14 0.551	11.9 0.47	7.3 0.29	2.3 0.091	AX 6 14		0.001 0.002	3.15 710	6.35 1430	22000	
	6 0.236	14 0.551	11.9 0.47	7.3 0.29	3.5 0.138		AX 3,5 6 14	0.002 0.004	3.15 710	6.35 1430	22000	
7	7 0.276	15 0.591	12.9 0.51	8.3 0.33	2.3 0.091	AX 7 15		0.002 0.004	3.55 800	7.60 1710	22000	
	7 0.276	15 0.591	12.9 0.51	8.3 0.33	3.5 0.138		AX 3,5 7 15	0.003 0.007	3.55 800	7.60 1710	22000	
8	8 0.315	16 0.630	13.9 0.55	9.3 0.37	2.3 0.091	AX 8 16		0.002 0.004	3.70 830	8.30 1870	22000	
	8 0.315	16 0.630	13.9 0.55	9.3 0.37	3.5 0.138		AX 3,5 8 16	0.003 0.007	3.70 830	8.30 1870	22000	
9	9 0.354	17 0.669	14.9 0.59	10.3 0.41	2.3 0.091	AX 9 17		0.002 0.004	4.05 910	9.50 2140	19000	
	9 0.354	17 0.669	14.9 0.59	10.3 0.41	3.5 0.138		AX 3,5 9 17	0.004 0.009	4.05 910	9.50 2140	19000	
10	10 0.394	22 0.866	18.6 0.73	12.0 0.47	4.0 0.158		AX 4 10 22	0.007 0.015	5.00 1120	10.90 2450	15500	
12	12 0.472	26 1.024	22.6 0.89	15.0 0.59	2.8 0.110	AX 12 26		0.006 0.013	6.90 1550	17.70 3980	13000	
	12 0.472	26 1.024	22.6 0.89	15.0 0.59	4.0 0.158		AX 4 12 26	0.010 0.022	6.90 1550	17.70 3980	13000	
13	13 0.512	26 1.024	22.6 0.89	15.0 0.59	2.8 0.110	AX 13 26		0.006 0.013	6.90 1550	17.70 3980	13000	
	13 0.512	26 1.024	22.6 0.89	15.0 0.59	4.0 0.158		AX 4 13 26	0.010 0.022	6.90 1550	17.70 3980	13000	
15	15 0.591	28 1.102	24.6 0.97	17.0 0.67	2.8 0.110	AX 15 28		0.007 0.015	7.40 1660	20.00 4500	11500	

d	d <sub>1</sub>	h	Wt.	Washer Designation		Washer Designation Precision	h	Precision Wt.	Shaft Dia.
				Thin	Thick				
<b>mm in</b>	<b>mm in</b>	<b>mm in</b>	<b>kg lbs</b>				<b>mm in</b>	<b>kg lbs</b>	<b>mm</b>
5 0.197	12.4 0.488	0.8 0.032	0.001 0.002	CP 5 13					5
5 0.197	12.4 0.488	2.0 0.079	0.002 0.004		CP 2 5 13				
6 0.236	13.4 0.528	0.8 0.032	0.001 0.002	CP 6 14					6
6 0.236	13.4 0.528	2.0 0.079	0.002 0.004		CP 2 6 14				
7 0.276	14.4 0.567	0.8 0.032	0.001 0.002	CP 7 15					7
7 0.276	14.4 0.567	2.0 0.079	0.002 0.004		CP 2 7 15				
8 0.315	15.4 0.606	0.8 0.032	0.001 0.002	CP 8 16					8
8 0.315	15.4 0.606	2.0 0.079	0.002 0.004		CP 2 8 16				
9 0.354	16.4 0.646	0.8 0.032	0.001 0.002	CP 9 17					9
9 0.354	16.4 0.646	2.0 0.079	0.002 0.004		CP 2 9 17				
10 0.394	21.5 0.847	2.0 0.079	0.002 0.004		CP 2 10 22				10
12 0.472	25.5 1.004	0.8 0.032	0.003 0.007	CP 12 26		CPN 2 12 26	2.0 0.079	0.006 0.013	12
12 0.472	25.5 1.004	2.0 0.079	0.006 0.013		CP 2 12 26				
13 0.512	25.5 1.004	0.8 0.032	0.002 0.004	CP 13 26					13
13 0.512	25.5 1.004	2.0 0.079	0.006 0.013		CP 2 13 26				
15 0.591	27.5 1.083	0.8 0.032	0.003 0.007	CP 15 28		CPN 2 15 28	2.0 0.079	0.006 0.013	15

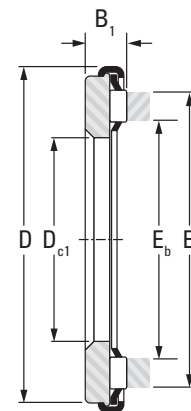
Continued on next page.

UNITIZED THRUST BEARING TYPE AX

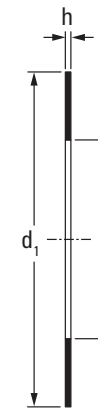
METRIC SERIES



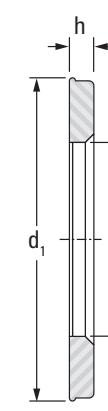
AX Thin series



AX Thick series



CP Thin series



CP Thick series

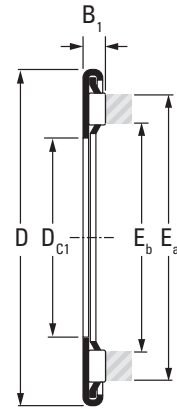
Shaft Dia.	D <sub>c1</sub>	D	E <sub>a</sub>	E <sub>b</sub>	B <sub>1</sub>	Bearing Designation		Wt.	C		Speed Rating Oil
						Thin	Thick		Load Ratings		
									Dynamic	Static	
<b>mm</b>	<b>mm in</b>	<b>mm in</b>	<b>mm in</b>	<b>mm in</b>	<b>mm in</b>			<b>kg lbs</b>	<b>kN lbf</b>	<b>min<sup>-1</sup></b>	
15	15 0.591	28 1.102	24.6 0.97	17.0 0.67	4.0 0.158		AX 4 15 28	0.009 0.020	7.40 1660	20.00 4500	11500
17	17 0.669	30 1.181	26.6 1.05	19.0 0.75	2.8 0.110		AX 17 30	0.008 0.018	7.80 1750	22.00 4950	10500
	17 0.669	30 1.181	26.6 1.05	19.0 0.75	4.0 0.158		AX 4 17 30	0.010 0.022	7.80 1750	22.00 4950	10500
19	19 0.748	32 1.260	28.6 1.13	21.0 0.83	2.8 0.110		AX 19 32	0.009 0.020	8.00 1800	23.30 5240	10000
	19 0.748	32 1.260	28.6 1.13	21.0 0.83	4.0 0.158		AX 4 19 32	0.013 0.029	8.00 1800	23.30 5240	10000
20	20 0.787	35 1.378	31.6 1.24	22.0 0.87	5.0 0.197		AX 5 20 35	0.018 0.040	11.80 2650	39.00 8770	9000
25	25 0.984	42 1.654	37.4 1.47	27.7 1.09	2.8 0.110		AX 25 42	0.012 0.026	13.30 2990	49.00 11000	7500
	25 0.984	42 1.654	37.4 1.47	27.7 1.09	5.0 0.197		AX 5 25 42	0.025 0.055	13.30 2990	49.00 11000	7500
27	27 1.063	44 1.732	39.6 1.56	30.0 1.18	2.8 0.110		AX 27 44	0.012 0.026	13.70 3080	52.00 11700	7200
30	30 1.181	47 1.850	42.4 1.67	32.7 1.29	2.8 0.110		AX 30 47	0.014 0.031	14.50 3260	57.00 12800	6500
	30 1.181	47 1.850	42.4 1.67	32.7 1.29	5.0 0.197		AX 5 30 47	0.029 0.064	14.50 3260	57.00 12800	6500
35	35 1.337	52 2.047	49.0 1.93	37.2 1.47	2.8 0.110		AX 35 52	0.019 0.042	18.90 4250	84.00 18900	5500
	35 1.337	52 2.047	49.0 1.93	37.2 1.47	5.0 0.197		AX 5 35 52	0.035 0.077	18.90 4250	84.00 18900	5500
	35 1.337	53 2.087	49.0 1.93	37.2 1.47	2.8 0.110		AX 35 53	0.019 0.042	18.90 4250	84.00 18900	5500
	35 1.337	53 2.087	49.0 1.93	37.2 1.47	5.0 0.197		AX 5 35 53	0.036 0.079	18.90 4250	84.00 18900	5500

d	d <sub>1</sub>	h	Wt.	Washer Designation		Washer Designation Precision	h	Precision Wt.	Shaft Dia.
				Thin	Thick				
<b>mm in</b>	<b>mm in</b>	<b>mm in</b>	<b>kg lbs</b>				<b>mm in</b>	<b>kg lbs</b>	<b>mm</b>
15 0.591	27.5 1.083	2.0 0.079	0.006 0.013		CP 2 15 28				
17 0.669	29.5 1.161	0.8 0.032	0.003 0.007	CP 17 30		CPN 7 17 30	7.0 0.276	0.025 0.055	17
17 0.669	29.5 1.161	2.0 0.079	0.007 0.015		CP 2 17 30				
19 0.748	31.5 1.240	0.8 0.032	0.004 0.009	CP 19 32					19
19 0.748	31.5 1.240	2.0 0.079	0.009 0.020		CP 2 19 32				
20 0.787	34.5 1.358	3.0 0.118	0.013 0.029		CP 3 20 35	CPN 3 20 35	3.0 0.118	0.013 0.029	20
25 0.984	41.5 1.634	0.8 0.032	0.005 0.011	CP 25 42		CPN 3 25 42	3.0 0.118	0.019 0.042	25
25 0.984	41.5 1.634	3.0 0.118	0.019 0.042		CP 3 25 42				
27 1.063	43.7 1.721	0.8 0.032	0.006 0.013	CP 27 44					27
30 1.181	46.5 1.831	0.8 0.032	0.006 0.013	CP 30 47		CPN 5 30 47	5.0 0.197	0.037 0.082	30
30 1.181	46.5 1.831	3.0 0.118	0.022 0.049		CP 3 30 47				
35 1.378	51.5 2.028	0.8 0.032	0.007 0.015	CP 35 52		CPN 3 35 52	3.0 0.118	0.027 0.060	31
35 1.378	51.5 2.028	3.0 0.118	0.026 0.057		CP 3 35 52				35
35 1.378	52.5 2.067	0.8 0.032	0.007 0.015	CP 35 53					
35 1.378	52.5 2.067	3.0 0.118	0.027 0.060		CP 3 35 53				

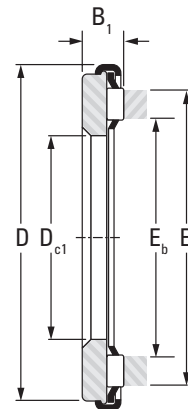
Continued on next page.

UNITIZED THRUST BEARING TYPE AX

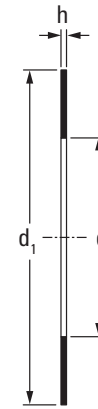
METRIC SERIES



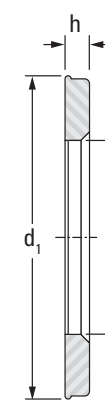
AX Thin series



AX Thick series



CP Thin series



CP Thick series

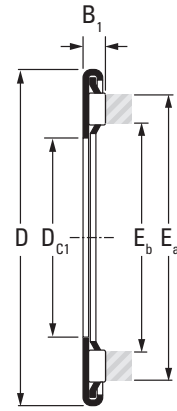
Shaft Dia.	D <sub>c1</sub>	D	E <sub>a</sub>	E <sub>b</sub>	B <sub>1</sub>	Bearing Designation		Wt.	C		C <sub>o</sub>	Speed Rating Oil
						Thin	Thick		Load Ratings			
									Dynamic	Static		
mm	mm in	mm in	mm in	mm in	mm in			kg lbs	kN lbf		min <sup>-1</sup>	
40	40 1.557	60 2.362	54.9 2.16	43.0 1.69	2.8 0.110	AX 40 60		0.024 0.053	20.40 4590	96.00 21600		5000
	40 1.557	60 2.362	54.9 2.16	43.0 1.69	5.0 0.197		AX 5 40 60	0.046 0.101	20.40 4590	96.00 21600		5000
45	45 1.772	65 2.559	59.9 2.36	48.0 1.89	2.8 0.110	AX 45 65		0.025 0.055	21.80 4900	109 24500		4500
	45 1.772	65 2.559	59.9 2.36	48.0 1.89	5.0 0.197		AX 5 45 65	0.050 0.110	21.80 4900	109 24500		4500
50	50 1.969	70 2.756	65.7 2.59	53.3 2.10	2.8 0.110	AX 50 70		0.026 0.057	22.50 5060	118 26500		4000
	50 1.969	70 2.756	65.7 2.59	53.3 2.10	5.0 0.197		AX 5 50 70	0.055 0.121	22.50 5060	118 26500		4000
55	55 2.165	78 3.071	72.5 2.85	58.4 2.30	2.8 0.110	AX 55 78		0.034 0.075	28.50 6410	164 36900		3800
	55 2.165	78 3.071	72.5 2.85	58.4 2.30	6.0 0.236		AX 6 55 78	0.089 0.196	28.50 6410	164 36900		3800
60	60 2.362	85 3.347	79.2 3.12	63.5 2.50	6.0 0.236		AX 6 60 85	0.106 0.234	31.50 7080	193 43400		3500
65	65 2.559	90 3.543	84.2 3.32	68.5 2.70	3.5 0.138	AX 3,5 65 90		0.059 0.130	33.50 7530	210 47200		3200
	65 2.559	90 3.543	84.2 3.32	68.5 2.70	6.0 0.236		AX 6 65 90	0.114 0.251	33.50 7530	210 47200		3200
70	70 2.759	95 3.740	89.2 3.51	73.5 2.89	3.5 0.138	AX 3,5 70 95		0.061 0.135	34.50 7760	223 50100		3000
	70 2.759	95 3.740	89.2 3.51	73.5 2.89	6.0 0.236		AX 6 70 95	0.120 0.265	34.50 7760	223 50100		3000
75	75 2.953	100 3.937	94.2 3.71	78.5 3.09	3.5 0.138	AX 3,5 75 100		0.065 0.143	36.00 8090	240 54000		2900
	75 2.953	100 3.937	94.2 3.71	78.5 3.09	6.0 0.236		AX 6 75 100	0.127 0.280	36.00 8090	240 54000		2900
80	80 3.150	105 4.134	99.2 3.91	83.5 3.29	3.5 0.138	AX 3,5 80 105		0.069 0.152	36.50 8210	253 56900		2700
	80 3.150	105 4.134	99.2 3.91	83.5 3.29	6.0 0.236		AX 6 80 105	0.134 0.295	36.50 8210	253 56900		2700
85	85 3.347	110 4.331	104.2 4.10	88.5 3.48	3.5 0.138	AX 3,5 85 110		0.078 0.172	38.00 8540	270 60700		2600

d	d <sub>1</sub>	h	Wt.	Washer Designation		Washer Designation Precision	h	Precision Wt.	Shaft Dia.
				Thin	Thick				
mm in	mm in	mm in	kg lbs				mm in	kg lbs	mm
40 1.575	59.5 2.343	0.8 0.032	0.009 0.020	CP 40 60		CPN 3 40 60	3.0 0.118	0.034 0.075	40
40 1.575	59.5 2.343	3.0 0.118	0.034 0.075		CP 3 40 60				
45 1.772	64.4 2.535	0.8 0.032	0.010 0.022	CP 45 65		CPN 3 45 65	3.0 0.118	0.037 0.082	45
45 1.772	64.4 2.535	3.0 0.118	0.037 0.082		CP 3 45 65				
50 1.969	69.4 2.732	0.8 0.032	0.011 0.024	CP 50 70					50
50 1.969	69.4 2.732	3.0 0.118	0.040 0.088		CP 3 50 70				
55 2.165	77.4 3.047	0.8 0.032	0.014 0.031	CP 55 78					55
55 2.165	77.4 3.047	4.0 0.158	0.069 0.152		CP 4 55 78				
60 2.362	84.3 3.319	4.0 0.158	0.083 0.183		CP 4 60 85				60
65 2.559	89.3 3.516	1.5 0.059	0.033 0.073	CP 1,5 65 90					65
65 2.559	89.3 3.516	4.0 0.158	0.088 0.194		CP 4 65 90				
70 2.756	94.3 3.713	1.5 0.059	0.034 0.075	CP 1,5 70 95		CPN 4 70 95	4.0 0.158	0.093 0.205	70
70 2.756	94.3 3.713	4.0 0.158	0.093 0.205		CP 4 70 95				
75 2.953	99.3 3.909	1.5 0.059	0.037 0.082	CP 1,5 75 100					75
75 2.953	99.3 3.909	4.0 0.158	0.099 0.218		CP 4 75 100				
80 3.150	104.3 4.106	1.5 0.059	0.039 0.086	CP 1,5 80 105					80
80 3.150	104.3 4.106	4.0 0.158	0.104 0.229		CP 4 80 105				
85 3.347	109.3 4.303	1.5 0.059	0.047 0.104	CP 1,5 85 110					85

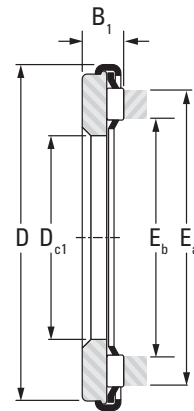
Continued on next page.

UNITIZED THRUST BEARING TYPE AX

METRIC SERIES



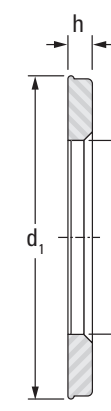
AX Thin series



AX Thick series



CP Thin series



CP Thick series

Shaft Dia.	D <sub>c1</sub>	D	E <sub>a</sub>	E <sub>b</sub>	B <sub>1</sub>	Bearing Designation		Wt.	C		C <sub>o</sub>	Speed Rating Oil
						Thin	Thick		Load Ratings			
									Dynamic	Static		
mm	mm in	mm in	mm in	mm in	mm in			kg lbs	kN lbf		min <sup>-1</sup>	
85	85 3.347	110 4.331	104.2 4.10	88.5 3.48	6.0 0.236		AX 6 85 110	0.142 0.313	38.00 8540	270 60700	2600	
90	90 3.543	120 4.724	112.9 4.45	94.2 3.71	4.5 0.177		AX 4,5 90 120	0.117 0.258	59.00 13300	360 80900	2400	
	90 3.543	120 4.724	112.9 4.45	94.2 3.71	8.0 0.315		AX 8 90 120	0.238 0.525	59.00 13300	360 80900	2400	
100	100 3.937	135 5.315	127.3 5.01	104.2 4.10	9.0 0.354		AX 9 100 135	0.364 0.803	73.00 16400	490 110000	2100	
110	110 4.331	145 5.709	137.3 5.41	114.2 4.50	4.5 0.177		AX 4,5 110 145	0.168 0.370	77.00 17300	550 124000	2000	
	110 4.331	145 5.709	137.3 5.41	114.2 4.50	9.0 0.354		AX 9 110 145	0.393 0.867	77.00 17300	550 124000	2000	
120	120 4.724	155 6.102	147.3 5.80	124.2 4.89	4.5 0.177		AX 4,5 120 155	0.182 0.401	80.00 18000	590 133000	1800	
	120 4.724	155 6.102	147.3 5.80	124.2 4.89	9.0 0.354		AX 9 120 155	0.424 0.935	80.00 18000	590 133000	1800	
130	130 5.118	170 6.693	161.0 6.34	135.0 5.32	11.0 0.433		AX 11 130 170	0.660 1.455	106 23800	710 160000	1700	
140	140 5.512	180 7.087	171.0 6.73	145.0 5.71	9.0 0.354		AX 11 140 180	0.670 1.477	111 25000	770 173000	1600	
150	150 5.906	190 7.480	181.0 7.13	155.0 6.10	9.0 0.354		AX 11 150 190	0.710 1.566	115 25900	830 187000	1500	
160	160 6.299	200 7.874	191.0 7.52	165.0 6.50	9.0 0.354		AX 11 160 200	0.760 1.676	118 26500	870 196000	1400	
170	170 6.693	215 8.465	207.0 8.15	175.0 6.89	12.0 0.472		AX 12 170 215	1.000 2.205	165 37100	1160 261000	1300	
180	180 7.087	225 8.858	217.0 8.54	185.0 7.28	12.0 0.472		AX 12 180 225	1.050 2.315	173 38900	1250 281000	1200	
190	190 7.480	240 9.449	232.0 9.13	196.0 7.72	13.9 0.547		AX 14 190 240	1.400 3.087	230 51700	1650 371000	1200	
200	200 7.874	250 9.843	242.0 9.53	206.0 8.11	13.9 0.547		AX 14 200 250	1.500 3.308	239 53700	1730 389000	1100	
220	220 8.661	270 10.630	262.0 10.32	226.0 8.90	13.9 0.547		AX 14 220 270	1.600 3.528	248 55800	1850 416000	1000	
240	240 9.449	300 11.811	286.0 11.26	246.0 9.69	14.9 0.587		AX 15 240 300	2.300 5.072	280 62900	2240 504000	900	

d	d <sub>1</sub>	h	Wt.	Washer Designation		Washer Designation Precision	h	Precision Wt.	Shaft Dia.
				Thin	Thick				
85	109.3 3.347	4.0 0.158	0.111 0.245		CP 4 85 110				
90	118.8 3.543	1.5 0.059	0.052 0.115		CP 1,5 90 120			90	
90	118.8 3.543	5.0 0.197	0.173 0.381		CP 5 90 120				
100	133.8 3.937	6.0 0.236	0.277 0.611		CP 6 100 135			100	
110	143.8 4.331	1.5 0.059	0.075 0.165		CP 1,5 110 145			110	
110	143.8 4.331	6.0 0.236	0.300 0.662		CP 6 110 145				
120	153.8 4.724	1.5 0.059	0.081 0.179		CP 1,5 120 155			120	
120	153.8 4.724	6.0 0.236	0.323 0.712		CP 6 120 155				
130	168.7 5.118	7.0 0.276	0.480 1.058		CP 7 130 170			130	
140	178.7 5.512	7.0 0.276	0.500 1.103		CP 7 140 180			140	
150	188.7 5.906	7.0 0.276	0.530 1.169		CP 7 150 190			150	
160	198.7 6.299	7.0 0.276	0.560 1.235		CP 7 160 200			160	
170	213.5 6.693	7.0 0.276	0.700 1.544		CP 7 170 215			170	
180	223.5 7.087	7.0 0.276	0.735 1.621		CP 7 180 225			180	
190	238.3 7.480	8.0 0.315	0.950 2.095		CP 8 190 240			190	
200	248.3 7.874	8.0 0.315	1.000 2.205		CP 8 200 250			200	
220	268.3 8.661	8.0 0.315	1.100 2.426		CP 8 220 270			220	
240	298.5 9.449	9.0 0.354	1.600 3.528		CP 9 240 300			240	

### CYLINDRICAL ROLLER THRUST BEARINGS AND THEIR COMPONENTS

#### METRIC SERIES

Cylindrical roller thrust bearings provide rolling bearing arrangements that accommodate high-dynamic axial loads. The simple geometry of the bearing components allows the use of many design arrangements. As an example, for less demanding applications, it is possible to combine metric series, thrust cylindrical roller and cage assemblies, including the metric series heavy thrust washers (LS, CPR) and even the metric series thin thrust washers (AS, CP). These two thrust washer types are more commonly used with thrust needle roller and cage assemblies. Thrust cylindrical roller and cage assemblies also can be used without bearing thrust washers if the adjacent machine components can be prepared to serve as suitable raceways.

Cylindrical roller thrust bearings may be used where the load carrying capability of thrust needle roller and cage assemblies is insufficient. Also, the bearings can accommodate high-dynamic and static axial loads in one direction, but they are not suitable to transmit radial loads.

#### REFERENCE STANDARDS ARE:

- **ISO 104** – rolling bearings – thrust bearings – boundary dimensions, general plan.
- **ISO 199** – rolling bearings – thrust bearings – tolerances.
- **DIN 616** – rolling bearings – general plan for boundary dimensions.
- **DIN 722** – rolling bearing – thrust cylindrical roller bearings – single direction.

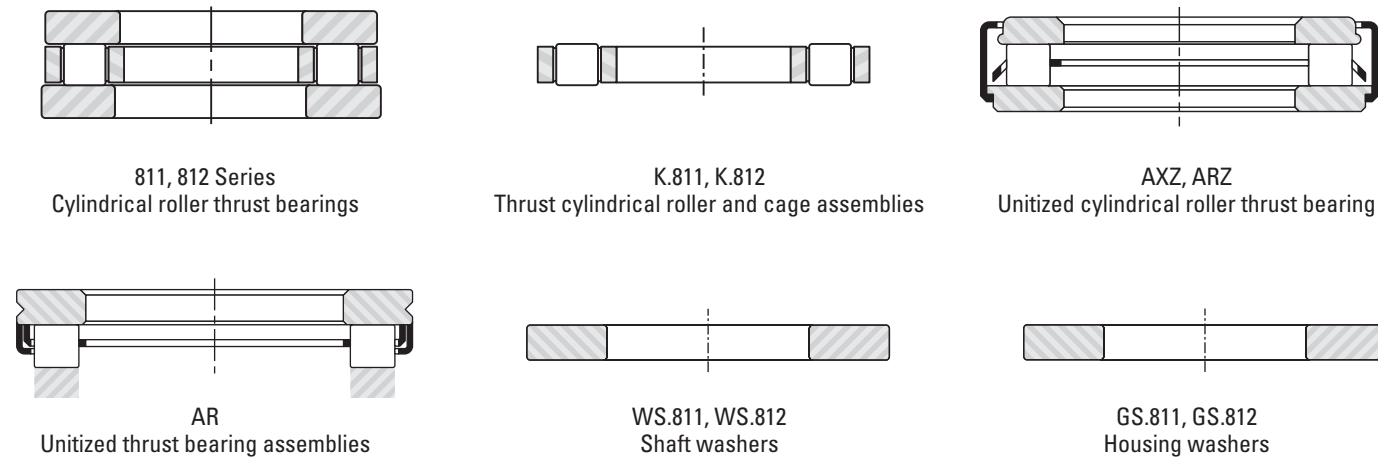


Fig. B6-3. Types of metric series cylindrical roller thrust bearings and their components

Suffixes	
LPB	Machined light metal window-type cage.
TVP	Molded window-type cage of glass reinforced nylon.

### CONSTRUCTION

#### BASIC DESIGNS

Cylindrical roller thrust bearings of dimension series 811 and 812 comprise a thrust cylindrical roller and cage assembly (K), a shaft washer (WS) and a housing washer (GS). Providing the backup surfaces can be hardened and ground, they can be used as raceways for the cylindrical rollers of the thrust cylindrical roller and cage assembly resulting in a compact bearing arrangement.

Series AR is available with thin or thick CP washers or heavy CPR thrust washers.

Thrust bearing types AXZ and ARZ each have two thrust washers retained by an integral cap – giving protection against the entry of dirt and metal particles, while helping to retain the lubricant.

#### CAGE DESIGNS

Metric series 811 and 812 cylindrical roller thrust bearings use molded cages of glass-fiber reinforced-nylon 6/6 (suffix TVP) or machined cages of light metal (suffix LPB). The cages are designed to be piloted on the shaft. The reinforced nylon cages can be used at temperatures up to 120° C (250° F) continuously for extended periods. When lubricating these bearings with oil, it should be ensured that the oil does not contain additives detrimental to the cage over extended life at operating temperatures higher than 100° C (212° F). Also, care should be exercised that oil change intervals are observed as old oil may reduce cage life at such temperatures.

The rolling elements of the AR series thrust bearings are retained and guided in radial pockets within the cage. The cage is retained in relation to the thrust washer by means of a retaining cap. The design of a one-piece steel cage employs a special curvature that guides the rolling elements, by their ends, along their centerlines.

In addition, this special curvature gives the steel cage great rigidity, while providing maximum lubricant space. This unitized assembly of components facilitates installation and provides a high-axial load capacity while occupying only minimal space.

AR series cylindrical roller thrust bearings with a thin washer are of minimal thickness and provide excellent economy. They should be considered whenever the degree of support and rotational accuracy requirement allow.

### BEARING THRUST WASHERS

#### SHAFT WASHERS AND HOUSING WASHERS

Shaft washers of types WS.811 and WS.812, as well as housing washers of types GS.811 and GS.812, are components of the metric series cylindrical roller thrust bearings of series 811 and 812. They are made of bearing-quality steel – with hardened, precision-ground and lapped-flat raceway surfaces. The tolerances of the thrust bearing bore and outer diameter shown in Table B6-8 and Table B6-9 (see next page) apply to shaft- and housing-piloted metric series washers.

#### HEAVY THRUST WASHERS (LS), THIN THRUST WASHERS (AS)

These thrust washers are more frequently used with thrust needle roller and cage assemblies of metric series FNT or AXK. They also are suitable for use with the thrust cylindrical roller and cage assemblies K.811. The heavy thrust washer of series LS are made of bearing-quality steel – hardened and precision-ground on the flat raceway surfaces. The bore and outer diameters of the heavy thrust washers are not ground. Therefore, when used with K.811 type assemblies, they are only suggested where accurate centering is not required. The thin thrust washers of series AS may be used in applications where the loads are light. Both types of these washers are listed in the tabular part of the metric series thrust needle roller and cage assemblies section.

#### THIN/THICK (CP) AND HEAVY (CPR) THRUST WASHERS

The washer incorporated in the AR series thrust bearing is made from hardened bearing steel and forms one of the raceways for the rolling elements. The opposing raceway is generally provided by a separate thrust washer of similar design supplied by JTEKT. When the AR series thrust bearing is piloted by the revolving part, the thrust washer must be piloted by the stationary part and vice versa. If the revolving part and the stationary part are noticeably eccentric to each other, the thrust bearing with integral washer must – without exception – be piloted by the revolving part.

The second raceway for the rolling elements may also be formed by the face of a shoulder or an inserted washer – provided these have the correct hardness and geometrical dimensions.

DIMENSIONAL ACCURACY

The tolerances for the metric series cylindrical roller thrust bearing bore and outer diameter shown in Table B6-8 and B6-9 apply to shaft-piloted washers of series WS.811 and WS.812, as well as housing-piloted washers of series GS.811 and GS.812. Tolerances for the bore diameter of series K.811 and K.812 thrust assemblies are given on page B-6-38.

The tolerances for the bore and outer diameter of series AS thrust washers are shown in Table B6-10 below. The tolerances for the bore and outer diameter of series LS thrust washers are given in Table B6-12 on page B-6-37. Bore inspection procedures for thin thrust washers (AS) and heavy thrust washers (LS) are given on page B-6-8.

Table B6-8. Tolerances of cylindrical roller thrust bearings - shaft piloted washer - metric series

Nominal bore diameter d	Tolerance class PO (normal tolerance)				Tolerance class P6				Tolerance class P5				
	Deviations		Variation		Deviations		Variation		Deviations		Variation		
	Max.	Min.	Max.	Min.	Max.	Min.	Max.	Min.	Max.	Min.	Max.	Min.	
>	mm	mm	mm	mm	mm	mm	mm	mm	mm	mm	mm	mm	mm
<	mm	mm	mm	mm	mm	mm	mm	mm	mm	mm	mm	mm	mm
18.000	0.000	-0.008	0.006	0.010	0.000	-0.008	0.006	0.005	0.000	-0.008	0.006	0.003	0.001
30.000	0.000	-0.010	0.008	0.010	0.000	-0.010	0.008	0.005	0.000	-0.010	0.008	0.003	0.001
50.000	0.000	-0.012	0.009	0.010	0.000	-0.012	0.009	0.006	0.000	-0.012	0.009	0.003	0.001
80.000	0.000	-0.015	0.011	0.010	0.000	-0.015	0.011	0.007	0.000	-0.015	0.011	0.004	0.002
120.000	0.000	-0.020	0.015	0.015	0.000	-0.020	0.015	0.008	0.000	-0.020	0.015	0.004	0.002
180.000	0.000	-0.025	0.019	0.015	0.000	-0.025	0.019	0.009	0.000	-0.025	0.019	0.005	0.002
250.000	0.000	-0.030	0.023	0.020	0.000	-0.030	0.023	0.010	0.000	-0.030	0.023	0.005	0.002
315.000	0.000	-0.035	0.026	0.025	0.000	-0.035	0.026	0.013	0.000	-0.035	0.026	0.007	0.003
400.000	0.000	-0.040	0.030	0.030	0.000	-0.040	0.030	0.015	0.000	-0.040	0.030	0.007	0.003
500.000	0.000	-0.045	0.034	0.030	0.000	-0.045	0.034	0.018	0.000	-0.045	0.034	0.009	0.003

\* The values of the wall thickness variation Se, for the housing piloted washer are identical to Si for the shaft - piloted washers.

Table B6-9. Tolerances of cylindrical roller thrust bearings - housing piloted washer - metric series

Nominal outside diameter D	Tolerance class PO (normal tolerance)		Tolerance class P6		Tolerance class P5	
	Deviations	Variation	Deviations	Variation	Deviations	Variation
	Max.	Min.	Max.	Min.	Max.	Min.
>	mm	mm	mm	mm	mm	mm
<	mm	mm	mm	mm	mm	mm
30.000	0.000	-0.013	0.010	0.010	0.000	-0.013
50.000	0.000	-0.016	0.012	0.012	0.000	-0.016
80.000	0.000	-0.019	0.014	0.014	0.000	-0.019
120.000	0.000	-0.022	0.017	0.017	0.000	-0.022
180.000	0.000	-0.025	0.019	0.019	0.000	-0.025
250.000	0.000	-0.030	0.023	0.023	0.000	-0.030
315.000	0.000	-0.035	0.026	0.026	0.000	-0.035
400.000	0.000	-0.040	0.030	0.030	0.000	-0.040
500.000	0.000	-0.045	0.034	0.034	0.000	-0.045

Table B6-10. Tolerances for outer diameter (d1) and bore diameter (d) of series AS thrust washers

d1	Deviations of max. O.D. (e13)		d	Deviations of min. bore diameter (E13)	
	Max.	Min.		Max.	Min.
	mm	mm		mm	mm
>	mm	mm	>	mm	mm
<	mm	mm	<	mm	mm
18.000	-0.040	-0.370	3.000	+0.200	+0.020
30.000	-0.050	-0.440	6.000	+0.245	+0.025
50.000	-0.060	-0.520	10.000	+0.302	+0.032
80.000	-0.072	-0.612	18.000	+0.370	+0.040
120.000	-0.085	-0.715	30.000	+0.440	+0.050
180.000	-0.100	-0.820	50.000	+0.520	+0.060
250.000	-0.115	-0.930	80.000	+0.612	+0.072
315.000	-0.130	-1.045	120.000	+0.715	+0.085
400.000	-0.145	-1.160	180.000	+0.820	+0.100
500.000	-0.160	-1.275	250.000	+0.930	+0.115

Table B6-11. AR Series thickness and axial run-out tolerances

Bearing type	Bore Dc1 mm	Thickness Tolerance µm	Axial run-out µm	
			Quality	HP
Roller thrust bearings (thin)	≤ 60	+30 / -40 <sup>1)</sup>	20 <sup>1)</sup>	
	60 < Dc1 ≤ 90	+50 / -60 <sup>2)</sup>	25 <sup>2)</sup>	
	90 < Dc1 ≤ 120	+50 / -60 <sup>2)</sup>	30 <sup>2)</sup>	
Roller thrust bearings (thick)	Dc1 ≤ 60	+30 / -30 <sup>1)</sup>	20 <sup>1)</sup>	
	60 < Dc1 ≤ 90	+50 / -50 <sup>2)</sup>	25 <sup>2)</sup>	
	90 < Dc1 ≤ 120	+50 / -50 <sup>2)</sup>	30 <sup>2)</sup>	
Thrust washers (thin) [thick]	Dc1 ≤ 120	+50 / -60[-50]	5*	2
	120 < Dc1 ≤ 180	+50 / -110[-100]	7*	3
	180 < Dc1 ≤ 250	+50 / -160[-150]	10*	4

\* High precision quality. <sup>1)</sup> Under min. load of 150 N. <sup>2)</sup> Under min. load of 250 N.

Table B6-12. Tolerances for outer diameter (d1) and bore diameter (d) of series LS heavy thrust washers

d1	Deviations of max. O.D. (a12)		d	Deviations of min. bore diameter (E12)	
	Max.	Min.		Max.	Min.
	mm	mm		mm	mm
>	mm	mm	>	mm	mm
<	mm	mm	<	mm	mm
18.000	-0.300	-0.510	3.000	+0.140	+0.020
30.000	-0.310	-0.560	6.000	+0.175	+0.025
50.000	-0.320	-0.570	10.000	+0.212	+0.032
80.000	-0.340	-0.640	18.000	+0.250	+0.040
120.000	-0.360	-0.660	30.000	+0.300	+0.050
180.000	-0.380	-0.730	50.000	+0.360	+0.060
250.000	-0.410	-0.760	80.000	+0.422	+0.072
315.000	-0.460	-0.860	120.000	+0.485	+0.085
400.000	-0.520	-0.920	180.000	+0.580	+0.100
500.000	-0.580	-0.980	250.000	+0.660	+0.120

Thickness tolerances for series LS heavy thrust washers are given in bearing tables.

MOUNTING TOLERANCES

Shaft and housing tolerances for mounting metric series thrust cylindrical roller and cage assemblies are given in Table B6-13, shown below. If the cylindrical rollers of the thrust cylindrical roller and cage assemblies are to run directly on the adjacent support surfaces, they must be hardened to at least 58 HRC.

Table B6-13. Mounting tolerances for shafts and housings for metric series components

Bearing components	Shaft tolerance (shaft piloting)	Housing tolerance (housing piloting)
Thrust cylindrical roller and cage assembly. Types: K.811 and K.812	h8	H10
Thrust cylindrical roller and cage assembly. Types: AR, AXZ, and ARZ	h10	H10
Thin thrust washer. Type: AS	h10	H11
Heavy thrust washer. Type: LS	h10	H11
Shaft-piloted thrust washer. Type: WS.811	h6 (j6)	Clearance
Housing-piloted thrust washer. Type: GS.811	Clearance	H7 (K7)
Thick, thin and heavy series thrust washers. Types: CP and CPR	h10	H10 required

The backup surfaces for the shaft washers WS.811 and WS.812 as well as the housing washers GS.811 and GS.812 of cylindrical roller thrust bearings must be square with the axis of the shaft. Equally important, the raceway or the surface backing the thrust washer must not be dished or coned. The permissible limits of the squareness and dishing or coning are shown in figures below. When using the thin (AS) thrust washers the cylindrical rollers of the thrust cage assembly must be supported over their entire length.

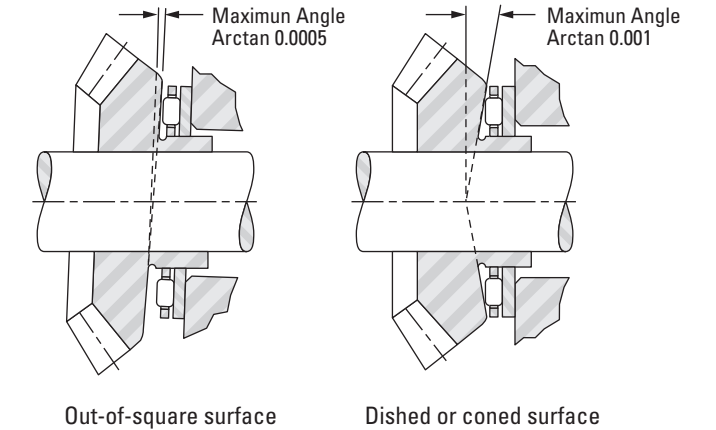


Fig. B6-4. Permissible limits

Bearing thrust washers should make close contact with the shaft or housing shoulder and must not touch the fillet radius. Therefore, the maximum fillet radius  $r_{a \max}$  must be no greater than the minimum chamfer  $r_{s \min}$  of the shaft washer (WS) and the housing washer (GS). See tabular pages B-6-39 and B-6-41.

Since roller thrust bearings generally run under considerable loads their incorporated washer (and thrust washer) should be supported on a shoulder covering the whole area of circulation of the rollers.

LOAD RATINGS

MINIMUM AXIAL LOAD

To prevent slippage, a cylindrical roller thrust bearing must always be axially loaded. For satisfactory operation, a certain minimum load must be applied between the cylindrical rollers and their raceways. This can be calculated from:

$$F_{a \min} = C_0/2200 \text{ [kN]}$$

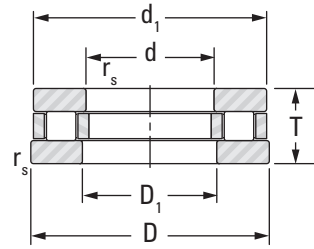
Where:

$$C_0 = \text{static load rating [kN]}$$

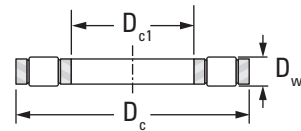
$$F_{a \min} = \text{minimum axial load [kN]}$$

**THRUST CYLINDRICAL ROLLER AND CAGE ASSEMBLIES, THRUST WASHERS**

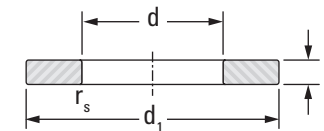
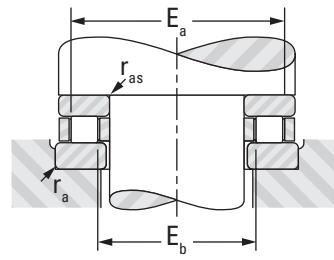
**METRIC SERIES**



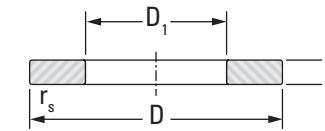
811, 812



K.811, K.812



WS.811, WS.812



GS.811, GS.812

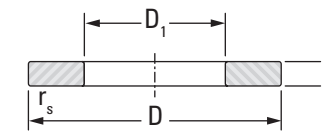
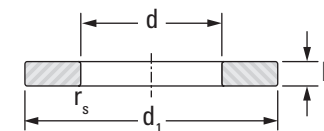
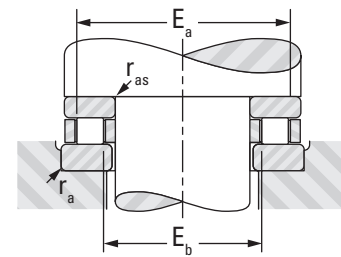
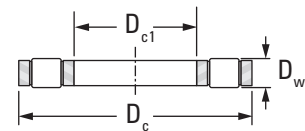
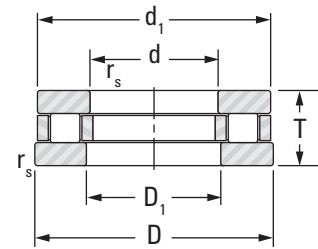
Shaft Dia.	D <sub>c1</sub>	D <sub>c</sub>	D <sub>w</sub>	T	E <sub>b</sub> max	E <sub>a</sub> min	r <sub>as</sub> max r <sub>a</sub> max	Assembly Designation	C	C <sub>0</sub>	Speed Rating Oil	Wt.									
													Assembly Dimensions							Load Ratings	
													(E11)	(a13)					Dynamic	Static	
<b>mm</b>	<b>mm</b>	<b>mm</b>	<b>mm</b>	<b>mm</b>	<b>mm</b>	<b>mm</b>	<b>mm</b>		<b>kN</b>	<b>lbf</b>	<b>min<sup>-1</sup></b>	<b>kg</b>									
<b>in</b>	<b>in</b>	<b>in</b>	<b>in</b>	<b>in</b>	<b>in</b>	<b>in</b>	<b>in</b>				<b>in<sup>-1</sup></b>	<b>lbs</b>									
<b>15</b>	<b>15</b> 0.5906	<b>28</b> 1.1024	<b>3.5</b> 0.1378	<b>9</b> 0.354	<b>18</b> 0.709	<b>25</b> 0.984	<b>0.3</b> 0.012	K.81102LPB	<b>12.8</b> 2880	<b>28.6</b> 6430	12000	<b>0.006</b> 0.013									
	<b>15</b> 0.5906	<b>28</b> 1.1024	<b>3.5</b> 0.1378	<b>9</b> 0.354	<b>18</b> 0.709	<b>25</b> 0.984	<b>0.3</b> 0.012	K.81102TVP	<b>12.8</b> 2880	<b>28.6</b> 6430	12000	<b>0.006</b> 0.013									
<b>17</b>	<b>17</b> 0.6693	<b>30</b> 1.1811	<b>3.5</b> 0.1378	–	<b>20</b> 0.787	<b>27</b> 1.063	<b>0.3</b> 0.012	K.81103LPB	<b>14.2</b> 3190	<b>33.4</b> 7510	11000	<b>0.008</b> 0.018									
	<b>17</b> 0.6693	<b>30</b> 1.1811	<b>3.5</b> 0.1378	<b>9</b> 0.354	<b>20</b> 0.787	<b>27</b> 1.063	<b>0.3</b> 0.012	K.81103TVP	<b>14.2</b> 3190	<b>33.4</b> 7510	11000	<b>0.008</b> 0.018									
<b>20</b>	<b>20</b> 0.7874	<b>35</b> 1.3780	<b>4.5</b> 0.1772	<b>10</b> 0.394	<b>23</b> 0.906	<b>32</b> 1.260	<b>0.3</b> 0.012	K.81104TVP	<b>23.6</b> 5310	<b>56.8</b> 12800	9500	<b>0.009</b> 0.020									
<b>25</b>	<b>25</b> 0.9843	<b>42</b> 1.6535	<b>5.0</b> 0.1969	<b>11</b> 0.433	<b>28</b> 1.102	<b>39</b> 1.535	<b>0.6</b> 0.024	K.81105TVP	<b>31.2</b> 7010	<b>81.0</b> 18200	8000	<b>0.014</b> 0.031									
<b>30</b>	<b>30</b> 1.1811	<b>47</b> 1.8504	<b>5.0</b> 0.1969	–	<b>33</b> 1.299	<b>44</b> 1.732	<b>0.6</b> 0.024	K.81106LPB	<b>33.0</b> 7420	<b>91.1</b> 20500	6700	<b>0.026</b> 0.057									
	<b>30</b> 1.1811	<b>47</b> 1.8504	<b>5.0</b> 0.1969	<b>11</b> 0.433	<b>33</b> 1.299	<b>44</b> 1.732	<b>0.6</b> 0.024	K.81106TVP	<b>33.0</b> 7420	<b>91.1</b> 20500	6700	<b>0.016</b> 0.035									
	<b>30</b> 1.1811	<b>52</b> 2.0472	<b>7.5</b> 0.2953	–	<b>33</b> 1.299	<b>49</b> 1.929	<b>0.6</b> 0.024	K.81206LPB	<b>56.9</b> 12800	<b>141</b> 31700	6300	<b>0.052</b> 0.115									
	<b>30</b> 1.1811	<b>52</b> 2.0472	<b>7.5</b> 0.2953	<b>16</b> 0.630	<b>33</b> 1.299	<b>49</b> 1.929	<b>0.6</b> 0.024	K.81206TVP	<b>56.9</b> 12800	<b>141</b> 31700	6300	<b>0.034</b> 0.075									
<b>35</b>	<b>35</b> 1.3780	<b>52</b> 2.0472	<b>5.0</b> 0.1969	–	<b>38</b> 1.496	<b>49</b> 1.929	<b>0.6</b> 0.024	K.81107LPB	<b>34.8</b> 7820	<b>101</b> 22700	6000	<b>0.025</b> 0.055									
	<b>35</b> 1.3780	<b>52</b> 2.0472	<b>5.0</b> 0.1969	<b>12</b> 0.472	<b>38</b> 1.496	<b>49</b> 1.929	<b>0.6</b> 0.024	K.81107TVP	<b>34.8</b> 7820	<b>101</b> 22700	6000	<b>0.020</b> 0.044									
	<b>35</b> 1.3780	<b>62</b> 2.4409	<b>7.5</b> 0.2953	–	<b>41</b> 1.614	<b>56</b> 2.205	<b>1.0</b> 0.039	K.81207LPB	<b>61.6</b> 13800	<b>164</b> 36900	5300	<b>0.073</b> 0.161									
	<b>35</b> 1.3780	<b>62</b> 2.4409	<b>7.5</b> 0.2953	<b>18</b> 0.709	<b>41</b> 1.614	<b>56</b> 2.205	<b>1.0</b> 0.039	K.81207TVP	<b>61.6</b> 13800	<b>164</b> 36900	5300	<b>0.055</b> 0.121									
<b>40</b>	<b>40</b> 1.5748	<b>60</b> 2.3622	<b>6.0</b> 0.2362	–	<b>44</b> 1.732	<b>56</b> 2.205	<b>0.6</b> 0.024	K.81108LPB	<b>49.8</b> 11200	<b>148</b> 33300	5300	<b>0.044</b> 0.097									
	<b>40</b> 1.5748	<b>60</b> 2.3622	<b>6.0</b> 0.2362	<b>13</b> 0.512	<b>44</b> 1.732	<b>56</b> 2.205	<b>0.6</b> 0.024	K.81108TVP	<b>49.8</b> 11200	<b>148</b> 33300	5300	<b>0.031</b> 0.068									
	<b>40</b> 1.5748	<b>68</b> 2.6772	<b>9.0</b> 0.3543	<b>19</b> 0.748	<b>45</b> 1.772	<b>63</b> 2.480	<b>1.0</b> 0.039	K.81208TVP	<b>86.8</b> 19500	<b>233</b> 52400	4800	<b>0.076</b> 0.168									
<b>45</b>	<b>45</b> 1.7717	<b>65</b> 2.5591	<b>6.0</b> 0.2362	–	<b>49</b> 1.929	<b>61</b> 2.402	<b>0.6</b> 0.024	K.81109LPB	<b>52.3</b> 11800	<b>163</b> 36600	4800	<b>0.035</b> 0.077									
	<b>45</b> 1.7717	<b>65</b> 2.5591	<b>6.0</b> 0.2362	<b>14</b> 0.551	<b>49</b> 1.929	<b>61</b> 2.402	<b>0.6</b> 0.024	K.81109TVP	<b>52.3</b> 11800	<b>163</b> 36600	4800	<b>0.035</b> 0.077									
	<b>45</b> 1.7717	<b>73</b> 2.8740	<b>9.0</b> 0.3543	–	<b>50</b> 1.969	<b>68</b> 2.677	<b>1.0</b> 0.039	K.81209TVP	<b>94.2</b> 21200	<b>266</b> 59800	4500	<b>0.083</b> 0.183									

d	D <sub>1</sub>	D, d <sub>1</sub>	h		r <sub>s</sub> min	Washer Designation	Wt.	Shaft Dia.	
			Washer Dimensions						
			Max.	Min.					
<b>mm</b>	<b>mm</b>	<b>mm</b>	<b>mm</b>	<b>mm</b>	<b>mm</b>	<b>Shaft</b>	<b>Housing</b>	<b>kg</b>	<b>mm</b>
<b>in</b>	<b>in</b>	<b>in</b>	<b>in</b>	<b>in</b>	<b>in</b>	<b>Piloted</b>	<b>Piloted</b>	<b>lbs</b>	
<b>15</b>	<b>16</b> 0.630	<b>28</b> 1.102	<b>2.75</b> 0.108	<b>2.64</b> 0.104	<b>0.3</b> 0.012	WS.81102	GS.81102	<b>0.010</b> 0.022	<b>15</b>
	<b>15</b> 0.591	<b>16</b> 0.630	<b>28</b> 1.102	<b>2.75</b> 0.108	<b>2.64</b> 0.104	WS.81102	GS.81102	<b>0.010</b> 0.022	
<b>17</b>	<b>18</b> 0.709	<b>30</b> 1.181	<b>2.75</b> 0.108	<b>2.64</b> 0.104	<b>0.3</b> 0.012	WS.81103	GS.81103	<b>0.011</b> 0.024	<b>17</b>
	<b>17</b> 0.669	<b>18</b> 0.709	<b>30</b> 1.181	<b>2.75</b> 0.108	<b>2.64</b> 0.104	WS.81103	GS.81103	<b>0.011</b> 0.024	
<b>20</b>	<b>21</b> 0.827	<b>35</b> 1.378	<b>2.75</b> 0.108	<b>2.62</b> 0.103	<b>0.3</b> 0.012	WS.81104	GS.81104	<b>0.014</b> 0.031	<b>20</b>
	<b>20</b> 0.787	<b>21</b> 0.827	<b>35</b> 1.378	<b>2.75</b> 0.108	<b>2.62</b> 0.103	WS.81104	GS.81104	<b>0.014</b> 0.031	
<b>25</b>	<b>26</b> 1.024	<b>42</b> 1.654	<b>3.00</b> 0.118	<b>2.87</b> 0.113	<b>0.6</b> 0.024	WS.81105	GS.81105	<b>0.021</b> 0.046	<b>25</b>
	<b>25</b> 0.984	<b>26</b> 1.024	<b>42</b> 1.654	<b>3.00</b> 0.118	<b>2.87</b> 0.113	WS.81105	GS.81105	<b>0.021</b> 0.046	
<b>30</b>	<b>32</b> 1.260	<b>47</b> 1.850	<b>3.00</b> 0.118	<b>2.87</b> 0.113	<b>0.6</b> 0.024	WS.81106	GS.81106	<b>0.023</b> 0.051	<b>30</b>
	<b>30</b> 1.181	<b>32</b> 1.260	<b>47</b> 1.850	<b>3.00</b> 0.118	<b>2.87</b> 0.113	WS.81106	GS.81106	<b>0.023</b> 0.051	
<b>30</b>	<b>32</b> 1.260	<b>47</b> 1.850	<b>3.00</b> 0.118	<b>2.87</b> 0.113	<b>0.6</b> 0.024	WS.81106	GS.81106	<b>0.023</b> 0.051	<b>30</b>
	<b>30</b> 1.181	<b>32</b> 1.260	<b>47</b> 1.850	<b>3.00</b> 0.118	<b>2.87</b> 0.113	WS.81106	GS.81106	<b>0.023</b> 0.051	
<b>30</b>	<b>32</b> 1.260	<b>52</b> 2.047	<b>4.25</b> 0.167	<b>4.12</b> 0.162	<b>0.6</b> 0.024	WS.81206	GS.81206	<b>0.047</b> 0.104	<b>30</b>
	<b>30</b> 1.181	<b>32</b> 1.260	<b>52</b> 2.047	<b>4.25</b> 0.167	<b>4.12</b> 0.162	WS.81206	GS.81206	<b>0.047</b> 0.104	
<b>35</b>	<b>37</b> 1.457	<b>52</b> 2.047	<b>3.50</b> 0.138	<b>3.34</b> 0.131	<b>0.6</b> 0.024	WS.81107	GS.81107	<b>0.032</b> 0.071	<b>35</b>
	<b>35</b> 1.378	<b>37</b> 1.457	<b>52</b> 2.047	<b>3.50</b> 0.138	<b>3.34</b> 0.131	WS.81107	GS.81107	<b>0.032</b> 0.071	
<b>35</b>	<b>37</b> 1.457	<b>62</b> 2.441	<b>5.25</b> 0.207	<b>5.09</b> 0.200	<b>1.0</b> 0.039	WS.81207	GS.81207	<b>0.085</b> 0.187	<b>35</b>
	<b>35</b> 1.378	<b>37</b> 1.457	<b>62</b> 2.441	<b>5.25</b> 0.207	<b>5.09</b> 0.200	WS.81207	GS.81207	<b>0.085</b> 0.187	
<b>40</b>	<b>42</b> 1.654	<b>60</b> 2.362	<b>3.50</b> 0.138	<b>3.34</b> 0.131	<b>0.6</b> 0.024	WS.81108	GS.81108	<b>0.043</b> 0.095	<b>40</b>
	<b>40</b> 1.575	<b>42</b> 1.654	<b>60</b> 2.362	<b>3.50</b> 0.138	<b>3.34</b> 0.131	WS.81108	GS.81108	<b>0.043</b> 0.095	
<b>40</b>	<b>42</b> 1.654	<b>68</b> 2.677	<b>5.00</b> 0.197	<b>4.84</b> 0.191	<b>1.0</b> 0.039	WS.81208	GS.81208	<b>0.093</b> 0.205	<b>40</b>
	<b>40</b> 1.575	<b>42</b> 1.654	<b>68</b> 2.677	<b>5.00</b> 0.197	<b>4.84</b> 0.191	WS.81208	GS.81208	<b>0.093</b> 0.205	
<b>45</b>	<b>47</b> 1.850	<b>65</b> 2.559	<b>4.00</b> 0.157	<b>3.84</b> 0.151	<b>0.6</b> 0.024	WS.81109	GS.81109	<b>0.054</b> 0.119	<b>45</b>
	<b>45</b> 1.772	<b>47</b> 1.850	<b>65</b> 2.559	<b>4.00</b> 0.157	<b>3.84</b> 0.151	WS.81109	GS.81109	<b>0.054</b> 0.119	
<b>45</b>	<b>47</b> 1.850	<b>73</b> 2.874	<b>5.50</b> 0.217	<b>5.34</b> 0.210	<b>1.0</b> 0.039	WS.81209	GS.81209	<b>0.112</b> 0.247	<b>45</b>
	<b>45</b> 1.772	<b>47</b> 1.850	<b>73</b> 2.874	<b>5.50</b> 0.217	<b>5.34</b> 0.210	WS.81209	GS.81209	<b>0.112</b> 0.247	

Continued on next page.

**THRUST CYLINDRICAL ROLLER AND CAGE ASSEMBLIES, THRUST WASHERS**

**METRIC SERIES**



811, 812

K.811, K.812

WS.811, WS.812

GS.811, GS.812

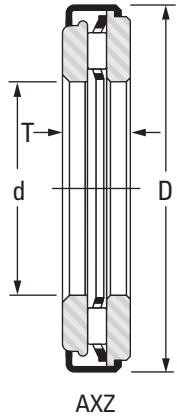
Shaft Dia. mm	Assembly Dimensions							Assembly Designation	Load Ratings		Speed Rating Oil min <sup>-1</sup>	Wt. kg lbs
	D <sub>c1</sub>	D <sub>c</sub>	D <sub>w</sub>	T	E <sub>b</sub> max	E <sub>a</sub> min	r <sub>as</sub> max r <sub>a</sub> max		C	C <sub>0</sub>		
	(E11)	(a13)							Dynamic	Static		
	mm in	mm in	mm in	mm in	mm in	mm in	mm in		kN lbf			
50	50 1.9685	70 2.7559	6.0 0.2362	14 0.551	54 2.126	66 2.598	0.6 0.024	K.81110LPB	54.8 12300	177 39800	4300	0.052 0.115
	50 1.9685	70 2.7559	6.0 0.2362	14 0.551	54 2.126	66 2.598	0.6 0.024	K.81110TVP	54.8 12300	177 39800	4300	0.042 0.093
55	50 1.9685	78 3.0709	9.0 0.3543	22 0.866	55 2.165	73 2.874	1.0 0.039	K.81210TVP	101 22700	299 67200	4000	0.089 0.196
	55 2.1654	78 3.0709	6.0 0.2362	16 0.630	60 2.362	73 2.874	0.6 0.024	K.81111TVP	60.3 13600	207 46500	4000	0.066 0.146
60	55 2.1654	90 3.5433	11.0 0.4331	- -	61 2.402	84 3.307	1.0 0.039	K.81211LPB	138 31000	403 90600	3600	0.156 0.344
	55 2.1654	90 3.5433	11.0 0.4331	25 0.984	61 2.402	84 3.307	1.0 0.039	K.81211TVP	138 31000	403 90600	3600	0.140 0.309
65	60 2.3622	85 3.3465	7.5 0.2953	17 0.669	65 2.559	80 3.150	1.0 0.039	K.81112TVP	84.4 19000	281 63200	3600	0.103 0.227
	60 2.3622	95 3.7402	11.0 0.4331	26 1.024	66 2.598	89 3.504	1.0 0.039	K.81212LPB	129 29000	378 85000	3400	0.166 0.366
70	65 2.5591	90 3.5433	7.5 0.2953	18 0.709	70 2.756	85 3.346	1.0 0.039	K.81113TVP	88.3 19900	305 68600	3400	0.109 0.240
	65 2.5591	100 3.9370	11.0 0.4331	27 1.063	71 2.795	94 3.701	1.0 0.039	K.81213LPB	134 30100	403 90600	3200	0.176 0.388
75	70 2.7559	95 3.7402	7.5 0.2953	18 0.709	75 2.953	90 3.543	1.0 0.039	K.81114TVP	92.1 20700	328 73700	3200	0.056 0.123
	70 2.7559	105 4.1339	11.0 0.4331	27 1.063	76 2.992	99 3.898	1.0 0.039	K.81214LPB	138 31000	428 96200	3000	0.186 0.410
80	75 2.9528	100 3.9370	7.5 0.2953	19 0.748	80 3.150	95 3.740	1.0 0.039	K.81115LPB	86.1 19400	305 68600	3000	0.091 0.201
	75 2.9528	110 4.3307	11.0 0.4331	27 1.063	81 3.189	104 4.094	1.0 0.039	K.81215LPB	143 32100	453 101800	2800	0.197 0.434
85	80 3.1496	105 4.1339	7.5 0.2953	19 0.748	85 3.346	100 3.937	1.0 0.039	K.81116LPB	87.5 19700	316 71000	2800	0.103 0.227
	80 3.1496	115 4.5276	11.0 0.4331	28 1.102	86 3.386	109 4.291	1.0 0.039	K.81216LPB	147 33000	478 107500	2600	0.208 0.459
90	85 3.3465	110 4.3307	7.5 0.2953	19 0.748	90 3.543	105 4.134	1.0 0.039	K.81117LPB	88.9 20000	328 73700	2600	0.108 0.238
	85 3.3465	125 4.9213	12.0 0.4724	31 1.220	93 3.661	117 4.606	1.0 0.039	K.81217LPB	174 39100	572 128600	2400	0.376 0.829
90	90 3.5433	120 4.7244	9.0 0.3543	22 0.866	96 3.780	114 4.488	1.0 0.039	K.81118LPB	119 26800	432 97100	2400	0.156 0.344
	90 3.5433	135 5.3150	14.0 0.5512	35 1.378	98 3.858	127 5.000	1.0 0.039	K.81218LPB	215 48300	691 155300	2400	0.540 1.190

d mm in	D <sub>1</sub> mm in	D, d <sub>1</sub> mm in	h		r <sub>s</sub> min mm in	Washer Designation		Wt. kg lbs	Shaft Dia. mm
			Max. mm in	Min. mm in		Shaft Piloted	Housing Piloted		
50 1.969	52 2.047	70 2.756	4.00 0.157	3.84 0.151	0.6 0.024	WS.81110	GS.81110	0.059 0.130	50
50 1.969	52 2.047	78 3.071	6.5 0.256	6.34 0.250	1.0 0.039	WS.81210	GS.81210	0.144 0.317	55
55 2.165	57 2.244	78 3.071	5.00 0.197	4.81 0.189	0.6 0.024	WS.81111	GS.81111	0.094 0.207	
55 2.165	57 2.244	90 3.543	7.00 0.276	6.81 0.268	1.0 0.039	WS.81211	GS.81211	0.219 0.483	
55 2.165	57 2.244	90 3.543	7.00 0.276	6.81 0.268	1.0 0.039	WS.81211	GS.81211	0.219 0.483	
60 2.362	62 2.441	85 3.346	4.75 0.187	4.56 0.180	1.0 0.039	WS.81112	GS.81112	0.106 0.234	60
60 2.362	62 2.441	95 3.740	7.50 0.295	7.31 0.288	1.0 0.039	WS.81212	GS.81212	0.251 0.553	
65 2.559	67 2.638	90 3.543	5.25 0.207	5.06 0.199	1.0 0.039	WS.81113	GS.81113	0.125 0.276	65
65 2.559	67 2.638	100 3.937	8.00 0.315	7.81 0.307	1.0 0.039	WS.81213	GS.81213	0.285 0.628	
70 2.756	72 2.835	95 3.740	5.25 0.207	5.06 0.199	1.0 0.039	WS.81114	GS.81114	0.133 0.293	70
70 2.756	72 2.835	105 4.134	8.00 0.315	7.81 0.307	1.0 0.039	WS.81214	GS.81214	0.302 0.666	
75 2.953	77 3.031	100 3.937	5.75 0.226	5.56 0.219	1.0 0.039	WS.81115	GS.81115	0.155 0.342	75
75 2.953	77 3.031	110 4.331	8.00 0.315	7.81 0.307	1.0 0.039	WS.81215	GS.81215	0.319 0.703	
80 3.150	82 3.228	105 4.134	5.75 0.226	5.56 0.219	1.0 0.039	WS.81116	GS.81116	0.165 0.364	80
80 3.150	82 3.228	115 4.528	8.50 0.335	8.31 0.327	1.0 0.039	WS.81216	GS.81216	0.357 0.787	
85 3.346	87 3.425	110 4.331	5.75 0.226	5.53 0.218	1.0 0.039	WS.81117	GS.81117	0.173 0.381	85
85 3.346	88 3.465	125 4.921	9.50 0.374	9.28 0.365	1.0 0.039	WS.81217	GS.81217	0.492 1.085	
90 3.543	92 3.622	120 4.724	6.50 0.256	6.28 0.247	1.0 0.039	WS.81118	GS.81118	0.253 0.558	90
90 3.543	93 3.661	135 5.315	10.50 0.413	10.28 0.405	1.1 0.043	WS.81218	GS.81218	0.655 1.444	

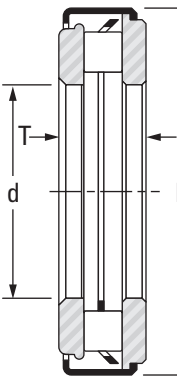


NEEDLE OR ROLLER THRUST BEARINGS

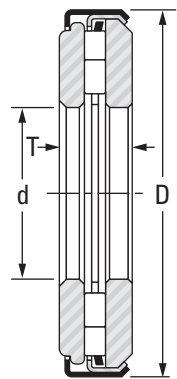
METRIC SERIES



AXZ



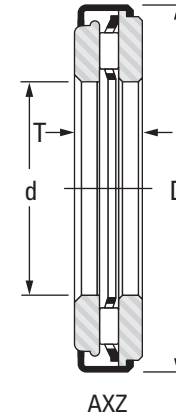
ARZ Light



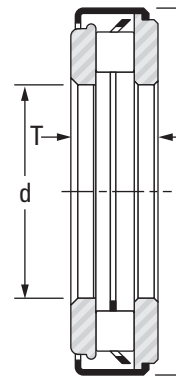
ARZ Heavy

Shaft Dia.	d	D	T	AXZ	ARZ Light	ARZ Heavy	C	C <sub>0</sub>	Speed Rating Oil	Wt.
				Bearing Designations						
mm	mm in	mm in	mm in				kN lbf		min <sup>-1</sup>	kg lbs
5	5 0.197	13 0.512	5.5 0.217	AXZ 5,5 5 13			3.00 670	5.70 1300	25000	0.004 0.008
6	6 0.236	14 0.551	5.5 0.217	AXZ 5,5 6 14			3.15 710	6.35 1400	22000	0.004 0.009
7	7 0.276	15 0.591	5.5 0.217	AXZ 5,5 7 15			3.55 800	7.60 1700	22000	0.005 0.010
8	8 0.315	16 0.630	5.5 0.217	AXZ 5,5 8 16			3.70 830	8.30 1900	22000	0.005 0.011
9	9 0.354	17 0.669	5.5 0.217	AXZ 5,5 9 17			4.05 910	9.50 2100	19000	0.005 0.012
10	10 0.394	22.4 0.882	6 0.236	AXZ 6 10 22,4			5.00 1120	10.9 2500	15500	0.011 0.025
	10 0.394	22.4 0.882	6.5 0.256		ARZ 6,5 10 22,4		8.20 1840	17.9 4000	15500	0.012 0.026
12	12 0.472	26.4 1.039	6 0.236	AXZ 6 12 26,4			6.90 1550	17.7 4000	13000	0.017 0.037
	12 0.472	26.4 1.039	7 0.275		ARZ 7 12 26,4		12.7 2860	29.5 6600	13000	0.017 0.037
15	15 0.591	28.4 1.118	6 0.236	AXZ 6 15 28,4			7.40 1660	20.0 4500	11500	0.016 0.034
	15 0.591	28.4 1.118	7 0.275		ARZ 7 15 28,4		14.0 3150	34.0 7600	11500	0.019 0.042
17	17 0.669	30.4 1.197	6 0.236	AXZ 6 17 30,4			7.80 1750	22.0 4900	10500	0.018 0.039
	17 0.669	30.4 1.197	7 0.275		ARZ 7 17 30,4		15.0 3370	39.0 8800	10500	0.022 0.049
20	20 0.787	35.4 1.394	8 0.315	AXZ 8 20 35,4			11.80 2650	39.0 8800	9000	0.033 0.072
	20 0.787	35.4 1.394	10 0.394		ARZ 10 20 35,4		22.0 4950	54.0 12100	9000	0.038 0.084
25	25 0.984	43 1.693	8 0.315	AXZ 8 25 43			13.30 2990	49.0 11000	7500	0.047 0.104
	25 0.984	43 1.693	10 0.394		ARZ 10 25 43		25.5 5730	70.0 15700	7500	0.057 0.126
	25 0.984	53 2.087	11 0.433		ARZ 11 25 53		32.5 7310	122 27400	6500	0.122 0.269
30	30 1.181	48 1.890	8 0.315	AXZ 8 30 48			14.50 3260	57.0 12800	6500	0.054 0.119
	30 1.181	48 1.890	10 0.394		ARZ 10 30 48		26.5 5960	77.0 17300	6500	0.065 0.143
	30 1.181	61 2.402	14 0.551		ARZ 14 30 61		46.0 10340	162 36400	5600	0.196 0.432

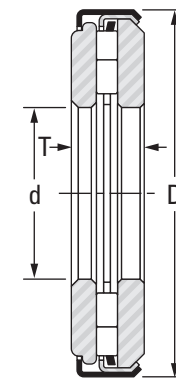
Continued on next page.



AXZ



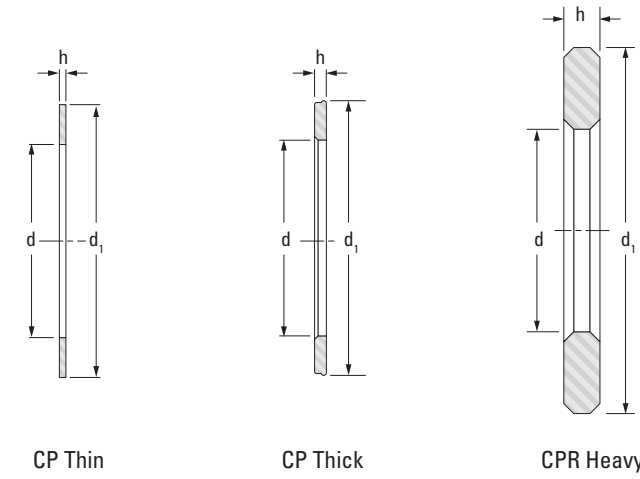
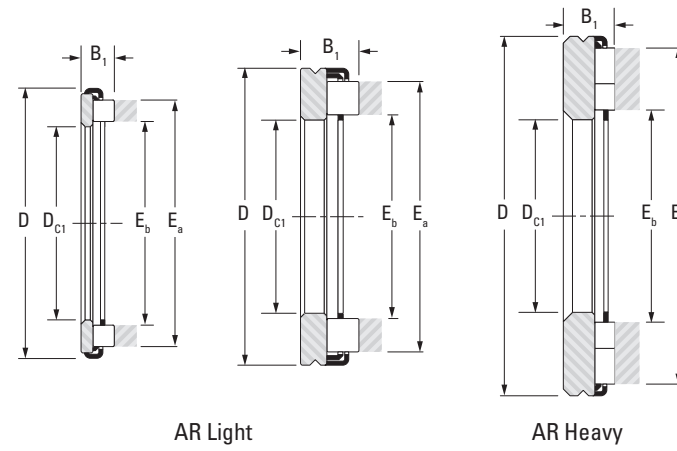
ARZ Light



ARZ Heavy

Shaft Dia.	d	D	T	AXZ	ARZ Light	ARZ Heavy	C	C <sub>0</sub>	Speed Rating Oil	Wt.
				Bearing Designations						
mm	mm in	mm in	mm in				kN lbf		min <sup>-1</sup>	kg lbs
35	35 1.378	54 2.126	8 0.315	AXZ 8 35 54			18.90 4250	84.0 18900	5500	0.066 0.146
	35 1.378	54 2.126	11 0.433		ARZ 11 35 54		33.8 7600	94.0 21100	5500	0.087 0.192
	35 1.378	69 2.717	14 0.551		ARZ 14 35 69		51.0 11470	194.0 43600	4900	0.246 0.542
40	40 1.575	61 2.402	8 0.315	AXZ 8 40 61			20.40 4590	96.0 21600	5000	0.084 0.185
	40 1.575	61 2.402	12 0.472		ARZ 12 40 61		46.0 10340	129 29000	5000	0.114 0.251
	40 1.575	79 3.110	17 0.669		ARZ 17 40 79		71.0 15960	265 59600	4200	0.387 0.853
45	45 1.772	66 2.598	8 0.315	AXZ 8 45 66			21.80 4900	109 24500	4500	0.092 0.203
	45 1.772	66 2.598	12 0.472		ARZ 12 45 66		49.0 11000	143 32100	4500	0.126 0.278
	45 1.772	86 3.386	22 0.866		ARZ 22 45 86		92.0 20700	340 76400	3800	0.595 1.312
50	50 1.969	71 2.795	8 0.315	AXZ 8 50 71			22.50 5100	118 26500	4000	0.100 0.220
	50 1.969	71 2.795	12 0.472		ARZ 12 50 71		51.0 11500	157 35300	4000	0.137 0.302
	50 1.969	96 3.780	22 0.866		ARZ 22 50 96		108.0 24300	430 96700	3400	0.756 1.66
55	55 2.165	106 4.173	8 0.315				125.0 28100	530 119100	3100	0.917 2.022
60	60 2.362	86 3.386	10 0.394	AXZ 10 60 86			31.50 7100	193 43400	3500	0.194 0.428
	60 2.362	86 3.386	14 0.551		ARZ 14 60 86		71.0 16000	255 57300	3500	0.246 0.542
	60 2.362	111 4.370	22 0.866		ARZ 22 60 111		130.0 29200	580 130400	2900	0.977 2.15
65	65 2.559	116 4.567	22 0.866				135.0 30300	620 139400	2800	1.040 2.29
70	70 2.756	96 3.780	10 0.394	AXZ 10 70 96			34.50 7800	223 50100	3000	0.220 0.485
	70 2.756	96 3.780	14 0.551		ARZ 14 70 96		77.0 17300	295 66300	3000	0.279 0.615
80	80 3.150	106 4.173	10 0.394	AXZ 10 80 106			36.50 8200	253 56900	2700	0.256 0.564
	80 3.150	106 4.173	14 0.551		ARZ 14 80 106		82.0 18400	330 74200	2700	0.312 0.688

UNITIZED ROLLER THRUST BEARING ASSEMBLIES  
METRIC SERIES



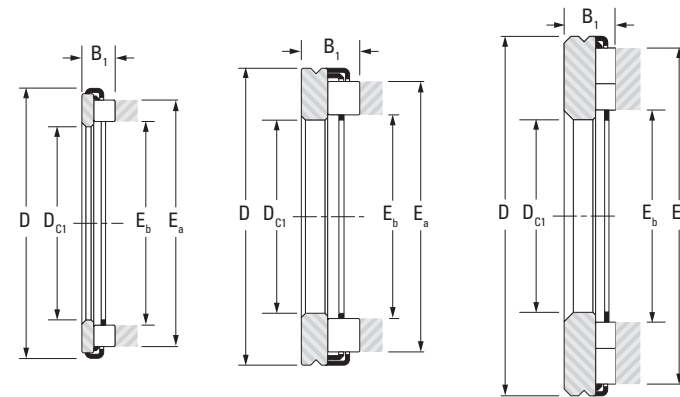
Shaft Dia.	D <sub>c1</sub>	D	B <sub>1</sub>	E <sub>a</sub>	E <sub>b</sub>	AR		Wt.	C		Speed Rating Oil
						Assembly Designation			Load Ratings		
						Light Series	Heavy Series		Dynamic	Static	
<b>mm</b>	<b>mm</b>	<b>mm</b>	<b>mm</b>	<b>mm</b>	<b>mm</b>			<b>kg</b>	<b>kN</b>		<b>min<sup>-1</sup></b>
<b>in</b>	<b>in</b>	<b>in</b>	<b>in</b>	<b>in</b>	<b>in</b>			<b>lbs</b>	<b>lbf</b>		
10	10 0.394	22 0.866	4.5 0.177	18.5 0.73	12.2 0.48	AR 4,5 10 22		0.007 0.016	8.2 1840	17.9 4020	15500
12	12 0.472	26 1.024	5 0.197	22.9 0.90	14.8 0.58	AR 5 12 26		0.011 0.024	12.7 2860	29.5 6630	13000
15	15 0.591	28 1.103	5 0.197	24.9 0.98	16.8 0.66	AR 5 15 28		0.011 0.024	14.0 3150	34.0 7640	11500
17	17 0.669	30 1.181	5 0.197	26.9 1.06	18.8 0.74	AR 5 17 30		0.013 0.028	15.0 3370	39.0 8770	10500
20	20 0.787	35 1.378	7 0.276	31.6 1.24	22.0 0.87	AR 7 20 35		0.022 0.049	22.0 4950	54.0 12100	9000
25	25 0.984	42 1.654	7 0.276	37.3 1.47	27.7 1.09	AR 7 25 42		0.031 0.068	25.5 5730	70.0 15700	7500
	25 0.984	52 2.047	7 0.276	47.0 1.85	29.0 1.14		AR 7 25 52	0.070 0.154	32.5 7310	122.0 27400	6500
30	30 1.181	47 1.851	7 0.276	42.3 1.67	32.7 1.29	AR 7 30 47		0.036 0.079	26.5 5960	77.0 17300	6500
	30 1.181	60 2.362	9 0.354	53.5 2.11	33.5 1.32		AR 9 30 60	0.113 0.249	46.0 10340	162.0 36400	5600
35	35 1.378	53.4 2.103	8 0.315	47.8 1.88	37.8 1.49	AR 8 35 53,4		0.052 0.115	33.8 7600	94.0 21100	5500
	35 1.378	68 2.677	9 0.354	60.6 2.39	39.0 1.54		AR 9 35 68	0.144 0.317	51.0 11500	194.0 43600	4900
40	40 1.575	60.4 2.378	9 0.354	54.8 2.16	42.8 1.69	AR 9 40 60,4		0.070 0.154	46.0 10300	129.0 29000	5000
	40 1.575	78 3.071	11 0.433	70.0 2.76	44.0 1.73		AR 11 40 78	0.225 0.496	71.0 16000	265.0 59600	4200
45	45 1.772	65.4 2.575	9 0.354	59.8 2.35	47.8 1.88	AR 9 45 65,4		0.077 0.170	49.0 11000	143.0 32100	4500
	45 1.772	85 3.347	14 0.551	77.0 3.03	49.0 1.93		AR 14 45 85	0.350 0.772	92.0 20700	340.0 76400	3800
50	50 1.968	70.4 2.772	9 0.354	64.8 2.55	52.8 2.08	AR 9 50 70,4		0.082 0.181	51.0 11500	157.0 35300	4000
	50 1.968	95 3.740	14 0.551	86.0 3.39	54.0 2.13		AR 14 50 95	0.448 0.988	108.0 24300	430.0 96700	3400
55	55 2.165	78.4 3.087	10 0.394	72.5 2.85	58.5 2.30	AR 10 55 78,4		0.125 0.276	61.0 13700	203.0 45600	3800
	55 2.165	105 4.134	14 0.551	96.2 3.79	60.2 2.37		AR 14 55 105	0.537 1.184	125.0 28100	530.0 119100	3100

d	d <sub>1</sub>	Thin Series	h	Wt.	Thick Series	h	Wt.	Heavy Series	h	Wt.	Shaft Dia.		
												Washer Dimension	
												mm	mm
10	22	CP 10 22	0.8	0.002	CP 2 10 22	2	0.004				10		
0.394	0.866		0.031	0.004		0.079	0.009						
12	25	CP 12 26	0.8	0.003	CP 2 12 26	2	0.006				12		
0.472	0.984		0.031	0.006		0.079	0.014						
15	27	CP 15 28	0.8	0.003	CP 2 15 28	2	0.006				15		
0.591	1.063		0.031	0.006		0.079	0.013						
17	29	CP 17 30	0.8	0.003	CP 2 17 30	2	0.007				17		
0.669	1.142		0.031	0.006		0.079	0.015						
20	34	CP 20 35	0.8	0.004	CP 3 20 35	3	0.013				20		
0.787	1.339		0.031	0.008		0.118	0.029						
25	42	CP 25 42	0.8	0.005	CP 3 25 42	3	0.019				25		
0.984	1.654		0.031	0.012		0.118	0.042						
25	52							CPR 4 25 52	4	0.052	25		
0.984	2.047								0.157	0.115			
30	46	CP 30 47	0.8	0.006	CP 3 30 47	3	0.022				30		
1.181	1.811		0.031	0.013		0.118	0.049						
30	60							CPR 5 30 60	5	0.083	30		
1.181	2.362								0.197	0.183			
35	51	CP 35 52	0.8	0.007	CP 3 35 52	3	0.026				35		
1.378	2.008		0.031	0.015		0.118	0.057						
35	68							CPR 5 35 68	5	0.102	35		
1.378	2.677								0.197	0.225			
40	59	CP 40 60	0.8	0.009	CP 3 40 60	3	0.034				40		
1.575	2.323		0.031	0.021		0.118	0.075						
40	78							CPR 6 40 78	6	0.162	40		
1.575	3.071								0.236	0.357			
45	64	CP 45 65	0.8	0.010	CP 3 45 65	3	0.037				45		
1.772	2.520		0.031	0.022		0.118	0.082						
45	85							CPR 8 45 85	8	0.245	45		
1.772	3.347								0.315	0.540			
50	69	CP 50 70	0.8	0.011	CP 3 50 70	3	0.040				50		
1.968	2.717		0.031	0.024		0.118	0.088						
50	95							CPR 8 50 95	8	0.308	50		
1.968	3.740								0.315	0.679			
55	77	CP 55 78	0.8	0.014	CP 4 55 78	4	0.069				55		
2.165	3.031		0.031	0.031		0.157	0.152						
55	105							CPR 8 55 105	8	0.380	55		
2.165	4.134								0.315	0.838			

Continued on next page.

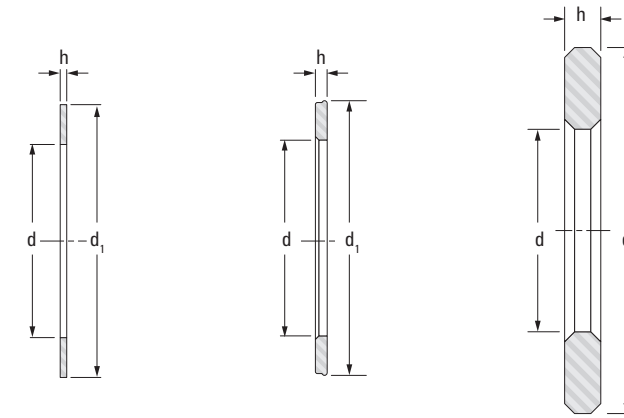
UNITIZED ROLLER THRUST BEARING ASSEMBLIES

METRIC SERIES



AR Light

AR Heavy



CP Thin

CP Thick

CPR Heavy

Shaft Dia.	D <sub>c1</sub>	D	B <sub>1</sub>	E <sub>a</sub>	E <sub>b</sub>	AR		Wt.	C		Speed Rating Oil
						Assembly Designation			Load Ratings		
						Light Series	Heavy Series		Dynamic	Static	
mm	mm in	mm in	mm in	mm in	mm in			kg lbs	kN lbf	min <sup>-1</sup>	
60	60	85.4	10	79.5	63.5	AR 10 60 85,4		0.150	71.0	255.0	3500
	2.362	3.362	0.394	3.13	2.50			0.331	16000	57300	
60	60	110	14	101.2	65.2		AR 14 60 110	0.572	130.0	580.0	2900
	2.362	4.331	0.551	3.98	2.57			1.261	29200	130400	
65	65	90.4	10	84.5	68.5	AR 10 65 90,4		0.160	74.0	275.0	3200
	2.559	3.559	0.394	3.33	2.70			0.353	16600	61800	
65	65	115	14	106.2	70.2		AR 14 65 115	0.610	135.0	620.0	2800
	2.559	4.528	0.551	4.18	2.76			1.345	30300	139400	
70	70	95.4	10	89.5	73.5	AR 10 70 95,4		0.170	77.0	295.0	3000
	2.756	3.756	0.394	3.52	2.89			0.375	17300	66300	
70	70	125	16	116.0	76.0		AR 16 70 125	0.775	174.0	710.0	2600
	2.756	4.921	0.630	4.57	2.99			1.709	39100	159600	
75	75	100	10	94.5	78.5	AR 10 75 100,4 <sup>(1)</sup>		0.180	80.0	313.0	2800
	2.953	3.938	0.394	3.72	3.09			0.397	18000	70400	
75	75	135	16	126.0	82.0		AR 16 75 135	0.893	198.0	860.0	2400
	2.953	5.315	0.630	4.96	3.23			1.969	44500	193300	
80	80	105.4	10	99.5	83.5	AR 10 80 105,4		0.190	82.0	330.0	2700
	3.150	4.150	0.394	3.92	3.29			0.419	18400	74200	
80	80	140	16	131.0	87.0		AR 16 80 140	0.960	208.0	940.0	2300
	3.150	5.512	0.630	5.16	3.43			2.116	46800	211300	
85	85	150	18	138.0	92.0		AR 18 85 150	1.256	230.0	1010.0	2100
	3.346	5.906	0.709	5.43	3.62			2.769	51700	227100	
90	90	155	18	143.0	97.0	AR 18 90 155		1.330	245.0	1090.0	2000
	3.550	6.103	0.709	5.63	3.82			2.932	55100	245000	
100	100	170	20	157.0	109.0		AR 20 100 170	1.740	280.0	1250.0	1800
	3.937	6.693	0.787	6.18	4.29			3.836	62900	281000	
110	110	190	24	178.0	118.0		AR 24 110 190	2.500	365.0	1600.0	1700
	4.331	7.481	0.945	7.01	4.65			5.512	82100	359700	
120	120	210	24	199.0	127.0		AR 24 120 210	3.200	470.0	2300.0	1500
	4.724	8.268	0.945	7.83	5.00			7.055	105700	517100	
130	130	225	24	214.0	138.0		AR 24 130 225	3.600	510.0	2640.0	1400
	5.118	8.858	0.945	8.43	5.43			7.937	114700	593500	
140	140	240	28	229.0	149.0		AR 28 140 240	4.800	600.0	2980.0	1300
	5.511	9.449	1.102	9.02	5.87			10.582	134900	669900	

Washer Dimension	d	d <sub>1</sub>	Thin Series	h	Wt.	Thick Series	h	Wt.	Heavy Series	h	Wt.	Shaft Dia.									
													mm in	mm in	mm in	kg lbs	mm in	kg lbs	mm in	kg lbs	mm
													60	84	CP 60 85	0.8	0.017	CP 4 60 85	4	0.083	
2.362	3.307		0.031	0.037		0.157	0.183														
60	110							CPR 8 60 110	8	0.405											
2.362	4.331								0.315	0.893											
65	89	CP 1,5 65 90	1.5	0.033	CP 4 65 90	4	0.088				65										
2.559	3.504		0.059	0.073		0.157	0.194														
65	115							CPR 8 65 115	8	0.430											
2.559	4.528								0.315	0.948											
70	94	CP 1,5 70 95	1.5	0.034	CP 4 70 95	4	0.093				70										
2.756	3.701		0.059	0.076		0.157	0.205														
70	125							CPR 8 70 125	8	0.510											
2.756	4.921								0.315	1.12											
75	99	CP 1,5 75 100	1.5	0.037	CP 4 75 100	4	0.099				75										
2.953	3.898		0.059	0.082		0.157	0.218														
75	135							CPR 8 75 135	8	0.595											
2.953	5.315								0.315	1.31											
80	104	CP 1,5 80 105	1.5	0.039	CP 4 80 105	4	0.104				80										
3.150	4.094		0.059	0.086		0.157	0.229														
80	140							CPR 8 80 140	8	0.630											
3.150	5.512								0.315	1.39											
85	150							CPR 9 85 150	9	0.815	85										
3.346	5.906								0.354	1.80											
90	155							CPR 9 90 155	9	0.840	90										
3.550	6.103								0.354	1.85											
100	170							CPR 10 100 170	10	1.13	100										
3.937	6.693								0.394	2.49											
110	190							CPR 12 110 190	12	1.70	110										
4.331	7.481								0.472	3.75											
120	210							CPR 12 120 210	12	2.10	120										
4.724	8.268								0.472	4.63											
130	225							CPR 12 130 225	12	2.40	130										
5.118	8.858								0.472	5.29											
140	240							CPR 14 140 240	14	3.20	140										
5.511	9.449								0.550	7.05											

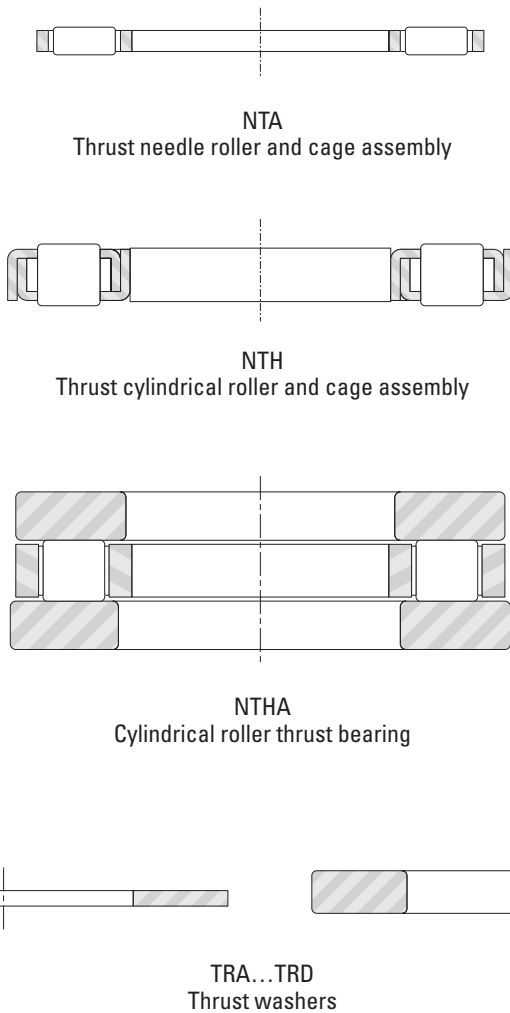
<sup>(1)</sup>Assembly designation shows 100,4 as D, but D dimension is 100.

**THRUST ASSEMBLIES AND THRUST BEARINGS – INCH SERIES**

Thrust assemblies and thrust bearings of inch series are available in a variety of sizes. This catalog includes the most popular, standardized designs. If the backup surfaces cannot be used as raceways, hardened thrust washers are available.

**REFERENCE STANDARDS ARE:**

- **ANSI/ABMA Std. 21.2** – thrust needle roller and cage assemblies and thrust washers – inch design.
- **ANSI/ABMA Std. 24.2** – thrust bearings of ball and cylindrical roller types – inch design.



**Fig. B6-5. Types of inch series thrust assemblies, thrust bearings and thrust washers**

**IDENTIFICATION**

NTA is the complete prefix code for a thrust needle roller and cage assembly with inch nominal dimensions using needle rollers of the smallest practical diameter.

Thrust cylindrical roller and cage assemblies with inch nominal dimensions are identified by the prefix letters NTH. They use large diameter cylindrical rollers, providing higher load ratings.

Thrust washers of inch nominal dimensions are identified by the prefix letters TR followed by another letter such as A, B or C etc. – indicating washer thickness. TRA is the complete prefix code for the thinnest thrust washer made to inch nominal dimensions.

Most thrust washers are intended to be piloted on their bores. Some washers, however, are designed to be piloted on their outer diameters. Such washers are identified by the letter D, following the thickness code letter. Thus TRJD is the complete prefix code for a thrust washer with inch nominal dimensions of J thickness and designed to be piloted by its outer diameter.

Cylindrical roller thrust bearings, with prefix code NTHA, are made up of one NTH assembly – one TRI or TRJ bore-piloted washer and one TRID or TRJD outer-diameter piloted washer.

Because the bearing designation for thrust assemblies does not appear on the bearing itself, the manufacturer's parts list or another reliable source should always be consulted when ordering bearings for service or field replacement – to make certain that the correct bearing with the correct lubricant is used.

**CONSTRUCTION**

Thrust needle roller and cage assemblies (NTA) and thrust cylindrical roller and cage assemblies (NTH) have hardened cages and through-hardened, precision-ground rollers. The cages are securely fastened assemblies of two mating pieces. This construction minimizes cage stress and assures that the roller retaining function of the cage is unaffected by normal wear. The needle rollers and the cylindrical rollers are precision ground and lapped to close tolerance for optimum load distribution.

Thrust washers for the thrust needle roller and cage assemblies are designed for bore piloting. The thinner thrust washers are tumble burnished and may be out-of-flat due to heat treatment – but will flatten under load. The raceway surfaces of thick thrust washers are ground and lapped.

Thrust washers for the thrust cylindrical roller and cage assemblies are available in both bore-piloted and outer-diameter piloted types. Their piloting surfaces are ground and raceway surfaces are ground and lapped.

**DIMENSIONAL ACCURACY**

**TOLERANCES FOR THRUST NEEDLE ROLLER AND CAGE ASSEMBLIES**

Pages B-6-52 to B-6-61, list the nominal outer diameter, bore diameter and the needle roller diameter for the inch thrust needle roller and cage assemblies and their corresponding thrust washers appear in the bearing tables.

Tolerances for the bore diameters and outer diameters of inch thrust assemblies are given in Table B6-14.

**Table B6-14. Tolerances for bore ( $D_{c1}$ ) and outer ( $D_c$ ) diameters of nominal inch thrust needle (NTA) and cylindrical (NTH) roller and cage assemblies**

NTA thrust needle roller and cage assemblies				
$D_w$	Deviations			
	$D_{c1}$		$D_c$	
	Bore diameter		Outer diameter	
Needle roller diameter (nominal)	Max.	Min.	Max.	Min.
mm in	mm in	mm in	mm in	mm in
1.981 0.078	+0.178 +0.007	+0.051 +0.002	-0.254 -0.010	-0.508 -0.020
3.175 0.125	+0.254 +0.010	+0.051 +0.002	-0.254 -0.010	-0.635 -0.025
NTH thrust cylindrical roller and cage assemblies				
All diameters	+0.381 +0.015	0.000 0.000	-0.127 -0.005	-0.508 -0.020

**BORE INSPECTION PROCEDURE FOR ASSEMBLY**

The bore diameter ( $D_{c1}$ ) of the assembly should be checked with "go" and "no go" plug gages. The "go" plug gage size is the minimum bore diameter of the assembly. The "no go" plug gage size is the maximum bore diameter of the assembly.

The assembly must fall freely from the "go" plug gage under its own free weight. The "no go" plug gage must not enter the bore. Where the "no go" plug gage can be forced through the bore, the assembly must not fall from the gage under its own weight.

**TOLERANCES FOR THRUST WASHERS**

Tolerances for the outer diameters and bore diameters of nominal inch thrust washers are given in Tables B6-15 and B6-16.

**Table B6-15. Tolerances for outer diameter ( $d_1$ ) of nominal inch (TRA, TRB, etc.) thrust washers**

$d_1$ :Nominal outer diameter				Deviations			
>		≤		Max.		Min.	
mm	in	mm	in	mm	in	mm	in
6.000	0.24	133.400	5.25	-0.025	-0.010	-0.760	-0.030

**Table B6-16. Tolerances for bore diameter ( $d$ ) of nominal inch (TRA, TRB, etc.) thrust washers**

$d$ :Nominal bore diameter				Deviations			
>		≤		Max.		Min.	
mm	in	mm	in	mm	in	mm	in
6.000	0.24	57.200	2.25	+0.300	+0.012	+0.050	+0.002
57.200	2.25	133.400	5.25	+0.430	+0.017	+0.050	+0.002

**BORE INSPECTION PROCEDURE FOR THRUST WASHER**

The bore diameter (d) of the thrust washer should be checked with “go” and “no go” plug gages. The “go” plug gage size is the minimum bore diameter of the thrust washer. The “no go” plug gage size is the maximum bore diameter of the thrust washer.

The thrust washer, under its own weight, must fall freely from the “go” plug gage. The “no go” plug gage must not enter the bore. Where the “no go” plug gage can be forced through the bore, the thrust washer must not fall from the gage under its own weight.

**TOLERANCES FOR CYLINDRICAL ROLLER THRUST BEARINGS**

The tolerances for inch series cylindrical roller thrust bearings, cylindrical roller cage and thrust assemblies and their corresponding component thrust washers appear in the bearing tables.

**MOUNTING TOLERANCES**

**THRUST NEEDLE ROLLER AND CAGE ASSEMBLIES**

On NTA inch type thrust needle roller and cage assemblies, the cage bore has a larger contact area and a closer tolerance than the outer diameter. Therefore, bore piloting is preferred for these assemblies. To reduce wear, it is suggested that the piloting surface for the cage be hardened to an equivalent of at least 55 HRC.

Where design requirements prevent bore piloting, the NTA thrust needle roller and cage assemblies may be piloted on the outer diameters. It should be noted that the “diameter to clear washer O.D.” given in the bearing tables is not suitable for outer diameter piloting. For such cases, suitable O.D. piloting dimensions should be determined in consultation with your representative.

**THRUST WASHERS FOR USE WITH NTA THRUST NEEDLE ROLLER AND CAGE ASSEMBLIES**

Ideally, a thrust washer should be stationary with respect to and piloted by its supporting or backing member – whether or not this is an integral part of the shaft or housing. There should be no rubbing action between the thrust washer and any other machine member. The economics of design, however, often preclude these ideal conditions and thrust washers must be employed in another manner. In such cases, design details should be determined in consultation with your representative.

**THRUST CYLINDRICAL ROLLER AND CAGE ASSEMBLIES**

Type NTH assembly cage has a relatively large contact area on both the bore and the outer diameter. Thus, these assemblies can be piloted by either the shaft or the housing. In order to reduce wear, it is suggested that the piloting surface for the cage be hardened to an equivalent of at least 55 HRC.

When the shaft is used as the piloting surface the outer diameter of the cage must clear the housing under all conditions. Conversely, when the housing is the piloting surface, the shaft must clear the cage bore under all conditions. The mounting dimensions are given in the bearing tables for both shaft and housing piloting. Bore inspection procedure for the assembly given on page B-6-49 should be used for checking the bore of NTH assemblies.

**THRUST WASHERS FOR USE WITH THRUST CYLINDRICAL ROLLER AND CAGE ASSEMBLIES**

Types TRID and TRJD thrust washers for use with thrust cylindrical roller and cage assemblies are designed to pilot from the housing and to clear the shaft. Types TRI and TRJ thrust washers are designed to pilot from the shaft and clear the housing. The thrust washers should be stationary with respect to their piloting (or locating) machine members. There should be no rubbing action between the washer and any other machine member.

**BACKUP SURFACES**

In some applications, it is desirable to use the backup surfaces as raceways for the rollers of the thrust assemblies. When this is done, these surfaces must be hardened to an equivalent of at least 58 HRC. If this hardness cannot be achieved and thrust washers cannot be used, the load ratings must be reduced as explained in the engineering section of this catalog.

Thrust raceway surfaces must be ground to a surface of 8 µin Ra (0.20 µm Ra). When this requirement cannot be met, thrust washers must be used.

The raceways against which the rollers operate or the surfaces against which the thrust washers bear must be square with the axis of the shaft. Equally important, the raceway or surface backing the thrust washer must not be dished or coned. The permissible limits of out-of-squareness and dishing or coning are shown in the figures below.

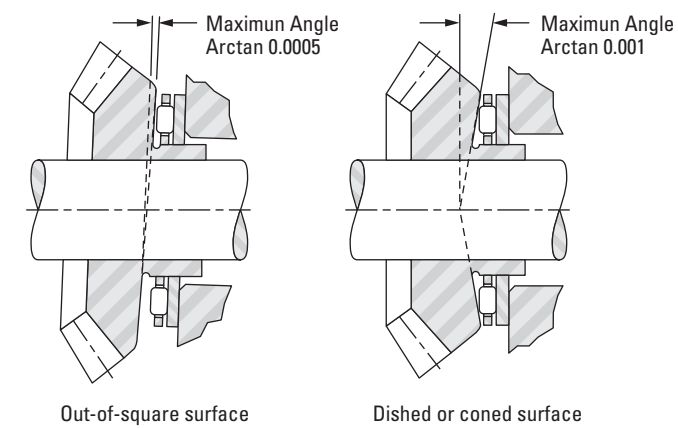


Fig. B6-6. Permissible limits

**TYPE NTHA CYLINDRICAL ROLLER THRUST BEARING**

The NTHA cylindrical roller thrust bearing consists of the NTH thrust cylindrical roller and cage assembly and two thrust washers. This bearing is sold as a unit.

A typical mounting of the thrust bearing on a rotating shaft is shown in Fig. B6-7. The bore of the rotating shaft supported thrust washer is ground for an accurate fit on the shaft. The outer diameter of the stationary housing supported thrust washer is ground for a proper fit in the housing.

The NTHA cylindrical roller thrust bearing cage is normally shaft piloted. In the event it is necessary to pilot the cage by the housing – Fig. B6-8 illustrates a possible mounting arrangement. When other mounting arrangements are dictated by the application, they should be determined in consultation with your representative.

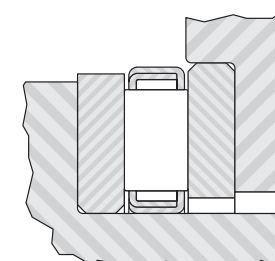


Fig. B6-7. Typical mounting of a thrust bearing when the shaft rotates

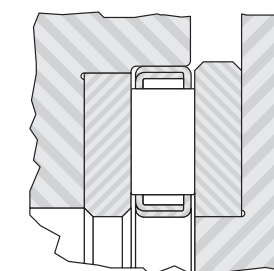


Fig. B6-8. NTHA possible mounting arrangement

**LOAD RATINGS**

**MINIMUM AXIAL LOAD**

Slippage can occur if the applied axial load is too light and the operating speed of the thrust needle roller and cage assembly is high – particularly if accompanied by inadequate lubrication. For satisfactory operation, a certain minimum load must be applied to a thrust needle roller and cage assembly which can be calculated from:

$$F_{a \text{ min}} = C_0/2200 \text{ [kN]}$$

Where:

$$C_0 = \text{static load rating [kN]}$$

$$F_{a \text{ min}} = \text{minimum axial load [kN]}$$

**LUBRICATION**

Oil is the preferred lubricant for thrust needle or cylindrical roller and cage assemblies. An ample oil flow is absolutely necessary for high speeds or for moderate speeds when the load is relatively high.

**SPECIAL DESIGNS**

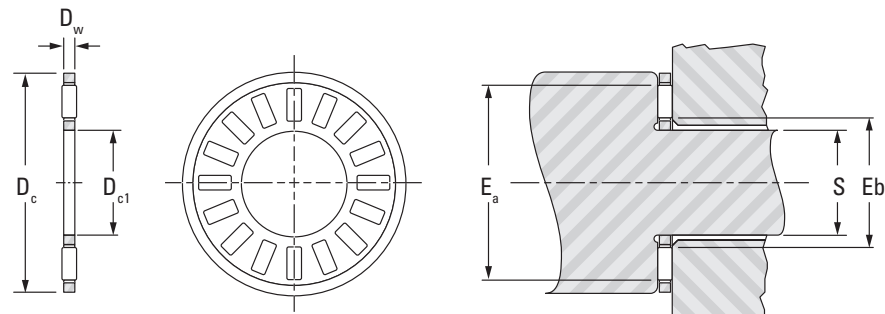
Thrust needle roller and cage assemblies and thrust washers are also made to special dimensions and configurations, as well as from special materials – when quantities permit economical manufacture.

Thrust needle roller and cage assemblies are particularly adaptable to low-cost integral combinations, with special thrust washers. When the use of such special designs are considered, the following pages should be reviewed for evaluation of proposed arrangements.

**THRUST NEEDLE ROLLER AND CAGE ASSEMBLIES, THRUST WASHERS**

**INCH SERIES**

- Dimensions for bore and O.D. of thrust assemblies and washers are nominal.
- See page B-6-50 for details on piloting and backup surfaces.
- Thrust washers burnished at least one-quarter of bore area (remainder is rough breakaway finish).
- O.D. finish of washers will be as blanked.

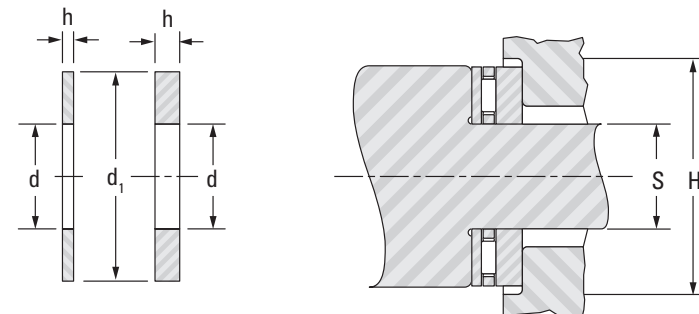


NTA

Raceway hardness to be 58 HRC or equivalent

Shaft Dia.	D <sub>c1</sub>	D <sub>c</sub>	D <sub>w</sub>	E <sub>b</sub>	E <sub>a</sub>	Assembly Designation	Load Ratings		Speed Rating <sup>(1)</sup>	Wt.
							C	C <sub>0</sub>		
							Dynamic	Static		
in	mm in	mm in	mm in	mm in	mm in		kN lbf	min <sup>-1</sup>	kg lbs	
1/4	6.35 0.250	17.45 0.687	1.984 0.0781	8.636 0.340	14.732 0.580	NTA-411	5.12 1150 10.76 2420	26000	0.001 0.003	
5/16	7.92 0.312	19.05 0.75	1.984 0.0781	10.16 0.400	16.256 0.640	NTA-512	5.83 1310 13.17 2960	24000	0.002 0.004	
3/8	9.53 0.375	20.625 0.812	1.984 0.0781	11.68 0.460	18.034 0.710	NTA-613	6.05 1360 14.32 3220	22000	0.002 0.004	
1/2	12.70 0.500	23.80 0.937	1.984 0.0781	14.99 0.590	21.08 0.830	NTA-815	7.16 1610 19.13 4300	19000	0.002 0.005	
9/16	14.275 0.562	25.40 1.000	1.9837 0.0781	16.51 0.650	22.606 0.890	NTA-916	7.70 1730 21.53 4840	18000	0.003 0.006	
5/8	15.88 0.625	28.575 1.125	1.9837 0.0781	18.03 0.710	25.908 1.020	NTA-1018	9.79 2200 30.38 6830	15000	0.003 0.007	

<sup>(1)</sup>Speed ratings listed are based on adequate oil lubrication. See page B-6-51 for lubrication information. Suggestions for an application requiring O.D. piloting should be determined in consultation with your representative.



Thrust Washer Designation	d	d <sub>1</sub>	h		S		H <sup>(2)</sup> Dia. To Clear O.D.	Washer Wt.	Shaft Dia.
			Max.	Min.	Max.	Min.			
			mm in	mm in	mm in	mm in			
TRA-411	6.35 0.250	17.45 0.687	0.81 0.032	0.76 0.030	6.35 0.250	6.27 0.247	18.26 0.719	0.001 0.003	1/4
TRB-411	6.35 0.250	17.45 0.687	1.60 0.063	1.52 0.060	6.35 0.250	6.27 0.247	18.26 0.719	0.002 0.005	
TRC-411	6.35 0.250	17.45 0.687	2.41 0.095	2.34 0.092	6.35 0.250	6.27 0.247	18.26 0.719	0.004 0.008	
TRA-512	7.92 0.312	19.05 0.750	0.81 0.032	0.76 0.030	7.92 0.312	7.85 0.309	19.84 0.781	0.001 0.003	5/16
TRB-512	7.92 0.312	19.05 0.750	1.60 0.063	1.52 0.060	7.92 0.312	7.85 0.309	19.84 0.781	0.003 0.006	
TRA-613	9.53 0.375	20.62 0.812	0.81 0.032	0.76 0.030	9.53 0.375	9.45 0.372	21.44 0.844	0.001 0.003	3/8
TRB-613	9.53 0.375	20.62 0.812	1.60 0.063	1.52 0.060	9.53 0.375	9.45 0.372	21.44 0.844	0.003 0.006	
TRC-613	9.53 0.375	20.62 0.812	2.41 0.095	2.34 0.092	9.53 0.375	9.45 0.372	21.44 0.844	0.004 0.009	
TRA-815	12.70 0.500	23.80 0.937	0.81 0.032	0.76 0.030	12.70 0.500	12.62 0.497	24.61 0.969	0.002 0.004	1/2
TRB-815	12.70 0.500	23.80 0.937	1.60 0.063	1.52 0.060	12.70 0.500	12.62 0.497	24.61 0.969	0.004 0.008	
TRC-815	12.70 0.500	23.80 0.937	2.41 0.095	2.34 0.092	12.70 0.500	12.62 0.497	24.61 0.969	0.005 0.012	
TRA-916	14.27 0.562	25.40 1.000	0.81 0.032	0.76 0.030	14.27 0.562	14.20 0.559	26.19 1.031	0.002 0.005	9/16
TRB-916	14.27 0.562	25.40 1.000	1.60 0.063	1.52 0.060	14.27 0.562	14.20 0.559	26.19 1.031	0.004 0.008	
TRC-916	14.27 0.562	25.40 1.000	2.41 0.095	2.34 0.092	14.27 0.562	14.20 0.559	26.19 1.031	0.006 0.013	
TRA-1018	15.88 0.625	28.58 1.125	0.81 0.032	0.76 0.030	15.88 0.625	15.80 0.622	29.36 1.156	0.003 0.006	5/8
TRB-1018	15.88 0.625	28.58 1.125	1.60 0.063	1.52 0.060	15.88 0.625	15.80 0.622	29.36 1.156	0.005 0.012	
TRC-1018	15.88 0.625	28.58 1.125	2.41 0.095	2.34 0.092	15.88 0.625	15.80 0.622	29.36 1.156	0.008 0.018	
TRD-1018	15.88 0.625	28.58 1.125	3.20 0.126	3.12 0.123	15.88 0.625	15.80 0.622	29.36 1.156	0.011 0.024	
TRE-1018	15.88 0.625	28.58 1.125	3.99 0.157	3.91 0.154	15.88 0.625	15.80 0.622	29.36 1.156	0.013 0.029	

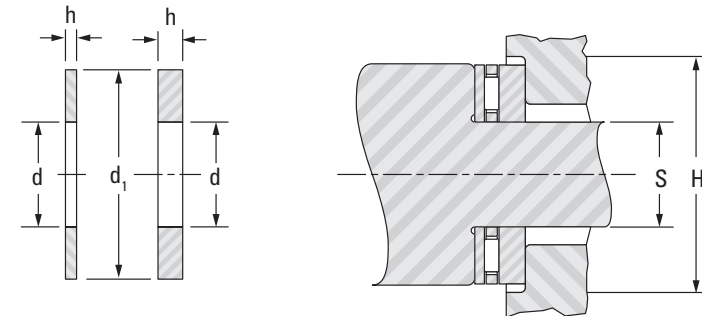
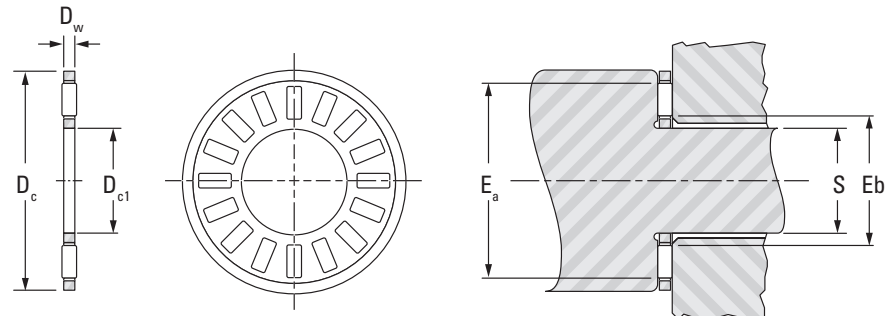
<sup>(2)</sup>Continued on next page.

<sup>(2)</sup>If the shaft and the housing adjacent to the bearing O.D. are not concentric, the T.I.R. between the shaft and housing should be added to this dimension.

THRUST NEEDLE ROLLER AND CAGE ASSEMBLIES, THRUST WASHERS

INCH SERIES

- Dimensions for bore and O.D. of thrust assemblies and washers are nominal.
- See page B-6-50 for details on piloting and backup surfaces.
- Thrust washers burnished at least one-quarter of bore area (remainder is rough breakaway finish).
- O.D. finish of washers will be as blanked.



Shaft Dia.	D <sub>c1</sub>	D <sub>c</sub>	D <sub>w</sub>	E <sub>b</sub>	E <sub>a</sub>	Assembly Designation	Load Ratings		Speed Rating <sup>(1)</sup>	Wt.
							C	C <sub>0</sub>		
							Dynamic	Static		
in	mm in	mm in	mm in	mm in	mm in		kN	lbf	min <sup>-1</sup>	kg lbs
3/4	19.05 0.750	31.75 1.250	1.9837 0.0781	21.34 0.840	28.956 1.140	NTA-1220	10.90 2450	36.48 8200	14000	0.004 0.009
7/8	22.23 0.875	36.50 1.437	1.984 0.0781	24.38 0.960	33.782 1.330	NTA-1423	13.43 3020	49.82 11200	12000	0.005 0.011
7/8	22.23 0.875	42.85 1.687	1.984 0.0781	25.91 1.020	39.878 1.570	NTC-1427	18.46 4150	78.29 17600	9800	0.008 0.017
1	25.40 1.000	39.675 1.562	1.984 0.0781	27.69 1.090	36.83 1.450	NTA-1625	13.83 3110	53.82 12100	11000	0.006 0.013
1 1/8	28.58 1.125	44.45 1.75	1.9837 0.0781	30.73 1.210	41.656 1.640	NTA-1828	16.68 3750	71.17 16000	9600	0.009 0.019

Thrust Washer Designation	d	d <sub>1</sub>	h		S		H <sup>(2)</sup> Dia. To Clear O.D.	Washer Wt.	Shaft Dia.
			Max.	Min.	Max.	Min.			
			mm in	mm in	mm in	mm in			
TRA-1220	19.05 0.750	31.75 1.250	0.81 0.032	0.76 0.030	19.05 0.750	18.97 0.747	32.54 1.281	0.003 0.007	3/4
TRB-1220	19.05 0.750	31.75 1.250	1.60 0.063	1.52 0.060	19.05 0.750	18.97 0.747	32.54 1.281	0.006 0.013	
TRC-1220	19.05 0.750	31.75 1.250	2.41 0.095	2.34 0.092	19.05 0.750	18.97 0.747	32.54 1.281	0.010 0.021	
TRD-1220	19.05 0.750	31.75 1.250	3.20 0.126	3.12 0.123	19.05 0.750	18.97 0.747	32.54 1.281	0.012 0.026	
TRE-1220	19.05 0.750	31.75 1.250	3.99 0.157	3.91 0.154	19.05 0.750	18.97 0.747	32.54 1.281	0.015 0.033	
TRA-1423	22.23 0.875	36.50 1.437	0.81 0.032	0.76 0.030	22.23 0.875	22.15 0.872	37.31 1.469	0.004 0.009	7/8
TRB-1423	22.23 0.875	36.50 1.437	1.60 0.063	1.52 0.060	22.23 0.875	22.15 0.872	37.31 1.469	0.008 0.017	
TRC-1423	22.23 0.875	36.50 1.437	2.41 0.095	2.34 0.092	22.23 0.875	22.15 0.872	37.31 1.469	0.012 0.026	
TRD-1423	22.23 0.875	36.50 1.437	3.20 0.126	3.12 0.123	22.23 0.875	22.15 0.872	37.31 1.469	0.015 0.034	
TRB-1427	22.23 0.875	42.86 1.688	1.60 0.063	1.52 0.060	22.23 0.875	22.15 0.872	43.66 1.719	0.013 0.029	
TRC-1427	22.23 0.875	42.86 1.688	2.41 0.095	2.34 0.092	22.23 0.875	22.15 0.872	43.66 1.719	0.020 0.044	
TRD-1427	22.23 0.875	42.86 1.688	3.20 0.126	3.12 0.123	22.23 0.875	22.15 0.872	43.66 1.719	0.026 0.057	
TRA-1625	25.40 1.000	39.67 1.562	0.81 0.032	0.76 0.030	25.40 1.000	25.32 0.997	40.49 1.594	0.005 0.010	1
TRB-1625	25.40 1.000	39.67 1.562	1.60 0.063	1.52 0.060	25.40 1.000	25.32 0.997	40.49 1.594	0.009 0.019	
TRD-1625	25.40 1.000	39.67 1.562	3.20 0.126	3.12 0.123	25.40 1.000	25.32 0.997	40.49 1.594	0.017 0.038	
TRE-1625	25.40 1.000	39.67 1.562	3.99 0.157	3.91 0.154	25.40 1.000	25.32 0.997	40.49 1.594	0.021 0.047	
TRA-1828	28.58 1.125	44.45 1.750	0.81 0.032	0.76 0.030	28.58 1.125	28.50 1.122	45.24 1.781	0.006 0.013	1 1/8
TRB-1828	28.58 1.125	44.45 1.750	1.60 0.063	1.52 0.060	28.58 1.125	28.50 1.122	45.24 1.781	0.011 0.024	
TRC-1828	28.58 1.125	44.45 1.750	2.41 0.095	2.34 0.092	28.58 1.125	28.50 1.122	45.24 1.781	0.017 0.037	

<sup>(1)</sup>Speed ratings listed are based on adequate oil lubrication. See page B-6-51 for lubrication information. Suggestions for an application requiring O.D. piloting should be determined in consultation with your representative.

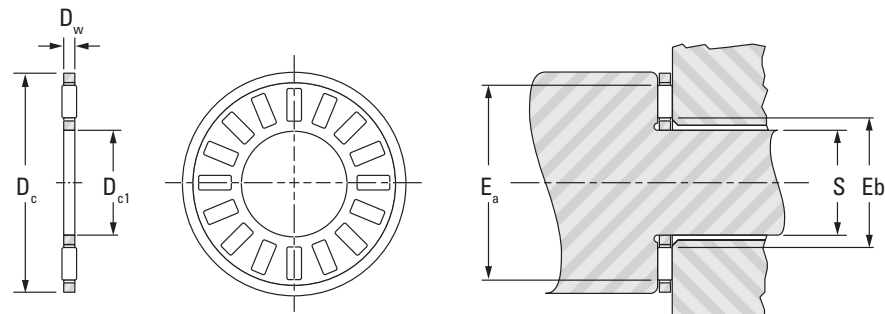
<sup>(2)</sup>If the shaft and the housing adjacent to the bearing O.D. are not concentric, the T.I.R. between the shaft and housing should be added to this dimension.

Continued on next page.

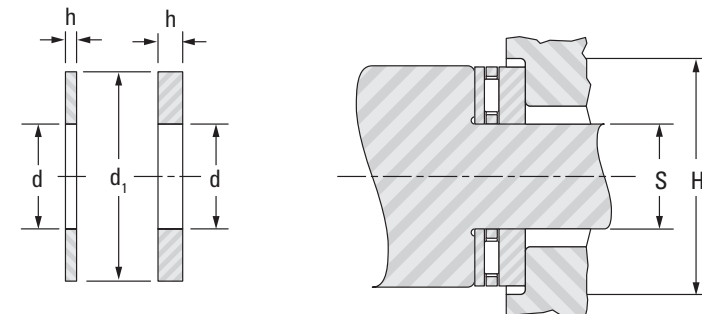
**THRUST NEEDLE ROLLER AND CAGE ASSEMBLIES, THRUST WASHERS**

**INCH SERIES**

- Dimensions for bore and O.D. of thrust assemblies and washers are nominal.
- See page B-6-50 for details on piloting and backup surfaces.
- Thrust washers burnished to at least one-quarter of bore area (remainder is rough breakaway finish).
- O.D. finish of washers will be as blanked.



Shaft Dia.	D <sub>c1</sub>	D <sub>c</sub>	D <sub>w</sub>	E <sub>b</sub>	E <sub>a</sub>	Assembly Designation	Load Ratings		Speed Rating <sup>(1)</sup>	Wt.
							Dynamic	Static		
							kN lbf			
in	mm in	mm in	mm in	mm in	mm in				min <sup>-1</sup>	kg lbs
1 1/4	31.75 1.250	49.20 1.937	1.9837 0.0781	34.04 1.340	46.228 1.820	NTA-2031	20.15 4530	93.41 21000	8600	0.010 0.021
1 3/8	34.93 1.375	52.375 2.062	1.9837 0.0781	37.08 1.460	49.53 1.950	NTA-2233	21.35 4800	103.20 23200	8000	0.010 0.023
1 1/2	38.10 1.500	55.55 2.187	1.9837 0.0781	40.39 1.590	52.578 2.070	NTA-2435	23.22 5220	117.88 26500	7600	0.011 0.025
1 3/4	44.45 1.750	63.50 2.500	1.984 0.0781	46.74 1.840	58.928 2.320	NTA-2840	25.31 5690	137.45 30900	6800	0.014 0.031



Thrust Washer Designation	d	d <sub>1</sub>	h		S		H <sup>(2)</sup> Dia. To Clear O.D.	Washer Wt.	Shaft Dia.
			Max.	Min.	Max.	Min.			
			mm in	mm in	mm in	mm in			
TRD-1828	28.58 1.125	44.45 1.750	3.20 0.126	3.12 0.123	28.58 1.125	28.50 1.122	45.24 1.781	0.022 0.048	
TRA-2031	31.75 1.250	49.20 1.937	0.81 0.032	0.76 0.030	31.75 1.250	31.67 1.247	50.01 1.969	0.007 0.015	1 1/4
TRB-2031	31.75 1.250	49.20 1.937	1.60 0.063	1.52 0.060	31.75 1.250	31.67 1.247	50.01 1.969	0.014 0.030	
TRC-2031	31.75 1.250	49.20 1.937	2.41 0.095	2.34 0.092	31.75 1.250	31.67 1.247	50.01 1.969	0.020 0.044	
TRD-2031	31.75 1.250	49.20 1.937	3.20 0.126	3.12 0.123	31.75 1.250	31.67 1.247	50.01 1.969	0.026 0.058	
TRF-2031	31.75 1.250	49.20 1.937	4.78 0.188	4.70 0.185	31.75 1.250	31.67 1.247	50.01 1.969	0.041 0.090	
TRA-2233	34.93 1.375	52.37 2.062	0.81 0.032	0.76 0.030	34.93 1.375	34.85 1.372	53.19 2.094	0.007 0.016	1 3/8
TRB-2233	34.93 1.375	52.37 2.062	1.60 0.063	1.52 0.060	34.93 1.375	34.85 1.372	53.19 2.094	0.015 0.033	
TRC-2233	34.93 1.375	52.37 2.062	2.41 0.095	2.34 0.092	34.93 1.375	34.85 1.372	53.19 2.094	0.018 0.040	
TRD-2233	34.93 1.375	52.37 2.062	3.20 0.126	3.12 0.123	34.93 1.375	34.85 1.372	53.19 2.094	0.029 0.065	
TRE-2233	34.93 1.375	52.37 2.062	3.99 0.157	3.91 0.154	34.93 1.375	34.85 1.372	53.19 2.094	0.037 0.081	
TRF-2233	34.93 1.375	52.37 2.062	4.78 0.188	4.70 0.185	34.93 1.375	34.85 1.372	53.19 2.094	0.044 0.097	
TRA-2435	38.10 1.500	55.55 2.187	0.81 0.032	0.76 0.030	38.10 1.500	38.02 1.497	56.36 2.219	0.008 0.017	1 1/2
TRB-2435	38.10 1.500	55.55 2.187	1.60 0.063	1.52 0.060	38.10 1.500	38.02 1.497	56.36 2.219	0.015 0.034	
TRC-2435	38.10 1.500	55.55 2.187	2.41 0.095	2.34 0.092	38.10 1.500	38.02 1.497	56.36 2.219	0.023 0.050	
TRD-2435	38.10 1.500	55.55 2.187	3.20 0.126	3.12 0.123	38.10 1.500	38.02 1.497	56.36 2.219	0.030 0.067	
TRF-2435	38.10 1.500	55.55 2.187	4.78 0.188	4.70 0.185	38.10 1.500	38.02 1.497	56.36 2.219	0.045 0.100	
TRA-2840	44.45 1.750	63.50 2.500	0.81 0.032	0.76 0.030	44.45 1.750	44.37 1.747	64.29 2.531	0.010 0.021	1 3/4
TRB-2840	44.45 1.750	63.50 2.500	1.60 0.063	1.52 0.060	44.45 1.750	44.37 1.747	64.29 2.531	0.020 0.044	

<sup>(1)</sup>Speed ratings listed are based on adequate oil lubrication. See page B-6-51 for lubrication information. Suggestions for an application requiring O.D. piloting should be determined in consultation with your representative.

<sup>(2)</sup>If the shaft and the housing adjacent to the bearing O.D. are not concentric, the T.I.R. between the shaft and housing should be added to this dimension.

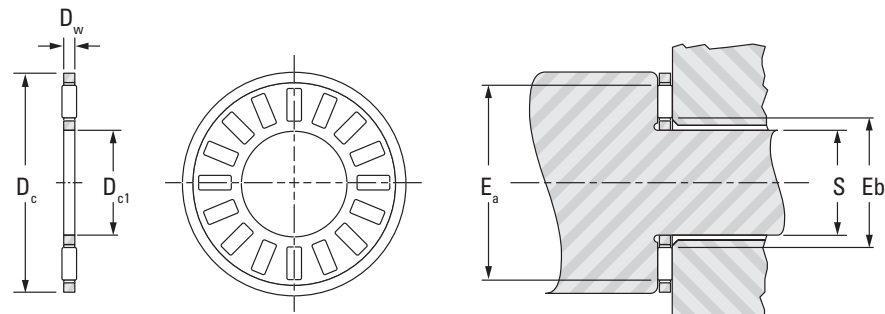
*Continued on next page.*



**THRUST NEEDLE ROLLER AND CAGE ASSEMBLIES, THRUST WASHERS**

**INCH SERIES**

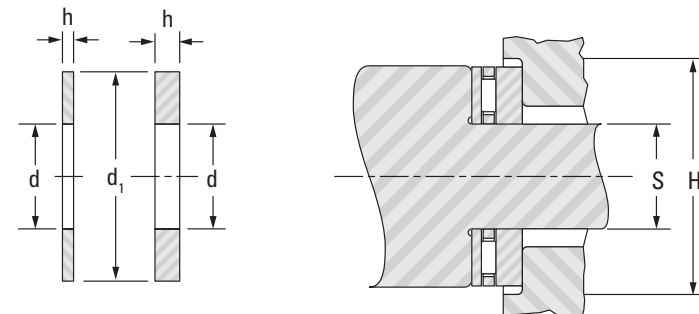
- Dimensions for bore and O.D. of thrust assemblies and washers are nominal.
- See page B-6-50 for details on piloting and backup surfaces.
- Thrust washers burnished at least one-quarter of bore area (remainder is rough breakaway finish).
- O.D. finish of washers will be as blanked.



NTA

Raceway hardness to be 58 HRC or equivalent

Shaft Dia.	D <sub>c1</sub>	D <sub>c</sub>	D <sub>w</sub>	E <sub>b</sub>	E <sub>a</sub>	Assembly Designation	Load Ratings		Speed Rating <sup>(1)</sup>	Wt.
							Dynamic	Static		
							kN lbf			
in	mm in	mm in	mm in	mm in	mm in				min <sup>-1</sup>	kg lbs
2	50.80 2.000	69.85 2.750	1.9837 0.0781	53.09 2.090	65.278 2.570	NTA-3244	24.02 5400	132.56 29800	6100	0.015 0.033
2 1/8	53.98 2.125	73.025 2.875	1.984 0.0781	56.39 2.220	68.58 2.700	NTA-3446	24.42 5490	137.45 30900	5800	0.016 0.036
2 1/4	57.15 2.250	76.20 3.000	1.984 0.0781	59.44 2.340	71.628 2.820	NTA-3648	24.78 5570	142.34 32000	5600	0.017 0.038
2 3/4	57.15 2.250	79.375 3.125	3.175 0.1250	59.94 2.360	75.184 2.960	NTA-3650	37.68 8470	177.04 39800	5300	0.029 0.064
2 1/2	63.50 2.500	82.55 3.250	1.9837 0.0781	65.79 2.590	77.978 3.070	NTA-4052	25.53 5740	152.13 34200	5100	0.019 0.041



Thrust Washer Designation	d	d <sub>1</sub>	h		S		H <sup>(2)</sup> Dia. To Clear O.D.	Washer Wt.	Shaft Dia.
			Max.	Min.	Max.	Min.			
			mm in	mm in	mm in	mm in			
TRC-2840	44.45 1.750	63.50 2.500	2.41 0.095	2.34 0.092	44.45 1.750	44.37 1.747	64.29 2.531	0.029 0.063	
TRD-2840	44.45 1.750	63.50 2.500	3.20 0.126	3.12 0.123	44.45 1.750	44.37 1.747	64.29 2.531	0.038 0.084	
TRF-2840	44.45 1.750	63.50 2.500	4.78 0.188	4.70 0.185	44.45 1.750	44.37 1.747	64.29 2.531	0.057 0.126	
TRA-3244	50.80 2.000	69.85 2.750	0.81 0.032	0.76 0.030	50.80 2.000	50.72 1.997	70.64 2.781	0.011 0.024	2
TRB-3244	50.80 2.000	69.85 2.750	1.60 0.063	1.52 0.060	50.80 2.000	50.72 1.997	70.64 2.781	0.022 0.048	
TRC-3244	50.80 2.000	69.85 2.750	2.41 0.095	2.34 0.092	50.80 2.000	50.72 1.997	70.64 2.781	0.033 0.072	
TRD-3244	50.80 2.000	69.85 2.750	3.20 0.126	3.12 0.123	50.80 2.000	50.72 1.997	70.64 2.781	0.044 0.096	
TRF-3244	50.80 2.000	69.85 2.750	4.78 0.188	4.70 0.185	50.80 2.000	50.72 1.997	70.64 2.781	0.066 0.145	
TRA-3446	53.98 2.125	73.03 2.875	0.81 0.032	0.76 0.030	53.98 2.125	53.90 2.122	73.81 2.906	0.012 0.026	2 1/8
TRB-3446	53.98 2.125	73.03 2.875	1.60 0.063	1.52 0.060	53.98 2.125	53.90 2.122	73.81 2.906	0.024 0.052	
TRC-3446	53.98 2.125	73.03 2.875	2.41 0.095	2.34 0.092	53.98 2.125	53.90 2.122	73.81 2.906	0.035 0.078	
TRD-3446	53.98 2.125	73.03 2.875	3.20 0.126	3.12 0.123	53.98 2.125	53.90 2.122	73.81 2.906	0.047 0.103	
TRA-3648	57.15 2.250	76.20 3.000	0.81 0.032	0.76 0.030	57.15 2.250	57.07 2.247	76.99 3.031	0.012 0.026	2 1/4
TRB-3648	57.15 2.250	76.20 3.000	1.60 0.063	1.52 0.060	57.15 2.250	57.07 2.247	76.99 3.031	0.022 0.048	
TRC-3648	57.15 2.250	76.20 3.000	2.41 0.095	2.34 0.092	57.15 2.250	57.07 2.247	76.99 3.031	0.037 0.081	
TRD-3648	57.15 2.250	76.20 3.000	3.20 0.126	3.12 0.123	57.15 2.250	57.07 2.247	76.99 3.031	0.048 0.105	
TRF-3648	57.15 2.250	76.20 3.000	4.78 0.188	4.70 0.185	57.15 2.250	57.07 2.247	76.99 3.031	0.071 0.157	
					57.15 2.250	57.07 2.247	76.99 3.156		2 1/4
TRA-4052	63.50 2.500	82.55 3.250	0.81 0.032	0.76 0.030	63.50 2.500	63.42 2.497	83.34 3.281	0.013 0.029	2 1/2
TRB-4052	63.50 2.500	82.55 3.250	1.60 0.063	1.52 0.060	63.50 2.500	63.42 2.497	83.34 3.281	0.027 0.059	

<sup>(1)</sup>Speed ratings listed are based on adequate oil lubrication. See page B-6-51 for lubrication information. Suggestions for an application requiring O.D. piloting should be determined in consultation with your representative.

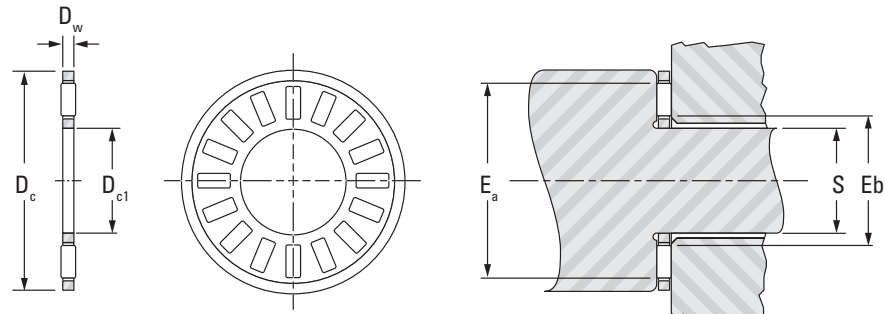
<sup>(2)</sup>If the shaft and the housing adjacent to the bearing O.D. are not concentric, the T.I.R. between the shaft and housing should be added to this dimension.

Continued on next page.

THRUST NEEDLE ROLLER AND CAGE ASSEMBLIES, THRUST WASHERS

INCH SERIES

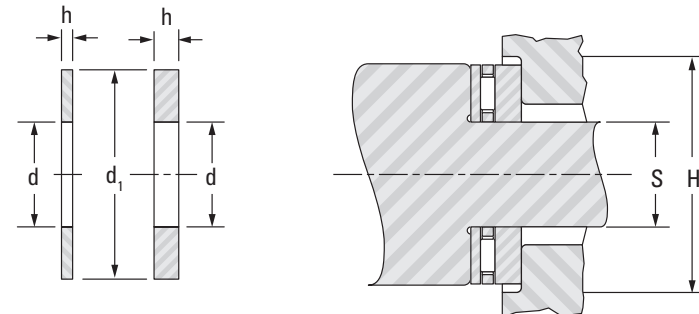
- Dimensions for bore and O.D. of thrust assemblies and washers are nominal.
- See page B-6-50 for details on piloting and backup surfaces.
- Thrust washers burnished at least one-quarter of bore area (remainder is rough breakaway finish).
- O.D. finish of washers will be as blanked.



NTA

Raceway hardness to be 58 HRC or equivalent

Shaft Dia.	D <sub>c1</sub>	D <sub>c</sub>	D <sub>w</sub>	E <sub>b</sub>	E <sub>a</sub>	Assembly Designation	Load Ratings		Speed Rating <sup>(1)</sup>	Wt.
							Dynamic	Static		
							kN lbf			
in	mm in	mm in	mm in	mm in	mm in				min <sup>-1</sup>	kg lbs
2 3/4	69.85 2.750	92.075 3.625	3.175 0.1250	72.64 2.860	87.884 3.460	NTA-4458	47.60 10700	255.8 57500	4600	0.037 0.082
3	76.20 3.000	95.25 3.750	1.9837 0.0781	78.49 3.090	90.678 3.570	NTA-4860	26.96 6060	172.1 38700	4400	0.022 0.048
3 1/4	82.55 3.250	104.78 4.125	3.175 0.1250	85.34 3.360	100.58 3.960	NTA-5266	51.60 11600	294.9 66300	4000	0.042 0.092
3 3/4	95.25 3.750	117.48 4.625	3.175 0.1250	98.04 3.860	113.28 4.460	NTA-6074	56.05 12600	344.3 77400	3500	0.050 0.11
4 1/8	104.78 4.125	128.57 5.062	3.175 0.125	107.44 4.230	124.46 4.900	NTA-6681	63.61 14300	414.6 93200	3200	0.062 0.136



Thrust Washer Designation	d	d <sub>1</sub>	h		S		H <sup>(2)</sup> Dia. To Clear O.D.	Washer Wt.	Shaft Dia.
			Max.	Min.	Max.	Min.			
			mm in	mm in	mm in	mm in			
TRC-4052	63.50 2.500	82.55 3.250	2.41 0.095	2.34 0.092	63.50 2.500	63.42 2.497	83.34 3.281	0.041 0.09	
TRA-4458	69.85 2.750	92.08 3.625	0.81 0.032	0.76 0.030	69.85 2.750	69.77 2.747	92.86 3.656	0.018 0.039	2 3/4
TRB-4458	69.85 2.750	92.08 3.625	1.60 0.063	1.52 0.060	69.85 2.750	69.77 2.747	92.86 3.656	0.035 0.077	
TRD-4458	69.85 2.750	92.08 3.625	3.20 0.126	3.12 0.123	69.85 2.750	69.77 2.747	92.86 3.656	0.051 0.113	
TRF-4458	69.85 2.750	92.08 3.625	4.78 0.188	4.70 0.185	69.85 2.750	69.77 2.747	92.86 3.656	0.104 0.229	
TRA-4860	76.20 3.000	95.25 3.750	0.81 0.032	0.76 0.030	76.20 3.000	76.12 2.997	96.04 3.781	0.015 0.034	3
TRB-4860	76.20 3.000	95.25 3.750	1.60 0.063	1.52 0.060	76.20 3.000	76.12 2.997	96.04 3.781	0.032 0.07	
TRD-4860	76.20 3.000	95.25 3.750	3.20 0.126	3.12 0.123	76.20 3.000	76.12 2.997	96.04 3.781	0.061 0.135	
TRA-5266	82.55 3.250	104.78 4.125	0.81 0.032	0.76 0.030	82.55 3.250	82.47 3.247	105.56 4.156	0.020 0.044	3 1/4
TRB-5266	82.55 3.250	104.78 4.125	3.20 0.126	3.12 0.123	82.55 3.250	82.47 3.247	105.56 4.156	0.080 0.176	
TRA-6074	95.25 3.750	117.48 4.625	0.81 0.032	0.76 0.030	95.25 3.750	95.17 3.747	118.26 4.656	0.023 0.05	3 3/4
TRB-6074	95.25 3.750	117.48 4.625	1.60 0.063	1.52 0.060	95.25 3.750	95.17 3.747	118.26 4.656	0.046 0.101	
TRD-6074	95.25 3.750	117.48 4.625	3.20 0.126	3.12 0.123	95.25 3.750	95.17 3.747	118.26 4.656	0.069 0.152	
TRA-6681	104.78 4.125	128.57 5.062	0.81 0.032	0.76 0.030	104.78 4.125	104.70 4.122	129.39 5.094	0.027 0.059	4 1/8
TRB-6681	104.78 4.125	128.57 5.062	2.41 0.095	2.34 0.092	104.78 4.125	104.70 4.122	129.39 5.094	0.081 0.178	
TRD-6681	104.78 4.125	128.57 5.062	3.20 0.126	3.12 0.123	104.78 4.125	104.70 4.122	129.39 5.094	0.109 0.24	
TRF-6681	104.78 4.125	128.57 5.062	4.78 0.188	4.70 0.185	104.78 4.125	104.70 4.122	129.39 5.094	0.161 0.354	

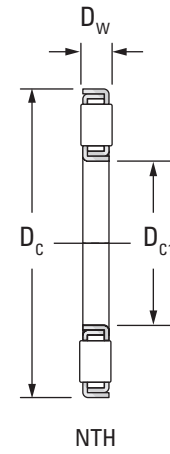
<sup>(1)</sup>Speed ratings listed are based on adequate oil lubrication. See page B-6-51 for lubrication information. Suggestions for an application requiring O.D. piloting should be determined in consultation with your representative.

<sup>(2)</sup>If the shaft and the housing adjacent to the bearing O.D. are not concentric, the T.I.R. between the shaft and housing should be added to this dimension.

THRUST CYLINDRICAL ROLLER AND CAGE ASSEMBLIES

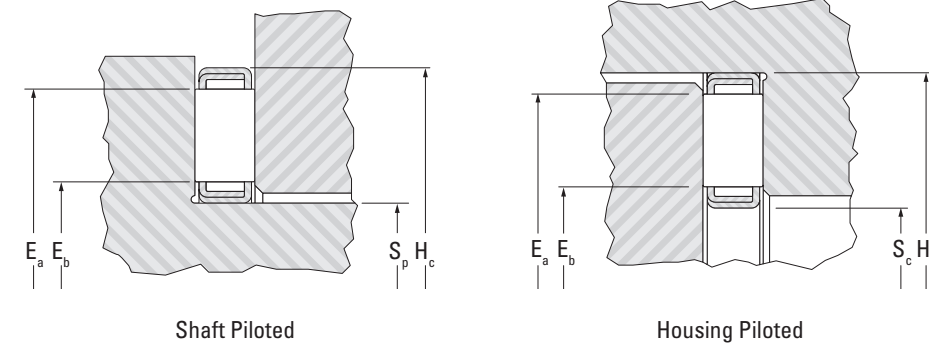
INCH SERIES

- Backup surfaces should be flat and square with the centerline of the shaft.
- See pages B-6-50 for details on piloting and backup surfaces.



Shaft Dia.	D <sub>c1</sub>	D <sub>c</sub>	D <sub>w</sub>	Assembly Designation	C		Speed Rating <sup>(1)</sup>
					Load Ratings		
					Dynamic	Static	
in	mm in	mm in	mm in		kN lbf		min <sup>-1</sup>
1 1/2	38.15 1.502	75.44 2.970	6.35 0.250	NTH-2448	81.8 18400	280 62900	5700
2	50.85 2.002	91.31 3.595	9.53 0.375	NTH-3258	129 29000	407 91600	4700
2 1/8	54.03 2.127	94.49 3.720	9.53 0.375	NTH-3460	133 30000	433 97400	4500
2 1/4	57.20 2.252	97.66 3.845	9.53 0.375	NTH-3662	138 31100	458 103000	4400
2 3/8	60.38 2.377	100.84 3.970	9.53 0.375	NTH-3864	143 32100	484.9 109000	4200
2 1/2	63.55 2.502	104.01 4.095	9.53 0.375	NTH-4066	147 33000	511 115000	4100
2 5/8	66.73 2.627	109.60 4.315	9.53 0.375	NTH-4270	156 35100	556 125000	3900
2 3/4	69.98 2.755	112.78 4.440	9.53 0.375	NTH-4472	161 36100	587 132000	3800
3	76.33 3.005	119.13 4.690	9.53 0.375	NTH-4876	169 38000	641 144000	3600
3 1/4	82.68 3.255	125.48 4.940	9.53 0.375	NTH-5280	178 39900	698 157000	3400
3 1/2	89.03 3.505	132.26 5.207	9.53 0.375	NTH-5684	180 40500	725 163000	3200

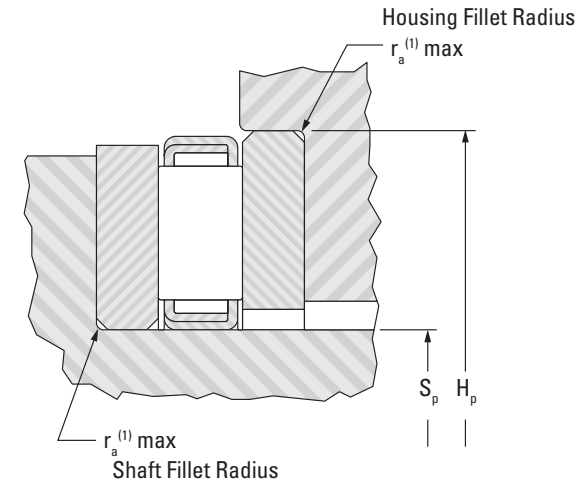
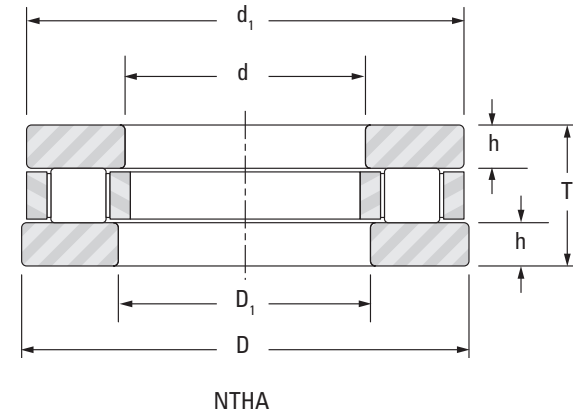
<sup>(1)</sup>Speed ratings listed are based on adequate oil lubrication. See page B-6-51 for lubrication information.



Assembly Wt.	S <sub>p</sub>	H <sub>c</sub>	S <sub>c</sub>	H <sub>p</sub>	E <sub>b</sub>	E <sub>a</sub>	Shaft Dia.
	Piloting Dimensions						
	Shaft Piloting			Housing Piloting			
	+0, +0.000			+0.13, +0.005	Raceway Contact		
	-0.13, -0.005	Min.	Max.	-0, -0.000	mm in	mm in	
kg lbs	mm in	mm in	mm in	mm in	mm in	mm in	in
0.10 0.23	38.10 1.500	76.96 3.030	36.63 1.442	75.57 2.975	44.70 1.760	68.83 2.710	1 1/2
0.21 0.47	50.80 2.000	92.84 3.655	49.33 1.942	91.44 3.600	57.40 2.260	84.33 3.320	2
0.22 0.49	53.98 2.125	96.01 3.780	52.5 2.067	94.62 3.725	60.71 2.390	87.38 3.440	2 1/8
0.24 0.52	57.15 2.250	99.19 3.905	55.68 2.192	97.79 3.850	63.75 2.510	90.68 3.570	2 1/4
0.24 0.54	60.33 2.375	102.36 4.030	58.85 2.317	100.97 3.975	67.06 2.640	93.73 3.690	2 3/8
0.26 0.57	63.50 2.500	105.54 4.155	62.03 2.442	104.14 4.100	70.10 2.760	97.03 3.820	2 1/2
0.28 0.62	66.68 2.625	111.13 4.375	65.2 2.567	109.73 4.320	73.41 2.890	102.36 4.030	2 5/8
0.29 0.64	69.85 2.750	114.30 4.500	68.45 2.695	112.90 4.445	76.45 3.010	105.66 4.160	2 3/4
0.31 0.69	76.20 3.000	120.65 4.750	74.8 2.945	119.25 4.695	82.80 3.260	112.01 4.410	3
0.34 0.75	82.55 3.250	127.00 5.000	81.15 3.195	125.60 4.945	89.15 3.510	118.36 4.660	3 1/4
0.37 0.81	88.90 3.500	133.78 5.267	87.5 3.445	132.38 5.212	95.76 3.770	125.73 4.950	3 1/2

CYLINDRICAL ROLLER THRUST BEARINGS

- The NTHA thrust cylindrical roller bearing consists of an NTH roller and cage assembly, one bore piloted washer and one O.D. piloted washer. The NTHA bearing is identified and sold as a unit and is manufactured to inch-nominal dimensions only.
- Load ratings given are identical to the corresponding NTH thrust cylindrical roller and cage assembly.
- It is suggested that the roller and cage assembly be bore piloted when applying NTHA bearings. When different arrangements of piloting are required, please contact your representative.
- Backup surfaces should be flat and square with the center line of the shaft.
- To order individual thrust washers, see washer designation below.



Shaft Dia.	d		d <sub>1</sub>	D		D <sub>1</sub>	T +0.000 -0.006	Bearing Designation	Bearing Wt.
	Shaft-Piloted Washer			Housing-Piloted Washer					
	Max.	Min.	Nom.	Max.	Min.	Nom.			
in	mm in	mm in	mm in	mm in	mm in	mm in	mm in		kg lbs
1 1/2	38.100 1.5000	38.082 1.4993	74.613 2 15/16	76.218 3.0007	76.200 3.0000	39.688 1 9/16	20.62 0.812	NTHA-2448	0.47 1.03
2	50.800 2.0000	50.775 1.9990	90.488 3 9/16	92.098 3.6259	92.075 3.6250	52.388 2 1/16	25.40 1.000	NTHA-3258	0.76 1.68
2 1/8	53.975 2.1250	53.950 2.1240	93.663 3 11/16	95.278 3.7511	95.250 3.7500	55.563 2 3/16	25.40 1.000	NTHA-3460	0.80 1.76
2 1/4	57.150 2.2500	57.122 2.2489	96.838 3 13/16	98.453 3.8761	98.425 3.8750	58.738 2 5/16	25.40 1.000	NTHA-3662	0.83 1.84
2 3/8	60.325 2.3750	60.297 2.3739	100.013 3 15/16	101.628 4.0011	101.600 4.0000	61.913 2 7/16	25.40 1.000	NTHA-3864	0.87 1.91
2 1/2	63.500 2.5000	63.472 2.4989	103.188 4 1/16	104.808 4.1263	104.775 4.1250	65.088 2 9/16	25.40 1.000	NTHA-4066	0.90 1.99
2 5/8	66.675 2.6250	66.645 2.6238	108.744 4 9/32	110.345 4.3443	110.312 4.3430	68.263 2 11/16	25.40 1.000	NTHA-4270	1.01 2.22
2 3/4	69.850 2.7500	69.820 2.7488	111.919 4 13/32	113.520 4.4693	113.487 4.4680	71.438 2 13/16	25.40 1.000	NTHA-4472	1.04 2.29
3	76.200 3.0000	76.170 2.9988	118.269 4 21/32	119.875 4.7195	119.837 4.7180	77.788 3 1/16	25.40 1.000	NTHA-4876	1.12 2.46
3 1/4	82.550 3.2500	82.517 3.2487	124.619 4 29/32	126.225 4.9695	126.187 4.9680	84.138 3 5/16	25.40 1.000	NTHA-5280	1.19 2.62
3 1/2	88.900 3.5000	88.867 3.4987	130.969 5 5/32	132.575 5.2195	132.537 5.2180	90.488 3 9/16	25.40 1.000	NTHA-5684	1.27 2.80

<sup>(1)</sup> r<sub>a</sub> max is equal to minimum washer chamfer r<sub>s</sub> min.

C	C <sub>0</sub>	Speed Rating Oil	S <sub>p</sub>	H <sub>p</sub>	r <sub>s</sub> min	h	Bore Piloted Washer	Washer Wt.	O.D. Piloted Washer	Washer Wt.	Shaft Dia.
			Piloting Dimensions								
			+0, +0.000	+0.13, +0.005		+0, +0.000					
Dynamic	Static	min <sup>-1</sup>	-0.13, -0.005	-0, -0.000			-0.076, -0.0030		kg lbs	kg lbs	in
kN lbf			mm in	mm in	mm in	mm in					
81.8 18400	280 62900	5700	38.082 1.4993	76.218 3.0007	0.81 0.032	7.137 0.2810	TRI-2448	0.18 0.39	TRID-2448	0.18 0.39	1 1/2
129 29000	408 91600	4700	50.775 1.9990	92.098 3.6259	1.57 0.062	7.938 0.3125	TRJ-3258	0.26 0.57	TRJD-3258	0.27 0.59	2
133 30000	433 97400	4500	53.950 2.1240	95.278 3.7511	1.57 0.062	7.938 0.3125	TRJ-3460	0.27 0.60	TRJD-3460	0.28 0.61	2 1/8
138 31100	458 103000	4400	57.122 2.2489	98.453 3.8761	1.57 0.062	7.938 0.3125	TRJ-3662	0.28 0.62	TRJD-3662	0.29 0.64	2 1/4
143 32100	485 109000	4200	60.297 2.3739	101.628 4.0011	1.57 0.062	7.938 0.3125	TRJ-3864	0.29 0.65	TRJD-3864	0.30 0.66	2 3/8
147 33000	512 115000	4100	63.472 2.4989	104.808 4.1263	1.57 0.062	7.938 0.3125	TRJ-4066	0.30 0.67	TRJD-4066	0.31 0.69	2 1/2
156 35100	556 125000	3900	66.645 2.6238	110.345 4.3443	1.57 0.062	7.938 0.3125	TRJ-4270	0.34 0.75	TRJD-4270	0.35 0.77	2 5/8
161 36100	587 132000	3800	69.820 2.7488	113.520 4.4693	1.57 0.062	7.938 0.3125	TRJ-4472	0.35 0.78	TRJD-4472	0.36 0.80	2 3/4
169 38000	641 144000	3600	76.170 2.9988	119.875 4.7195	1.57 0.062	7.938 0.3125	TRJ-4876	0.38 0.83	TRJD-4876	0.39 0.85	3
177 39900	698 157000	3400	82.517 3.2487	126.225 4.9695	1.57 0.062	7.938 0.3125	TRJ-5280	0.40 0.89	TRJD-5280	0.41 0.91	3 1/4
180 40500	725 163000	3200	88.867 3.4987	132.575 5.2195	1.57 0.062	7.938 0.3125	TRJ-5684	0.43 0.94	TRJD-5284	0.43 0.96	3 1/2

**NOTES**

**COMBINED NEEDLE ROLLER BEARINGS**

**Overview:** Combined bearings incorporate a radial needle roller bearing and a thrust ball or roller bearing into a convenient unitized package.

- **Catalogue range:** 5.000 mm – 70.000 mm (0.1966 in – 2.7559 in) bore.
- **Markets:** Industrial applications, machine tools, and automotive transmissions.
- **Features:** Available with ball, needle roller or cylindrical roller thrust component, machined and drawn outer rings are available, some sizes available with integral dust caps.
- **Benefits:** An effective alternative to separate radial and thrust bearings.



## Combined Needle Roller Bearings – Metric Nominal Dimensions

**Prefix**  
**RAX** radial needle roller and thrust needle (or cylindrical) roller bearing without inner ring or thrust washer  
**RAXF** closed-end drawn cup design radial needle roller and needle thrust roller bearing without inner ring or thrust washer  
**RAXZ** unitized machined outer ring thrust cylindrical roller and radial needle roller bearing  
**NAXR** machined outer ring thrust cylindrical roller and radial needle roller bearing without inner ring  
**NAXK** machined outer ring thrust ball and radial needle roller bearing without inner ring

**RAXF 7 15 TC**  
**NAXR 20 Z.TN**

**Suffix**  
**TN** molded polymer retainer  
**Z** thrust washer retaining dust cap  
**TB** radial play under rollers set to lower half of F6 tolerance  
**TC** radial play under rollers set to upper half of F6 tolerance

**Bore Diameter**  
 20 = 20.000 mm

**Series (RAX)**  
**700** drawn cup design radial needle roller and needle thrust roller bearing without inner ring or thrust washer  
**400** machined ring radial needle roller and thrust needle roller bearing without inner ring or thrust washer  
**500** machined ring radial needle roller and thrust cylindrical roller bearing

## Inner Rings for Combined Needle Roller Bearings – Metric Nominal Dimensions

**Prefix**  
**JR** inner ring for use with NAXR series bearings  
**IM** inner ring for use RAX series bearings

**JR 25 x 30 x 18**  
**IM 10 14 16 P**

**Bore Diameter**  
 25 = 25.000 mm

**Width**  
 18 = 18.000 mm

**Outer Diameter**  
 14 = 14.000 mm

**Suffix (IM Series)**  
**P** ISO 492 toleranced inner ring

## Thrust Washers for Combined Needle Roller Bearings - Metric Nominal Dimensions

**Prefix**  
**CP** thrust washer for metric needle roller bearings

**CP 15 28** thin washer designation  
**CP 2 15 28** thick washer designation

**Thickness**  
 2 = 2.000 mm

**Outer Diameter**  
 28 = 28.000 mm

**Bore Diameter**  
 15 = 15.000 mm

## Combined Needle Roller Bearings

	<i>Page</i>
Introduction .....	B-7-4
Ball Thrust Series – Metric Series .....	B-7-6
Cylindrical Roller Thrust Series – Metric Series.....	B-7-10
Needle Roller and Cylindrical Roller Thrust Series – Metric Series .....	B-7-14
Drawn Cup, Needle Roller Thrust Series Open and Closed Bearings – Metric Series .....	B-7-18



COMBINED BEARINGS

METRIC SERIES

Combined bearings consist of a radial bearing (needle roller bearing) and a thrust bearing (ball, roller or needle bearing). The thrust roller bearing is usually a cylindrical roller thrust bearing.

Combined bearings make an effective alternative in place of two separate bearings—in terms of cost, handling and packaging. Combined bearings can be used with or without matching inner rings and thrust washers—though these are listed opposite the bearing part numbers, where possible, on the following pages of tables for convenience.

REFERENCE STANDARDS ARE:

- **DIN 5429, Part 1** – needle roller – thrust cylindrical roller bearings, series NAXR, NAXR.Z.
- **DIN 5429, Part 1** – needle roller – thrust ball bearings, series NAXK, NAXK.Z.
- **ISO 1206** – needle roller bearings – light and medium series – dimensions and tolerances.

Needle roller-ball thrust bearing

Needle roller-needle roller thrust bearings

Needle roller-cylindrical roller thrust bearings

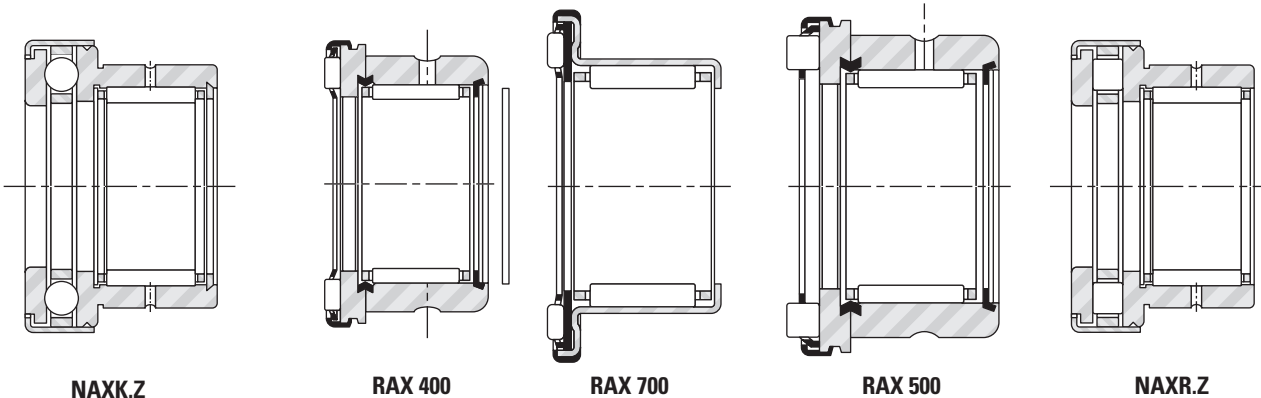


Fig. B7-1. Types of metric series combined bearings

Suffixes

<b>TN</b>	molded cage of reinforced engineered polymer
<b>Z</b>	retained with a dust cap
<b>Z.TN</b>	retained with a dust cap, molded cage of reinforced engineered polymer
<b>TB</b>	radial play under rollers set to lower half of F6 tolerance limits
<b>TC</b>	radial play under rollers set to upper half of F6 tolerance limits

CONSTRUCTION

Needle roller-cylindrical roller thrust bearings of series NAXR and RAXZ 500 are available with dust caps. They have the highest axial load-carrying capability of all combined bearings. The NAXR and NAXR.Z Series have the same dimensions as needle roller-ball thrust bearings (series NAXK and NAXK.Z).

Combined bearings of series RAX 700 use a thin, one-piece outer ring design, similar in construction to metric drawn cups. The RAX 700 Series is available with an open or closed (RAXF) design, as are standard drawn cups. These bearings use needle rollers for both their radial and thrust complements.

The RAX 400 Series uses needle rollers for both their radial and thrust complements, as with the RAX 700 Series, but are constructed from two separate machined rings, joined with a strong metal insert. The RAX 500 Series, fabricated like the 400 Series, uses heavier cylindrical rollers for their thrust complement.

Both series are available with matching thrust washers and inner rings. These series should be considered for applications requiring higher load capacity and running accuracy.

Each of the previous two bearing types may be best used without inner rings because the radial internal clearances are smaller if the needle roller and cage assemblies operate directly on a hardened and ground shaft. Tolerance class F6 is the normal specification for the needle roller complement bore diameters of the unmounted bearings.

RAX 400 and 500 Series (without inner rings) can be supplied with a smaller radial clearance, if desired. Refer to the suffix options TB and TC, as listed in the chart above.

Quality requirements for shafts, when used as a bearing raceway, are given in the engineering section of this catalog. When it becomes impractical to meet the shaft raceway design requirements, standard inner rings may be used with these bearings.

DIMENSIONAL ACCURACY

TOLERANCES

Metric series combined bearings (except Series RAX 700) are manufactured to the normal tolerances which apply to the metric series radial bearings and standard thrust bearings, as shown in the engineering section. The only exceptions are the diameter tolerances of the shaft-piloted washer and the bearing width tolerances. The shaft-piloted washer bore tolerance is E7 for the NAXK, NAXR, NAXK.Z and NAXR.Z Series bearings. The thickness tolerance of the combined bearings thrust component (C<sub>1</sub>) can be found in Table B7-2. The matching thrust washer thickness tolerance may be found in the metric unitized thrust bearing section of this catalog.

Because of the nature of the RAX 700 Series design, these bearings must be inspected with suitable plug ("go" and "no go") and ring gage. The plug and ring gage sizes are listed in the inspection columns of the RAX700 Series product table.

BEARING MOUNTING

MOUNTING DIMENSIONS

Simple, through-bored housings are adequate for combined bearings. The mounting tolerances for the mechanical-ring combined bearings are provided in Table B7-1.

The shaft-piloted washers of combined bearings must be supported, at least over half of their width. Other quality requirements for shafts and housings are given in the engineering section. Requirements for fillets, recesses and shoulder heights are the same as for needle roller bearings, as shown in the Mounting Dimensions paragraph on pages B-4-9 and B-4-10.

When mounting these bearings in their housings with a tight fit, relatively high press-in forces will be required which may brinell the raceways of the thrust bearing arrangements. Particular care should be exercised when installing needle roller-cylindrical roller thrust bearings with dust caps – and where the roller assembly of the thrust bearings cannot be removed. In order to avoid brinelling of the thrust bearing raceways, the bearings should be installed with uniform, continuous pressure against the installation tool, avoiding sudden impact forces. At times it may even be desirable to heat the housing before bearing mounting.

Table B7-1. Mounting tolerances

Rotation conditions	ISO tolerance zone for housing	d		With inner ring	Without inner ring
		>	≤		
		Nominal shaft diameter		ISO tolerance zone for shaft	
Load stationary relative to housing	K6 (M6) <sup>(1)</sup>	mm in	mm in	k6	h6
		10.000 0.3937	40.000 1.5748		
Load rotates relative to housing	M6 (N6) <sup>(1)</sup>	All diameters		g6	f6
		40.000 1.5748	70.000 2.7559		
RAX 700 RAXF 700	H6 (H7)	All diameters		k5	h5 (h6)

<sup>(1)</sup> Tighter fit for more secure arrangement.

Table B7-2. Thrust component thickness (C<sub>1</sub>) tolerances

Bearing series	Tolerance	
	Max.	Min.
NAXK, NAXK.Z	mm in	mm in
NAXR, NAXR.Z	+0.000 +0.000	-0.200 -0.0078
RAX 400, RAX 500	+0.050 +0.0020	-0.060 -0.0024
RAX 700, RAXF 700	+0.100 +0.0039	-0.100 -0.0039
RAXZ	+0.100 +0.0039	-0.110 -0.0043

LUBRICATION

When the applied axial loads are relatively high and the application allows the use of oil as the desired method of lubrication, bearing types NAXR and NAXK should be given consideration. Combined bearings with a dust cap may use oil lubrication, although their design makes them better suited for use with grease lubrication.

Combined bearings are typically shipped protected with a corrosion-preventive compound that is not a lubricant. The bearings may be used in oil- or grease-lubricated applications, without removal of the corrosion-preventive compound. However, it may be advisable to remove the corrosion-preventive compound before packing the bearings (with a suitable grease) to obtain optimum grease performance and to minimize the possibility of confusing grease bearings with bearings containing corrosion preventive.

LOAD RATINGS

Minimum axial load for combined bearings excluding RAX700:

$$P_{a\min} = C_{0a} / 2200 \quad (\text{kN})$$

Where:

$$C_{0a} = \text{static load rating} \quad (\text{kN})$$

DYNAMIC EQUIVALENT LOAD

Combined bearings can accommodate radial and axial loads.

Radial needle roller complement

$$P = F_r \quad (\text{kN})$$

Cylindrical or needle roller thrust complement

$$P_a = F_a \quad (\text{kN})$$

STATIC EQUIVALENT LOAD

For all combined bearings series:

Radial needle roller complement

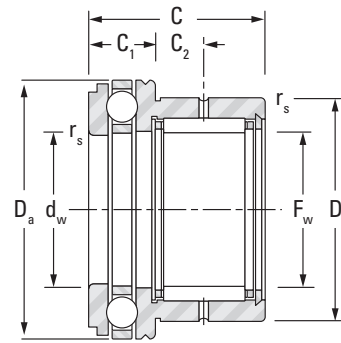
$$P_0 = F_r \quad (\text{kN})$$

Cylindrical or needle roller thrust complement

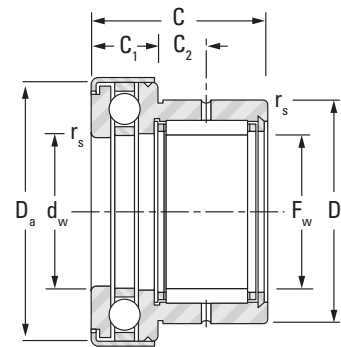
$$P_{0a} = F_a \quad (\text{kN})$$



**BALL THRUST SERIES**  
**METRIC SERIES**



**NAXK**



**NAXK.Z**

Shaft Diameter	F <sub>w</sub>	D	C	d <sub>w</sub>	D <sub>a</sub>	C <sub>1</sub>	C <sub>2</sub>	r <sub>s min</sub>
				E7				
mm in	mm in	mm in	mm in	mm in	mm in	mm in	mm in	mm in
10 0.394	10 0.394	19 0.748	23 0.906	10 0.394	24 0.945	9 0.354	6.5 0.256	0.3 0.012
	10 0.394	19 0.748	23 0.906	10 0.394	25 0.984	9 0.354	6.5 0.256	0.3 0.012
12 0.472	12 0.472	21 0.827	23 0.906	12 0.472	26 1.024	9 0.354	6.5 0.256	0.3 0.012
	12 0.472	21 0.827	23 0.906	12 0.472	27 1.063	9 0.354	6.5 0.256	0.3 0.012
15 0.591	15 0.591	24 0.945	23 0.906	15 0.591	28 1.102	9 0.354	6.5 0.256	0.3 0.012
	15 0.591	24 0.945	23 0.906	15 0.591	29 1.142	9 0.354	6.5 0.256	0.3 0.012
17 0.669	17 0.669	26 1.024	25 0.984	17 0.669	30 1.181	9 0.354	8 0.315	0.3 0.012
	17 0.669	26 1.024	25 0.984	17 0.669	31 1.220	9 0.354	8 0.315	0.3 0.012
20 0.787	20 0.787	30 1.181	30 1.181	20 0.787	35 1.378	10 0.394	10.5 0.413	0.3 0.012
	20 0.787	30 1.181	30 1.181	20 0.787	36 1.417	10 0.394	10.5 0.413	0.3 0.012
25 0.984	25 0.984	37 1.457	30 1.181	25 0.984	42 1.654	11 0.433	9.5 0.374	0.6 0.024
	25 0.984	37 1.457	30 1.181	25 0.984	43 1.693	11 0.433	9.5 0.374	0.6 0.024
30 1.181	30 1.181	42 1.654	30 1.181	30 1.181	47 1.850	11 0.433	9.5 0.374	0.6 0.024
	30 1.181	42 1.654	30 1.181	30 1.181	48 1.890	11 0.433	9.5 0.374	0.6 0.024
35 1.378	35 1.378	47 1.850	30 1.181	35 1.378	52 2.047	12 0.472	9 0.354	0.6 0.024
	35 1.378	47 1.850	30 1.181	35 1.378	53 2.087	12 0.472	9 0.354	0.6 0.024
40 1.575	40 1.575	52 2.047	32 1.260	40 1.575	60 2.362	13 0.512	10 0.394	0.6 0.024
	40 1.575	52 2.047	32 1.260	40 1.575	61 2.402	13 0.512	10 0.394	0.6 0.024
45 1.772	45 1.772	58 2.283	32 1.260	45 1.772	65 2.559	14 0.551	9 0.354	0.6 0.024
	45 1.772	58 2.283	32 1.260	45 1.772	66.5 2.618	14 0.551	9 0.354	0.6 0.024

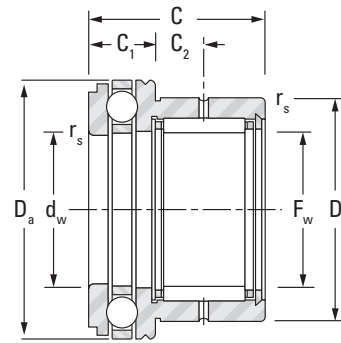
Bearing Designation	Speed Rating Oil	Load Ratings				Wt.	Matching Inner ring Designation	Shaft Diameter
		Radial		Thrust				
		Dynamic	Static	Dynamic	Static			
	min <sup>-1</sup>	C	C <sub>0</sub>	C	C <sub>0</sub>	kg		mm in
		kN lbf		kN lbf				
NAXK10	9500	7.9 1780	8.7 1960	10.4 2340	14 3150	0.04	JR7x10x16	10 0.394
NAXK10Z	9500	7.9 1780	8.7 1960	10.4 2340	14 3150	0.04	JR7x10x16	
NAXK12	9000	7.5 1690	8.5 1910	10.7 2410	15.4 3460	0.046	JR9x12x16	12 0.472
NAXK12Z	9000	7.5 1690	8.5 1910	10.7 2410	15.4 3460	0.047	JR9x12x16	
NAXK15	8500	9.7 2180	12.6 2830	10.9 2450	16.8 3780	0.047	JR12x15x16	15 0.591
NAXK15Z	8500	9.7 2180	12.6 2830	10.9 2450	16.8 3780	0.05	JR12x15x16	
NAXK17	8500	11.4 2560	16.1 3620	11.8 2650	19.6 4410	0.06	JR14x17x17	17 0.669
NAXK17Z	8500	11.4 2560	16.1 3620	11.8 2650	19.6 4410	0.064	JR14x17x17	
NAXK20	7000	14.8 3330	23.7 5330	15.5 3480	26.6 5980	0.089	JR17x20x20	20 0.787
NAXK20Z	7000	14.8 3330	23.7 5330	15.5 3480	26.6 5980	0.094	JR17x20x20	
NAXK25	6300	18.8 4230	29.8 6700	18.8 4230	35.5 7980	0.134	JR20x25x20	25 0.984
NAXK25Z	6300	18.8 4230	29.8 6700	18.8 4230	35.5 7980	0.141	JR20x25x20	
NAXK30	5600	20.2 4540	34.6 7780	19.5 4380	39.9 8970	0.146	JR25x30x20	30 1.181
NAXK30Z	5600	20.2 4540	34.6 7780	19.5 4380	39.9 8970	0.154	JR25x30x20	
NAXK35	5300	22.1 4970	40.8 9170	20.8 4680	46.6 10480	0.176	JR30x35x20	35 1.378
NAXK35Z	5300	22.1 4970	40.8 9170	20.8 4680	46.6 10480	0.184	JR30x35x20	
NAXK40	4500	23.8 5350	47 10570	28 6290	62.9 14140	0.224	JR35x40x20	40 1.575
NAXK40Z	4500	23.8 5350	47 10570	28 6290	62.9 14140	0.233	JR35x40x20	
NAXK45	4500	24.9 5600	51.8 11650	29 6520	69.2 15560	0.262	JR40x45x20	45 1.772
NAXK45Z	4500	24.9 5600	51.8 11650	29 6520	69.2 15560	0.275	JR40x45x20	

Continued on next page.

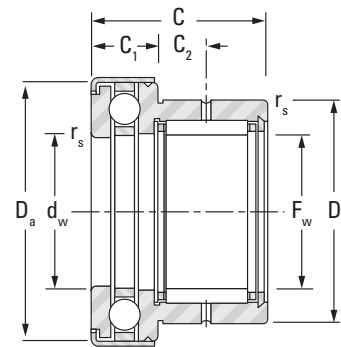




**BALL THRUST SERIES**  
**METRIC SERIES**



**NAXK**



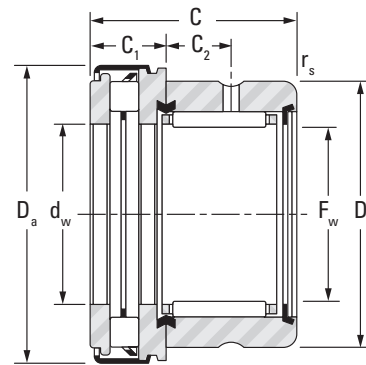
**NAXK.Z**

Shaft Diameter	F <sub>w</sub>	D	C	d <sub>w</sub>	D <sub>a</sub>	C <sub>1</sub>	C <sub>2</sub>	r <sub>s min</sub>
				E7				
mm in	mm in	mm in	mm in	mm in	mm in	mm in	mm in	mm in
<b>50</b> 1.969	<b>50</b> 1.969	<b>62</b> 2.441	<b>35</b> 1.378	<b>50</b> 1.969	<b>70</b> 2.756	<b>14</b> 0.551	<b>10</b> 0.394	<b>0.6</b> 0.024
	<b>50</b> 1.969	<b>62</b> 2.441	<b>35</b> 1.378	<b>50</b> 1.969	<b>71.5</b> 2.815	<b>14</b> 0.551	<b>10</b> 0.394	<b>0.6</b> 0.024
<b>60</b> 2.362	<b>60</b> 2.362	<b>72</b> 2.835	<b>40</b> 1.575	<b>60</b> 2.362	<b>85</b> 3.346	<b>17</b> 0.669	<b>12</b> 0.472	<b>1</b> 0.039
<b>70</b> 2.756	<b>70</b> 2.756	<b>85</b> 3.346	<b>40</b> 1.575	<b>70</b> 2.756	<b>95</b> 3.740	<b>18</b> 0.709	<b>11</b> 0.433	<b>1</b> 0.039

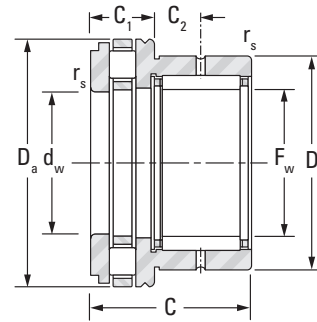
Bearing Designation	Speed Rating Oil	Load Ratings				Wt.	Matching Inner ring Designation	Shaft Diameter
		Radial		Thrust				
		Dynamic	Static	Dynamic	Static			
		C	C <sub>0</sub>	C	C <sub>0</sub>			
	min <sup>-1</sup>	kN lbf		kN lbf		kg	mm in	
NAXK50	4300	<b>30.2</b> 6790	<b>68.5</b> 15400	<b>29.9</b> 6720	<b>75.5</b> 16970	0.316	JR45x50x25	<b>50</b> 1.969
NAXK50Z	4300	<b>30.2</b> 6790	<b>68.5</b> 15400	<b>29.9</b> 6720	<b>75.5</b> 16970	0.332	JR45x50x25	
NAXK60	3600	<b>31.9</b> 7170	<b>78.1</b> 17560	<b>43</b> 9670	<b>113</b> 25400	0.48	JR50x60x25	<b>60</b> 2.362
NAXK70	3400	<b>43.6</b> 9800	<b>87.9</b> 19760	<b>41.6</b> 9350	<b>110</b> 24730	0.659	JR60x70x25	<b>70</b> 2.756



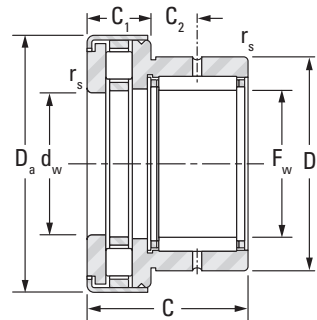
CYLINDRICAL ROLLER THRUST SERIES  
METRIC SERIES



RAXZ 500



NAXR



NAXR.Z

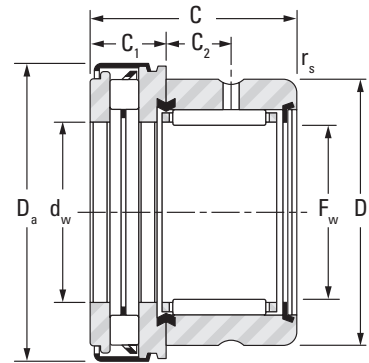
Shaft Diameter	F <sub>w</sub>	D	C	d <sub>w</sub>	D <sub>a</sub>	C <sub>1</sub>	C <sub>2</sub>	r <sub>s min</sub>
				E7				
mm in	mm in	mm in	mm in	mm in	mm in	mm in	mm in	mm in
10 0.394	10 0.394	19 0.748	21.5 0.846	10 0.394	22.4 0.882	7.5 0.295	6 0.236	0.35 0.014
12 0.472	12 0.472	21 0.827	22 0.866	12 0.472	26.4 1.039	8 0.315	6 0.236	0.35 0.014
15 0.591	15 0.591	24 0.945	23 0.906	15 0.591	28 1.102	9 0.354	6.5 0.256	0.3 0.012
	15 0.591	24 0.945	23 0.906	15 0.591	29 1.142	9 0.354	6.5 0.256	0.3 0.012
	15 0.591	24 0.945	22 0.866	15 0.591	28.4 1.118	8 0.315	6 0.236	0.35 0.014
17 0.669	17 0.669	26 1.024	25 0.984	17 0.669	30 1.181	9 0.354	8.0 0.315	0.3 0.012
	17 0.669	26 1.024	25 0.984	17 0.669	31 1.220	9 0.354	8.0 0.315	0.3 0.012
	17 0.669	26 1.024	24 0.945	17 0.669	30.4 1.197	8 0.315	8 0.315	0.65 0.026
20 0.787	20 0.787	30 1.181	30 1.181	20 0.787	35 1.378	10 0.394	10.5 0.413	0.3 0.012
	20 0.787	30 1.181	30 1.181	20 0.787	36 1.417	10 0.394	10.5 0.413	0.3 0.012
	20 0.787	30 1.181	29 1.142	20 0.787	35.4 1.394	11 0.433	9 0.354	0.85 0.033
25 0.984	25 0.984	37 1.457	30 1.181	25 0.984	42 1.654	11 0.433	9.5 0.374	0.6 0.024
	25 0.984	37 1.457	30 1.181	25 0.984	43 1.693	11 0.433	9.5 0.374	0.6 0.024
	25 0.984	37 1.457	29 1.142	25 0.984	43 1.693	11 0.433	9 0.354	0.85 0.033
30 1.181	30 1.181	42 1.654	30 1.181	30 1.181	47 1.850	11 0.433	9.5 0.374	0.6 0.024
	30 1.181	42 1.654	30 1.181	30 1.181	48 1.890	11 0.433	9.5 0.374	0.6 0.024
	30 1.181	42 1.654	29 1.142	30 0.181	48 1.890	11 0.433	9 0.354	0.85 0.033
35 1.378	35 1.378	47 1.850	30 1.181	35 1.378	52 2.047	12 0.472	9.0 0.354	0.6 0.024
	35 1.378	47 1.850	30 1.181	35 1.378	53 2.087	12 0.472	9.0 0.354	0.6 0.024
	35 1.378	47 1.850	30 1.181	35 1.378	54 2.126	12 0.472	9 0.354	0.85 0.033

Bearing Designation			Speed Rating	Load Ratings				Wt.	Matching Inner Ring Designation	Shaft Diameter
				Radial		Thrust				
RAXZ	NAXR	NAXR.Z	min <sup>-1</sup>	Dynamic	Static	Dynamic	Static	kg lbs		mm in
				C	C <sub>0</sub>	C	C <sub>0</sub>			
			kN lbf		kN lbf					
RAXZ 510			15500	5.9 1330	7.2 1610	8.2 1840	17.9 4020	0.026 0.057	IM 7 10 16 P	10 0.394
RAXZ 512			13000	6.8 1520	9.0 2030	12.7 2860	29.5 6630	0.033 0.073	IM 9 12 16 P	12 0.472
	NAXR15		12000	9.7 2180	12.6 2830	12.1 2720	26.3 5910	0.032 0.071	JR12x15x16	15 0.591
		NAXR15.Z	12000	9.7 2180	12.6 2830	12.1 2720	26.3 5910	0.035 0.077	JR12x15x16	
RAXZ 515			11500	9.7 2170	12.6 2830	14.0 3150	34.0 7640	0.036 0.079	IM 12 15 16 P	
	NAXR17		11000	11.4 2560	16.1 3620	12.6 2830	28.6 6430	0.050 0.110	JR14x17x17	17 0.669
		NAXR17.Z	11000	11.4 2560	16.1 3620	12.6 2830	28.6 6430	0.053 0.117	JR14x17x17	
RAXZ 517			10500	11.8 2650	16.3 3660	15.0 3370	39.0 8770	0.044 0.097	IM 14 17 17 P	
	NAXR20TN		9500	14.8 3330	23.7 5330	23.6 5310	56.8 12800	0.090 0.198	JR17x20x20	20 0.787
		NAXR20Z.TN	9500	14.8 3330	23.7 5330	23.6 5310	56.8 12800	0.095 0.209	JR17x20x20	
RAXZ 520			9000	14.8 3330	23.7 5330	22.0 4950	54.0 12100	0.070 0.154	IM 15 20 20 P	
	NAXR25TN		8000	18.8 4230	29.8 6700	31.2 7010	81.0 18200	0.146 0.322	JR20x25x20	25 0.984
		NAXR25Z.TN	8000	18.8 4230	29.8 6700	31.2 7010	81.0 18200	0.152 0.335	JR20x25x20	
RAXZ 525			7500	15.1 3390	26.2 5890	25.5 5730	70.0 15700	0.105 0.231	IM 20 25 20 P	
	NAXR30TN		6700	20.2 4540	34.6 7780	33.0 7420	91.1 20500	0.162 0.357	JR25x30x20	30 1.181
		NAXR30Z.TN	6700	20.2 4540	34.6 7780	33.0 7420	91.1 20500	0.169 0.373	JR25x30x20	
RAXZ 530			6500	20.2 4540	34.6 7780	26.5 5960	77.0 17300	0.118 0.260	IM 25 30 20 P	
	NAXR35		6000	22.1 4970	40.8 9170	30.9 6950	86.0 19300	0.186 0.410	JR30x35x20	35 1.378
		NAXR35.Z	6000	22.1 4970	40.8 9170	30.9 6950	86.0 19300	0.195 0.430	JR30x35x20	
RAXZ 535			5500	22.1 4970	40.8 9170	33.8 7600	94.0 21100	0.146 0.322	IM 30 35 20 P	

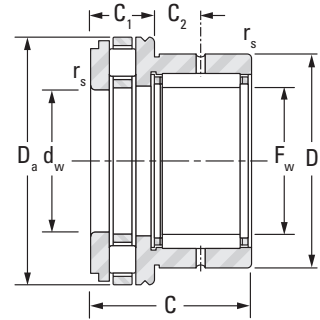
Continued on next page.



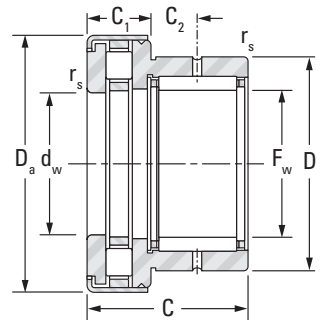
CYLINDRICAL ROLLER THRUST SERIES  
METRIC SERIES



RAXZ 500



NAXR



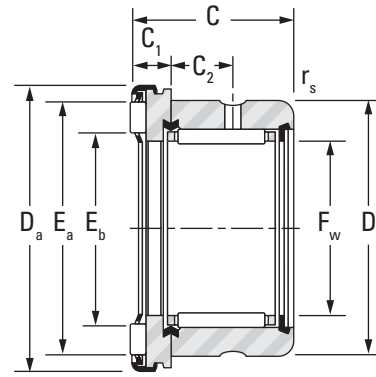
NAXR.Z

Shaft Diameter	F <sub>w</sub>	D	C	d <sub>w</sub>	D <sub>a</sub>	C <sub>1</sub>	C <sub>2</sub>	r <sub>s min</sub>
				E7				
mm in	mm in	mm in	mm in	mm in	mm in	mm in	mm in	mm in
40 1.575	40 1.575	52 2.047	32 1.260	40 1.575	60 2.362	13 0.512	10.0 0.394	0.6 0.024
	40 1.575	52 2.047	32 1.260	40 1.575	61 2.402	13 0.512	10.0 0.394	0.6 0.024
	40 1.575	52 2.047	31 1.220	40 1.575	61 2.402	13 0.512	9 0.354	0.85 0.033
45 1.772	45 1.772	58 2.283	32 1.260	45 1.772	65 2.559	14 0.551	9.0 0.354	0.6 0.024
	45 1.772	58 2.283	32 1.260	45 1.772	66 2.598	14 0.551	9.0 0.354	0.6 0.024
	45 1.772	58 2.283	31 1.220	45 1.772	66 2.598	13 0.512	9 0.354	0.85 0.033
50 1.969	50 1.969	62 2.441	35 1.378	50 1.969	70 2.756	14 0.551	10.0 0.394	0.6 0.024
	50 1.969	62 2.441	35 1.378	50 1.969	71 2.795	14 0.551	10.0 0.394	0.6 0.024
	50 1.969	62 2.441	34 1.339	50 1.969	71 2.795	13 0.512	11 0.433	1.3 0.051
60 2.362	60 2.362	72 2.835	36 1.417	60 2.362	86 3.386	15 0.591	11 0.433	1.3 0.051
70 2.756	70 2.756	85 3.346	36 1.417	70 2.756	96 3.780	15 0.591	11 0.433	1.3 0.051

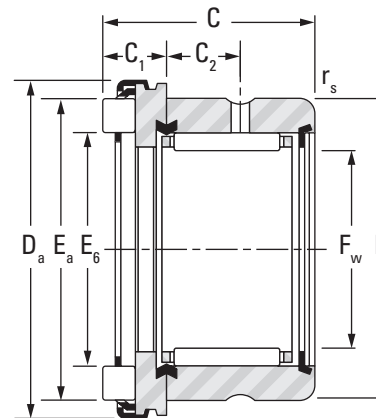
Bearing Designation			Speed Rating	Load Ratings				Wt.	Matching Inner Ring Designation	Shaft Diameter
				Radial		Thrust				
RAXZ	NAXR	NAXR.Z		Dynamic	Static	Dynamic	Static			
			C	C <sub>0</sub>	C	C <sub>0</sub>				
			min <sup>-1</sup>	kN lbf		kN lbf		kg lbs	mm in	
	NAXR40		5300	23.8 5350	47.0 10600	44.5 10000	126.0 28300	0.288 0.635	JR35x40x20	40 1.575
		NAXR40.Z	5300	23.8 5350	47.0 10600	44.5 10000	126.0 28300	0.299 0.659	JR35x40x20	
RAXZ 540			5000	23.8 5350	47.0 10600	46.0 10300	129.0 29000	0.174 0.384	IM 35 40 20 P	
	NAXR45TN		4800	24.9 5600	51.8 11600	47.0 10600	140.0 31500	0.360 0.794	JR40x45x20	45 1.772
		NAXR45Z.TN	4800	24.9 5600	51.8 11600	47.0 10600	140.0 31500	0.370 0.816	JR40x45x20	
RAXZ 545			4500	24.9 5600	51.8 11600	49.0 11000	143.0 32100	0.206 0.454	IM 40 45 20 P	
	NAXR50		4300	30.2 6790	68.5 15400	49.7 11200	155.0 34800	0.432 0.952	JR45x50x25	50 1.969
		NAXR50.Z	4300	30.2 6790	68.5 15400	49.7 11200	155.0 34800	0.452 0.996	JR45x50x25	
RAXZ 550			4000	30.2 6790	68.5 15400	51.0 11500	157.0 35300	0.232 0.511	IM 45 50 25 P	
RAXZ 560			3500	31.9 7170	78.1 17600	71.0 16000	255.0 57300	0.327 0.721	IM 55 60 25 P	60 2.362
RAXZ 570			3000	36.1 8120	84.7 19000	77.0 17300	295.0 66300	0.435 0.959	IM 60 70 25 P	70 2.756



NEEDLE ROLLER AND CYLINDRICAL ROLLER THRUST SERIES  
METRIC SERIES



RAX 400



RAX 500

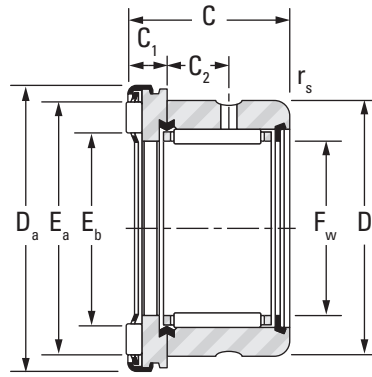
Shaft Diameter	F <sub>w</sub>	C	D	D <sub>a</sub>	E <sub>b</sub>	E <sub>a</sub>	C <sub>1</sub>	C <sub>2</sub>	r <sub>s min</sub>
10 0.3937	10 0.3937	19 0.748	19 0.7480	22 0.8661	12 0.47	18.6 0.73	5 0.197	6 0.236	0.35 0.014
	10 0.3937	19.5 0.768	19 0.7480	22 0.8661	12.2 0.48	18.5 0.73	5.5 0.217	6 0.236	0.35 0.014
12 0.4724	12 0.4724	19 0.748	21 0.8268	26 1.0236	15 0.59	22.6 0.89	5 0.197	6 0.236	0.35 0.014
	15 0.5906	19 0.748	24 0.9449	28 1.1024	17 0.67	24.6 0.97	5 0.197	6 0.236	0.35 0.014
	15 0.5906	20 0.787	24 0.9449	28 1.1024	16.8 0.66	24.9 0.98	6 0.236	6 0.236	0.35 0.014
17 0.6693	17 0.6693	21 0.827	26 1.0236	30 1.1811	19 0.75	26.6 1.05	5 0.197	8 0.315	0.65 0.026
	17 0.6693	22 0.866	26 1.0236	30 1.1811	18.8 0.74	26.9 1.06	6 0.236	8 0.315	0.65 0.026
20 0.7874	20 0.7874	24 0.945	30 1.1811	35 1.3780	22 0.87	31.6 1.24	6 0.236	9 0.354	0.85 0.033
	20 0.7874	26 1.024	30 1.1811	35 1.3780	22 0.87	31.6 1.24	8 0.315	9 0.354	0.85 0.033
25 0.9843	25 0.9843	24 0.945	37 1.4567	42 1.6535	27.7 1.09	37.4 1.47	6 0.236	9 0.354	0.85 0.033
	25 0.9843	26 1.024	37 1.4567	42 1.6535	27.7 1.09	37.4 1.47	8 0.315	9 0.354	0.85 0.033
30 1.1811	30 1.1811	24 0.945	42 1.6535	47 1.8504	32.7 1.29	42.4 1.67	6 0.236	9 0.354	0.85 0.033
	30 1.1811	26 1.024	42 1.6535	47 1.8504	32.7 1.29	42.3 1.67	8 0.315	9 0.354	0.85 0.033
35 1.3780	35 1.3780	24 0.945	47 1.8504	53 2.0866	37.2 1.46	49 1.93	6 0.236	9 0.354	0.85 0.033
	35 1.3780	27 1.063	47 1.8504	53.4 2.1024	37.8 1.49	47.8 1.88	9 0.354	9 0.354	0.85 0.033
40 1.5748	40 1.5748	24 0.945	52 2.0472	60 2.3622	43 1.69	54.9 2.16	6 0.236	9 0.354	0.85 0.033
45 1.7717	45 1.7717	24 0.945	58 2.2835	65 2.5591	48 1.89	59.9 2.36	6 0.236	9 0.354	0.85 0.033
	45 1.7717	28 1.102	58 2.2835	65.4 2.5748	47.8 1.88	59.8 2.35	10 0.394	9 0.354	0.85 0.033

Bearing Designation		Speed Rating	Load Ratings				Wt.	Matching Inner Ring	Thin Plate	Thick Plate	Shaft Diameter
			Radial		Thrust						
			Dynamic	Static	Dynamic	Static					
400 Series	500 Series	min <sup>-1</sup>	C	C <sub>0</sub>	C	C <sub>0</sub>	kg lbs			mm in	
RAX 410		15500	5.90 1330	7.16 1610	5.00 1120	10.9 2450	0.025 0.055		CP 10 22	CP 2 10 22	10 0.3937
	RAX 510	15500	5.90 1330	7.16 1610	8.20 1840	17.9 4020	0.026 0.057		CP 10 22	CP 2 10 22	
RAX 412		13000	6.78 1520	9.03 2030	7.10 1600	18.5 4160	0.032 0.071	IM 9 12 16 P	CP 12 26	CP 2 12 26	12 0.4724
RAX 415		11500	9.66 2170	12.6 2830	7.60 1710	20.8 4680	0.034 0.075	IM 12 15 16 P	CP 15 28	CP 2 15 28	15 0.5906
	RAX 515	11500	9.66 2170	12.6 2830	14.0 3150	34.0 7640	0.036 0.079	IM 12 15 16 P	CP 15 28	CP 2 15 28	
RAX 417		10500	11.8 2650	16.3 3660	8.10 1820	23.0 5170	0.041 0.090	IM 14 17 17 P	CP 17 30	CP 2 17 30	17 0.6693
	RAX 517	10500	11.8 2650	16.3 3660	15.0 3370	39.0 8770	0.044 0.097	IM 14 17 17 P	CP 17 30	CP 2 17 30	
RAX 420		9000	14.8 3330	23.7 5330	11.8 2650	39.0 8770	0.066 0.146	IM 15 20 20 P	CP 20 35	CP 3 20 35	20 0.7874
	RAX 520	9000	14.8 3330	23.7 5330	22.0 4950	54.0 12100	0.070 0.154	IM 15 20 20 P	CP 20 35	CP 3 20 35	
RAX 425		7500	15.1 3390	26.2 5890	13.3 2990	49.0 11000	0.099 0.218	IM 20 25 20 P	CP 25 42	CP 3 25 42	25 0.9843
	RAX 525	7500	15.1 3390	26.2 5890	25.5 5730	70.0 15700	0.105 0.231	IM 20 25 20 P	CP 25 42	CP 3 25 42	
RAX 430		6500	20.2 4540	34.6 7780	14.5 3260	57.0 12800	0.111 0.245	IM 25 30 20 P	CP 30 47	CP 3 30 47	30 1.1811
	RAX 530	6500	20.2 4540	34.6 7780	26.5 5960	77.0 17300	0.118 0.260	IM 25 30 20 P	CP 30 47	CP 3 30 47	
RAX 435		5500	22.1 4970	40.8 9170	18.9 4250	84.0 18900	0.130 0.287	IM 30 35 20 P	CP 35 52	CP 3 35 52	35 1.3780
	RAX 535	5500	22.1 4970	40.8 9170	33.8 7600	94.0 21100	0.146 0.322	IM 30 35 20 P	CP 35 52	CP 3 35 52	
RAX 440		5000	23.8 5350	47.0 10600	20.4 4590	96.0 21600	0.150 0.331	IM 35 40 20 P	CP 40 60	CP 3 40 60	40 1.5748
RAX 445		4500	24.9 5600	51.8 11600	21.8 4900	109.0 24500	0.179 0.395	IM 40 45 20 P	CP 45 65	CP 3 45 65	45 1.7717
	RAX 545	4500	24.9 5600	51.8 11600	49.0 11000	143.0 32100	0.206 0.454	IM 40 45 20 P	CP 45 65	CP 3 45 65	

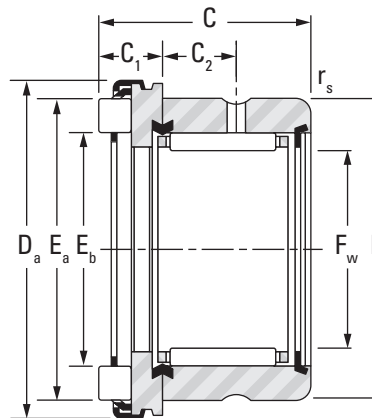
Continued on next page.



NEEDLE ROLLER AND CYLINDRICAL ROLLER THRUST SERIES  
METRIC SERIES



RAX 400



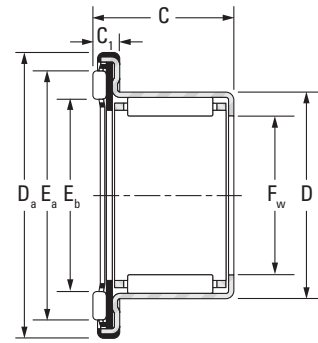
RAX 500

Shaft Diameter	F <sub>w</sub>	C	D	D <sub>a</sub>	E <sub>b</sub>	E <sub>a</sub>	C <sub>1</sub>	C <sub>2</sub>	r <sub>s min</sub>
<b>50</b> 1.9685	<b>50</b> 1.9685	<b>27</b> 1.063	<b>62</b> 2.4409	<b>70</b> 2.7559	<b>53.3</b> 2.10	<b>65.7</b> 2.59	<b>6</b> 0.236	<b>11</b> 0.433	<b>1.3</b> 0.051
	<b>50</b> 1.9685	<b>31</b> 1.220	<b>62</b> 2.4409	<b>70.4</b> 2.7717	<b>52.8</b> 2.08	<b>64.8</b> 2.55	<b>10</b> 0.394	<b>11</b> 0.433	<b>1.3</b> 0.051
<b>60</b> 2.3622	<b>60</b> 2.3622	<b>28</b> 1.102	<b>72</b> 2.8346	<b>85</b> 3.3465	<b>63.5</b> 2.50	<b>79.2</b> 3.12	<b>7</b> 0.276	<b>11</b> 0.433	<b>1.3</b> 0.051
	<b>60</b> 2.3622	<b>32</b> 1.260	<b>72</b> 2.8346	<b>85.4</b> 3.3622	<b>63.5</b> 2.50	<b>79.5</b> 3.13	<b>11</b> 0.433	<b>11</b> 0.433	<b>1.3</b> 0.051
<b>70</b> 2.7559	<b>70</b> 2.7559	<b>28</b> 1.102	<b>85</b> 3.3465	<b>95</b> 3.7402	<b>73.5</b> 2.89	<b>89.2</b> 3.51	<b>7</b> 0.276	<b>11</b> 0.433	<b>1.3</b> 0.051
	<b>70</b> 2.7559	<b>32</b> 1.260	<b>85</b> 3.3465	<b>95.4</b> 3.7559	<b>73.5</b> 2.89	<b>89.5</b> 3.52	<b>11</b> 0.433	<b>11</b> 0.433	<b>1.3</b> 0.051

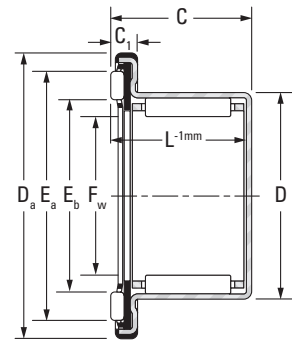
Bearing Designation		Speed Rating	Load Ratings				Wt.	Matching Inner Ring	Thin Plate	Thick Plate	Shaft Diameter
			Radial		Thrust						
400 Series	500 Series	min <sup>-1</sup>	Dynamic	Static	Dynamic	Static	kg lbs				mm in
			C	C <sub>0</sub>	C	C <sub>0</sub>					
RAX 450		4000	<b>30.2</b> 6790	<b>68.5</b> 15400	<b>22.5</b> 5060	<b>118.0</b> 26500	<b>0.205</b> 0.452	IM 45 50 25 P	CP 50 70	CP 3 50 70	<b>50</b> 1.9685
	RAX 550	4000	<b>30.2</b> 6790	<b>68.5</b> 15400	<b>51.0</b> 11500	<b>157.0</b> 35300	<b>0.232</b> 0.511	IM 45 50 25 P	CP 50 70	CP 3 50 70	
RAX 460		3500	<b>31.9</b> 7170	<b>78.1</b> 17600	<b>31.5</b> 7080	<b>193.0</b> 43400	<b>0.282</b> 0.622	IM 55 60 25 P	CP 60 85	CP 4 60 85	<b>60</b> 2.3622
	RAX 560	3500	<b>31.9</b> 7170	<b>78.1</b> 17600	<b>71.0</b> 16000	<b>255.0</b> 57300	<b>0.327</b> 0.721	IM 55 60 25 P	CP 60 85	CP 4 60 85	
RAX 470		3000	<b>36.1</b> 8120	<b>84.7</b> 19000	<b>34.5</b> 7760	<b>223.0</b> 50100	<b>0.386</b> 0.851	IM 60 70 25 P	CP 1,5 70 95	CP 4 70 95	<b>70</b> 2.7559
	RAX 570	3000	<b>36.1</b> 8120	<b>84.7</b> 19000	<b>77.0</b> 17300	<b>295.0</b> 66300	<b>0.435</b> 0.959	IM 60 70 25 P	CP 1,5 70 95	CP 4 70 95	



**DRAWN CUP, NEEDLE ROLLER THRUST SERIES OPEN AND CLOSED BEARINGS**  
METRIC SERIES



RAX 700



RAXF 700

Shaft Diameter	F <sub>w</sub>	D	C	D <sub>a</sub>	E <sub>b</sub>	E <sub>a</sub>	C <sub>1</sub>	Bearing Designation	
								Open-Ends	Closed-End
mm in	mm in	mm in	mm in	mm in	mm in	mm in	mm in		
5 0.1969	5 0.1969	9 0.3543	11 0.433	15.5 0.6102	7.2 0.28	11.2 0.44	3.3 0.130	RAX 705	
12 0.4724	12 0.4724	18 0.7087	14.2 0.559	27.5 1.0827	15 0.59	22.6 0.89	4.2 0.165	RAX 712	RAXF 712
14 0.5512	14 0.5512	20 0.7874	14.2 0.559	29.5 1.1614	17 0.67	24.6 0.97	4.2 0.165	RAX 714	RAXF 714
15 0.5906	15 0.5906	21 0.8268	14.2 0.559	31.5 1.2402	19 0.75	26.6 1.05	4.2 0.165	RAX 715	RAXF 715
18 0.7087	18 0.7087	24 0.9449	18.2 0.717	33.5 1.3189	21 0.83	28.6 1.13	4.2 0.165	RAX 718	RAXF 718
20 0.7874	20 0.7874	26 1.0236	18.2 0.717	36.5 1.4370	22 0.87	31.6 1.24	4.2 0.165	RAX 720	RAXF 720
25 0.9843	25 0.9843	33 1.2992	22.2 0.874	45.5 1.7913	30 1.18	39.6 1.56	4.2 0.165	RAX 725	RAXF 725
30 1.1811	30 1.1811	38 1.4961	22.2 0.874	50.5 1.9882	35 1.38	44.7 1.76	4.2 0.165	RAX 730	RAXF 730
35 1.3780	35 1.3780	43 1.6929	22.2 0.874	56.5 2.2244	39 1.54	50.9 2.00	4.2 0.165	RAX 735	
40 1.5748	40 1.5748	48 1.8898	22.2 0.874	61.5 2.4213	43 1.69	54.9 2.16	4.2 0.165	RAX 7309	RAXF 7309
45 1.7717	45 1.7717	52 2.0472	22.2 0.874	66.5 2.6181	48 1.89	59.9 2.36	4.2 0.165	RAX 745	

L <sup>-1</sup>	Speed Rating	Load Ratings				Wt.	Inspection			Matching Inner Ring	Thin Plate	Thick Plate	Shaft Diameter
		Radial		Thrust			Ring Gage	Go Plug	No Go Plug				
		Dynamic	Static	Dynamic	Static								
mm in	min <sup>-1</sup>	kN lbf		kN lbf		kg lbs	mm in	mm in	mm in			mm in	
-	25000	2.15 480	1.95 440	3.15 710	6.35 1430	0.005 0.010	9.000 0.3543	5.009 0.1972	5.036 0.1983				
13.2 0.520	13000	6.30 1420	7.20 1620	6.90 1550	17.7 3980	0.017 0.036	18.000 0.7087	12.009 0.4728	12.035 0.4738	IM 8 12 12,4	CP 12 26	CP 2 12 26 12 0.4724	
13.2 0.520	11500	6.90 1550	8.50 1910	7.40 1660	20.0 4500	0.018 0.040	20.000 0.7874	14.009 0.5515	14.035 0.5526	IM 10 14 12,4	CP 14 26	CP 2 14 26 14 0.5512	
13.2 0.520	10500	7.40 1660	9.30 2090	7.80 1750	22.0 4950	0.020 0.044	21.000 0.8268	15.009 0.5909	15.035 0.5919	IM 12 15 12,4	CP 15 28	CP 2 15 28 15 0.5906	
17.2 0.677	10000	11.5 2590	17.7 3980	8.00 1800	23.0 5170	0.027 0.060	24.000 0.9449	18.009 0.7090	18.035 0.7100	IM 13 18 16,4	CP 18 30	CP 2 18 30 18 0.7087	
17.2 0.677	9000	12.2 2740	19.5 4380	11.8 2650	39.0 8770	0.031 0.068	26.000 1.0236	20.009 0.7878	20.035 0.7888	IM 15 20 16,4	CP 20 35	CP 3 20 35 20 0.7874	
21.2 0.835	7200	20.5 4610	32.0 7190	13.7 3080	52.0 11700	0.055 0.121	33.000 1.2992	20.015 0.7880	25.041 0.9859	IM 20 25 20,4	CP 25 42	CP 3 25 42 25 0.9843	
21.2 0.835	6300	22.3 5010	37.5 8430	14.9 3350	60.0 13500	0.063 0.139	38.000 1.4961	30.015 1.1817	30.041 1.1827	IM 25 30 20,4	CP 30 47	CP 3 30 47 30 1.1811	
21.2 0.835	5500	24.5 5510	45.0 10120	19.4 4360	88.0 19800	0.075 0.165	43.000 1.6929	35.015 1.3785	35.041 1.3796	IM 30 35 20,4	CP 35 52	CP 3 35 52 35 1.3780	
21.2 0.835	5000	26.2 5890	51.0 11470	20.4 4590	96.0 21600	0.086 0.190	48.000 1.8898	40.015 1.5754	40.041 1.5764	IM 35 40 20,4	CP 40 60	CP 3 40 60 40 1.5748	
21.2 0.835	4500	24.8 5580	55.0 12360	21.8 4900	109 24500	0.088 0.194	52.000 2.0472	45.015 1.7722	45.041 1.7733	IM 40 45 20,4	CP 45 65	CP 3 45 65 45 1.7717	



### NEEDLE ROLLERS, ACCESSORIES NEEDLE/CYLINDRICAL ROLLERS

**Overview:** Loose needle and cylindrical rollers are mainly used as bearing rolling elements to reduce friction and torque in rotating and pivoting applications. However, these precision rollers have many other uses, such as shafts or locating pins.

- **Catalogue range:** Diameters from 1 mm (0.0394 in) to 15 mm (0.5906 in).  
Lengths from 2.5 mm (0.0984 in) to 69 mm (2.7165 in).
- **Markets:** Vehicle and industrial transmissions, universal joints, and two-cycle engines.
- **Features:** Cylindrical and needle sizes are available. Needle rollers are available with flat and rounded-ends; metric series needle rollers available in Grade 2, 3 or 5.
- **Benefits:** Provide the maximum load-carrying capacity, within the smallest envelope, at a low cost.

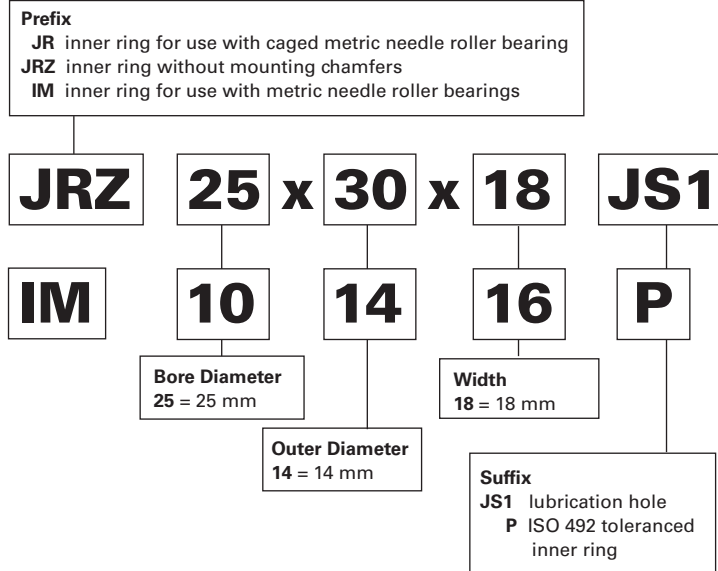
### METRIC INNER RINGS

**Overview:** Inner rings are made from bearing-quality steel, and their O.D. and bore are precision-ground. They function as the inner raceway for a needle roller bearing by providing a surface that meets all shaft raceway design requirements (hardness, surface finish, roundness, etc.).

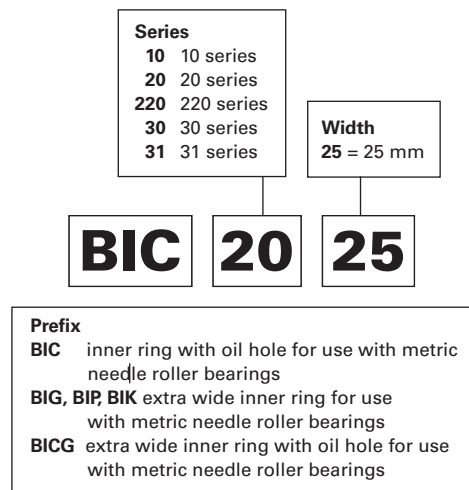
- **Catalogue range:** 5 mm (0.1969 in) bore to 180 mm (7.0866 in) outer diameter.
- **Markets:** Automotive, truck, power transmissions, and industrial applications.
- **Features:** Available with and without chamfers, some are available with a profiled outer diameter.
- **Benefits:** When it is not practical to manufacture the shaft to raceway quality, an inner ring allows a customer to obtain acceptable bearing performance.



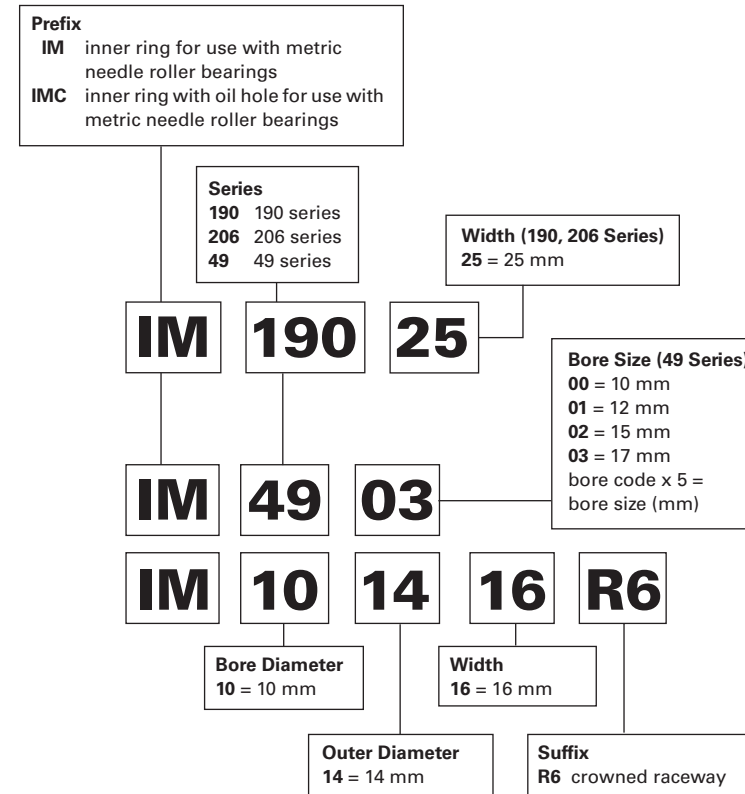
## Standard Inner Rings for Needle Roller Bearings – Metric Nominal Dimensions



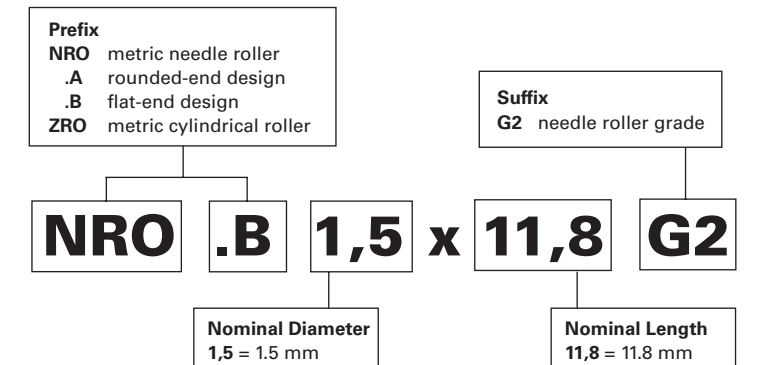
## Extra Wide Inner Rings for Needle Roller Bearings – Metric Nominal Dimensions



## Inner Rings for Full Complement Needle Roller Bearings – Metric Nominal Dimensions



## Loose Rollers – Metric Nominal Dimensions







# ***Needle Rollers, Accessories***



	<i>Page</i>
Introduction – Needle Rollers – Metric Series.....	B-8-6
Introduction – Needle Rollers – Inch Series .....	B-8-14
Introduction – Cylindrical Rollers – Metric Series.....	B-8-19
Inner Rings – Metric Series .....	B-8-21
Inner Rings for Full Complement Drawn Cup Needle Roller Bearings – Metric Series.....	B-8-32
Inner Rings for Machine – Tool Quality Precision – Combined Bearings – Metric Series.....	B-8-35
Inner Rings with Oil Holes/Extra Wide, RNA Bearings.....	B-8-36
End Washers – Metric Series.....	B-8-39





NEEDLE ROLLERS – METRIC SERIES

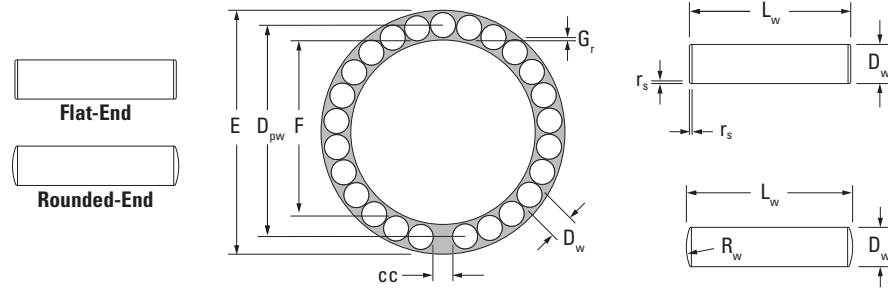


Fig. B8-1. Metric Series needle rollers

Needle rollers are made from rolling bearing-quality steel, hardened to 60-64 HRC or equivalent. Nominal metric needle rollers in various grades are standardized at national and international levels. The grades determine the dimensional and form tolerances of the needle rollers. Metric series needle rollers may differ by their end form: type A has rounded-end and type B has flat-ends. JTEKT prefers to supply needle roller in the most economical flat-end, or type B design, in G2 grade. Metric series needle rollers of type A also may be made available on request and in other G3 or G5 grades.

METRIC SERIES NEEDLE ROLLER DIMENSIONS

Nominally metric needle rollers, conforming to the International Standard ISO 3096, are shown in Table B8-2 on page B-8-8. The symbols used in Table B8-2 on page B-8-8, as well as in subsequent tables and figures, are summarized in Table B8-5 on page B-8-10. Needle rollers with flat-ends, which are the preferred design, are shown in Table B8-2 on page B-8-8. Chamfer dimension limits are also shown, the use of which results in the maximum possible effective contact length between roller and raceway. Yet, the relief at the needle roller ends help to reduce stress concentration – resulting in more uniform stress distribution, optimum load ratings, and longer life.

Every needle roller gage is separately packed, and packages are marked accordingly.

REFERENCE STANDARDS ARE:

- ISO 3096 – rolling bearings – needle rollers – dimensions and tolerances.
- DIN 5402 – rolling bearing components – needle rollers.

EXAMPLE OF METRIC SERIES NEEDLE ROLLER DESIGNATION AND PACKAGE MARKING:

NRO.B1,5x13,8G2  
M2M4

- NRO – Needle roller
- .B – Flat-end needle rollers
- 1,5 – Nominal diameter  $D_w = 1.500$  mm
- 13,8 – Nominal length  $L_w = 13.800$  mm
- G2 – Needle roller grade
- M2M4 – Deviation of needle roller gage -2.000/-4.000  $\mu\text{m}$

The actual finished diameter is between 1.498 and 1.496 mm.

In the marking of the needle roller gage, P identifies zero (0) or plus (+), and M identifies minus (-). If a shipment of needle rollers of the same size comprises several boxes, each box contains needle rollers of the same grade. The gage may vary from box to box. Each individual box, however, contains needle rollers of the particular gage identified on the box.

METRIC SERIES NEEDLE ROLLER TOLERANCES

Table B8-1. Variation of Gage Lot Diameter, Preferred Gages and Circularity Deviation (values in  $\mu\text{m}$ )

Grade	Variation of Gage Lot Diameter $V_{Dwl}$ Max.	Gages High/Low Deviation of Mean Diameter $D_{wmp}$										Circularity Deviation Max.
		Max.	0	-1	-2	-3	-4	-5	-6	-7	-8	
2	2	Min. -2	0	-1	-2	-3	-4	-5	-6	-7	-8	1
3	3	Max. 0 Min. -3	0	-1.5	-3	-4.5	-6	-7.5	-9	-10	1.5	
5	5	Max. 0 Min. -5	0	-3	-6	-8	-10	2.5				

Note 1 - Tolerance values apply only at the middle of the needle roller length.

Note 2 - Needle rollers of any nominal dimensions and any of the quoted grades will be supplied sub-divided into the gages listed in Table B8-1 at our option, if nothing to the contrary is agreed upon at the time of ordering.



Table B8-2. Dimensions of metric series needle rollers

Table with 13 columns: Dw, Lw, Needle Roller Designation, Wt. 1000 pcs Approx., r\_s min, Chamfer Dimension Limits (Rad., Axial). Rows list various needle roller models like NRO.B1.5x5,8G2, NRO.B3.5x11,8G2, etc.

END FORM TOLERANCES

Table B8-3 specifies the applicable end configuration for rounded end and flat end needle rollers of all grades.

Table B8-3. End configuration limits for metric needle rollers

Table with 6 columns: Rounded End Needle Rollers End Radius, Nominal Diameter of Needle Roller, Flat End Needle Rollers Chamfer Dimension Limits (Radial, Axial). Rows show R\_w(1) Min/Max, D\_w >/<, r\_s min(1), r\_s max.

(1) The chamfer of a needle roller shall clear a fillet radius equal to r\_s min, which should also be considered for designs using rounded end needle rollers.

NEEDLE ROLLER LENGTH TOLERANCE

Tolerances on the length L\_w for needle rollers of all grades: h13, see Table B8-4.

Table B8-4. Tolerances for needle roller length, nominal metric needle rollers

Table with 4 columns: Nominal Length, L\_w mm (>, <=), Tolerance Limits mm (ISO h13) (Max., Min.). Rows show length values like 3, 6, 10, 18, 30 mm.

DESIGN CALCULATIONS FOR NEEDLE ROLLER BEARING COMPLEMENTS

In the majority of full complement needle roller applications, needle roller complements of less than 35 needle rollers per row and a ratio of length to diameter between 4:1 and 8:1, is advantageous.

In general, needle roller complements for rotating motion should employ a smaller number of large diameter needle rollers, while needle roller complements subjected to oscillating motion (especially under high loads) should employ a large number of smaller diameter needle rollers.

Oscillating applications with small angular travel encourage the development of fretting corrosion. The best performance under these conditions has been achieved by using the largest practical number of small diameter needle rollers.

CALCULATION OF RACEWAY DIAMETERS

The calculation of inner and outer raceway diameters may be carried out using either the formula given in Table B8-5 on page B-8-10 or the raceway calculation form in Table B8-6 on page B-8-10.

Table B8-8 on page B-8-11 lists the suggested values for minimum radial internal clearance (G\_r min) and the minimum circumferential clearance divided by pi (cc min/pi), to be used for calculating needle roller complements for normal rotating applications.

Applications with poor lubrication, unusual motion, large misalignment, raceway distortions, load reversals, high speeds, etc., cannot be characterized as normal rotating applications. These miscellaneous applications require adjustment of the minimum clearances, listed in Table B8-8 on page B-8-11.



Table B8-5. Design factors for needle rollers

Z	Number of needle rollers per bearing path
K	Chordal factor, $K = 1/\sin(180^\circ/Z)$
cc	Total circumferential clearance. See Tables B8-8 and B8-9 on page B-8-11 for $cc_{min}/\pi$ values.
$G_r$	Radial internal clearance. See Tables B8-8 and B8-9 on page B-8-11 for $G_{r min}$ values
$D_{pw}$	Pitch diameter: $D_{pw} = KD_w \max + (cc_{min}/\pi) = E_{min} - D_w \max$ $= F_{max} + G_{r min} + D_w \max$
E	Outer raceway bore diameter: $E_{min} = D_{pw} + D_w \max = (K + 1)D_w \max + (cc_{min}/\pi)$ $= F_{max} + G_{r min} + 2D_w \max$
F	Inner raceway diameter: $F_{max} = D_{pw} - D_w \max - G_{r min}$ $= (K-1)D_w \max + (cc_{min}/\pi) - G_{r min}$ $= E_{min} - 2D_w \max - G_{r min}$
$D_w$	Nominal needle roller diameter
$D_{we}$	Needle roller diameter applicable in the calculation of load ratings: $D_{we} = D_{pw} - F_{max} - G_{r min} = \frac{D_{pw} - cc_{min}/\pi}{K}$ $= \frac{F_{max} + G_{r min} - (cc_{min}/\pi)}{(K-1)}$ $= E_{min} - D_{pw} = \frac{E_{min} - cc_{min}/\pi}{(K+1)}$
$L_w$	Overall needle roller length
$R_w$	End radius, rounded-end needle roller
$r_s$	Corner rounding, flat-end needle roller
$L_{we}$	Needle roller length applicable in the calculation of load ratings, for rounded-end needle rollers: $L_{we} = L_w \max - (L_w \max - \sqrt{L_w \max^2 - D_{we}^2})$  For flat-end needle rollers: $L_{we} = L_w \max - (2r_s \min)$

Note: If length of contact of the needle roller with the raceway is reduced because of undercuts, chamfers, etc. —  $L_{we}$  must be reduced correspondingly

RACEWAY DIAMETER TOLERANCES

Tables B8-10 and B8-11 on page B-8-11 lists the recommended tolerances that should be applied to the dimensions for the maximum inner raceway and minimum outer raceway diameter after they have been calculated using the information given in Table B8-5 or Table B8-6.

Table B8-6. Raceway calculation form

Step	Source	Design factor	mm (in)
1	Given	$D_w$ , needle roller diameter	<b>3.000</b> max. (0.1181 max.)
2	Table B8-7	K, for 30 needle rollers	<b>9.56677</b> (9.56677)
3	(1)×(2)	$KD_w$	<b>28.700</b> (1.1299)
4	Table B8-8 on page B-8-11	$cc_{min}/\pi = 0.127$	<b>0.127</b> min. (0.005 min.)
5	(3) + (4)	$D_{pw}$ pitch diameter	<b>28.827</b> (1.1349)
6	Given	$D_w$ , needle roller diameter	<b>3.000</b> max. (0.1181 max.)
7	(5) - (6)		<b>25.827</b> (1.0168)
8	Table B8-8 on page B-8-11	$G_r$ , radial clearance	<b>0.013</b> min. (0.0005 min.)
9	(7) - (8)	F, inner raceway diameter	<b>25.814</b> max. (1.0163 max.) <b>25.805</b> min. <sup>(1)</sup> (1.0159 min.)
10	(5) + (6)	E, outer raceway diameter	<b>31.827</b> min. (1.2530 min.) <b>31.843</b> max. <sup>(1)</sup> (1.2536 max.)

<sup>(1)</sup> Tolerance from Tables B8-10 and B8-11 on page B-8-11.

Table B8-7. K values

K values		K values		K values		K values		K values		K values	
Z	K	Z	K	Z	K	Z	K	Z	K	Z	K
6	2.00000	16	5.12583	26	8.29623	36	11.47371	46	14.65364	56	17.86471
7	2.30476	17	5.44219	27	8.61379	37	11.79163	47	14.97171	57	18.15285
8	2.61313	18	5.75877	28	8.93140	38	12.10957	48	15.28979	58	18.47100
9	2.92380	19	6.07553	29	9.24907	39	12.42752	49	15.60788	59	18.78916
10	3.23607	20	6.39245	30	9.56677	40	12.74549	50	15.92597	60	19.10732
11	3.54947	21	6.70951	31	9.88452	41	13.06348	51	16.24408		
12	3.86370	22	7.02667	32	10.20230	42	13.38149	52	16.56219		
13	4.17858	23	7.34394	33	10.52011	43	13.69951	53	16.88031		
14	4.49396	24	7.66130	34	10.83795	44	14.01754	54	17.19843		
15	4.80973	25	7.97873	35	11.15582	45	14.33559	55	17.51657		

CLEARANCES IN NEEDLE ROLLER COMPLEMENTS

Needle rollers, supplied in bulk, are generally used for full complement assemblies. Successful operation of a full complement of needle rollers not only requires careful selection of radial internal clearance, but more importantly, depends on proper circumferential clearance – or the total clearance between needle rollers.

Needle roller guidance, in a full complement assembly, depends largely on contact between needle rollers. Too little circumferential clearance causes overheating. Too much circumferential clearance in a heavily loaded full complement of needle rollers causes loss of needle roller guidance and results in needle roller skew and resultant end thrusting.

Control of radial clearance and circumferential clearance is influenced by the needle roller diameter tolerance, as well as the tolerances of the inner and outer raceway diameters.

Table B8-8. Minimum clearances, normal rotating applications

F Nominal Inner Raceway Diameter mm in		$cc_{min}/\pi$	$G_r \min$
>	≤	mm in	mm in
>	≤	mm in	mm in
-	3 0.1181	0.025 0.0010	0.006 0.0002
3 0.1181	6 0.2362	0.102 0.0040	0.008 0.0003
6 0.2362	10 0.3937	0.127 0.0050	0.009 0.0004
10 0.3937	18 0.7087	0.127 0.0050	0.011 0.0004
18 0.7087	30 1.1811	0.127 0.0050	0.013 0.0005
30 1.1811	50 1.9685	0.127 0.0050	0.016 0.0006
50 1.9685	80 3.1496	0.127 0.0050	0.019 0.0007
80 3.1496	120 4.7244	0.127 0.0050	0.022 0.0009

Table B8-9. Minimum clearances, miscellaneous applications

Application	$cc_{min}/\pi$	$G_r \min$
universal joint	1/3 • normal	1/2 • normal
transmission pilot	normal	3 • normal
constant mesh gear	0.2 • roller dia.	normal
transmission planet	normal	normal
crank pin for two cycle engine	5 • normal	7 • normal

END CLEARANCE

The total needle roller end clearance, or endplay, normally should be 0.20 mm (0.008 in) minimum per path of needle rollers.

Table B8-10. Recommended inner raceway diameter tolerances

F Nominal Inner Raceway Diameter mm in		Tolerance Limits (ISO h5) mm in	
>	≤	Max.	Min.
3 0.1181	6 0.2362	0 0	-0.005 -0.0002
6 0.2362	10 0.3937	0 0	-0.006 -0.0002
10 0.3937	18 0.7087	0 0	-0.008 -0.0003
18 0.7087	30 1.1811	0 0	-0.009 -0.0004
30 1.1811	50 1.9685	0 0	-0.011 -0.0004
50 1.9685	80 3.1496	0 0	-0.013 -0.0005
80 3.1496	120 4.7244	0 0	-0.015 -0.0006

Table B8-11. Recommended outer raceway bore diameter tolerances

E Nominal Outer Raceway Bore Diameter mm in		Tolerance Limits (ISO H6) mm in	
>	≤	Max.	Min.
3 0.1181	6 0.2362	0.008 0.0003	0 0
6 0.2362	10 0.3937	0.009 0.0004	0 0
10 0.3937	18 0.7087	0.011 0.0004	0 0
18 0.7087	30 1.1811	0.013 0.0005	0 0
30 1.1811	50 1.9685	0.016 0.0006	0 0
50 1.9685	80 3.1496	0.019 0.0007	0 0
80 3.1496	120 4.7244	0.022 0.0009	0 0



### LOAD RATING AND LIFE CALCULATIONS FOR FULL COMPLEMENTS OF NEEDLE ROLLERS

Before selecting the quantity and size of needle rollers to be used in a needle roller complement, it is usually necessary to calculate the load rating required using the applied load, speed and desired life. For a review of bearing size selection, see the engineering section of this catalog.

Because it is not practical to tabulate the dynamic and static load ratings for the great number of needle roller complements that can be assembled by using different quantities, diameters and lengths of rollers, formulae are provided for the necessary calculations. See Tables B8-3 and B8-4 on page B-8-9 and Table B8-5 on page B-8-10 for calculation of  $L_{we}$ .

For convenience, values of  $f_c$  and values of  $Z^{3/4}$  have been combined into single factors ( $f_c Z^{3/4}$ ). These factors, for a wide range of roller complements, are tabulated in Table B8-12.

Table B8-12. Values of  $f_c Z^{3/4}$  for metric units

Z	$f_c Z^{3/4}$ kN - units		Z	$f_c Z^{3/4}$ kN - units	
	mm	in		mm	in
6	0.267	0.0105	34	1.288	0.0507
7	0.336	0.0132	35	1.310	0.0516
8	0.400	0.0158	36	1.331	0.0524
9	0.459	0.0181	37	1.353	0.0533
10	0.514	0.0202	38	1.374	0.0541
11	0.565	0.0222	39	1.394	0.0549
12	0.613	0.0241	40	1.415	0.0557
13	0.658	0.0259	41	1.435	0.0565
14	0.701	0.0276	42	1.454	0.0572
15	0.742	0.0292	43	1.474	0.0580
16	0.781	0.0308	44	1.493	0.0588
17	0.818	0.0322	45	1.512	0.0595
18	0.853	0.0336	46	1.531	0.0603
19	0.887	0.0349	47	1.549	0.0610
20	0.919	0.0362	48	1.568	0.0617
21	0.951	0.0374	49	1.586	0.0624
22	0.981	0.0386	50	1.604	0.0632
23	1.011	0.0398	51	1.621	0.0638
24	1.039	0.0409	52	1.639	0.0645
25	1.067	0.0420	53	1.656	0.0652
26	1.094	0.0430	54	1.673	0.0659
27	1.120	0.0441	55	1.690	0.0665
28	1.145	0.0451	56	1.707	0.0672
29	1.170	0.0461	57	1.724	0.0679
30	1.195	0.0471	58	1.740	0.0685
31	1.219	0.0480	59	1.757	0.0692
32	1.242	0.0489	60	1.773	0.0698
33	1.265	0.0498			

### BASIC DYNAMIC LOAD RATINGS

The basic dynamic load rating C, for any roller bearing, can be calculated from the formula:

$$C = f_c (i L_{we} \cos \alpha)^{7/9} Z^{3/4} D_{we}^{29/27}$$

Where:

$f_c$  = a factor which depends on the geometry of the bearing components, the accuracy to which the various components are made, and the material. Maximum values are listed in such standards as ISO 281 and USA ANSI-ABMA Standard 11.

$i$  = number of rows of rollers in any one bearing.

$\alpha$  = nominal angle of contact. Since  $\alpha = 0$  for a radial roller bearing,  $\cos \alpha = 1$ .

Other symbols are explained in Table B8-5 on page B-8-10.

For single-path radial roller bearings, where  $i = 1$  and  $\cos \alpha = 1$ , the basic dynamic load rating formula can be written as:

$$C = f_c Z^{3/4} L_{we}^{7/9} D_{we}^{29/27}$$

#### Example:

Calculate the basic dynamic load rating for a full complement of 28 flat-end rollers, 3.000 mm (0.1181 in) diameter and 17.800 mm (0.7008 in) length.

$$C = f_c Z^{3/4} L_{we}^{7/9} D_{we}^{29/27}$$

$f_c Z^{3/4}$  from Table B8-12 on page B-8-12 = 1.145

$$D_{we}^{29/27} = 3^{29/27} = 3.254$$

$$L_{we} = 17.8 - 0.4 = 17.4 \text{ mm (see Table B8-5 on page B-8-10)}$$

$$L_{we}^{7/9} = 17.4^{7/9} = 9.223$$

$$C = 1.145 \times 9.223 \times 3.254 = 34.4 \text{ kN}$$

When a couple load (overturning moment) is imposed on a single row of needle rollers, the resulting uneven distribution of load can seriously affect bearing life. In such cases, two rows of needle rollers are generally suggested.

Your representative should be consulted before a final selection of a needle roller complement is made.

### BASIC STATIC LOAD RATING

The basic static load rating ( $C_0$ ) for any roller bearing, including needle roller bearings, can be calculated from the following formula included in ISO 76, USA ANSI-ABMA Standard 11, and other Standards:

$$C_0 = f_0 \left( 1 - \frac{D_{we} \cos \alpha}{D_{pw}} \right) i Z L_{we} D_{we} \cos \alpha$$

Where:

$f_0$  = 0.044 when kilo-newton and millimeter units are used.

$D_{pw}$  = pitch diameter of the needle roller complement (mm).

$i$  = number of rows of rollers in any one bearing.

$\alpha$  = nominal angle of contact. Since  $\alpha = 0$  for radial roller bearing,  $\cos \alpha = 1$ .

The other symbols are described in Table B8-5 on page B-8-10.



NEEDLE ROLLERS – INCH SERIES

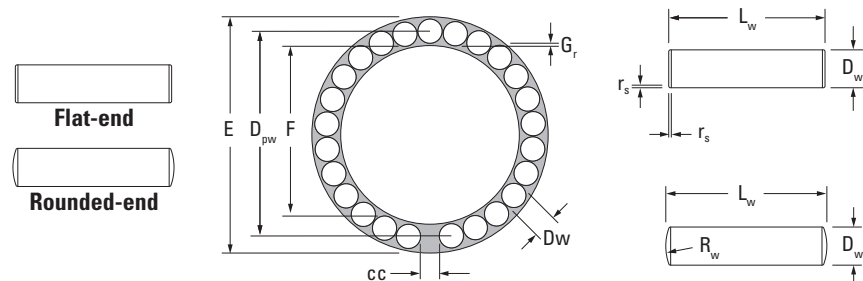


Fig. B8-2. Inch series needle rollers

INTRODUCTION

Before selecting a specific needle roller complement, the engineering section should be reviewed for detailed information concerning:

- Bearing type selection.
- Bearing life and reliability.
- Definition of load ratings.
- Life and load relationships.
- Effect of raceway hardness.
- Example of life calculation.
- Lubrication.
- Shaft design.
- Housing design.

In addition to these general considerations, material which follows should also be reviewed when selecting a needle roller complement.

Standard inch series needle rollers are furnished in two styles – rounded-end or the most economical design: flat-end. Materials, dimensions and tolerances for standard needle rollers are specified in this section.

When required, needle rollers having spherical ends, conical ends, trunnion ends or crank pin ends, as well as other end designs, can be furnished. Your representative should be consulted before final needle roller selection is made.

INCH SERIES – NEEDLE ROLLER DIMENSIONS

Needle rollers are made from rolling-bearing-quality steel hardened to 60-64 HRC or equivalent. Nominally inch needle rollers are given in Table B8-13. Your representative should be consulted for availability. The symbols used in Tables B8-13, as well as in subsequent tables and figures, are summarized in Table B8-14 on page B-8-16.

Needle rollers with rounded-ends permit the use of a more generous fillet between the raceway and the locating shoulder than is possible with flat-end rollers. Also, due to the length of the rounded-end, the possibility of the roller's cylindrical surface operating over the edge of the raceway is less – reducing the chance of occurrence of harmful stress concentrations. On the other hand, where design considerations permit their use, flat-end rollers achieve the maximum possible effective contact length between roller and raceway along with maximum load ratings and longer life.

Table B8-13. Preferred needle roller sizes

D <sub>w</sub> Nominal dia.	L <sub>w</sub> Nominal length																							
	3.048	4.064	4.826	5.588	6.350	7.112	7.874	9.652	11.176	12.700	14.224	15.748	19.050	22.352	25.400	28.448	31.750	35.052	38.100	44.450	50.800	57.150	63.500	
mm in	0.12	0.16	0.19	0.22	0.25	0.28	0.31	0.38	0.44	0.5	0.56	0.62	0.75	0.88	1	1.12	1.25	1.38	1.5	1.75	2	2.25	2.5	
1.588 0.0625					•	•	•	•	•	•	•	•	•											
1.984 0.0781								•	•	•	•	•	•											
2.383 0.0938								•	•	•	•	•	•	•	•									
3.175 0.1250										•	•	•	•	•	•	•	•	•	•					
3.967 0.1562											•	•	•	•	•	•	•	•	•	•				
4.763 0.1875												•	•	•	•	•	•	•	•	•				
5.558 0.2188													•	•	•	•	•	•	•	•	•	•	•	•
6.350 0.2500														•	•	•	•	•	•	•	•	•	•	•

\* Indicates preferred needle roller sizes. Consult with your representative.

CLEARANCES IN NEEDLE ROLLER COMPLEMENTS

Needle rollers, supplied in bulk, are generally used to assemble full complement bearings. Successful operation of a full complement of rollers not only requires careful selection of radial clearance, but more importantly, depends on proper circumferential clearance – or the total clearance between rollers.

Circumferential guidance in a full complement of needle rollers depends largely on roller-to-roller contact. Too little circumferential clearance causes overheating. Too much circumferential clearance, in a heavily loaded full complement of needle rollers, causes loss of roller guidance and results in roller skew and heavy end thrust.

Control of radial clearance and circumferential clearance is influenced by the roller diameter tolerance, as well as the tolerances of the inner and outer raceway diameters.

END CLEARANCE

The total needle roller end clearance, or endplay, normally should be 0.2 mm (0.008 in) minimum per path of needle rollers.

NOMINAL-INCH NEEDLE ROLLER TOLERANCES

Unless otherwise specified, inch needle rollers are normally manufactured with a tolerance of +0.000 mm -0.005 mm (+0.0000 in -0.0002 in). This tolerance has proven acceptable and ensures satisfactory control of circumferential clearance. The needle roller length tolerance may vary with the end configuration. The normal roller length tolerance for rounded-end rollers is +0.000 mm -0.508 mm (+0.0000 in -0.0200 in).

JTEKT also manufactures needle rollers with 0.0025 mm (0.0001 in) diameter tolerance. These offer enhanced load-carrying capability and improved control of circumferential clearance. For needle rollers of greater precision, please consult with your representative.

Nominal dimensions for typical inch series needle rollers are shown in Table B8-13 on page B-8-14. JTEKT can supply rollers with smaller and larger length-to-diameter ratios for special applications. Rollers with dimensions other than those shown in Table B8-13 on page B-8-14 can be obtained, provided the quantities permit economical production. For example, although the largest needle rollers shown in Table B8-13 on page B-8-14 are 6.35 mm (0.2500 in) [the usual limits for needle rollers], JTEKT can produce quantities of rollers as large as 15.900 mm (0.6250 in) diameter.

Your representative should be contacted with the following information about the required needle rollers:

- Nominal metric or inch.
- Diameter and tolerance (e.g., 3.175 mm, + 0.000 mm, -0.005 mm [0.1250 in, + 0.0000 in, -0.0002 in]).
- Length and tolerance (e.g., 14.224 mm, + 0.000 mm, -0.508 mm [0.5600 in, + 0.0000 in, -0.0200 in]).
- End form (e.g., rounded-end or flat-end).
- Material (e.g., high-carbon chrome steel).

- Special features required (e.g., controlled stress).
- Quantity required.

DESIGN CALCULATIONS FOR NEEDLE ROLLER BEARING COMPLEMENTS

In the majority of full complement needle roller applications, roller complements of less than 35 needle rollers per row and a ratio of roller length to roller diameter between 4:1 and 8:1 is advantageous. Other combinations of quantity and length-to-diameter ratios of needle rollers have been used successfully. Specific design requirements usually dictate the appropriate selection.

In general, roller complements for rotating motion should employ a smaller number of larger-diameter needle rollers, while roller complements subjected to oscillating motion (especially under high loads) should employ a larger number of smaller-diameter needle rollers.

Oscillating applications with small angular travel encourage the development of fretting corrosion. The best performance under these conditions has been achieved by using the largest practical number of small-diameter needle rollers.

CALCULATION OF RACEWAY DIAMETERS

It may be convenient to use the Bearing Calculation Form in Table B8-15 on page B-8-16 to calculate the maximum inner raceway and the minimum outer raceway diameters of a bearing. The formula given in Table B8-14 on page B-8-16 can also be used. To assist the designer in making these calculations, the values of K, required for calculation of needle roller complements of 6 through 60 needle rollers, are listed in Table B8-18 on page B-8-17. Values of K for other numbers of needle rollers will be furnished on request or can be calculated from the formula given in Table B8-14 on page B-8-16.

Table B8-16 on page B-8-16 lists the suggested values for minimum radial clearance and (G<sub>r min</sub>) minimum circumferential clearance divided by π (cc<sub>min</sub>/π), to be used for calculating needle roller complements for normal rotating applications where the speeds, loads and shaft deflections are moderate.

Applications with poor lubrication, unusual motion, large misalignment, raceway distortions, load reversals, high speeds, etc., can not be characterized as normal rotating applications. These miscellaneous applications require adjustment of the minimum clearances listed in Table B8-16 on page B-8-16. The factors in Tables B8-17 on page B-8-16 may be used for general guidance in the adjustment of the minimal clearances. For any of the listed miscellaneous applications or any application where abnormal factors such as those listed above exist – and particularly when the inner raceway diameter will exceed 50.800 mm (2.0000 in) – your representative should be consulted for design assistance.



Table B8-14. Design factors for needle rollers

Z	Number of needle rollers per bearing path
K	Chordal factor, $K = 1/\sin(180^\circ/Z)$
cc	Total circumferential clearance. See Tables B8-16 and B8-17 for $cc_{min}/\pi$ values.
$G_r$	Radial internal clearance. See Tables B8-16 and B8-17 for $G_{r min}$ values
$D_{pw}$	Pitch diameter: $D_{pw} = KD_{w max} + (cc_{min}/\pi) = E_{min} - D_{w max}$ $= F_{max} + G_{r min} + D_{w max}$
E	Outer raceway bore diameter: $E_{min} = D_{pw} + D_{w max} = (K + 1)D_{w max} + (cc_{min}/\pi)$ $= F_{max} + G_{r min} + 2D_{w max}$
F	Inner raceway diameter: $F_{max} = D_{pw} - D_{w max} - G_{r min}$ $= (K-1)D_{w max} + (cc_{min}/\pi) - G_{r min}$ $= E_{min} - 2D_{w max} - G_{r min}$
$D_w$	Nominal needle roller diameter
$D_{we}$	Needle roller diameter applicable in the calculation of load ratings: $D_{we} = D_{pw} - F_{max} - G_{r min} = \frac{D_{pw} - cc_{min}/\pi}{K}$ $= \frac{F_{max} + G_{r min} - (cc_{min}/\pi)}{(K-1)}$ $= E_{min} - D_{pw} = \frac{E_{min} - cc_{min}/\pi}{(K+1)}$
$L_w$	Overall needle roller length
$R_w$	End radius, rounded-end needle roller
$r_s$	Corner rounding, flat-end needle roller
$L_{we}$	Needle roller length applicable in the calculation of load ratings, for rounded-end needle rollers: $L_{we} = L_w max - (0.4D_{we})$ For flat-end needle rollers: $L_{we} = L_w max - (2r_s min)$

Note: If length of contact of the needle roller with the raceway is reduced because of undercuts, chamfers, etc. –  $L_{we}$  must be reduced correspondingly.

RACEWAY DIAMETER TOLERANCE LIMITS

Tables B8-19 and B8-20 on page B-8-17 lists the recommended tolerances that should be applied to the dimensions for the maximum inner raceway and the minimum outer raceway diameter after they have been calculated using the Bearing Calculation Form, Table B8-15.

Table B8-15. Bearing calculation form

Step	Source	Design factor	mm (in)	
1	Given	$D_w$ , roller diameter	3.175 (0.1250) max.	Min.
2	Table B8-18	K, for 30 rollers	9.56677 (9.56677)	
3	(1)×(2)	$KD_w$	30.374 (1.1958)	
4	Table B8-16	$cc_{min}/\pi = 0.005$ in	0.127 (0.005) min.	Max.
5	(3) + (4)	$D_{pw}$ , pitch diameter	30.501 (1.2008)	
6	Given	$D_w$ , roller diameter	3.175 (0.1250) max.	Min.
7	(5) - (6)		27.326 (1.0758)	
8	Table B8-16	$G_r$ , radial clearance	0.013 (0.0005) min.	Max.
9	(7) - (8)	F, inner raceway diameter	27.349 (1.0753) max.	27.340 (1.0749) min. <sup>(1)</sup>
10	(5) + (6)	E, outer raceway diameter	33.676 (1.3258) min.	33.692 (1.3264) max. <sup>(1)</sup>

<sup>(1)</sup> From Tables B8-20 and B8-21 on page B-8-17.

Table B8-16. Minimum clearances, normal rotating applications

F Nominal Inner Raceway Diameter mm in		$cc_{min}/\pi$	$G_{r min}$
>	≤	mm in	mm in
-	3	0.025	0.006
-	0.1181	0.0010	0.0002
3	6	0.102	0.008
0.1181	0.2362	0.0040	0.0003
6	10	0.127	0.009
0.2362	0.3937	0.0050	0.0004
10	18	0.127	0.011
0.3937	0.7087	0.0050	0.0004
18	30	0.127	0.013
0.7087	1.1811	0.0050	0.0005
30	50	0.127	0.016
1.1811	1.9685	0.0050	0.0006
50	80	0.127	0.019
1.9685	3.1496	0.0050	0.0007
80	120	0.127	0.022
3.1496	4.7244	0.0050	0.0009

Table B8-17. Minimum clearances, miscellaneous applications

Application	$cc_{min}/\pi$	$G_{r min}$
universal joint	1/3 • normal	1/2 • normal
transmission pilot	normal	3 • normal
constant mesh gear	0.2 • roller dia.	normal
transmission planet	normal	normal
crank pin for two cycle engine	5 • normal	7 • normal

Table B8-18. K values

Z	K	Z	K	Z	K	Z	K
6	2.00000	21	6.70951	36	11.47371	51	16.24408
7	2.30476	22	7.02667	37	11.79163	52	16.56219
8	2.61313	23	7.34394	38	12.10957	53	16.88031
9	2.92380	24	7.66130	39	12.42752	54	17.19843
10	3.23607	25	7.97873	40	12.74549	55	17.51657
11	3.54947	26	8.29623	41	13.06348	56	17.83471
12	3.86370	27	8.61379	42	13.38149	57	18.15285
13	4.17858	28	8.93140	43	13.69951	58	18.47100
14	4.49396	29	9.24907	44	14.01754	59	18.78916
15	4.80973	30	9.56677	45	14.33559	60	19.10732
16	5.12583	31	9.88452	46	14.65364		
17	5.44219	32	10.20230	47	14.97171		
18	5.75877	33	10.52011	48	15.28979		
19	6.07553	34	10.83795	49	15.60788		
20	6.39245	35	11.15582	50	15.92597		

Table B8-19. Recommended inner raceway diameter tolerances

F Nominal Inner Raceway Diameter mm in		Tolerance Limits (ISO h5) mm in	
>	≤	Max.	Min.
3	6	0	-0.005
0.1181	0.2362	0	-0.0002
6	10	0	-0.006
0.2362	0.3937	0	-0.0002
10	18	0	-0.008
0.3937	0.7087	0	-0.0003
18	30	0	-0.009
0.7087	1.1811	0	-0.0004
30	50	0	-0.011
1.1811	1.9685	0	-0.0004
50	80	0	-0.013
1.9685	3.1496	0	-0.0005
80	120	0	-0.015
3.1496	4.7244	0	-0.0006

Table B8-20. Recommended outer raceway bore diameter tolerances

E Nominal Outer Raceway Bore Diameter mm in		Tolerance Limits (ISO H6) mm in	
>	≤	Max.	Min.
3	6	0.008	0
0.1181	0.2362	0.0003	0
6	10	0.009	0
0.2362	0.3937	0.0004	0
10	18	0.011	0
0.3937	0.7087	0.0004	0
18	30	0.013	0
0.7087	1.1811	0.0005	0
30	50	0.016	0
1.1811	1.9685	0.0006	0
50	80	0.019	0
1.9685	3.1496	0.0007	0
80	120	0.022	0
3.1496	4.7244	0.0009	0

KEYSTONED ROLLER ASSEMBLIES

Retention of the rollers in the outer raceway by keystoneing can be helpful in assembly operations. The following formula may be used to check the bearing design to be sure that a given number of rollers, Z, will keystone.

$$YD_{w min} > E_{max} = \text{keystone condition}$$

That is, the product of the keystone constant Y, given below, and the minimum roller diameter  $D_{w min}$ , must be greater than the maximum outer race bore,  $E_{max}$ .

Roller complements with 14 or more rollers usually will not keystone unless steps are taken to reduce the circumferential clearance. It is suggested that your representative be consulted when designing a keystoneed roller complement with 14 or more rollers.

Table B8-21. Keystone constant

Z	Y	Z	Y
8	3.67633	14	5.51128
9	3.97094	15	5.82467
10	4.27277	16	6.13885
11	4.57895	17	6.45365
12	4.88797	18	6.76893
13	5.19892	19	7.08461



**LOAD RATING AND LIFE CALCULATIONS FOR FULL COMPLEMENTS OF NEEDLE ROLLERS**

Before selecting the quantity and size of needle rollers to be used in a needle roller complement, it is usually necessary to calculate the load rating required using the applied load, speed and desired life.

Since it is not practical to tabulate the dynamic and static load ratings for the great number of needle roller complements that can be assembled by using different quantities, diameters and lengths of rollers, formulae are provided for the necessary calculations.

For convenience, values of  $f_c$  and values of  $Z^{3/4}$  have been combined into single factors ( $f_c Z^{3/4}$ ). These factors for a wide range of needle roller complements are contained in Table B8-22.

**Table B8-22. Values of  $f_c Z^{3/4}$  for inch units**

Z	$f_c Z^{3/4}$ lbf - units in	Z	$f_c Z^{3/4}$ lbf - units in
6	24000	36	119600
7	30200	37	121500
8	35900	38	123400
9	41200	39	125200
10	46100	40	127100
11	50700	41	128900
12	55100	42	130600
13	59100	43	132400
14	63000	44	134100
15	66600	45	135800
16	70100	46	137500
17	73400	47	139200
18	76600	48	140800
19	79700	49	142400
20	82600	50	144000
21	85400	51	145600
22	88100	52	147200
23	90800	53	148800
24	93300	54	150300
25	95800	55	151800
26	98200	56	153300
27	100600	57	154800
28	102900	58	156300
29	105100	59	157800
30	107300	60	159200
31	109500		
32	111600		
33	113600		
34	115600		
35	117600		

**BASIC DYNAMIC LOAD RATINGS**

The basic dynamic load rating, C, for any roller bearing can be calculated from the formula:

$$C = f_c (i L_w \cos \alpha)^{7/9} Z^{3/4} D_w^{29/27}$$

Where:

- $f_c$  = a factor which depends on the geometry of the bearing components, the accuracy to which the various components are made, and the material. Maximum values are listed in such standards as ISO 281 and USA ANSI-ABMA Standard 11.
- $i$  = number of rows of needle rollers in any one bearing.
- $\alpha$  = nominal angle of contact. Since  $\alpha = 0$  for a radial needle roller bearing,  $\cos \alpha = 1$ .

Other symbols are explained in Table B8-14 on page B-8-16.

For single-path radial needle roller bearings, where  $i = 1$  and  $\cos \alpha = 1$ , the basic dynamic load rating formula can be written as:

$$C_r = f_c Z^{3/4} L_{we}^{7/9} D_w^{29/27}$$

**Example:**

Calculate the basic dynamic load rating in lbf for a full complement of 28 rounded-end rollers, 0.1250 inch diameter and 0.750 inch length.

$$C = f_c Z^{3/4} L_{we}^{7/9} D_w^{29/27}$$

$$f_c Z^{3/4} \text{ from Table B8-22} = 102900$$

Where:

$$D_w^{29/27} = 0.1250^{29/27} = 0.1072$$

$$L_{we} = 0.750 - (0.4) 0.1250 = 0.700 \text{ (see Table B8-14 on page B-8-16)}$$

$$L_{we}^{7/9} = 0.700^{7/9} = 0.758$$

$$C = 102900 \times 0.1072 \times 0.758 = 8360 \text{ lbf}$$

When a couple load (overturning moment) is imposed on a single row of needle rollers, the resulting uneven distribution of load can seriously affect bearing life. In such cases, two rows of needle rollers are generally suggested.

Your representative should be consulted before a final selection of a needle roller complement is made.

**BASIC STATIC LOAD RATING**

The basic static load rating ( $C_0$ ) for any roller bearing, including needle roller bearings, can be calculated from the following formula included in ISO 76, USA ANSI-ABMA Standard 11 and other Standards:

$$C_0 = f_0 \left( 1 - \frac{D_{we} \cos \alpha}{D_{pw}} \right) i Z L_{we} D_{we} \cos \alpha$$

Where:

- $f_0$  = 6430 when pound-force and inch units are used
- $D_{pw}$  = pitch diameter of the needle roller complement (inch).
- $i$  = number of rows of rollers in any one bearing.
- $\alpha$  = nominal angle of contact. Since  $\alpha = 0$  for radial roller bearing,  $\cos \alpha = 1$ .

The other symbols are described in Table B8-14 on page B-8-16.

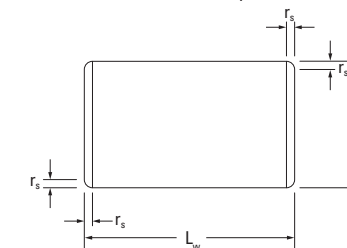
**CYLINDRICAL ROLLERS – METRIC SERIES**

JTEKT cylindrical rollers are made from bearing-quality steel and hardened to 58-65 HRC or equivalent. Nominal metric cylindrical rollers are sorted into gages based on the mean deviation from nominal diameter and nominal length. The relieved ends of the cylindrical rollers, when used in bearing complements, help to reduce stress concentration at the ends of rollers, both under misalignment or ideal alignment. This results in a more uniform stress distribution along the roller-raceway contact length and optimum bearing performance.

**METRIC SERIES CYLINDRICAL ROLLER DIMENSIONS**

Nominally metric cylindrical rollers conforming to DIN 5402 sheet 1 are shown in Table B8-23. Chamfer dimension limits of these cylindrical rollers with flat-ends are also shown in Table B8-23. The use of these chamfer limits results in the maximum possible effective contact length between roller and raceway, along with the already mentioned relieved ends, producing the maximum possible load ratings and longer life.

Each cylindrical roller gage is packed separately, and the mean deviations of diameter and length gages are shown on the package (below the roller designation).



**Fig. B8-3. Metric series cylindrical rollers**

**Table B8-23. Dimensions of metric series cylindrical rollers**

D <sub>w</sub> Nominal diameter	L <sub>w</sub> Nominal length	r <sub>s</sub> min	r <sub>s</sub> max	Cylindrical roller designation	Wt. 100 pieces approx.
mm in	mm in	mm in	mm in		kg lbs
3 0.1181	5 0.1969	0.2 0.0079	0.4 0.0158	ZR0.3x5	0.027 0.060
3.5 0.1378	5 0.1969	0.2 0.0079	0.4 0.0158	ZR0.3,5x5	0.037 0.082
4 0.1575	4 0.1575	0.2 0.0079	0.4 0.0158	ZR0.4x4	0.039 0.086
4 0.1575	6 0.2362	0.2 0.0079	0.4 0.0158	ZR0.4x6	0.058 0.128
4 0.1575	8 0.3150	0.2 0.0079	0.4 0.0158	ZR0.4x8	0.078 0.172
5 0.1969	5 0.1969	0.2 0.0079	0.6 0.236	ZR0.5x5	0.075 0.165
5 0.1969	8 0.3150	0.2 0.0079	0.6 0.236	ZR0.5x8	0.121 0.267
5.5 0.2165	8 0.3150	0.2 0.0079	0.6 0.236	ZR0.5,5x8	0.146 0.322
6 0.2362	6 0.2362	0.2 0.0079	0.6 0.236	ZR0.6x6	0.13 0.287
6 0.2362	12 0.4724	0.2 0.0079	0.6 0.236	ZR0.6x12	0.261 0.575
6.5 0.2559	9 0.3543	0.2 0.0079	0.6 0.236	ZR0.6,5x9	0.23 0.507
7 0.2756	7 0.2756	0.2 0.0079	0.6 0.236	ZR0.7x7	0.206 0.454
7 0.2756	10 0.3937	0.2 0.0079	0.6 0.236	ZR0.7x10	0.296 0.653
7 0.2756	14 0.5512	0.2 0.0079	0.6 0.236	ZR0.7x14	0.417 0.919
7.5 0.2953	7.5 0.2953	0.2 0.0079	0.6 0.236	ZR0.7,5x7.5	0.254 0.560
7.5 0.2953	9 0.3543	0.2 0.0079	0.6 0.236	ZR0.7,5x9	0.312 0.688
7.5 0.2953	11 0.4331	0.2 0.0079	0.6 0.236	ZR0.7,5x11	0.374 0.825
8 0.3150	8 0.3150	0.2 0.0079	0.6 0.236	ZR0.8x8	0.308 0.679
8 0.3150	12 0.4724	0.2 0.0079	0.6 0.236	ZR0.8x12	0.465 1.025
9 0.3543	10 0.3937	0.3 0.0118	0.7 0.0276	ZR0.9x10	0.5 1.102
9 0.3543	14 0.5512	0.3 0.0118	0.7 0.0276	ZR0.9x14	0.68 1.499
10 0.3937	10 0.3937	0.3 0.0118	0.7 0.0276	ZR0.10x10	0.6 1.323
10 0.3937	11 0.4331	0.3 0.0118	0.7 0.0276	ZR0.10x11	0.68 1.499
10 0.3937	14 0.5512	0.3 0.0118	0.7 0.0276	ZR0.10x14	0.85 1.874
11 0.4331	15 0.5906	0.3 0.0118	0.7 0.0276	ZR0.11x15	1.1 2.425
12 0.4724	14 0.5512	0.3 0.0118	0.7 0.0276	ZR0.12x14	1.23 2.712
13 0.5118	20 0.7874	0.4 0.0158	0.8 0.0315	ZR0.13x20	2.04 4.497
14 0.5512	14 0.5512	0.4 0.0158	0.8 0.0315	ZR0.14x14	1.66 3.660
14 0.5512	20 0.7874	0.4 0.0158	0.8 0.0315	ZR0.14x20	2.38 5.247

Note: Mass in accordance with DIN 5402.





**EXAMPLE OF METRIC SERIES CYLINDRICAL ROLLER DESIGNATION AND PACKAGE MARKING:**

ZR0.6 x 8

P0/M6

Nominal diameter:  $D_w = 6.000$  mm

Nominal length:  $L_w = 8.000$  mm

Mean deviation of the diameter +0.0010 mm (see Table B8-24)

Mean deviation of the length -0.006 mm (see Table B8-25)

The actual finished diameter is between 5.999 and 6.001 mm

The actual finished length is between 7.991 and 7.997 mm

In the marking of the cylindrical roller gage, P identifies zero (0) or plus (+), M identifies minus (-). If a shipment of cylindrical rollers of the same size comprises several boxes, each box contains cylindrical rollers of the identical gage, although the gage may vary from box to box.

**Table B8-24. Diameter and form accuracy of metric series cylindrical rollers**

Nominal Diameter $D_w$		Total Diameter Deviation		Variation of Gage	Mean Deviation of Gage DIN/ISO 1101													Circularity Deviation		
>	≤	Max.	Min.															Max.		
mm	mm	μm	μm	μm	μm													μm		
—	20	+7	-9	2	+6	+5	+4	+3	+2	+1	0	-1	-2	-3	-4	-5	-6	-7	-8	0.8

**Table B8-25. Length gages of metric series cylindrical rollers**

Nominal Diameter $L_w$		Total Length Deviation		Variation of Gage	Mean Deviation of Gage				Axial Runout DIN/ISO 1101
>	≤	Max.	Min.						
mm	mm	μm	μm	μm	μm				μm
—	48	+9	-15	6	+6	0	-6	-12	6

**INNER RINGS – METRIC SERIES**

When it is impractical to meet the shaft raceway design requirements (hardness, surface finish, case depth, etc.) outlined in the engineering section of this catalog, standard inner rings may be used.

Inner rings are made of rolling bearing steel and after hardening, their bores, raceways and end surfaces are ground. Metric series inner rings may be used to provide inner raceway surfaces for metric series radial needle roller and cage assemblies, metric series needle roller bearings and metric series drawn cup needle roller bearings. The extended inner rings are suitable for use with bearings containing lip contact seals and for applications in which axial movement may be present.

**CONSTRUCTION**

Metric series inner rings are available with combinations of three primary design features. The inner rings may be purchased: without chamfers at the end of the raceway surface to allow for maximum possible raceway contact area, with lubrication holes to allow for increased lubrication to the bearing area, or with a profiled outer diameter for use in applications having a greater degree of misalignment. Table B8-26 outlines the features offered in the different series.

**Table B8-26. Outline of features**

Series	Lube Hole	Chamfers	Raceway Profile
JR		X	
JR.JS1	X	X	
JRZ.JS1	X		
IM		X	
IM...P		X	
IMC	X	X	
IM...R6		X	X

The lubrication holes are located nominally at the center of the inner ring width. The nominal diameters for the lubrication holes for inner rings listed in this section are shown in Table B8-27.

**Table B8-27. Nominal diameters for the lubrication holes for inner ring**

Series Designation	Inner Ring Bore Diameter		Nominal Lubrication Hole Diameter
	>	≤	mm
JR.JS1		20	2.0
	20	40	2.5
	40	80	3.0
JRZ.JS1	80		3.5
IMC	All catalogue parts		2.2

The BIC and BICG Series inner rings have chamfers and oil holes and are designed to be used with the full complement, metric, needle roller bearings of Series RNA1000, RNA2000 and RNA3000. These inner rings are intended for RNA bearings of the same number; for example a BIC2020 would be used with a RNA2020.

**DIMENSIONAL ACCURACY**

The tolerances of size, form, and runout for metric series inner rings meet the requirements of ISO normal tolerance class for radial bearings (see the engineering section of this catalog). Most

metric series inner rings are produced with outer diameter raceway tolerance in accordance with h5 which, in most cases, is suitable for combining the metric series needle roller bearings to give the normal clearance class and for use with metric caged drawn cup bearings. An exception is the inner rings for metric, full complement drawn cup needle roller bearings; these inner rings are produced with outside diameter raceway tolerance in accordance with g5. Other raceway tolerances may also be found on inner rings for combining with needle roller bearings to give one of the clearance classes, or other specially requested radial internal clearance requirement.

Table B8-28 lists the dimensional accuracy of the IM series inner rings.

**Table B8-28. Dimensional accuracy of IM series inner ring**

Part Designation	OD Tolerance	Other Feature Tolerances
IM & IMC with P suffix	h5	ISO 492 Normal Tolerance Class
IM & IMC without P suffix	g5	Consult engineering
Series 49 (e.g. IM4901, IM4902)	Consult engineering	ISO 492 Normal Tolerance Class
Series IM 19000 & IM 20600	+0.000 / -0.005 mm	Consult engineering

**MOUNTING OF INNER RINGS**

Inner rings may be mounted on the shaft with either a loose transition fit or an interference fit. These fits, used in conjunction with the proper fit of the bearing outer ring, will provide the correct operating clearances for most applications.

Regardless of the fit of the inner ring on the shaft, the inner ring should be axially located by shaft shoulders or other positive means. The shaft shoulder diameter adjacent to the inner ring must not exceed the inner ring outer diameter (per suggestions on page B-4-9 of the metric series needle roller bearing section).

When metric series inner rings are to be used with the metric series needle roller bearings, appropriate shaft tolerances should be selected from Table B4-4 on page B-4-9 in the heavy-duty needle roller bearing section. When metric series inner rings are to be used with drawn- cup bearings, the suggested shaft tolerances are given in the “inner rings” discussion on page B-2-8 of the metric series drawn cup needle roller bearings section of this catalog.

**INCH SERIES INNER RINGS**

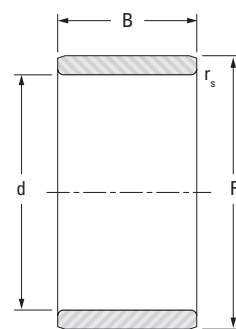
Inch series inner rings for use with inch series drawn cup bearings are tabulated on page B-2-74 of this catalog. See page B-4-54 for inch series inner rings for use with inch series heavy-duty needle roller bearings.

**END WASHERS – METRIC SERIES**

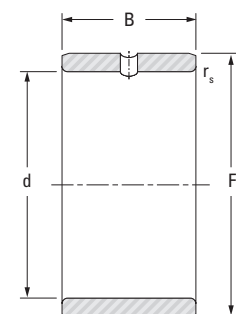
When the metric series radial needle roller and cage assembly used in series NAO and RNAO needle roller bearings without flanges cannot be axially located by suitable shoulders or side faces, end washers of series SNSH may be used. These end washers, which are made of spring steel, are designed to be guided in the housing bore. They are tabulated on page B-8-39.



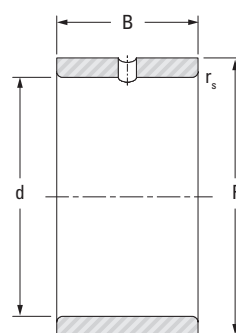
INNER RINGS  
METRIC SERIES



JR, IM..P



JR.JS1

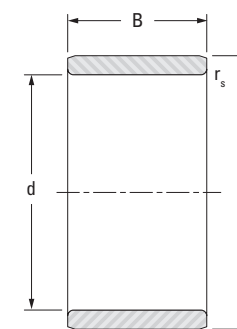


JRZ.JS1

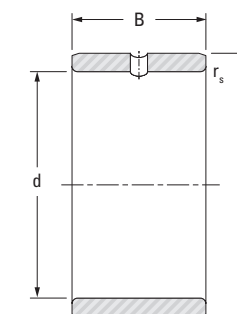
Shaft Dia.	d	F <sup>(1)</sup>	B	r <sub>s</sub> min	Inner Ring Designation	Wt.
mm in	mm in	mm in	mm in	mm in		kg lbs
5 0.1969	5 0.1969	8 0.3150	8 0.3150	0.3 0.01	JR5x8x8JS1	0.002 0.004
	5 0.1969	8 0.3150	12 0.4724	0.3 0.01	JR5x8x12	0.003 0.007
	5 0.1969	8 0.3150	16 0.630	0.3 0.01	JR5x8x16	0.004 0.009
6 0.2362	6 0.2362	9 0.3543	8 0.315	0.3 0.01	JR6x9x8JS1	0.002 0.004
	6 0.2362	9 0.3543	12 0.4724	0.3 0.01	JR6x9x12	0.003 0.007
	6 0.2362	9 0.3543	16 0.630	0.3 0.01	JR6x9x16	0.004 0.009
	6 0.2362	10 0.3937	10 0.394	0.3 0.01	JR6x10x10	0.004 0.009
	6 0.2362	10 0.3937	10 0.394	0.3 0.01	JR6x10x10JS1	0.004 0.009
	6 0.2362	10 0.3937	12 0.4724	0.3 0.01	JRZ6x10x12JS1	0.005 0.011
7 0.2756	7 0.2756	10 0.3937	10.5 0.413	0.3 0.01	JR7x10x10,5	0.003 0.007
	7 0.2756	10 0.3937	12 0.4724	0.3 0.01	JR7x10x12	0.004 0.009
	7 0.2756	10 0.3937	16 0.630	0.3 0.01	JR7x10x16	0.005 0.011
8 0.3150	8 0.3150	12 0.4724	10 0.394	0.3 0.01	JR8x12x10	0.005 0.011
	8 0.3150	12 0.4724	10 0.394	0.3 0.01	JR8x12x10JS1	0.005 0.011
	8 0.3150	12 0.4724	10.5 0.413	0.3 0.01	JR8x12x10,5	0.005 0.011
	8 0.3150	12 0.4724	12 0.472	0.3 0.01	JRZ8x12x12JS1	0.006 0.013
	8 0.3150	12 0.4724	12.5 0.492	0.3 0.01	JR8x12x12,5	0.006 0.013
	8 0.3150	12 0.4724	16 0.630	0.3 0.01	IM 8 12 16 P	0.007 0.016
9 0.3543	9 0.3543	12 0.4724	12 0.4724	0.3 0.01	JR9x12x12	0.005 0.011
	9 0.3543	12 0.4724	16 0.630	0.3 0.01	JR9x12x16	0.006 0.013
10 0.3937	10 0.3937	13 0.5118	12.5 0.492	0.3 0.01	JR10x13x12,5	0.005 0.011
	10 0.3937	14 0.5512	11 0.433	0.3 0.01	JR10x14x11JS1	0.007 0.015
	10 0.3937	14 0.5512	12 0.4724	0.3 0.01	JR10x14x12	0.007 0.015
	10 0.3937	14 0.5512	12 0.4724	0.3 0.01	JR10x14x12JS1	0.007 0.015

<sup>(1)</sup> Inner rings for metric full complement needle roller bearings are produced with outside diameter tolerance g5.

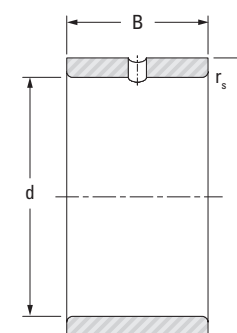
INNER RINGS  
METRIC SERIES



JR, IM..P



JR.JS1



JRZ.JS1

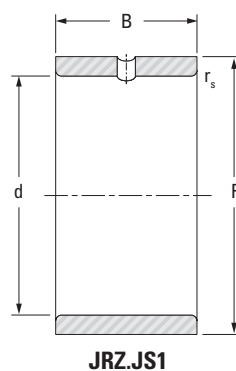
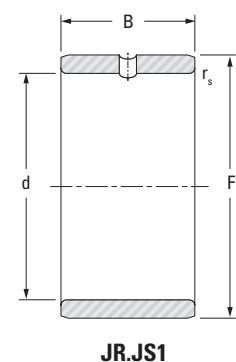
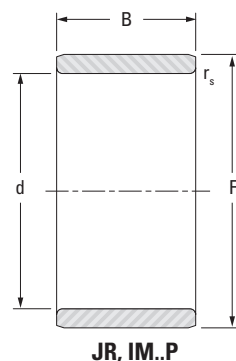
Shaft Dia.	d	F <sup>(1)</sup>	B	r <sub>s</sub> min	Inner Ring Designation	Wt.
mm in	mm in	mm in	mm in	mm in		kg lbs
10 0.3937	10 0.3937	14 0.5512	13 0.512	0.3 0.01	JR10x14x13	0.007 0.015
	10 0.3937	14 0.5512	14 0.551	0.3 0.01	JRZ10x14x14JS1	0.008 0.018
	10 0.3937	14 0.5512	16 0.630	0.3 0.01	JR10x14x16	0.009 0.020
	10 0.3937	14 0.5512	20 0.787	0.3 0.01	JR10x14x20	0.012 0.026
12 0.4724	12 0.4724	15 0.5906	12.5 0.492	0.3 0.01	JR12x15x12,5	0.006 0.013
	12 0.4724	15 0.5906	16 0.630	0.3 0.01	JR12x15x16	0.008 0.018
	12 0.4724	15 0.5906	16.5 0.650	0.3 0.01	JR12x15x16,5	0.008 0.018
	12 0.4724	15 0.5906	18.5 0.728	0.3 0.01	JR12x15x18,5	0.009 0.020
	12 0.4724	15 0.5906	22.4 0.882	0.2 0.01	IM 12 15 22,4 P	0.011 0.024
	12 0.4724	15 0.5906	22.5 0.886	0.3 0.01	JR12x15x22,5	0.011 0.024
	12 0.4724	16 0.6299	12 0.472	0.3 0.01	JR12x16x12	0.008 0.018
	12 0.4724	16 0.6299	12 0.472	0.3 0.01	JR12x16x12JS1	0.008 0.018
	12 0.4724	16 0.6299	13 0.512	0.3 0.01	JR12x16x13	0.008 0.018
	12 0.4724	16 0.6299	14 0.551	0.3 0.01	JRZ12x16x14JS1	0.010 0.022
	12 0.4724	16 0.6299	16 0.630	0.3 0.01	JR12x16x16	0.011 0.024
	12 0.4724	16 0.6299	20 0.787	0.3 0.01	JR12x16x20	0.014 0.031
	12 0.4724	16 0.6299	22 0.866	0.3 0.01	JR12x16x22	0.015 0.033
13 0.5118	13 0.5118	18 0.7087	16 0.630	0.35 0.014	IM 13 18 16 P	0.015 0.033
14 0.5512	14 0.5512	17 0.6693	17 0.669	0.3 0.01	JR14x17x17	0.009 0.020
15 0.5906	15 0.5906	18 0.7087	16.5 0.650	0.3 0.01	JR15x18x16,5	0.010 0.022
	15 0.5906	19 0.7480	16 0.630	0.3 0.01	JR15x19x16	0.013 0.029
	15 0.5906	19 0.7480	20 0.787	0.3 0.01	JR15x19x20	0.017 0.037
	15 0.5906	20 0.7874	12 0.472	0.3 0.01	JR15x20x12	0.012 0.026
	15 0.5906	20 0.7874	12 0.472	0.3 0.01	JR15x20x12JS1	0.012 0.026

<sup>(1)</sup> Inner rings for metric full complement needle roller bearings are produced with outside diameter tolerance g5.

Continued on next page.



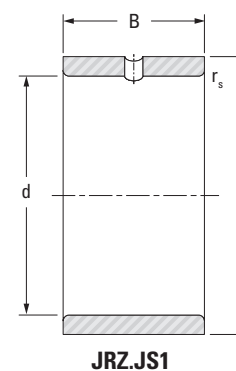
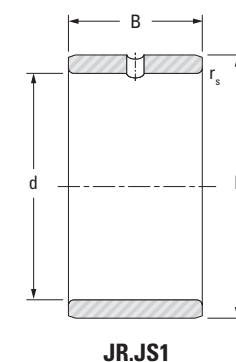
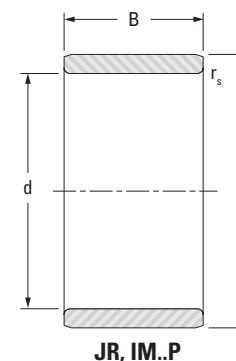
INNER RINGS  
METRIC SERIES



Shaft Dia.	d	F <sup>(1)</sup>	B	r <sub>s</sub> min	Inner Ring Designation	Wt.
mm in	mm in	mm in	mm in	mm in		kg lbs
15 0.5906	15 0.5906	20 0.7874	13 0.512	0.3 0.01	JR15x20x13	0.014 0.031
	15 0.5906	20 0.7874	14 0.551	0.3 0.01	JRZ15x20x14JS1	0.015 0.033
	15 0.5906	20 0.7874	16 0.630	0.3 0.01	JR15x20x16	0.017 0.037
	15 0.5906	20 0.7874	20 0.787	0.35 0.014	IM 15 20 20 P	0.021 0.045
	15 0.5906	20 0.7874	23 0.906	0.3 0.01	JR15x20x23	0.025 0.055
	15 0.5906	20 0.7874	26 1.024	0.3 0.01	JR15x20x26	0.028 0.062
17 0.6693	17 0.6693	20 0.7874	16.5 0.650	0.3 0.01	JR17x20x16,5	0.011 0.024
	17 0.6693	20 0.7874	20 0.787	0.3 0.01	JR17x20x20	0.014 0.031
	17 0.6693	20 0.7874	20.5 0.807	0.3 0.01	JR17x20x20,5	0.014 0.031
	17 0.6693	20 0.7874	30.5 1.201	0.3 0.01	JR17x20x30,5	0.021 0.046
	17 0.6693	21 0.8268	16 0.630	0.3 0.01	JR17x21x16	0.015 0.033
	17 0.6693	21 0.8268	20 0.787	0.3 0.01	JR17x21x20	0.019 0.042
	17 0.6693	22 0.8661	13 0.512	0.3 0.01	JR17x22x13	0.015 0.033
	17 0.6693	22 0.8661	13 0.512	0.35 0.014	IM 4903	0.015 0.033
	17 0.6693	22 0.8661	16 0.630	0.3 0.01	JR17x22x16	0.019 0.042
	17 0.6693	22 0.8661	16 0.630	0.3 0.01	JR17x22x16JS1	0.019 0.042
	17 0.6693	22 0.8661	16 0.630	0.3 0.01	JRZ17x22x16JS1	0.019 0.042
	17 0.6693	22 0.8661	20 0.787	0.35 0.014	IM 17 22 20 P	0.023 0.051
	17 0.6693	22 0.8661	23 0.906	0.3 0.01	JR17x22x23	0.028 0.062
	17 0.6693	22 0.8661	26 1.024	0.3 0.01	JR17x22x26	0.031 0.068
	17 0.6693	22 0.8661	32 1.260	0.3 0.01	JR17x22x32	0.038 0.084
20 0.7874	20 0.7874	24 0.9449	16 0.630	0.3 0.01	JR20x24x16	0.018 0.040
	20 0.7874	24 0.9449	20 0.787	0.3 0.01	JR20x24x20	0.022 0.049
	20 0.7874	25 0.9843	16 0.630	0.3 0.01	JR20x25x16	0.022 0.049

<sup>(1)</sup> Call for O.D. tolerance

INNER RINGS  
METRIC SERIES



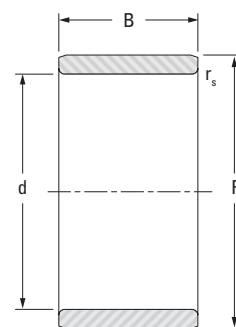
Shaft Dia.	d	F <sup>(1)</sup>	B	r <sub>s</sub> min	Inner Ring Designation	Wt.
mm in	mm in	mm in	mm in	mm in		kg lbs
20 0.7874	20 0.7874	25 0.9843	16 0.630	0.3 0.01	JR20x25x16JS1	0.022 0.049
	20 0.7874	25 0.9843	17 0.669	0.3 0.01	JR20x25x17	0.023 0.051
	20 0.7874	25 0.9843	18 0.709	0.3 0.01	JRZ20x25x18JS1	0.025 0.055
	20 0.7874	25 0.9843	20 0.787	0.3 0.01	JR20x25x20	0.028 0.062
	20 0.7874	25 0.9843	20.5 0.807	0.3 0.01	JR20x25x20,5	0.029 0.064
	20 0.7874	25 0.9843	26 1.024	0.3 0.01	JR20x25x26	0.036 0.079
	20 0.7874	25 0.9843	26.5 1.043	0.3 0.01	JR20x25x26,5	0.037 0.082
	20 0.7874	25 0.9843	30 1.181	0.3 0.01	JR20x25x30	0.042 0.093
	20 0.7874	25 0.9843	32 1.260	0.3 0.01	JR20x25x32	0.044 0.097
	20 0.7874	25 0.9843	38.5 1.516	0.3 0.01	JR20x25x38,5	0.054 0.119
22 0.8661	22 0.8661	26 1.0236	16 0.630	0.3 0.01	JR22x26x16	0.019 0.042
	22 0.8661	26 1.0236	20 0.787	0.3 0.01	JR22x26x20	0.023 0.051
	22 0.8661	28 1.1024	17 0.669	0.3 0.01	JR22x28x17	0.030 0.066
	22 0.8661	28 1.1024	20.5 0.807	0.3 0.01	JR22x28x20,5	0.038 0.084
	22 0.8661	28 1.1024	30 1.181	0.3 0.01	JR22x28x30	0.056 0.123
23 0.9055	23 0.9055	28 1.1024	20 0.787	0.35 0.014	IM 23 28 20 P	0.030 0.066
25 0.9843	25 0.9843	29 1.1417	20 0.787	0.3 0.01	JR25x29x20	0.027 0.060
	25 0.9843	29 1.1417	30 1.181	0.3 0.01	JR25x29x30	0.040 0.088
	25 0.9843	30 1.1811	16 0.630	0.3 0.01	JR25x30x16	0.027 0.060
	25 0.9843	30 1.1811	16 0.630	0.3 0.01	JR25x30x16JS1	0.027 0.060
	25 0.9843	30 1.1811	17 0.669	0.3 0.01	JR25x30x17	0.028 0.062
	25 0.9843	30 1.1811	18 0.709	0.3 0.01	JRZ25x30x18JS1	0.031 0.068
	25 0.9843	30 1.1811	20 0.787	0.3 0.01	JR25x30x20	0.034 0.075
	25 0.9843	30 1.1811	20.5 0.807	0.3 0.01	JR25x30x20,5	0.035 0.077

<sup>(1)</sup> Call for O.D. tolerance

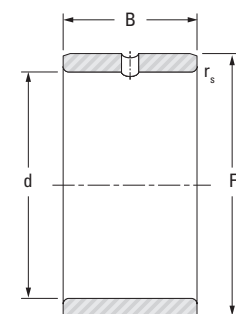
Continued on next page.



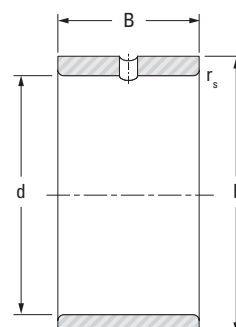
INNER RINGS  
METRIC SERIES



JR, IM..P



JR.JS1

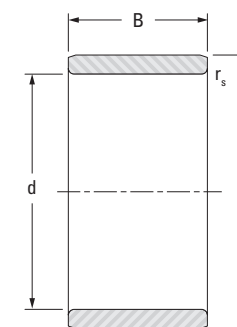


JRZ.JS1

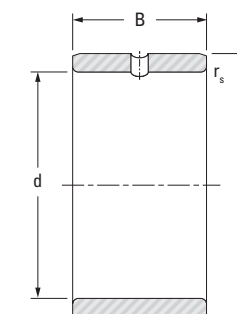
Shaft Dia.	d	F <sup>(1)</sup>	B	r <sub>s</sub> min	Inner Ring Designation	Wt.
mm in	mm in	mm in	mm in	mm in		kg lbs
25 0.9843	25 0.9843	30 1.1811	26 1.024	0.3 0.01	JR25x30x26	0.044 0.097
	25 0.9843	30 1.1811	26.5 1.043	0.3 0.01	JR25x30x26,5	0.045 0.099
	25 0.9843	30 1.1811	30 1.181	0.3 0.01	JR25x30x30	0.051 0.112
	25 0.9843	30 1.1811	32 1.260	0.3 0.01	JR25x30x32	0.054 0.119
	25 0.9843	30 1.1811	38.5 1.516	0.3 0.01	JR25x30x38,5	0.066 0.146
28 1.1024	28 1.1024	32 1.2598	17 0.669	0.3 0.01	JR28x32x17	0.028 0.062
	28 1.1024	32 1.2598	20 0.787	0.3 0.01	JR28x32x20	0.030 0.066
	28 1.1024	32 1.2598	30 1.181	0.3 0.01	JR28x32x30	0.044 0.097
30 1.1811	30 1.1811	35 1.3780	16 0.630	0.3 0.01	JR30x35x16	0.031 0.068
	30 1.1811	35 1.3780	17 0.669	0.3 0.01	JR30x35x17	0.033 0.073
	30 1.1811	35 1.3780	17 0.669	0.35 0.014	IM 4906	0.033 0.073
	30 1.1811	35 1.3780	18 0.709	0.3 0.01	JRZ30x35x18JS1	0.036 0.079
	30 1.1811	35 1.3780	20 0.787	0.3 0.01	JR30x35x20	0.039 0.086
	30 1.1811	35 1.3780	20 0.787	0.3 0.01	JRZ30x35x20JS1	0.039 0.086
	30 1.1811	35 1.3780	20.5 0.807	0.3 0.01	JR30x35x20,5	0.040 0.088
	30 1.1811	35 1.3780	26 1.024	0.3 0.01	JR30x35x26	0.054 0.119
	30 1.1811	35 1.3780	30 1.181	0.3 0.01	JR30x35x30	0.057 0.126
	30 1.1811	35 1.3780	32 1.260	0.3 0.01	JR30x35x32	0.062 0.137
	30 1.1811	38 1.4961	20 0.787	0.6 0.02	JR30x38x20JS1	0.067 0.148
32 1.2598	32 1.2598	37 1.4567	20 0.787	0.3 0.01	JR32x37x20	0.043 0.095
	32 1.2598	37 1.4567	30 1.181	0.3 0.01	JR32x37x30	0.064 0.141
	32 1.2598	40 1.5748	20 0.787	0.6 0.02	JR32x40x20	0.069 0.152
	32 1.2598	40 1.5748	36 1.417	0.6 0.02	JR32x40x36	0.128 0.282
35 1.3780	35 1.3780	40 1.5748	17 0.669	0.3 0.01	JR35x40x17	0.040 0.088

<sup>(1)</sup> Call for O.D. tolerance

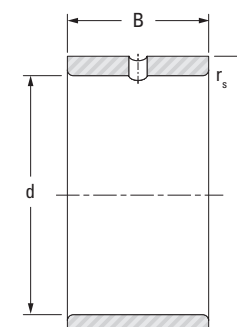
INNER RINGS  
METRIC SERIES



JR, IM..P



JR.JS1



JRZ.JS1

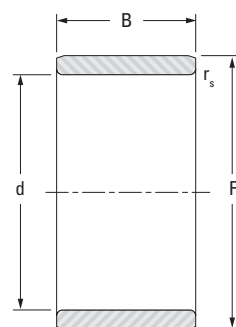
Shaft Dia.	d	F <sup>(1)</sup>	B	r <sub>s</sub> min	Inner Ring Designation	Wt.
mm in	mm in	mm in	mm in	mm in		kg lbs
35 1.3780	35 1.3780	40 1.5748	20 0.787	0.3 0.01	JR35x40x20	0.046 0.101
	35 1.3780	40 1.5748	20.5 0.807	0.3 0.01	JR35x40x20,5	0.049 0.108
	35 1.3780	40 1.5748	22 0.866	0.3 0.01	JR35x40x22	0.052 0.115
	35 1.3780	40 1.5748	30 1.181	0.3 0.01	JR35x40x30	0.071 0.157
	35 1.3780	40 1.5748	34 1.339	0.3 0.01	JR35x40x34	0.080 0.176
	35 1.3780	40 1.5748	40 1.575	0.3 0.01	JR35x40x40	0.094 0.207
	35 1.3780	42 1.6535	20 0.787	0.6 0.02	JR35x42x20	0.065 0.143
	35 1.3780	42 1.6535	20 0.787	0.6 0.02	JR35x42x20JS1	0.065 0.143
	35 1.3780	42 1.6535	23 0.906	0.6 0.02	JRZ35x42x23JS1	0.074 0.163
	35 1.3780	42 1.6535	36 1.417	0.6 0.02	JR35x42x36	0.122 0.269
	35 1.3780	44 1.7323	22 0.866	0.6 0.02	JR35x44x22	0.097 0.214
37 1.4567	37 1.4567	42 1.6535	20 0.787	0.35 0.014	IM 37 42 20 P	0.046 0.101
38 1.4961	38 1.4961	43 1.6929	20 0.787	0.3 0.01	JR38x43x20	0.050 0.110
	38 1.4961	43 1.6929	30 1.181	0.3 0.01	JR38x43x30	0.075 0.165
40 1.5748	40 1.5748	45 1.7717	17 0.669	0.3 0.01	JR40x45x17	0.044 0.097
	40 1.5748	45 1.7717	20 0.787	0.3 0.01	JR40x45x20	0.052 0.115
	40 1.5748	45 1.7717	20.5 0.807	0.3 0.01	JR40x45x20,5	0.054 0.119
	40 1.5748	45 1.7717	25 0.984	0.35 0.014	IM 40 45 25 P	0.062 0.137
	40 1.5748	45 1.7717	30 1.181	0.3 0.01	JR40x45x30	0.078 0.172
	40 1.5748	45 1.7717	34 1.339	0.3 0.01	JR40x45x34	0.089 0.196
	40 1.5748	45 1.7717	40 1.575	0.3 0.01	JR40x45x40	0.115 0.254
	40 1.5748	48 1.8898	22 0.866	0.6 0.02	JR40x48x22	0.094 0.207
	40 1.5748	48 1.8898	23 0.906	0.6 0.02	JRZ40x48x23JS1	0.100 0.220
	40 1.5748	48 1.8898	40 1.575	0.6 0.02	JR40x48x40	0.173 0.381

<sup>(1)</sup> Call for O.D. tolerance

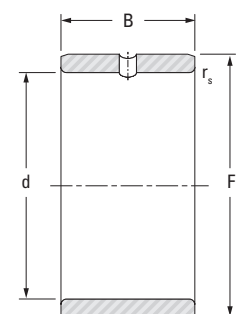
Continued on next page.



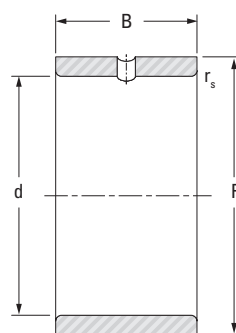
INNER RINGS  
METRIC SERIES



JR, IM..P



JR.JS1

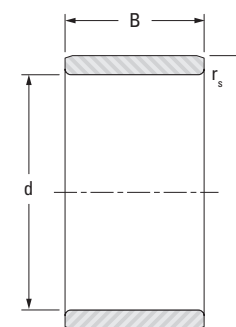


JRZ.JS1

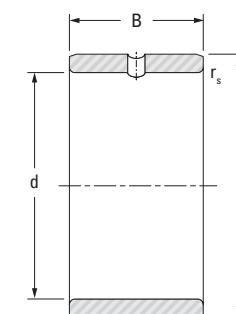
Shaft Dia.	d	F <sup>(1)</sup>	B	r <sub>s</sub> min	Inner Ring Designation	Wt.
mm in	mm in	mm in	mm in	mm in		kg lbs
40 1.5748	40 1.5748	50 1.9685	20 0.787	1 0.04	JR40x50x20	0.110 0.243
42 1.6535	42 1.6535	47 1.8504	20 0.787	0.3 0.01	JR42x47x20	0.055 0.121
	42 1.6535	47 1.8504	30 1.181	0.3 0.01	JR42x47x30	0.083 0.183
45 1.7717	45 1.7717	50 1.9685	20 0.787	0.3 0.01	JR45x50x20	0.058 0.128
	45 1.7717	50 1.9685	25 0.984	0.6 0.02	JR45x50x25	0.073 0.161
45 1.7717	45 1.7717	50 1.9685	25.5 1.004	0.3 0.01	JR45x50x25,5	0.075 0.165
	45 1.7717	50 1.9685	35 1.378	0.6 0.02	JR45x50x35	0.103 0.227
45 1.7717	45 1.7717	50 1.9685	40 1.575	0.3 0.01	JR45x50x40	0.117 0.258
	45 1.7717	52 2.0472	22 0.866	0.6 0.02	JR45x52x22	0.090 0.198
45 1.7717	45 1.7717	52 2.0472	22 0.866	0.85 0.033	IM 4909	0.087 0.192
	45 1.7717	52 2.0472	23 0.906	0.6 0.02	JR45x52x23	0.096 0.212
45 1.7717	45 1.7717	52 2.0472	23 0.906	0.6 0.02	JRZ45x52x23JS1	0.096 0.212
	45 1.7717	52 2.0472	40 1.575	0.6 0.02	JR45x52x40	0.167 0.368
45 1.7717	45 1.7717	55 2.1654	20 0.787	1 0.04	JR45x55x20	0.133 0.293
	45 1.7717	55 2.1654	20 0.787	1 0.04	JR45x55x20JS1	0.133 0.293
45 1.7717	45 1.7717	55 2.1654	22 0.866	1 0.04	JR45x55x22	0.135 0.298
	45 1.7717	55 2.1654	40 1.575	1 0.04	JR45x55x40	0.247 0.545
50 1.9685	50 1.9685	55 2.1654	20 0.787	0.3 0.01	JR50x55x20	0.065 0.143
	50 1.9685	55 2.1654	25 0.984	0.6 0.02	JR50x55x25	0.081 0.179
50 1.9685	50 1.9685	55 2.1654	35 1.378	0.65 0.026	IM 50 55 35 P	0.107 0.236
	50 1.9685	55 2.1654	35 1.378	0.6 0.02	JR50x55x35	0.113 0.249
50 1.9685	50 1.9685	55 2.1654	40 1.575	0.3 0.01	JR50x55x40	0.130 0.287
	50 1.9685	58 2.2835	22 0.866	0.6 0.02	JR50x58x22	0.117 0.258
50 1.9685	58 2.2835	23 0.906	0.6 0.02	JRZ50x58x23JS1	0.122 0.269	

<sup>(1)</sup> Call for O.D. tolerance

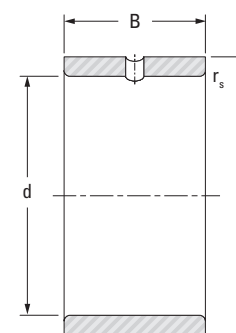
INNER RINGS  
METRIC SERIES



JR, IM..P



JR.JS1



JRZ.JS1

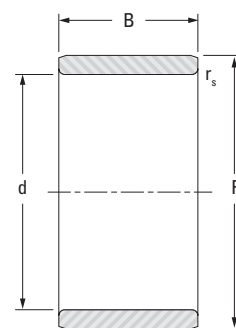
Shaft Dia.	d	F <sup>(1)</sup>	B	r <sub>s</sub> min	Inner Ring Designation	Wt.
mm in	mm in	mm in	mm in	mm in		kg lbs
50 1.9685	50 1.9685	58 2.2835	40 1.575	0.6 0.02	JR50x58x40	0.213 0.470
50 1.9685	50 1.9685	60 2.3622	20 0.787	1 0.04	JR50x60x20	0.155 0.342
	50 1.9685	60 2.3622	20 0.787	1 0.04	JR50x60x20JS1	0.155 0.342
50 1.9685	50 1.9685	60 2.3622	25 0.984	1 0.04	JR50x60x25	0.170 0.375
	50 1.9685	60 2.3622	40 1.575	1 0.04	JR50x60x40	0.310 0.683
55 2.1654	55 2.1654	60 2.3622	25 0.984	0.6 0.02	JR55x60x25	0.088 0.194
	55 2.1654	60 2.3622	35 1.378	0.65 0.026	IM 55 60 35 P	0.118 0.260
55 2.1654	55 2.1654	60 2.3622	35 1.378	0.6 0.02	JR55x60x35	0.124 0.273
	55 2.1654	63 2.4803	25 0.984	1 0.04	JR55x63x25	0.141 0.311
55 2.1654	55 2.1654	63 2.4803	45 1.772	1 0.04	JR55x63x45	0.286 0.631
	55 2.1654	65 2.5591	30 1.181	1 0.04	JR55x65x30	0.222 0.489
55 2.1654	55 2.1654	65 2.5591	60 2.362	1 0.04	JR55x65x60	0.444 0.979
	58 2.2835	58 2.2835	65 2.5591	25 0.984	0.85 0.033	IM 58 65 25 P
60 2.3622	60 2.3622	68 2.6772	25 0.984	0.6 0.02	JR60x68x25	0.153 0.337
	60 2.3622	68 2.6772	35 1.378	0.6 0.02	JR60x68x35	0.220 0.485
60 2.3622	60 2.3622	68 2.6772	45 1.772	1 0.04	JR60x68x45	0.284 0.626
	60 2.3622	70 2.7559	25 0.984	1 0.04	JR60x70x25	0.200 0.441
60 2.3622	60 2.3622	70 2.7559	30 1.181	1 0.04	JR60x70x30	0.240 0.529
	60 2.3622	70 2.7559	35 1.378	0.85 0.033	IM 60 70 35 P	0.280 0.616
60 2.3622	60 2.3622	70 2.7559	60 2.362	1 0.04	JR60x70x60	0.480 1.058
	65 2.5591	65 2.5591	72 2.8346	25 0.984	1 0.04	JR65x72x25
65 2.5591	65 2.5591	72 2.8346	45 1.772	1 0.04	JR65x72x45	0.266 0.586
	65 2.5591	65 2.5591	73 2.8740	25 0.984	0.6 0.02	JR65x73x25
65 2.5591	65 2.5591	73 2.8740	35 1.378	0.6 0.02	JR65x73x35	0.240 0.529

<sup>(1)</sup> Call for O.D. tolerance

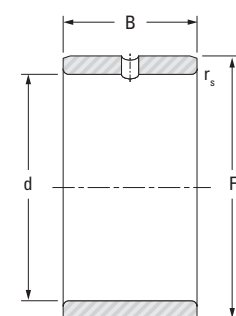
Continued on next page.



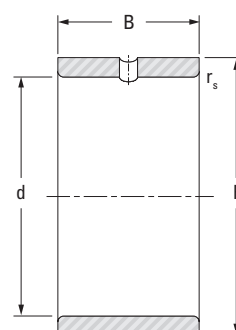
INNER RINGS  
METRIC SERIES



JR, IM..P



JR.JS1

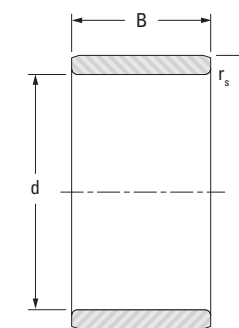


JRZ.JS1

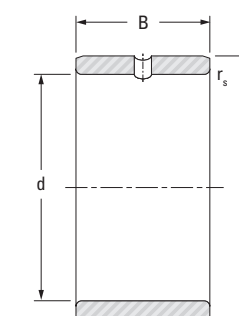
Shaft Dia.	d	F <sup>(1)</sup>	B	r <sub>s</sub> min	Inner Ring Designation	Wt.
mm in	mm in	mm in	mm in	mm in		kg lbs
65 2.5591	65 2.5591	75 2.9528	28 1.102	1 0.04	JR65x75x28	0.240 0.529
	65 2.5591	75 2.9528	30 1.181	1 0.04	JR65x75x30	0.260 0.573
	65 2.5591	75 2.9528	60 2.362	1 0.04	JR65x75x60	0.520 1.146
70 2.7559	70 2.7559	80 3.1496	25 0.984	1 0.04	JR70x80x25	0.230 0.507
	70 2.7559	80 3.1496	30 1.181	1 0.04	JR70x80x30	0.270 0.595
	70 2.7559	80 3.1496	35 1.378	1 0.04	JR70x80x35	0.320 0.705
	70 2.7559	80 3.1496	54 2.126	1 0.04	JR70x80x54	0.500 1.102
	70 2.7559	80 3.1496	60 2.362	1 0.04	JR70x80x60	0.556 1.226
75 2.9528	75 2.9528	85 3.3465	25 0.984	1 0.04	JR75x85x25	0.240 0.529
	75 2.9528	85 3.3465	30 1.181	1 0.04	JR75x85x30	0.289 0.637
	75 2.9528	85 3.3465	35 1.378	1 0.04	JR75x85x35	0.338 0.745
	75 2.9528	85 3.3465	54 2.126	1 0.04	JR75x85x54	0.530 1.168
80 3.1496	80 3.1496	90 3.5433	25 0.984	1 0.04	JR80x90x25	0.260 0.573
	80 3.1496	90 3.5433	30 1.181	1 0.04	JR80x90x30	0.306 0.675
	80 3.1496	90 3.5433	35 1.378	1 0.04	JR80x90x35	0.355 0.783
	80 3.1496	90 3.5433	54 2.126	1 0.04	JR80x90x54	0.565 1.246
85 3.3465	85 3.3465	95 3.7402	26 1.024	1 0.04	JR85x95x26	0.290 0.639
	85 3.3465	95 3.7402	30 1.181	1 0.04	JR85x95x30	0.334 0.736
	85 3.3465	95 3.7402	36 1.417	1 0.04	JR85x95x36	0.397 0.875
	85 3.3465	100 3.9370	35 1.378	1.1 0.04	JR85x100x35	0.595 1.312
	85 3.3465	100 3.9370	63 2.480	1.1 0.04	JR85x100x63	1.080 2.381
90 3.5433	90 3.5433	100 3.9370	26 1.024	1 0.04	JR90x100x26	0.300 0.661
	90 3.5433	100 3.9370	30 1.181	1 0.04	JR90x100x30	0.350 0.772
	90 3.5433	100 3.9370	36 1.417	1 0.04	JR90x100x36	0.422 0.930

<sup>(1)</sup> Call for O.D. tolerance

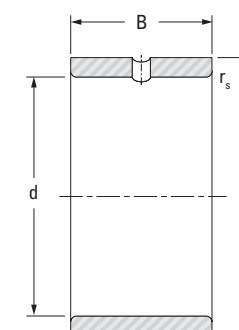
INNER RINGS  
METRIC SERIES



JR, IM..P



JR.JS1



JRZ.JS1

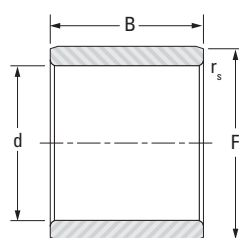
Shaft Dia.	d	F <sup>(1)</sup>	B	r <sub>s</sub> min	Inner Ring Designation	Wt.
mm in	mm in	mm in	mm in	mm in		kg lbs
90 3.5433	90 3.5433	105 4.1339	32 1.260	1.1 0.04	JR90x105x32	0.580 1.279
	90 3.5433	105 4.1339	35 1.378	1.1 0.04	JR90x105x35	0.624 1.376
	90 3.5433	105 4.1339	63 2.480	1.1 0.04	JR90x105x63	1.140 2.513
95 3.7402	95 3.7402	105 4.1339	26 1.024	1 0.04	JR95x105x26	0.310 0.683
	95 3.7402	105 4.1339	36 1.417	1 0.04	JR95x105x36	0.430 0.948
	95 3.7402	110 4.3307	35 1.378	1.1 0.04	JR95x110x35	0.653 1.440
	95 3.7402	110 4.3307	63 2.480	1.1 0.04	JR95x110x63	1.200 2.646
100 3.9370	100 3.9370	110 4.3307	30 1.181	1.1 0.04	JR100x110x30	0.384 0.847
	100 3.9370	110 4.3307	40 1.575	1.1 0.04	JR100x110x40	0.510 1.124
	100 3.9370	115 4.5276	40 1.575	1.1 0.04	JR100x115x40	0.790 1.742
110 4.3307	110 4.3307	120 4.7244	30 1.181	1 0.04	JR110x120x30	0.425 0.937
	110 4.3307	125 4.9213	40 1.575	1.1 0.04	JR110x125x40	0.870 1.918
120 4.7244	120 4.7244	130 5.1181	30 1.181	1 0.04	JR120x130x30	0.460 1.014
	120 4.7244	135 5.3150	45 1.772	1.1 0.04	JR120x135x45	1.060 2.337
130 5.1181	130 5.1181	145 5.7087	35 1.378	1.1 0.04	JR130x145x35	0.890 1.962
	130 5.1181	150 5.9055	50 1.969	1.5 0.06	JR130x150x50	1.730 3.814
140 5.5118	140 5.5118	155 6.1024	35 1.378	1.1 0.04	JR140x155x35	0.955 2.105
	140 5.5118	160 6.2992	50 1.969	1.5 0.06	JR140x160x50	1.860 4.101
150 5.9055	150 5.9055	165 6.4961	40 1.575	1.1 0.04	JR150x165x40	1.170 2.579
160 6.2992	160 6.2992	175 6.8898	40 1.575	1.1 0.04	JR160x175x40	1.240 2.734
170 6.6929	170 6.6929	185 7.2835	45 1.772	1.1 0.04	JR170x185x45	1.480 3.263
180 7.0866	180 7.0866	195 7.6772	45 1.772	1.1 0.04	JR180x195x45	1.560 3.439

<sup>(1)</sup> Call for O.D. tolerance

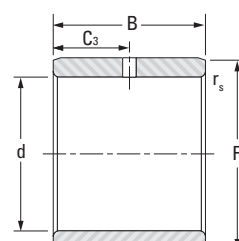


INNER RINGS FOR FULL COMPLEMENT DRAWN CUP NEEDLE ROLLER BEARINGS

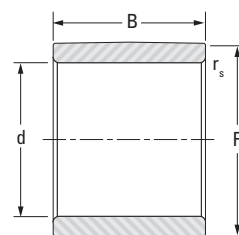
METRIC SERIES



IM



IMC



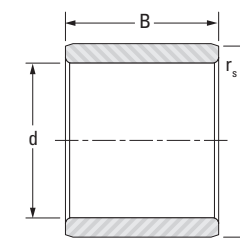
IM...R6

Shaft Dia. mm in	d mm in	F <sup>(1)</sup> mm in	B mm in	Hole Location C <sub>3</sub> mm in	r <sub>s</sub> min mm in	Inner Ring Designation	Wt. kg lbs
8 0.3150	8 0.3150	12 0.4724	12.4 0.488		0.3 0.01	IM 8 12 12,4	0.006 0.013
9 0.3543	9 0.3543	13 0.5118	12.4 0.488		0.3 0.01	IM 9 13 12,4	0.006 0.013
	9 0.3543	13 0.5118	12.4 0.488		0.3 0.01	IM 9 13 12,4 R6	0.006 0.013
10 0.3937	10 0.3937	14 0.5512	12.4 0.488		0.3 0.01	IM 10 14 12,4	0.007 0.015
	10 0.3937	14 0.5512	16.4 0.646		0.3 0.01	IM 10 14 16,4	0.009 0.020
11 0.4331	11 0.4331	15 0.5906	12.4 0.488		0.3 0.01	IM 11 15 12,4	0.008 0.018
12 0.4724	12 0.4724	15 0.5906	12.4 0.488		0.2 0.01	IM 12 15 12,4	0.006 0.013
	12 0.4724	16 0.6299	12.4 0.488		0.2 0.01	IM 12 16 12,4	0.008 0.018
	12 0.4724	16 0.6299	12.4 0.488		0.3 0.01	IM 12 16 12,4 R6	0.008 0.018
	12 0.4724	16 0.6299	12.4 0.488	6.2 0.24	0.3 0.01	IMC 12 16 12,4	0.008 0.018
13 0.5118	13 0.5118	17 0.6693	12.4 0.488		0.3 0.01	IM 13 17 12,4	0.009 0.020
	13 0.5118	18 0.7087	12.4 0.488		0.35 0.014	IM 13 18 12,4	0.011 0.025
	13 0.5118	18 0.7087	12.4 0.488		0.35 0.014	IM 13 18 12,4 R6	0.011 0.025
	13 0.5118	18 0.7087	16.4 0.646		0.35 0.014	IM 13 18 16,4	0.015 0.033
15 0.5906	15 0.5906	20 0.7874	12.4 0.488		0.35 0.014	IM 15 20 12,4	0.013 0.028
	15 0.5906	20 0.7874	16.4 0.646		0.35 0.014	IM 15 20 16,4	0.017 0.037
	17 0.6693	22 0.8661	16.4 0.646		0.35 0.014	IM 17 22 16,4	0.019 0.041
	17 0.6693	22 0.8661	16.4 0.646		0.35 0.014	IM 17 22 16,4 R6	0.019 0.041
17 0.6693	17 0.6693	22 0.8661	16.4 0.646	8.2 0.32	0.35 0.014	IMC 17 22 16,4	0.019 0.041
20 0.7874	20 0.7874	25 0.9843	16.4 0.646		0.35 0.014	IM 20 25 16,4	0.022 0.047
	20 0.7874	25 0.9843	16.4 0.646		0.35 0.014	IM 20 25 16,4 R6	0.022 0.047
	20 0.7874	25 0.9843	16.4 0.646	8.2 0.32	0.35 0.014	IMC 20 25 16,4	0.022 0.047
	20 0.7874	25 0.9843	20.4 0.803		0.35 0.014	IM 20 25 20,4	0.027 0.060

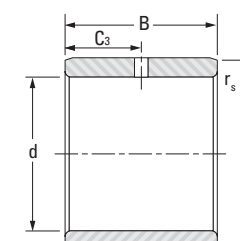
<sup>(1)</sup> Call for O.D. tolerance

INNER RINGS FOR FULL COMPLEMENT DRAWN CUP NEEDLE ROLLER BEARINGS

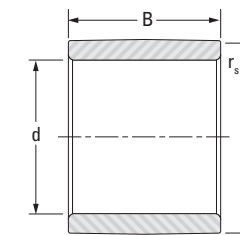
METRIC SERIES



IM



IMC



IM...R6

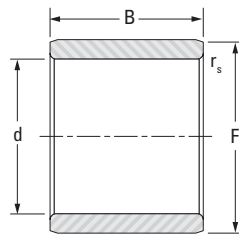
Shaft Dia. mm in	d mm in	F <sup>(1)</sup> mm in	B mm in	Hole Location C <sub>3</sub> mm in	r <sub>s</sub> min mm in	Inner Ring Designation	Wt. kg lbs
20 0.7874	20 0.7874	25 0.9843	20.4 0.803	10.2 0.40	0.35 0.014	IMC 20 25 20,4	0.027 0.060
	20 0.7874	25 0.9843	25.0 0.984		0.35 0.014	IM 20 25 25	0.033 0.073
23 0.9055	23 0.9055	28 1.1024	20.4 0.803		0.35 0.014	IM 23 28 20,4	0.031 0.067
25 0.9843	25 0.9843	30 1.1811	16.4 0.646		0.35 0.014	IM 25 30 16,4	0.027 0.060
	25 0.9843	30 1.1811	16.4 0.646		0.35 0.014	IM 25 30 16,4 R6	0.027 0.060
	25 0.9843	30 1.1811	16.4 0.646	8.2 0.32	0.35 0.014	IMC 25 30 16,4	0.027 0.058
	25 0.9843	30 1.1811	20.4 0.803		0.35 0.014	IM 25 30 20,4	0.033 0.073
	25 0.9843	30 1.1811	20.4 0.803	10.2 0.40	0.35 0.014	IMC 25 30 20,4	0.033 0.073
	25 0.9843	30 1.1811	25 0.984		0.35 0.014	IM 25 30 25	0.040 0.088
30 1.1811	30 1.1811	35 1.3780	16.4 0.646		0.35 0.014	IM 30 35 16,4	0.031 0.068
	30 1.1811	35 1.3780	16.4 0.646		0.35 0.014	IM 30 35 16,4 R6	0.031 0.068
	30 1.1811	35 1.3780	16.4 0.646	8.2 0.32	0.35 0.014	IMC 30 35 16,4	0.031 0.068
	30 1.1811	35 1.3780	20.4 0.803		0.35 0.014	IM 30 35 20,4	0.039 0.086
	30 1.1811	35 1.3780	20.4 0.803		0.35 0.014	IM 30 35 20,4 R6	0.039 0.086
	30 1.1811	35 1.3780	20.4 0.803	10.2 0.40	0.35 0.014	IMC 30 35 20,4	0.039 0.086
	30 1.1811	35 1.3780	25.0 0.984		0.35 0.014	IM 30 35 25	0.048 0.106
35 1.3780	35 1.3780	40 1.5748	16.4 0.646		0.35 0.014	IM 35 40 16,4	0.036 0.079
	35 1.3780	40 1.5748	16.4 0.646		0.35 0.014	IM 35 40 16,4 R6	0.036 0.079
	35 1.3780	40 1.5748	20.4 0.803		0.35 0.014	IM 35 40 20,4	0.045 0.099
	35 1.3780	40 1.5748	20.4 0.803		0.35 0.014	IM 35 40 20,4 R6	0.045 0.099
	35 1.3780	40 1.5748	20.4 0.803	10.2 0.40	0.35 0.014	IMC 35 40 20,4	0.045 0.099
	35 1.3780	40 1.5748	25 0.984		0.35 0.014	IM 35 40 25	0.055 0.121
40 1.5748	40 1.5748	44 1.7323	16.4 0.646		0.3 0.01	IM 40 44 16,4	0.032 0.071

<sup>(1)</sup> Call for O.D. tolerance

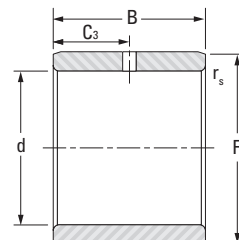
Continued on next page.



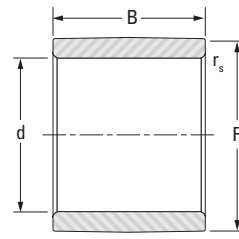
**INNER RINGS FOR FULL COMPLEMENT DRAWN CUP NEEDLE ROLLER BEARINGS**  
METRIC SERIES



IM



IMC

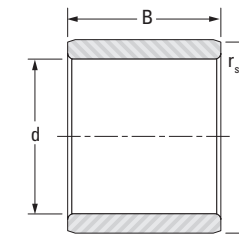


IM...R6

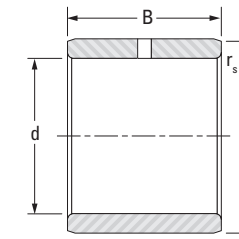
<sup>(1)</sup> Call for O.D. tolerance

Shaft Dia.	d	F <sup>(1)</sup>	B	Hole Location C <sub>3</sub>	r <sub>s</sub> min	Inner Ring Designation	Wt.
mm in	mm in	mm in	mm in	mm in	mm in		kg lbs
40 1.5748	40 1.5748	44 1.7323	16.4 0.646		0.3 0.01	IM 40 44 16,4 R6	0.032 0.071
	40 1.5748	44 1.7323	16.4 0.646	8.2 0.32	0.3 0.01	IMC 40 44 16,4	0.032 0.071
	40 1.5748	45 1.7717	20.4 0.803		0.35 0.014	IM 40 45 20,4	0.051 0.112
	40 1.5748	44 1.7323	20.4 0.803	10.2 0.40	0.35 0.014	IMC 40 45 20,4	0.051 0.112
45 1.7717	45 1.7717	50 1.9685	20.4 0.803		0.65 0.026	IM 45 50 20,4	0.056 0.123
	45 1.7717	50 1.9685	20.4 0.803		0.65 0.026	IM 45 50 20,4 R6	0.056 0.123
	45 1.7717	50 1.9685	25 0.984		0.65 0.026	IM 45 50 25	0.069 0.152
	45 1.7717	60 2.3622	25 0.984		0.65 0.026	IM 45 50 25 R6	0.069 0.152
50 1.9685	50 1.9685	55 2.1654	20.4 0.803		0.65 0.026	IM 50 55 20,4 R6	0.062 0.137
	50 1.9685	55 2.1654	20.4 0.803		0.65 0.026	IM 50 55 20,4	0.062 0.137

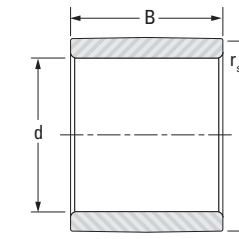
**INNER RINGS FOR MACHINE-TOOL QUALITY PRECISION-COMBINED BEARINGS**  
METRIC SERIES



IM



IMC



IM...R6

Shaft Dia.	d	F <sup>(1)</sup>	B	r <sub>s</sub> min	Inner Ring Designation	Wt.
mm in	mm in	mm in	mm in	mm in		kg lbs
17 0.6693	17 0.6693	20 0.7874	27.5 1.083	0.2 0.01	IM 19017	0.019 0.042
	17 0.6693	20 0.7874	32 1.240	0.2 0.01	IM 20617	0.021 0.046
	17 0.6693	22 0.8665	13 0.512	0.35 0.014	IM 4903	0.015 0.033
20 0.7874	20 0.7874	25 0.9843	27.5 1.083	0.35 0.014	IM 19020	0.038 0.084
	20 0.7874	25 0.9843	32 1.240	0.35 0.014	IM 20620	0.044 0.097
25 0.9843	25 0.9843	30 1.1811	27.5 1.083	0.35 0.014	IM 19025	0.042 0.093
	25 0.9843	30 1.1811	32 1.240	0.35 0.014	IM 20625	0.052 0.115
30 1.1811	30 1.1811	35 1.3780	17 0.669	0.35 0.014	IM 4906	0.033 0.072
	30 1.1811	35 1.3780	27.5 1.083	0.35 0.014	IM 19030	0.053 0.117
	30 1.1811	35 1.3780	32 1.240	0.35 0.014	IM 20630	0.061 0.134
35 1.3780	35 1.3780	40 1.5748	27.5 1.083	0.35 0.014	IM 19035	0.063 0.139
	35 1.3780	40 1.5748	32 1.240	0.35 0.014	IM 20635	0.072 0.159
40 1.5748	40 1.5748	45 1.7717	27.5 1.083	0.35 0.014	IM 19040	0.069 0.152
	40 1.5748	45 1.7717	32 1.240	0.35 0.014	IM 20640	0.080 0.176
45 1.7717	45 1.7717	50 1.9685	30.5 1.201	0.65 0.026	IM 19045	0.085 0.187
	45 1.7717	50 1.9685	35 1.358	0.65 0.026	IM 20645	0.096 0.212
	45 1.7717	52 2.0476	22 0.866	0.85 0.033	IM 4909	0.087 0.192

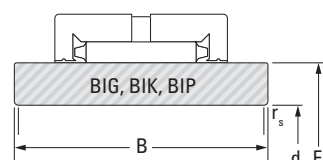
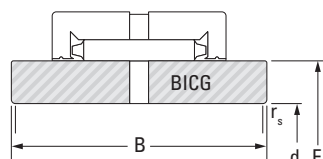
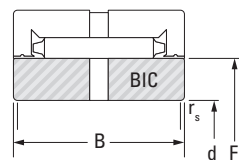
<sup>(1)</sup> Call for O.D. tolerance





**INNER RINGS WITH OIL HOLES/EXTRA WIDE, RNA BEARINGS**

**METRIC SERIES**

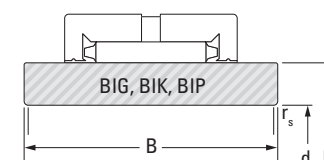
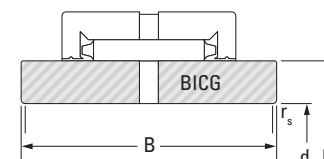
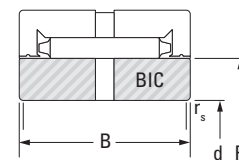


Shaft Dia.	d	F <sup>(1)</sup>	B	r <sub>s</sub> min	Inner Ring Designation	Wt.
mm in	mm in	mm in	mm in	mm in		kg lbs
12 0.4724	12 0.4724	17.6 0.6929	15 0.591	0.35 0.014	BIC 1012	0.016 0.035
	12 0.4724	17.6 0.6929	20 0.787	0.35 0.014	BIP 1012	0.020 0.044
15 0.5906	15 0.5906	20.8 0.8189	15 0.591	0.65 0.026	BIC 1015	0.018 0.040
	15 0.5906	22.1 0.8701	22 0.866	0.65 0.026	BIC 2015	0.035 0.077
17 0.6693	17 0.6693	23.9 0.9409	15 0.591	0.65 0.026	BIC 1017	0.026 0.057
	20 0.7874	28.7 1.1299	18 0.709	0.65 0.026	BIC 1020	0.046 0.101
	20 0.7874	28.7 1.1299	22 0.866	0.65 0.026	BIC 2020	0.056 0.123
	20 0.7874	28.7 1.1299	22 0.866	0.65 0.026	BIP 1020	0.056 0.123
25 0.9843	25 0.9843	33.5 1.3189	18 0.709	0.65 0.026	BIC 1025	0.054 0.119
	25 0.9843	33.5 1.3189	22 0.866	0.65 0.026	BIC 2025	0.065 0.143
	25 0.9843	33.5 1.3189	30 1.181	0.65 0.026	BIC 22025	0.500 1.102
	25 0.9843	33.5 1.3189	32 1.260	0.65 0.026	BIG 2025	0.095 0.209
	25 0.9843	33.5 1.3189	42 1.654	0.65 0.026	BIK 2025	0.125 0.276
30 1.1811	30 1.1811	38.2 1.5039	18 0.709	0.65 0.026	BIC 1030	0.060 0.132
	30 1.1811	38.2 1.5039	22 0.866	0.65 0.026	BIC 2030	0.074 0.163
	30 1.1811	44.0 1.7323	30 1.181	0.65 0.026	BIC 3030	0.188 0.414
	30 1.1811	38.2 1.5039	32 1.260	0.65 0.026	BIG 2030	0.108 0.238
	30 1.1811	44.0 1.7323	40 1.575	0.65 0.026	BIG 3030	0.247 0.545
35 1.3780	35 1.3780	44.0 1.7323	18 0.709	0.65 0.026	BIC 1035	0.077 0.170
	35 1.3780	44.0 1.7323	22 0.866	0.65 0.026	BIC 2035	0.093 0.205
	35 1.3780	44.0 1.7323	32 1.260	0.65 0.026	BIG 2035	0.135 0.298
40 1.5748	40 1.5748	49.7 1.9567	18 0.709	0.85 0.033	BIC 1040	0.094 0.207
	40 1.5748	49.7 1.9567	22 0.866	0.85 0.033	BIC 2040	0.115 0.254
	40 1.5748	55.4 2.1811	36 1.417	0.85 0.033	BIC 3040	0.321 0.708

<sup>(1)</sup> Call for O.D. tolerance

**INNER RINGS WITH OIL HOLES/EXTRA WIDE, RNA BEARINGS**

**METRIC SERIES**



Shaft Dia.	d	F <sup>(1)</sup>	B	r <sub>s</sub> min	Inner Ring Designation	Wt.
mm in	mm in	mm in	mm in	mm in		kg lbs
	40 1.5748	49.7 1.9567	32 1.260	0.85 0.033	BIG 2040	0.170 0.375
	40 1.5748	49.7 1.9567	22 0.866	0.85 0.033	BIP 1040	0.115 0.254
45 1.7717	45 1.7717	55.4 2.1811	18 0.709	0.85 0.033	BIC 1045	0.113 0.249
	45 1.7717	55.4 2.1811	22 0.866	0.85 0.033	BIC 2045	0.139 0.306
	45 1.7717	62.1 2.4449	38 1.496	0.85 0.033	BIC 3045	0.422 0.930
	45 1.7717	55.4 2.1811	32 1.260	0.85 0.033	BIG 2045	0.210 0.463
50 1.9685	50 1.9685	62.1 2.4449	20 0.787	0.85 0.033	BIC 1050	0.163 0.359
	50 1.9685	62.1 2.4449	24 0.945	0.85 0.033	BIC 11050	0.196 0.432
	50 1.9685	62.1 2.4449	28 1.102	0.85 0.033	BIC 2050	0.228 0.503
	50 1.9685	68.8 2.7087	38 1.496	0.85 0.033	BIC 3050	0.515 1.135
	50 1.9685	62.1 2.4449	38 1.496	0.85 0.033	BIG 2050	0.312 0.688
	50 1.9685	62.1 2.4449	28 1.102	0.85 0.033	BIP 1050	0.228 0.503
55 2.1654	55 2.1654	68.8 2.7087	20 0.787	0.85 0.033	BIC 1055	0.205 0.452
	55 2.1654	72.6 2.8583	38 1.496	0.85 0.033	BIC 3055	0.525 1.157
	55 2.1654	72.6 2.8583	48 1.890	0.85 0.033	BICG 3055	0.660 1.455
	55 2.1654	68.8 2.7087	38 1.496	0.85 0.033	BIG 2055	0.390 0.860
	55 2.1654	68.8 2.7087	28 1.102	0.85 0.033	BIP 1055	0.288 0.635
60 2.3622	60 2.3622	72.6 2.8583	28 1.102	0.85 0.033	BIC 2060	0.282 0.622
	60 2.3622	78.3 3.0827	38 1.496	0.85 0.033	BIC 3060	0.583 1.285
	60 2.3622	72.6 2.8583	38 1.496	0.85 0.033	BICG 2060	0.385 0.849
	60 2.3622	72.6 2.8583	38 1.496	0.85 0.033	BIG 2060	0.385 0.849
65 2.5591	65 2.5591	83.1 3.2717	38 1.496	0.85 0.033	BIC 3065	0.623 1.373
	65 2.5591	78.3 3.0827	38 1.496	0.85 0.033	BIG 2065	0.437 0.963
70 2.7559	70 2.7559	88.0 3.4646	38 1.496	0.85 0.033	BIC 3070	0.662 1.459

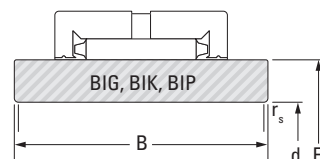
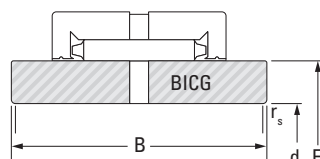
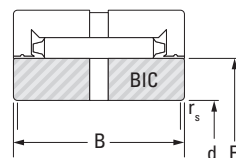
<sup>(1)</sup> Call for O.D. tolerance

Continued on next page.



INNER RINGS WITH OIL HOLES/EXTRA WIDE, RNA BEARINGS

METRIC SERIES

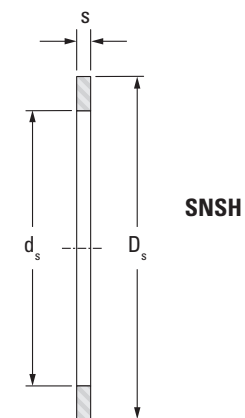


Shaft Dia.	d	F <sup>(1)</sup>	B	r <sub>s</sub> min	Inner Ring Designation	Wt.
mm in	mm in	mm in	mm in	mm in		kg lbs
70 2.7559	70 2.7559	88.0 3.4646	48 1.890	0.85 0.033	BIG 3070	0.820 1.808
	70 2.7559	88.0 3.4646	58 2.283	0.85 0.033	BIK 3070	1.010 2.227
75 2.9528	75 2.9528	88.0 3.4646	32 1.260	0.85 0.033	BIC 2075	0.410 0.904
	75 2.9528	88.0 3.4646	42 1.654	0.85 0.033	BIG 2075	0.538 1.186
	75 2.9528	96.0 3.7795	58 2.283	0.85 0.033	BIK 3075	1.260 2.778
80 3.1496	80 3.1496	96.0 3.7795	24 0.945	0.85 0.033	BIC 1080	0.410 0.904
	80 3.1496	96.0 3.7795	32 1.260	0.85 0.033	BIC 2080	0.545 1.202
	80 3.1496	99.5 3.9173	38 1.496	0.85 0.033	BIC 3080	0.805 1.775
	80 3.1496	96.0 3.7795	42 1.654	0.85 0.033	BIG 2080	0.714 1.574
90 3.5433	90 3.5433	104.7 4.1220	32 1.260	1.35 0.053	BIC 2090	0.531 1.171
	90 3.5433	109.1 4.2953	43 1.693	1.35 0.053	BIC 3090	0.990 2.183
	90 3.5433	109.1 4.2953	53 2.087	1.35 0.053	BIG 3090	1.220 2.690
	90 3.5433	109.1 4.2953	63 2.480	1.35 0.053	BIK 3090	1.480 3.263
95 3.7402	95 3.7402	109.1 4.2953	32 1.260	1.35 0.053	BIC 2095	0.548 1.208
	95 3.7402	114.7 4.5157	43 1.693	1.35 0.053	BIC 3095	1.075 2.370
	95 3.7402	114.7 4.5157	63 2.480	1.35 0.053	BIK 3095	1.585 3.494
100 3.9370	100 3.9370	119.2 4.6929	43 1.693	1.35 0.053	BIC 3100	1.090 2.403
	100 3.9370	114.7 4.5157	42 1.654	1.35 0.053	BIG 2100	0.800 1.764
105 4.1339	105 4.1339	119.2 4.6929	32 1.260	1.35 0.053	BIC 2105	0.615 1.356
	105 4.1339	124.7 4.9094	55 2.165	1.35 0.053	BIG 3105	1.505 3.318
110 4.3307	110 4.3307	124.7 4.9094	34 1.339	1.35 0.053	BIC 2110	0.705 1.554
	110 4.3307	124.7 4.9094	44 1.732	1.35 0.053	BIG 2110	0.920 2.028
125 4.9213	125 4.9213	142.5 5.6102	44 1.732	1.35 0.053	BICG 2125	1.340 2.954
	125 4.9213	142.5 5.6102	44 1.732	1.35 0.053	BIG 2125	1.325 2.921
130 5.1181	130 5.1181	158.0 6.2205	52 2.047	1.35 0.053	BIC 3130	2.530 5.578

<sup>(1)</sup> Call for O.D. tolerance

END WASHERS

METRIC SERIES



d <sub>s</sub>	D <sub>s</sub>	S	End Washer Designation	Wt.
mm in	mm in	mm in		kg lbs
8.0 0.315	18 0.709	2.0 0.079	SNSH8X18X2	0.003 0.007
8.5 0.335	15 0.591	0.5 0.020	SNSH8,5X15X0,5	0.0005 0.001
10.5 0.413	17 0.669	0.5 0.020	SNSH10,5X17X0,5	0.0006 0.001
10.5 0.413	20 0.787	0.5 0.020	SNSH10,5X20X0,5	0.0009 0.002
12.5 0.492	19 0.748	0.5 0.020	SNSH12,5X19X0,5	0.0006 0.001
12.5 0.492	22 0.866	0.5 0.020	SNSH12,5X22X0,5	0.0010 0.002
14.5 0.571	22 0.866	0.5 0.020	SNSH14,5X22X0,5	0.0008 0.002
14.5 0.571	26 1.024	0.5 0.020	SNSH14,5X26X0,5	0.0014 0.003
15.5 0.610	23 0.906	0.5 0.020	SNSH15,5X23X0,5	0.0009 0.002
16.5 0.650	24 0.945	0.5 0.020	SNSH16,5X24X0,5	0.0009 0.002
16.5 0.650	28 1.102	0.5 0.020	SNSH16,5X28X0,5	0.0016 0.004
17.5 0.689	25 0.984	0.5 0.020	SNSH17,5X25X0,5	0.001 0.002
18.5 0.728	26 1.024	0.5 0.020	SNSH18,5X26X0,5	0.001 0.002
18.5 0.728	30 1.181	0.5 0.020	SNSH18,5X30X0,5	0.002 0.004
20.5 0.807	28 1.102	0.5 0.020	SNSH20,5X28X0,5	0.001 0.002
20.5 0.807	32 1.260	0.5 0.020	SNSH20,5X32X0,5	0.002 0.004

d <sub>s</sub>	D <sub>s</sub>	S	End Washer Designation	Wt.
mm in	mm in	mm in		kg lbs
22.5 0.886	30 1.181	0.5 0.020	SNSH22,5X30X0,5	0.001 0.003
22.5 0.886	35 1.378	0.5 0.020	SNSH22,5X35X0,5	0.002 0.005
25.5 1.004	35 1.378	0.5 0.020	SNSH25,5X35X0,5	0.002 0.004
25.5 1.004	37 1.457	0.5 0.020	SNSH25,5X37X0,5	0.002 0.005
28.5 1.122	40 1.575	0.5 0.020	SNSH28,5X40X0,5	0.002 0.005
30.5 1.201	40 1.575	0.5 0.020	SNSH30,5X40X0,5	0.002 0.005
35.5 1.398	47 1.850	0.5 0.020	SNSH35,5X47X0,5	0.003 0.006
40.5 1.594	50 1.969	0.5 0.020	SNSH40,5X50X0,5	0.003 0.006
41.0 1.614	55 2.165	1.0 0.039	SNSH41X55X1	0.008 0.018
45.5 1.791	55 2.165	0.5 0.020	SNSH45,5X55X0,5	0.003 0.007
46.0 1.811	62 2.441	1.0 0.039	SNSH46X62X1	0.011 0.024
51.0 2.008	65 2.559	1.0 0.039	SNSH51X65X1	0.010 0.022
56.0 2.205	72 2.835	1.0 0.039	SNSH56X72X1	0.013 0.029
61.0 2.402	78 3.071	1.0 0.039	SNSH61X78X1	0.015 0.033
66.0 2.598	85 3.346	1.0 0.039	SNSH66X85X1	0.018 0.040



**NOTES**



# SUPPLEMENTARY TABLES

# C

C

## **C** SUPPLEMENTARY TABLES

<i>Supplementary table 1 SI units and conversion factors</i> .....	C-2
<i>Supplementary table 2 Steel hardness numbers</i> .....	C-6
<i>Supplementary table 3 Inch/millimeter conversion</i> .....	C-7
<i>Supplementary table 4 °C / °F conversion</i> .....	C-8
<i>Supplementary table 5 Viscosity conversion</i> .....	C-9
<i>Index</i> .....	C-10

**Supplementary table 1 (1) SI units and conversion factors**

Mass	SI units	Other Units <sup>1)</sup>	Conversion into SI units	Conversion from SI units
Angle	rad [radian(s)]	° [degree(s)] * ′ [minute(s)] * ″ [second(s)] *	1° = π / 180 rad 1′ = π / 10 800 rad 1″ = π / 648 000 rad	1 rad = 57.295 78°
Length	m [meter(s)]	Å [Angstrom unit] μ [micron(s)] in [inch(es)] ft [foot(feet)] yd [yard(s)] mile [mile(s)]	1 Å = 10 <sup>-10</sup> m = 0.1 nm = 100 pm 1 μ = 1 μm 1 in = 25.4 mm 1 ft = 12 in = 0.304 8 m 1 yd = 3 ft = 0.914 4 m 1 mile = 5 280 ft = 1 609.344 m	1 m = 10 <sup>10</sup> Å 1 m = 39.37 in 1 m = 3.280 8 ft 1 m = 1.093 6 yd 1 km = 0.621 4 mile
Area	m <sup>2</sup>	a [are(s)] ha [hectare(s)] acre [acre(s)]	1 a = 100 m <sup>2</sup> 1 ha = 10 <sup>4</sup> m <sup>2</sup> 1 acre = 4 840 yd <sup>2</sup> = 4 046.86 m <sup>2</sup>	1 km <sup>2</sup> = 247.1 acre
Volume	m <sup>3</sup>	ℓ, L [liter(s)] * cc [cubic centimeters] gal (US) [gallon(s)] fl oz (US) [fluid ounce(s)] barrel (US) [barrels (US)]	1 ℓ = 1 dm <sup>3</sup> = 10 <sup>-3</sup> m <sup>3</sup> 1 cc = 1 cm <sup>3</sup> = 10 <sup>-6</sup> m <sup>3</sup> 1 gal (US) = 231 in <sup>3</sup> = 3.785 41 dm <sup>3</sup> 1 fl oz (US) = 29.573 5 cm <sup>3</sup> 1 barrel (US) = 158.987 dm <sup>3</sup>	1 m <sup>3</sup> = 10 <sup>3</sup> ℓ 1 m <sup>3</sup> = 10 <sup>6</sup> cc 1 m <sup>3</sup> = 264.17 gal 1 m <sup>3</sup> = 33 814 fl oz 1 m <sup>3</sup> = 6.289 8 barrel
Time	s [second(s)]	min [minute(s)] * h [hour(s)] * d [day(s)] *		
Angular velocity	rad / s			
Velocity	m / s	kn [knot(s)] * m / h *	1 kn = 1 852 m / h	1 km / h = 0.539 96 kn
Acceleration	m / s <sup>2</sup>	G	1 G = 9.806 65 m / s <sup>2</sup>	1 m / s <sup>2</sup> = 0.101 97 G
Frequency	Hz [hertz]	c / s [cycle(s) / second]	1 c / s = 1 s <sup>-1</sup> = 1 Hz	
Rotational frequency	s <sup>-1</sup>	rpm [revolutions per minute] * min <sup>-1</sup> r / min	1 rpm = 1 / 60 s <sup>-1</sup>	1 s <sup>-1</sup> = 60 rpm
Mass	kg [kilogram(s)]	t [ton(s)] * lb [pound(s)] gr [grain(s)] oz [ounce(s)] ton (UK) [ton(s) (UK)] ton (US) [ton(s) (US)] car [carat(s)]	1 t = 10 <sup>3</sup> kg 1 lb = 0.453 592 37 kg 1 gr = 64.798 91 mg 1 oz = 1 / 16 lb = 28.349 5 g 1 ton (UK) = 1 016.05 kg 1 ton (US) = 907.185 kg 1 car = 200 mg	1 kg = 2.204 6 lb 1 g = 15.432 4 gr 1 kg = 35.274 0 oz 1 t = 0.984 2 ton (UK) 1 t = 1.102 3 ton (US) 1 g = 5 car

[Note] 1) \* : Unit can be used as an SI unit.  
No asterisk : Unit cannot be used.

Supplementary table 1 (2) SI units and conversion factors

Mass	SI units	Other Units <sup>1)</sup>	Conversion into SI units	Conversion from SI units
Density	kg / m <sup>3</sup>			
Linear density	kg / m			
Momentum	kg·m / s			
Moment of momentum, Angular momentum	} kg·m <sup>2</sup> / s			
Moment of inertia		kg·m <sup>2</sup>		
Force	N [newton(s)]	dyn [dyne(s)] kgf [kilogram-force] gf [gram-force] tf [ton-force] lbf [pound-force]	1 dyn = 10 <sup>-5</sup> N 1 kgf = 9.806 65 N 1 gf = 9.806 65 × 10 <sup>-3</sup> N 1 tf = 9.806 65 × 10 <sup>3</sup> N 1 lbf = 4.448 22 N	1 N = 10 <sup>5</sup> dyn 1 N = 0.101 97 kgf  1 N = 0.224 809 lbf
Moment of force	N·m [newton meter(s)]	gf·cm kgf·cm kgf·m tf·m lbf·ft	1 gf·cm = 9.806 65 × 10 <sup>-5</sup> N·m 1 kgf·cm = 9.806 65 × 10 <sup>-2</sup> N·m 1 kgf·m = 9.806 65 N·m 1 tf·m = 9.806 65 × 10 <sup>3</sup> N·m 1 lbf·ft = 1.355 82 N·m	1 N·m = 0.101 97 kgf·m  1 N·m = 0.737 56 lbf·ft
Pressure,  Normal stress	Pa [pascal(s)]  or N / m <sup>2</sup> { 1 Pa = 1 N / m <sup>2</sup> }	gf / cm <sup>2</sup> kgf / mm <sup>2</sup> kgf / m <sup>2</sup> lbf / in <sup>2</sup> bar [bar(s)] at [engineering air pressure] mH <sub>2</sub> O, mAq [meter water column] atm [atmosphere] mHg [meter mercury column] Torr [torr]	1 gf / cm <sup>2</sup> = 9.806 65 × 10 Pa 1 kgf / mm <sup>2</sup> = 9.806 65 × 10 <sup>6</sup> Pa 1 kgf / m <sup>2</sup> = 9.806 65 Pa 1 lbf / in <sup>2</sup> = 6 894.76 Pa 1 bar = 10 <sup>5</sup> Pa 1 at = 1 kgf / cm <sup>2</sup> = 9.806 65 × 10 <sup>4</sup> Pa 1 mH <sub>2</sub> O = 9.806 65 × 10 <sup>3</sup> Pa 1 atm = 101 325 Pa 1 mHg = $\frac{101\,325}{0.76}$ Pa 1 Torr = 1 mmHg = 133.322 Pa	1 MPa = 0.101 97 kgf / mm <sup>2</sup> 1 Pa = 0.101 97 kgf / m <sup>2</sup> 1 Pa = 0.145 × 10 <sup>-3</sup> lbf / in <sup>2</sup> 1 Pa = 10 <sup>-2</sup> mbar  1 Pa = 7.500 6 × 10 <sup>-3</sup> Torr
Viscosity	Pa·s [pascal second]	P [poise] kgf·s / m <sup>2</sup>	10 <sup>-2</sup> P = 1 cP = 1 mPa·s 1 kgf·s / m <sup>2</sup> = 9.806 65 Pa·s	1 Pa·s = 0.101 97 kgf·s / m <sup>2</sup>
Kinematic viscosity	m <sup>2</sup> / s	St [stokes]	10 <sup>-2</sup> St = 1 cSt = 1 mm <sup>2</sup> / s	
Surface tension	N / m			



**Supplementary table 1 (3) SI units and conversion factors**

Mass	SI units	Other Units <sup>1)</sup>	Conversion into SI units	Conversion from SI units
Work, energy	J [joule(s)] {1 J = 1 N·m}	eV [electron volt(s)] * erg [erg(s)] kgf·m lbf·ft	1 eV = (1.602 189 2 ± 0.000 004 6) × 10 <sup>-19</sup> J 1 erg = 10 <sup>-7</sup> J 1 kgf·m = 9.806 65 J 1 lbf·ft = 1.355 82 J	1 J = 10 <sup>7</sup> erg 1 J = 0.101 97 kgf·m 1 J = 0.737 56 lbf·ft
Power	W [watt(s)]	erg / s [ergs per second] kgf·m / s PS [French horse-power] HP [horse-power (British)] lbf·ft / s	1 erg / s = 10 <sup>-7</sup> W 1 kgf·m / s = 9.806 65 W 1 PS = 75 kgf·m / s = 735.5 W 1 HP = 550 lbf·ft / s = 745.7 W 1 lbf·ft / s = 1.355 82 W	1 W = 0.101 97 kgf·m / s 1 W = 0.001 36 PS 1 W = 0.001 34 HP
Thermo-dynamic temperature	K [kelvin(s)]			
Celsius temperature	°C [celsius(s)] {t °C = (t + 273.15) K}	°F [degree(s) Fahrenheit]	t °F = $\frac{5}{9}(t - 32)$ °C	t °C = $(\frac{9}{5}t + 32)$ °F
Linear expansion coefficient	K <sup>-1</sup>	°C <sup>-1</sup> [per degree]		
Heat	J [joule(s)] {1 J = 1 N·m}	erg [erg(s)] kgf·m cal <sub>IT</sub> [I. T. calories]	1 erg = 10 <sup>-7</sup> J 1 cal <sub>IT</sub> = 4.186 8 J 1 Mcal <sub>IT</sub> = 1.163 kW·h	1 J = 10 <sup>7</sup> erg 1 J = 0.238 85 cal <sub>IT</sub> 1 kW·h = 0.86 × 10 <sup>6</sup> cal <sub>IT</sub>
Thermal conductivity	W / (m·K)	W / (m·°C) cal / (s·m·°C)	1 W / (m·°C) = 1 W / (m·K) 1 cal / (s·m·°C) = 4.186 05 W / (m·K)	
Coefficient of heat transfer	W / (m <sup>2</sup> ·K)	W / (m <sup>2</sup> ·°C) cal / (s·m <sup>2</sup> ·°C)	1 W / (m <sup>2</sup> ·°C) = 1 W / (m <sup>2</sup> ·K) 1 cal / (s·m <sup>2</sup> ·°C) = 4.186 05 W / (m <sup>2</sup> ·K)	
Heat capacity	J / K	J / °C	1 J / °C = 1 J / K	
Massic heat capacity	J / (kg·K)	J / (kg·°C)		

[Note] 1) \* : Unit can be used as an SI unit.  
No asterisk : Unit cannot be used.

Supplementary table 1 (4) SI units and conversion factors

Mass	SI units	Other Units <sup>1)</sup>	Conversion into SI units	Conversion from SI units
Electric current	A [ampere(s)]			
Electric charge, quantity of electricity	C [coulomb(s)]  {1 C = 1 A·s}	A·h *	1 A·h = 3.6 kC	
Tension, electric potential	V [volt(s)] {1 V = 1 W / A}			
Capacitance	F [farad(s)] {1 F = 1 C / V}			
Magnetic field strength	A / m	Oe [oersted(s)]	$1 \text{ Oe} = \frac{10^3}{4\pi} \text{ A / m}$	$1 \text{ A / m} = 4\pi \times 10^{-3} \text{ Oe}$
Magnetic flux density	T [tesla(s)]  { 1 T = 1 N / (A·m) = 1 Wb / m <sup>2</sup> = 1 V·s / m <sup>2</sup> }	Gs [gauss(es)]  $\gamma$ [gamma(s)]	1 Gs = 10 <sup>-4</sup> T 1 $\gamma$ = 10 <sup>-9</sup> T	1 T = 10 <sup>4</sup> Gs 1 T = 10 <sup>9</sup> $\gamma$
Magnetic flux	Wb [weber(s)] {1 Wb = 1 V·s}	Mx [maxwell(s)]	1 Mx = 10 <sup>-8</sup> Wb	1 Wb = 10 <sup>8</sup> Mx
Self inductance	H [henry(-ries)] {1 H = 1 Wb / A}			
Resistance (to direct current)	$\Omega$ [ohm(s)] {1 $\Omega$ = 1 V / A}			
Conductance (to direct current)	S [siemens] {1 S = 1 A / V}			
Active power	{ W 1 W = 1 J / s = 1 A·V }			





**Supplementary table 2 Steel hardness numbers<sup>(1)</sup>**

Rockwell C-Scale Hardness Number	Diamond Pyramid Hardness Number Vickers	Brinell Hardness Number 10 mm Ball 3000 kg Load			Rockwell Hardness Number			Rockwell Superficial Hardness Number Superficial Brale Penetrator			Shore Scleroscope Hardness Number	Tensile Strength (approx.) MPa	Tensile Strength (approx.) 1000 psi	Rockwell C-Scale Hardness Number
		Standard Ball	Hultgren Ball	Tungsten Carbide Ball	A-Scale 60 kg Load Brale Penetrator	B-Scale 15 kg Load 1/16 in (1.59 mm) Dia.	D-Scale 100 kg Brale Penetrator	15-N Scale 15 kg Load	30-N Scale 30 kg Load	45-N Scale 45 kg Load				
68	940	—	—	—	85.6	—	76.9	93.2	84.4	75.4	97	—	—	68
67	900	—	—	—	85	—	76.1	92.9	83.6	74.2	95	—	—	67
66	865	—	—	—	84.5	—	75.4	92.5	82.8	73.3	92	—	—	66
65	832	—	—	739	83.9	—	74.5	92.2	81.9	72	91	—	—	65
64	800	—	—	722	83.4	—	73.8	91.8	81.1	71	88	—	—	64
63	772	—	—	705	82.8	—	73	91.4	80.1	69.9	87	—	—	63
62	746	—	—	688	82.3	—	72.2	91.1	79.3	68.8	85	—	—	62
61	720	—	—	670	81.8	—	71.5	90.7	78.4	67.7	83	—	—	61
60	697	—	613	654	81.2	—	70.7	90.2	77.5	66.6	81	—	—	60
59	674	—	599	634	80.7	—	69.9	89.8	76.6	65.5	80	2250	326	59
58	653	—	587	615	80.1	—	69.2	89.3	75.7	64.3	78	2170	315	58
57	633	—	575	595	79.6	—	68.5	88.9	74.8	63.2	76	2100	305	57
56	613	—	561	577	79	—	67.7	88.3	73.9	62	75	2030	295	56
55	595	—	546	560	78.5	—	66.9	87.9	73	60.9	74	1980	287	55
54	577	—	534	543	78	—	66.1	87.4	72	59.8	72	1920	278	54
53	560	—	519	525	77.4	—	65.4	86.9	71.2	58.6	71	1850	269	53
52	544	500	508	512	76.8	—	64.6	86.4	70.2	57.4	69	1810	262	52
51	528	487	494	496	76.3	—	63.8	85.9	69.4	56.1	68	1740	253	51
50	513	475	481	481	75.9	—	63.1	85.5	68.5	55	67	1690	245	50
49	498	464	469	469	75.2	—	62.1	85	67.6	53.8	66	1650	239	49
48	484	451	455	455	74.7	—	61.4	84.5	66.7	52.5	64	1600	232	48
47	471	442	443	443	74.1	—	60.8	83.9	65.8	51.4	63	1550	225	47
45	446	421	421	421	73.1	—	59.2	83	64	49	60	1460	212	45
44	434	409	409	409	72.5	—	58.5	82.5	63.1	47.8	58	1420	206	44
43	423	400	400	400	72	—	57.7	82	62.2	46.7	57	1390	201	43
42	412	390	390	390	71.5	—	56.9	81.5	61.3	45.5	56	1350	196	42
41	402	381	381	381	70.9	—	56.2	80.9	60.4	44.3	55	1320	191	41
40	392	371	371	371	70.4	—	55.4	80.4	59.5	43.1	54	1280	186	40
39	382	362	362	362	69.9	—	54.6	79.9	58.6	41.9	52	1250	181	39
38	372	353	353	353	69.4	—	53.8	79.4	57.7	40.8	51	1210	176	38
37	363	344	344	344	68.9	—	53.1	78.8	56.8	39.6	50	1190	172	37
36	354	336	336	336	68.4	(109)	52.3	78.3	55.9	38.4	49	1160	168	36
35	345	327	327	327	67.9	(108.5)	51.5	77.7	55	37.2	48	1120	163	35
34	336	319	319	319	67.4	(108)	50.8	77.2	54.2	36.1	47	1100	159	34
33	327	311	311	311	66.8	(107.5)	50	76.6	53.3	34.9	46	1060	154	33
32	318	301	301	301	66.3	(107)	49.2	76.1	52.1	33.7	44	1030	150	32
31	310	294	294	294	65.8	(106)	48.4	75.6	51.3	32.5	43	1010	146	31
30	302	286	286	286	65.3	(105.5)	47.7	75	50.4	31.3	42	980	142	30
29	294	279	279	279	64.7	(104.5)	47	74.5	49.5	30.1	41	950	138	29
28	286	271	271	271	64.3	(104)	46.1	73.9	48.6	28.9	41	920	134	28
27	279	264	264	264	63.8	(103)	45.2	73.3	47.7	27.8	40	900	131	27
26	272	258	258	258	63.3	(102.5)	44.6	72.8	46.8	26.7	38	880	127	26
25	266	253	253	253	62.8	(101.5)	43.8	72.2	45.9	25.5	38	850	124	25
24	260	247	247	247	62.4	(101)	43.1	71.6	45	24.3	37	830	121	24
23	254	243	243	243	62	100	42.1	71	44	23.1	36	810	118	23
22	248	237	237	237	61.5	99	41.6	70.5	43.2	22	35	790	115	22
21	243	231	231	231	61	98.5	40.9	69.9	42.3	20.7	35	780	113	21
20	238	226	226	226	60.5	97.8	40.1	69.4	41.5	19.6	34	760	110	20

(1) Source ASTM

Supplementary table 3 Inch/millimeter conversion

Inch		Inches										
		0	1	2	3	4	5	6	7	8	9	10
		<b>mm</b>										
<b>0</b>	<b>0</b>	<b>0</b>	<b>25.4000</b>	<b>50.8000</b>	<b>76.2000</b>	<b>101.6000</b>	<b>127.0000</b>	<b>152.4000</b>	<b>177.8000</b>	<b>203.2000</b>	<b>228.6000</b>	<b>254.0000</b>
1/64	0.015625	0.3969	25.7969	51.1969	76.5969	101.9969	127.3969	152.7969	178.1969	203.5969	228.9969	254.3969
1/32	0.03125	0.7938	26.1938	51.5938	76.9938	102.3938	127.7938	153.1938	178.5938	203.9938	229.3938	254.7938
3/64	0.046875	1.1906	26.5906	51.9906	77.3906	102.7906	128.1906	153.5906	178.9906	204.3906	229.7906	255.1906
1/16	0.0625	1.5875	26.9875	52.3875	77.7875	103.1875	128.5875	153.9875	179.3875	204.7875	230.1875	255.5875
5/64	0.078125	1.9844	27.3844	52.7844	78.1844	103.5844	128.9844	154.3844	179.7844	205.1844	230.5844	255.9844
3/32	0.09375	2.3812	27.7812	53.1812	78.5812	103.9812	129.3812	154.7812	180.1812	205.5812	230.9812	256.3812
7/64	0.109375	2.7781	28.1781	53.5781	78.9781	104.3781	129.7781	155.1781	180.5781	205.9781	231.3781	256.7781
1/8	0.125	<b>3.1750</b>	<b>28.5750</b>	<b>53.9750</b>	<b>79.3750</b>	<b>104.7750</b>	<b>130.1750</b>	<b>155.5750</b>	<b>180.9750</b>	<b>206.3750</b>	<b>231.7750</b>	<b>257.1750</b>
9/64	0.140625	3.5719	28.9719	54.3719	79.7719	105.1719	130.5719	155.9719	181.3719	206.7719	232.1719	257.5719
5/32	0.15625	3.9688	29.3688	54.7688	80.1688	105.5688	130.9688	156.3688	181.7688	207.1688	232.5688	257.9688
11/64	0.171875	4.3656	29.7656	55.1656	80.5656	105.9656	131.3656	156.7656	182.1656	207.5656	232.9656	258.3656
3/16	0.1875	4.7625	30.1625	55.5625	80.9625	106.3625	131.7625	157.1625	182.5625	207.9625	233.3625	258.7625
13/64	0.203125	5.1594	30.5594	55.9594	81.3594	106.7594	132.1594	157.5594	182.9594	208.3594	233.7594	259.1594
7/32	0.21875	5.5562	30.9562	56.3562	81.7562	107.1562	132.5562	157.9562	183.3562	208.7562	234.1562	259.5562
15/64	0.234375	5.9531	31.3531	56.7531	82.1531	107.5531	132.9531	158.3531	183.7531	209.1531	234.5531	259.9531
1/4	0.25	<b>6.3500</b>	<b>31.7500</b>	<b>57.1500</b>	<b>82.5500</b>	<b>107.9500</b>	<b>133.3500</b>	<b>158.7500</b>	<b>184.1500</b>	<b>209.5500</b>	<b>234.9500</b>	<b>260.3500</b>
17/64	0.265625	6.7469	32.1469	57.5469	82.9469	108.3469	133.7469	159.1469	184.5469	209.9469	235.3469	260.7469
9/32	0.28125	7.1438	32.5438	57.9438	83.3438	108.7438	134.1438	159.5438	184.9438	210.3438	235.7438	261.1438
19/64	0.296875	7.5406	32.9406	58.3406	83.7406	109.1406	134.5406	159.9406	185.3406	210.7406	236.1406	261.5406
5/16	0.3125	7.9375	33.3375	58.7375	84.1375	109.5375	134.9375	160.3375	185.7375	211.1375	236.5375	261.9375
21/64	0.328125	8.3344	33.7344	59.1344	84.5344	109.9344	135.3344	160.7344	186.1344	211.5344	236.9344	262.3344
11/32	0.34375	8.7312	34.1312	59.5312	84.9312	110.3312	135.7312	161.1312	186.5312	211.9312	237.3312	262.7312
23/64	0.359375	9.1281	34.5281	59.9281	85.3281	110.7281	136.1281	161.5281	186.9281	212.3281	237.7281	263.1281
3/8	0.375	<b>9.5250</b>	<b>34.9250</b>	<b>60.3250</b>	<b>85.7250</b>	<b>111.1250</b>	<b>136.5250</b>	<b>161.9250</b>	<b>187.3250</b>	<b>212.7250</b>	<b>238.1250</b>	<b>263.5250</b>
25/64	0.390625	9.9219	35.3219	60.7219	86.1219	111.5219	136.9219	162.3219	187.7219	213.1219	238.5219	263.9219
13/32	0.40625	10.3188	35.7188	61.1188	86.5188	111.9188	137.3188	162.7188	188.1188	213.5188	238.9188	264.3188
27/64	0.421875	10.7156	36.1156	61.5156	86.9156	112.3156	137.7156	163.1156	188.5156	213.9156	239.3156	264.7156
7/16	0.4375	11.1125	36.5125	61.9125	87.3125	112.7125	138.1125	163.5125	188.9125	214.3125	239.7125	265.1125
29/64	0.453125	11.5094	36.9094	62.3094	87.7094	113.1094	138.5094	163.9094	189.3094	214.7094	240.1094	265.5094
15/32	0.46875	11.9062	37.3062	62.7062	88.1062	113.5062	138.9062	164.3062	189.7062	215.1062	240.5062	265.9062
31/64	0.484375	12.3031	37.7031	63.1031	88.5031	113.9031	139.3031	164.7031	190.1031	215.5031	240.9031	266.3031
1/2	0.5	<b>12.7000</b>	<b>38.1000</b>	<b>63.5000</b>	<b>88.9000</b>	<b>114.3000</b>	<b>139.7000</b>	<b>165.1000</b>	<b>190.5000</b>	<b>215.9000</b>	<b>241.3000</b>	<b>266.7000</b>
33/64	0.515625	13.0969	38.4969	63.8969	89.2969	114.6969	140.0969	165.4969	190.8969	216.2969	241.6969	267.0969
17/32	0.53125	13.4938	38.8938	64.2938	89.6938	115.0938	140.4938	165.8938	191.2938	216.6938	242.0938	267.4938
35/64	0.546875	13.8906	39.2906	64.6906	90.0906	115.4906	140.8906	166.2906	191.6906	217.0906	242.4906	267.8906
9/16	0.5625	14.2875	39.6875	65.0875	90.4875	115.8875	141.2875	166.6875	192.0875	217.4875	242.8875	268.2875
37/64	0.578125	14.6844	40.0844	65.4844	90.8844	116.2844	141.6844	167.0844	192.4844	217.8844	243.2844	268.6844
19/32	0.59375	15.0812	40.4812	65.8812	91.2812	116.6812	142.0812	167.4812	192.8812	218.2812	243.6812	269.0812
39/64	0.609375	15.4781	40.8781	66.2781	91.6781	117.0781	142.4781	167.8781	193.2781	218.6781	244.0781	269.4781
5/8	0.625	<b>15.8750</b>	<b>41.2750</b>	<b>66.6750</b>	<b>92.0750</b>	<b>117.4750</b>	<b>142.8750</b>	<b>168.2750</b>	<b>193.6750</b>	<b>219.0750</b>	<b>244.4750</b>	<b>269.8750</b>
41/64	0.640625	16.2719	41.6719	67.0719	92.4719	117.8719	143.2719	168.6719	194.0719	219.4719	244.8719	270.2719
21/32	0.65625	16.6688	42.0688	67.4688	92.8688	118.2688	143.6688	169.0688	194.4688	219.8688	245.2688	270.6688
43/64	0.671875	17.0656	42.4656	67.8656	93.2656	118.6656	144.0656	169.4656	194.8656	220.2656	245.6656	271.0656
11/16	0.6875	17.4625	42.8625	68.2625	93.6625	119.0625	144.4625	169.8625	195.2625	220.6625	246.0625	271.4625
45/64	0.703125	17.8594	43.2594	68.6594	94.0594	119.4594	144.8594	170.2594	195.6594	221.0594	246.4594	271.8594
23/32	0.71875	18.2562	43.6562	69.0562	94.4562	119.8562	145.2562	170.6562	196.0562	221.4562	246.8562	272.2562
47/64	0.734375	18.6531	44.0531	69.4531	94.8531	120.2531	145.6531	171.0531	196.4531	221.8531	247.2531	272.6531
3/4	0.75	<b>19.0500</b>	<b>44.4500</b>	<b>69.8500</b>	<b>95.2500</b>	<b>120.6500</b>	<b>146.0500</b>	<b>171.4500</b>	<b>196.8500</b>	<b>222.2500</b>	<b>247.6500</b>	<b>273.0500</b>
49/64	0.765625	19.4469	44.8469	70.2469	95.6469	121.0469	146.4469	171.8469	197.2469	222.6469	248.0469	273.4469
25/32	0.78125	19.8438	45.2438	70.6438	96.0438	121.4438	146.8438	172.2438	197.6438	223.0438	248.4438	273.8438
51/64	0.796875	20.2406	45.6406	71.0406	96.4406	121.8406	147.2406	172.6406	198.0406	223.4406	248.8406	274.2406
13/16	0.8125	20.6375	46.0375	71.4375	96.8375	122.2375	147.6375	173.0375	198.4375	223.8375	249.2375	274.6375
53/64	0.828125	21.0344	46.4344	71.8344	97.2344	122.6344	148.0344	173.4344	198.8344	224.2344	249.6344	275.0344
27/32	0.84375	21.4312	46.8312	72.2312	97.6312	123.0312	148.4312	173.8312	199.2312	224.6312	250.0312	275.4312
55/64	0.859375	21.8281	47.2281	72.6281	98.0281	123.4281	148.8281	174.2281	199.6281	225.0281	250.4281	275.8281
7/8	0.875	<b>22.2250</b>	<b>47.6250</b>	<b>73.0250</b>	<b>98.4250</b>	<b>123.8250</b>	<b>149.2250</b>	<b>174.6250</b>	<b>200.0250</b>	<b>225.4250</b>	<b>250.8250</b>	<b>276.2250</b>
57/64	0.890625	22.6219	48.0219	73.4219	98.8219	124.2219	149.6219	175.0219	200.4219	225.8219	251.2219	276.6219
29/32	0.90625	23.0188	48.4188	73.8188	99.2188	124.6188	150.0188	175.4188	200.8188	226.2188	251.6188	277.0188
59/64	0.921875	23.4156	48.8156	74.2156	99.6156	125.0156	150.4156	175.8156	201.2156	226.6156	252.0156	277.4156
15/16	0.9375	23.8125	49.2125	74.6125	100.0125	125.4125	150.8125	176.2125	201.6125	227.0125	252.4125	277.8125
61/64	0.953125	24.2094	49.6094	75.0094	100.4094	125.8094	151.2094	176.6094	202.0094	227.4094	252.8094	278.2094
31/32	0.96875	24.6062	50.0062	75.4062	100.8062	126.2062	151.6062	177.0062	202.4062	227.8062	253.2062	278.6062
63/64	0.984375	25.0031	50.4031	75.8031	101.2031	126.6031	152.0031	177.4031	202.8031	228.2031	253.6031	279.0031



## Supplementary table 4 °C / °F conversion

°C		°F	°C		°F	°C		°F	°C		°F
-73	-100	-148	-1.6	29	84.2	17.7	64	147.2	37.1	99	210.2
-62	-80	-112	-1.1	30	86.0	18.2	65	149.0	37.7	100	212
-51	-60	-76	-0.6	31	87.8	18.8	66	150.8	40.6	105	221
-40	-40	-40	0	32	89.6	19.3	67	152.6	43	110	230
-29	-20	-4	0.5	33	91.4	19.9	68	154.4	49	120	248
-23.3	-10	14	1.1	34	93.2	20.4	69	156.2	54	130	266
-17.7	0	32	1.6	35	95.0	21.0	70	158.0	60	140	284
-17.2	1	33.8	2.2	36	96.8	21.5	71	159.8	65	150	302
-16.6	2	35.6	2.7	37	98.6	22.2	72	161.6	71	160	320
-16.1	3	37.4	3.3	38	100.4	22.7	73	163.4	76	170	338
-15.5	4	39.2	3.8	39	102.2	23.3	74	165.2	83	180	356
-15.0	5	41.0	4.4	40	104.0	23.8	75	167.0	88	190	374
-14.4	6	42.8	4.9	41	105.8	24.4	76	168.8	93	200	392
-13.9	7	44.6	5.4	42	107.6	25.0	77	170.6	121	250	482
-13.3	8	46.4	6.0	43	109.4	25.5	78	172.4	149	300	572
-12.7	9	48.2	6.6	44	111.2	26.2	79	174.2	177	350	662
-12.2	10	50.0	7.1	45	113.0	26.8	80	176.0	204	400	752
-11.6	11	51.8	7.7	46	114.8	27.3	81	177.8	232	450	842
-11.1	12	53.6	8.2	47	116.6	27.7	82	179.6	260	500	932
-10.5	13	55.4	8.8	48	118.4	28.2	83	181.4	288	550	1 022
-10.0	14	57.2	9.3	49	120.2	28.8	84	183.2	315	600	1 112
-9.4	15	59.0	9.9	50	122.0	29.3	85	185.0	343	650	1 202
-8.8	16	61.8	10.4	51	123.8	29.9	86	186.8	371	700	1 292
-8.3	17	63.6	11.1	52	125.6	30.4	87	188.6	399	750	1 382
-7.7	18	65.4	11.5	53	127.4	31.0	88	190.4	426	800	1 472
-7.2	19	67.2	12.1	54	129.2	31.5	89	192.2	454	850	1 562
-6.6	20	68.0	12.6	55	131.0	32.1	90	194.0	482	900	1 652
-6.1	21	69.8	13.2	56	132.8	32.6	91	195.8	510	950	1 742
-5.5	22	71.6	13.7	57	134.6	33.3	92	197.6	538	1 000	1 832
-5.0	23	73.4	14.3	58	136.4	33.8	93	199.4	593	1 100	2 012
-4.4	24	75.2	14.8	59	138.2	34.4	94	201.2	648	1 200	2 192
-3.9	25	77.0	15.6	60	140.0	34.9	95	203.0	704	1 300	2 372
-3.3	26	78.8	16.1	61	141.8	35.5	96	204.8	760	1 400	2 552
-2.8	27	80.6	16.6	62	143.6	36.1	97	206.6	815	1 500	2 732
-2.2	28	82.4	17.1	63	145.4	36.6	98	208.4	871	1 600	2 937

[Example] The center columns of numbers is the temperature in either degrees Centigrade (°C) or Fahrenheit (°F) whichever is desired to convert into the other. If degrees Fahrenheit is given, read degrees Centigrade to the left. If degrees Centigrade is given, read degrees Fahrenheit to the right.

$$^{\circ}\text{C} = \frac{5}{9} (^{\circ}\text{F} - 32)$$

$$^{\circ}\text{F} = \frac{9}{5} ^{\circ}\text{C} + 32$$

Supplementary table 5 Viscosity conversion

Kinematic viscosity mm <sup>2</sup> /s	Saybolt SUS (second)		Redwood R (second)		Engler E (degree)
	100 °F	210 °F	50 °C	100 °C	
2	32.6	32.8	30.8	31.2	1.14
3	36.0	36.3	33.3	33.7	1.22
4	39.1	39.4	35.9	36.5	1.31
5	42.3	42.6	38.5	39.1	1.40
6	45.5	45.8	41.1	41.7	1.48
7	48.7	49.0	43.7	44.3	1.56
8	52.0	52.4	46.3	47.0	1.65
9	55.4	55.8	49.1	50.0	1.75
10	58.8	59.2	52.1	52.9	1.84
11	62.3	62.7	55.1	56.0	1.93
12	65.9	66.4	58.2	59.1	2.02
13	69.6	70.1	61.4	62.3	2.12
14	73.4	73.9	64.7	65.6	2.22
15	77.2	77.7	68.0	69.1	2.32
16	81.1	81.7	71.5	72.6	2.43
17	85.1	85.7	75.0	76.1	2.54
18	89.2	89.8	78.6	79.7	2.64
19	93.3	94.0	82.1	83.6	2.76
20	97.5	98.2	85.8	87.4	2.87
21	102	102	89.5	91.3	2.98
22	106	107	93.3	95.1	3.10
23	110	111	97.1	98.9	3.22
24	115	115	101	103	3.34
25	119	120	105	107	3.46
26	123	124	109	111	3.58
27	128	129	112	115	3.70
28	132	133	116	119	3.82
29	137	138	120	123	3.95
30	141	142	124	127	4.07
31	145	146	128	131	4.20
32	150	150	132	135	4.32
33	154	155	136	139	4.45
34	159	160	140	143	4.57

Kinematic viscosity mm <sup>2</sup> /s	Saybolt SUS (second)		Redwood R (second)		Engler E (degree)
	100 °F	210 °F	50 °C	100 °C	
35	163	164	144	147	4.70
36	168	170	148	151	4.83
37	172	173	153	155	4.96
38	177	178	156	159	5.08
39	181	183	160	164	5.21
40	186	187	164	168	5.34
41	190	192	168	172	5.47
42	195	196	172	176	5.59
43	199	201	176	180	5.72
44	204	205	180	185	5.85
45	208	210	184	189	5.98
46	213	215	188	193	6.11
47	218	219	193	197	6.24
48	222	224	197	202	6.37
49	227	228	201	206	6.50
50	231	233	205	210	6.63
55	254	256	225	231	7.24
60	277	279	245	252	7.90
65	300	302	266	273	8.55
70	323	326	286	294	9.21
75	346	349	306	315	9.89
80	371	373	326	336	10.5
85	394	397	347	357	11.2
90	417	420	367	378	11.8
95	440	443	387	399	12.5
100	464	467	408	420	13.2
120	556	560	490	504	15.8
140	649	653	571	588	18.4
160	742	747	653	672	21.1
180	834	840	734	757	23.7
200	927	933	816	841	26.3
250	1 159	1 167	1 020	1 051	32.9
300	1 391	1 400	1 224	1 241	39.5

[Remark] 1 mm<sup>2</sup>/s = 1 cSt (centi stokes)



**INDEX**

<b>CODE</b>	<b>DESCRIPTION</b>	<b>PAGE</b>	<b>CODE</b>	<b>DESCRIPTION</b>	<b>PAGE</b>
811, 812	Cylindrical roller thrust bearing with separable washers, one shaftpiloted washer and one housing-piloted washer, metric series.....	B-6-38~B-6-41	BKM UU	Drawn cup needle roller bearing, open ends, caged, with two seals, metric series.....	B-2-26
AR	Unitized cylindrical roller thrust bearing assemblies, with one unitized washer, metric series ....	B-6-44~B-6-47	BM	Drawn cup needle roller bearing, full complement, open ends, metric series .....	B-2-41~B-2-42
ARZ	Unitized cylindrical roller thrust bearing assemblies, with two unitized washers, metric series...	B-6-42~B-6-43	BSM	Drawn cup needle roller bearing, open ends, caged, metric series .....	B-2-23
AS	Thrust washer, stamped, for AXK and FNT series, metric series .....	B-6-13~B-6-17	BT	Drawn cup needle roller bearing, open ends, caged, inch series.....	B-2-70
AX	Unitized needle roller thrust bearing assemblies, with one unitized washer, metric series .....	B-6-26~B-6-33	BTM	Drawn cup needle roller bearing, open ends, caged, metric series .....	B-2-20~B-2-23
AXK	Thrust needle roller and cage assembly (without washers), one-piece cage, metric series .....	B-6-12~B-6-17	CP	Thrust washer, for AX and AR series, metric series .....	B-6-27~B-6-33 & B-6-45~B-6-47
AXZ	Thrust needle roller and cage assembly, with two unitized washers, metric series.....	B-6-42~B-6-43	CPN	Thrust washer, for AX series, precision, metric series .....	B-6-27~B-6-33
B	Drawn cup needle roller bearing, full complement, open ends, inch series .....	B-2-54~B-2-62	CPR	Thrust washer, for AR series, heavy, metric series .....	B-6-45~B-6-47
BE	Radial needle roller and cage assembly for crank pin applications, metric series .....	B-1-49~B-1-50	DF	Drawn cup roller clutch with plastic housings, with axial grooves, metric series .....	B-3-19
BEU	Radial needle roller and cage assembly for crank pin applications, half-caged, metric series.....	B-1-50	DL	Drawn cup needle roller bearing, full complement, open ends, metric series .....	B-2-38~B-2-40
BH	Drawn cup needle roller bearing, full complement, open ends, heavy series, inch series .....	B-2-54~B-2-61	DLF	Drawn cup needle roller bearing, full complement, closed end, metric series .....	B-2-38~B-2-40
BHKM UU	Drawn cup needle roller bearing, open ends, caged, with two seals, metric series.....	B-2-26	FC	Drawn cup roller clutch, regular series, multi-roller per stainless steel spring, metric series ....	B-3-10~B-3-11
BHM	Drawn cup needle roller bearing, full complement, open ends, metric series .....	B-2-41~B-2-42	FC -K	Drawn cup roller clutch, regular series, single roller per stainless steel spring, metric series ....	B-3-10~B-3-11
BHTM	Drawn cup needle roller bearing, caged, open ends, metric series .....	B-2-20~B-2-23	FCB	Drawn cup roller clutch and bearing assembly, regular series, multi-roller per stainless steel spring, metric series .....	B-3-12~B-3-13
BIC	Inner rings for needle roller bearings, with lubrication hole, metric series .....	B-5-44 & B-8-36~B-8-38	FCBL -K	Drawn cup roller clutch and bearing assembly, light series, single roller per stainless steel spring, metric series .....	B-3-12~B-3-13
BICG	Inner ring for needle roller bearings, extra wide, with lubrication hole, metric series .....	B-8-36~B-8-38	FCBN -K	Drawn cup roller clutch and bearing assembly, light series, single roller per stainless steel spring, metric series .....	B-3-12~B-3-13
BIG, BIK, BIP	Inner ring for needle roller bearings, extra wide, no lubrication hole, metric series.....	B-8-36~B-8-38	FCL -K	Drawn cup roller clutch, light series, single roller per stainless steel spring, metric series ....	B-3-10~B-3-11
BK	Drawn cup needle roller bearing, caged, closed end, metric series .....	B-2-14~B-2-19	FCP	Drawn cup roller clutch with plastic housings, with axial grooves, metric series .....	B-3-19
BK RS	Drawn cup needle roller bearing, closed end, caged, with one seal, metric series.....	B-2-24	FCS	Drawn cup roller clutch, regular series, single roller per stainless steel spring, metric series ....	B-3-10~B-3-11
BKM	Drawn cup needle roller bearing, open ends, caged, metric series .....	B-2-20~B-2-22			

CODE	DESCRIPTION	PAGE
FG	Needle roller bearing, track roller, yoke type, full complement, non-separable, unsealed, crowned outer ring outside diameter, with inner ring, metric series ..... B-5-39~B-5-40	
FG..EE	Needle roller bearing, track roller, yoke type, full complement, non-separable, polymer-sealed, crowned outer ring outside diameter, with inner ring, metric series ..... B-5-39	
FGL	Needle roller bearing, track roller, yoke type, full complement, non-separable, unsealed, cylindrical outer ring outside diameter, with inner ring, metric series ..... B-5-39~B-5-40	
FGU (MM)	Cylindrical roller bearing, track roller, yoke type, full complement, light series, metal-sealed, crowned outer ring outside diameter, with inner ring, metric series ..... B-5-41	
FGU (MM)	Cylindrical roller bearing, track roller, yoke type, full complement, heavy series, metal-sealed, crowned outer ring outside diameter, with inner ring, metric series ..... B-5-42~B-5-43	
FGUL (MM)	Cylindrical roller bearing, track roller, yoke type, full complement, light series, metal-sealed, cylindrical outer ring outside diameter, with inner ring, metric series ..... B-5-41	
FGUL (MM)	Cylindrical roller bearing, track roller, yoke type, full complement, heavy series, metal-sealed, cylindrical outer ring outside diameter, with inner ring, metric series ..... B-5-42~B-5-43	
FNT, FNTA	Thrust needle roller and cage assembly (without washers), two-piece cage, metric series ..... B-6-12~B-6-17	
FNTF	Unitized needle roller thrust bearing, non-separable design, with one I.D. lipped thrust washer, metric series ..... B-6-24	
FNTK	Unitized needle roller thrust bearing, non-separable design, with one O.D. lipped thrust washer, metric series ..... B-6-22	
FNTKF	Unitized needle roller thrust bearing, with non-separable washers, one I.D. lipped washer and one O.D. lipped washer, metric series ..... B-6-20	
FP	Needle roller bearing, track roller, yoke type, full complement, non-separable, small series, crowned outer ring outside diameter, with inner ring, metric series ..... B-5-38	

CODE	DESCRIPTION	PAGE
FPL	Needle roller bearing, track roller, yoke type, full complement, non-separable, small series, cylindrical outer ring outside diameter, inner ring, metric series ..... B-5-38	
GB	Extra-precision drawn cup needle roller bearing, full complement, inch series ..... B-2-65	
GBH	Extra-precision drawn cup needle roller bearing, full complement, heavy series, inch series ..... B-2-65	
GC 10-15	Needle roller bearing, track roller, stud type, full complement, small series, unsealed, crowned outer ring outside diameter, metric series ..... B-5-22~B-5-23	
GC 16-90	Needle roller bearing, track roller, stud type, full complement, standard series, unsealed, crowned outer ring outside diameter, metric series ..... B-5-24~B-5-25	
GCL 10-15	Needle roller bearing, track roller, stud type, full complement, small series, unsealed, cylindrical outer ring outside diameter, metric series ..... B-5-22~B-5-23	
GCL 16-90	Needle roller bearing, track roller, stud type, full complement, standard series, unsealed, cylindrical outer ring outside diameter, metric series ..... B-5-24~B-5-25	
GCR	Needle roller bearing, track roller, stud type, full complement, crowned outer ring outside diameter, eccentric collar, metric series ... B-5-28~B-5-29	
GCRL	Needle roller bearing, track roller, stud type, full complement, cylindrical outer ring outside diameter, eccentric collar, metric series ... B-5-28~B-5-29	
GCU MM	Cylindrical roller bearing, track roller, stud type, full complement, crowned outer ring outside diameter, metal-sealed, metric series ..... B-5-26~B-5-27	
GCUL MM	Cylindrical roller bearing, track roller, stud type, full complement, cylindrical outer ring outside diameter, metal-sealed, metric series ..... B-5-26~B-5-27	
GCUR MM	Cylindrical roller bearing, track roller, stud type, full complement, crowned outer ring outside diameter, eccentric collar, metal-sealed, metric series ..... B-5-30~B-5-31	
GCURL MM	Cylindrical roller bearing, track roller, stud type, full complement, cylindrical outer ring outside diameter, eccentric collar, metal-sealed, metric series ..... B-5-30~B-5-31	





CODE	DESCRIPTION	PAGE	CODE	DESCRIPTION	PAGE
GS	Radial needle roller and cage assembly for crank pin applications, metric series .....	B-1-49~B-1-50	JP-F	Drawn cup needle roller bearing, plastic finger cage, inch series .....	B-2-66
GS.811, GS.812	Thrust washer, housing piloted, metric series .....	B-6-13~B-6-15 & B-6-39~B-6-41	JR	Inner ring for needle roller bearing, no lubrication hole, metric series .....	B-2-28~B-2-37 & B-8-22~B-8-31
HJ	Needle roller bearing with integral flanges, lubricating groove and a lubricating hole in the outer ring, without inner ring, inch series .....	B-4-48~B-4-51	JR. JS1	Inner ring for needle roller bearing, with lubrication hole, metric series .....	B-2-28~B-2-37 & B-8-22~B-8-29
HJ RS	Needle roller bearing with integral flanges, lubricating groove and a lubricating hole in the outer ring, without inner ring, with one seal, inch series .....	B-4-52~B-4-53	JRZ. JS1	Inner ring for needle roller bearing, with lubrication hole, without raceway chamfer, metric series .....	B-2-28~B-2-37 & B-8-22~B-8-28
HJ .2RS	Needle roller bearing with integral flanges, lubricating groove and a lubricating hole in the outer ring, with two seals, without inner ring, inch series .....	B-4-52~B-4-53	JT	Drawn cup needle roller bearing, with one seal, open ends, caged, inch series .....	B-2-72~B-2-73
HK	Drawn cup needle roller bearing, open ends, caged, metric series .....	B-2-14~B-2-19	JTT	Drawn cup needle roller bearing, with two seals, open ends, caged, inch series .....	B-2-72~B-2-73
HK RS	Drawn cup needle roller bearing, open ends, caged, with one seal, metric series .....	B-2-24~B-2-25	K	Radial needle roller and cage assembly, single-row, metric series .....	B-1-8~B-1-28
HK .2RS	Drawn cup needle roller bearing, open ends, caged, with two seals, metric series .....	B-2-24~B-2-25	K BE	Radial needle roller and cage assembly for crank pin applications, metric series .....	B-1-47~B-1-48
IM	Inner ring for full complement drawn cup needle roller bearing, no lubrication hole, metric series .....	B-2-43~B-2-45 & B-8-32~B-8-34	K F	Radial needle roller and cage assembly, machined cage, single-row, metric series .....	B-1-8~B-1-28
IM	Inner ring for machine-tool quality precision-combined bearings, metric series .....	B-8-35	K FH	Radial needle roller and cage assembly, machined cage, case hardened, single-row, metric series ....	B-1-28
IMC	Inner ring for full complement drawn cup needle roller bearing, with lubrication hole, metric series .....	B-2-43~B-2-45 & B-8-32~B-8-34	K FV	Radial needle roller and cage assembly, machined cage, hardened and tempered, single-row, metric series .....	B-1-8~B-1-28
IM..P	Inner ring for needle roller bearing, no lubrication hole, metric series .....	B-2-28~B-2-35 & B-8-22~B-8-29	K H	Radial needle roller and cage assembly, hardened steel cage, single-row, metric series .....	B-1-8~B-1-28
IM...R6	Inner ring for full complement drawn cup needle roller bearing, no lubrication hole, without raceway chamfer, metric series .....	B-2-43~B-2-45 & B-8-32~B-8-34	K SE	Radial needle roller and cage assembly for wrist pin applications, metric series .....	B-1-51~B-1-52
IR (≤4 digit)	Inner ring for drawn cup needle roller bearing, inch-series .....	B-2-74~B-2-76	K TN	Radial needle roller and cage assembly, single-row, molded cage of reinforced engineered polymer, metric series .....	B-1-8~B-1-23
IR (6 digit)	Inner ring for heavy-duty needle roller bearing, inch series .....	B-4-54~B-4-56	K ZW	Radial needle roller and cage assembly, double-row, metric series .....	B-1-11~B-1-27
IRA	Inner ring for drawn cup needle roller bearing, extra wide, inch-series .....	B-2-74~B-2-76	K.811, K.812	Thrust cylindrical roller and cage assembly (without washers), metric series .....	B-6-38~B-6-40
J	Drawn cup needle roller bearing, caged, open ends, inch series .....	B-2-66~B-2-69	KR	Needle roller bearing, track roller, stud type, caged, crowned outer ring outer diameter, metric series .....	B-5-16~B-5-17
JH	Drawn cup needle roller bearing, caged, open ends, heavy series, inch series .....	B-2-66~B-2-69	KR .2RS	Needle roller bearing, track roller, stud type, caged, sealed, crowned outer ring outer diameter, metric series .....	B-5-18~B-5-19

<b>CODE</b>	<b>DESCRIPTION</b>	<b>PAGE</b>	<b>CODE</b>	<b>DESCRIPTION</b>	<b>PAGE</b>
KR .DZ	Needle roller bearing, track roller, stud type, caged, cylindrical outer ring outer diameter, metric series .....	B-5-16~B-5-17	NA49	Heavy-duty needle roller bearing, caged, with integral flanges, lubricating groove and one lubrication hole in the outer ring, with inner ring, metric series .....	B-4-13~B-4-18, B-4-19
KR .DZ.2RS	Needle roller bearing, track roller, stud type, caged, sealed, cylindrical outer ring outer diameter, metric series .....	B-5-18~B-5-19	NA49 RS	Heavy-duty needle roller bearing, caged, with integral flanges, lubricating groove and one lubricating hole in the outer ring, with inner ring, with one seal, metric series .....	B-4-30
KRV	Needle roller bearing, track roller, stud type, full complement, crowned outer ring outer diameter metric series .....	B-5-20~B-5-21	NA49 .2RS	Heavy-duty needle roller bearing, caged, with integral flanges, lubricating groove and one lubricating hole in the outer ring, with inner ring, with two seals, metric series .....	B-4-30
KRV .DZ	Needle roller bearing, track roller, stud type, full complement, cylindrical outer ring outer diameter, metric series .....	B-5-20~B-5-21	NA69	Heavy-duty needle roller bearing, caged, with flanges (inserted or integral), lubricating groove and one Lubricating hole in the outer ring, with inner ring (sizes with 32 mm and larger bores have two needle roller and cage assemblies), metric series .....	B-4-13~B-4-18
LS	Thrust washer for AXK series, heavy, metric series .....	B-6-13~B-6-17	NAO	Heavy-duty needle roller bearing, caged, without flanges, with inner ring, metric series .....	B-4-32~B-4-34
M- 1	Drawn cup needle roller bearing, full complement, closed end, inch series .....	B-2-54~B-2-61	NATR	Needle roller bearing, track roller, yoke type, caged, crowned outer ring outer diameter, with end washers, non-separable design, with inner ring, metric serie .....	B-5-36
MH- 1	Drawn cup needle roller bearing, full complement, heavy series, closed end, inch series .....	B-2-54~B-2-61	NATR .DZ	Needle roller bearing, track roller, yoke type, caged, cylindrical outer ring outer diameter, with end washers, non-separable design, with inner ring, metric series .....	B-5-36
MJ- 1	Drawn cup needle roller bearing, caged, closed end, inch series .....	B-2-66~B-2-69	NAXK	Combined needle roller bearings, combination machined race needle roller and thrust ball bearing, caged, single directional axial load capability, without inner ring, metric series .....	B-7-6~B-7-9
MJH- 1	Drawn cup needle roller bearing, caged, heavy series, closed end, inch series .....	B-2-66~B-2-69	NAXK .Z	Combined needle roller bearings, combination machined race needle roller and thrust ball bearing, caged, single directional axial load capability, with dust cap, without inner ring, metric series .....	B-7-6~B-7-9
NA1000	Heavy-duty needle roller bearing, full complement, with inner ring, metric series .....	B-4-42~B-4-43	NAXR	Combined needle roller bearings, combination machined race needle roller and thrust cylindrical roller bearing, caged, single directional axial load capability, without inner ring, metric serie .....	B-7-10~B-7-13
NA2000	Heavy-duty needle roller bearing, full complement, with inner ring, metric series .....	B-4-42~B-4-44	NAXR .Z	Combined needle roller bearings, combination machined race needle roller and thrust cylindrical roller bearing, caged, single directional axial load capability, with dust cap, without inner ring, metric series .....	B-7-10~B-7-13
NA22000	Heavy-duty needle roller bearing, full complement, with inner ring, metric series .....	B-4-42			
NA22 .2RS	Needle roller bearing, track roller, yoke type, caged, sealed, with integral flanges, crowned outer ring outer diameter, with inner ring, metric series .....	B-5-35			
NA22.2RS.DZ	Needle roller bearing, track roller, yoke type, caged, sealed, with integral flanges, cylindrical outer ring outer diameter, with inner ring, metric series .....	B-5-35			
NA3000	Heavy-duty needle roller bearing, full complement, with inner ring, metric series .....	B-4-42~B-4-44			
NA48	Heavy-duty needle roller bearing, caged, with integral flanges, lubricating groove and one lubrication hole in the outer ring, with inner ring, metric series .....	B-4-18			





# NEEDLE ROLLER BEARINGS

CODE	DESCRIPTION	PAGE	CODE	DESCRIPTION	PAGE
NK	Heavy-duty needle roller bearing, caged, with flanges (inserted or integral), without inner ring, metric series .....	B-4-20~B-4-26	R P	Radial needle roller and cage assembly for wrist pin applications, metric series .....	B-1-53~B-1-54
NKJ	Heavy-duty needle roller bearing, caged, with flanges (inserted or integral), with inner ring, metric series .....	B-4-13~B-4-18	RAX 400	Combined needle roller bearings, combination machined race needle roller and needle roller thrust bearing, with cage, single directional axial load capability, without inner ring, metric series .....	B-7-14~B-7-17
NKJS	Heavy-duty needle roller bearing, with integral flanges, lubricating groove and one lubricating hole in the outer ring, with inner ring, metric series....	B-4-14~B-4-18	RAX 500	Combined needle roller bearings, combination machined race needle roller and cylindrical roller thrust bearing, with cage, single directional axial load capability, without inner ring, metric series .....	B-7-14~B-7-17
NKS	Heavy-duty needle roller bearing, caged, with integral flanges, lubricating groove and one lubricating hole in the outer ring, without inner ring, metric series .....	B-4-21~B-4-25	RAX 700	Combined needle roller bearings, combination drawn cup needle roller (with open ends) and needle roller thrust bearing, caged, single directional axial load capability, without inner ring, metric series .....	B-7-18~B-7-19
NKTN	Heavy-duty needle roller bearing, molded cage of reinforced engineered polymer, with flanges (inserted or integral), without inner ring, metric series .....	B-4-20	RAXF 700	Combined needle roller bearings, combination drawn cup needle roller (with closed end) and needle roller thrust bearing, caged, single directional axial load capability, without inner ring, metric series .....	B-7-18~B-7-19
NQ	Heavy-duty needle roller bearing, caged, with integral flanges, without inner ring, metric series .....	B-4-27~B-4-29	RAXZ 500	Combined needle roller bearings, combination machined race needle roller and cylindrical roller thrust bearing, caged, single directional axial load capability, without inner ring, with unitized thrust washer, metric series .....	B-7-10~B-7-13
NQI	Heavy-duty needle roller bearing, caged, with integral flanges, with inner ring, metric series.....	B-4-19	RC	Drawn cup roller clutch, single roller per integral spring, inch series.....	B-3-14~B-3-15
NRO.B	Needle roller, flat end, metric series .....	B-8-8	RC -FS	Drawn cup roller clutch, single roller per stainless steel spring, inch series.....	B-3-14~B-3-15
NTA	Thrust needle roller and cage assembly (without washers), two-piece cage, inch series.....	B-6-52~B-6-61	RCB	Drawn cup roller clutch and bearing assembly, single roller per integral spring, inch series.....	B-3-16~B-3-17
NTH	Thrust cylindrical roller and cage assembly (without washers), inch series .....	B-6-62~B-6-63	RCB -FS	Drawn cup roller clutch and bearing assembly, single roller per stainless steel spring, inch series.....	B-3-16~B-3-17
NTHA	Cylindrical roller thrust bearing, with separable washers, one shaft-piloted washer and one housing-piloted washer, inch series.....	B-6-64~B-6-65	RE	Radial needle roller and cage assembly for wrist pin applications, metric series .....	B-1-53~B-1-54
NUKR	Cylindrical roller bearing, track roller, stud-type, full complement, with shields, crowned outer ring outer diameter, metric series.....	B-5-20~B-5-21	RF	Radial needle roller and cage assembly, molded polymer cage, metric series .....	B-1-30~B-1-40
NUTR	Cylindrical roller bearing, track roller, yoke-type, full complement, crowned outer ring outer diameter, with end washers, non-separable design, with inner ring, metric series .....	B-5-37	RFN	Radial needle roller and cage assembly, molded polymer cage, metric series .....	B-1-40
NUTR.DZ	Cylindrical roller bearing, track roller, yoke-type, full complement, cylindrical outer ring outer diameter, with end washers, non-separable design, with inner ring, metric series .....	B-5-37	RFU	Radial needle roller and cage assembly, half-caged, molded polymer cage, metric series .....	B-1-32~B-1-40
R	Radial needle roller and cage assembly, steel cage, metric series .....	B-1-30~B-1-41			

<b>CODE</b>	<b>DESCRIPTION</b>	<b>PAGE</b>	<b>CODE</b>	<b>DESCRIPTION</b>	<b>PAGE</b>
RNA1000	Heavy-duty needle roller bearing, full complement, without inner ring, metric series .....	B-4-38~B-4-40	RPU	Radial needle roller and cage assembly, half-caged, steel cage, metric series .....	B-1-33~B-1-40
RNA11000B6, RNAB11000	Needle roller bearing, track roller, yoke type, full complement, crowned outer ring outside diameter, without inner ring, metric series .....	B-5-44	RS	Radial needle roller and cage assembly, steel cage, metric series .....	B-1-30~B-1-40
RNA2000	Heavy-duty needle roller bearing, full complement, without inner ring, metric series .....	B-4-38~B-4-41	RSTO	Needle roller bearing, track roller, yoke type, caged, crowned outer ring outer diameter, separable design, without inner ring, without end washers, metric series .....	B-5-32
RNA22 .2RS	Needle roller bearing, track roller, yoke type, caged, sealed, with integral flanges, crowned outer ring outer diameter, without inner ring, metric series ...	B-5-34	RSTO. DZ	Needle roller bearing, track roller, yoke type, caged, cylindrical outer ring outer diameter, separable design, without inner ring, without end washers, metric series .....	B-5-32
RNA22 .2RS.DZ	Needle roller bearing, track roller, yoke type, caged, sealed, with integral flanges, cylindrical outer ring outer diameter, without inner ring, metric series ...	B-5-34	RSU	Radial needle roller and cage assembly, half-caged, steel cage, metric series .....	B-1-37
RNA22000	Heavy-duty needle roller bearing, full complement, without inner ring, metric series .....	B-4-38~B-4-39	RV	Radial needle roller and cage assembly, steel cage, metric series .....	B-1-30~B-1-41
RNA3000	Heavy-duty needle roller bearing, full complement, without inner ring, metric series .....	B-4-39~B-4-41	RVU	Radial needle roller and cage assembly, half-caged, steel cage, metric series .....	B-1-35
RNA48	Heavy-duty needle roller bearing, caged, with integral flanges, lubricating groove and one lubricating hole in the outer ring, without inner ring, metric series .....	B-4-26	SNSH	End washers, for use with NAO and RNAO needle roller bearings, metric series .....	B-4-32~B-4-37 & B-8-39
RNA49	Heavy-duty needle roller bearing, caged, with integral flanges, lubricating groove and one lubricating hole in the outer ring, without inner ring, metric series .....	B-4-20~B-4-26, B-4-28~B-4-29	STO	Needle roller bearing, track roller, yoke type, caged, crowned outer ring outer diameter, separable design, with inner ring, metric series .....	B-5-33
RNA49 RS	Heavy-duty needle roller bearing, caged, with integral flanges, lubricating groove and one lubricating hole in the outer ring, without inner ring, with one seal, metric series .....	B-4-31	STO. DZ	Needle roller bearing, track roller, yoke type, caged, cylindrical outer ring outer diameter, separable design, with inner ring, metric series .....	B-5-33
RNA49 .2RS	Heavy-duty needle roller bearing, caged, with integral flanges, lubricating groove and one lubricating hole in the outer ring, without inner ring, with two seals, metric series .....	B-4-31	STO. ZZ	Needle roller bearing, track roller, yoke type, caged, crowned outer ring outer diameter, with end washers, separable design, with inner ring, metric series .....	B-5-36
RNA69	Heavy-duty needle roller bearing, caged, with flanges (inserted or integral), lubricating groove and one lubricating hole in the outer ring, without inner ring (sizes with 40 mm and larger bores have two needle roller and cage assemblies), metric series .....	B-4-21~B-4-26, B-4-28	STO. ZZ.DZ	Needle roller bearing, track roller, yoke type, caged, cylindrical outer ring outer diameter, with end washers, separable design, with inner ring, metric series .....	B-5-36
RNAL11000	Needle roller bearing, track roller, yoke type, full complement, crowned outer ring outside diameter, without inner ring, metric series .....	B-5-44	TP	Thrust needle roller and cage assembly (without washers), two-piece cage, metric series .....	B-6-18
RNAO	Heavy-duty needle roller bearing without flanges, without inner ring, metric series .....	B-4-35~B-4-37	TPK J	Unitized needle roller thrust bearing, non-separable design, with one O.D. lipped thrust washer, metric series .....	B-6-23
RP	Radial needle roller and cage assembly, steel cage, metric series .....	B-1-31~B-1-40	TPK JL	Unitized needle roller thrust bearing, with non-separable washers, one I.D. lipped washer and one O.D. lipped washer, metric series .....	B-6-21
			TPK L	Unitized needle roller thrust bearing, non-separable design, with one I.D. lipped thrust washer, metric series .....	B-6-25



# NEEDLE ROLLER BEARINGS



CODE	DESCRIPTION	PAGE	CODE	DESCRIPTION	PAGE
TR	Thrust washer A, B, C, etc. indicates (A,B,C, etc) washer thickness, inch series.....	B-6-53~B-6-61	WRFU	Radial needle roller and cage assembly, double-row, half-caged, molded polymer cage, metric series.....	B-1-35
TRI	Thrust washer, shaft piloted, inch series.....	B-6-65	WRP	Radial needle roller and cage assembly, double-row, steel cage, metric series.....	B-1-37~B-1-40
TRID	Thrust washer, housing piloted, inch series.....	B-6-65	WRPU	Radial needle roller and cage assembly, double-row, half-caged, steel cage, metric series.....	B-1-36
TRJ	Thrust washer, shaft piloted, inch series.....	B-6-65	WRS	Radial needle roller and cage assembly, double-row, steel cage, metric series.....	B-1-33~B-1-41
TRJD	Thrust washer, housing piloted, inch series.....	B-6-65	WS.811, WS.812	Thrust washer, shaft piloted, metric series.....	B-6-13~B-6-15, B-6-39~B-6-41
TV	Thrust needle roller and cage assembly (without washers), one-piece cage, metric series.....	B-6-18	WS F	Thrust washer, heavy, metric series.....	B-6-19
TVK J	Unitized needle roller thrust bearing, non-separable design, with one O.D. lipped thrust washer, metric series.....	B-6-23	Y	Drawn cup needle roller bearing, full complement, open ends, inch series.....	B-2-62
TVK JL	Unitized needle roller thrust bearing, with non-separable washers, one I.D. lipped washer and one O.D. lipped washer, metric series.....	B-6-21	YM	Drawn cup needle roller bearing, full complement, open ends, metric series.....	B-2-41~B-2-42
TVK L	Unitized needle roller thrust bearing, non-separable design, with one I.D. lipped thrust washer, metric series.....	B-6-25	ZRO	Cylindrical roller, metric series.....	B-8-19
UR P	Radial needle roller and cage assembly for wrist pin applications, half-caged, metric series.....	B-1-53			
V	Radial needle roller and cage assembly, steel cage, metric series.....	B-1-31~B-1-41			
VE	Radial needle roller and cage assembly for crank pin applications, metric series.....	B-1-49~B-1-50			
VENN	Grease fitting for stud-type track rollers, metric series.....	B-5-14			
VEU	Radial needle roller and cage assembly for crank pin applications, half-caged, metric series.....	B-1-50			
VS	Radial needle roller and cage assembly, steel cage, metric series.....	B-1-31~B-1-36			
VS P	Radial needle roller and cage assembly for crank pin applications, metric series.....	B-1-49~B-1-50			
VU	Radial needle roller and cage assembly, half-caged, steel cage, metric series.....	B-1-33			
W F	Thrust washer, stamped, metric series.....	B-6-19			
WJ	Radial needle roller and cage assembly, single-row, heavy series, inch series.....	B-1-57~B-1-59			
WJC	Radial needle roller and cage assembly, single-row, inch series.....	B-1-57			
WR	Radial needle roller and cage assembly, double-row, steel cage, metric series.....	B-1-31~B-1-41			





**NOTES**



# GLOBAL NETWORK

## BEARING BUSINESS OPERATIONS

### JTEKT CORPORATION NAGOYA HEAD OFFICE

No.7-1, Meieki 4-chome, Nakamura-ku, Nagoya, Aichi 450-8515,  
JAPAN  
TEL : 81-52-527-1900  
FAX : 81-52-527-1911

### JTEKT CORPORATION OSAKA HEAD OFFICE

No.5-8, Minamisemba 3-chome, Chuo-ku, Osaka 542-8502,  
JAPAN  
TEL : 81-6-6271-8451  
FAX : 81-6-6245-3712

### Sales & Marketing Headquarters

No.5-8, Minamisemba 3-chome, Chuo-ku, Osaka 542-8502,  
JAPAN  
TEL : 81-6-6245-6087  
FAX : 81-6-6244-9007

## OFFICES

### KOYO CANADA INC.

5324 South Service Road, Burlington, Ontario L7L 5H5, CANADA  
TEL : 1-905-681-1121  
FAX : 1-905-681-1392

### JTEKT NORTH AMERICA CORPORATION

#### -Cleveland Office-

29570 Clemens Road, P.O.Box 45028, Westlake,  
OH 44145, U.S.A.  
TEL : 1-440-835-1000  
FAX : 1-440-835-9347

#### -Detroit Office-

47771 Halyard Drive, Plymouth, MI 48170, U.S.A.  
TEL : 1-734-454-1500  
FAX : 1-734-454-4076

### KOYO BEARINGS NORTH AMERICA LLC

#### -Canton Office-

4895 Dressler Road NW, Suite B, Canton, OH 44718, U.S.A  
TEL : 1-330-994-0900  
FAX : 1-330-994-0960

### KOYO MEXICANA, S.A. DE C.V.

Av. Insurgentes Sur 2376-505, Col. Chimalistac, Del. Álvaro  
Obregón, C.P. 01070, México, D.F.  
TEL : 52-55-5207-3860  
FAX : 52-55-5207-3873

### KOYO LATIN AMERICA, S.A.

Edificio Banco del Pacifico Planta Baja, Calle Aquilino de la  
Guardia y Calle 52, Panama, REPUBLICA DE PANAMA  
TEL : 507-208-5900  
FAX : 507-264-2782/507-269-7578

### KOYO ROLAMENTOS DO BRASIL LTDA.

Avenida Reboucas, 2472 Jardim America, CEP 05402-300 São  
Paulo, BRAZIL  
TEL : 55-11-3372-7500  
FAX : 55-11-3887-3039

### KOYO BEARINGS INDIA PVT. LTD.

C/o Stylus Commercial Services PVT LTD, Ground Floor, The  
Beech, E-1, Manyata Embassy Business Park, Outer Ring Road,  
Bengaluru-560045, INDIA  
TEL : 91-80-4276-4567 (Reception Desk of Service Office)  
FAX : 91-80-4276-4568

### JTEKT (THAILAND) CO., LTD.

172/1 Moo 12 Tambol Bangwua, Amphur Bangpakong,  
Chachoengsao 24180, THAILAND  
TEL : 66-38-830-571/578  
FAX : 66-38-830-579

### PT. JTEKT INDONESIA

d/a. MM2100 Industrial Town Block DD-3, Cikarang Barat, Bekasi  
17520, INDONESIA  
TEL : 62-21-8998-3273  
FAX : 62-21-8998-3274

### KOYO SINGAPORE BEARING (PTE.) LTD.

27, Penjuru Lane, #09-01 C&P Logistics Hub 2, SINGAPORE  
609195  
TEL : 65-6274-2200  
FAX : 65-6862-1623

### KOYO MIDDLE EAST FZCO

6EA 601, Dubai Airport Free Zone, P.O. Box 54816, Dubai,  
U.A.E.  
TEL : 97-1-4299-3600  
FAX : 97-1-4299-3700

### PHILIPPINE KOYO BEARING CORPORATION

6th Floor, One World Square Building, #10 Upper McKinley  
Road, McKinley Town Center Fort Bonifacio, 1634 Taguig City,  
PHILIPPINES  
TEL : 63-2-856-5046/5047  
FAX : 63-2-856-5045

### JTEKT KOREA CO., LTD.

Inwoo Building 6F, 539-11, Shinsa-dong, Gangnam-Gu, Seoul,  
KOREA  
TEL : 82-2-549-7922  
FAX : 82-2-549-7923

### JTEKT (CHINA) CO., LTD.

Room.25A2, V-CAPITAL Building, 333 Xianxia Road, Changning  
District, Shanghai 200336, CHINA  
TEL : 86-21-5178-1000  
FAX : 86-21-5178-1008

### KOYO AUSTRALIA PTY. LTD.

Unit 2, 8 Hill Road, Homebush Bay, NSW 2127, AUSTRALIA  
TEL : 61-2-8719-5300  
FAX : 61-2-8719-5333

### JTEKT EUROPE BEARINGS B.V.

Markerkant 13-01, 1314 AL Almere, THE NETHERLANDS  
TEL : 31-36-5383333  
FAX : 31-36-5347212

### -KOYO BENELUX BRANCH OFFICE-

Energieweg 10a, 2964LE, Groot-Ammers, P.O. Box 1, 2965ZG  
Nieuwpoort, THE NETHERLANDS  
TEL : 31-184606800  
FAX : 31-184606857

### -KOYO ROMANIA REPRESENTATIVE OFFICE-

Str. Dr. Lister nr. 24, ap. 1, sector 5, cod 050543, Bucharest,  
ROMANIA  
TEL : 40-21-410-4170/4182/0984  
FAX : 40-21-410-1178

### -Sosnowiec Branch Office-

ul.3 Maja14, 41-200 Sosnowiec, POLAND  
TEL : 48-32-720-1444  
FAX : 48-32-746-7746

### KOYO KULLAGER SCANDINAVIA A.B.

Johanneslundsvägen 4, 194 61 Upplands Väsby, SWEDEN  
TEL : 46-8-594-212-10  
FAX : 46-8-594-212-29

### KOYO (U.K.) LIMITED

Whitehall Avenue, Kingston, Milton Keynes MK10 0AX,  
UNITED KINGDOM  
TEL : 44-1908-289300  
FAX : 44-1908-289333

### KOYO DEUTSCHLAND GMBH

Bargkoppelweg 4, D-22145 Hamburg, GERMANY  
TEL : 49-40-67-9090-0  
FAX : 49-40-67-9203-0

### KOYO FRANCE S.A.

6 avenue du Marais, BP20189, 95105 Argenteuil, FRANCE  
TEL : 33-1-3998-4202  
FAX : 33-1-3998-4244/4249

### KOYO BEARINGS VIERZON MAROMME SAS

#### -Colmar Office-

1 rue Denis Papin, CS20035, 68025 Colmar Cedex, FRANCE  
TEL : 33-3-8977-9490  
FAX : 33-3-8977-9548

### KOYO IBERICA, S.L.

Avda.de la Industria, 52-2 izda 28820 Coslada Madrid, SPAIN  
TEL : 34-91-329-0818  
FAX : 34-91-747-1194

### KOYO ITALIA S.R.L.

Via Stephenson 43/a 20157 Milano, ITALY  
TEL : 39-02-2951-0844  
FAX : 39-02-2951-0954

## BEARING PLANTS

### KOYO BEARINGS CANADA INC.

4 Victoria Street, Bedford, Quebec J0J-1A0, CANADA  
TEL : 1-450-248-3316  
FAX : 1-450-248-4196

### KOYO CORPORATION OF U.S.A. (MANUFACTURING DIVISION)

#### -Orangeburg Plant-

2850 Magnolia Street, Orangeburg, SC 29115, U.S.A.  
TEL : 1-803-536-6200  
FAX : 1-803-534-0599

#### -Richland Plant-

1006 Northpoint Blvd., Blythewood, SC 29016, U.S.A.  
TEL : 1-803-691-4624/4633  
FAX : 1-803-691-4655

#### -Washington Plant-

146 Cutting Edge Court Telford, TN 37690, U.S.A.  
TEL : 1-423-913-1006  
FAX : 1-423-913-1008

### KOYO BEARINGS USA LLC

#### -Dahlonega Plant-

615 Torrington Drive Dahlonega, GA 30533, U.S.A.  
TEL : 1-706-864-7691  
FAX : 1-706-864-8258

#### -Cairo Plant-

2525 Torrington Drive, PO BOX 2449, Cairo, GA 39828, U.S.A.  
TEL : 1-229-377-6650  
FAX : 1-229-377-9760

#### -Sylvania Plant-

400 Friendship Road, Sylvania, GA 30467, U.S.A.  
TEL : 1-912-564-7151  
FAX : 1-912-564-2101

#### -Walhalla Plant-

430 Torrington Road, Po Box 100, Walhalla, SC 29691, U.S.A.  
TEL : 1-864-638-3683  
FAX : 1-864-638-2434

### JTEKT (THAILAND) CO., LTD.

172/1 Moo 12 Tambol Bangwua, Amphur Bangpakong,  
Chachoengsao 24180, THAILAND  
TEL : 66-38-830-571/578  
FAX : 66-38-830-579

### KOYO MANUFACTURING (PHILIPPINES) CORP.

Lima Technology Center, Municipality of Malvar, Batangas  
Province 4233, PHILIPPINES  
TEL : 63-43-981-0088  
FAX : 63-43-981-0001

### KOYO JICO KOREA CO., LTD.

28-12, Yulpo-Ri, Koduc-Myun, Pyung Teak-City, Kyungki-Do, KOREA  
TEL : 82-31-668-6381  
FAX : 82-31-668-6384

### KOYO BEARING DALIAN CO., LTD.

No.II A-2 Dalian Export Processing Zone, Dalian City, Liaoning,  
CHINA  
TEL : 86-411-8731-0972/0974  
FAX : 86-411-8731-0973

### WUXI KOYO BEARING CO., LTD.

No.89 Dicut Road, Liyuan Economic Development Zone, Wuxi,  
Jiangsu, CHINA  
TEL : 86-510-85161901  
FAX : 86-510-85161143

### KOYO NEEDLE BEARINGS (WUXI) CO., LTD.

No.85 Dicut Road, Liyuan Economic Development Zone, Wuxi,  
Jiangsu, 214072 P.R. CHINA  
TEL : 86-51085160998  
FAX : 86-51085163262

### DALIAN KOYO WAZHOU AUTOMOBILE BEARING CO., LTD.

No.96, Liaohe East Road, Dalian, D.D Port, CHINA  
TEL : 86-411-8740-7272  
FAX : 86-411-8740-7373

### KOYO LIOHO (FOSHAN) AUTOMOTIVE PARTS CO., LTD.

No.12, Wusha Section Of Shunpan Road, Daliang Town, Shunde  
Of Foshan, Guandong Province, CHINA  
(SHUNDE INDUSTRIAL PARK)  
TEL : 86-757-22829589  
FAX : 86-757-22829586

### KOYO AUTOMOTIVE PARTS (WUXI) CO.,LTD.

B6-A Wuxi National Hi-Tech Industrial Development Zone, Wuxi,  
Jiangsu, CHINA  
TEL : 86-510-8533-0909  
FAX : 86-510-8533-0155

### KOYO BEARINGS (EUROPE) LTD.

P.O.Box 101, Elmhirst Lane, Dodworth, Barnsley,  
South Yorkshire S75 3TA, UNITED KINGDOM  
TEL : 44-1226-733200  
FAX : 44-1226-204029

### KOYO ROMANIA S.A.

Turnu Magurele Street No.1, 140003, ALEXANDRIA Teleorman  
County, ROMANIA  
TEL : 40-247-306-400  
FAX : 40-247-306-421

### KOYO BEARINGS DEUTSCHLAND GMBH

Werkstrasse 5, D-33790 Halle (Westfalen), GERMANY  
TEL : 49-5201-7070  
FAX : 49-5201-707416

### KOYO BEARINGS VIERZON MAROMME SAS

#### -Maromme Plant-

Zone Industrielle de LA-BP 1033, 7 Rue Ampere, Maromme,  
76151, FRANCE  
TEL : 33-23282-3838  
FAX : 33-23576-6624

#### -Vierzon Plant-

61 Route de Foecy-BP 238, Vierzon Cedex, 18102 FRANCE  
TEL : 33-24852-6200  
FAX : 33-24852-6250

### KOYO BEARINGS MOULT SAS

Zone Industrielle de Moul, 14370, FRANCE  
TEL : 33-23127-9600  
FAX : 33-23123-4693

### KOYO BEARINGS ČESKÁ REPUBLIKA S.R.O.

Pavelkova 253/5, Bystrovany, Olomouc, 77900, CZECH REP  
TEL : 42-585-126-501  
FAX : 42-585-126-503

### KOYO BEARINGS ESPAÑA S.A.

Doctor Diaz Empanza, 3, Bilbao, 48002, SPAIN  
TEL : 34-94-4431400  
FAX : 34-94-4440905

## TECHNICAL CENTERS

### JTEKT CORPORATION NORTH AMERICAN TECHNICAL CENTER

47771 Halyard Drive, Plymouth, MI 48170, U.S.A.  
TEL : 1-734-454-1500  
FAX : 1-734-454-4076

### JTEKT RESEARCH AND DEVELOPMENT CENTER (WUXI) CO., LTD.

No.801 Hong Qiao Road, Li Yuan Economic Development Zone,  
Wuxi Jiangsu 214072, CHINA  
TEL : 86-510-8589-8613  
FAX : 86-510-8589-8698

### JTEKT CORPORATION EUROPEAN TECHNICAL CENTER

Markerkant 13-02, 1314 AL Almere, THE NETHERLANDS  
TEL : 31-36-5383350  
FAX : 31-36-5302656

### KOYO BEARINGS USA LLC

#### GREENVILLE TECHNOLOGY CENTER

7 Research Drive, Greenville, SC 29607, U.S.A.  
TEL : 1-864-770-2100  
FAX : 1-864-770-2399

### KOYO BEARINGS DEUTSCHLAND GMBH

#### KUENSEBECK TECHNOLOGY CENTER

Werkstrasse 5, D-33790 Halle (Westfalen), GERMANY  
TEL : 49-5201-7070  
FAX : 49-5201-707416

### KOYO BEARINGS ČESKÁ REPUBLIKA S.R.O.

#### BRNO TECHNOLOGY CENTER

Technologicky Park Brno, Technicka 15, 61600 Brno, 61600  
CZECH REP  
TEL : 420-541-191803  
FAX : 420-541-191801

**Koyo**<sup>®</sup>

**Needle Roller Bearings**

**Value & Technology**



**JTEKT**

JTEKT CORPORATION

**CAT. NO. B2018E-1**  
Printed in Japan '13.6-15BDS ('13.3)