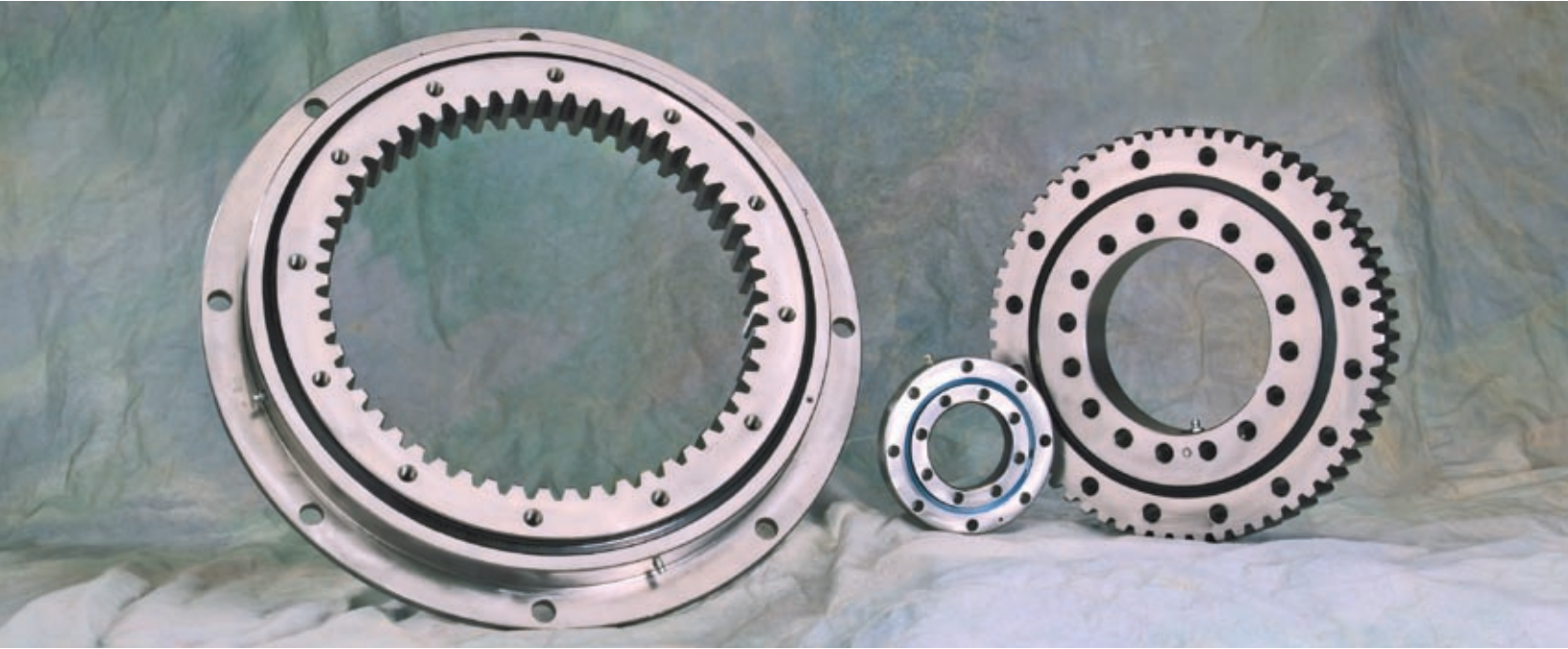


CATALOG 390

# SLEWING RING TURNTABLE BEARINGS



TURNING IDEAS INTO ENGINEERED SOLUTIONS



An engineering & product selection guide for turntable bearings

[www.kaydonbearings.com](http://www.kaydonbearings.com)





## **Slewing Ring / Turntable Bearing Reference Guide**

### **Divisional Office**

2860 McCracken Street  
Muskegon, MI 49441

**Tel:** +1 (231) 755-3747

**Fax:** +1 (231) 759-4102

### **Customer Service**

Toll Free 800-514-3066

# Table of Contents

|   | <b>Page<br/>Number</b> |
|---|------------------------|
| <b>Section 1— Introduction &amp; Overview</b> .....       | <b>3</b>               |
| • Introduction  |                        |
| • Product Overview/Selection Guide                        |                        |
| • Application Images                                      |                        |
| <b>Section 2— Technical Information &amp; Guide</b> ..... | <b>12</b>              |
| • Application & Load Analysis                             |                        |
| • Bearing Features  |                        |
| <b>Section 3— Installation &amp; Maintenance</b> .....    | <b>23</b>              |
| • Design Considerations (for the equipment designer)      |                        |
| • Installation Instructions (for the equipment builder)   |                        |
| • Maintenance Instructions (for the equipment user)       |                        |
| • Appropriate Grease Lubricants                           |                        |
| <b>Section 4— Bearings Tables &amp; Ratings</b> .....     | <b>45</b>              |
| • Glossary  |                        |
| • RK Series Four-Point Contact                            |                        |
| • HS Series Four-Point Contact                            |                        |
| • HT Series Four-Point Contact                            |                        |
| • MT Series Four-Point Contact                            |                        |
| • Pinions for RK, HS & MT Series                          |                        |
| • KH Series Four-Point Contact                            |                        |
| • XT Series Four-Point Contact                            |                        |
| • DT Series Eight-Point Contact                           |                        |
| • XR Series Cross Roller                                  |                        |
| • TR Series Three-Row Roller                              |                        |
| <b>Section 5— Specialty Products &amp; Services</b> ..... | <b>114</b>             |
| • WireX® Wire Race Bearings                               |                        |
| • Custom Bearings   |                        |
| • Remanufacturing Program                                 |                        |
| • Endurakote® Plating                                     |                        |
| <b>Section 6— Appendix &amp; Sales Information</b> .....  | <b>122</b>             |
| • Specification Data Sheets                               |                        |
| • Kaydon Website  |                        |
| • Kaydon Literature                                       |                        |
| • Warranty & Legal Information                            |                        |



The design and application information contained in this catalog is for illustration only. Responsibility for the application of the products contained in this catalog rests solely with the equipment designer or user. In spite of our best efforts, the material contained in this catalog may contain inaccuracies and typographical errors.

# Introduction

Nobody makes more advanced custom bearings than KAYDON®. Kaydon has been one of North America's leading producers of large diameter ball and roller bearings since it was established in 1941, and is considered one of the pioneers of large bearing technology.

## Engineering Capability

In addition to a range of catalog turntable bearings, Kaydon can provide a wide range of custom manufactured bearings to meet your specifications. Upon request, Kaydon's experienced and knowledgeable professionals can provide engineering expertise and analysis in a wide variety of areas. Our engineering team uses current computer technology supported by advanced resources to analyze the most challenging specifications. With these resources we are able to rapidly provide cost-effective solutions that will meet your demanding specifications. The breadth of our product line will allow you to select the appropriate bearing type to suit your requirements.

## Manufacturing

Kaydon is able to produce bearings up to 20 feet outside diameter using the most modern facilities and equipment in the industry. The fully integrated manufacturing facilities enable Kaydon to have complete control over all aspects of quality and provide effective scheduling to meet customer requirements. Continuing expansion and manufacturing versatility have led to our position as a leading supplier of all types and sizes of bearings for a variety of load combinations. Manufacturing flexibility allows us to produce small quantity orders to meet your needs.

## Coatings

To enhance corrosion resistance, KAYDON® has the capability to provide a painted surface, a zinc thermal spray coating, or other coatings as specified by the customer. Additionally, we offer ENDURAKOTE® plating which provides corrosion resistance and is effective in increasing wear resistance in sliding surface contacts.

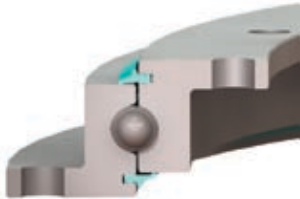
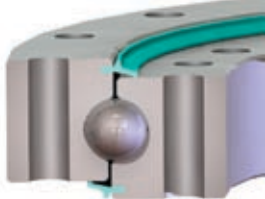
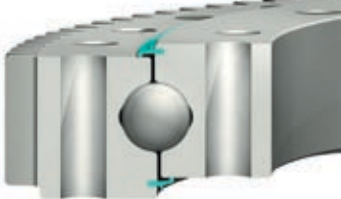



## Quality

The Kaydon quality assurance program meets the requirements of ISO 9001:2000 in addition to many other stringent military and government requirements. Kaydon uses methodologies such as Six Sigma and Lean Manufacturing to maintain world-class operations. These support our commitment to establish and maintain an environment of continuous improvement. Product quality is further ensured by testing and measuring using the latest technology which allows us to meet the stringent requirements of our customers.

## Support Network

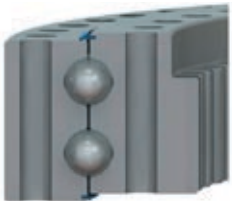
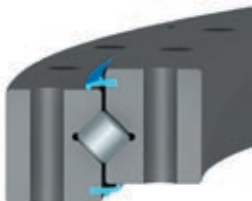
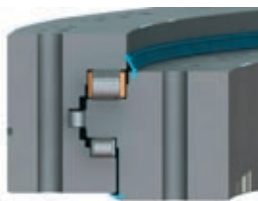



From design to final delivery, a dedicated customer service team is available to support you all the way through the process. Kaydon has a strong team of highly trained field personnel to support both our direct customers and our extensive distribution network. Our experienced engineers are also available to provide on-site trouble-shooting and installation support as requested and appropriate. Worldwide, we have service facilities in strategic areas to provide the full technical and sales support that our customers deserve and expect.

# Product Overview and Selection Guide

| RK Series  | HS HT MT & KH Series   | XT Series   |
|--|--|---|
|   |   |    |
| <b>Design</b>  |  |   |
| <ul style="list-style-type: none"> <li>• Four-Point Contact Ball</li> <li>• Flanged cross-section on non-gear rings</li> <li>• Internal, external, and non-gear versions available from stock</li> </ul>   | <ul style="list-style-type: none"> <li>• Four-Point Contact Ball</li> <li>• Rectangular cross-section</li> <li>• KH Series are preloaded with precision runouts</li> <li>• External and non-gear versions available from stock</li> </ul>              | <ul style="list-style-type: none"> <li>• Four-Point Contact Ball</li> <li>• Wide range of diameters and various cross-sections</li> <li>• More capacity potential than RK &amp; MT Series due to size</li> <li>• Internal, external, and non-gear versions</li> </ul> |
| <b>Size</b>  |  |   |
| • 20" to 47" OD  | • 4" to 66" OD   | • Up to 240" OD   |
| <b>Potential Capacities</b>  |  |   |
| <ul style="list-style-type: none"> <li>• Moment – 141,000 ft-lbs</li> <li>• Thrust – 175,000 lbs</li> <li>• Radial – 35,000 lbs</li> </ul>   | <ul style="list-style-type: none"> <li>• Moment – 900,000 ft-lbs</li> <li>• Thrust – 1,150,000 lbs</li> <li>• Radial – 230,000 lbs</li> </ul>  | <ul style="list-style-type: none"> <li>• Moment – 10,000,000 ft-lbs</li> <li>• Thrust – 6,000,000 lbs</li> <li>• Radial – 1,300,000 lbs</li> </ul>  |
| <b>Typical Applications</b>  |  |   |
| <ul style="list-style-type: none"> <li>• Small cranes</li> <li>• Industrial positioners</li> <li>• Rotary tables</li> <li>• Rotating displays</li> <li>• Bottling machines</li> <li>• Conveyors</li> </ul> | <ul style="list-style-type: none"> <li>• Cranes and Manipulators</li> <li>• Aerial lifts</li> <li>• Wind turbines</li> <li>• Position/Index tables</li> <li>• Radar &amp; Satellite antennas</li> <li>• Robots</li> <li>• Medical equipment</li> </ul> | <ul style="list-style-type: none"> <li>• Cranes</li> <li>• Aerial lifts</li> <li>• Excavators</li> <li>• Wind turbines</li> <li>• Utility derricks</li> <li>• Log loaders &amp; fellers</li> <li>• Feller Heads</li> </ul>  |
| <b>Sample Application</b>  |  |   |
|  <p data-bbox="228 1955 423 1982" style="text-align: center;"><b>Bottling Machine</b></p>                               |  <p data-bbox="751 1955 821 1982" style="text-align: center;"><b>Robot</b></p>  |  <p data-bbox="1190 1955 1304 1982" style="text-align: center;"><b>Excavator</b></p>   |



# Product Overview and Selection Guide

| DT Series   | XR Series   | TR Series  |
|---|---|--|
|    |    |   |
| Design  |   |  |
| <ul style="list-style-type: none"> <li>• Eight-Point Contact Ball</li> <li>• Two matched rows of four-point balls</li> <li>• Potentially 80% more capacity than four-point of a given diameter</li> <li>• Rectangular cross-section</li> <li>• Internal, external, or non-gear</li> </ul> | <ul style="list-style-type: none"> <li>• Cross Roller</li> <li>• Single row of rollers having alternating orientation</li> <li>• Greater stiffness and dynamic capacity than a four-point contact bearing</li> <li>• Internal, external, or non-gear</li> </ul> | <ul style="list-style-type: none"> <li>• Three-Row Roller</li> <li>• Three independent rows of rollers, oriented for optimal performance</li> <li>• Greatest stiffness and capacity for a given diameter</li> <li>• Internal, external, or non-gear</li> </ul> |
| Size  |   |  |
| <ul style="list-style-type: none"> <li>• Up to 240" OD</li> </ul>   | <ul style="list-style-type: none"> <li>• Up to 240" OD</li> </ul>   | <ul style="list-style-type: none"> <li>• Up to 240" OD</li> </ul>  |
| Potential Capacities  |   |  |
| <ul style="list-style-type: none"> <li>• Moment – 20,000,000 ft-lbs</li> <li>• Thrust – 9,000,000 lbs</li> <li>• Radial – 2,000,000 lbs</li> </ul>  | <ul style="list-style-type: none"> <li>• Moment – 7,000,000 ft-lbs</li> <li>• Thrust – 3,000,000 lbs</li> <li>• Radial – 1,400,000 lbs</li> </ul>   | <ul style="list-style-type: none"> <li>• Moment – 50,000,000 ft-lbs</li> <li>• Thrust – 18,000,000 lbs</li> <li>• Radial – 4,000,000 lbs</li> </ul>  |
| Typical Applications  |   |  |
| <ul style="list-style-type: none"> <li>• Excavators</li> <li>• Large cranes</li> <li>• Marine cranes</li> <li>• Wind turbines</li> <li>• Telescopes</li> <li>• Mining equipment</li> </ul>  | <ul style="list-style-type: none"> <li>• Radar &amp; satellite antennas</li> <li>• Turrets</li> <li>• Machine tools</li> <li>• Excavators</li> </ul>  | <ul style="list-style-type: none"> <li>• Radar &amp; satellite antennas</li> <li>• Cranes</li> <li>• Excavators</li> <li>• Stackers and reclaimers</li> <li>• Heavy mill equipment</li> <li>• Mining equipment</li> </ul>                                      |
| Sample Application  |   |  |
|  <p data-bbox="289 1969 456 1995">Wind Turbines</p>  |  <p data-bbox="769 1969 894 1995">Tank Turret</p>   |  <p data-bbox="1208 1969 1378 1995">Radar Antenna</p>   |

# Applications - Wind Energy





# Applications - Medical



Photos Courtesy of Varian Medical Systems

# Applications - Heavy Equipment







# Applications - Machinery



FMC Jetway Apron Drive Passenger Boarding Bridge. © 2007 Photo by P.Michaud. Courtesy of FMC Technologies, Jetway.



# Applications - Military



Image Courtesy of US Army.



Image Courtesy of US Army.



Image Courtesy of US Army.



Image Courtesy of US Navy.



# Section 2 Contents

## Technical Information & Guide

|                          | <b>Page<br/>Number</b> |
|--------------------------|------------------------|
| <b>Function .....</b>    | <b>13</b>              |
| <b>Selection .....</b>   | <b>13</b>              |
| <b>Application .....</b> | <b>14</b>              |
| <b>Features .....</b>    | <b>18</b>              |
| <b>Properties .....</b>  | <b>20</b>              |

# Technical Information & Guide

## FUNCTION OF A TURNTABLE BEARING

A bearing serves as a connection between two adjacent structures, allowing rotation and transmission of load between them. In addition to satisfying this requirement, a turntable bearing typically includes features for simple and quick attachment to those adjacent structures, and commonly a feature to facilitate the mechanical rotation of one ring and its adjoining structure relative to the other.

Kaydon turntable bearings described in this catalog are typically used in applications where their ability to transmit relatively high loads is of primary importance. However, other potential application requirements such as rotational speed, protection from contamination, accuracy, frictional resistance, and the temperature range of the operating environment could have a significant impact in the selection of an appropriate turntable bearing.

The following sections discuss application criteria and provide a guideline for selecting a turntable bearing.



Upon request, KAYDON® is available to assist in the selection of a KAYDON® turntable bearing. If such assistance is requested, we suggest that you complete the SPECIFICATION DATA SHEET found in Section 6.

## SUGGESTED SELECTION PROCEDURE

1. Review the following APPLICATION INFORMATION section before proceeding with bearing selection. The APPLICATION INFORMATION section is a guide for selecting a bearing used in a NORMAL APPLICATION as defined on page 16.
2. Determine the maximum bearing loads. These loads must include all dynamic and static loads imposed on the bearing. The loads in turn must be transposed to loads acting at the bearing's center. See Figure 2-1.

Some specific items to consider are:

- All applied forces to the bearing and gear. Not only the rated and working loads but also those that may occur when equipment is at rest, such as that due to wind for larger structures.
- Loads imposed during overload or testing situations.

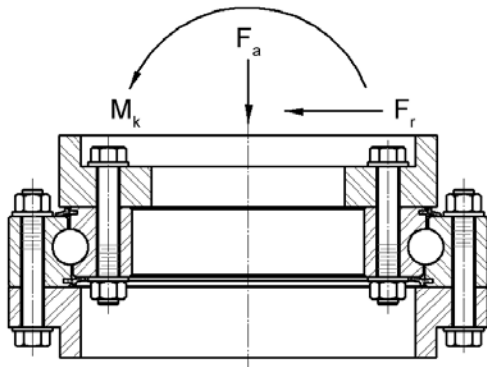
- Loads imposed during assembly or disassembly.
  - Weights of all members of the structure which are supported by the bearing.
  - All possible combinations of maximum loads. A crane, for example, usually has a number of conditions of load versus working radii, both during use and at time of overload testing.
3. Multiply the calculated loads by the applicable service factor: See page 17.
  4. If an integral gear is desired, determine the required gear capacity. As with the bearing loads, consideration must be given to all conditions that would generate potential gear loads; some examples include those while working, static, on incline, and overload testing. One must also consider the duty cycle at each of these conditions. See discussion about Torque on page 15 for assistance in determining bearing rotational resistance.
  5. Determine the preferred mounting arrangement, considering the pinion and gear location as well as installation and continued maintenance of the bearing and retaining bolts. See Section 3.
  6. Refer to the Product Overview and Selection Guide on pages 4&5, and then the individual bearing style sections for potential bearings.
  7.  Make a preliminary selection by comparing the previously calculated bearing loads, including service factor, to the bearing's load rating curve. Ensure that all load combinations are below the curve. In many cases there will be a choice of several bearings meeting the required load ratings.
  8. If applicable, check the gear rating of the selected bearing.
  9.  Confirm that the mounting bolts, mounting plates, and joint arrangements are suitable for the installation. See pages 32 to 34.
  10. The bearing you select must meet your design requirements.

# Technical Information & Guide

## APPLICATION INFORMATION

### LOAD

A turntable bearing can be designed for use in applications where loads originate from a single direction or multiple directions relative to its axis of rotation. All of these loads can be resolved into four resultant loads acting on, about, or through the bearing's center. They are referred to as radial, axial, moment and torque. These are used to evaluate the size and capacity of the bearing and integral gear if one is incorporated. Three of these loads are visually depicted in Figure 2-1. The fourth, torque, acts in a manner as to try to rotate one of the bearing rings relative to the other.




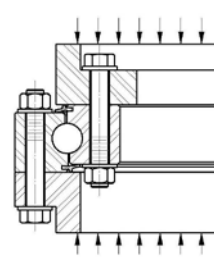
**RESULTANT FORCES ACTING ON OR ABOUT BEARING**  
**FIGURE 2-1**

Load originated by the equipment and work being conducted is transmitted to the bearing through the mounting structure and mounting bolts. While turntable bearings have the ability to accept all types of load combinations, they are primarily designed for loads aligned parallel to the bearing's axis of rotation. These axial or thrust loads originate from a source located at a distance from the bearing's axis of rotation and also generate a moment load about the bearing's center.

Typically, axial loads are applied in a manner that would tend to compress the bearing faces toward each other. See Figure 2-2. Such loads are distributed uniformly around the mounting structures and surface area of the mating bearing rings, permitting a more even load distribution to the rolling elements within.

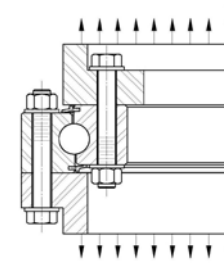
The result is a lower stress level on all components involved in the transmission of the load.

 When the axial load is "suspended" from the bearing, it is concentrated predominantly in a smaller area around the bolts. This is a critical difference that must be considered in the design. See Figure 2-3.



**COMPRESSION  
AXIAL LOAD**

**Figure 2-2**



**TENSION (SUSPENDED)  
AXIAL LOAD**

**Figure 2-3**

A load aligned perpendicular to the bearing's axis of rotation is referred to as radial. When the radial load originates from a source located above or below the bearing's rolling elements, it generates a moment load about the bearing's center. In applications where radial load is significant (defined as greater than 10% of any axial load) or the predominant load, our standard turntable bearings may require modified contact angles, ball separators, mounting hole configurations, or the addition of piloting diameters to accommodate these forces.

### SPEED

Turntable bearings are generally used where rotational speed is slow, intermittent, and oscillatory. The permissible speed limits for various Kaydon turntable bearings are shown on page 20.

### ACCURACY

The typical turntable bearing application does not require accurate positioning of the rotating structure relative to the stationary one. Therefore all bearings shown in this catalog, excluding the KH Series, are not supplied with diameter tolerances to permit accurate and repetitive positioning.

# Technical Information & Guide

Some applications require a high degree of accuracy and are dependent on the bearing to achieve it. Early consultation with Kaydon® can lead to use of a turntable bearing furnished with the features necessary to provide the accuracy and repetitive positioning needed. Should a mechanical drive be required, making it integral to the bearing reduces the number of components involved, decreasing tolerance build-up that adversely affects accuracy.

## TORQUE

In most applications of large-diameter bearings, the force required to overcome bearing friction, or resistance to rotation, is small compared to that required to overcome the inertia of the mass being supported provided the bearing is properly mounted and contains the standard internal clearance. Bearings include a minimal amount of clearance to minimize the possibility of tight spots resulting from ordinary imperfections in the mounting. Refer to Section 3 for detailed discussion. A bearing distorted by out-of-flat or out-of-round mounting surfaces may require an excessive amount of turning torque. The same is true for a bearing mounted on a structure which deflects locally under load. Other primary factors affecting bearing friction include contact angle, separator, seals and lubricant.

For relatively small loads, the turntable bearing may be rotated manually. However, for applications that involve high loads and torque or where manual rotation is undesirable or impractical, a mechanical means of rotating the bearing and desired mating member can usually be accommodated.

Features allowing mechanical rotation of the equipment include gears, sprockets, v-grooves, and timing belt teeth integral to one of the turntable bearing rings. The most common solution is to incorporate a gear on one of the turntable bearing rings as reflected in various bearing series throughout this catalog. This practice eliminates the need for a separate gear and the additional cost and installation requirements associated with it.

## ENVIRONMENT

Turntable bearings are suitable for use indoors or outdoors, where conditions consist of indirect exposure to moisture and contamination, and the temperatures range from -40°F to +140°F (-40°C to +60°C). Operation beyond these temperature extremes may require changes of lubrication and non-metallic material used in the standard turntable

bearings. Operation in very dirty or wet environments may require use of additional seals or shields on the mounting structure to limit exposure of the bearing.

## Coatings

To enhance corrosion resistance, KAYDON® has the capability to provide a painted surface, a zinc thermal spray coating, or other coatings as specified by the customer. Additionally, we offer ENDURAKOTE® plating which provides corrosion resistance and is effective in increasing wear resistance in sliding surface contacts.

## MOUNTING ARRANGEMENT

A widely used method of attaching turntable bearings is to bolt through both races with fasteners spaced uniformly around the entire mounting face. It is recognized, however, that the equipment designer cannot always accommodate this type of arrangement and may require tapped holes and even special bolt patterns for assembly and maintenance reasons.



The designer is responsible for the mounting arrangement and validating the design.

Weld rings are another option for attaching one of the turntable bearing rings to its mating structure. The bearing is furnished with a low carbon steel weld ring or band welded to one race. The weld ring can then be welded to the machine without damage to the bearing, provided proper precautions are taken. As the use of weld rings is infrequent, they are not addressed in this catalog. For such designs contact KAYDON®.



Welding the bearing, or welding near the bearing, can damage the bearing.

## LUBRICATION

Grease is the typical lubricant used for turntable bearings. Periodic application of fresh lubricant into the bearing is required to reduce friction and wear, provide corrosion protection, displace contaminants, and enhance performance of the seals. One or more grease fittings or lubrication holes are provided in all turntable bearings for this purpose. Additional lube fittings or holes may be required and can be furnished on request.

Whenever the turntable bearing has an integral gear, it too requires periodic application of grease for optimum performance. For further discussion of lubrication see page 44 (Section 3).

# Technical Information & Guide

## NORMAL APPLICATION

Special attention must be given to bearing selection whenever application conditions are different from those considered normal. For a “normal application” of turntable bearings, the following conditions should apply:

- Vertical axis of rotation
- Predominant compressive thrust and moment loading
- Radial load not in excess of 10% of the thrust load
- Intermittent rotation with pitch line velocity limited to 500 fpm for single row bearings and 300 fpm for multi-row bearings as shown in this catalog
- Operating temperature within -40°F to +140°F (-40°C to +60°C)
- Mounting surfaces machined and reinforced to limit deviation from a true plane to the levels indicated on pages 25 to 31, Figures 3-1 to 3-9
- Installation procedure to assure roundness of both races, such as by applying a centered thrust load while tightening the bolts using the alternating star pattern (see Section 3)
- Provision for periodic lubrication
- Provision for periodic checking of mounting bolts to verify their proper tension

## SERVICE FACTORS

Refer to Table 2-4 for the appropriate application service factor. The load rating curves shown in this catalog have an application service factor of 1.00. To determine the required bearing rating, multiply the application service factor by the applied loads on the bearing.

Application service factors are based on a number of considerations, but primarily the frequency of use at higher vs. normal loads and potential for extreme or overload. If the intended equipment and application do not appear in Table 2-4, for initial sizing select a comparable application. If there is a question concerning this selection, contact KAYDON®. If the application involves more frequent operation than indicated in the above paragraphs and definitive duty cycles for loads, speeds, and oscillation are available, complete and submit the Specification Data Sheet in Section 6. For such applications, the fatigue life of both the bearing and gear may dictate the designs required, and service factors should not be the sole criterion used for selection of a turntable bearing.

There is no industry-wide standard for rating the capacity of turntable bearings. As a result, it is not uncommon for bearing vendors' ratings and service factors to vary and still result in the same approximate bearing design and size for a given application. Also, these factors may be superseded by customer specification, FEA (Finite Element Analysis) classifications, or regulations by certifying authorities.



The equipment designer is responsible for determining the correct service factor. This can be done with the suggestions from and assistance of KAYDON®, upon request.



# Technical Information & Guide

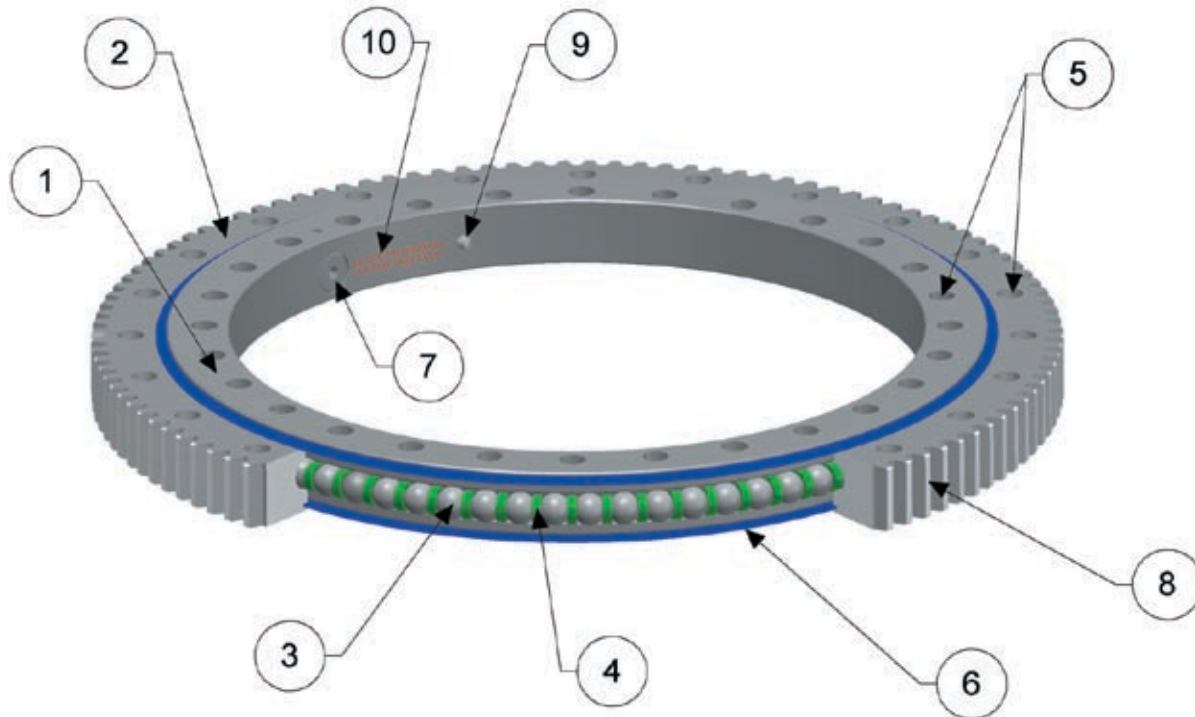
## TABLE 2-4 - SERVICE FACTORS

| Application   | Service Factor       |
|---|----------------------|
| <b>Aerial Lift Devices</b> – Aerial baskets, platforms, ladders, etc.               | 1.00                 |
| <b>Amusement Rides</b>  | Alternate Criteria * |
| <b>Conveyors</b>  | 1.00                 |
| <b>Cranes</b>   |                      |
| Mobile - (loads limited by machine stability)                                       |                      |
| Normal construction duty (tire mounted)   | 1.00                 |
| Normal construction duty (crawler mounted)  | 1.10                 |
| Production duty such as scrap and ship yards  | 1.25                 |
| Forestry handling (logging)   | 1.50                 |
| Stacker cranes (must include dynamic forces as loads)                               | 1.25                 |
| Pedestal or Tower - (loads not limited by machine stability)                        |                      |
| Loads continually monitored by safe load device                                     | 1.25                 |
| Applications with risk of sudden impact load application                            | 1.50                 |
| Offshore  | Alternate Criteria * |
| <b>Excavators</b>   |                      |
| Load limited by tipping   | 1.25                 |
| Load limited by hydraulic pressure relief   | 1.50                 |
| Stacker - Reclaimer   | Alternate Criteria * |
| Tunnel Boring Machine   | Alternate Criteria * |
| <b>Hook and Grab Rotators for Cranes</b>  | Alternate Criteria * |
| <b>Index and Turnstile Tables</b> – (include any shock loads for evaluation)        |                      |
| Occasional use with intermittent rotation   | 1.00                 |
| Frequent use with intermittent rotation   | 1.25                 |
| Frequent use with intermittent rotation and impact loads                            | 1.50                 |
| Continuous rotation   | Alternate Criteria * |
| <b>Ladle Turrets and Ladle Cars</b>   | Alternate Criteria * |
| <b>Industrial Manipulators and Robots</b>   |                      |
| Occasional service  | 1.00                 |
| Frequent service  | 1.25                 |
| Continuous service  | Alternate Criteria * |
| <b>Steering Gear</b> – (must include dynamic and shock loads due to transit forces) |                      |
| Pneumatic Tires   | 1.25                 |
| Solid Tires   | 1.50                 |
| <b>Water Treatment Clarifiers, Thickeners, and Rotary Distributors</b>              | Alternate Criteria * |
| <b>Wind Turbines</b>  | Alternate Criteria * |

\* As this application involves additional criteria, it requires use of an alternative method for evaluation and selection of the turntable bearing.

# Technical Information & Guide

## TURNTABLE BEARING FEATURES



### INNER AND OUTER RINGS (1 and 2)

The bearing consists of an inner and outer ring made of medium carbon steel. Each includes at least one precision raceway arranged to transfer loads and relative motion from one structure of the equipment to the other. The raceways are selectively hardened to the required surface and depth necessary to transmit high stresses imposed during operation of the equipment. Figure 2-5 reflects the typical hardness patterns of four-point ball (RK, HS, HT, MT, KH, and XT Series) and cross roller (XR Series) bearings. Multiple row bearings (DT and TR Series) receive similar treatment in their highly stressed raceways. In one location around the raceway, there is an unhardened area referred to as the hardness gap or “soft spot.” This area is relieved to minimize the ability of the rolling element to apply stress on it. Only one side of each ring is manufactured to be mated with the supporting structure. One or both rings may include an integral drive mechanism such as gear or sprocket teeth to enable the mechanical advantage necessary to overcome rotational resistance and provide relative motion through the bearing.

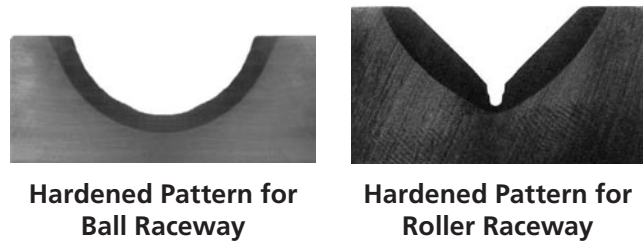


Figure 2-5

### ROLLING ELEMENTS (3)

Precision rolling elements enable relative rotation and transmit load between the inner and outer rings. Hardened chrome alloy steel balls or rollers may serve as the rolling elements. They are sized appropriately for the anticipated stresses and closely matched to provide uniform load distribution between the rings and minimize rotational resistance.

# Technical Information & Guide

## SPACERS (4)


Spacers separate the rolling elements and are designed to minimize friction, skidding, and jamming during rotation. These conditions occur as a result of load distribution and distortion of the mounting structures and bearing rings during operation of the equipment. Spacers are generally made of a plastic material compatible with typical lubricants and operating environments.

Occasionally for ball bearings, a ball of smaller size is placed between the larger load-carrying balls instead of a spacer. These are referred to as “spacer balls” and can provide a solution to a unique condition specific to a particular application. Where the application warrants, a separator is used in place of the spacers or spacer balls.

## MOUNTING HOLES (5)

The ideal hole pattern for attaching both rings of the turntable bearing is a full circle of uniformly spaced through holes. It is recognized, however, that the equipment designer cannot always accommodate this type of arrangement and may require tapped holes and even special bolt patterns in one or both rings for assembly and maintenance reasons.

KAYDON® has accommodated these special mounting requirements. Samples of these options are shown in Figure 2-6.

 The equipment designer, manufacturer, or user is responsible for determining if the mounting design is adequate. Some methods employed in making this determination are to perform analysis and then tests to evaluate and validate the structure, fasteners, and joint for adequate strength and integrity to sustain the maximum and all repetitive loads possible.

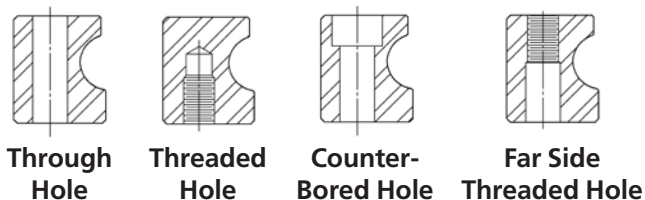



Figure 2-6

## SEALS (6)

A seal is included on each side of KAYDON® turntable bearings for retention of lubricant and protection of the bearing from dust and small particle contamination. The seals are made of an elastomer material compatible with most general purpose lubricants having mineral oil and greases using lithium or calcium thickeners. If conditions require different sealing, KAYDON® can provide details of additional options upon request.

## LOADING (FILLER) PLUG (7)

The rolling elements in KAYDON® bearings may be inserted through a hole drilled radially through the non-gear race and then plugged. The plug is retained mechanically with a pin to assure proper orientation is maintained. TR Series bearings, however, do not have a loading plug as they require one of the rings be split for assembly of all the rolling elements.

 Removal of the load plug voids the warranty.

## GEAR (8)

Turntable bearings can be supplied with gear teeth as an integral part of either the inner or outer ring. They are typically a standard full depth or stub involute spur gear having a 20° pressure angle with provision for backlash and conforming to AGMA Q6 quality.

However, where required, modifications of the basic tooth forms, pressure angles, and quality can be provided. For assembly purposes, the maximum point of gear runout is identified with paint. Alternative methods may be applied upon request.

## GREASE FITTING (9)

At least one grease fitting is supplied in one of the bearing rings for periodic lubrication of the raceway and internal components. On designs with integral gear teeth, it is located in the non-gear ring. The number supplied typically increases with bearing diameter. More or less may be included upon request.

## IDENTIFICATION (10)

Identification consists of the bearing part number and serial number. This information is located next to the filler plug.

# Technical Information & Guide

## TURNTABLE BEARING PROPERTIES

### LOAD RATING

The majority of turntable bearing applications require the bearing to transmit static load or high loads at slow rotation with operation being intermittent. In such applications, the fatigue life of the internal bearing complement is less of a concern than the bearing's static and infrequent load capability. Most bearing selection is based on the Kaydon® load rating chart and an appropriate service factor for the intended application (see Service Factors Table 2-4, page 17).

Use of the Kaydon load rating charts requires compliance to all instructions and guidelines provided in the Installation and Maintenance section of this catalog; refer to pages 25 to 44.



Failure to follow above recommendations can severely limit ability of the bearing, retaining bolts, and adjacent mounting structures to safely transmit the indicated loads.

Load rating charts with a service factor of 1.00 are shown for all bearings listed in this catalog, except for the KH and XR Series. Bearings from either of these series are used where operating conditions and performance expectations require different selection criteria. To further assist the designer in making a KH or XR Series selection, ratings and performance results are provided.

If the application involves more frequent operation than indicated on page 16 and definitive duty cycles for loads, speeds, and oscillation are available, KAYDON® can assist in bearing selection, upon request. If such assistance is requested, it is recommended that one complete and submit the Specification Data Sheet in Section 6.

For such applications, the fatigue life of both the bearing and gear may dictate the designs. As a result, service factors should not be the sole criterion used for selection of a turntable bearing.

### SPEED

The rotation of single-row turntable bearings such as the RK, HS, HT or MT Series should be intermittent and limited to a maximum pitch line speed of 500 feet per minute (fpm). For bearings with multiple raceways such as the DT and TR Series, the maximum pitch line speed should be limited to 300 fpm on an intermittent basis. The KH Series is appropriate to use for continuous rotation at 500 fpm and infrequent rotation up to 750 fpm. Modifications may be made to any of these bearings to permit continuous rotation and load at speeds exceeding the values given. Modifications may include change in internal clearance, contact angle, clearance, rolling element separation, or seals. If assistance is required, contact KAYDON® for a bearing to meet your specific requirements.

### ACCURACY

All turntable bearings shown in this catalog, with the exception of the KH Series, are furnished with sufficient internal clearance to allow for some imperfections of mounting surfaces and for small amounts of deflection under load. They are not furnished with external diameters having a low tolerance to permit accurate positioning of the rotating structure relative to the stationary one. Upon request, Kaydon® can supply bearings with reduced clearance or preload, reduced runout, and external diameters for location purposes.

The KH Series is provided with no internal clearance and closely held external diameters for those applications requiring additional accuracy. See page 72 for additional information concerning accuracy of the KH Series. If necessary, bearings can be furnished with reduced internal clearance to minimize "rock." Extra care should then be taken to assure the installed bearings will be round and flat to maximize bearing capacity and performance. See pages 25 to 31 (Installation & Maintenance).

Our standard integral gear is manufactured in accordance with AGMA Class Q6 quality, excluding the KH Series. Should the application warrant, gears can be supplied to AGMA Class Q11 quality. The integral gear supplied on the KH Series is in accordance with AGMA Class Q8 quality.

# Technical Information & Guide

## ROTATIONAL FRICTION (TORQUE)

The friction torque for a turntable bearing due to external loads can be estimated using the following equation. This assumes the bearing is mounted according to the guidelines provided in the Installation & Maintenance Section, pages 25 to 44 of this catalog. This is an estimate and is significantly influenced by fluctuations in critical features; therefore, it is advisable to account for additional torque when initially selecting the drive arrangement. Once some experience with the application has been accumulated, the drive arrangement can be altered accordingly. Also note, the equation is not valid when the application loads equal zero, as there will still be some rotational resistance due to the weight of the rotating components and frictional resistance of the seals and lubricant.

$$M_w = \frac{\mu (4.4M_k + F_a D_p + 2.2F_r D_p)}{2}$$

Where:  $M_w$  = bearing torque under load, (ft-lbs)

$\mu$  = friction coefficient

= .006 for RK, HS, HT, MT, KH, XT,  
and DT Series

= .004 for XR and TR Series

$M_k$  = moment load, (ft-lbs)

$F_a$  = axial load, (lbs)

$F_r$  = radial load, (lbs)

$D_p$  = bearing pitch diameter, (ft)

## GEAR RATING

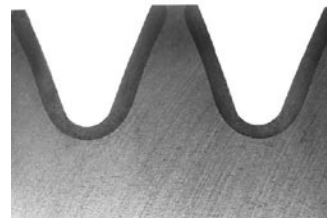
Tangential gear tooth ratings are shown in the selection tables for each applicable bearing and gear combination. These ratings only consider bending fatigue strength being generated using the commonly

accepted Lewis Equation. They are suitable for sizing when the application involves low speed and intermittent/oscillatory rotation. For applications with higher duty cycles, or frequent and rapid acceleration it may be necessary to use alternative methods, including surface fatigue for determining adequacy of the gear tooth design.



As a precaution it is recommended the machine designer verify the adequacy of the gear based on his own methods of calculation and past experience.

When additional surface endurance and bending strength are required, KAYDON® can accommodate both by providing a gear with rounded fillet and selectively hardened flanks and root. See Figure 2-7. On occasion and where the application permits, a gear with only the tooth flanks hardened may be used. This increases tooth surface endurance, but may decrease the tooth bending strength depending on the initial and final configuration being evaluated.



Selective Hardened Flanks and Root

Figure 2-7





## Section 3 - Installation & Maintenance

The following instructions provide essential information for the proper application, installation, and maintenance of KAYDON® turntable bearings. These instructions are divided into sections according to each of these disciplines and must be performed by qualified personnel.



Failure to adhere to these instructions may significantly impair the turntable bearing's ability to provide satisfactory service and may cause premature failure of the bearing as well as endanger safety of any personnel in the vicinity of the equipment.

Technical properties of turntable bearings are covered in Sections 2 and 4 of KAYDON® 390 Catalog.

KAYDON® accepts no liability for:



1. Non-compliance to instructions provided in this Installation and Maintenance literature.
2. Failure to pass on content to third party.

# Section 3 Contents

## Installation & Maintenance

Section 3 – Installation & Maintenance

|   | <b>Page<br/>Number</b> |
|---|------------------------|
| <b>Part 1 - Design Considerations (For Equipment Designer).....</b>         | <b>25</b>              |
| 1.1 Mounting Structure  |                        |
| 1.1.1 Stiffness   |                        |
| 1.1.2 Interface Features  |                        |
| 1.1.2.1 Flatness  |                        |
| 1.1.2.2 Pilots  |                        |
| 1.1.2.3 Holes   |                        |
| 1.1.3 Protection  |                        |
| 1.1.4 Access (For Installation and Maintenance)                             |                        |
| 1.1.5 Attachment  |                        |
| 1.1.5.1 Bolts   |                        |
| 1.1.5.2 Welding   |                        |
| 1.2 Pinion and Gear Mesh  |                        |
| 1.2.1 Pinion Design Considerations  |                        |
| 1.2.2 Backlash  |                        |
| 1.3 Mounting Examples   |                        |
| <b>Part 2 - Installation and Maintenance (For Equipment Builder).....</b>   | <b>38</b>              |
| 2.1 Handling  |                        |
| 2.2 Storage   |                        |
| 2.3 Installation  |                        |
| 2.3.1 Preparation   |                        |
| 2.3.2 Positioning   |                        |
| 2.3.3 Securing  |                        |
| 2.3.4 Gear Backlash and Alignment   |                        |
| 2.4 Post Installation   |                        |
| 2.5 Maintenance   |                        |
| 2.5.1 Lubrication   |                        |
| 2.5.1.1 Bearing   |                        |
| 2.5.1.2 Gear  |                        |
| 2.5.2 Bolts   |                        |
| 2.5.3 Seals   |                        |
| 2.5.4 Cleaning  |                        |
| 2.5.5 Noise, Roughness, Vibration   |                        |
| 2.5.6 Torque  |                        |
| 2.5.7 Tilt (Clearance)  |                        |
| 2.5.8 Dismantling and Disposal  |                        |
| <b>Part 3 - Maintenance (Guidance for Equipment Owner and/or User).....</b> | <b>44</b>              |
| 3.1 Before Use  |                        |
| 3.2 During Use  |                        |
| 3.3 Grease Lubricants Table   |                        |

# Installation & Maintenance

## 1. Design Considerations (Guidance for the Equipment Designer)

Turntable bearings, due to the nature of their design, have low structural stiffness making them highly susceptible to any distortions caused by the surrounding structures. Such distortions cause variations to the precisely designed and manufactured internal geometry of the bearing and will adversely affect performance and life.

### 1.1 Mounting Structure

Most component designs are a necessary compromise from the ideal to the practical. The design of mounting structures for large multiload bearings is no exception. Regardless, several criteria must be satisfied by the mounting structures, above and below the bearing, in order to obtain maximum bearing life and performance. Among these are stiffness, attachment, precision, accuracy, protection, and access.

The requirement for increased stiffness and higher precision surfaces is more critical under the following conditions:

- Increasing loads
- Increased frequency of operation
- Decreasing diameters
- Decreasing bearing cross sections
- Decreasing internal bearing clearance
- Decreasing torque limits

Protection of the bearing and accessibility for maintenance are critical to ensure bearing performance and longevity.

The following guidelines make reference to the bearing's rolling element diameter ( $D_w$ ) and raceway diameter ( $D_p$ ). During initial stages, the designer can use the following approximations. As required, contact KAYDON® for the specific bearing assembly drawing for confirmation of the raceway diameter and other important design features.

$$D_w \approx 0.5 \cdot H_{\min}$$

$$D_p \approx 0.5 \cdot (L_0 + L_i)$$

KAYDON® recommends steel to fabricate any structures used in conjunction with its turntable bearings, unless otherwise specified. The actual steel material selected will vary as required by the final structure design and resulting stresses. The use of higher strength steels does not necessarily result in increased stiffness. The choice of material for the structure is the equipment designer's or manufacturer's.

#### 1.1.1 Stiffness

The ideal bearing mounting would be infinitely rigid and isolate the bearing from localized loads and distortion. Recognizing this to be impractical, while still maintaining the original equipment design goals, KAYDON® prepared Figures 3-1 to 3-3 (Deflection) showing maximum permissible deflections that typical four-point and eight-point ball bearings can withstand while maintaining correct function. Allowable circumferential deflection ( $\delta_d$ ) around the structure's mounting face is shown in Figure 3-1. There must be no abrupt changes in deflection. The maximum deflection error must be gradual, similar to a sinusoidal wave pattern, and not occur in a span less than 90° and not more than once in 180°.


Another consideration is the allowable deflection from a true plane in a radial direction ( $\delta_v$ ), also referred to as dish or perpendicularity. For ball bearing designs this can be determined by using the following equation.

$$\delta_v \approx 0.003 \cdot D_w \cdot P$$

Where P = radial distance of mounting structure face

The maximum deflection for roller bearing designs is 2/3 of that for the equivalent sized four-point ball bearing.

Reduction of the  $\delta_d$  and  $\delta_v$  values may be necessary due to certain application requirements such as lower rotational resistance or higher precision.

 Equipment designs not complying to these requirements will adversely affect bearing performance, imposing concentrated loads on the bearing and adjoining fasteners. Concentration of loads results in higher loads on the rolling elements, raceways, and adjoining fasteners. This will lead to increased rotational resistance, decreased bearing and fastener life and a potentially unsafe working environment.

# Installation & Maintenance

## ALLOWABLE DEFLECTION VS RACEWAY DIAMETER

*Must not occur within 90° nor more than once in 180° of circumferential travel*

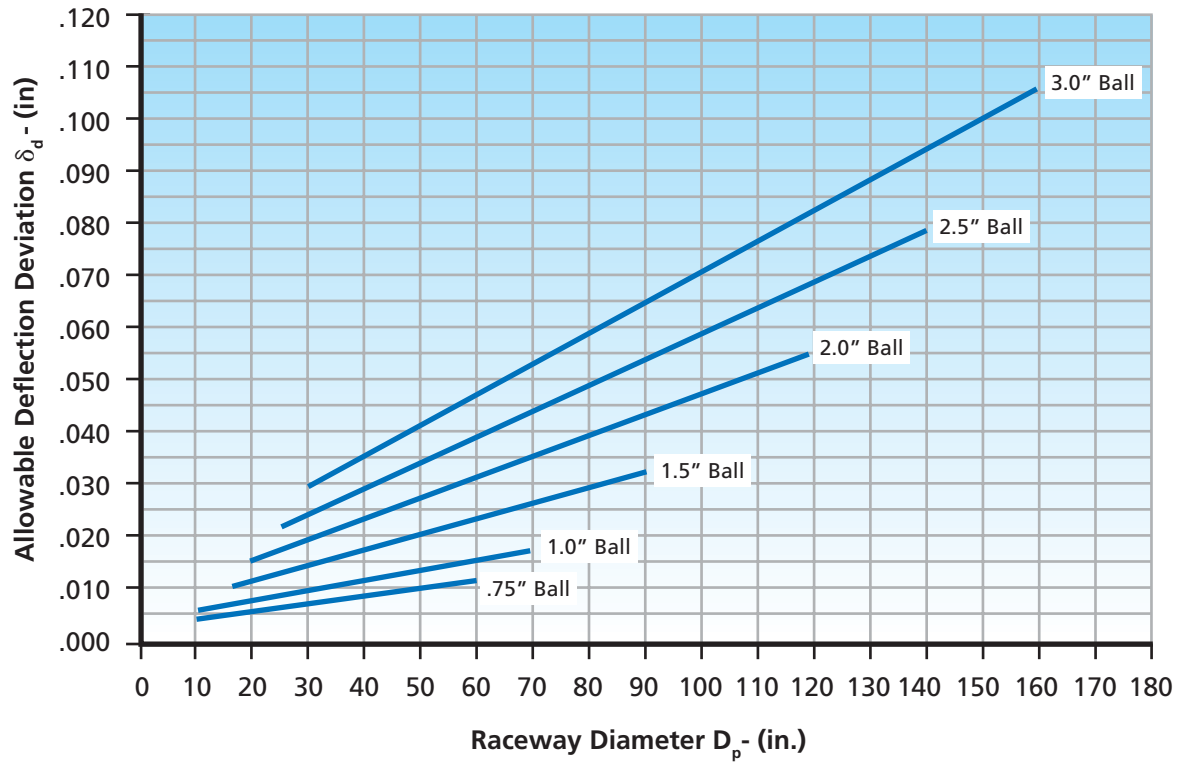


Figure 3-1

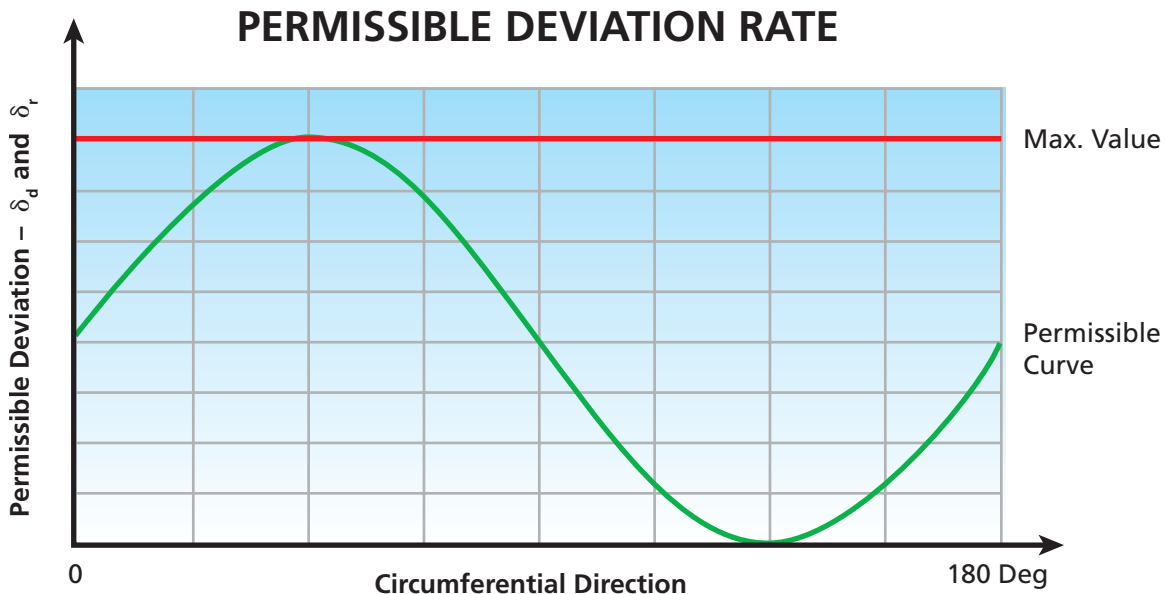
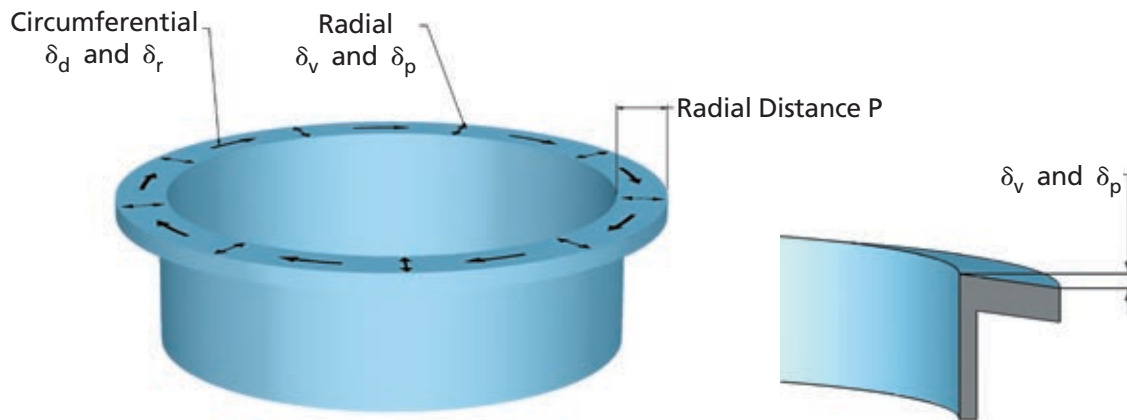


Figure 3-2



# Installation & Maintenance



Mounting Structure Deviations

$\delta_d$  = circumferential deflection

$\delta_v$  = radial deflection

$\delta_r$  = circumferential flatness

$\delta_p$  = radial dish (perpendicularity)

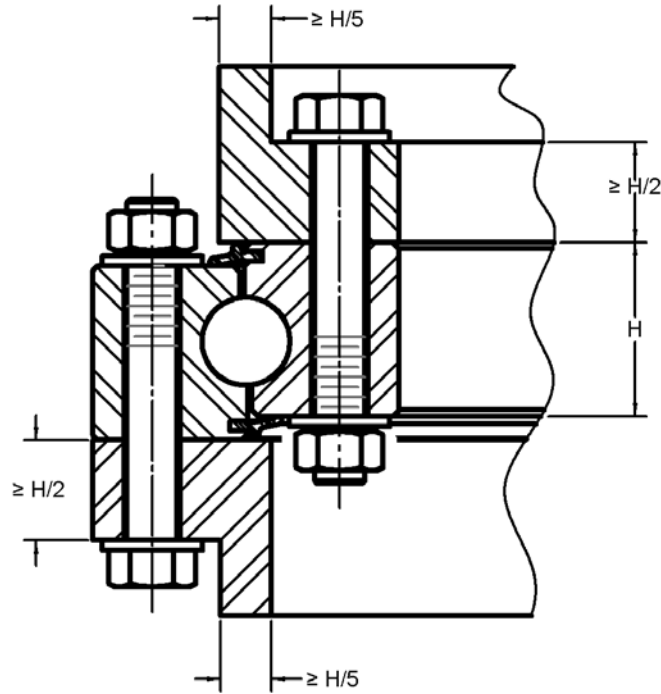
**Figure 3-3**

**⚠** KAYDON® offers the following guidelines to assist designers. Failure to follow any of these may cause additional risk and/or premature failure. Therefore, testing of the overall configuration and bearing installation is required to validate the design. Extra caution is required during any testing, as failure of any component could lead to complete separation. This may result in injury or fatality to anyone in close proximity.

- A uniform vertical and tube-shaped structure with a flange on one end should be used, allowing adequate room for fastener installation and maintenance. This structure would be similar to the end of a flanged pipe with a diameter close to that of the bearing's raceway. Refer to Figure 3-5. For initial sizing, wall thickness of such tubing should be at least 1/5 the overall height of the adjacent bearing's ring. Refer to Figure 3-4.
- The mounting or structural plate supporting the bearing should have a finished thickness of 1/2 of the bearing ring height for single-row rolling element bearings and at least 1/3 of the bearing ring height for multi-row bearings. Generally, thinner mounting plates require more structural support and bracing to stiffen the overall design. The final thickness of plate required will vary depending on the overall configuration of the structure and load being applied. Testing, as mentioned above, is recommended.
- The face of the structure that supports the bearing must make contact with the complete mounting face of the bearing's ring and have surface finish 250 AA or better.
- Obtaining a uniform distribution of the load to the bearing is difficult when using a frame, welded structure, and gussets for structural support under the mating plate. Should it be necessary to use such a design, the frame and supporting structure must be oriented to provide as much support as possible directly below the bearing's raceway. Refer to Figures 3-6 and 3-7.
- If the immediate structure supporting the bearing consists of two plates, one welded atop the other, caution must be taken to avoid distortion of the plates during welding as it could result in undetected voids between them. Under load, the plates will deflect causing non-uniform and increased dynamic loads on the bearing and retaining bolts. Refer to Figure 3-8.
- Variation in the physical "grip length" of the bearing's mounting bolts is not permissible in the design of the mounting structure. The physical "grip length" is the distance from the bottom of the bolt head to the first thread of engagement. Such variation imposes a disproportionate amount of load on those having shorter grip length. This can lead to premature failure and/or separation of the assembly.
- Special attention needs to be given to stiffness of the gear drive mounting area. Designs having insufficient rigidity in this area will permit deflection and result in poor gear and pinion mesh alignment. Poor alignment can lead to premature failure of the pinion, gear, and gear drive.

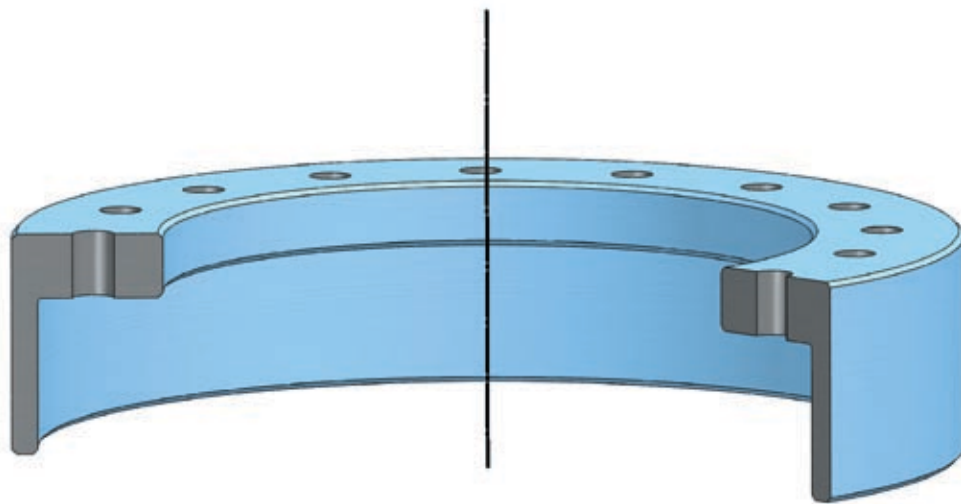
# Installation & Maintenance

Section 3 – Installation & Maintenance



MINIMUM MOUNTING SUPPORT REQUIREMENTS

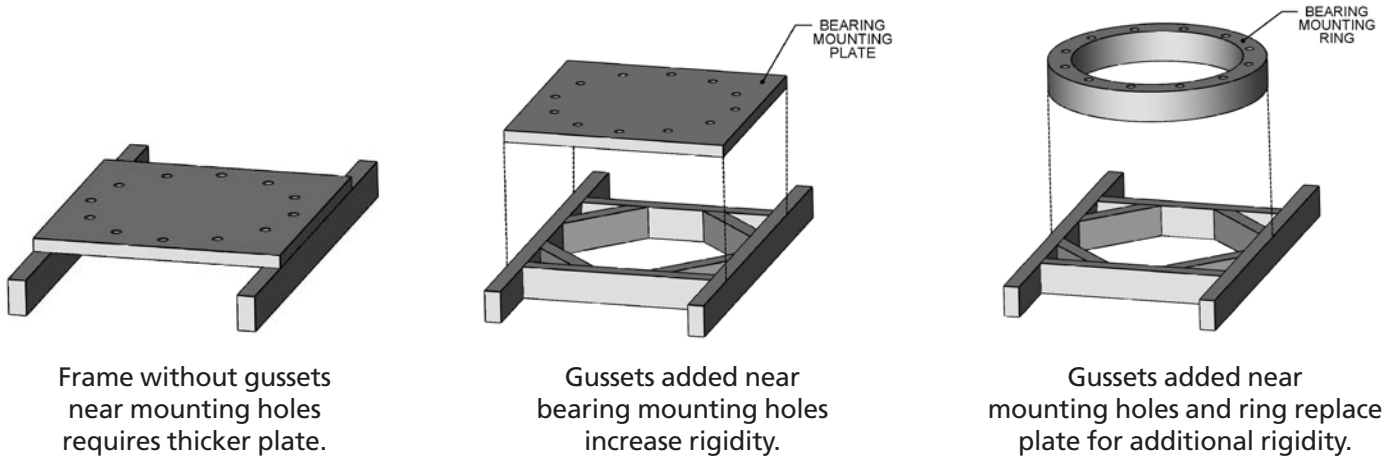
Figure 3-4



VERTICAL TUBE WITH FLANGE FOR MOUNTING SUPPORT

Figure 3-5

# Installation & Maintenance



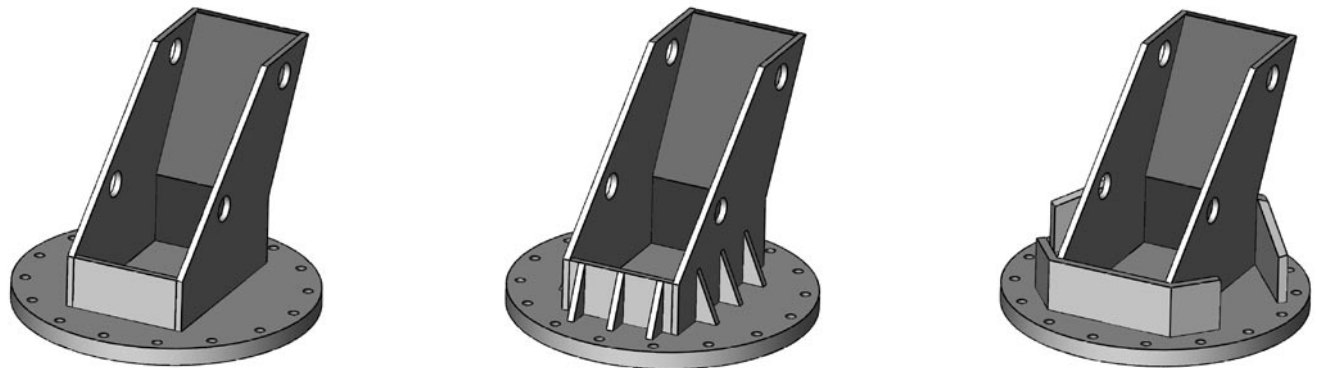
Frame without gussets near mounting holes requires thicker plate.

Gussets added near bearing mounting holes increase rigidity.

Gussets added near mounting holes and ring replace plate for additional rigidity.

FABRICATED FRAME & STRUCTURE SUPPORTS

Figure 3-6



Turnstile without braces lowers side plate and mounting plate rigidity, reducing load distribution around bolt pattern and bearing.

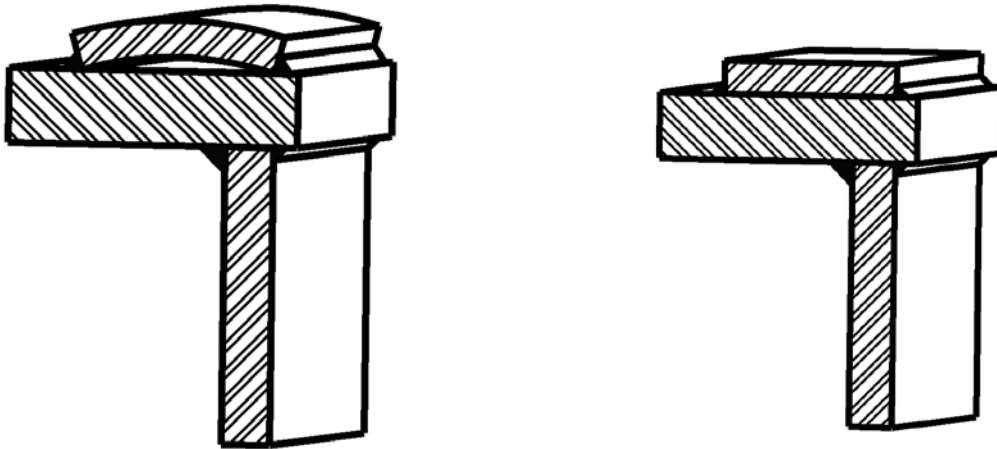
Turnstile with braces increases side plate and mounting plate rigidity and provides increased load distribution around bolt pattern and bearing.

Turnstile with braces located near bolt mounting holes increases side plate and mounting plate rigidity and provides additional load distribution around bolt pattern and bearing.

FABRICATED TURNSTILES

Figure 3-7

# Installation & Maintenance



WELDED PLATES - POTENTIAL FOR DETRIMENTAL DISTORTION

**Figure 3-8**

## 1.1.2 Interface Features

### 1.1.2.1 Flatness

Bearing mounting surfaces must be machined flat after all welding and stress relief treatment on the structures is complete. If subsequent welding is necessary, it must be done to avoid distorting the previously machined mounting surface. The allowable degree of out-of-flatness in the circumferential direction ( $\delta_r$ ) for typical four-point and eight-point ball bearings is shown in Figure 3-9. Out-of-flatness, like distortion, must be gradual, reflecting a sinusoidal wave pattern and not occur in a span less than 90° and not more than once in 180°.

In addition to flatness in the circumferential direction,

the allowable dish or perpendicularity deviation ( $\delta_p$ ) in the radial direction must be determined. For ball bearing designs, this can be done using the following equation.

$$\delta_p \approx 0.001 \cdot D_w \cdot P$$

Where P = radial distance of mounting structure face

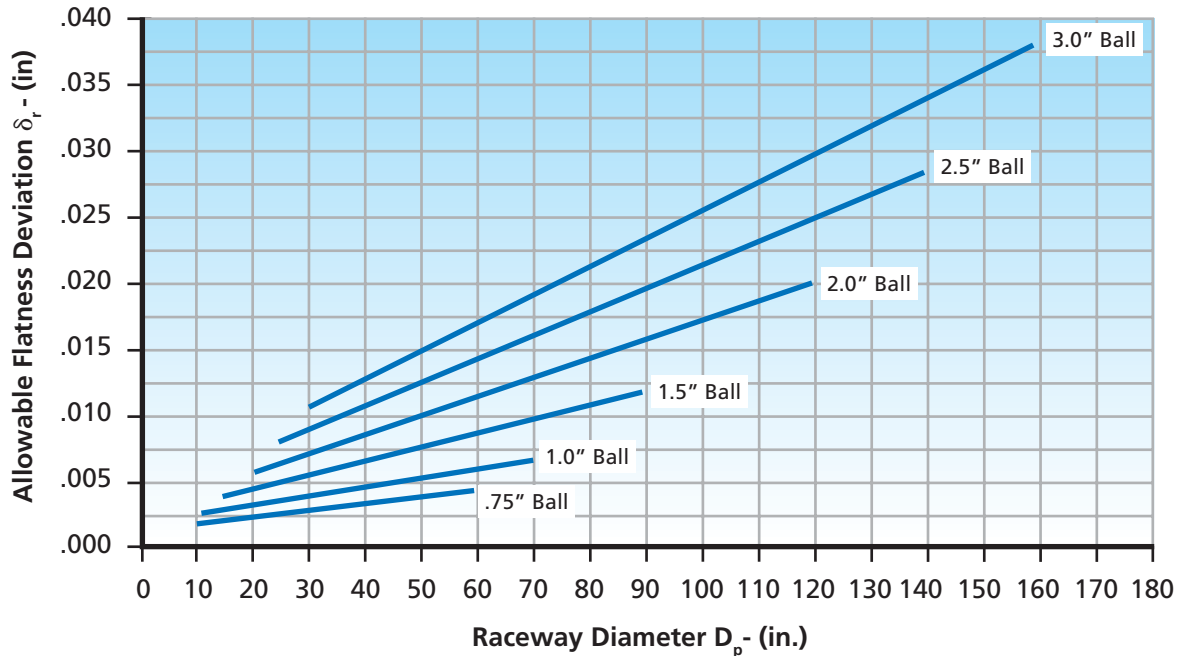
The maximum out-of-flatness for roller bearing designs is 2/3 that shown for the equivalent sized four-point ball bearing.

It may be necessary to reduce the  $\delta_r$  and  $\delta_p$  values in applications which require low rotational resistance or high precision.


# Installation & Maintenance

## ALLOWABLE FLATNESS VS RACEWAY DIAMETER

*Must not occur within 90° nor more than once in 180° of circumferential travel*



**Figure 3-9**

 KAYDON® does not recommend the use of grout or shims to compensate for excessive out-of-flatness.

### 1.1.2.2 Pilots

Pilots are sometimes used for accurate location of the bearing or to aid in retention of the bearing. If used, they must be round and accurately sized so that they do not distort the bearing. Consideration must also be given to their eccentricity and positioning tolerance relative to any hole patterns used in the structure and the interfacing bearing ring. KAYDON® can provide the applicable bearing assembly drawing which includes interfacing tolerances.

### 1.1.2.3 Holes

Mounting holes and dowel holes, if any, must be within the true location tolerances required to prevent distortion of the bearing due to interference. Mounting hole location tolerance must account for eccentricity of the hole pattern relative to any pilot diameters. Through holes should be compatible with the location tolerance and of a diameter equivalent to

those in the corresponding bearing ring. KAYDON® can provide the applicable bearing assembly drawing which includes interface features and tolerances.

Bearings should never be used as drill jigs. They may be used as templates for transfer of hole location provided care is taken not to distort the bearing. Distortion is more likely to occur on bearings having thinner ring sections.

### 1.1.3 Protection

KAYDON® bearings are designed to withstand normal operating environments. If the upper structure does not provide complete cover for the bearing, a separate seal or shield is recommended. Exposed gears should be shrouded if they are to be exposed to extremely dirty conditions. Shields and shrouds should be designed with cover doors, plugs, or other means of access to the bearing for maintenance purposes.


To further enhance protection, KAYDON® can provide painting or plating options as required.




# Installation & Maintenance

## 1.1.4 Access (For Installation and Maintenance)

Like all mechanical components on a machine, the bearing must be accessible so that it can be properly maintained. The following must be considered.

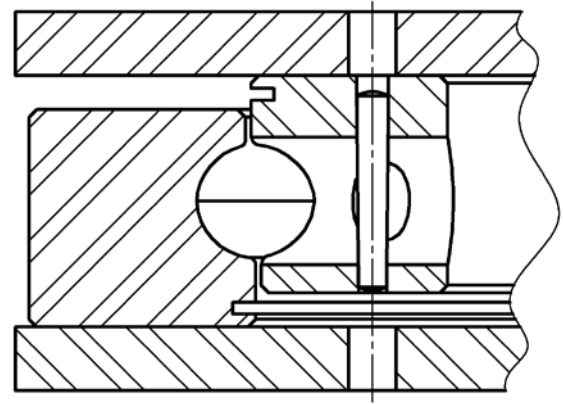
 Mounting bolts require periodic checking and possibly retightening. Access to every mounting bolt must be readily available. Failure to properly maintain the mounting bolts may result in failure and injury to anyone in the vicinity.

Lubrication of the gear and internal components is required and convenient access to the gear and bearing grease fittings must be provided. It is recommended that remote lines to the bearing be added to allow rotation as grease is introduced to the raceways.

 There may be rare occasions when it is desirable to inspect the bearing raceways and internal components. This should only be attempted by qualified personnel due to the potential for the bearing and structures to come apart. This can damage components and cause injury or fatality to anyone in the vicinity.

This inspection may be accomplished on typical turntable bearings by removal of the loading plug, excluding three-row roller designs.

While removal of the loading plug voids the warranty, it may be necessary. To accommodate access to the retention pin for the loading plug, the designer should include additional clearance or access holes above and below the retaining pin. See Figure 3-10.



ACCESS HOLES FOR LOADING PLUG

**Figure 3-10**


## 1.1.5 Attachment

The method of attachment of KAYDON® bearings to the support structure significantly affects its design. The preferred method is to use bolts in both rings. If you require assistance with applications where the attachment for one ring is to be done by welding, contact KAYDON®.

### 1.1.5.1 Bolts

The preferred bolting arrangement is a full circle of uniformly spaced fasteners going through holes in both bearing races. This benefits both the bearing and the bolts. The bearing races are reinforced by the bolt tension. The resulting greater bolt grip length allows more accurate and uniform pretension, reducing fatigue loading. However, it is not always practical to have all the mounting holes spaced exactly equal on all designs, due to interference with supporting structures or brackets. In such cases, the spacing between adjacent bolts may be shifted a few degrees either way to accommodate mounting hardware and assembly. Testing is recommended, as it is the only accurate method for determining bolt loads and validation of the overall joint configuration and assembly procedure.


# Installation & Maintenance

 The bolt arrangement, quantity, size, and thread engagement of bolts are the responsibility of the equipment designer and manufacturer for the following reasons:

- There is no universally accepted method of analyzing the forces imposed on the bolts in a turntable bearing joint subjected to moment loading.
- The stiffness, uniformity, and final design of the structures to which the bearing is attached have an extremely high degree of influence on the load in the fasteners. Only the equipment designer or manufacturer can control this.
- The quality of the fastening hardware, method of tensioning, hardness of the surfaces under the bolt heads, and the use of thread lubricant are critical factors over which the equipment manufacturer has control.

We suggest that selection of the bolts should be made with the advice and assistance of the fastening hardware supplier, as bolt quality and recommended method of pretensioning and maintenance vary widely. Attention to details such as head/body fillet radius, thread form, finish, surface asperities, and freedom from cracks and other possibly fatal flaws are very important to the safety of the equipment and any personnel in the vicinity. The importance of adequate and uniform pretensioning is evident from the proliferation and technological advancement of devices such as:

- Turn of the nut indicators
- Preload indicating washers
- Torque wrenches with integral “yield” sensors
- Hydraulic bolt stretchers
- Ultrasonic measuring equipment
- To aid the designer in initial sizing, the following formula can be used to calculate the approximate load on the heaviest loaded bolt. This method is based upon past experience and yields results that have proved satisfactory for most applications. It is analogous to the method Kaydon uses to determine the load on the heaviest loaded rolling element within a bearing.

 Kaydon makes no warranty, expressed or implied, regarding the adequacy of the bolts. The only certain way to determine the actual load is by testing, which is strongly recommended.

$$R_b = \frac{12 \cdot M_k \cdot F_f \pm F_a}{L \cdot n} \cdot \frac{F_a}{n}$$

$$*F_s = \frac{\text{Bolt Proof Load Rating}}{R_b}$$

$M_k$  = Moment load, (ft - lbs)

$F_f$  = Flexibility factor. Use 3 for bearings and support structures of average stiffness.

$F_a$  = Axial load, (lbs)

If the load is in tension, the sign is +.

If the load is in compression, the sign is -.  
Refer to Figures 2-2 and 2-3.

$L$  = Bolt circle diameter, (in)

$n$  = Total number of evenly distributed bolts

$R_b$  = Total load on heaviest loaded bolt, (lbs)

\* $F_s$  = Factor of safety of bolts.

Minimum recommended value = 3

## Bolt Proof Load

SAE J429, Grade 8 and ASTM A490; Coarse Threaded Series

| Bolt Dia.<br>(in) | Proof Load<br>(lbs) |
|-------------------|---------------------|
| 1/2               | 17,000              |
| 5/8               | 27,100              |
| 3/4               | 40,100              |
| 7/8               | 55,400              |
| 1                 | 72,700              |
| 1 - 1/8           | 91,600              |
| 1 - 1/4           | 116,300             |
| 1 - 1/2           | 168,600             |

# Installation & Maintenance


If you determine that alteration to the mounting hole pattern is required for your bearing, KAYDON® is available to provide assistance to help you select a mounting hole pattern for the bearing in question.

The following is a list of additional recommendations concerning bolts and their incorporation into the final equipment design. The items listed below are not all inclusive and further study on the subject is recommended. These recommendations are intended to provide the designer with a good basis from which to begin.

- High strength bolts with coarse threads and hexagon heads in accordance with SAE J429, Grade 8 or ASTM A490/A490M or ISO 898-1, Grade 10.9 tensioned to 70% of their yield strength.
- Where applicable, coarse threaded hex head nuts in accordance with SAE J995, Grade 8 or ASTM A563, Grade DH or ISO 898-2, Class 10.
- Hardened round flat steel washers in accordance with ASTM F436 under head of bolt and also nut.
- Use of hardware that identifies the manufacturer as well as proper SAE, ASTM or ISO grade designations.
- The ratio of the joint's clamp length (distance from the bottom of the bolt head to the first thread of engagement) to the nominal bolt diameter should equal 3.5 or greater. This ratio has a significant impact on embedment and the potential for loss of bolt tension and premature failure. A higher ratio is less prone to result in loss of bolt tension. Lower ratios may prove unacceptable and require more frequent inspection of the bolts for proper tension. Testing is required for validation.
- Bolt threads should end short of the head by at least a distance equivalent to the body diameter.
- Equal clamp or grip length for all mounting bolts in a given ring.
- The thread engagement length between bolt and mating steel structure should be at least 1.25 times the nominal bolt diameter.
- A bolt should be used in every mounting hole.
- There should be a minimum of 6 free threads (not engaged) in the tensioned portion of the bolt.
- Performance of bench tests is recommended to validate that the method of bolt tensioning achieves the desired results prior to any equipment testing.

High strength socket head bolts (ASTM A574) are not preferred but have been successfully used in turntable bearing applications. These high strength bolts have a smaller head diameter which requires less space; however they also have less surface area under the head. This reduced surface area increases the potential for more variation in final bolt tension due to embedding and settling. High strength socket head bolts must be used in conjunction with a hardened washer and nut. The nut should be turned to achieve final bolt tension. If possible, use a hardened washer under the head as well as with the nut, to minimize embedment, settling, and loss of bolt tension that could result in premature bolt failure.

Calibrated tension indicating washers are acceptable.

 Lockwashers are **NOT** recommended, because of potentially significant variations in frictional resistance, embedding, and loss of bolt tension leading to premature failure of the bolt. Additionally, locking compound on the threads, intended to prevent loosening, is **NOT** recommended. As mentioned in the maintenance section, the bolts require frequent inspection for proper tension. The most common method used to fulfill this requirement is measuring torque of the bolt. The use of locking compound can lead to a false conclusion that the bolt has the desired tension. Loss of the proper tension can lead to premature bolt failure, dismounting of the bearing and structure, damage to components, and injury or fatality to anyone in the vicinity.

# Installation & Maintenance

## 1.1.5.2 Welding

Attachment of bearings by welding is not favored and is limited to new applications in unusual situations. If additional assistance is required, we suggest that you contact the KAYDON® Engineering Department for these applications.

## 1.2 Pinion and Gear Mesh

### 1.2.1 Pinion Design Considerations

If a bearing with an integral gear has been selected, the machine designer should work with a pinion manufacturer to select the appropriate mating pinion. It is important to be aware and consider all potential operating circumstances which could be detrimental to pinion and gear life.

A pinion supported only on one end is often selected for mating with turntable bearings. This is commonly referred to as an overhung pinion. Use of this type of arrangement whenever high gear tooth loads exist requires the designer to consider pinion modifications not commonly used with standard gear transmissions. We suggest that the following gear design modifications should be considered when selecting a mating pinion.

- **Addendum modification (profile shift).**

This is especially important for pinions having fewer than 15 teeth for a Stub Involute tooth form and 19 teeth for a Full Depth Involute tooth form to avoid undercut, weakened tooth design, and to avoid tip or involute interference.

- **Profile and tip relief. Refer to Figures 3-11 & 3-12.**

Higher dynamic loads, fewer pinion teeth, and support only on one end of the pinion increase potential for deflection of the gear and pinion teeth during operation. These conditions have a tendency to generate wear (scuffing) in the dedendum of the gear tooth, regardless of the teeth having correct profiles and theoretically compatible geometry. Scuffing generates metallic wear particles and weakens the gear tooth. This may prove detrimental to gear and pinion life depending on the operating circumstances.

- **Crowning or changing of the tooth thickness along its width.**

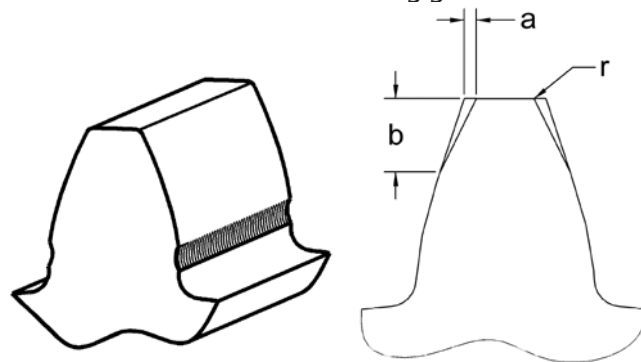
This is considered a good practice for highly loaded gears as it allows better distribution of the stresses along the tooth face. For situations with over-hung pinion mounting, off-setting the crown should be considered to account for pinion and drive deflections and provide a more even stress distribution. Generally the thickest section along the tooth face is off-centered toward the unsupported end of the pinion.

- **Surface hardening of the pinion.**

The pinion experiences more operating cycles than the gear teeth. Therefore, it requires a higher surface endurance life. This is accomplished by through hardening or selective hardening. When through hardening, care must be taken to prevent the pinion teeth from becoming too hard and brittle for the intended application and mating gear. Selective hardening of the pinion is an alternative when surface hardness and ductility are major design concerns. A hardness pattern that ends in the fillet area has significantly less strength than one that flows completely around the fillet and up both flanks. The heat treat methods to accomplish this include carburizing, nitriding, or induction hardening. In all cases, evaluation of the hardness pattern, including the transition area, is necessary to determine if it is appropriate for the intended use.

- **Quality**

The pinion quality should be equivalent to or better than that of the mating gear.



Scuffing on Dedendum

**Figure 3-11**

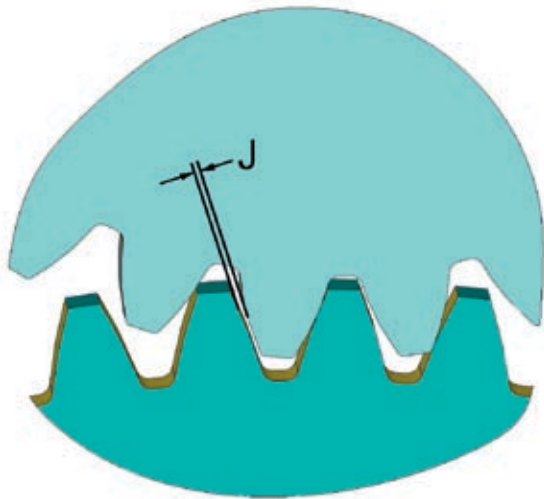
Flank Tip and Profile Relief

**Figure 3-12**

# Installation & Maintenance

## 1.2.2 Backlash

Backlash is required for most geared turntable bearing applications. This is to accommodate manufacturing tolerances of the gears, mounting structures, lubrication, thermal expansion, and deflection of the components under dynamic loading. Refer to Figure 3-13.



Gear Assembly Backlash

**Figure 3-13**

In high ratio gearing, the larger of the two mating gears usually has its teeth thinned to accommodate this, and the smaller one is kept at nominal to maximize its tooth strength. The amount of tooth thinning, or backlash allowance, is shown on Kaydon's drawings, which may be obtained by contacting Kaydon. Typical backlash ranges are shown in Table 3-14. For module gears, use the approximate equivalent gear pitch diameter and diametral pitch as shown in the table.

The backlash should be measured just inside each end of the pinion and gear mesh to verify that proper alignment is obtained. Poor alignment can result in premature tooth wear and breakage. Consider any crowning of the pinion teeth when evaluating the alignment.

$$m = \frac{25.4}{P_d} = \text{module}$$

The designer or manufacturer needs to determine whether to use a fixed or adjustable center distance. Factors that influence this decision are skill level of assemblers, installation time, maintenance, and economics. The designer must also weigh potential for increased gear life versus additional cost incurred by requiring more stringent manufacturing tolerances or designing for an adjustable center distance.

**Table 3-14**

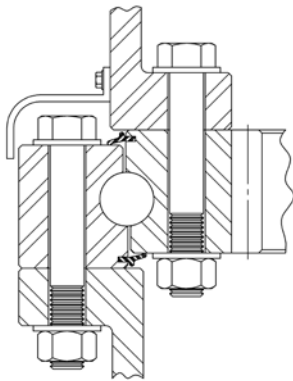
| Gear Pitch Dia, D <sub>2</sub> (in.) | Minimum Backlash, J (in.) | Maximum Backlash (in.)            |       |       |       |         |
|--------------------------------------|---------------------------|-----------------------------------|-------|-------|-------|---------|
|                                      |                           | Diametral Pitch (P <sub>d</sub> ) |       |       |       |         |
|                                      |                           | 1.5                               | 1.75  | 2     | 2.5   | 3, 4, 5 |
| 20                                   | 0.014                     | 0.029                             | 0.027 | 0.025 | 0.023 | 0.022   |
| 30                                   | 0.015                     | 0.030                             | 0.028 | 0.026 | 0.024 | 0.023   |
| 40                                   | 0.016                     | 0.031                             | 0.029 | 0.027 | 0.025 | 0.024   |
| 60                                   | 0.018                     | 0.033                             | 0.031 | 0.029 | 0.027 | 0.026   |
| 80                                   | 0.020                     | 0.035                             | 0.033 | 0.031 | 0.029 | 0.028   |
| 100                                  | 0.022                     | 0.037                             | 0.035 | 0.033 | 0.031 | 0.030   |
| 120                                  | 0.024                     | 0.039                             | 0.037 | 0.035 | 0.033 | 0.032   |



# Installation & Maintenance

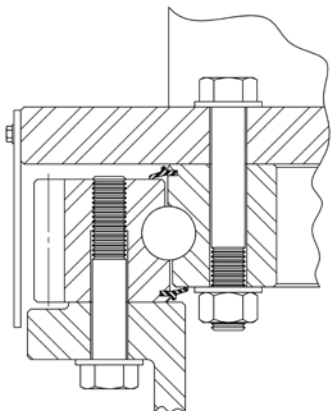
## 1.3 Mounting Examples

KAYDON® bearings can be designed to suit a number of mounting arrangements. Following are illustrations of some basic arrangements. These can be varied to suit the requirements of a specific application. Such variations include types of holes, location and number of lube holes, omission of integral gears, and incorporation of special seals.



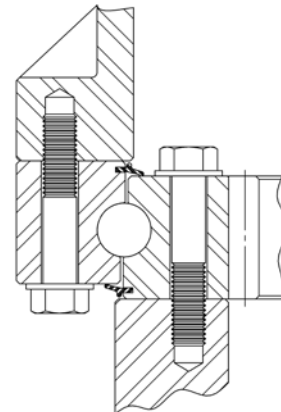
**Figure 3-15**

Pinion is attached to stationary outer race support and rotates the upper structure supported by the inner race. A shroud over the outer seal and bolts prevents contamination under extreme conditions.



**Figure 3-16**

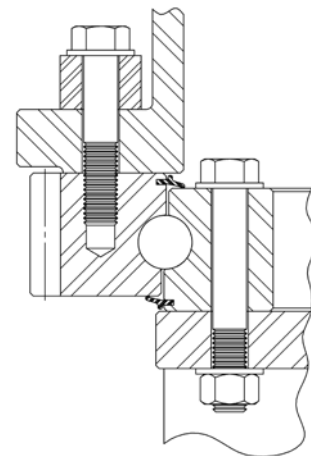
Inner race supports the rotating upper structure with pinion. An external shroud protects the gear teeth on the stationary outer race.



**Figure 3-17**

The mounting structures shown are intended to be illustrative only. Important details in design such as mounting plate thickness, location and number of stiffening members, and bolt lengths must be determined by the equipment designer as detailed in previous sections.

Pinion is attached to rotating upper structure carried by outer race. Location of gear on inner ring provides protection from harsh external conditions.



**Figure 3-18**

Pinion is attached to stationary inner race and rotates geared outer race carrying upper structure.

# Installation & Maintenance

## 2. Installation and Maintenance Considerations (Guidance for the Equipment Builder)

### 2.1 Handling

Turntable bearings, like any other machine part, require careful handling. Use of safe operating practices and observation of all relevant legal regulations when handling, cleaning, and transporting are required. It is recommended that gloves be used whenever handling the bearing.

Transport the bearings only in the horizontal position, preferably safely secured to shipping pallets or in a container. When lifting a bearing, use eye bolts in the mounting holes or nonmetallic slings at three evenly distributed points around the bearing. Avoid any sudden acceleration or impact. If the bearing must be turned over, use nylon web slings or equivalent. Do not use chains or metallic mesh slings in contact with the bearing.

### 2.2 Storage

KAYDON® Turntable bearings are packed with general purpose grease at the factory, unless specified by the customer, and are sealed to exclude ordinary foreign matter. Keep the bearing packaged as originally received and in a horizontal position until all preparations have been made for its installation. If it is necessary to stack the bearings, then a stable intermediate layer with adequate strength to support the weight must be used between bearings. The overall stacked height must not exceed three feet. We recommend that you do not stack more than two high if the bearing is four feet or larger in diameter.

Outdoor storage is not recommended. If the bearing is not installed within one year of receiving it, the grease should be purged and replaced with fresh grease. External surfaces of turntable bearings, including the gear, are coated with a preservative oil to provide nominal protection during storage.

We suggest that you advise KAYDON® if extended periods of storage are anticipated so that the bearings can be packaged appropriately.

### 2.3 Installation

It is important to recognize the vital role of the bearing/gear and the means for securing it to the equipment, whether it be with bolts or welds.


Detailed and clear instructions need to be prepared for the installer. When bolts are used as the means of attachment, tests need to be conducted to validate that the method of bolt pretensioning achieves the desired results. Confirm the bolts have the proper quality standard and manufacturer identification as prescribed by the designer.

If the bearing is to be attached by welding, conduct the necessary tests to prove that the specified joint will be strong enough to safely attach to the bearing.

Examine for and remove weld spatters, nicks, and burrs. If surfaces have been painted, remove the paint completely.

#### 2.3.1 Preparation

Installation of the bearing and gear assembly should be done in a clean, dry, well-lit area. Mounting surfaces and pilots of the housings should be machined, unpainted and wiped clean of chips, dirt, and lint, since even trapped "soft" material will act as high spots. When this has been done, examine for and remove weld spatter, nicks and burrs and wipe clean again. The mounting faces need to be machined and in accordance with the limits prescribed in Part 1, Paragraph 1.1.2

 Confirm that the bearing and all necessary and correct hardware are on-site before beginning the installation. Verify the bolts and mounting hardware are of the size, design, finish and quality specified by the designer. The bolts must have proper identification for the quality standard required. Using bolts that are not in conformance with those prescribed can lead to unsatisfactory bearing performance, premature failure, and a potentially fatal working environment. Refer to Part 1, Paragraph 1.1.5.1

# Installation & Maintenance


## 2.3.2 Positioning

If one ring has a pilot or dowel hole, it should be positioned and mounted first.

Consider alignment of gear's minimum backlash on structure so any necessary adjustments can be made.


Identify zones of maximum load on supporting structures to which the bearing will be secured. When in doubt, consult with the equipment designer for their instructions.

Examine and identify any damage to packaging prior to unwrapping the bearing; then it should be wiped clean and inspected.

 Do not expose the seal area or any other bearing opening to pressurized cleaning.

Use only cleaning material that is compatible with the seal material and avoid getting debris or other material into the bearing. Visually inspect and confirm that there is no damage to the bearing, gear, seals, or grease fittings.

Remove any minor burrs from mounting surfaces that may have occurred in shipping or handling. Use a hand file, taking care to remove only as much material as necessary to ensure full contact of bearing surface with equipment mounting surface. Make sure all surfaces are wiped clean.

 We recommend that the bearing not be disassembled without express approval of and instruction from KAYDON®. Removal of the loading hole plug voids the warranty.

Lift or hoist the bearing into position, placing intended ring down on its supporting structure.

Align the mounting holes and orient the ring so the load plug and/or hardening gap location (identified by a "G") is 90° from the most heavily loaded zone.

Confirm the grease fittings or holes are located for easy access, or aligned with lubrication lines.


Using a gauge, verify the bearing is fully supported by the mounting structure. If not, then determine cause and correct.

## 2.3.3 Securing

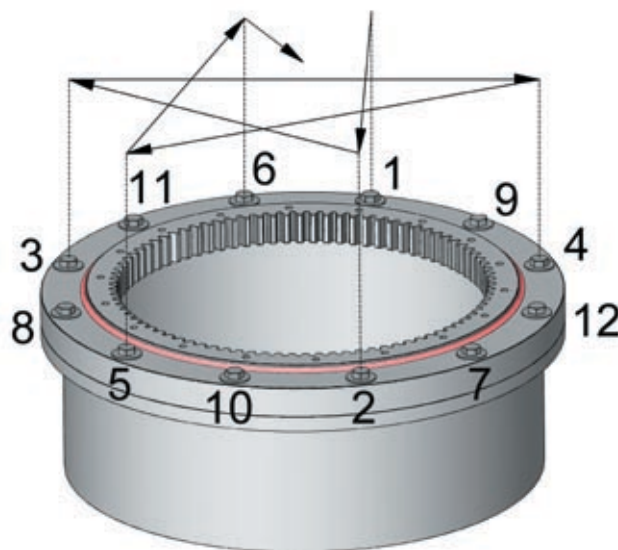
For good load distribution and smooth, low torque operation, the bearing should be as round as possible when the bolts are tightened. The following procedure is provided as an aid in achieving that objective.

Install washers, nuts, and hand tighten bolts in the supported ring according to the instructions from designer. Make sure there is no interference or rubbing of the bolts in any of the holes. Do not distort the bearing in order to insert any bolts. Interference can cause inaccurate results and lead to premature failure of bearing and bolts.

Apply a moderate centered thrust load to the bearing and note the torque required to rotate the bearing.

 Tighten all bolts in accordance with the equipment designer's instructions. Failure to follow the equipment designer's instructions could result in premature wear or catastrophic failure of the bearing and result in damage to equipment, personal injury, or death.

A common method is the use of star pattern tightening following the sequence below. This is usually done in 3 steps at approximately 30%, 80%, and 100% of the final torque or tension level prescribed by the equipment designer.



**Figure 3-19**

# Installation & Maintenance

Rotate the unsecured bearing ring several times after each step, checking for tight spots or a significant increase in torque over that initially noted. Either of these indicates the bearing is distorted. Determine and correct the cause.

Remove the centered thrust load previously applied to the bearing and prior to securing the other ring.

Position the other bearing support structure on the unsecured bearing ring.

This support structure should have minimal number of components attached, to keep weight and moment load low so the bolt tensioning operation is not adversely affected.

Align mounting holes and orient the ring so the load plug and/or hardening gap location (identified by a "G") is 90° from the most heavily loaded zone.

Using a gauge, verify the bearing fully supports the mating structure. If not, then determine cause and correct.

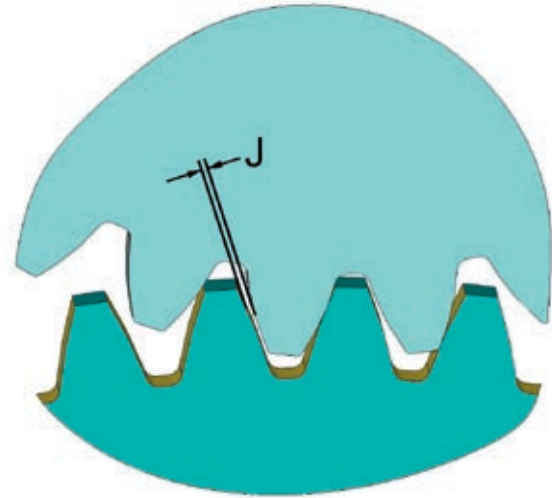
Insert and tighten bolts in second ring as done for secured ring. Continue to rotate and check bearing for tight or excessive torque during this operation.

Complete installation of all rotating components of significant weight, and check bearing for freedom of rotation. Excessive torque level, variation, or vibration is indicative of some unsatisfactory installation condition or component.

As permitted, inspect seals again for any damage.

## 2.3.4 Gear Backlash and Alignment

After mounting the bearing, mount the mating pinion. Check backlash of the gears. Pinions on adjustable centers should be set for proper backlash. Do this at point of minimum backlash on the gear, identified with yellow paint in the tooth space, and at both ends to confirm prescribed alignment exists. If either of these is not as prescribed by the designer, determine and correct the cause. Refer to Figure 3-20.



Gear Backlash

**Figure 3-20**

## 2.4 Post Installation

**⚠** When the equipment has been completely assembled, and prior to testing, check bolt tension to ensure that it is in compliance with that specified by the designer. The equipment should be oriented to generate as little moment or radial load on the bearing as possible to avoid inaccuracy in readings. Document this orientation so it may be used for all future bolt inspections. Any loss of pretensioning must be determined and eliminated.

Measure and record initial bearing tilt (clearance) of equipment following guideline provided in Paragraph 2.5.7.

During and after validation testing, check bolt tension with equipment orientation as previously done and documented. Any loss of pretensioning must be determined and eliminated.

Follow Paragraph 2.5.1 for lubrication intervals of bearing and gear during testing.

Relubricate the bearing and gear prior to delivery of the machine. Introduce fresh grease into the bearing until grease is observed coming from under either seal. Rotate the bearing several times to ensure a complete fill. Repeat every 6 months on idle equipment or as recommended by the equipment designer.

# Installation & Maintenance

## 2.5 Maintenance

While KAYDON® turntable bearings require minimal attention, what little they are given will pay big dividends in long life, high performance, and trouble-free service.

### 2.5.1 Lubrication

#### 2.5.1.1 Bearing


Lubrication of the bearing is recommended every 100 operating hours for relatively slow rotating or oscillating applications such as backhoes, excavators, and cranes or as specified by the designer. In more rapidly moving or continuously rotating machinery such as trenchers, borers, and material distributors, the bearing should be lubricated every day, or every 8 hours of round-the-clock service. Refer to Section 3, page 44 for further discussion on lubricants to use.

Idle equipment should not be neglected. Grease dries out and “breathing,” due to temperature changes, can cause condensation within the bearing. Whether used or not, the bearing should have grease introduced every 6 months. The bearing should then be rotated a few revolutions to coat all surfaces with fresh grease.

#### 2.5.1.2 Gear

There is a tendency to take much better care of the bearing than the gear. However, the meshing action and usual position of the gear tends to purge the lubricant; thus, the gear should be regreased frequently with a small amount of lubricant. A well-maintained gear will provide long, smooth, and quiet service. It is recommended that grease be introduced at the point of mesh of pinion and gear every 8 hours of slow or intermittent operation, and more often for rapidly or continuously rotating applications. Refer to Section 3, page 44 for further discussion on lubricants to use.

### 2.5.2 Bolts

 The cyclic nature of loading on the mounting bolts gives rise to the possibility of their working loose or to inelastic deformation of the threads and other stressed surfaces. With the equipment in the same orientation as the initial testing during installation, the bolts should be checked by the end user within the first 200 to 300 operating hours. Should any loss of

pretension be detected, the source must be determined and eliminated. The bolts should be checked again after each additional 200 to 300 hours of operation until loss is no longer detected, at which time the inspection frequency can be extended as specified by the designer.

### 2.5.3 Seals


Seals should be inspected during routine maintenance as recommended by the designer, but the interval should not exceed 6 months. Check for tears, breaks, or other signs of damage. Depending on the lubrication frequency and protection, it may be necessary to clean some areas to conduct this inspection. Carefully remove any buildup of debris around the seal and lubricate the bearing. There should be a small bead of grease around the seal edge indicating the bearing is receiving sufficient lubrication.

### 2.5.4 Cleaning

Cleaning should be done with material compatible with seals following all manufacturers' instructions for use, storage, and disposal. Take precautionary safety measures and use safe operating practices, observing all relevant legal regulations when handling.

Do not expose the seal area or any other bearing opening to pressurized cleaning.

### 2.5.5 Noise, Roughness and Vibration

 Continued monitoring of equipment noise, roughness, and vibration during operation can assist in early detection of poor or unsafe components, structural failure, or poor bearing performance. The operator should be very familiar with the typical operating conditions generated by the equipment. Investigate and resolve any noted changes.

### 2.5.6 Torque


Monitoring rotational torque and any variation can not only be used to determine a bearing's condition, but can also provide early indication to a gear, joint, or other structural problem. To determine any change in torque, it is first necessary to record an initial measurement best done after testing and prior to the equipment going into service. Check torque every 700 hours of operation or every 12 months, whichever occurs first, and resolve the cause for any changes.



# Installation & Maintenance

## 2.5.7 Tilt (Clearance)

Internal bearing clearance will increase with raceway and rolling element wear. The rate of wear, along with other key bearing performance criteria will enable the end user to monitor and determine the condition of the bearing and anticipate when replacement is required. A measurement of the bearing's axial movement (tilt) is a reliable indicator of the bearing's internal clearance.

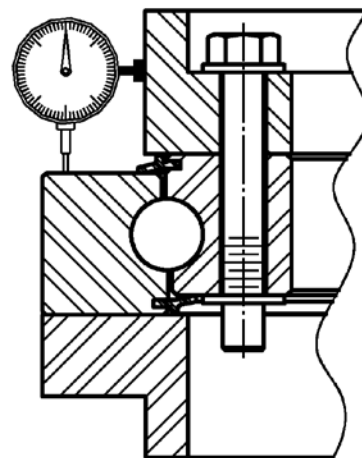
 To determine the amount of wear that has occurred, it is necessary to perform an initial tilt measurement before the equipment is put into service. Continued measurement of tilt, following the same documented procedure, is required to assist the equipment user in determining when a bearing requires removal. Tilt measurements should be taken every 700 hours of operation or every 12 months, whichever occurs first. Whenever the "increase in tilt" reaches 75% of that shown in Table 3-22, reduce the frequency of measurement to 300 hours. As the rate of wear increases, the period between measurements should decrease accordingly.

The following information is an outline for determining a bearing's tilt.

In order to perform the tilt measurement it is necessary to subject the bearing to a complete moment load reversal removing all clearance from "one side" but not exceeding 25% of maximum equipment rating. Contact KAYDON® to discuss any alternative inspections.

- Orient the equipment so the bearing is subject to a moment load.
- Permanently mark the point where the dial indicator is to be positioned for measurement on the rotating and stationary structure. This should be in line with the main load or moment load.
- Without rotation of equipment, permanently mark three additional points on the stationary structure where future measurements will be taken. These should be at locations resulting in four total points all spaced 90° apart.
- Attach a dial indicator at the initial point to an exposed diameter of one ring, or as close as possible, so that it will record relative axial movement between the bearing rings. Accuracy of the dial indicator must be 0.001" or finer. Refer to Figure 3-21.

- Set the dial indicator to zero.
- Prepare to note movement and final reading of indicator during following step.
- Without rotating the bearing ring, apply force on the rotating structure and components in a manner so it causes a complete reversal of the moment load on the bearing.
- Record the final dial indicator reading.
- Remove the recently applied force permitting the original moment load to exist on the bearing.
- The dial indicator should return to zero. If it does not, identify and correct the cause.
- Remove the dial indicator and align the permanent mark on the rotating structure with one of the three marks previously put on the stationary structure.
- Use the same procedure to record measurements at this and the remaining two locations.
- Record these readings in a service manual or other secure document for future reference.
- Compare individual readings to the initial measurements recorded at the same relative location. The increase in tilt is the maximum difference observed.




Tilt Measurement Position

**Figure 3-21**

# Installation & Maintenance

The increase in tilt is the difference in the last reading taken and the initial reading taken prior to the equipment beginning service. The maximum permissible increase in tilt is shown in Table 3-22 according to rolling element type and diameter. Replace the bearing when the difference exceeds the values shown in Table 3-22. Contact KAYDON® should there be additional questions.

## 2.5.8 Dismantling and Disposal

 Should it be necessary to remove the bearing from the equipment, proceed in reverse order of that used for installation or as close as safely possible.

Contact a KAYDON® representative concerning potential for repair or replacement. Disposal shall be in accordance with environmental and other local regulations applicable to the materials used.

**TABLE 3-22**

| ALLOWABLE TILT INCREASE<br>(in) |              |                |
|---------------------------------|--------------|----------------|
| Rolling Element                 |              |                |
| Diameter<br>$D_w$<br>(in)       | Style        |                |
|                                 | Ball<br>(in) | Roller<br>(in) |
| 0.625                           | 0.030        | 0.010          |
| 0.750                           | 0.035        | 0.012          |
| 0.875                           | 0.040        | 0.013          |
| 1.000                           | 0.045        | 0.016          |
| 1.125                           | 0.050        | 0.018          |
| 1.250                           | 0.055        | 0.020          |
| 1.375                           | 0.060        | 0.022          |
| 1.500                           | 0.065        | 0.024          |
| 1.750                           | 0.075        | 0.028          |
| 2.000                           | 0.080        | 0.032          |
| 2.250                           | 0.090        | 0.036          |
| 2.500                           | 0.100        | 0.040          |
| 2.750                           | 0.110        | —              |
| 3.000                           | 0.115        | —              |

Where  $D_w$  = Diameter of rolling element

# Installation & Maintenance

## 3. Maintenance (Guidance for Equipment Owner and/or User)

Turntable Bearings require routine maintenance to ensure optimum performance and that the life determined by the equipment designer is achieved. It is important to follow the service and maintenance recommendations contained in the equipment manufacturer's instruction manual.

### 3.1 Before Use

If there is no assurance that the bearing/gear has been lubricated within the past six months or after 100 hours of operation, introduce fresh grease according to the equipment manufacturer's instruction manual.

### 3.2 During Use

- Relubricate bearing and gear according to directions in the equipment manufacturer's instructions.
- Inspect seals, making certain that they are in proper position in grooves and intact.
  - ⚠ • Verify tension of all mounting bolts is in accordance with Owner's Manual.
  - ⚠ • Be alert to changes in torque, unusual sounds, and/or vibrations.

## 3.3 Grease Lubricants For Slewing Ring / Turntable Bearings and Their Open Gears

Selection of the lubricants used in a turntable bearing and the integral open gear is dependent on the application. The designer of the equipment is responsible for selecting an appropriate lubricant and should consult a tribologist for assistance in selecting lubricants for use in the design.

Some of the more commonly used lubricants are shown in table below. These have been used in Kaydon turntable bearings when operated in NORMAL applications. Refer to Section 2 of this catalog for further explanation. The list contains commercially available greases from major lubricant manufacturers. The lubricant properties such as oil viscosity, extreme pressure additives, resistance to water washout, low water absorption, corrosion inhibition, and oxidation resistance found in this list of greases provides an example of some of the properties readily available in the market.

Kaydon turntable bearings are pre-lubricated with a lithium-based mineral oil grease conforming to NLGI No. 1 consistency with extreme pressure additives, unless specifically noted. Any grease inserted into the bearing must be compatible with this grease. Please refer to Section 3 of this catalog for suggested lubrication procedure and frequencies along with other valuable information concerning installation, care, and maintenance.

**TABLE OF APPROPRIATE GREASE LUBRICANTS FOR  
KAYDON SLEWING RING / TURNTABLE BEARINGS AND THEIR OPEN GEARS**

| Manufacturer          | Internal Bearing Grease | Open Gear Grease                                    |
|-----------------------|-------------------------|---|
| BP                    | Energrease LS-EP 1      | -----   |
| Castrol               | HD Lithium 1            | Open Gear 800                                       |
| Chevron               | Dura-Lith EP 1          | Chevron Open Gear Grease                            |
| ExxonMobil            | Mobilux EP 1            | Mobiltac 375NC (drum)<br>Gearlube 375NC (spray can) |
| Klüber                | Klüberplex BEM 41-141   | Klüberplex AG 11-462                                |
| Lubricants USA (FINA) | Marson EPL 1            | Marson Open Gear Lubricant                          |
| Shell                 | Alvania EP 1            | Malleus GL  |
| Texaco                | Multifak EP 1           | Crater 2X (asphaltic based)                         |


# Section 4 Contents

## Bearing Tables & Ratings

- **Glossary..... pg. 46**
- **RK Series Four-Point Contact.....pgs. 47-51**
- **HS Series Four-Point Contact ..... pgs. 52-56**
- **HT Series Four-Point Contact .....pgs. 57-61**
- **MT Series Four-Point Contact ..... pgs. 63-69**
- **Pinions for RK, HS & MT Series ..... pg. 70**
- **KH Series Four-Point Contact.....pgs. 71-74**
- **XT Series Four-Point Contact ..... pgs. 75-84**
- **DT Series Eight-Point Contact..... pgs. 85-94**
- **XR Series Cross Roller.....pgs. 95-101**
- **TR Series Three-Row Roller ..... pgs. 103-112**

# GLOSSARY of Abbreviations & Symbols Used in This Guide

| BEARING AND GEAR DIMENSIONS |   |        |
|-----------------------------|---|--------|
| SYMBOL                      | FEATURE   | UNITS  |
| $\alpha$                    | Pressure angle of gear teeth  | °      |
| $b_2$                       | Face width of gear teeth  | in     |
| $B_i$                       | Size of hole in inner ring  | in     |
| $B_o$                       | Size of hole in outer ring  | in     |
| $D_2$                       | Pitch diameter of gear  | in     |
| $d_i$                       | Inside diameter of inner ring   | in     |
| $D_i$                       | Internal diameter on outer ring   | in     |
| $D_o$                       | Outside diameter of outer ring  | in     |
| $d_o$                       | External diameter on inner ring   | in     |
| $D_p$                       | Diameter of bearing raceway   | in     |
| $d_r$                       | Internal diameter on inner ring   | in     |
| $D_r$                       | External diameter on outer ring   | in     |
| $D_w$                       | Diameter of rolling element   | in     |
| FD                          | Full depth involute spur gear<br>(ref. ANSI B6.1-1968, R1974 or ISO 53:1998)  | -      |
| FS                          | Fellows stub involute spur gear<br>(ref. Machinery's Handbook, 18th Edition)  | -      |
| H                           | Height of overall bearing assembly  | in     |
| $H_i$                       | Height of inner ring  | in     |
| $H_o$                       | Height of outer ring  | in     |
| $L_i$                       | Bolt circle in inner ring   | in     |
| $L_o$                       | Bolt circle in outer ring   | in     |
| m                           | Module of gear teeth = $25.4/P_d$   | mm     |
| $n_f$                       | Number of lubrication nipples/fittings per plane  | -      |
| $n_i$                       | Number holes in inner ring  | -      |
| $n_o$                       | Number holes in outer ring  | -      |
| $P_d$                       | Diametral pitch   | -      |
| SD                          | Stub involute spur gear<br>(ref. ASA B6.1-1932)   | -      |
| $x_2$                       | Addendum modification coefficient of gear teeth, ("+" sign increases tooth thickness at $D_2$ and "-" sign decreases tooth thickness at $D_2$ ) | -      |
| $z_2$                       | Number of gear teeth  | -      |
| BEARING AND GEAR PROPERTIES |   |        |
| SYMBOL                      | FEATURE   | UNITS  |
| $C_{rm}$                    | Moment load rating  | ft-lbs |
| $F_z$                       | Maximum allowable gear tooth load   | lbs    |
| G                           | Weight of bearing assembly  | lbs    |
| $M_w$                       | Friction torque of bearing, installed and subjected to loads  | ft-lbs |

| PINION DIMENSIONS   |   |               |
|---|---|---------------|
| SYMBOL  | FEATURE   | UNITS         |
| $b_1$   | Face width                                      | in            |
| $D_1$   | Pitch diameter                                  | in            |
| $D_{i1}$  | Stock bore                                      | in            |
| $D_{o1}$  | Outside diameter                                | in            |
| $D_{r1}$  | Diameter of hub                                 | in            |
| $L_1$   | Length of pinion                                | in            |
| $P_d$   | Diametral pitch                                 | -             |
| w   | Square key size, nominal                        | in            |
| $x_1$   | Addendum modification coefficient               | -             |
| $z_1$   | Number of teeth                                 | -             |
| APPLICATION DATA  |   |               |
| SYMBOL  | FEATURE   | UNITS         |
| $f_a$   | Application Service Factor                      | -             |
| $F_a$   | Force parallel to bearing axis of rotation      | lbs           |
| $F_r$   | Force perpendicular to bearing axis of rotation | lbs           |
| $M_k$   | Tilting moment about bearing centerline         | ft-lbs        |
| N   | Rotational speed                                | rpm           |
| $\mu$   | Friction coefficient                            | -             |
| MISCELLANEOUS   |   |               |
| SYMBOL  | FEATURE   | UNITS         |
| ft  | Linear unit of measurement                      | foot          |
| ft-lbs  | Units of torque or moment                       | foot - pounds |
| in  | Linear unit of measurement                      | inch          |
| lbs   | Units of force or weight                        | pounds        |
| mm  | Linear unit of measurement (SI)                 | millimeter    |
|  | Warning   | -             |
| REFERENCES  |   |               |
| AGMA  | American Gear Manufacturers Association         |               |
| ANSI  | American National Standards Institute           |               |
| ASTM  | American Society for Testing and Materials      |               |
| DIN   | Deutsches Institut für Normung                  |               |
| ISO   | International Standards Organization            |               |
| NLGI  | National Lubricating Grease Institute           |               |
| SAE   | Society of Automotive Engineers                 |               |

# RK Series

## Introduction

RK Series bearings have a flanged cross-section on one or both rings and range in size from 20 – 47 inches OD (500 – 1200 mm). The flanged design reduces weight and provides the equipment designer greater flexibility for configuration of adjacent mounting structures and bolting arrangements. RK Series bearings are well suited for many applications where a large diameter and lighter weight are predominant factors in selection of a bearing.

## Design Features

The internal configuration is a deep-groove gothic arch raceway, which provides four points of contact with the balls, enabling the bearing to simultaneously carry radial, axial, and moment loads. The use of spacer balls alternated with load balls allows for lower rotational torque and superior performance in applications involving oscillatory movement. Integral face-riding seals are provided to assist in the exclusion of contaminants.

RK Series bearings are offered in non-geared, internally geared, and externally geared configurations for maximum design flexibility. The gears are Involute Stub designs with 20° pressure angles, manufactured to AGMA Class Q5 quality and .005 to .015 inches allowance for backlash.

All models feature four fittings for lubrication, spaced 90 degrees apart. On non-geared and internal geared models, they are located on the outer counterbore diameter ( $D_1$ ). On external geared models, they are located on the inner counterbore diameter ( $d_1$ ).



## Availability

RK Series bearings are available from stock, and mating pinions for the geared versions are also available. See page 70 for mating pinions.

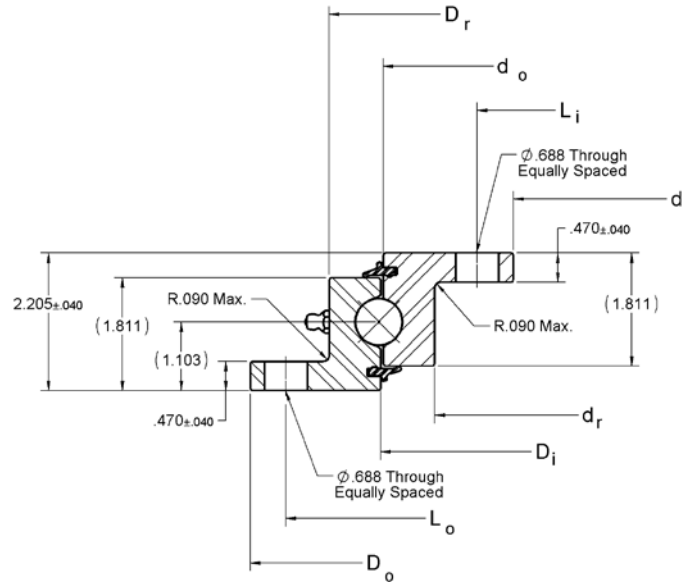
## Applications

RK Series bearings have been used successfully in a variety of light to medium duty applications including:

- Small cranes, booms, and lifts
- Industrial positioners and rotary tables
- Chute swivels
- Stretch wrapping machines
- Bottle filling machines
- Conveyors and related material handling equipment
- Rotating displays



# RK Series



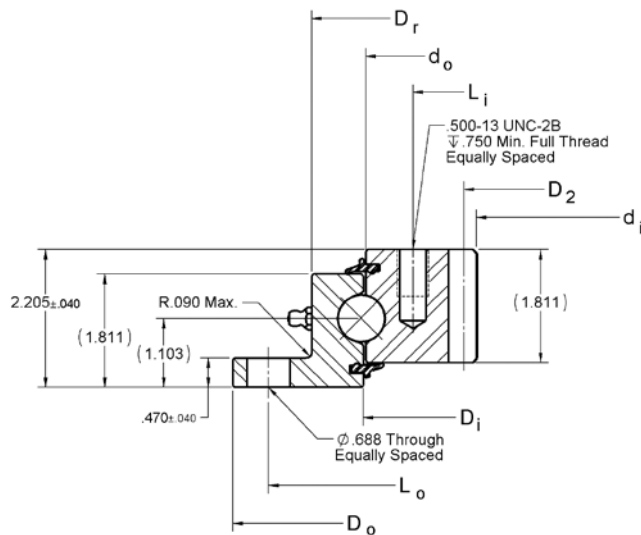
## NO GEAR

| KAYDON P/N | OUTLINE DIMENSIONS AND WEIGHT |               |                      |               |               |                      |                       |
|------------|-------------------------------|---------------|----------------------|---------------|---------------|----------------------|-----------------------|
|            | $D_o$<br>(in)                 | $d_i$<br>(in) | $D_r$<br>(in)        | $D_i$<br>(in) | $d_o$<br>(in) | $d_r$<br>(in)        | G<br>APPROX.<br>(lbs) |
| RK6-16P1Z  | 20.390                        | 11.970        | 17.870               | 16.220        | 16.140        | 14.490               | 58                    |
| RK6-22P1Z  | 25.510                        | 17.090        | 22.990               | 21.340        | 21.260        | 19.610               | 76                    |
| RK6-25P1Z  | 29.450                        | 21.030        | 26.930               | 25.280        | 25.200        | 23.550               | 89                    |
| RK6-29P1Z  | 33.390                        | 24.970        | 30.870               | 29.220        | 29.140        | 27.490               | 104                   |
| RK6-33P1Z  | 37.320                        | 28.900        | 34.800               | 33.150        | 33.070        | 31.420               | 118                   |
| RK6-37P1Z  | 41.260                        | 32.840        | 38.740               | 37.090        | 37.010        | 35.360               | 132                   |
| RK6-43P1Z  | 47.170                        | 38.750        | 44.650               | 43.000        | 42.920        | 41.270               | 153                   |
| Tolerances | $\pm .040$                    | $\pm .040$    | $+ .000$<br>$- .080$ | Ref.          | Ref.          | $+ .080$<br>$- .000$ |                       |

| KAYDON P/N | MOUNTING HOLES |       |               |       | GEAR DATA<br>INV. STUB, $\alpha = 20^\circ$ |       |       |                | MOMENT<br>RATING<br>$C_{rm}$<br>(ft-lbs) |
|------------|----------------|-------|---------------|-------|---|-------|-------|----------------|--|
|            | OUTER RING     |       | INNER RING    |       | $D_2$<br>(in)                               | $P_d$ | $z_2$ | $F_z$<br>(lbs) |  |
|            | $L_o$<br>(in)  | $n_o$ | $L_i$<br>(in) | $n_i$ |   |       |       |                |  |
| RK6-16P1Z  | 19.250         | 8     | 13.130        | 12    | —   | —     | —     | —              | 22,700                                   |
| RK6-22P1Z  | 24.380         | 12    | 18.130        | 15    | —   | —     | —     | —              | 37,700                                   |
| RK6-25P1Z  | 28.380         | 12    | 22.130        | 18    | —   | —     | —     | —              | 49,800                                   |
| RK6-29P1Z  | 32.250         | 15    | 26.130        | 18    | —   | —     | —     | —              | 54,200                                   |
| RK6-33P1Z  | 36.250         | 18    | 30.000        | 18    | —   | —     | —     | —              | 56,500                                   |
| RK6-37P1Z  | 40.130         | 18    | 34.000        | 20    | —   | —     | —     | —              | 65,200                                   |
| RK6-43P1Z  | 46.000         | 18    | 39.880        | 24    | —   | —     | —     | —              | 75,500                                   |

Not quite what you need? Contact Kaydon to inquire about custom features such as different mounting holes, internal clearance, pilot diameters, drive arrangements, or ENDURAKOTE® plating.

# RK Series



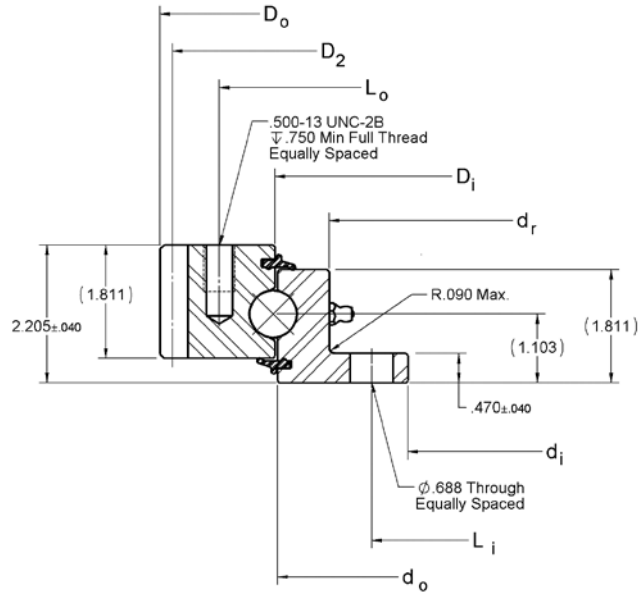
## INTERNAL GEAR

| KAYDON P/N | OUTLINE DIMENSIONS AND WEIGHT |                    |                    |               |               |               |                       |
|------------|-------------------------------|--------------------|--------------------|---------------|---------------|---------------|-----------------------|
|            | $D_o$<br>(in)                 | $d_i$<br>(in)      | $D_r$<br>(in)      | $D_i$<br>(in) | $d_o$<br>(in) | $d_r$<br>(in) | G<br>APPROX.<br>(lbs) |
| RK6-16N1Z  | 20.390                        | 12.850             | 17.870             | 16.220        | 16.140        | —             | 65                    |
| RK6-22N1Z  | 25.510                        | 17.600             | 22.990             | 21.340        | 21.260        | —             | 90                    |
| RK6-25N1Z  | 29.450                        | 21.600             | 26.930             | 25.280        | 25.200        | —             | 106                   |
| RK6-29N1Z  | 33.390                        | 25.600             | 30.870             | 29.220        | 29.140        | —             | 121                   |
| RK6-33N1Z  | 37.320                        | 29.133             | 34.800             | 33.150        | 33.070        | —             | 148                   |
| RK6-37N1Z  | 41.260                        | 33.133             | 38.740             | 37.090        | 37.010        | —             | 165                   |
| RK6-43N1Z  | 47.170                        | 39.133             | 44.650             | 43.000        | 42.920        | —             | 188                   |
| Tolerances | $\pm .040$                    | $+.030$<br>$-.000$ | $+.000$<br>$-.080$ | Ref.          | Ref.          | Ref.          |                       |

| KAYDON P/N | MOUNTING HOLES |       |               |       | GEAR DATA<br>INV. STUB, $\alpha = 20^\circ$ |       |       |                | MOMENT<br>RATING<br>$C_{rm}$<br>(ft-lbs) |
|------------|----------------|-------|---------------|-------|---|-------|-------|----------------|--|
|            | OUTER RING     |       | INNER RING    |       | $D_2$<br>(in)                               | $P_d$ | $z_2$ | $F_z$<br>(lbs) |  |
|            | $L_o$<br>(in)  | $n_o$ | $L_i$<br>(in) | $n_i$ |   |       |       |                |  |
| RK6-16N1Z  | 19.250         | 8     | 14.880        | 12    | 13.250                                      | 4     | 53    | 6800           | 22,700                                   |
| RK6-22N1Z  | 24.380         | 10    | 19.630        | 15    | 18.000                                      | 4     | 72    | 6530           | 37,700                                   |
| RK6-25N1Z  | 28.380         | 12    | 23.630        | 18    | 22.000                                      | 4     | 88    | 6400           | 49,800                                   |
| RK6-29N1Z  | 32.250         | 15    | 27.630        | 18    | 26.000                                      | 4     | 104   | 6300           | 54,200                                   |
| RK6-33N1Z  | 36.250         | 18    | 31.500        | 18    | 29.667                                      | 3     | 89    | 8520           | 56,500                                   |
| RK6-37N1Z  | 40.130         | 18    | 35.500        | 20    | 33.667                                      | 3     | 101   | 8420           | 65,200                                   |
| RK6-43N1Z  | 46.000         | 18    | 41.500        | 24    | 39.667                                      | 3     | 119   | 8340           | 75,500                                   |

Not quite what you need? Contact Kaydon to inquire about custom features such as different mounting holes, internal clearance, pilot diameters, drive arrangements, or ENDURAKOTE® plating.

# RK Series



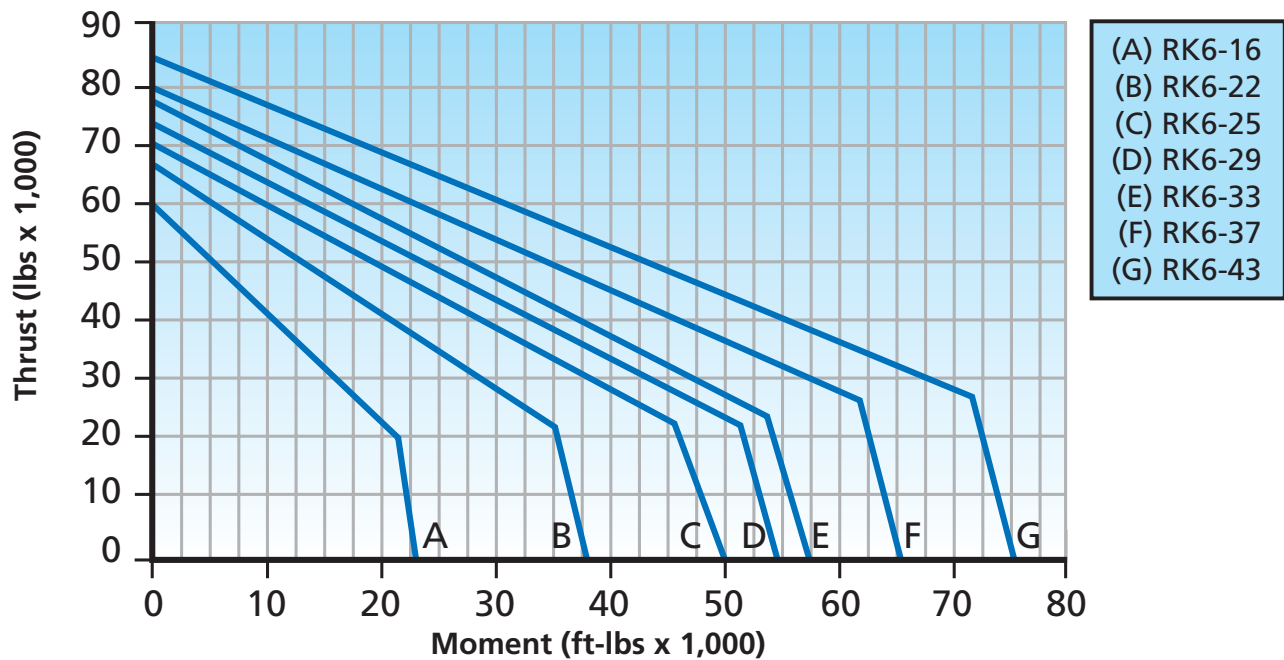
## EXTERNAL GEAR

| KAYDON P/N | OUTLINE DIMENSIONS AND WEIGHT |               |               |               |               |                  |                       |
|------------|-------------------------------|---------------|---------------|---------------|---------------|------------------|-----------------------|
|            | $D_o$<br>(in)                 | $d_i$<br>(in) | $D_r$<br>(in) | $D_i$<br>(in) | $d_o$<br>(in) | $d_r$<br>(in)    | G<br>APPROX.<br>(lbs) |
| RK6-16E1Z  | 19.900                        | 11.970        | —             | 16.220        | 16.140        | 14.490           | 72                    |
| RK6-22E1Z  | 25.150                        | 17.090        | —             | 21.340        | 21.260        | 19.610           | 96                    |
| RK6-25E1Z  | 29.150                        | 21.030        | —             | 25.280        | 25.200        | 23.550           | 115                   |
| RK6-29E1Z  | 32.900                        | 24.970        | —             | 29.220        | 29.140        | 27.490           | 128                   |
| RK6-33E1Z  | 37.200                        | 28.900        | —             | 33.150        | 33.070        | 31.420           | 152                   |
| RK6-37E1Z  | 41.200                        | 32.840        | —             | 37.090        | 37.010        | 35.360           | 172                   |
| RK6-43E1Z  | 46.867                        | 38.750        | —             | 43.000        | 42.920        | 41.270           | 189                   |
| Tolerances | +0.000<br>-0.030              | ±.040         | Ref.          | Ref.          | Ref.          | +0.080<br>-0.000 |                       |

| KAYDON P/N | MOUNTING HOLES |       |               |       | GEAR DATA<br>INV. STUB, $\alpha = 20^\circ$ |       |       |                | MOMENT<br>RATING<br>$C_{rm}$<br>(ft-lbs) |
|------------|----------------|-------|---------------|-------|---|-------|-------|----------------|--|
|            | OUTER RING     |       | INNER RING    |       | $D_2$<br>(in)                               | $P_d$ | $z_2$ | $F_z$<br>(lbs) |  |
|            | $L_o$<br>(in)  | $n_o$ | $L_i$<br>(in) | $n_i$ |   |       |       |                |  |
| RK6-16E1Z  | 18.000         | 8     | 13.130        | 12    | 19.500                                      | 4     | 78    | 5,560          | 22,700                                   |
| RK6-22E1Z  | 23.250         | 12    | 18.130        | 15    | 24.750                                      | 4     | 99    | 5,650          | 37,700                                   |
| RK6-25E1Z  | 27.250         | 15    | 22.130        | 18    | 28.750                                      | 4     | 115   | 5,700          | 49,800                                   |
| RK6-29E1Z  | 31.000         | 18    | 26.130        | 18    | 32.500                                      | 4     | 130   | 5,740          | 54,200                                   |
| RK6-33E1Z  | 35.000         | 18    | 30.000        | 18    | 36.667                                      | 3     | 110   | 7,580          | 56,500                                   |
| RK6-37E1Z  | 38.880         | 18    | 34.000        | 20    | 40.667                                      | 3     | 122   | 7,620          | 65,200                                   |
| RK6-43E1Z  | 44.630         | 20    | 39.880        | 24    | 46.333                                      | 3     | 139   | 7,680          | 75,500                                   |

Not quite what you need? Contact Kaydon to inquire about custom features such as different mounting holes, internal clearance, pilot diameters, drive arrangements, or ENDURAKOTE® plating.

# RK Series Load Charts



Rating Charts are only applicable for operating conditions defined as NORMAL OPERATION in Section 2 and when installed and maintained as defined in Section 3 of this catalog. Bearing diameter increase does not necessarily ensure bearing rating increase due to variations in rolling elements, ring section, and fastener complements. For information concerning the basis for development of Rating Charts refer to the LOAD RATING paragraph in Section 2.

# HS Series

## Introduction

HS Series turntable bearings are similar in size to the RK Series, but have rectangular cross sections, which allows for alternate hole patterns and improves stiffness and potential for more capacity. They are available in sizes from 20 – 47 inches OD (500 – 1200 mm) with a standard cross section.

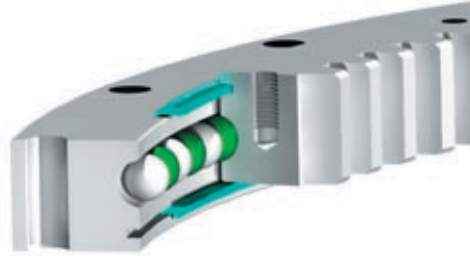
## Design Features

The internal configuration consists of deep groove gothic arch raceways and maximum ball complement. This results in a four-point contact design which provides exceptional moment, thrust, and radial load capacities. Integral seals are provided to assist in the exclusion of contaminants.

Geared rings have tapped holes, while non-geared rings have through holes.

HS Series bearings are available in internal geared, external geared, and non-geared configurations. The gears are Involute Stub designs with 20° pressure angles, manufactured to AGMA Class Q5 and .015 to .025 inches allowance for backlash.

All models feature two fittings for lubrication, spaced 180 degrees apart. On non-geared and internal geared models, the fittings are located on the outer diameter ( $D_o$ ). On the external geared models, the fittings are located on the inner diameter ( $d_i$ ).



## Availability

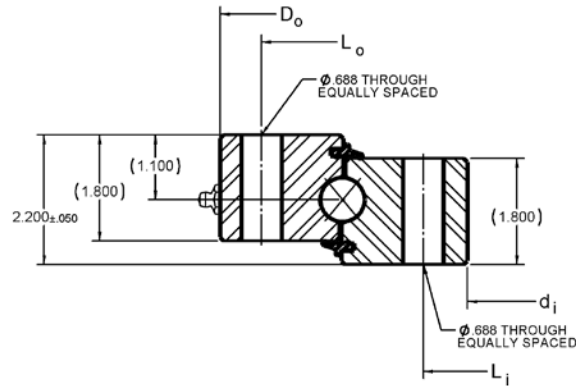
Forgings for HS Series bearings are stocked, and the finished bearings can usually be delivered promptly. Mating pinions are also available and can be found on page 70.

## Applications

HS Series bearings have been used successfully in a variety of medium to heavy duty applications including:

- Cranes
- Aerial lifts
- Digger derricks
- Chute swivels
- Lift truck rotators
- Industrial turntables

# HS Series

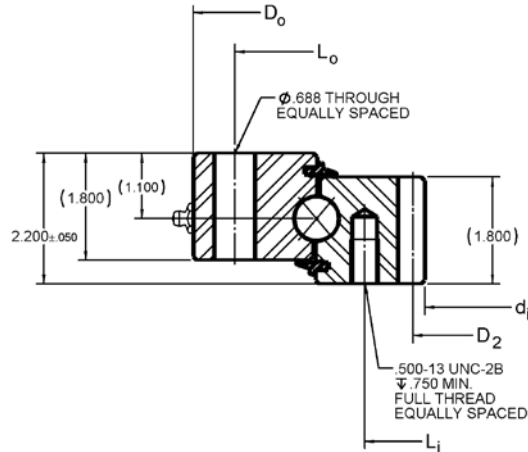


## NO GEAR

| KAYDON P/N | OUTLINE DIMENSIONS AND WEIGHT |               |                       | MOUNTING HOLES |       |               |       | GEAR DATA<br>INV. STUB, $\alpha = 20^\circ$ |       |       |                | MOMENT RATING<br>$C_{rm}$<br>(ft-lbs) |
|------------|-------------------------------|---------------|-----------------------|----------------|-------|---------------|-------|---|-------|-------|----------------|---------------------------------------|
|            |                               |               |                       | OUTER RING     |       | INNER RING    |       | $D_2$<br>(in)                               | $P_d$ | $z_2$ | $F_z$<br>(lbs) |                                       |
|            | $D_o$<br>(in)                 | $d_i$<br>(in) | G<br>APPROX.<br>(lbs) | $L_o$<br>(in)  | $n_o$ | $L_i$<br>(in) | $n_i$ |   |       |       |                |                                       |
| HS6-16P1Z  | 20.400                        | 12.000        | 103                   | 19.000         | 8     | 13.500        | 12    | —   | —     | —     | —              | 50,500                                |
| HS6-21P1Z  | 25.500                        | 17.000        | 137                   | 24.000         | 12    | 18.500        | 15    | —   | —     | —     | —              | 72,700                                |
| HS6-25P1Z  | 29.500                        | 21.000        | 162                   | 28.000         | 15    | 22.500        | 18    | —   | —     | —     | —              | 91,800                                |
| HS6-29P1Z  | 33.400                        | 25.000        | 186                   | 32.000         | 15    | 26.500        | 18    | —   | —     | —     | —              | 111,900                               |
| HS6-33P1Z  | 37.400                        | 28.830        | 216                   | 35.750         | 18    | 30.500        | 20    | —   | —     | —     | —              | 128,000                               |
| HS6-37P1Z  | 41.250                        | 32.830        | 233                   | 39.750         | 18    | 34.380        | 20    | —   | —     | —     | —              | 130,900                               |
| HS6-43P1Z  | 47.180                        | 38.750        | 269                   | 45.620         | 20    | 40.250        | 24    | —   | —     | —     | —              | 139,900                               |



# HS Series

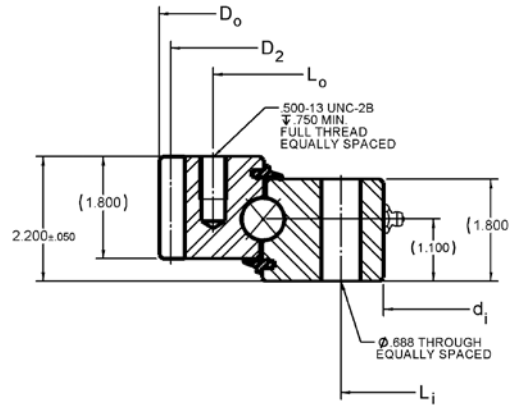


## INTERNAL GEAR

| KAYDON P/N | OUTLINE DIMENSIONS AND WEIGHT |               |                       | MOUNTING HOLES |       |               |       | GEAR DATA<br>INV. STUB, $\alpha = 20^\circ$ |       |       |                | MOMENT RATING<br>$C_{rm}$<br>(ft-lbs) |
|------------|-------------------------------|---------------|-----------------------|----------------|-------|---------------|-------|---|-------|-------|----------------|---------------------------------------|
|            |                               |               |                       | OUTER RING     |       | INNER RING    |       |   |       |       |                |                                       |
|            | $D_o$<br>(in)                 | $d_i$<br>(in) | G<br>APPROX.<br>(lbs) | $L_o$<br>(in)  | $n_o$ | $L_i$<br>(in) | $n_i$ | $D_2$<br>(in)                               | $P_d$ | $z_2$ | $F_z$<br>(lbs) |                                       |
| HS6-16N1Z  | 20.400                        | 12.850        | 92                    | 19.000         | 8     | 14.880        | 16    | 13.250                                      | 4     | 53    | 6,084          | 50,500                                |
| HS6-21N1Z  | 25.500                        | 17.600        | 117                   | 24.000         | 12    | 19.630        | 20    | 18.000                                      | 4     | 72    | 5,842          | 72,700                                |
| HS6-25N1Z  | 29.500                        | 21.600        | 148                   | 28.000         | 15    | 23.630        | 24    | 22.000                                      | 4     | 88    | 5,719          | 91,800                                |
| HS6-29N1Z  | 33.400                        | 25.600        | 171                   | 32.000         | 15    | 27.630        | 28    | 26.000                                      | 4     | 104   | 5,634          | 111,900                               |
| HS6-33N1Z  | 37.400                        | 29.130        | 205                   | 35.750         | 18    | 31.500        | 30    | 29.667                                      | 3     | 89    | 7,617          | 128,000                               |
| HS6-37N1Z  | 41.250                        | 31.130        | 226                   | 39.750         | 18    | 35.500        | 32    | 33.667                                      | 3     | 101   | 7,531          | 130,900                               |
| HS6-43N1Z  | 47.180                        | 39.130        | 253                   | 45.620         | 20    | 41.500        | 36    | 39.667                                      | 3     | 119   | 7,434          | 139,900                               |

**Not quite what you need?** Contact Kaydon to inquire about custom features such as different mounting holes, internal clearance, pilot diameters, drive arrangements, or ENDURAKOTE® plating.

# HS Series

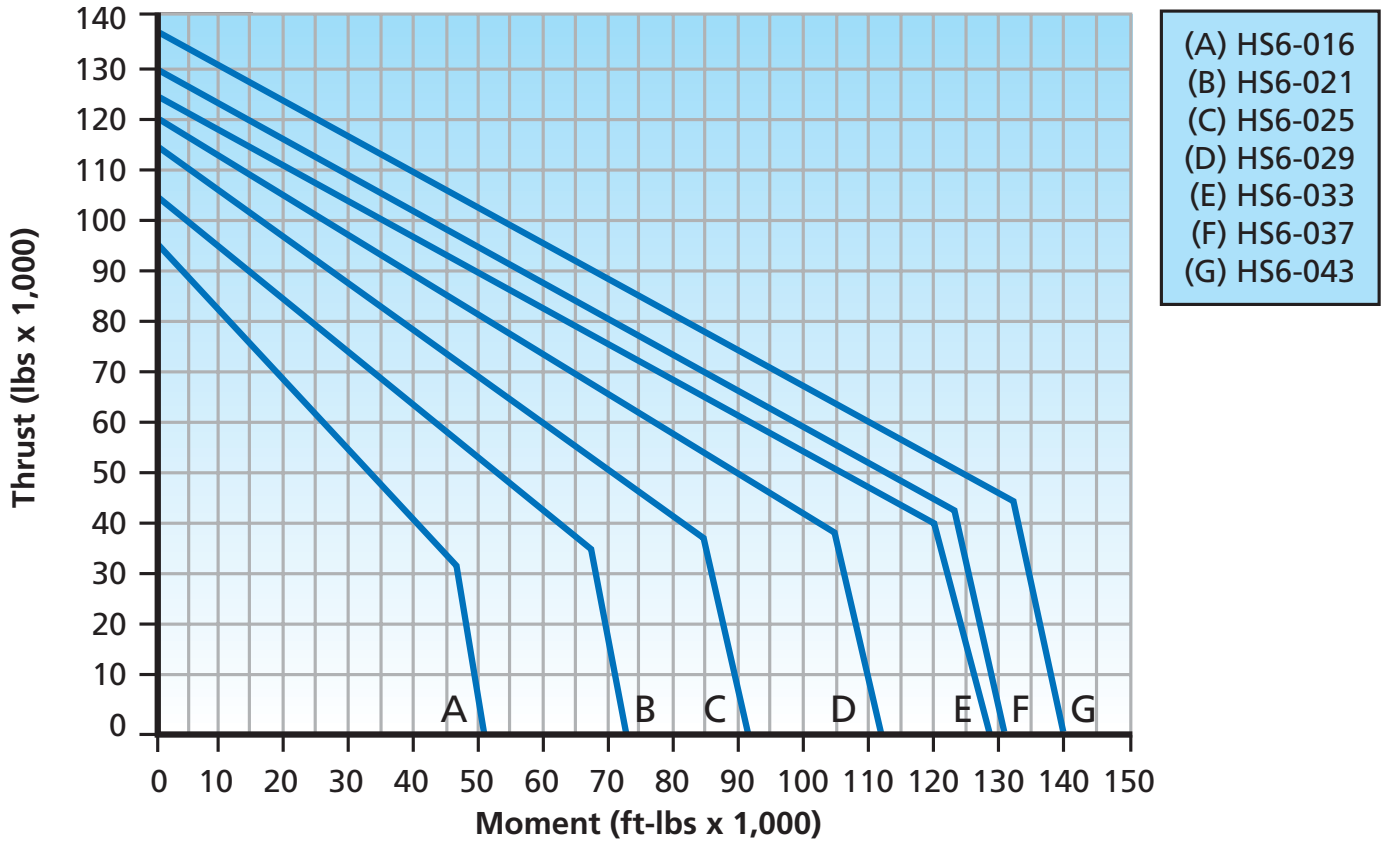


## EXTERNAL GEAR


| KAYDON P/N | OUTLINE DIMENSIONS AND WEIGHT |               |                         | MOUNTING HOLES |       |               |       | GEAR DATA<br>INV. STUB, $\alpha = 20^\circ$ |       |       |                | MOMENT RATING<br>$C_{rm}$<br>(ft-lbs) |
|------------|-------------------------------|---------------|-------------------------|----------------|-------|---------------|-------|---|-------|-------|----------------|---------------------------------------|
|            |                               |               |                         | OUTER RING     |       | INNER RING    |       | $D_2$<br>(in)                               | $P_d$ | $z_2$ | $F_z$<br>(lbs) |                                       |
|            | $D_o$<br>(in)                 | $d_i$<br>(in) | $G$<br>APPROX.<br>(lbs) | $L_o$<br>(in)  | $n_o$ | $L_i$<br>(in) | $n_i$ |   |       |       |                |                                       |
| HS6-16E1Z  | 19.900                        | 12.000        | 85                      | 18.000         | 14    | 13.500        | 12    | 19.500                                      | 4     | 78    | 4,981          | 50,500                                |
| HS6-21E1Z  | 25.150                        | 17.000        | 108                     | 23.250         | 18    | 18.500        | 15    | 24.750                                      | 4     | 99    | 5,076          | 72,700                                |
| HS6-25E1Z  | 29.150                        | 21.000        | 137                     | 27.250         | 20    | 22.500        | 18    | 28.750                                      | 4     | 115   | 5,127          | 91,800                                |
| HS6-29E1Z  | 32.900                        | 25.000        | 158                     | 31.000         | 24    | 26.500        | 18    | 32.500                                      | 4     | 130   | 5,164          | 111,900                               |
| HS6-33E1Z  | 37.200                        | 28.830        | 188                     | 35.000         | 28    | 30.500        | 20    | 36.667                                      | 3     | 110   | 6,817          | 128,000                               |
| HS6-37E1Z  | 41.200                        | 32.830        | 207                     | 38.880         | 28    | 34.380        | 20    | 40.667                                      | 3     | 122   | 6,860          | 130,900                               |
| HS6-43E1Z  | 46.870                        | 38.750        | 237                     | 44.630         | 32    | 40.250        | 24    | 46.333                                      | 3     | 139   | 6,910          | 139,900                               |

**Not quite what you need?** Contact Kaydon to inquire about custom features such as different mounting holes, internal clearance, pilot diameters, drive arrangements, or ENDURAKOTE® plating.

# HS Series Load Chart



Section 4 – Bearing Tables & Ratings

 Rating Charts are only applicable for operating conditions defined as NORMAL OPERATION in Section 2 and when installed and maintained as defined in Section 3 of this catalog. Bearing diameter increase does not necessarily ensure bearing rating increase due to variations in rolling elements, ring section, and fastener complements. For information concerning the basis for development of Rating Charts refer to the LOAD RATING paragraph in Section 2.

**Not quite what you need?** Contact Kaydon to inquire about custom features such as different mounting holes, internal clearance, pilot diameters, drive arrangements, or ENDURAKOTE® plating.

# HT Series

## Introduction

HT Series turntable bearings are larger versions of the HS Series, with increased ball diameter and cross-sectional area providing substantially more capacity. They range in size from 36 – 66 inches OD (900 – 1700 mm) with a standard cross section.

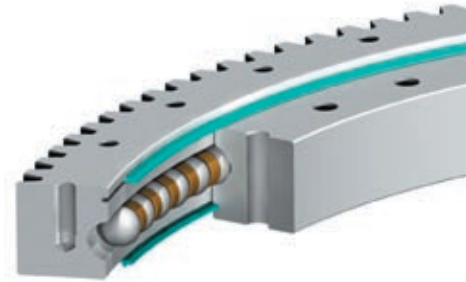
## Design Features

The internal configuration consists of deep groove gothic arch raceways and maximum ball complement. This results in a four-point contact design which provides exceptional moment, thrust, and radial load capacities. Integral seals are provided to assist in the exclusion of contaminants.

Geared rings have tapped holes, while non-geared rings have through holes.

HT Series bearings are available in internal geared, external geared, and non-geared configurations. The gears are Involute Stub designs with 20° pressure angles, manufactured to AGMA Class Q5 and .015 to .025 inches allowance for backlash.

All models feature two fittings for lubrication, spaced 180 degrees apart. On non-geared and internal geared models, the fittings are located on the outer diameter ( $D_o$ ). On the external-geared models, the fittings are located on the inner diameter ( $d_i$ ).



## Availability

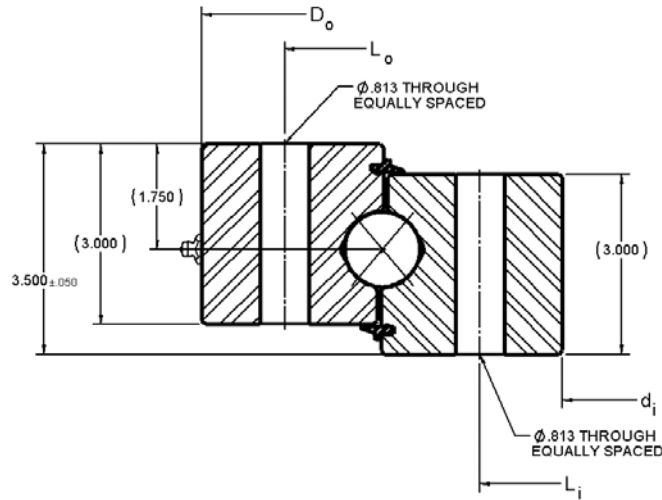
HT Series bearings are made to order and can require a longer lead time as forgings are not stocked.

## Applications

HT Series bearings have been used successfully in a variety of medium to heavy duty applications including:

- Cranes
- Aerial lifts
- Digger derricks
- Chute swivels
- Lift truck rotators
- Industrial turntables

# HT Series

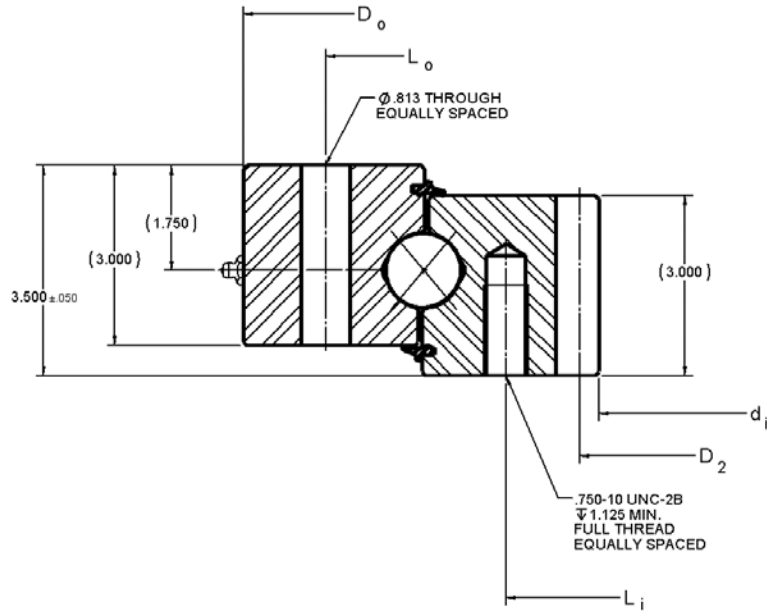


## NO GEAR

| KAYDON P/N | OUTLINE DIMENSIONS AND WEIGHT |               |                       | MOUNTING HOLES |       |               |       | GEAR DATA<br>INV. STUB, $\alpha = 20^\circ$ |       |       |                | MOMENT RATING<br>$C_{rm}$<br>(ft-lbs) |
|------------|-------------------------------|---------------|-----------------------|----------------|-------|---------------|-------|---|-------|-------|----------------|---------------------------------------|
|            |                               |               |                       | OUTER RING     |       | INNER RING    |       | $D_2$<br>(in)                               | $P_d$ | $z_2$ | $F_z$<br>(lbs) |                                       |
|            | $D_o$<br>(in)                 | $d_i$<br>(in) | G<br>APPROX.<br>(lbs) | $L_o$<br>(in)  | $n_o$ | $L_i$<br>(in) | $n_i$ |   |       |       |                |                                       |
| HT10-30P1Z | 36.000                        | 24.000        | 447                   | 33.250         | 24    | 26.750        | 30    | —   | —     | —     | —              | 340,000                               |
| HT10-36P1Z | 42.000                        | 30.000        | 521                   | 39.250         | 28    | 32.750        | 32    | —   | —     | —     | —              | 395,700                               |
| HT10-42P1Z | 48.000                        | 36.000        | 628                   | 45.250         | 32    | 38.750        | 36    | —   | —     | —     | —              | 457,000                               |
| HT10-48P1Z | 54.000                        | 42.000        | 719                   | 51.250         | 36    | 44.750        | 40    | —   | —     | —     | —              | 517,900                               |
| HT10-54P1Z | 60.000                        | 48.000        | 809                   | 57.250         | 40    | 50.750        | 44    | —   | —     | —     | —              | 578,400                               |
| HT10-60P1Z | 66.000                        | 54.000        | 865                   | 63.250         | 44    | 56.750        | 48    | —   | —     | —     | —              | 638,800                               |



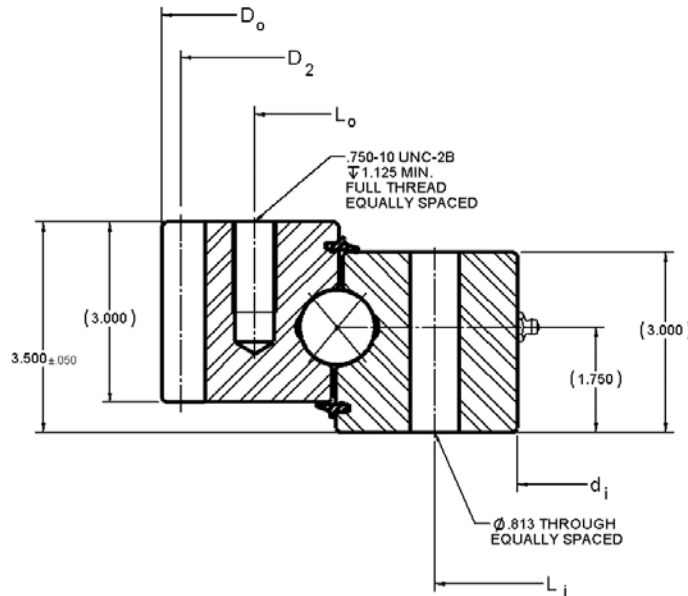
# HT Series



## INTERNAL GEAR

| KAYDON P/N | OUTLINE DIMENSIONS AND WEIGHT |               |                         | MOUNTING HOLES |       |               |       | GEAR DATA<br>INV. STUB, $\alpha = 20^\circ$ |       |       |                | MOMENT RATING<br>$C_{rm}$<br>(ft-lbs) |
|------------|-------------------------------|---------------|-------------------------|----------------|-------|---------------|-------|---|-------|-------|----------------|---------------------------------------|
|            |                               |               |                         | OUTER RING     |       | INNER RING    |       | $D_2$<br>(in)                               | $P_d$ | $z_2$ | $F_z$<br>(lbs) |                                       |
|            | $D_o$<br>(in)                 | $d_i$<br>(in) | $G$<br>APPROX.<br>(lbs) | $L_o$<br>(in)  | $n_o$ | $L_i$<br>(in) | $n_i$ |   |       |       |                |                                       |
| HT10-30N1Z | 36.000                        | 24.160        | 411                     | 33.250         | 24    | 27.250        | 30    | 24.800                                      | 2.5   | 62    | 21,783         | 340,000                               |
| HT10-36N1Z | 42.000                        | 30.160        | 517                     | 39.250         | 28    | 33.250        | 32    | 30.800                                      | 2.5   | 77    | 21,195         | 395,700                               |
| HT10-42N1Z | 48.000                        | 36.160        | 580                     | 45.250         | 32    | 39.250        | 36    | 36.800                                      | 2.5   | 92    | 20,819         | 457,000                               |
| HT10-48N1Z | 54.000                        | 42.160        | 689                     | 51.250         | 36    | 45.250        | 40    | 42.800                                      | 2.5   | 107   | 20,548         | 517,900                               |
| HT10-54N1Z | 60.000                        | 48.160        | 775                     | 57.250         | 40    | 51.250        | 44    | 48.800                                      | 2.5   | 122   | 20,344         | 578,400                               |
| HT10-60N1Z | 66.000                        | 54.160        | 842                     | 63.250         | 44    | 57.250        | 48    | 54.800                                      | 2.5   | 137   | 20,185         | 638,800                               |

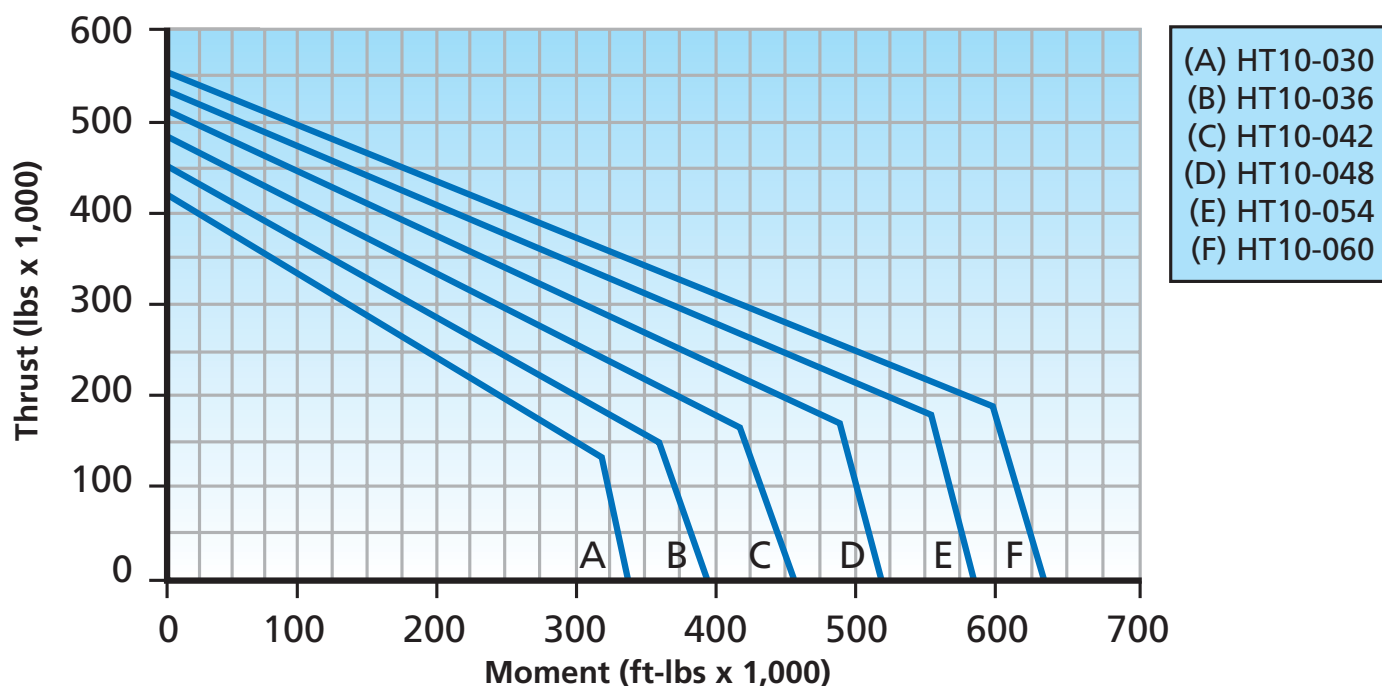
# HT Series



## EXTERNAL GEAR

| KAYDON P/N | OUTLINE DIMENSIONS AND WEIGHT |               |                         | MOUNTING HOLES |       |               |       | GEAR DATA<br>INV. STUB, $\alpha = 20^\circ$ |       |       |                | MOMENT RATING<br>$C_{rm}$<br>(ft-lbs) |
|------------|-------------------------------|---------------|-------------------------|----------------|-------|---------------|-------|---|-------|-------|----------------|---------------------------------------|
|            |                               |               |                         | OUTER RING     |       | INNER RING    |       | $D_2$<br>(in)                               | $P_d$ | $z_2$ | $F_z$<br>(lbs) |                                       |
|            | $D_o$<br>(in)                 | $d_i$<br>(in) | $G$<br>APPROX.<br>(lbs) | $L_o$<br>(in)  | $n_o$ | $L_i$<br>(in) | $n_i$ |   |       |       |                |                                       |
| HT10-30E1Z | 35.840                        | 24.000        | 398                     | 32.750         | 24    | 26.750        | 30    | 35.200                                      | 2.5   | 88    | 18,393         | 340,000                               |
| HT10-36E1Z | 41.840                        | 30.000        | 481                     | 38.750         | 28    | 32.750        | 32    | 41.200                                      | 2.5   | 103   | 18,608         | 395,700                               |
| HT10-42E1Z | 47.840                        | 36.000        | 562                     | 44.750         | 32    | 38.750        | 36    | 47.200                                      | 2.5   | 118   | 18,772         | 457,000                               |
| HT10-48E1Z | 53.840                        | 42.000        | 660                     | 50.750         | 36    | 44.750        | 40    | 53.200                                      | 2.5   | 133   | 18,901         | 517,900                               |
| HT10-54E1Z | 59.840                        | 48.000        | 742                     | 56.750         | 40    | 50.750        | 44    | 59.200                                      | 2.5   | 148   | 19,005         | 578,400                               |
| HT10-60E1Z | 65.840                        | 54.000        | 800                     | 62.750         | 44    | 56.750        | 48    | 65.200                                      | 2.5   | 163   | 19,090         | 638,800                               |

# HT Series Load Chart



Section 4 – Bearing Tables & Ratings



Rating Charts are only applicable for operating conditions defined as NORMAL OPERATION in Section 2 and when installed and maintained as defined in Section 3 of this catalog. Bearing diameter increase does not necessarily ensure bearing rating increase due to variations in rolling elements, ring section, and fastener complements. For information concerning the basis for development of Rating Charts refer to the LOAD RATING paragraph in Section 2.



# MT Series

## Introduction

MT Series turntable bearings have a rectangular cross-section and range in size from 4 – 47 inches OD (100 – 1200 mm). They provide optimal economy and capacity for a given envelope dimension.

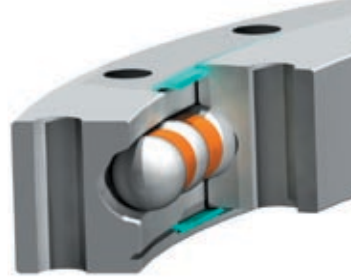
## Design Features

The internal configuration consists of deep groove gothic arch raceways and maximum ball complement. This results in a four-point contact design which provides exceptional moment, thrust, and radial load capacities. Integral face riding seals for the larger sizes and non-contact shields for the smaller assist in the exclusion of contaminants. These features make them an ideal choice for a wide range of applications from light to heavy duty.

MT Series bearings are offered in non-geared (MTO) and externally geared (MTE) configurations. The gears are Fellows Stub Involute up to the MTE-324 size and Stub Involute for larger sizes, all manufactured to AGMA Class Q6 quality. Contact Kaydon® for tooth backlash allowance.

Part numbers ending in a "T" suffix have threaded mounting holes. Thread depths are a minimum of 1.5 times the nominal hole size diameter indicated.

Part numbers ending in an "X" suffix provide additional load capacity.



## Availability

MT Series bearings are available from stock, and mating pinions for the geared versions through MTE-705 are also available. Refer to page 70 for mating pinions.

## Applications

MT Series bearings have been used successfully in a wide range of applications from light to heavy duty.

The smaller sizes are well suited for:

- Manipulators
- Jib cranes
- Lift-assist devices
- Work positioners

Larger sizes are well suited for:

- Truck-mounted cranes
- Aerial lifts
- Hoists
- Small wind turbines
- Non-precision positioning tables

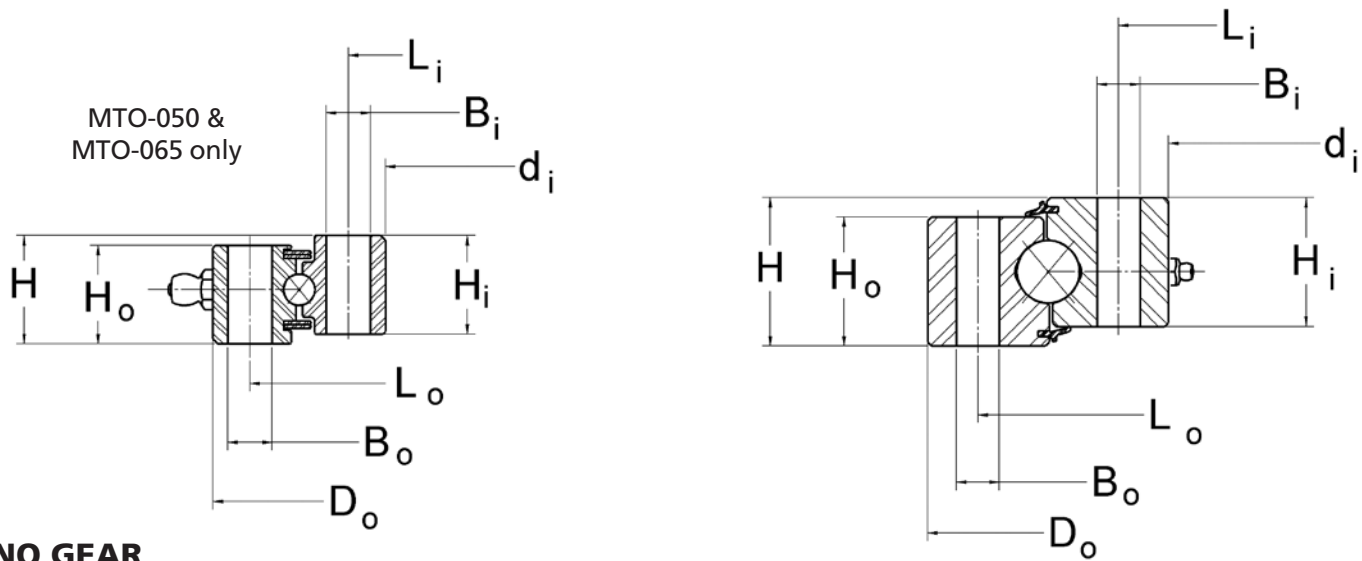
Versions of these standard bearings with features manufactured to higher precision requirements can be used in machine tool, material handling, power transmission, radar, and robotics applications. Contact Kaydon to speak with an applications engineer about the following options:

- Precision runout control
- Precision gear
- Preload for zero free play and increased stiffness
- Pilot diameters
- Tapped mounting holes
- ENDURAKOTE® plating for increased corrosion resistance

Kaydon also offers a high-precision KH Series in a standard line which incorporates all the above except ENDURAKOTE® plating.



# MT Series



## NO GEAR

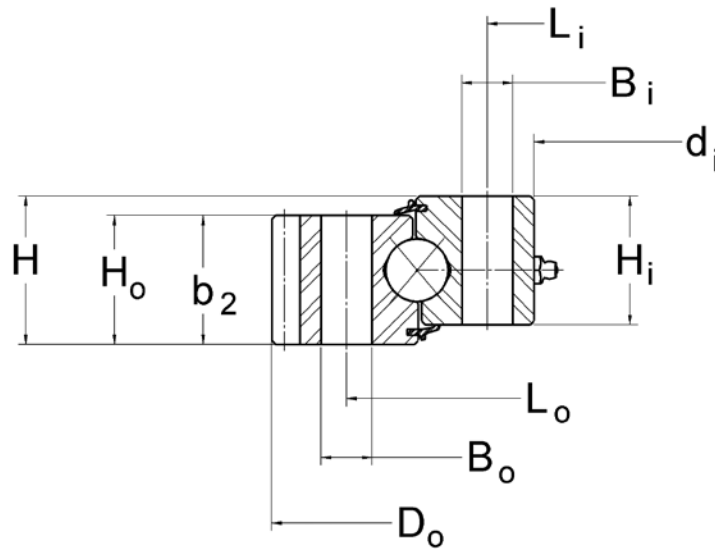
| KAYDON P/N | OUTLINE DIMENSIONS AND WEIGHT |                        |           |  |                       |
|------------|-------------------------------|------------------------|-----------|--|-----------------------|
|            | D <sub>o</sub><br>(in)        | d <sub>i</sub><br>(in) | H<br>(in) | H <sub>i</sub> /H <sub>o</sub><br>(in) | G<br>APPROX.<br>(lbs) |
| MTO-050    | 4.331                         | 1.968                  | 0.787     | 0.728                                  | 2                     |
| MTO-050T   | 4.331                         | 1.968                  | 0.787     | 0.728                                  | 2                     |
| MTO-065    | 5.315                         | 2.559                  | 0.866     | 0.787                                  | 4                     |
| MTO-065T   | 5.315                         | 2.559                  | 0.866     | 0.787                                  | 4                     |
| MTO-122    | 8.898                         | 4.803                  | 1.339     | 1.142                                  | 13                    |
| MTO-122T   | 8.898                         | 4.803                  | 1.339     | 1.142                                  | 13                    |
| MTO-143    | 9.803                         | 5.630                  | 1.339     | 1.142                                  | 15                    |
| MTO-143T   | 9.803                         | 5.630                  | 1.339     | 1.142                                  | 15                    |
| MTO-145    | 11.811                        | 5.709                  | 1.968     | 1.732                                  | 37                    |
| MTO-145T   | 11.811                        | 5.709                  | 1.968     | 1.732                                  | 37                    |
| MTO-145X   | 12.286                        | 5.709                  | 1.968     | 1.732                                  | 41                    |
| MTO-170    | 12.205                        | 6.693                  | 1.811     | 1.614                                  | 33                    |
| MTO-170T   | 12.205                        | 6.693                  | 1.811     | 1.614                                  | 33                    |
| MTO-210    | 14.370                        | 8.268                  | 1.575     | 1.496                                  | 38                    |
| MTO-210T   | 14.370                        | 8.268                  | 1.575     | 1.496                                  | 38                    |
| MTO-210X   | 14.686                        | 8.268                  | 1.968     | 1.732                                  | 48                    |
| MTO-265    | 16.535                        | 10.433                 | 1.968     | 1.732                                  | 54                    |
| MTO-265T   | 16.535                        | 10.433                 | 1.968     | 1.732                                  | 54                    |
| MTO-265X   | 17.086                        | 10.433                 | 1.968     | 1.732                                  | 61                    |
| *MTO-324T  | 20.486                        | 12.750                 | 2.062     | 2.022                                  | 105                   |
| MTO-324X   | 20.486                        | 12.770                 | 2.375     | 2.063                                  | 105                   |

\* Part number MTO-324 has been superseded by MTO-324T.

# MT Series

| MOUNTING HOLES |       |               |               |       |               | MOMENT RATING<br>$C_{rm}$<br>(ft-lbs) |
|----------------|-------|---------------|---------------|-------|---------------|---------------------------------------|
| OUTER RING     |       |               | INNER RING    |       |               |                                       |
| $L_o$<br>(in)  | $n_o$ | $B_o$<br>(in) | $L_i$<br>(in) | $n_i$ | $B_i$<br>(in) |                                       |
| 3.818          | 8     | 0.26          | 2.480         | 8     | 0.26          | 830                                   |
| 3.818          | 8     | M6            | 2.480         | 8     | M6            | 830                                   |
| 4.724          | 8     | 0.354         | 3.149         | 8     | 0.354         | 1,330                                 |
| 4.724          | 8     | M8            | 3.149         | 8     | M8            | 1,330                                 |
| 8.189          | 12    | 0.354         | 5.512         | 12    | 0.354         | 5,020                                 |
| 8.189          | 12    | M8            | 5.512         | 12    | M8            | 5,020                                 |
| 8.937          | 12    | 0.433         | 6.496         | 12    | 0.433         | 8,950                                 |
| 8.937          | 12    | M10           | 6.496         | 12    | M10           | 8,950                                 |
| 10.630         | 16    | 0.562         | 6.890         | 16    | 0.562         | 26,000                                |
| 10.630         | 16    | 5/8-11        | 6.890         | 16    | 5/8-11        | 26,000                                |
| 10.630         | 16    | 0.594         | 6.890         | 16    | 0.594         | 30,600                                |
| 11.024         | 12    | 0.512         | 7.874         | 12    | 0.512         | 16,520                                |
| 11.024         | 12    | M12           | 7.874         | 12    | M12           | 16,520                                |
| 13.190         | 16    | 0.562         | 9.449         | 20    | 0.562         | 44,500                                |
| 13.190         | 16    | 5/8-11        | 9.449         | 20    | 5/8-11        | 44,500                                |
| 13.190         | 16    | 0.594         | 9.449         | 20    | 0.594         | 52,100                                |
| 15.354         | 18    | 0.562         | 11.614        | 24    | 0.562         | 62,000                                |
| 15.354         | 18    | 5/8-11        | 11.614        | 24    | 5/8-11        | 62,000                                |
| 15.354         | 18    | 0.594         | 11.614        | 24    | 0.594         | 71,900                                |
| 18.875         | 20    | 5/8-11        | 14.375        | 20    | 5/8-11        | 102,400                               |
| 18.875         | 20    | 0.688         | 14.375        | 20    | 0.688         | 102,400                               |

# MT Series



## EXTERNAL GEAR

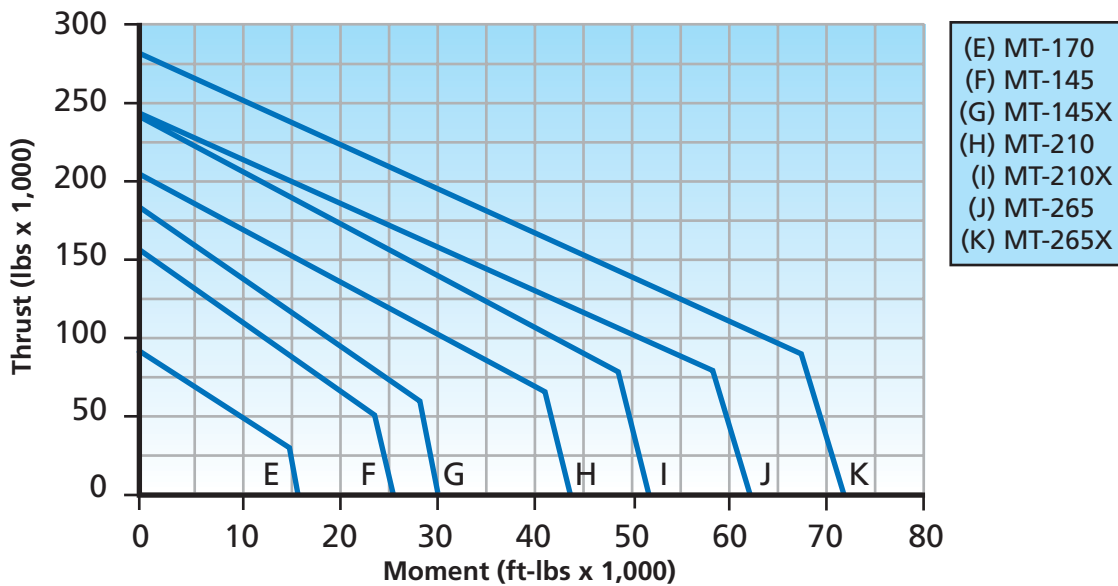
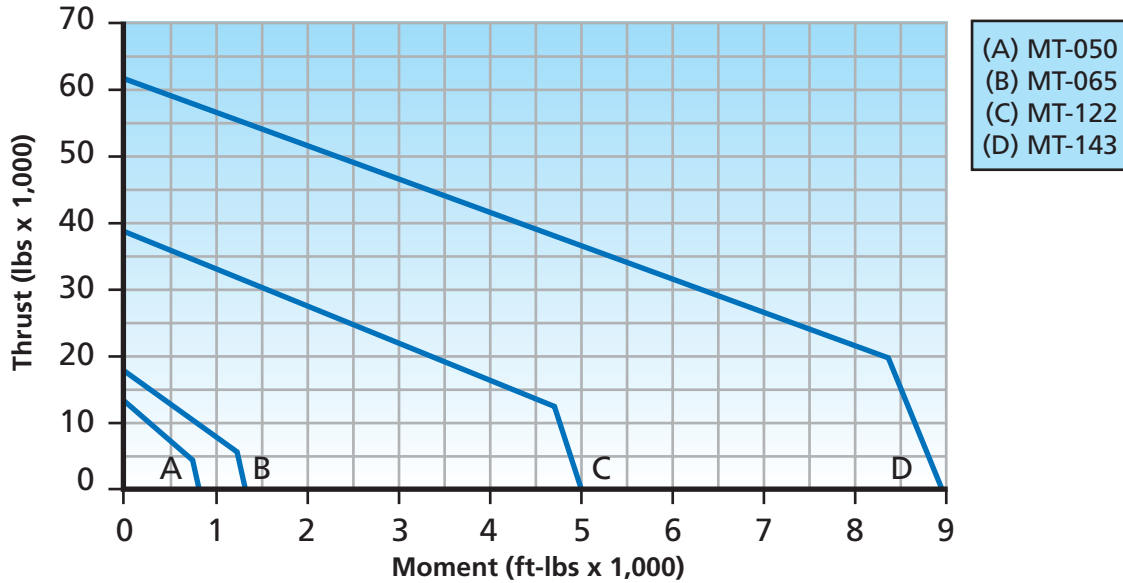
| KAYDON<br>P/N | OUTLINE DIMENSIONS AND WEIGHT |                        |           |  |                       | MOUNTING HOLES         |                |                        |                        |                |                        |
|---------------|-------------------------------|------------------------|-----------|--|-----------------------|------------------------|----------------|------------------------|------------------------|----------------|------------------------|
|               |                               |                        |           |  |                       | OUTER RING             |                |                        | INNER RING             |                |                        |
|               | D <sub>o</sub><br>(in)        | d <sub>i</sub><br>(in) | H<br>(in) | H <sub>i</sub> /H <sub>o</sub><br>(in) | G<br>APPROX.<br>(lbs) | L <sub>o</sub><br>(in) | n <sub>o</sub> | B <sub>o</sub><br>(in) | L <sub>i</sub><br>(in) | n <sub>i</sub> | B <sub>i</sub><br>(in) |
| MTE-145       | 12.286                        | 5.709                  | 1.968     | 1.732                                  | 38                    | 10.630                 | 16             | 0.562                  | 6.890                  | 16             | 0.562                  |
| MTE-145T      | 12.286                        | 5.709                  | 1.968     | 1.732                                  | 38                    | 10.630                 | 16             | 5/8-11                 | 6.890                  | 16             | 5/8-11                 |
| MTE-145X      | 12.286                        | 5.709                  | 1.968     | 1.732                                  | 38                    | 10.630                 | 16             | 0.594                  | 6.890                  | 16             | 0.594                  |
| MTE-210       | 14.686                        | 8.268                  | 1.575     | 1.496                                  | 38                    | 13.190                 | 16             | 0.562                  | 9.449                  | 20             | 0.562                  |
| MTE-210T      | 14.686                        | 8.268                  | 1.575     | 1.496                                  | 38                    | 13.190                 | 16             | 5/8-11                 | 9.449                  | 20             | 5/8-11                 |
| MTE-210X      | 14.686                        | 8.268                  | 1.968     | 1.732                                  | 44                    | 13.190                 | 16             | 0.594                  | 9.449                  | 20             | 0.594                  |
| MTE-265       | 17.086                        | 10.433                 | 1.968     | 1.732                                  | 57                    | 15.354                 | 18             | 0.562                  | 11.614                 | 24             | 0.562                  |
| MTE-265T      | 17.086                        | 10.433                 | 1.968     | 1.732                                  | 57                    | 15.354                 | 18             | 5/8-11                 | 11.614                 | 24             | 5/8-11                 |
| MTE-265X      | 17.086                        | 10.433                 | 1.968     | 1.732                                  | 57                    | 15.354                 | 18             | 0.594                  | 11.614                 | 24             | 0.594                  |
| *MTE-324T     | 20.486                        | 12.750                 | 2.062     | 2.022                                  | 98                    | 18.875                 | 20             | 5/8-11                 | 14.375                 | 20             | 5/8-11                 |
| MTE-324X      | 20.486                        | 12.770                 | 2.375     | 2.063                                  | 99                    | 18.875                 | 20             | 0.688                  | 14.375                 | 20             | 0.688                  |
| MTE-415       | 24.650                        | 16.250                 | 2.375     | 2.063                                  | 132                   | 22.250                 | 16             | 0.813                  | 17.750                 | 20             | 0.813                  |
| MTE-415T      | 24.650                        | 16.250                 | 2.375     | 2.063                                  | 132                   | 22.250                 | 16             | 3/4-10                 | 17.750                 | 20             | 3/4-10                 |
| MTE-470       | 26.900                        | 18.500                 | 2.375     | 2.063                                  | 147                   | 24.500                 | 18             | 0.813                  | 20.000                 | 24             | 0.813                  |
| MTE-470T      | 26.900                        | 18.500                 | 2.375     | 2.063                                  | 147                   | 24.500                 | 18             | 3/4-10                 | 20.000                 | 24             | 3/4-10                 |
| MTE-540       | 29.650                        | 21.250                 | 2.375     | 2.063                                  | 163                   | 27.250                 | 24             | 0.813                  | 22.750                 | 28             | 0.813                  |
| MTE-540T      | 29.650                        | 21.250                 | 2.375     | 2.063                                  | 163                   | 27.250                 | 24             | 3/4-10                 | 22.750                 | 28             | 3/4-10                 |
| MTE-590       | 33.534                        | 23.125                 | 2.875     | 2.563                                  | 283                   | 30.625                 | 18             | 0.938                  | 24.875                 | 24             | 0.938                  |
| MTE-590T      | 33.534                        | 23.125                 | 2.875     | 2.563                                  | 283                   | 30.625                 | 18             | 7/8-9                  | 24.875                 | 24             | 7/8-9                  |
| MTE-705       | 38.201                        | 27.750                 | 2.875     | 2.563                                  | 147                   | 35.250                 | 24             | 0.938                  | 29.500                 | 28             | 0.938                  |
| MTE-705T      | 38.201                        | 27.750                 | 2.875     | 2.563                                  | 147                   | 35.250                 | 24             | 7/8-9                  | 29.500                 | 28             | 7/8-9                  |
| MTE-730       | 41.850                        | 28.750                 | 3.250     | 2.880                                  | 163                   | 38.000                 | 20             | 1.063                  | 31.000                 | 24             | 1.063                  |
| MTE-730T      | 41.850                        | 28.750                 | 3.250     | 2.880                                  | 163                   | 38.000                 | 20             | 1-8                    | 31.000                 | 24             | 1-8                    |
| MTE-870       | 47.444                        | 34.250                 | 4.250     | 3.875                                  | 283                   | 43.875                 | 24             | 1.188                  | 36.250                 | 28             | 1.188                  |
| MTE-870T      | 47.444                        | 34.250                 | 4.250     | 3.875                                  | 283                   | 43.875                 | 24             | 1 1/8-7                | 36.250                 | 28             | 1 1/8-7                |

\* Part number MTE-324 has been superseded by MTE-324T.

# MT Series

| GEAR DATA<br>$\alpha = 20^\circ$ |               |       |       |               | $F_z$<br>(lbs)<br>MAX GEAR<br>TOOTH LOAD | MOMENT<br>RATING<br>$C_{rm}$<br>(ft-lbs) |
|----------------------------------|---------------|-------|-------|---------------|--|--|
| TOOTH FORM                       | $D_2$<br>(in) | $P_d$ | $z_2$ | $b_2$<br>(in) |  |  |
| FS                               | 12.000        | 5/7   | 60    | 1.732         | 7,140                                    | 26,000                                   |
| FS                               | 12.000        | 5/7   | 60    | 1.732         | 7,140                                    | 26,000                                   |
| FS                               | 12.000        | 5/7   | 60    | 1.732         | 7,140                                    | 30,600                                   |
| FS                               | 14.400        | 5/7   | 72    | 1.496         | 5,810                                    | 44,500                                   |
| FS                               | 14.400        | 5/7   | 72    | 1.496         | 5,810                                    | 44,500                                   |
| FS                               | 14.400        | 5/7   | 72    | 1.732         | 7,290                                    | 52,100                                   |
| FS                               | 16.800        | 5/7   | 84    | 1.732         | 7,330                                    | 62,000                                   |
| FS                               | 16.800        | 5/7   | 84    | 1.732         | 7,330                                    | 62,000                                   |
| FS                               | 16.800        | 5/7   | 84    | 1.732         | 7,330                                    | 71,900                                   |
| FS                               | 20.200        | 5/7   | 101   | 2.022         | 8,700                                    | 102,400                                  |
| FS                               | 20.200        | 5/7   | 101   | 2.063         | 8,863                                    | 102,400                                  |
| SD                               | 24.250        | 4     | 97    | 2.063         | 10,420                                   | 159,200                                  |
| SD                               | 24.500        | 4     | 97    | 2.063         | 10,420                                   | 159,200                                  |
| SD                               | 26.500        | 4     | 106   | 2.063         | 10,460                                   | 191,600                                  |
| SD                               | 26.500        | 4     | 106   | 2.063         | 10,460                                   | 191,600                                  |
| SD                               | 29.250        | 4     | 117   | 2.063         | 10,520                                   | 232,000                                  |
| SD                               | 29.250        | 4     | 117   | 2.063         | 10,520                                   | 232,000                                  |
| SD                               | 33.000        | 3     | 99    | 2.563         | 17,290                                   | 338,700                                  |
| SD                               | 33.000        | 3     | 99    | 2.563         | 17,290                                   | 338,700                                  |
| SD                               | 37.667        | 3     | 113   | 2.563         | 17,390                                   | 443,200                                  |
| SD                               | 37.667        | 3     | 113   | 2.563         | 17,390                                   | 443,200                                  |
| SD                               | 41.200        | 2.5   | 103   | 2.630         | 21,290                                   | 588,000                                  |
| SD                               | 41.200        | 2.5   | 103   | 2.630         | 21,290                                   | 588,000                                  |
| SD                               | 46.800        | 2.5   | 117   | 3.875         | 31,620                                   | 873,800                                  |
| SD                               | 46.800        | 2.5   | 117   | 3.875         | 31,620                                   | 873,800                                  |

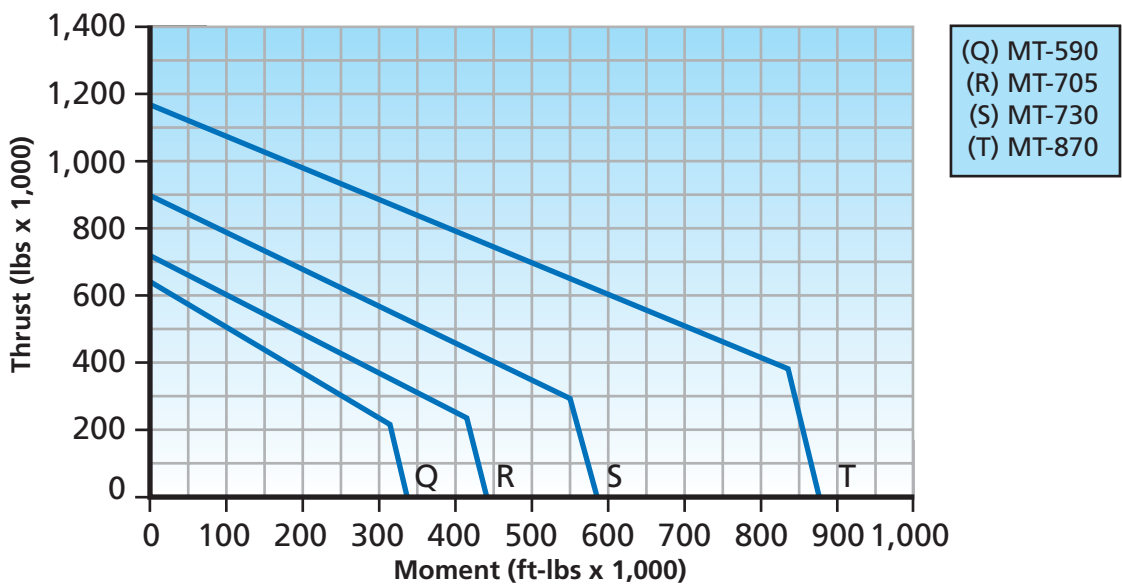
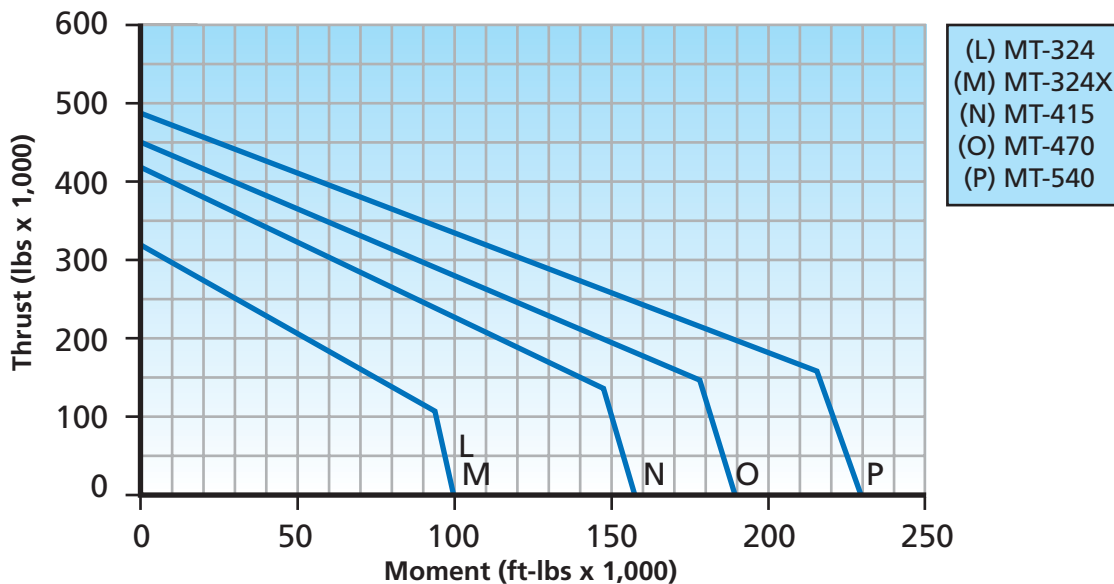
# MT Series Load Charts



Rating Charts are only applicable for operating conditions defined as NORMAL OPERATION in Section 2 and when installed and maintained as defined in Section 3 of this catalog. Bearing diameter increase does not necessarily ensure bearing rating increase due to variations in rolling elements, ring section, and fastener complements. For information concerning the basis for development of Rating Charts refer to the LOAD RATING paragraph in Section 2.

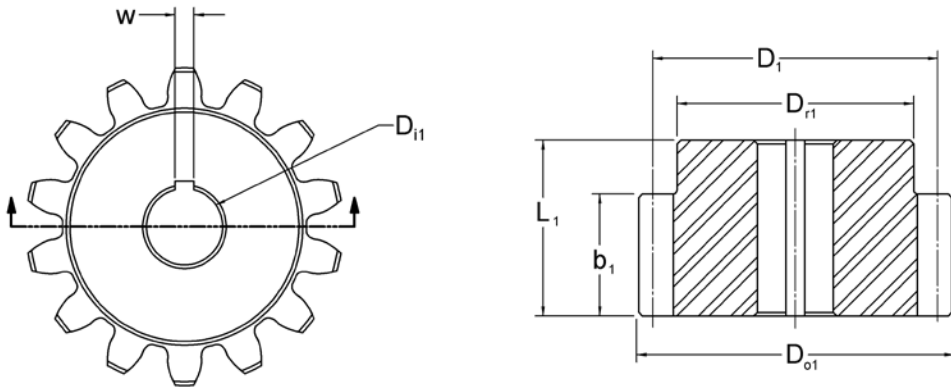


# MT Series Load Charts



Rating Charts are only applicable for operating conditions defined as NORMAL OPERATION in Section 2 and when installed and maintained as defined in Section 3 of this catalog. Bearing diameter increase does not necessarily ensure bearing rating increase due to variations in rolling elements, ring section, and fastener complements. For information concerning the basis for development of Rating Charts refer to the LOAD RATING paragraph in Section 2.

# Pinion Tables for RK, HS and MT Series



## Mating Pinions for RK Series Bearings

| BEARING P/N           | PINION P/N           | GEAR DATA ( $\alpha = 20^\circ$ ) |          |            |                | OUTLINE DIMENSIONS AND WEIGHT |                |                  |                |                  |          |                 |
|-----------------------|----------------------|-----------------------------------|----------|------------|----------------|-------------------------------|----------------|------------------|----------------|------------------|----------|-----------------|
|                       |                      | TOOTH FORM                        | $z_1$    | $P_d$ (in) | $b_1$ (in)     | $L_1$ (in)                    | $D_1$ (in)     | $D_{o1}$ (in)    | $D_{r1}$ (in)  | $D_{i1}$ (in)    | $w$ (in) | G APPROX. (lbs) |
| RK6-16 thru<br>RK6-29 | 39200001<br>39200002 | SD                                | 14<br>17 | 4<br>4     | 2.000<br>2.000 | 2.880<br>2.880                | 3.500<br>4.250 | 3.900<br>4.650   | 2.880<br>3.630 | 1.000<br>1.000   | 1/4      | 6.4<br>10.0     |
| RK6-33 thru<br>RK6-43 | 39200003<br>39200004 | SD                                | 14<br>17 | 3<br>3     | 2.000<br>2.000 | 2.880<br>2.880                | 4.667<br>5.667 | 5.200<br>6.200   | 3.880<br>4.880 | 1.250<br>1.250   | 5/16     | 11.4<br>18.3    |
| Tolerances            |                      |                                   |          | Ref.       | $\pm 0.015$    | $\pm 0.015$                   | Ref.           | +0.000<br>-0.010 | Ref.           | +0.002<br>-0.000 |          |                 |

## Mating Pinions for HS Series Bearings

| BEARING P/N           | PINION P/N           | GEAR DATA ( $\alpha = 20^\circ$ ) |          |            |                | OUTLINE DIMENSIONS AND WEIGHT |                |                  |                |                  |          |                 |
|-----------------------|----------------------|-----------------------------------|----------|------------|----------------|-------------------------------|----------------|------------------|----------------|------------------|----------|-----------------|
|                       |                      | TOOTH FORM                        | $z_1$    | $P_d$ (in) | $b_1$ (in)     | $L_1$ (in)                    | $D_1$ (in)     | $D_{o1}$ (in)    | $D_{r1}$ (in)  | $D_{i1}$ (in)    | $w$ (in) | G APPROX. (lbs) |
| HS6-16 thru<br>HS6-29 | 39200001<br>39200002 | SD                                | 14<br>17 | 4<br>4     | 2.000<br>2.000 | 2.880<br>2.880                | 3.500<br>4.250 | 3.900<br>4.650   | 2.880<br>3.630 | 1.000<br>1.000   | 1/4      | 6.4<br>10.0     |
| HS6-33 thru<br>HS6-43 | 39200003<br>39200004 | SD                                | 14<br>17 | 3<br>3     | 2.000<br>2.000 | 2.880<br>2.880                | 4.667<br>5.667 | 5.200<br>6.200   | 3.880<br>4.880 | 1.250<br>1.250   | 5/16     | 11.4<br>18.3    |
| Tolerances            |                      |                                   |          | Ref.       | $\pm 0.015$    | $\pm 0.015$                   | Ref.           | +0.000<br>-0.010 | Ref.           | +0.002<br>-0.000 |          |                 |

## Mating Pinions for MT Series Bearings

| BEARING P/N             | PINION P/N           | GEAR DATA ( $\alpha = 20^\circ$ ) |          |            |                | OUTLINE DIMENSIONS AND WEIGHT |                |                |                |                |          |                 |
|-------------------------|----------------------|-----------------------------------|----------|------------|----------------|-------------------------------|----------------|----------------|----------------|----------------|----------|-----------------|
|                         |                      | TOOTH FORM                        | $z_1$    | $P_d$ (in) | $b_1$ (in)     | $L_1$ (in)                    | $D_1$ (in)     | $D_{o1}$ (in)  | $D_{r1}$ (in)  | $D_{i1}$ (in)  | $w$ (in) | G APPROX. (lbs) |
| MTE-145 thru<br>MTE-324 | 39201001             | FS                                | 17       | 5/7        | 2.250          | 2.880                         | 3.400          | 3.686          | 2.806          | 1.000          | 1/4      | 6.6             |
| MTE-415 thru<br>MTE-540 | 39200001<br>39200002 | SD                                | 14<br>17 | 4<br>4     | 2.000<br>2.000 | 2.880<br>2.880                | 3.500<br>4.250 | 3.900<br>4.650 | 2.880<br>3.630 | 1.000<br>1.000 | 1/4      | 6.4<br>10.0     |
| MTE-590 thru<br>MTE-705 | 39200003<br>39200004 | SD                                | 14<br>17 | 3<br>3     | 2.000<br>2.000 | 2.880<br>2.880                | 4.667<br>5.667 | 5.200<br>6.200 | 3.880<br>4.880 | 1.250<br>1.250 | 5/16     | 11.4<br>18.3    |
| Tolerances              |                      |                                   |          | Ref.       | $\pm 0.015$    | $\pm 0.015$                   | Ref.           | -0.01          | Ref.           | 0.002          |          |                 |

# KH Series

## Introduction

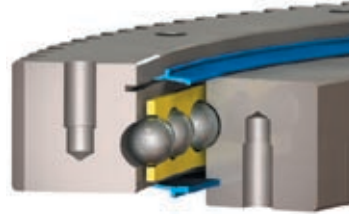
KH Series turntable bearings have a rectangular cross-section and range in size from 16 – 37 inches OD (400 – 950 mm). They provide precise positioning and repeatability in applications where rotation is constant, intermittent, or oscillating.

## Design Features

The internal configuration is a deep-groove gothic arch raceway, which provides four points of contact with the balls, enabling it to carry radial, thrust, and moment loads individually or simultaneously. The use of internal diametral preload provides for greater stiffness, which combined with tightly controlled radial and axial runouts, delivers accurate repeatability. The axial runouts are .001 TIR and the radial runouts for locating diameters are .002 TIR.

A separator is used to maintain consistent ball spacing interval, keep friction to a minimum, and minimize noise. Integral face riding seals are provided to assist in the exclusion of contaminants.

KH Series bearings are offered in non-gear and externally geared configurations. The gears have Full Depth Involute teeth and are manufactured to an AGMA Class Q8 quality, allowing for decreased backlash, more accurate positioning, and less noise while operating.



## Availability

KH Series bearings are available from stock.

## Applications

KH Series bearings have been used successfully in applications demanding higher precision, including:

- Precision rotary index tables
- Radar antennas
- Satellite antennas
- Robots
- Medical equipment
- Machine tool tables
- Any design where the KH bearing features will interface with other precision components.

# KH Series

## NO GEAR

| KAYDON<br>P/N     | OUTLINE DIMENSIONS AND WEIGHT |                        |                        |                        |                       | HOLE DATA              |                |                        |                | GEAR DATA              |                        |                | GEAR<br>TOOTH<br>RATING<br>F <sub>z</sub><br>(lbs) |
|-------------------|-------------------------------|------------------------|------------------------|------------------------|-----------------------|------------------------|----------------|------------------------|----------------|------------------------|------------------------|----------------|--|
|                   |                               |                        |                        |                        |                       | OUTER RING             |                | INNER RING             |                |                        |                        |                |  |
|                   | D <sub>o</sub><br>(in)        | d <sub>i</sub><br>(in) | D <sub>i</sub><br>(in) | d <sub>o</sub><br>(in) | G<br>APPROX.<br>(lbs) | L <sub>o</sub><br>(in) | n <sub>o</sub> | L <sub>i</sub><br>(in) | n <sub>i</sub> | D <sub>2</sub><br>(in) | b <sub>2</sub><br>(in) | Z <sub>2</sub> |  |
| KH-125P           | 16.500                        | 8.625                  | 12.750                 | 12.250                 | 80                    | 14.750                 | 16             | 10.250                 | 16             | —                      | —                      | —              | —  |
| KH-166P           | 20.500                        | 12.750                 | 16.875                 | 16.375                 | 105                   | 18.875                 | 20             | 14.375                 | 20             | —                      | —                      | —              | —  |
| KH-225P           | 26.700                        | 18.500                 | 22.750                 | 22.250                 | 150                   | 24.500                 | 18             | 20.500                 | 18             | —                      | —                      | —              | —  |
| KH-275P           | 31.700                        | 23.500                 | 27.750                 | 27.250                 | 185                   | 29.500                 | 24             | 25.500                 | 24             | —                      | —                      | —              | —  |
| KH-325P           | 36.700                        | 28.500                 | 32.750                 | 32.250                 | 220                   | 34.500                 | 28             | 30.500                 | 28             | —                      | —                      | —              | —  |
| <b>TOLERANCES</b> | ±.050                         | ±.050                  | +0.002/-0              | +0/-0.002              |                       | ⊕ .030                 |                | ⊕ .030                 |                |                        |                        |                |  |

## EXTERNAL GEAR

| KAYDON<br>P/N     | OUTLINE DIMENSIONS AND WEIGHT |                        |                        |                        |                       | HOLE DATA              |                |                        |                | GEAR DATA<br>- FD INVOLUTE<br>P <sub>d</sub> = 6, α = 20°, AGMA Q8 |                        |                | GEAR<br>TOOTH<br>RATING<br>F <sub>z</sub><br>(lbs) |
|-------------------|-------------------------------|------------------------|------------------------|------------------------|-----------------------|------------------------|----------------|------------------------|----------------|--|------------------------|----------------|--|
|                   |                               |                        |                        |                        |                       | OUTER RING             |                | INNER RING             |                |  |                        |                |  |
|                   | D <sub>o</sub><br>(in)        | d <sub>i</sub><br>(in) | D <sub>i</sub><br>(in) | d <sub>o</sub><br>(in) | G<br>APPROX.<br>(lbs) | L <sub>o</sub><br>(in) | n <sub>o</sub> | L <sub>i</sub><br>(in) | n <sub>i</sub> | D <sub>2</sub><br>(in)   | b <sub>2</sub><br>(in) | Z <sub>2</sub> |  |
| KH-125E           | 16.500                        | 8.625                  | 12.750                 | 12.250                 | 75                    | 14.750                 | 16             | 10.250                 | 16             | 16.167   | 2.000                  | 97             | 5,480  |
| KH-166E           | 20.500                        | 12.750                 | 16.875                 | 16.375                 | 100                   | 18.875                 | 20             | 14.375                 | 20             | 20.167   | 2.000                  | 121            | 5,570  |
| KH-225E           | 26.667                        | 18.500                 | 22.750                 | 22.250                 | 140                   | 24.500                 | 18             | 20.500                 | 18             | 26.333   | 2.000                  | 158            | 5,670  |
| KH-275E           | 31.667                        | 23.500                 | 27.750                 | 27.250                 | 175                   | 29.500                 | 24             | 25.500                 | 24             | 31.333   | 2.000                  | 188            | 5,700  |
| KH-325E           | 36.667                        | 28.500                 | 32.750                 | 32.250                 | 205                   | 34.500                 | 28             | 30.500                 | 28             | 36.333   | 2.000                  | 218            | 5,730  |
| <b>TOLERANCES</b> | +0/-0.020                     | ±.050                  | +0.002/-0              | +0/-0.002              |                       | ⊕ .030                 |                | ⊕ .030                 |                |  | ±.030                  |                |  |

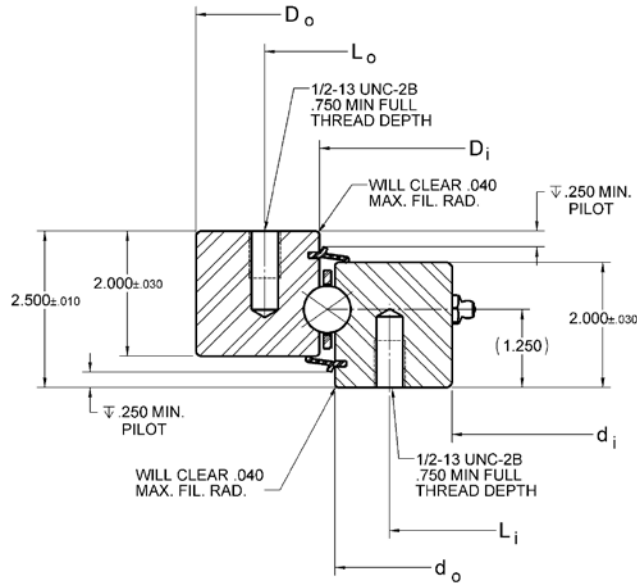
## DYNAMIC and INTERMITTENT CAPACITIES

| Size   | Dynamic        |                    | Intermittent   |                    |
|--------|----------------|--------------------|----------------|--------------------|
|        | Axial<br>(lbs) | Moment<br>(ft-lbs) | Axial<br>(lbs) | Moment<br>(ft-lbs) |
| KH-125 | 32,000         | 13,100             | 60,000         | 25,800             |
| KH-166 | 36,000         | 20,500             | 82,800         | 45,200             |
| KH-225 | 40,000         | 30,500             | 115,200        | 56,000             |
| KH-275 | 43,000         | 39,600             | 142,000        | 75,000             |
| KH-325 | 45,000         | 48,100             | 167,000        | 92,000             |

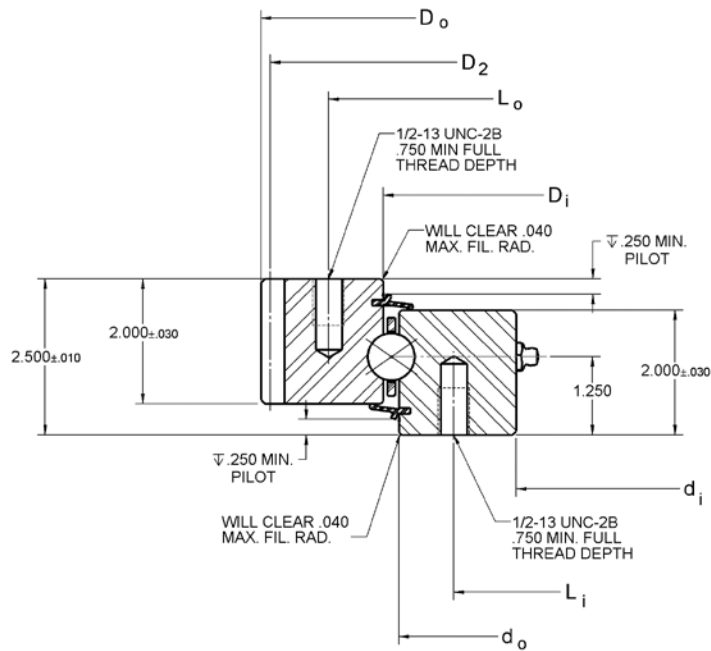
**Note:** Dynamic-L10 capabilities based on million revolutions. Values do not apply simultaneously.

Intermittent-Individual capacity limits for maximum loading when normal mode of operation is an intermittent load application and rotation.

# KH Series



**Non-geared**



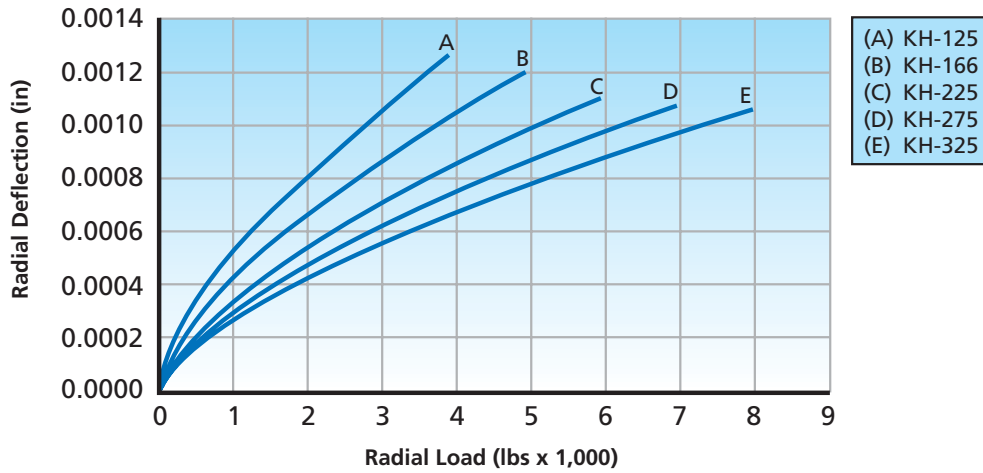
**External geared**



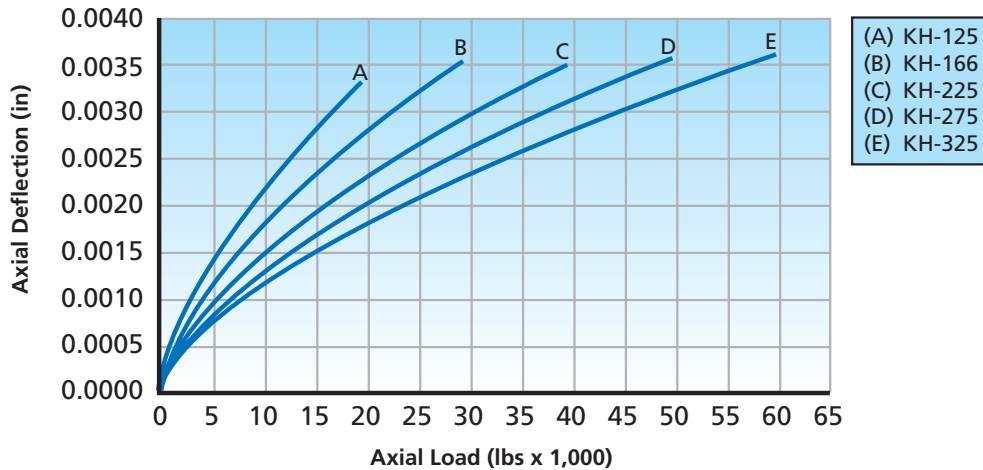
# KH Series Deflection Chart

Section 4 – Bearing Tables & Ratings

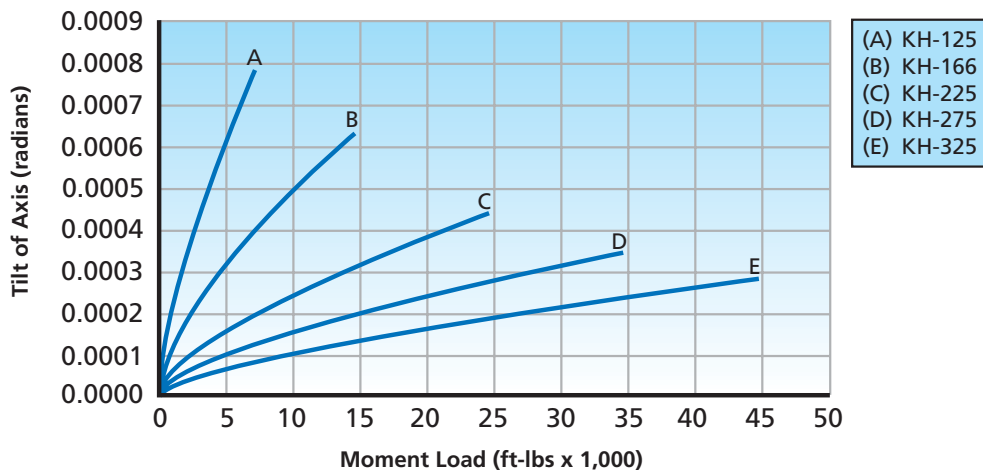
## KH Series Radial Deflection



## KH Series Axial Deflection



## KH Series Tilt of Axis



# XT Series

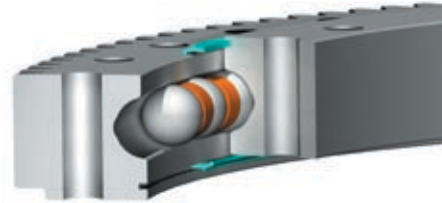
## Introduction

XT Series turntable bearings are custom designs having a rectangular cross-section, and are available in sizes up to 218 inches OD (5500 mm). They are well suited for a wide range of applications where our standard product series do not meet your size, capacity, or weight requirements.

## Design Features

The internal configuration consists of deep groove gothic arch raceways and maximum ball complement. This results in a four-point contact design which provides exceptional moment, thrust, and radial load capacities. Integral seals are provided to assist in the exclusion of contaminants.

XT Series bearings are available in internal geared, external geared, and non-geared configurations.



## Availability

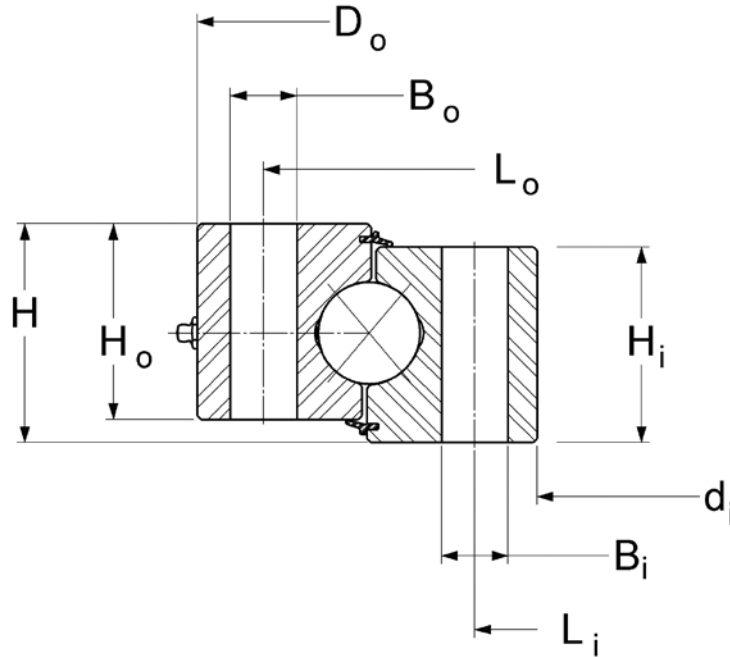
XT Series bearings are made to order, and can be customized for the specific application.

## Applications

XT Series bearings have been used successfully in a wide range of applications, including:

- Cranes
- Aerial lifts
- Excavators
- Wind turbines
- Utility derricks
- Log loaders and fellers
- Feller heads

# XT Series



## NO GEAR

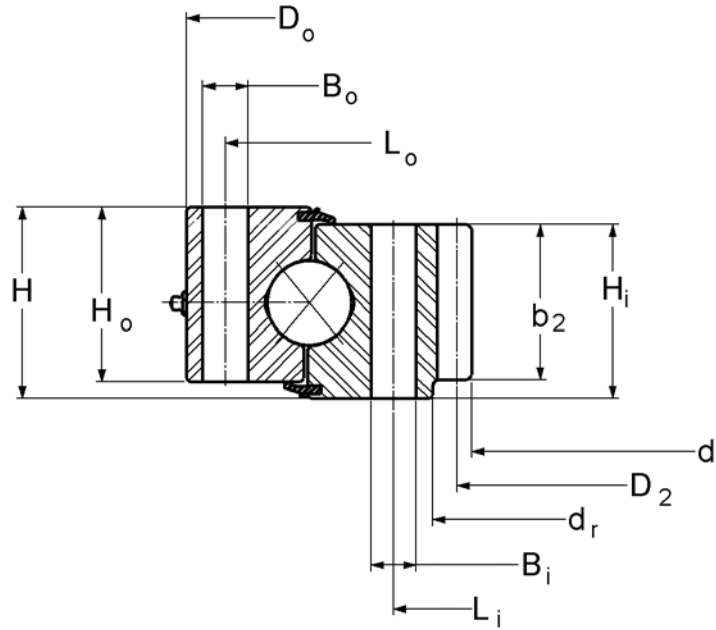
| KAYDON<br>P/N | OUTLINE DIMENSIONS AND WEIGHT |                        |           |                        |                        |                          |                          |                       |
|---------------|-------------------------------|------------------------|-----------|------------------------|------------------------|--------------------------|--------------------------|-----------------------|
|               | D <sub>o</sub><br>(in)        | d <sub>i</sub><br>(in) | H<br>(in) | H <sub>o</sub><br>(in) | H <sub>i</sub><br>(in) | D <sub>r</sub> *<br>(in) | d <sub>r</sub> *<br>(in) | G<br>APPROX.<br>(lbs) |
| 12740001      | 24.650                        | 16.250                 | 2.375     | 2.063                  | 2.063                  | —                        | —                        | 145                   |
| 12750001      | 26.900                        | 18.500                 | 2.375     | 2.063                  | 2.063                  | —                        | —                        | 155                   |
| 12770001      | 29.650                        | 21.250                 | 2.375     | 2.063                  | 2.063                  | —                        | —                        | 180                   |
| 12775001      | 33.534                        | 23.125                 | 2.875     | 2.563                  | 2.563                  | —                        | —                        | 305                   |
| 12780001      | 38.201                        | 27.750                 | 2.875     | 2.563                  | 2.563                  | —                        | —                        | 350                   |
| 12785001      | 41.850                        | 28.750                 | 3.250     | 2.880                  | 2.880                  | —                        | —                        | 530                   |
| 12790001      | 47.444                        | 34.250                 | 4.250     | 3.875                  | 3.875                  | —                        | —                        | 835                   |
| 16289001      | 61.250                        | 52.325                 | 3.540     | 2.800                  | 2.800                  | —                        | —                        | 585                   |
| 16389001      | 87.992                        | 69.094                 | 6.024     | 5.512                  | 5.512                  | —                        | —                        | 3,330                 |
| 16290001      | 129.000                       | 113.000                | 5.500     | 5.000                  | 5.000                  | —                        | —                        | 3,950                 |
| 16291001      | 178.000                       | 162.000                | 5.500     | 5.000                  | 5.000                  | —                        | —                        | 5,350                 |

\*No internal or external diameters for this type.

# XT Series

| HOLE DATA     |       |               |               |       |               | GEAR DATA           |               |                 |       |       |               | GEAR TOOTH RATING<br>$F_z$<br>(lbs) | BEARING MOMENT RATING<br>$C_{rm}$<br>(ft-lbs) |
|---------------|-------|---------------|---------------|-------|---------------|---------------------|---------------|-----------------|-------|-------|---------------|-------------------------------------|---|
| OUTER RING    |       |               | INNER RING    |       |               | $\alpha = 20^\circ$ |               |                 |       |       |               |                                     |   |
| $L_o$<br>(in) | $n_o$ | $B_o$<br>(in) | $L_i$<br>(in) | $n_i$ | $B_i$<br>(in) | TOOTH FORM          | $D_2$<br>(in) | $P_d$<br>or (m) | $z_2$ | $x_2$ | $b_2$<br>(in) |                                     |   |
| 22.250        | 16    | 0.813         | 17.750        | 20    | 0.813         | —                   | —             | —               | —     | —     | —             | —                                   | 159,000                                       |
| 24.500        | 18    | 0.813         | 20.000        | 24    | 0.813         | —                   | —             | —               | —     | —     | —             | —                                   | 188,000                                       |
| 27.250        | 24    | 0.813         | 22.750        | 28    | 0.813         | —                   | —             | —               | —     | —     | —             | —                                   | 232,000                                       |
| 30.625        | 18    | 0.938         | 24.875        | 24    | 0.938         | —                   | —             | —               | —     | —     | —             | —                                   | 338,000                                       |
| 35.250        | 24    | 0.938         | 29.500        | 28    | 0.938         | —                   | —             | —               | —     | —     | —             | —                                   | 443,000                                       |
| 38.000        | 20    | 1.063         | 31.000        | 24    | 1.063         | —                   | —             | —               | —     | —     | —             | —                                   | 587,000                                       |
| 43.875        | 24    | 1.188         | 36.250        | 28    | 1.188         | —                   | —             | —               | —     | —     | —             | —                                   | 873,000                                       |
| 59.625        | 30    | 0.844         | 54.000        | 30    | 0.844         | —                   | —             | —               | —     | —     | —             | —                                   | 348,000                                       |
| 83.543        | 52    | 1.535         | 73.543        | 52    | 1.535         | —                   | —             | —               | —     | —     | —             | —                                   | 3,675,000                                     |
| 125.500       | 72    | 1.063         | 116.500       | 72    | 1.063         | —                   | —             | —               | —     | —     | —             | —                                   | 1,337,000                                     |
| 174.500       | 96    | 1.063         | 165.500       | 96    | 1.063         | —                   | —             | —               | —     | —     | —             | —                                   | 2,258,000                                     |

# XT Series



## INTERNAL GEAR

| KAYDON<br>P/N | OUTLINE DIMENSIONS AND WEIGHT |               |           |               |               |                 |               |                       |
|---------------|-------------------------------|---------------|-----------|---------------|---------------|-----------------|---------------|-----------------------|
|               | $D_o$<br>(in)                 | $d_i$<br>(in) | H<br>(in) | $H_o$<br>(in) | $H_i$<br>(in) | $D_r^*$<br>(in) | $d_r$<br>(in) | G<br>APPROX.<br>(lbs) |
| 16292001      | 16.625                        | 9.714         | 1.968     | 1.732         | 1.732         | —               | —             | 65                    |
| 16293001      | 20.486                        | 12.750        | 2.060     | 2.000         | 2.000         | —               | —             | 105                   |
| 16294001      | 25.750                        | 16.850        | 2.750     | 2.375         | 2.375         | —               | —             | 180                   |
| 16295001      | 28.937                        | 19.600        | 2.834     | 2.480         | 2.480         | —               | —             | 225                   |
| 16296001      | 34.252                        | 24.921        | 2.834     | 2.480         | 2.480         | —               | —             | 270                   |
| 16390001      | 40.880                        | 30.560        | 3.380     | 2.560         | 3.000         | —               | 32.375        | 375                   |
| 16374001      | 48.250                        | 36.400        | 4.000     | 3.500         | 3.500         | —               | 38.250        | 660                   |
| 16297001      | 54.375                        | 41.280        | 5.000     | 3.875         | 4.625         | —               | 43.000        | 1,090                 |
| 16298001      | 62.250                        | 47.760        | 4.875     | 4.375         | 4.375         | —               | 49.325        | 1,370                 |
| 16299001      | 72.500                        | 57.000        | 6.000     | 5.000         | 5.000         | —               | 59.380        | 1,900                 |
| 16300001      | 81.750                        | 62.267        | 6.500     | 5.625         | 6.125         | —               | 64.750        | 3,080                 |
| 16301001      | 102.500                       | 85.360        | 7.440     | 6.780         | 5.660         | —               | 88.380        | 3,750                 |
| 16302001      | 117.000                       | 93.600        | 7.125     | 6.500         | 6.500         | —               | 96.375        | 6,200                 |
| 16303001      | 148.425                       | 135.039       | 4.724     | 4.134         | 4.134         | —               | 136.890       | 3,000                 |
| 16304001      | 168.000                       | 151.700       | 6.000     | 5.500         | 5.500         | —               | 153.940       | 5,500                 |

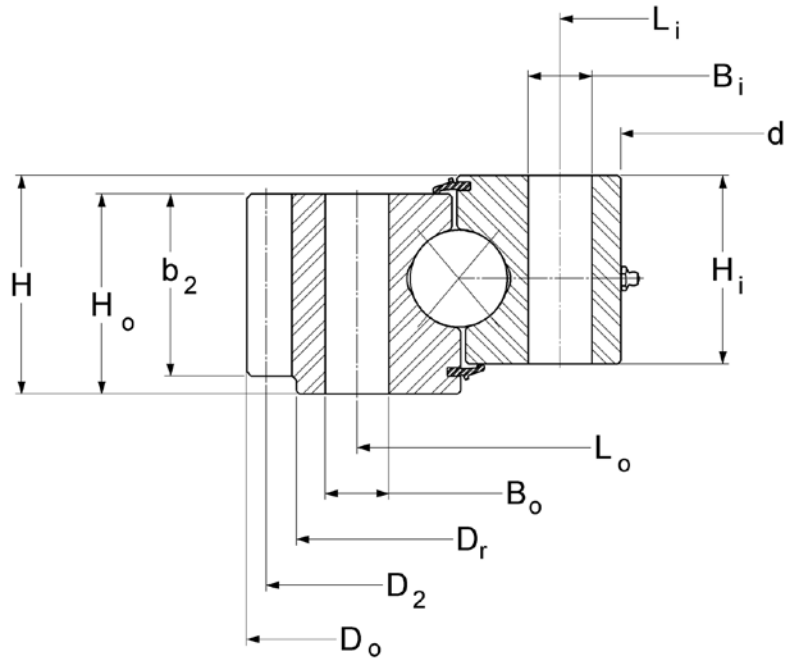
\*No external diameters for this type.



# XT Series

| HOLE DATA     |       |               |               |       |               | GEAR DATA           |               |                 |       |       |               | GEAR TOOTH RATING<br>$F_z$<br>(lbs) | BEARING MOMENT RATING<br>$C_{rm}$<br>(ft-lbs) |
|---------------|-------|---------------|---------------|-------|---------------|---------------------|---------------|-----------------|-------|-------|---------------|-------------------------------------|---|
| OUTER RING    |       |               | INNER RING    |       |               | $\alpha = 20^\circ$ |               |                 |       |       |               |                                     |   |
| $L_o$<br>(in) | $n_o$ | $B_o$<br>(in) | $L_i$<br>(in) | $n_i$ | $B_i$<br>(in) | TOOTH FORM          | $D_2$<br>(in) | $P_d$<br>or (m) | $z_2$ | $x_2$ | $b_2$<br>(in) |                                     |   |
| 15.354        | 18    | 0.594         | 11.614        | 24    | 0.594         | FS                  | 10.000        | 5/7             | 50    | 0     | 1.732         | 7,800                               | 71,800  |
| 18.875        | 20    | 0.594         | 14.375        | 20    | 0.594         | FS                  | 13.000        | 5/7             | 65    | 0     | 2.000         | 8,800                               | 81,300  |
| 24.500        | 18    | 0.688         | 19.500        | 24    | 0.688         | SD                  | 17.250        | 4               | 69    | 0     | 2.375         | 12,750                              | 143,000                                       |
| 27.165        | 24    | 0.813         | 22.126        | 30    | 0.813         | SD                  | 20.000        | 4               | 80    | 0     | 2.480         | 13,250                              | 244,000                                       |
| 32.480        | 30    | 0.813         | 27.441        | 36    | 0.813         | SD                  | 25.250        | 4               | 101   | -.15  | 2.480         | 12,900                              | 343,000                                       |
| 39.250        | 40    | 0.813         | 33.750        | 40    | 0.813         | SD                  | 31.200        | 2.5             | 78    | 0     | 2.750         | 20,230                              | 461,000                                       |
| 46.125        | 30    | 0.938         | 39.875        | 36    | 0.938         | FD                  | 37.200        | 2.5             | 93    | 0     | 3.250         | 21,290                              | 720,000                                       |
| 52.500        | 48    | 0.938         | 45.250        | 48    | 0.938         | SD                  | 41.600        | 2.5             | 104   | -.40  | 3.000         | 24,900                              | 1,131,000                                     |
| 59.750        | 48    | 1.063         | 51.750        | 48    | 1.063         | SD                  | 48.400        | 2.5             | 121   | 0     | 4.312         | 38,500                              | 1,650,000                                     |
| 69.750        | 48    | 1.063         | 61.500        | 48    | 1.063         | FD                  | 58.000        | 2               | 116   | 0     | 4.500         | 46,600                              | 1,831,000                                     |
| 78.750        | 52    | 1.312         | 67.625        | 52    | 1.312         | SD                  | 63.333        | 1.5             | 95    | 0     | 5.000         | 75,450                              | 3,764,000                                     |
| 99.803        | 60    | 1.312         | 91.142        | 60    | 1.312         | FD                  | 86.667        | 1.5             | 130   | 0     | 5.500         | 81,500                              | 3,457,000                                     |
| 113.000       | 52    | 1.562         | 100.000       | 52    | 1.562         | SD                  | 94.667        | 1.5             | 142   | 0     | 4.750         | 69,900                              | 6,125,000                                     |
| 146.457       | 72    | 0.866         | 138.583       | 72    | 0.866         | FD                  | 135.827       | (10)            | 345   | 0     | 3.543         | 25,300                              | 1,013,000                                     |
| 165.120       | 90    | 1.313         | 156.000       | 90    | 1.313         | SD                  | 152.500       | 2               | 305   | 0     | 5.000         | 45,400                              | 3,003,000                                     |

# XT Series



## EXTERNAL GEAR

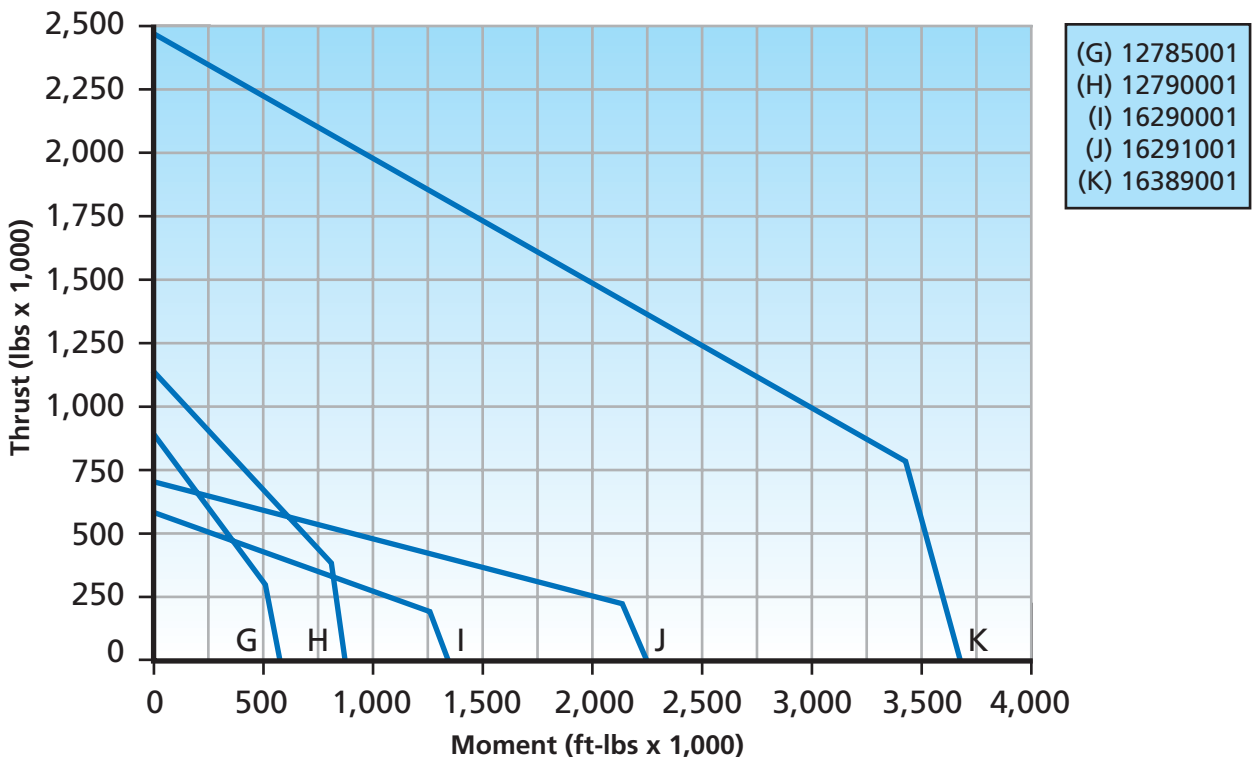
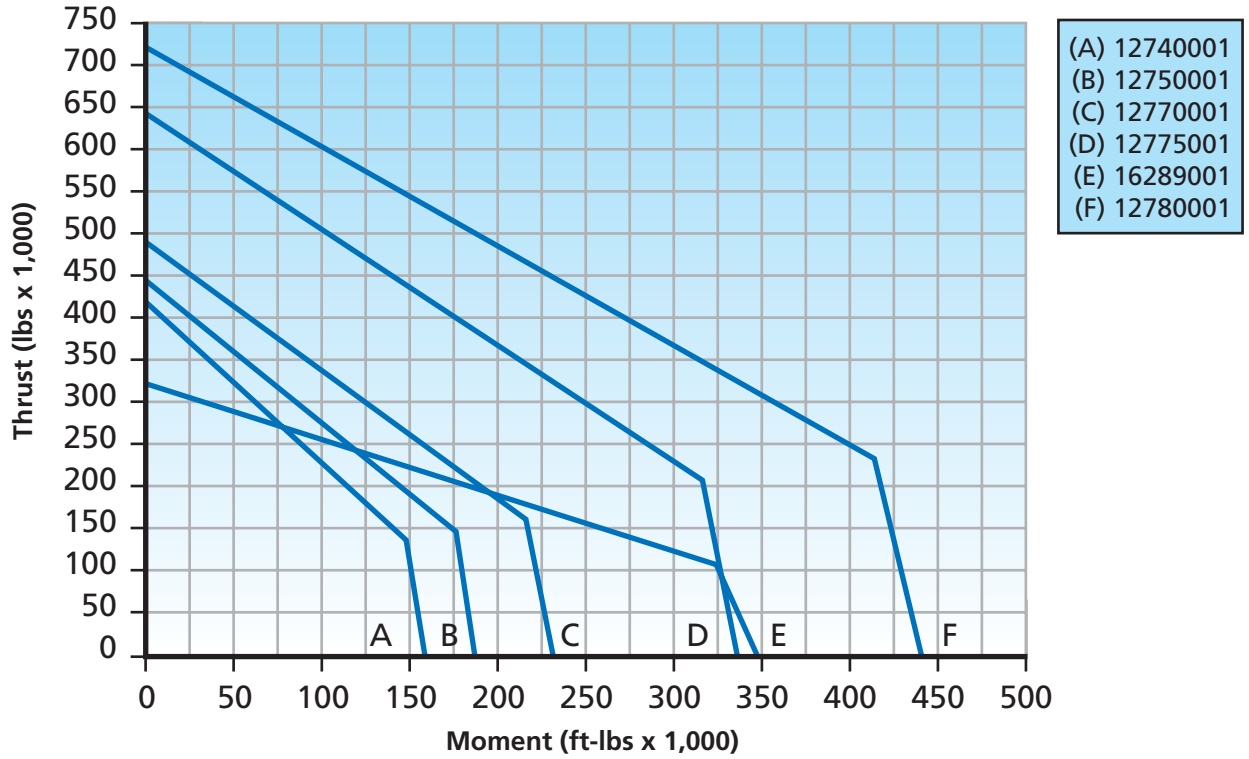
| KAYDON<br>P/N | OUTLINE DIMENSIONS AND WEIGHT |               |             |               |               |               |                 |                       |
|---------------|-------------------------------|---------------|-------------|---------------|---------------|---------------|-----------------|-----------------------|
|               | $D_o$<br>(in)                 | $d_i$<br>(in) | $H$<br>(in) | $H_o$<br>(in) | $H_i$<br>(in) | $D_r$<br>(in) | $d_r^*$<br>(in) | G<br>APPROX.<br>(lbs) |
| 16305001      | 9.500                         | 4.813         | 1.344       | 1.141         | 1.141         | —             | —               | 15                    |
| 16306001      | 21.286                        | 12.438        | 2.812       | 2.656         | 2.656         | —             | —               | 140                   |
| 16307001      | 30.457                        | 19.000        | 3.625       | 3.250         | 3.250         | —             | —               | 330                   |
| 12440001      | 39.400                        | 29.500        | 3.875       | 3.031         | 3.031         | 38.375        | —               | 390                   |
| 16308001      | 50.640                        | 37.750        | 4.000       | 3.620         | 3.620         | —             | —               | 770                   |
| 12288001      | 54.300                        | 42.000        | 4.625       | 3.625         | 3.625         | 52.250        | —               | 770                   |
| 16309001      | 56.240                        | 41.370        | 4.750       | 3.850         | 4.400         | —             | —               | 1,133                 |
| 16310001      | 61.300                        | 47.125        | 5.875       | 4.688         | 4.688         | 59.375        | —               | 1,420                 |
| 16311001      | 75.000                        | 54.500        | 6.500       | 5.875         | 5.875         | 72.560        | —               | 2,865                 |
| 16312001      | 85.067                        | 66.750        | 7.120       | 6.500         | 6.620         | 82.120        | —               | 3,410                 |
| 16313001      | 98.800                        | 78.400        | 6.625       | 6.000         | 6.000         | 98.000        | —               | 4,000                 |
| 16314001      | 134.331                       | 118.110       | 5.512       | 5.000         | 5.000         | 130.984       | —               | 3,600                 |
| 16315001      | 170.079                       | 146.850       | 6.024       | 5.512         | 5.512         | —             | —               | 8,030                 |
| 16316001      | 196.850                       | 173.622       | 7.000       | 6.250         | 6.250         | 192.716       | —               | 10,100                |
| 16317001      | 218.268                       | 197.244       | 5.512       | 5.039         | 5.039         | 216.142       | —               | 8,700                 |

\*No internal diameters for this type.

# XT Series

| HOLE DATA     |       |               |               |       |               | GEAR DATA           |               |                 |       |       |               | GEAR TOOTH RATING<br>$F_z$<br>(lbs) | BEARING MOMENT RATING<br>$C_{rm}$<br>(ft-lbs) |
|---------------|-------|---------------|---------------|-------|---------------|---------------------|---------------|-----------------|-------|-------|---------------|-------------------------------------|---|
| OUTER RING    |       |               | INNER RING    |       |               | $\alpha = 20^\circ$ |               |                 |       |       |               |                                     |   |
| $L_o$<br>(in) | $n_o$ | $B_o$<br>(in) | $L_i$<br>(in) | $n_i$ | $B_i$<br>(in) | TOOTH FORM          | $D_2$<br>(in) | $P_d$<br>or (m) | $z_2$ | $x_2$ | $b_2$<br>(in) |                                     |   |
| 8.188         | 12    | 0.354         | 5.500         | 12    | 0.354         | FD                  | 9.250         | 8               | 74    | 0     | 1.141         | 2,470                               | 6,200   |
| 19.156        | 16    | 0.813         | 13.750        | 18    | 0.813         | FS                  | 21.000        | 5/7             | 105   | 0     | 2.656         | 10,570                              | 122,500                                       |
| 27.375        | 30    | 0.813         | 20.625        | 29    | 0.813         | SD                  | 30.000        | 3.5             | 105   | 0     | 3.250         | 17,400                              | 322,000                                       |
| 36.750        | 36    | 0.813         | 31.250        | 39    | 0.813         | SD                  | 39.000        | 4               | 156   | 0     | 2.750         | 14,000                              | 477,000                                       |
| 47.000        | 30    | 1.031         | 40.000        | 29    | 1.031         | SD                  | 50.000        | 2.5             | 125   | 0     | 3.620         | 27,400                              | 832,000                                       |
| 50.375        | 30    | 1.062         | 44.125        | 36    | 1.062         | SD                  | 53.500        | 2               | 107   | 0     | 3.000         | 28,150                              | 875,000                                       |
| 52.000        | 28    | 1.313         | 44.000        | 28    | 1.313         | SD                  | 55.600        | 2.5             | 139   | 0     | 3.850         | 29,300                              | 1,220,000                                     |
| 57.375        | 40    | 1.063         | 49.250        | 44    | 1.063         | SD                  | 60.500        | 2               | 121   | 0     | 4.000         | 40,850                              | 1,522,000                                     |
| 70.250        | 40    | 1.313         | 58.500        | 40    | 1.313         | FD                  | 74.000        | 2               | 148   | 0     | 4.000         | 36,600                              | 2,873,000                                     |
| 80.125        | 48    | 1.313         | 69.250        | 48    | 1.313         | SD                  | 84.000        | 1.5             | 126   | 0     | 6.000         | 81,900                              | 3,575,000                                     |
| 94.250        | 72    | 1.562         | 82.500        | 60    | 1.812         | SD                  | 98.000        | 2               | 196   | 0     | 4.750         | 49,600                              | 4,951,000                                     |
| 128.976       | 72    | 1.260         | 120.512       | 72    | 1.260         | FD                  | 132.520       | (18)            | 187   | .28   | 4.724         | 61,800                              | 2,070,000                                     |
| 162.598       | 72    | 1.535         | 150.787       | 72    | 1.535         | FD                  | 168.504       | (20)            | 214   | 0     | 5.512         | 80,500                              | 4,176,000                                     |
| 189.370       | 80    | 1.535         | 177.559       | 80    | 1.535         | FD                  | 195.276       | (20)            | 248   | 0     | 5.512         | 81,000                              | 5,210,000                                     |
| 212.598       | 90    | 1.260         | 200.787       | 90    | 1.260         | FD                  | 217.323       | (12)            | 460   | 0     | 3.780         | 31,100                              | 3,190,000                                     |

# XT Series Load Charts - No Gear

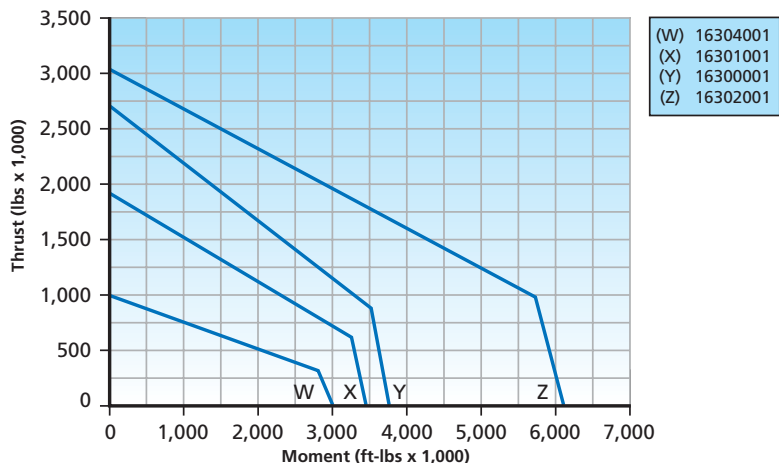
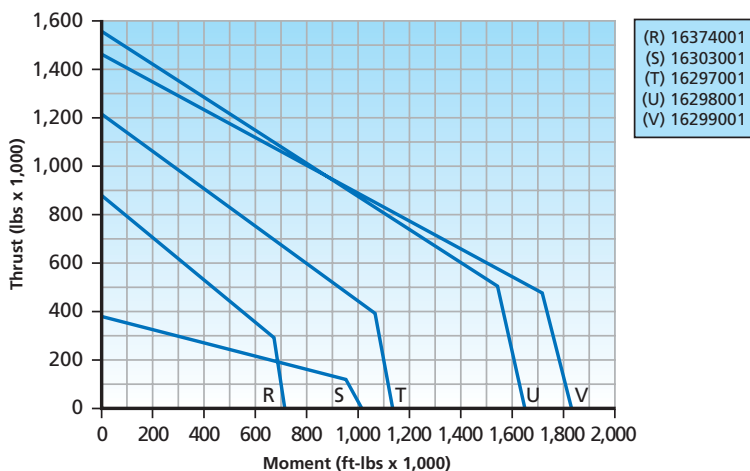
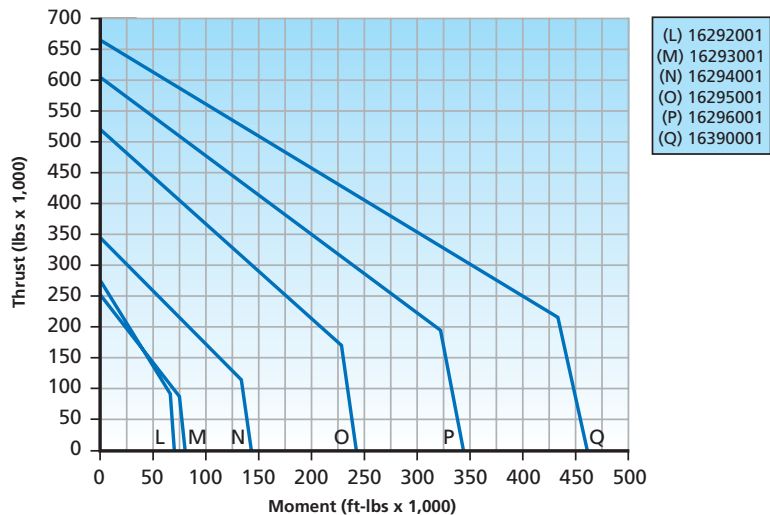


Section 4 – Bearing Tables & Ratings



Rating Charts are only applicable for operating conditions defined as NORMAL OPERATION in Section 2 and when installed and maintained as defined in Section 3 of this catalog. Bearing diameter increase does not necessarily ensure bearing rating increase due to variations in rolling elements, ring section, and fastener complements. For information concerning the basis for development of Rating Charts refer to the LOAD RATING paragraph in Section 2.

# XT Series Load Charts - Internal Gear

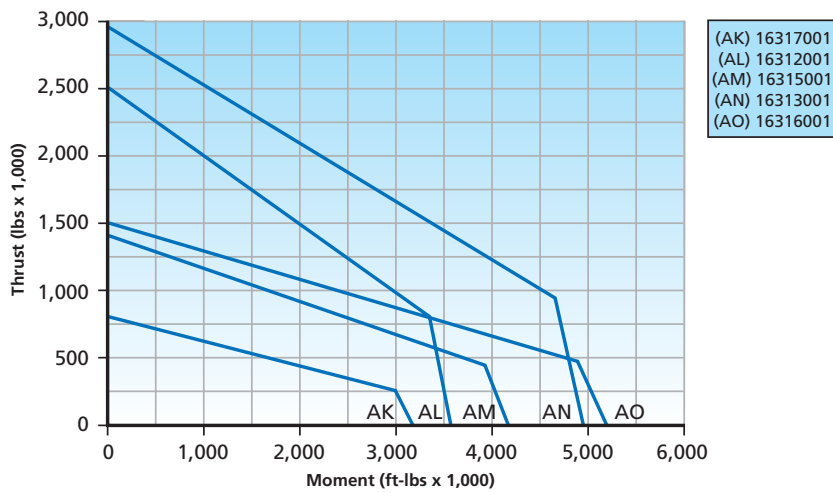
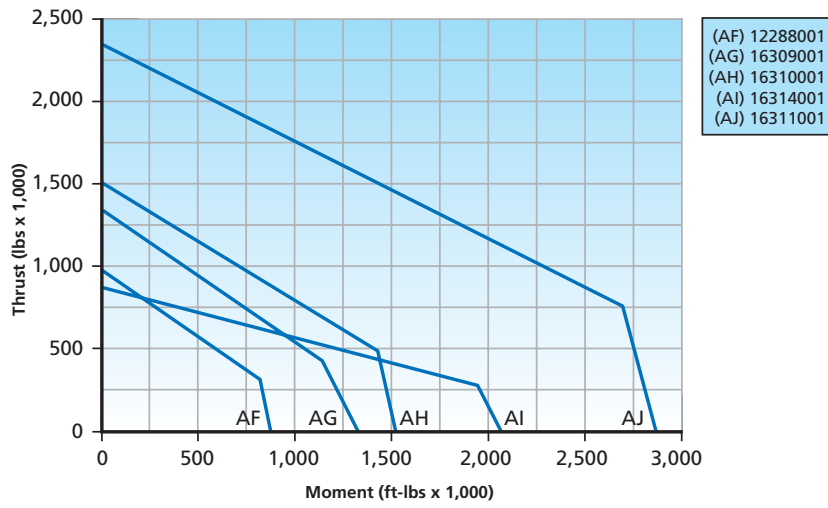
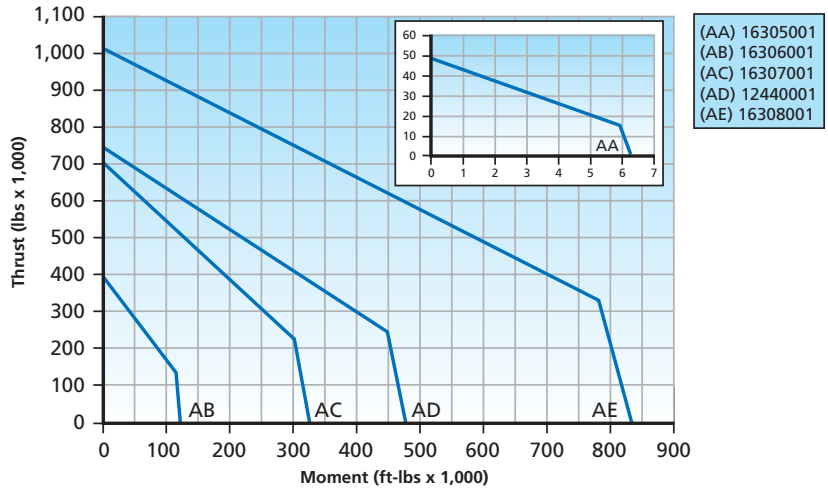



Rating Charts are only applicable for operating conditions defined as NORMAL OPERATION in Section 2 and when installed and maintained as defined in Section 3 of this catalog. Bearing diameter increase does not necessarily ensure bearing rating increase due to variations in rolling elements, ring section, and fastener complements. For information concerning the basis for development of Rating Charts refer to the LOAD RATING paragraph in Section 2.



# XT Series Load Charts - External Gear

Section 4 – Bearing Tables & Ratings



 Rating Charts are only applicable for operating conditions defined as NORMAL OPERATION in Section 2 and when installed and maintained as defined in Section 3 of this catalog. Bearing diameter increase does not necessarily ensure bearing rating increase due to variations in rolling elements, ring section, and fastener complements. For information concerning the basis for development of Rating Charts refer to the LOAD RATING paragraph in Section 2.

# DT Series Bearings

## Introduction

The DT Series consists of the eight-point ball bearing Kaydon originally developed to provide maximum load capacity for given envelope and bolt circle diameters. It provides up to 80% increase in capacity over that of a single row four-point design, yet has a smaller profile than a three-row roller design.

## Design Features

The internal configuration consists of two deep groove gothic arch raceways, each with a maximum ball complement, located in both the inner and outer rings. This results in a total of eight surfaces where the balls may contact at any time, providing exceptional moment, thrust, and radial load capacities. Through precise manufacturing, the raceways are closely matched to provide a high degree of load sharing. Integral seals are provided to assist in the exclusion of contaminants.



## Availability

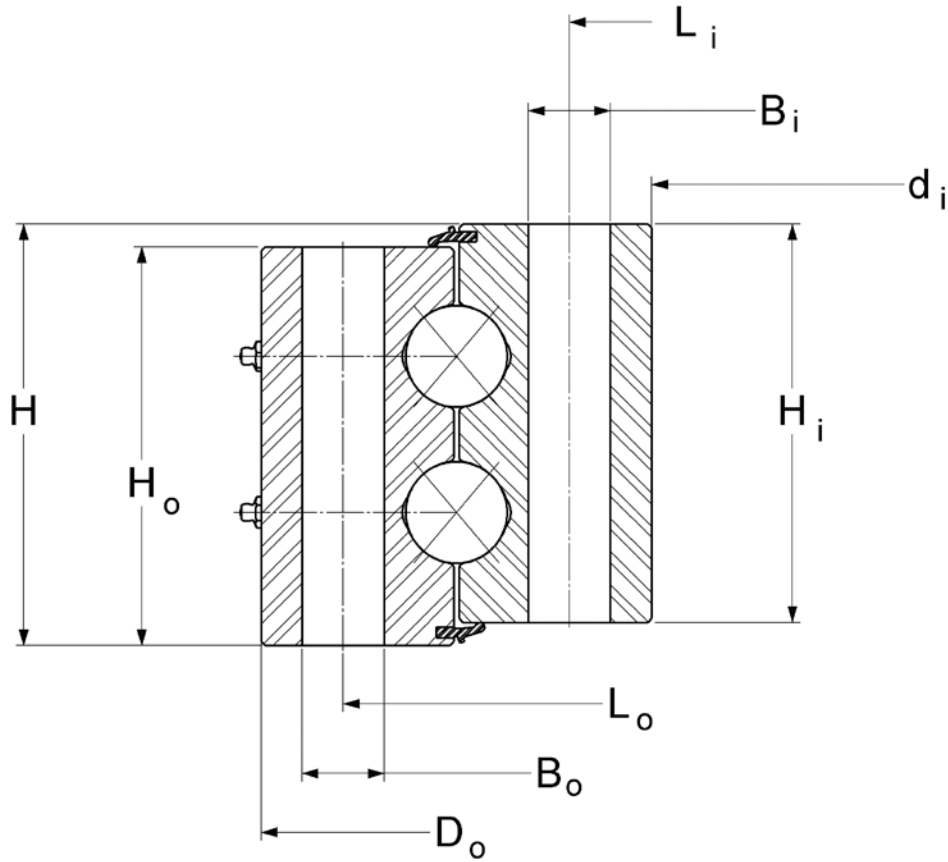
DT Series bearings are made to order with a fully customizable hole pattern for bearing retention, and an internal or external gear or other drive mechanism.

## Applications

DT Series bearings have been used successfully in heavy duty applications including:

- Large excavators
- Large cranes
- Mining equipment
- Wind turbines
- Telescopes

# DT Series



## NO GEAR

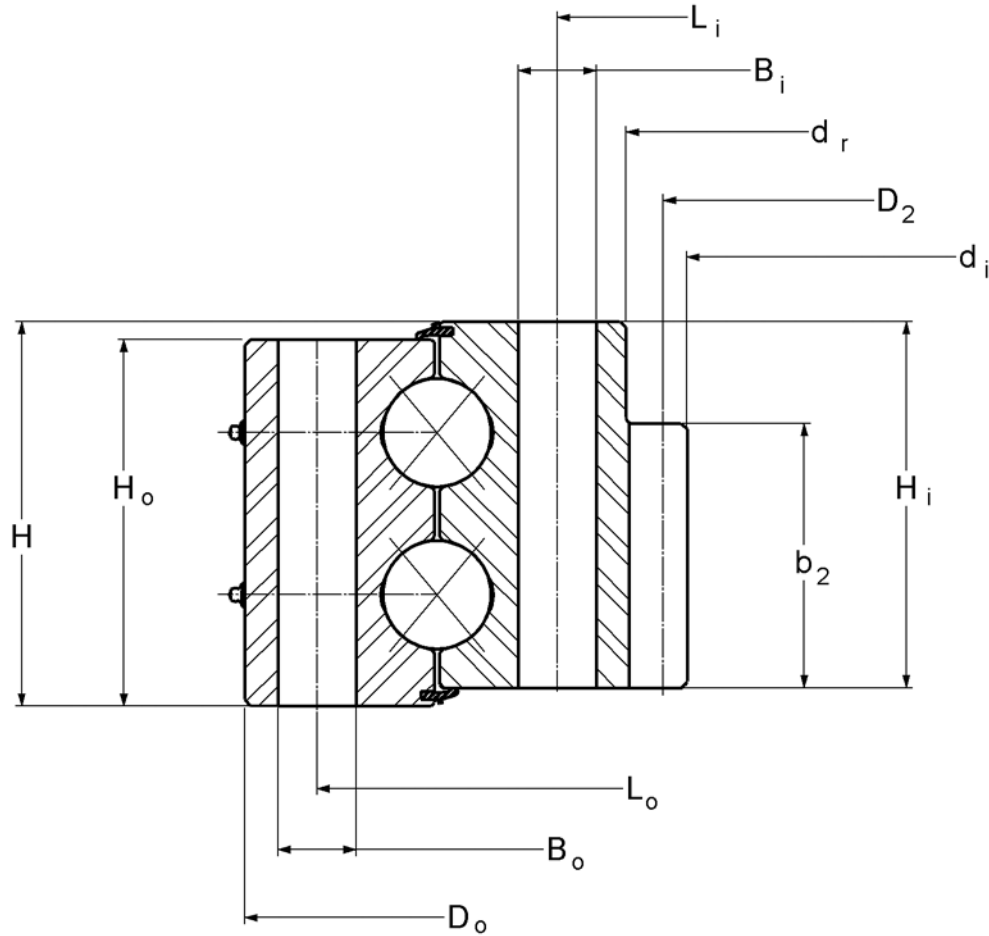
| KAYDON<br>P/N | OUTLINE DIMENSIONS AND WEIGHT |               |           |               |               |                 |                 |                       |
|---------------|-------------------------------|---------------|-----------|---------------|---------------|-----------------|-----------------|-----------------------|
|               | $D_o$<br>(in)                 | $d_i$<br>(in) | H<br>(in) | $H_o$<br>(in) | $H_i$<br>(in) | $D_r^*$<br>(in) | $d_r^*$<br>(in) | G<br>APPROX.<br>(lbs) |
| 16282001      | 20.375                        | 12.250        | 4.500     | 4.185         | 4.185         | —               | —               | 210                   |
| 16283001      | 29.750                        | 18.620        | 7.000     | 6.500         | 6.551         | —               | —               | 645                   |
| 16284001      | 41.417                        | 30.236        | 7.480     | 6.890         | 6.890         | —               | —               | 1,060                 |
| 16015001      | 56.250                        | 43.750        | 6.750     | 6.380         | 6.380         | —               | —               | 1,520                 |
| 16285001      | 75.750                        | 59.750        | 8.750     | 8.375         | 8.375         | —               | —               | 3,540                 |
| 16286001      | 131.000                       | 114.000       | 8.000     | 7.500         | 7.500         | —               | —               | 6,950                 |
| 13004001      | 170.000                       | 150.000       | 9.875     | 9.250         | 9.250         | —               | —               | 11,950                |

\*No internal or external diameters for this type.

# DT Series

| HOLE DATA     |       |               |               |       |               | GEAR DATA           |               |                 |       |       |               |   | GEAR<br>TOOTH<br>RATING<br>$F_z$<br>(lbs) | BEARING<br>MOMENT<br>RATING<br>$C_{rm}$<br>(ft-lbs) |
|---------------|-------|---------------|---------------|-------|---------------|---------------------|---------------|-----------------|-------|-------|---------------|---|---|---|
| OUTER RING    |       |               | INNER RING    |       |               | $\alpha = 20^\circ$ |               |                 |       |       |               |   |   |   |
| $L_o$<br>(in) | $n_o$ | $B_o$<br>(in) | $L_i$<br>(in) | $n_i$ | $B_i$<br>(in) | TOOTH<br>FORM       | $D_2$<br>(in) | $P_d$<br>or (m) | $z_2$ | $x_2$ | $b_2$<br>(in) |   |   |   |
| 18.875        | 20    | 0.688         | 13.625        | 20    | 0.688         | —                   | —             | —               | —     | —     | —             | — | 102,500                                   |   |
| 27.875        | 34    | 0.813         | 20.375        | 32    | 0.813         | —                   | —             | —               | —     | —     | —             | — | 363,100                                   |   |
| 39.449        | 36    | 0.866         | 32.205        | 36    | 0.866         | —                   | —             | —               | —     | —     | —             | — | 734,800                                   |   |
| 53.630        | 36    | 1.313         | 46.380        | 36    | 1 1/4-7       | —                   | —             | —               | —     | —     | —             | — | 2,083,600                                 |   |
| 73.625        | 48    | 1.004         | 62.375        | 36    | 1.250         | —                   | —             | —               | —     | —     | —             | — | 2,934,900                                 |   |
| 127.000       | 64    | 1.313         | 118.000       | 64    | 1.313         | —                   | —             | —               | —     | —     | —             | — | 5,666,800                                 |   |
| 166.000       | 64    | 1.625         | 154.000       | 64    | 1.625         | —                   | —             | —               | —     | —     | —             | — | 8,098,000                                 |   |

# DT Series



## INTERNAL GEAR

| KAYDON P/N | OUTLINE DIMENSIONS AND WEIGHT |               |           |               |               |                 |               |                       |
|------------|-------------------------------|---------------|-----------|---------------|---------------|-----------------|---------------|-----------------------|
|            | $D_o$<br>(in)                 | $d_i$<br>(in) | H<br>(in) | $H_o$<br>(in) | $H_i$<br>(in) | $D_r^*$<br>(in) | $d_r$<br>(in) | G<br>APPROX.<br>(lbs) |
| 16274001   | 56.693                        | 43.661        | 5.472     | 5.118         | 5.118         | —               | 46.142        | 1,200                 |
| 16275001   | 66.000                        | 47.600        | 8.000     | 7.625         | 7.625         | —               | 50.125        | 2,820                 |
| 16276001   | 70.500                        | 50.200        | 8.625     | 8.312         | 8.312         | —               | 52.125        | 3,700                 |
| 16277001   | 81.890                        | 65.248        | 5.591     | 5.197         | 5.197         | —               | 67.520        | 2,460                 |
| 16278001   | 94.173                        | 77.008        | 7.126     | 6.732         | 6.732         | —               | 79.291        | 3,410                 |
| 16279001   | 109.375                       | 87.170        | 9.312     | 8.937         | 8.000         | —               | 87.170        | 7,100                 |
| 16280001   | 121.000                       | 98.400        | 8.750     | 8.438         | 8.438         | —               | 102.250       | 7,440                 |
| 16281001   | 141.000                       | 114.941       | 11.180    | 10.000        | 10.430        | —               | 120.710       | 14,850                |

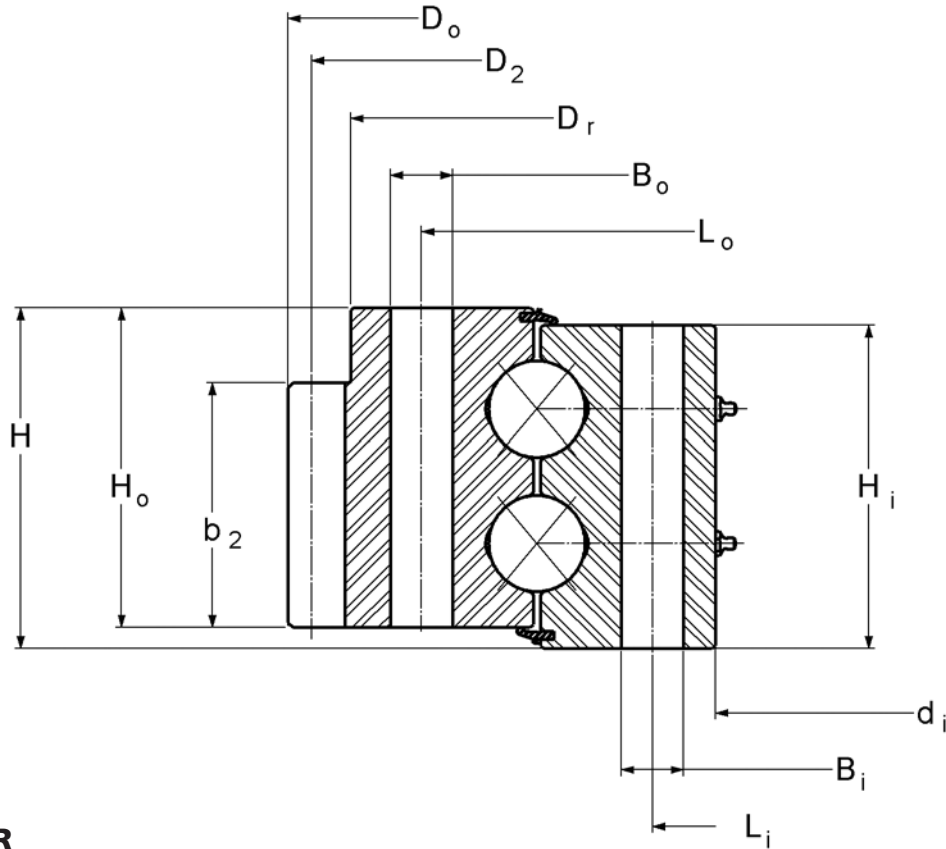
\*No external diameters for this type.

# DT Series

| HOLE DATA     |       |               |               |       |               | GEAR DATA           |               |                 |       |       |               | GEAR TOOTH RATING<br>$F_z$<br>(lbs) | BEARING MOMENT RATING<br>$C_{rm}$<br>(ft-lbs) |
|---------------|-------|---------------|---------------|-------|---------------|---------------------|---------------|-----------------|-------|-------|---------------|-------------------------------------|---|
| OUTER RING    |       |               | INNER RING    |       |               | $\alpha = 20^\circ$ |               |                 |       |       |               |                                     |   |
| $L_o$<br>(in) | $n_o$ | $B_o$<br>(in) | $L_i$<br>(in) | $n_i$ | $B_i$<br>(in) | TOOTH FORM          | $D_2$<br>(in) | $P_d$<br>or (m) | $z_2$ | $x_2$ | $b_2$<br>(in) |                                     |   |
| 54.724        | 48    | 0.866         | 48.425        | 48    | 0.866         | FD                  | 44.094        | (14)            | 80    | -5    | 4.134         | 48,640                              | 1,225,400                                     |
| 63.000        | 42    | 1.625         | 53.000        | 45    | 1.625         | SD                  | 48.667        | 1.5             | 73    | 0     | 5.500         | 78,680                              | 3,921,100                                     |
| 67.625        | 36    | 1 1/2-6       | 55.000        | 40    | 1.625         | SD                  | 51.000        | 2               | 102   | 0     | 5.000         | 56,400                              | 4,863,400                                     |
| 78.740        | 54    | 1.299         | 70.866        | 54    | 1.299         | FD                  | 65.669        | (12)            | 139   | -5    | 3.937         | 41,140                              | 2,534,900                                     |
| 90.787        | 60    | 1.535         | 82.677        | 60    | 1.535         | FD                  | 77.480        | (12)            | 164   | -5    | 3.937         | 40,770                              | 3,896,200                                     |
| 102.953       | 66    | 1.593         | 93.504        | 66    | 1.593         | FD                  | 87.874        | (18)            | 124   | -5    | 6.000         | 94,870                              | 9,075,400                                     |
| 117.000       | 72    | 1.625         | 105.000       | 72    | 1.625         | FD                  | 100.000       | 1.25            | 125   | 0     | 6.000         | 106,940                             | 8,751,800                                     |
| 133.661       | 90    | 1.625         | 124.252       | 90    | 1.625         | FD                  | 116.221       | (18)            | 165   | -5    | 10.000        | 155,340                             | 12,625,000                                    |



# DT Series



## EXTERNAL GEAR

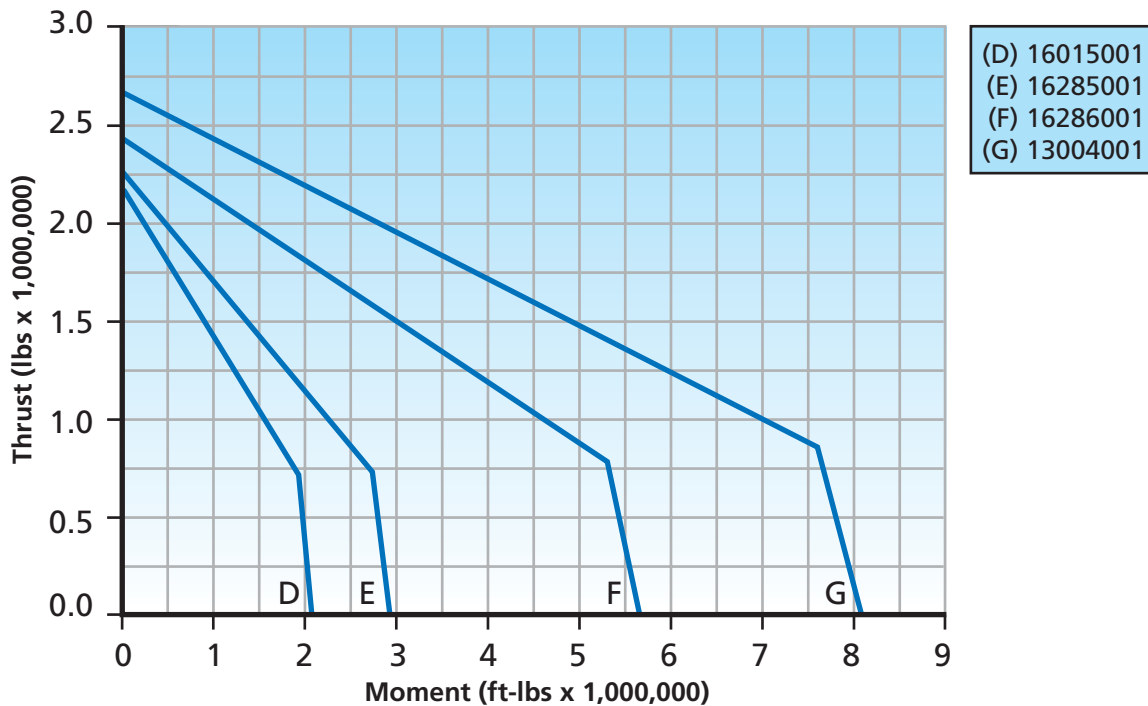
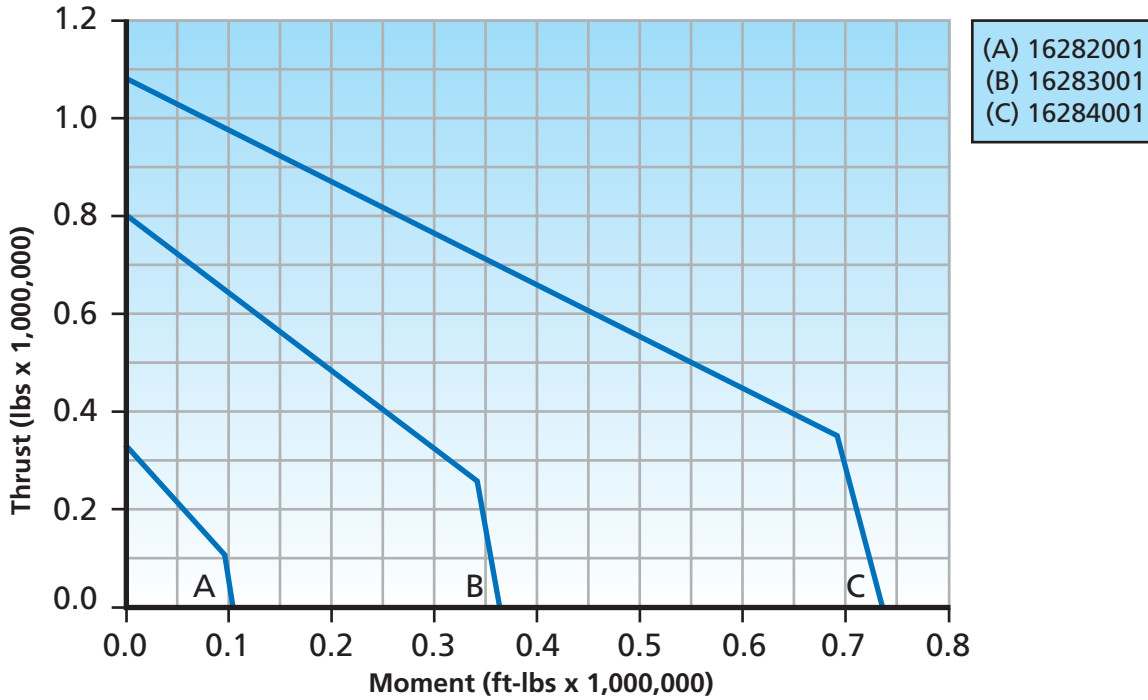
| KAYDON<br>P/N | OUTLINE DIMENSIONS AND WEIGHT |               |           |               |               |               |                 |                       |
|---------------|-------------------------------|---------------|-----------|---------------|---------------|---------------|-----------------|-----------------------|
|               | $D_o$<br>(in)                 | $d_i$<br>(in) | H<br>(in) | $H_o$<br>(in) | $H_i$<br>(in) | $D_r$<br>(in) | $d_r^*$<br>(in) | G<br>APPROX.<br>(lbs) |
| 16258001      | 17.086                        | 10.250        | 3.313     | 3.000         | 3.000         | 17.086        | —               | 105                   |
| 16264001      | 50.016                        | 38.504        | 5.512     | 5.157         | 4.567         | 48.425        | —               | 870                   |
| 16265001      | 56.240                        | 41.370        | 7.125     | 6.688         | 6.688         | 54.675        | —               | 1,730                 |
| 16266001      | 68.800                        | 51.250        | 7.375     | 6.875         | 7.000         | 68.800        | —               | 2,850                 |
| 16267001      | 75.394                        | 58.500        | 6.110     | 5.750         | 5.750         | 73.307        | —               | 2,450                 |
| 16268001      | 89.181                        | 71.400        | 7.090     | 6.650         | 6.730         | 96.566        | —               | 3,360                 |
| 16269001      | 94.742                        | 72.250        | 9.125     | 8.375         | 8.750         | 92.500        | —               | 5,560                 |
| 16270001      | 102.992                       | 84.134        | 7.205     | 6.654         | 6.654         | 99.331        | —               | 3,970                 |
| 16271001      | 124.800                       | 98.375        | 11.250    | 9.375         | 10.750        | 124.800       | —               | 10,500                |
| 16272001      | 143.800                       | 114.000       | 11.062    | 10.250        | 10.437        | 143.800       | —               | 14,980                |
| 16273001      | 180.000                       | 150.000       | 10.625    | 10.000        | 10.000        | 175.250       | —               | 22,100                |


\*No internal diameters for this type.

# DT Series

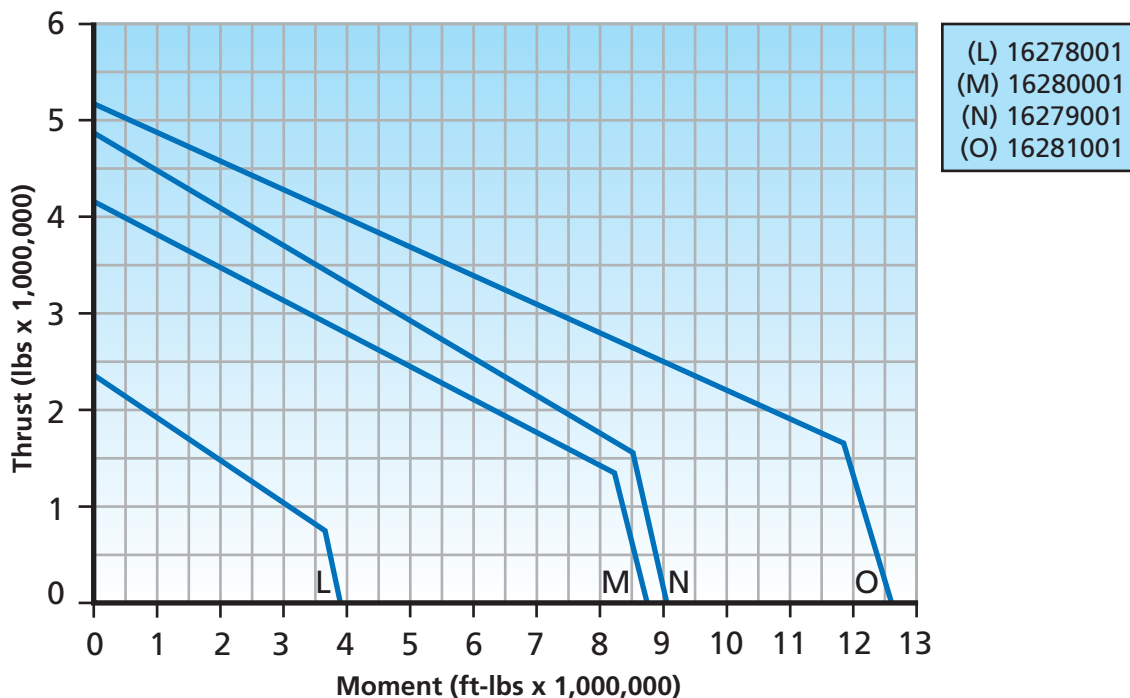
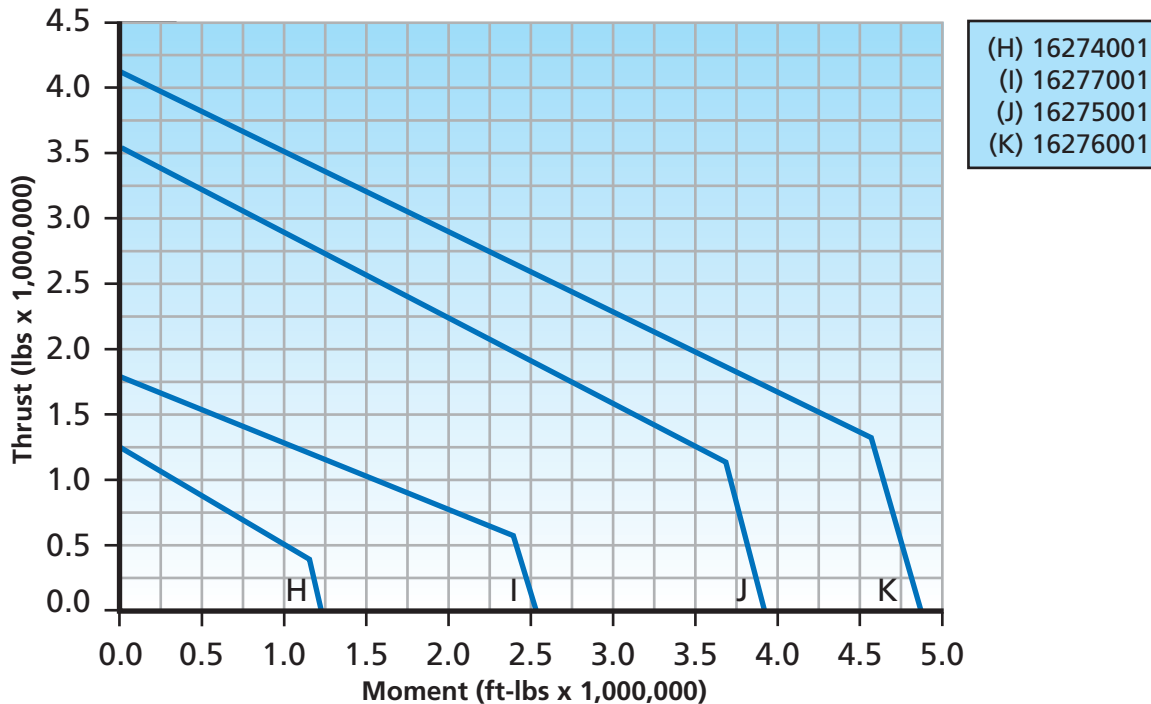
| HOLE DATA     |       |               |               |       |               | GEAR DATA           |               |                 |       |       |               | GEAR TOOTH RATING<br>$F_z$<br>(lbs) | BEARING MOMENT RATING<br>$C_{rm}$<br>(ft-lbs) |
|---------------|-------|---------------|---------------|-------|---------------|---------------------|---------------|-----------------|-------|-------|---------------|-------------------------------------|---|
| OUTER RING    |       |               | INNER RING    |       |               | $\alpha = 20^\circ$ |               |                 |       |       |               |                                     |   |
| $L_o$<br>(in) | $n_o$ | $B_o$<br>(in) | $L_i$<br>(in) | $n_i$ | $B_i$<br>(in) | TOOTH FORM          | $D_2$<br>(in) | $P_d$<br>or (m) | $z_2$ | $x_2$ | $b_2$<br>(in) |                                     |   |
| 15.354        | 18    | 0.563         | 11.614        | 24    | 0.563         | FS                  | 16.800        | 5/7             | 84    | 0     | 1.750         | 6,850                               | 65,200  |
| 46.496        | 42    | M24x3         | 40.551        | 48    | 1.024         | FD                  | 49.134        | (8)             | 156   | +5    | 3.346         | 19,390                              | 970,400                                       |
| 52.000        | 30    | 1.313         | 44.000        | 30    | 1.313         | SD                  | 55.600        | 2.5             | 139   | 0     | 4.000         | 30,480                              | 2,132,100                                     |
| 64.250        | 36    | 1.438         | 55.000        | 42    | 1.438         | FD                  | 68.000        | 2               | 136   | 0     | 4.000         | 36,480                              | 3,470,900                                     |
| 70.500        | 48    | 1.313         | 61.366        | 48    | 1.313         | FD                  | 74.016        | (10)            | 188   | +8    | 4.130         | 31,400                              | 3,335,700                                     |
| 83.622        | 60    | 1.299         | 74.016        | 60    | 1.299         | FD                  | 87.638        | (14)            | 159   | +5    | 5.080         | 53,760                              | 4,793,200                                     |
| 89.750        | 60    | 1.625         | 75.250        | 68    | 1.625         | SD                  | 94.000        | 2               | 188   | 0     | 5.500         | 55,490                              | 8,669,000                                     |
| 95.906        | 64    | 1.299         | 87.205        | 68    | 1.535         | FD                  | 100.787       | (20)            | 128   | +5    | 5.709         | 92,060                              | 3,658,500                                     |
| 117.625       | 72    | 1.875         | 103.625       | 72    | 1.875         | FD                  | 123.200       | 1.25            | 154   | 0     | 6.000         | 86,780                              | 14,639,200                                    |
| 136.625       | 72    | 2.156         | 121.375       | 72    | 2.156         | SD                  | 143.000       | 2               | 286   | 0     | 8.000         | 85,120                              | 18,293,300                                    |
| 170.000       | 80    | 1.875         | 156.250       | 80    | 1.875         | FD                  | 178.000       | 1               | 178   | 0     | 7.000         | 129,080                             | 18,000,000                                    |

# DT Series Load Charts – No Gear



 Rating Charts are only applicable for operating conditions defined as NORMAL OPERATION in Section 2 and when installed and maintained as defined in Section 3 of this catalog. Bearing diameter increase does not necessarily ensure bearing rating increase due to variations in rolling elements, ring section, and fastener complements. For information concerning the basis for development of Rating Charts refer to the LOAD RATING paragraph in Section 2.

# DT Series Load Charts – Internal Gear

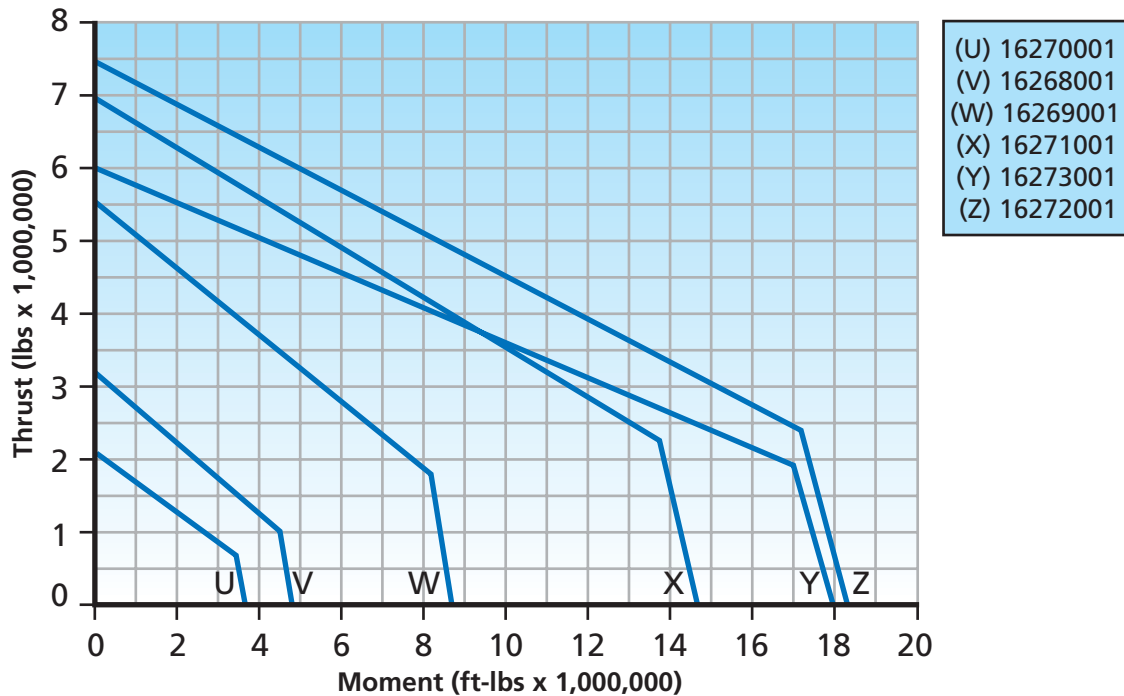
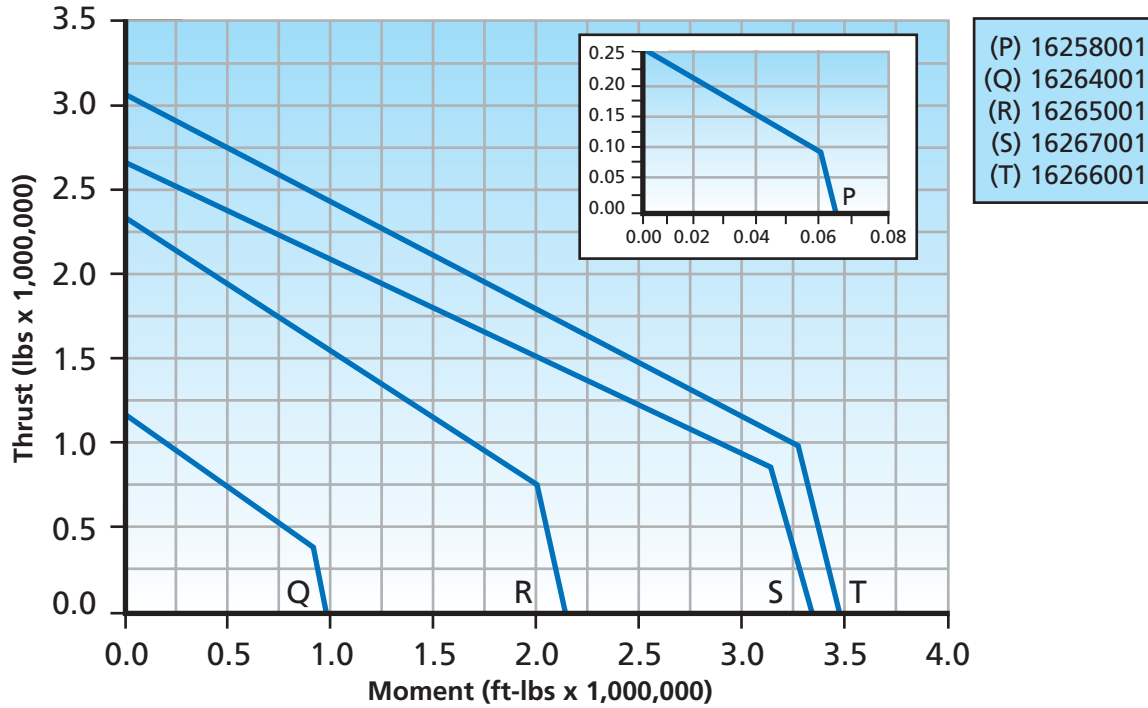


Section 4 – Bearing Tables & Ratings



Rating Charts are only applicable for operating conditions defined as NORMAL OPERATION in Section 2 and when installed and maintained as defined in Section 3 of this catalog. Bearing diameter increase does not necessarily ensure bearing rating increase due to variations in rolling elements, ring section, and fastener complements. For information concerning the basis for development of Rating Charts refer to the LOAD RATING paragraph in Section 2.

# DT Series Load Charts – External Gear



Section 4 – Bearing Table & Ratings



Rating Charts are only applicable for operating conditions defined as NORMAL OPERATION in Section 2 and when installed and maintained as defined in Section 3 of this catalog. Bearing diameter increase does not necessarily ensure bearing rating increase due to variations in rolling elements, ring section, and fastener complements. For information concerning the basis for development of Rating Charts refer to the LOAD RATING paragraph in Section 2.

# XR Series

## Introduction

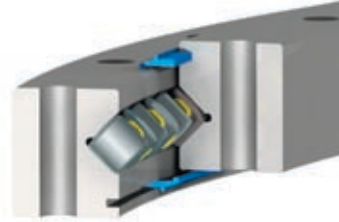
The XR Series consists of KAYDON® cross roller bearings. They provide a high degree of stiffness and low rotational torque within a minimal envelope. This design should be considered when a four-point contact ball bearing does not meet the operating performance requirements for torque and stiffness.

## Design Features

The internal configuration consists of cylindrical rollers in a v-shaped groove in each ring. The rollers are oriented with alternating axes of rotation. Positioned in this manner, the bearing accepts all combinations of radial, thrust, and moment loads. Rotational torque is less than a four-point contact ball design because each roller only transmits load in a single direction, and the greater contact area and geometry of a roller versus a ball provides a higher degree of stiffness and rigidity.

A roller of approximately the same size as a ball has greater load-carrying ability. However, because not all the rollers are oriented in one direction, their thrust and moment load capacity is less than that of a four-point ball bearing.

Gear teeth or other drive mechanisms can be provided on the inner or outer support ring, and your choice of hole pattern can be added for bearing retention.



## Availability

XR Series bearings are custom manufactured to fit the design and specification.

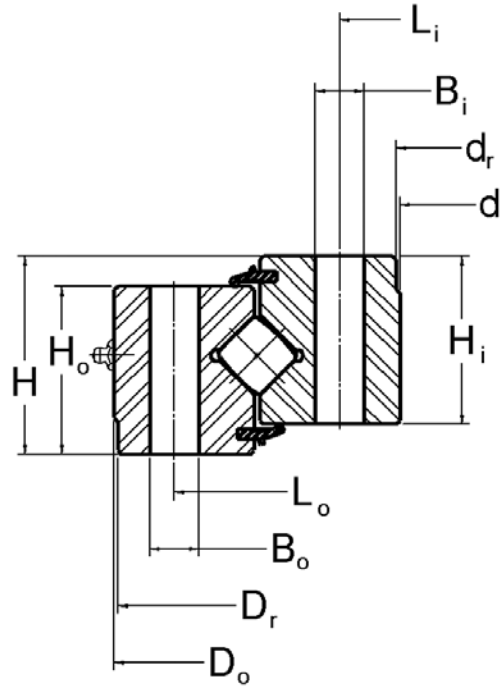
## Applications

XR Series bearings have been used successfully in applications requiring extra stiffness with a low torque requirement including:

- Radar
- Military turrets
- Machine tools
- Excavators



# XR Series



## NO GEAR

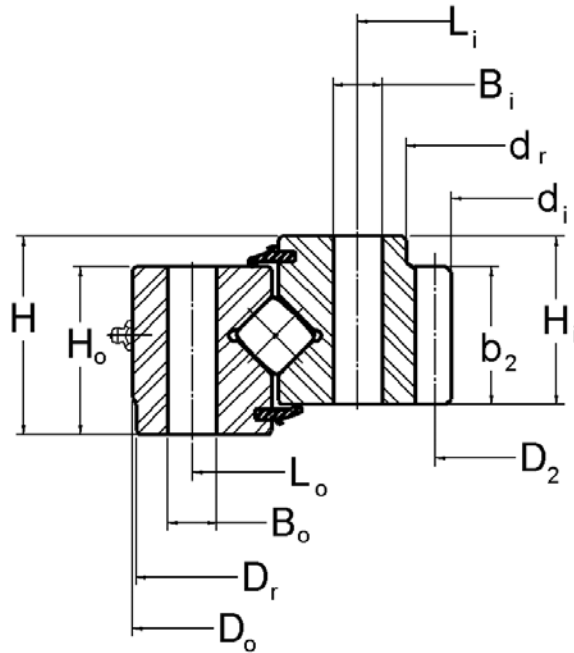
| KAYDON<br>P/N | OUTLINE DIMENSIONS AND WEIGHT |               |           |               |               |               |               |                       | HOLE DATA     |       |               |               |       |               |
|---------------|-------------------------------|---------------|-----------|---------------|---------------|---------------|---------------|-----------------------|---------------|-------|---------------|---------------|-------|---------------|
|               |                               |               |           |               |               |               |               |                       | OUTER RING    |       |               | INNER RING    |       |               |
|               | $D_o$<br>(in)                 | $d_i$<br>(in) | H<br>(in) | $H_o$<br>(in) | $H_i$<br>(in) | $D_r$<br>(in) | $d_r$<br>(in) | G<br>APPROX.<br>(lbs) | $L_o$<br>(in) | $n_o$ | $B_o$<br>(in) | $L_i$<br>(in) | $n_i$ | $B_i$<br>(in) |
| 16318001      | 11.811                        | 5.512         | 1.417     | 1.181         | 1.181         | —             | —             | 30                    | 10.630        | 6     | M16x2         | 6.693         | 6     | M16x2         |
| 16319001      | 15.886                        | 9.055         | 2.165     | 1.772         | 1.850         | —             | —             | 65                    | 14.094        | 24    | 0.512         | 10.197        | 24    | 0.512         |
| 16320001      | 27.362                        | 18.779        | 3.031     | 2.520         | 2.244         | 27.283        | 18.897        | 85                    | 25.197        | 28    | 0.709         | 20.000        | 28    | 0.709         |
| 16321001      | 35.312                        | 26.625        | 2.953     | 2.863         | 2.863         | 35.251        | 26.750        | 325                   | 34.000        | 24    | 1/2-13        | 29.000        | 24    | 0.590         |
| 16322001      | 46.250                        | 34.250        | 4.250     | 3.880         | 3.880         | —             | 34.380        | 765                   | 44.000        | 28    | 1-8           | 36.250        | 28    | 1.063         |
| 16323001      | 56.380                        | 46.770        | 3.820     | 3.470         | 3.430         | 56.295        | 46.850        | 710                   | 40.000        | 36    | 0.813         | 33.875        | 36    | 3/4-16        |
| 16324001      | 85.000                        | 74.000        | 3.750     | 3.250         | 3.250         | 84.880        | 74.120        | 1,190                 | 83.000        | 42    | 0.938         | 76.000        | 42    | 0.938         |
| 16325001      | 95.000                        | 82.000        | 4.000     | 3.500         | 3.500         | 94.875        | 82.063        | 1,660                 | 93.000        | 48    | 1.063         | 85.000        | 48    | 1.063         |
| 16326001      | 131.890                       | 112.205       | 7.874     | 6.496         | 7.087         | 131.250       | 120.866       | 6,500                 | 127.559       | 40    | M36x3         | 116.535       | 40    | 1.496         |
| 16327001      | 158.661                       | 140.945       | 8.819     | 6.654         | 6.654         | —             | —             | 6,400                 | 155.315       | 92    | 1.654         | 144.291       | 92    | 1.654         |

Note: Capacities are dynamic and based on an L10 life of 1 million revolutions per ABMA Std 11-1990. Values listed do not apply simultaneously. Ring cross section and bolted joint configuration used may result in lower bearing capacity ratings.

# XR Series

| TOOTH FORM | GEAR DATA<br>$\alpha = 20^\circ$ |                 |       |       |               |                 | GEAR TOOTH RATING<br>$F_z$<br>(lbs) | DYNAMIC CAPACITIES<br>1 MILLION REVOLUTIONS L10 LIFE |                    |  |
|------------|----------------------------------|-----------------|-------|-------|---------------|-----------------|-------------------------------------|--|--------------------|--|
|            | $D_2$<br>(in)                    | $P_d$<br>or (m) | $z_2$ | $x_2$ | $b_2$<br>(in) | RADIAL<br>(lbs) |                                     | THRUST<br>(lbs)                                      | MOMENT<br>(ft-lbs) |  |
| —          | —                                | —               | —     | —     | —             | —               | 19,150                              | 22,340   | 7,530              |  |
| —          | —                                | —               | —     | —     | —             | —               | 36,850                              | 42,830   | 20,140             |  |
| —          | —                                | —               | —     | —     | —             | —               | 64,560                              | 73,730   | 65,660             |  |
| —          | —                                | —               | —     | —     | —             | —               | 81,310                              | 91,980   | 116,170            |  |
| —          | —                                | —               | —     | —     | —             | —               | 235,420                             | 270,010  | 425,900            |  |
| —          | —                                | —               | —     | —     | —             | —               | 209,680                             | 237,380  | 482,960            |  |
| —          | —                                | —               | —     | —     | —             | —               | 267,330                             | 300,410  | 956,430            |  |
| —          | —                                | —               | —     | —     | —             | —               | 362,100                             | 407,250  | 1,450,300          |  |
| —          | —                                | —               | —     | —     | —             | —               | 762,050                             | 858,130  | 4,185,500          |  |
| —          | —                                | —               | —     | —     | —             | —               | 723,870                             | 812,130  | 4,879,900          |  |

# XR Series



## INTERNAL GEAR

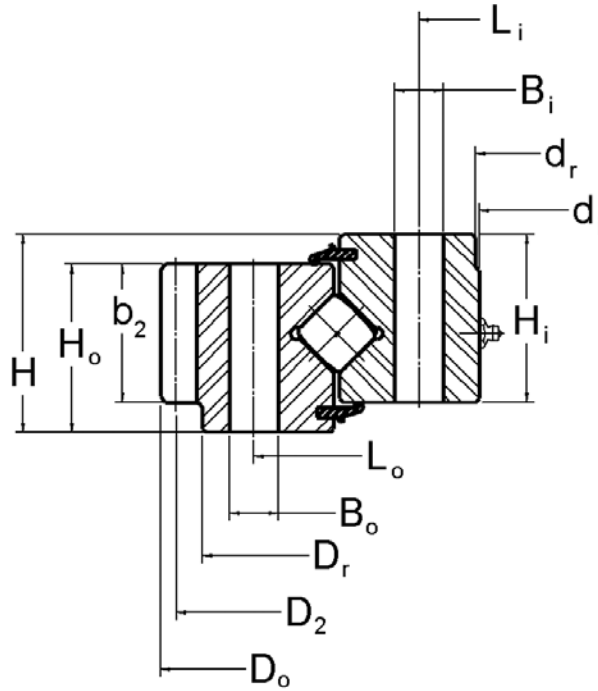
| KAYDON<br>P/N | OUTLINE DIMENSIONS AND WEIGHT |                        |           |                        |                        |                        |                        |                       | HOLE DATA              |                |                        |                        |                |                        |
|---------------|-------------------------------|------------------------|-----------|------------------------|------------------------|------------------------|------------------------|-----------------------|------------------------|----------------|------------------------|------------------------|----------------|------------------------|
|               |                               |                        |           |                        |                        |                        |                        |                       | OUTER RING             |                |                        | INNER RING             |                |                        |
|               | D <sub>o</sub><br>(in)        | d <sub>i</sub><br>(in) | H<br>(in) | H <sub>o</sub><br>(in) | H <sub>i</sub><br>(in) | D <sub>r</sub><br>(in) | d <sub>r</sub><br>(in) | G<br>APPROX.<br>(lbs) | L <sub>o</sub><br>(in) | n <sub>o</sub> | B <sub>o</sub><br>(in) | L <sub>i</sub><br>(in) | n <sub>i</sub> | B <sub>i</sub><br>(in) |
| 16328001      | 26.700                        | 18.667                 | 2.500     | 2.000                  | 2.000                  | —                      | —                      | 130                   | 24.500                 | 18             | 1/2-13                 | 20.500                 | 18             | 1/2-13                 |
| 16329001      | 36.000                        | 24.160                 | 3.880     | 3.380                  | 3.380                  | —                      | —                      | 465                   | 33.250                 | 24             | 0.813                  | 27.250                 | 30             | 3/4-10                 |
| 16330001      | 41.500                        | 30.320                 | 4.190     | 3.370                  | 4.000                  | —                      | 32.360                 | 510                   | 40.000                 | 36             | 0.807                  | 33.500                 | 36             | 3/4-16                 |
| 16331001      | 41.970                        | 30.828                 | 3.350     | 2.560                  | 2.950                  | 41.929                 | —                      | 400                   | 39.961                 | 24             | M20x2.5                | 34.646                 | 24             | M20x2.5                |
| 16332001      | 54.740                        | 44.400                 | 4.500     | 3.750                  | 4.130                  | —                      | 46.380                 | 500                   | 53.000                 | 36             | 0.922                  | 48.000                 | 36             | 7/8-14                 |
| 16333001      | 78.819                        | 62.913                 | 5.906     | 4.921                  | 4.921                  | —                      | 65.157                 | 2,050                 | 76.575                 | 48             | 1.181                  | 67.520                 | 48             | 1.181                  |
| 16334001      | 114.000                       | 95.000                 | 6.000     | 5.500                  | 5.500                  | —                      | 97.500                 | 4,250                 | 111.000                | 48             | 1.063                  | 100.000                | 48             | 1-8                    |
| 16335001      | 121.496                       | 97.717                 | 6.772     | 6.299                  | 6.299                  | —                      | —                      | 6,080                 | 117.795                | 72             | 1.535                  | 105.512                | 72             | 1.535                  |
| 16336001      | 142.000                       | 123.200                | 6.000     | 5.500                  | 5.500                  | —                      | —                      | 5,370                 | 139.000                | 72             | 1.063                  | 128.000                | 72             | 1.063                  |

Note: Capacities are dynamic and based on an L10 life of 1 million revolutions per ABMA Std 11-1990. Values listed do not apply simultaneously. Ring cross section and bolted joint configuration used may result in lower bearing capacity ratings.

# XR Series

| GEAR DATA<br>$\alpha = 20^\circ$ |               |                 |       |       |               | GEAR TOOTH<br>RATING<br>$F_z$<br><br>(lbs) | DYNAMIC CAPACITIES<br>1 MILLION REVOLUTIONS L10 LIFE |                 |                    |
|----------------------------------|---------------|-----------------|-------|-------|---------------|--|--|-----------------|--------------------|
| TOOTH<br>FORM                    | $D_2$<br>(in) | $P_d$<br>or (m) | $z_2$ | $x_2$ | $b_2$<br>(in) |  | RADIAL<br>(lbs)                                      | THRUST<br>(lbs) | MOMENT<br>(ft-lbs) |
| FD                               | 19.000        | 6               | 114   | 0     | 2.000         | 6,345                                      | 64,620   | 73,810          | 65,430             |
| SD                               | 24.800        | 2.5             | 62    | 0     | 3.380         | 27,300                                     | 157,900  | 181,900         | 213,180            |
| FD                               | 30.800        | 2.5             | 77    | -.400 | 3.500         | 27,600                                     | 220,820  | 254,250         | 362,220            |
| FD                               | 31.102        | (10)            | 79    | -.625 | 2.950         | 22,820                                     | 125,790  | 142,740         | 211,160            |
| FD                               | 45.200        | 2.5             | 113   | 0     | 3.750         | 28,600                                     | 205,410  | 232,690         | 460,450            |
| FD                               | 63.307        | (12)            | 134   | -.500 | 4.528         | 40,350                                     | 406,070  | 459,660         | 1,315,740          |
| FD                               | 96.000        | 2               | 192   | 0     | 5.000         | 54,550                                     | 500,930  | 563,230         | 2,389,570          |
| FD                               | 98.268        | (24)            | 104   | -.708 | 6.299         | 134,270                                    | 755,820  | 854,030         | 3,797,780          |
| SD                               | 124.000       | 2               | 248   | 0     | 5.500         | 50,440                                     | 675,310  | 758,460         | 4,057,130          |

# XR Series



## EXTERNAL GEAR

| KAYDON<br>P/N | OUTLINE DIMENSIONS AND WEIGHT |                 |               |                 |                 |                 |                 |                           | HOLE DATA       |         |                 |                 |         |                 |
|---------------|-------------------------------|-----------------|---------------|-----------------|-----------------|-----------------|-----------------|---------------------------|-----------------|---------|-----------------|-----------------|---------|-----------------|
|               |                               |                 |               |                 |                 |                 |                 |                           | OUTER RING      |         |                 | INNER RING      |         |                 |
|               | \$D_o\$<br>(in)               | \$d_i\$<br>(in) | \$H\$<br>(in) | \$H_o\$<br>(in) | \$H_i\$<br>(in) | \$D_r\$<br>(in) | \$d_r\$<br>(in) | \$G\$<br>APPROX.<br>(lbs) | \$L_o\$<br>(in) | \$n_o\$ | \$B_o\$<br>(in) | \$L_i\$<br>(in) | \$n_i\$ | \$B_i\$<br>(in) |
| 16337001      | 16.000                        | 9.190           | 2.170         | 1.770           | 1.850           | 14.880          | 9.250           | 55                        | 14.094          | 24      | 0.562           | 10.197          | 24      | 0.562           |
| 16338001      | 23.333                        | 13.750          | 2.750         | 2.500           | 2.500           | —               | —               | 175                       | 20.875          | 12      | 0.688           | 15.375          | 12      | 0.688           |
| 16339001      | 27.362                        | 18.780          | 3.030         | 2.520           | 2.240           | 26.380          | 18.900          | 180                       | 25.197          | 18      | 0.688           | 20.000          | 18      | 0.688           |
| 16340001      | 33.627                        | 26.535          | 2.205         | 1.752           | 1.752           | —               | —               | 140                       | 30.906          | 36      | M12x1.75        | 27.480          | 40      | 0.551           |
| 16341001      | 36.333                        | 24.500          | 4.690         | 4.310           | 3.880           | 35.500          | 24.625          | 580                       | 33.625          | 24      | 0.813           | 26.125          | 24      | 0.813           |
| 16342001      | 45.050                        | 34.180          | 3.930         | 3.360           | 3.470           | 42.840          | 34.250          | 470                       | 41.338          | 24      | 0.866           | 35.826          | 24      | 0.866           |
| 16343001      | 51.040                        | 40.000          | 4.000         | 3.500           | 3.500           | —               | —               | 680                       | 48.200          | 36      | 0.813           | 41.800          | 36      | 0.813           |
| 16344001      | 63.150                        | 47.480          | 5.118         | 4.409           | 4.409           | 61.063          | 47.559          | 1,420                     | 58.819          | 36      | 1.023           | 50.394          | 36      | 1.023           |
| 16345001      | 70.510                        | 53.540          | 5.040         | 4.330           | 4.330           | —               | —               | 1,460                     | 65.354          | 42      | 1.063           | 55.906          | 42      | 1.063           |
| 16346001      | 85.866                        | 75.250          | 3.300         | 2.800           | 2.800           | —               | —               | 920                       | 82.750          | 48      | 0.813           | 77.250          | 48      | 0.813           |
| 16347001      | 100.667                       | 84.000          | 6.500         | 6.500           | 4.000           | 98.750          | 84.250          | 3,240                     | 95.000          | 48      | 1-8             | 87.000          | 48      | 1.063           |
| 16348001      | 159.843                       | 141.732         | 6.142         | 5.748           | 5.748           | —               | —               | 5,480                     | 154.528         | 100     | 1.299           | 144.685         | 100     | 1.299           |
| 16393001      | 209.843                       | 188.583         | 7.047         | 6.417           | 6.024           | 206.299         | 188.858         | 9,750                     | 202.362         | 100     | 1.299           | 191.339         | 100     | 1.299           |

Note: Capacities are dynamic and based on an L10 life of 1 million revolutions per ABMA Std 11-1990. Values listed do not apply simultaneously. Ring cross section and bolted joint configuration used may result in lower bearing capacity ratings.

# XR Series

| TOOTH FORM | GEAR DATA<br>$\alpha = 20^\circ$ |                 |       |        |               | GEAR TOOTH RATING<br>$F_z$<br>(lbs) | DYNAMIC CAPACITIES<br>1 MILLION REVOLUTIONS L10 LIFE |                 |                    |
|------------|----------------------------------|-----------------|-------|--------|---------------|-------------------------------------|--|-----------------|--------------------|
|            | $D_2$<br>(in)                    | $P_d$<br>or (m) | $z_2$ | $x_2$  | $b_2$<br>(in) |                                     | RADIAL<br>(lbs)                                      | THRUST<br>(lbs) | MOMENT<br>(ft-lbs) |
| FD         | 15.600                           | 5               | 78    | 0      | 1.460         | 4,320                               | 24,130   | 27,780          | 13,190             |
| FD         | 23.000                           | 6               | 138   | 0      | 2.500         | 7,430                               | 85,170   | 99,260          | 69,470             |
| FD         | 26.969                           | (5)             | 137   | 0      | 1.650         | 5,725                               | 64,560   | 73,730          | 65,660             |
| FD         | 33.071                           | (8)             | 105   | 0      | 1.752         | 9,130                               | 58,790   | 66,360          | 77,600             |
| FD         | 36.000                           | 6               | 216   | 0      | 4.000         | 12,700                              | 204,020  | 236,880         | 274,290            |
| FD         | 43.701                           | (10)            | 111   | +0.713 | 2.580         | 15,490                              | 128,480  | 145,650         | 223,060            |
| SD         | 50.400                           | 2.5             | 126   | 0      | 3.500         | 24,380                              | 195,710  | 222,290         | 396,330            |
| FD         | 61.811                           | (10)            | 157   | +0.750 | 3.346         | 20,640                              | 350,400  | 399,710         | 861,070            |
| FD         | 68.346                           | (14)            | 124   | +1.150 | 4.330         | 36,690                              | 293,690  | 332,590         | 801,340            |
| SD         | 85.333                           | 3               | 256   | 0      | 2.800         | 18,280                              | 190,740  | 213,890         | 686,710            |
| FD         | 100.000                          | 3               | 300   | 0      | 6.000         | 32,030                              | 376,230  | 422,960         | 1,557,670          |
| FD         | 158.110                          | (16)            | 251   | +0.500 | 5.748         | 67,650                              | 724,030  | 812,320         | 4,874,640          |
| FD         | 206.929                          | (18)            | 292   | +1.150 | 6.102         | 81,360                              | 1,005,010  | 1,126,290       | 8,903,140          |





Section 4 – Bearing Table & Ratings



# TR Series

The TR Series consists of three-row roller bearings which offer the highest capacity for a given diameter. When an XR or DT Series bearing doesn't meet the stiffness and capacity requirements, consider the TR Series.

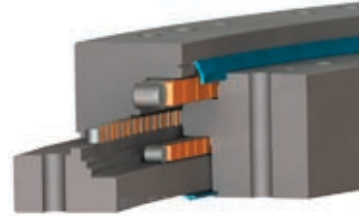
## Design Features

The bearing has three independent rows of rollers oriented normal to the direction of loads being transmitted through the bearing. Their orientation is selected to optimize capacity, provide low frictional resistance and minimize deflection.

The top and bottom rows of rollers transmit any opposing thrust loads and combine to transmit any moment loading, while the middle row transmits any radial loads. The rollers, the separator configuration used for each and the mating raceways are sized to meet load or other application requirements.

In order to obtain these performance benefits, the supporting structures must satisfy higher stiffness and lower flatness requirements than those for similar sized XT or DT Series bearings.

Gear teeth or other drive mechanisms can be provided on the inner or outer support ring, and the choice of hole pattern can be added for bearing retention.



## Availability

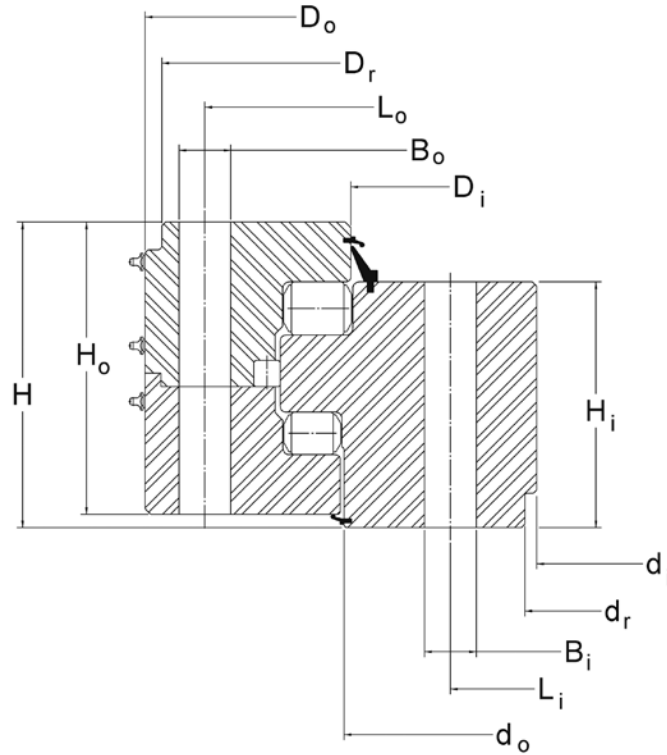
TR Series bearings are custom manufactured to fit the design and specification.

## Applications

TR Series bearings have been used successfully in heavy duty applications requiring extra stiffness and capacity including:

- Radar
- Cranes
- Excavators
- Stackers and reclaimers
- Heavy mill equipment

# TR Series



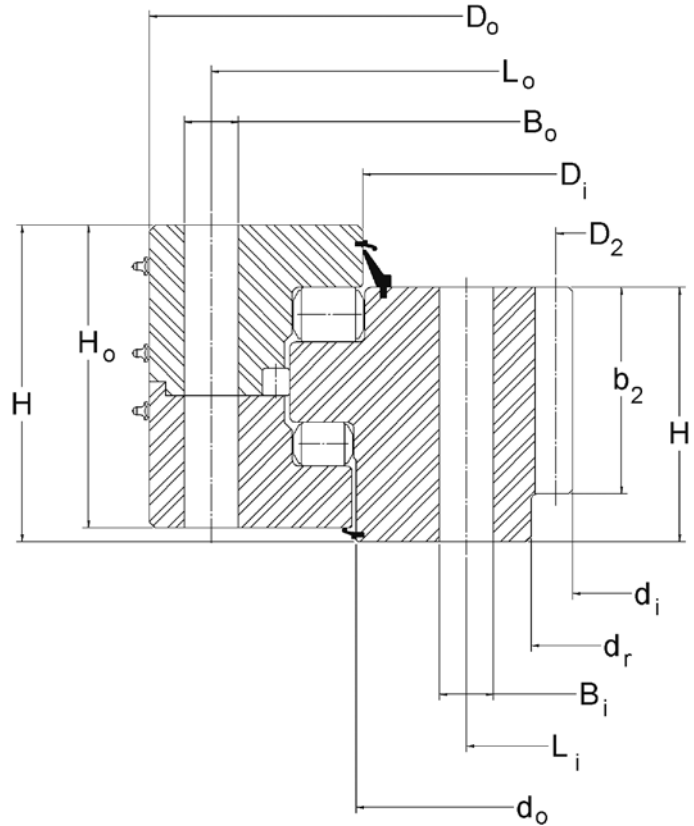
## NO GEAR

| KAYDON<br>P/N | OUTLINE DIMENSIONS AND WEIGHT |               |           |               |               |               |               |               |               |                       |
|---------------|-------------------------------|---------------|-----------|---------------|---------------|---------------|---------------|---------------|---------------|-----------------------|
|               | $D_o$<br>(in)                 | $d_i$<br>(in) | H<br>(in) | $H_o$<br>(in) | $H_i$<br>(in) | $D_r$<br>(in) | $D_i$<br>(in) | $d_o$<br>(in) | $d_r$<br>(in) | G<br>APPROX.<br>(lbs) |
| 16349001      | 48.560                        | 33.000        | 7.300     | 6.880         | 6.380         | 48.500        | 39.310        | 39.710        | 33.120        | 1,700                 |
| 16350001      | 56.890                        | 41.535        | 8.661     | 8.150         | 6.772         | —             | 47.215        | 47.563        | —             | 2,450                 |
| 16351001      | 77.250                        | 59.880        | 7.550     | 7.000         | 7.120         | 77.125        | 69.410        | 70.420        | 60.000        | 3,400                 |
| 16352001      | 93.000                        | 72.500        | 9.050     | 8.630         | 8.620         | —             | 80.960        | 81.410        | —             | 5,630                 |
| 16353001      | 118.583                       | 97.638        | 7.677     | 7.283         | 6.102         | —             | 107.087       | 107.402       | —             | 6,280                 |
| 16354001      | 122.480                       | 107.638       | 5.945     | 5.472         | 4.646         | —             | 113.780       | 113.976       | —             | 3,500                 |
| 16356001      | 158.000                       | 136.500       | 9.000     | 8.500         | 7.250         | —             | 146.280       | 146.080       | —             | 10,100                |
| 16387001      | 207.480                       | 187.795       | 8.819     | 8.425         | 8.425         | —             | 198.622       | 199.055       | —             | 13,200                |
| 16366001      | 236.220                       | 210.236       | 12.205    | 9.842         | 11.811        | —             | 225.433       | 224.409       | —             | 25,800                |

# TR Series

| HOLE DATA     |       |               |               |       |               | GEAR DATA           |               |                 |       |       |               |   | GEAR TOOTH RATING<br>$F_z$<br>(lbs) | BEARING MOMENT RATING<br>$C_{rm}$<br>(ft-lbs) |
|---------------|-------|---------------|---------------|-------|---------------|---------------------|---------------|-----------------|-------|-------|---------------|---|-------------------------------------|---|
| OUTER RING    |       |               | INNER RING    |       |               | $\alpha = 20^\circ$ |               |                 |       |       |               |   |                                     |   |
| $L_o$<br>(in) | $n_o$ | $B_o$<br>(in) | $L_i$<br>(in) | $n_i$ | $B_i$<br>(in) | TOOTH FORM          | $D_2$<br>(in) | $P_d$<br>or (m) | $z_2$ | $x_2$ | $b_2$<br>(in) |   |                                     |   |
| 46.000        | 32    | 1.313         | 36.000        | 32    | 1 1/4-7       | —                   | —             | —               | —     | —     | —             | — | 1,104,700                           |   |
| 54.843        | 48    | 1.024         | 43.583        | 48    | 1.024         | —                   | —             | —               | —     | —     | —             | — | 1,275,900                           |   |
| 74.500        | 44    | 1.250         | 62.500        | 44    | 1.250         | —                   | —             | —               | —     | —     | —             | — | 2,332,400                           |   |
| 89.500        | 60    | 1.625         | 76.000        | 60    | 1.625         | —                   | —             | —               | —     | —     | —             | — | 6,404,300                           |   |
| 115.039       | 72    | 1.535         | 101.181       | 72    | 1.535         | —                   | —             | —               | —     | —     | —             | — | 7,936,000                           |   |
| 119.882       | 66    | 1.299         | 110.236       | 66    | 1.299         | —                   | —             | —               | —     | —     | —             | — | 6,653,000                           |   |
| 154.000       | 100   | 1.563         | 140.500       | 100   | 1.563         | —                   | —             | —               | —     | —     | —             | — | 20,124,000                          |   |
| 202.756       | 120   | 1.535         | 190.945       | 120   | 1.535         | —                   | —             | —               | —     | —     | —             | — | 32,339,000                          |   |
| 231.102       | 120   | 1.772         | 215.354       | 120   | 1.772         | —                   | —             | —               | —     | —     | —             | — | 49,976,000                          |   |

# TR Series



## INTERNAL GEAR

| KAYDON<br>P/N | OUTLINE DIMENSIONS AND WEIGHT |               |           |               |               |                 |               |               |               |                       |
|---------------|-------------------------------|---------------|-----------|---------------|---------------|-----------------|---------------|---------------|---------------|-----------------------|
|               | $D_o$<br>(in)                 | $d_i$<br>(in) | H<br>(in) | $H_o$<br>(in) | $H_i$<br>(in) | $D_r^*$<br>(in) | $D_i$<br>(in) | $d_o$<br>(in) | $d_r$<br>(in) | G<br>APPROX.<br>(lbs) |
| 16376001      | 54.530                        | 41.760        | 4.720     | 4.410         | 3.700         | —               | 48.150        | 48.390        | 43.380        | 950                   |
| 16377001      | 64.173                        | 46.850        | 7.874     | 7.283         | 6.299         | —               | 54.803        | 54.567        | —             | 2,650                 |
| 16378001      | 70.500                        | 50.200        | 8.620     | 8.120         | 6.750         | —               | 59.800        | 60.220        | 52.250        | 3,550                 |
| 16379001      | 87.244                        | 68.032        | 6.969     | 6.772         | 5.315         | —               | 77.764        | 78.112        | 71.102        | 3,460                 |
| 16380001      | 108.189                       | 85.433        | 8.504     | 8.150         | 6.850         | —               | 97.126        | 96.339        | 88.150        | 6,000                 |
| 16381001      | 120.866                       | 97.008        | 13.701    | 10.157        | 11.732        | —               | 108.740       | 109.291       | 97.008        | 10,820                |
| 16382001      | 125.620                       | 106.333       | 8.380     | 6.810         | 6.880         | —               | 115.280       | 115.630       | —             | 5,800                 |
| 16383001      | 155.512                       | 131.339       | 9.055     | 8.661         | 7.284         | —               | 143.307       | 143.701       | 133.701       | 10,550                |
| 16384001      | 187.402                       | 162.992       | 9.252     | 8.858         | 7.480         | —               | 175.158       | 175.591       | —             | 14,200                |
| 16385001      | 228.000                       | 198.000       | 11.750    | 11.250        | 9.250         | —               | 213.630       | 214.130       | 203.000       | 24,950                |

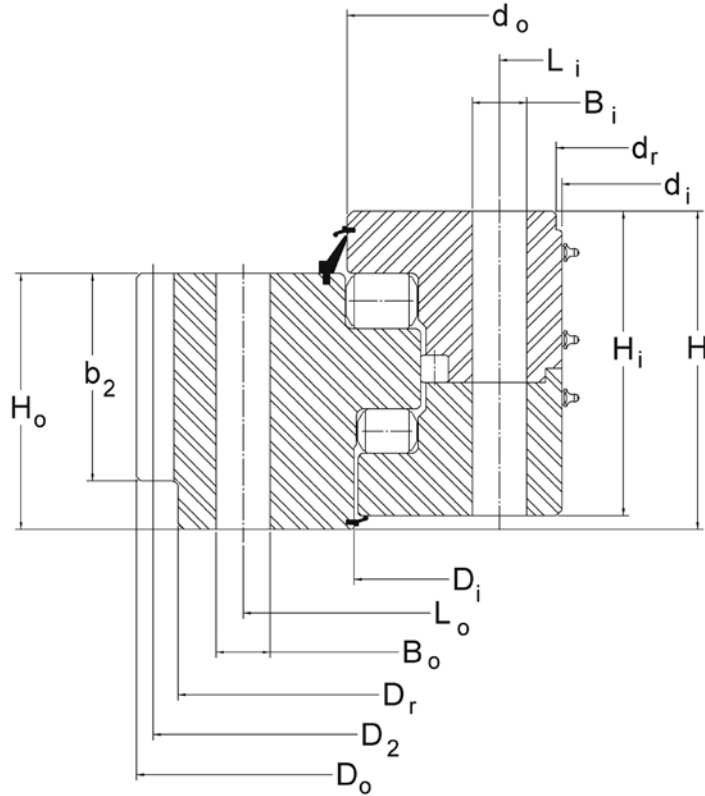
\*No external diameters for this type.

# TR Series

| HOLE DATA     |       |               |               |       |               | GEAR DATA           |               |                 |       |       |               | GEAR TOOTH RATING<br>$F_z$<br>(lbs) | BEARING MOMENT RATING<br>$C_{rm}$<br>(ft-lbs) |
|---------------|-------|---------------|---------------|-------|---------------|---------------------|---------------|-----------------|-------|-------|---------------|-------------------------------------|---|
| OUTER RING    |       |               | INNER RING    |       |               | $\alpha = 20^\circ$ |               |                 |       |       |               |                                     |   |
| $L_o$<br>(in) | $n_o$ | $B_o$<br>(in) | $L_i$<br>(in) | $n_i$ | $B_i$<br>(in) | TOOTH FORM          | $D_2$<br>(in) | $P_d$<br>or (m) | $z_2$ | $x_2$ | $b_2$<br>(in) |                                     |   |
| 52.953        | 36    | 1.024         | 45.079        | 36    | 1.024         | SD                  | 42.400        | 2.5             | 106   | 0     | 3.390         | 28,250                              | 896,700                                       |
| 61.811        | 48    | 1.024         | 50.551        | 48    | 1.024         | FD                  | 46.850        | (10)            | 119   | -0.75 | 6.299         | 55,480                              | 1,479,900                                     |
| 67.625        | 48    | 1 1/2-6       | 55.000        | 48    | 1.563         | SD                  | 51.000        | 2               | 102   | 0     | 5.000         | 56,440                              | 3,514,400                                     |
| 84.646        | 60    | 1.299         | 73.819        | 60    | 1.299         | FD                  | 68.661        | (16)            | 109   | -0.5  | 4.252         | 60,240                              | 4,250,900                                     |
| 104.646       | 80    | 1.772         | 91.890        | 80    | 1.772         | FD                  | 85.984        | (14)            | 156   | -0.5  | 4.724         | 57,210                              | 9,038,400                                     |
| 117.717       | 72    | 1.535         | 104.724       | 72    | 1.535         | FD                  | 97.874        | (22)            | 113   | -0.5  | 8.000         | 143,850                             | 10,642,000                                    |
| 122.812       | 72    | 1.563         | 112.250       | 72    | 1 1/2-6       | FD                  | 107.333       | 1.5             | 161   | -0.25 | 6.880         | 93,140                              | 9,275,100                                     |
| 151.969       | 96    | 1.535         | 137.402       | 96    | 1.535         | FD                  | 132.284       | (12)            | 280   | 0     | 5.906         | 59,840                              | 18,616,000                                    |
| 183.858       | 90    | 1.535         | 169.882       | 90    | 1.535         | FD                  | 164.567       | (20)            | 209   | 0     | 7.480         | 128,000                             | 28,772,000                                    |
| 224.000       | 150   | 1.563         | 207.000       | 150   | 1.563         | FD                  | 200.000       | 1               | 200   | 0     | 6.000         | 130,700                             | 43,823,000                                    |



# TR Series



## EXTERNAL GEAR

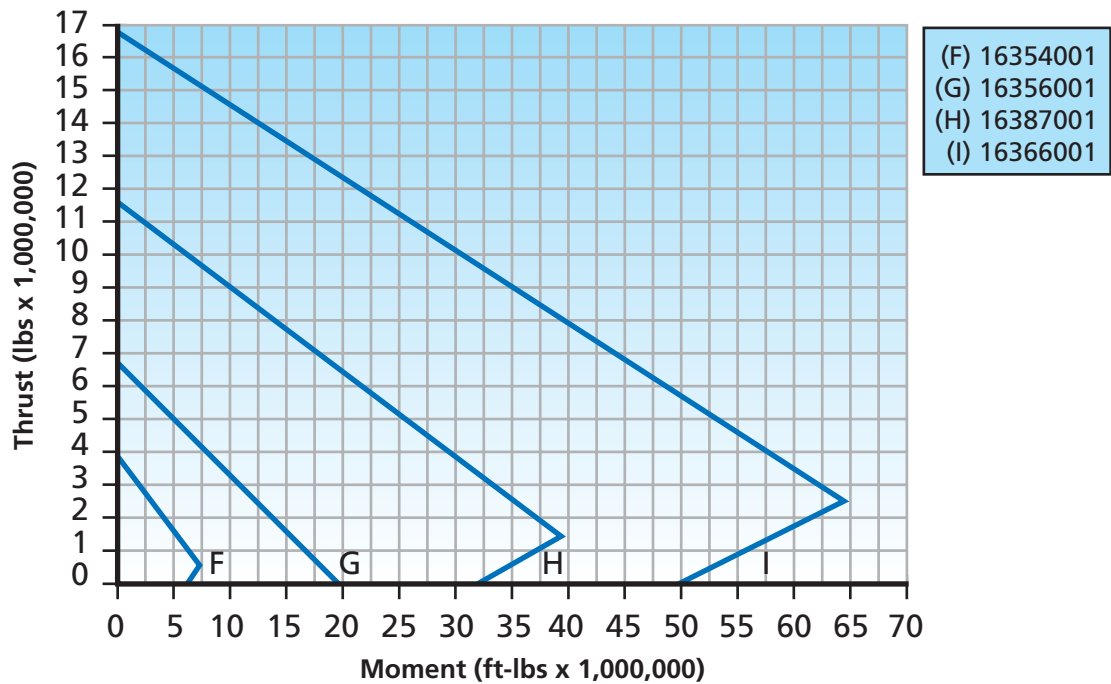
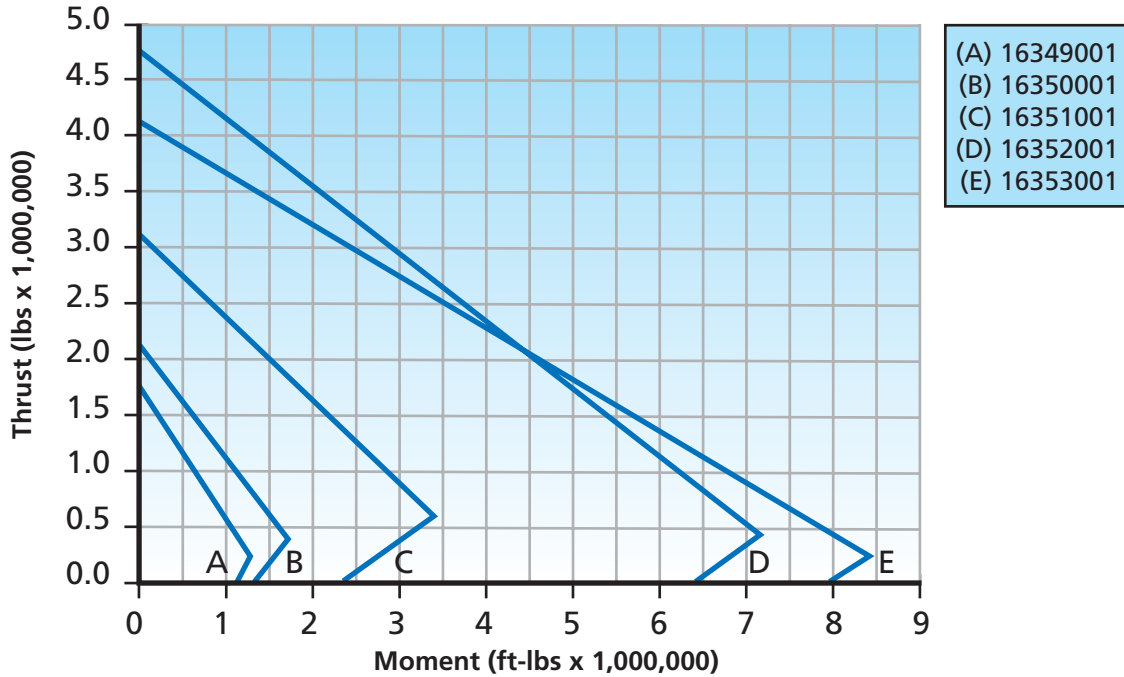
| KAYDON<br>P/N | OUTLINE DIMENSIONS AND WEIGHT |                        |           |                        |                        |                        |                        |                        |                        |                       |
|---------------|-------------------------------|------------------------|-----------|------------------------|------------------------|------------------------|------------------------|------------------------|------------------------|-----------------------|
|               | D <sub>o</sub><br>(in)        | d <sub>i</sub><br>(in) | H<br>(in) | H <sub>o</sub><br>(in) | H <sub>i</sub><br>(in) | D <sub>r</sub><br>(in) | D <sub>i</sub><br>(in) | d <sub>o</sub><br>(in) | d <sub>r</sub><br>(in) | G<br>APPROX.<br>(lbs) |
| 16367001      | 57.100                        | 42.500                 | 5.000     | 4.500                  | 4.500                  | 53.750                 | 48.850                 | 49.090                 | 42.630                 | 1,250                 |
| 16368001      | 71.338                        | 57.000                 | 5.850     | 4.790                  | 4.630                  | 69.040                 | 63.760                 | 64.030                 | 57.080                 | 1,600                 |
| 16369001      | 97.795                        | 76.850                 | 7.126     | 5.472                  | 6.772                  | —                      | 86.614                 | 87.047                 | —                      | 4,400                 |
| 16370001      | 115.800                       | 90.500                 | 10.750    | 8.500                  | 10.250                 | —                      | 104.240                | 104.040                | —                      | 10,000                |
| 16371001      | 152.756                       | 129.921                | 10.039    | 8.071                  | 9.646                  | —                      | 141.535                | 141.339                | —                      | 11,130                |
| 16372001      | 170.079                       | 144.882                | 9.941     | 7.638                  | 9.449                  | —                      | 156.729                | 157.155                | —                      | 13,830                |
| 16373001      | 210.968                       | 187.795                | 8.819     | 8.425                  | 8.425                  | 207.480                | 198.622                | 199.055                | —                      | 14,330                |
| 16388001      | 233.000                       | 203.000                | 11.750    | 9.250                  | 11.250                 | 228.000                | 216.880                | 217.380                | —                      | 25,500                |

Section 4 – Bearing Table & Ratings


# TR Series

|  | HOLE DATA     |       |               |               |       |               | GEAR DATA           |               |                 |       |       |               | GEAR TOOTH RATING<br>$F_z$<br>(lbs) | BEARING MOMENT RATING<br>$C_{rm}$<br>(ft-lbs) |
|--|---------------|-------|---------------|---------------|-------|---------------|---------------------|---------------|-----------------|-------|-------|---------------|-------------------------------------|---|
|  | OUTER RING    |       |               | INNER RING    |       |               | $\alpha = 20^\circ$ |               |                 |       |       |               |                                     |   |
|  | $L_o$<br>(in) | $n_o$ | $B_o$<br>(in) | $L_i$<br>(in) | $n_i$ | $B_i$<br>(in) | TOOTH FORM          | $D_2$<br>(in) | $P_d$<br>or (m) | $z_2$ | $x_2$ | $b_2$<br>(in) |                                     |   |
|  | 52.000        | 40    | 1.094         | 44.375        | 40    | 1.094         | FD                  | 56.000        | 1.5             | 84    | -.18  | 4.000         | 46,750                              | 829,300                                       |
|  | 66.889        | 60    | 1.024         | 59.252        | 60    | 1.024         | FD                  | 69.921        | (12)            | 148   | +.50  | 3.430         | 27,510                              | 1,329,900                                     |
|  | 91.535        | 40    | 1.535         | 79.921        | 40    | 1.535         | FD                  | 96.378        | (18)            | 136   | 0     | 5.472         | 70,630                              | 4,129,500                                     |
|  | 109.750       | 96    | 1 1/2-6       | 94.500        | 96    | 1 1/2-6       | SD                  | 115.000       | 2               | 230   | 0     | 8.500         | 89,510                              | 12,091,000                                    |
|  | 145.669       | 90    | 1.299         | 133.465       | 90    | 1.299         | FD                  | 150.394       | (20)            | 191   | +.50  | 8.071         | 117,500                             | 11,652,000                                    |
|  | 162.992       | 120   | 1.535         | 148.425       | 120   | 1.535         | FD                  | 168.504       | (20)            | 214   | 0     | 7.638         | 111,600                             | 24,086,000                                    |
|  | 202.756       | 120   | 1.535         | 190.945       | 120   | 1.535         | FD                  | 208.346       | (18)            | 294   | +.85  | 5.906         | 78,770                              | 32,339,000                                    |
|  | 224.000       | 150   | 1.563         | 207.000       | 150   | 1.563         | FD                  | 230.000       | 1               | 230   | +.50  | 7.000         | 130,300                             | 43,823,000                                    |

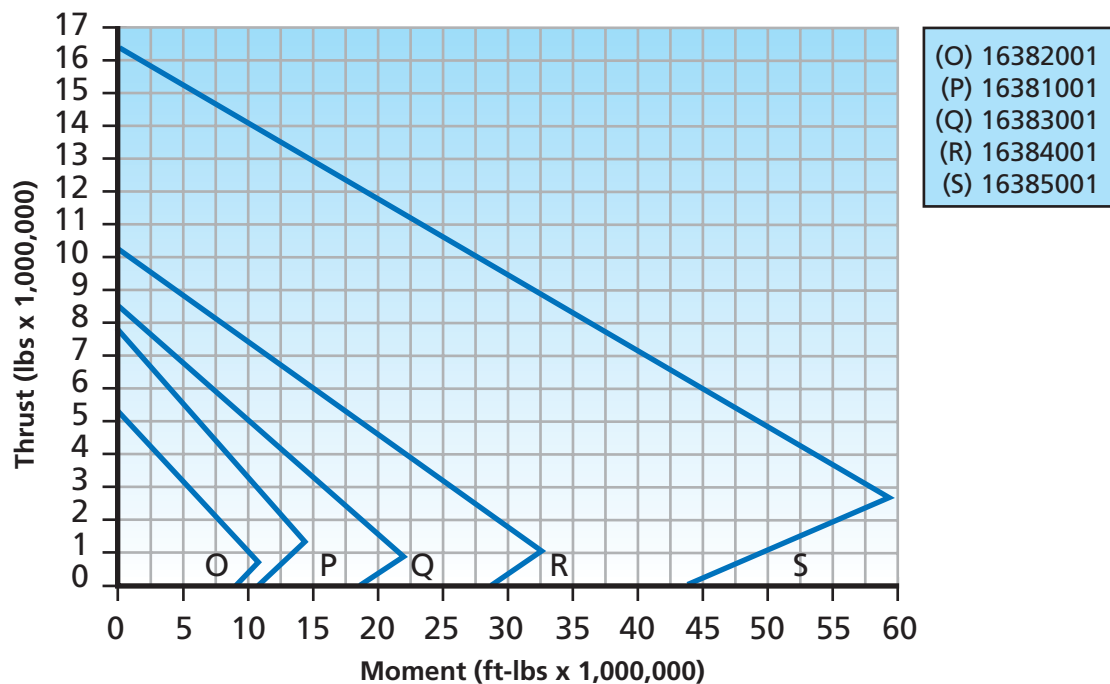
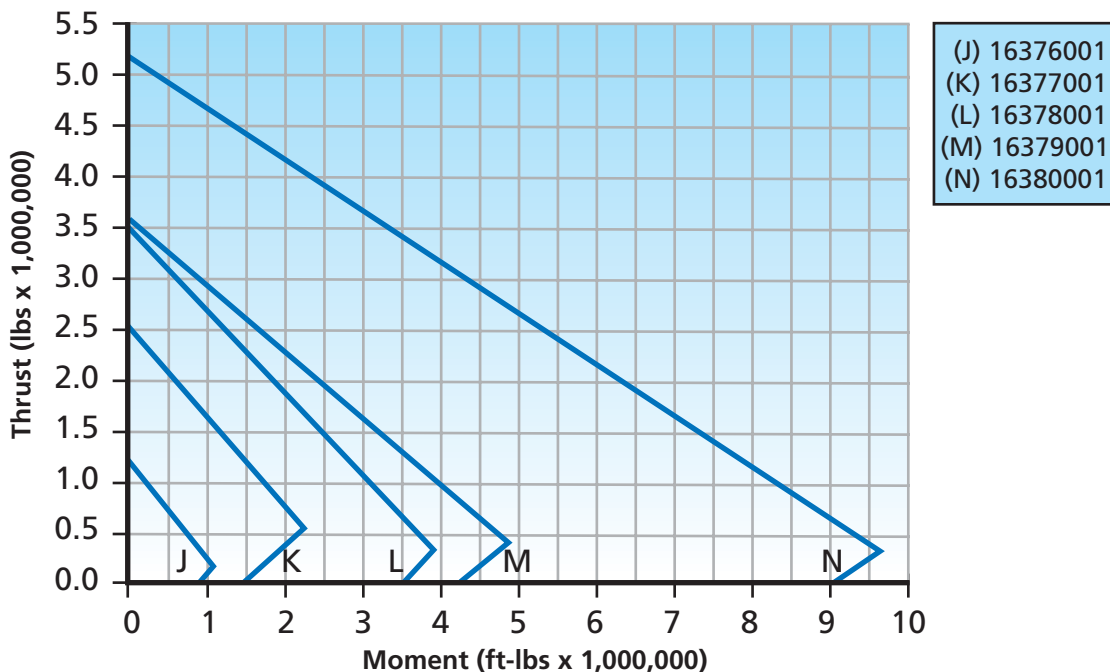
# TR Series Load Charts – No Gear



Section 4 – Bearing Table & Ratings

 Rating Charts are only applicable for operating conditions defined as NORMAL OPERATION in Section 2 and when installed and maintained as defined in Section 3 of this catalog. Bearing diameter increase does not necessarily ensure bearing rating increase due to variations in rolling elements, ring section, and fastener complements. For information concerning the basis for development of Rating Charts refer to the LOAD RATING paragraph in Section 2.

# TR Series Load Charts – Internal Gear

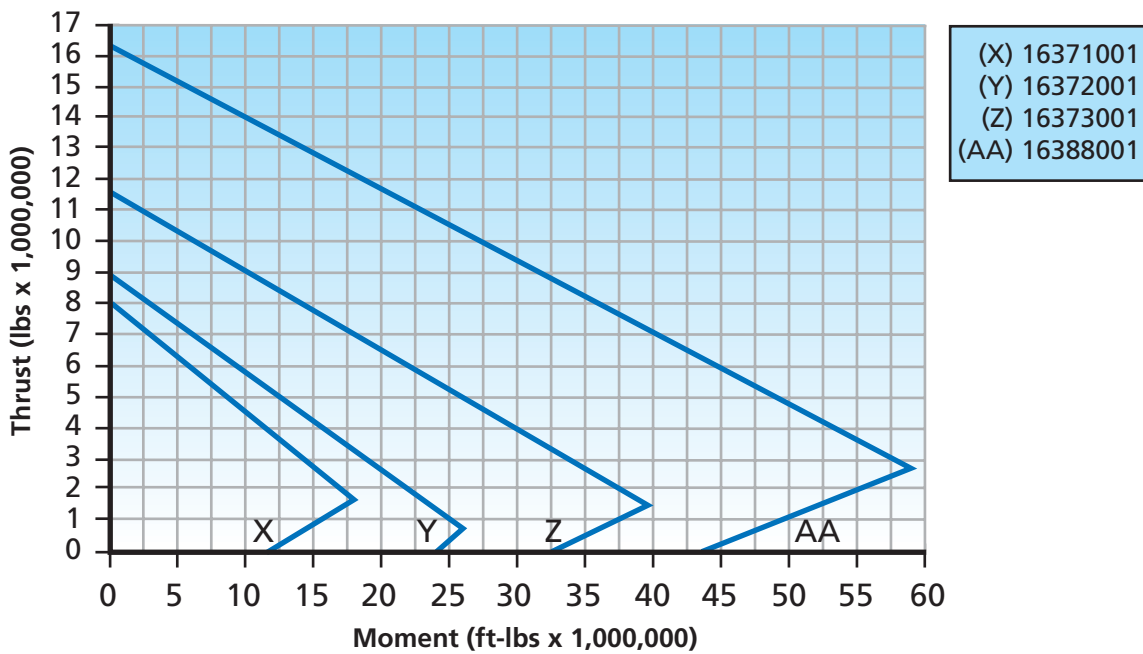
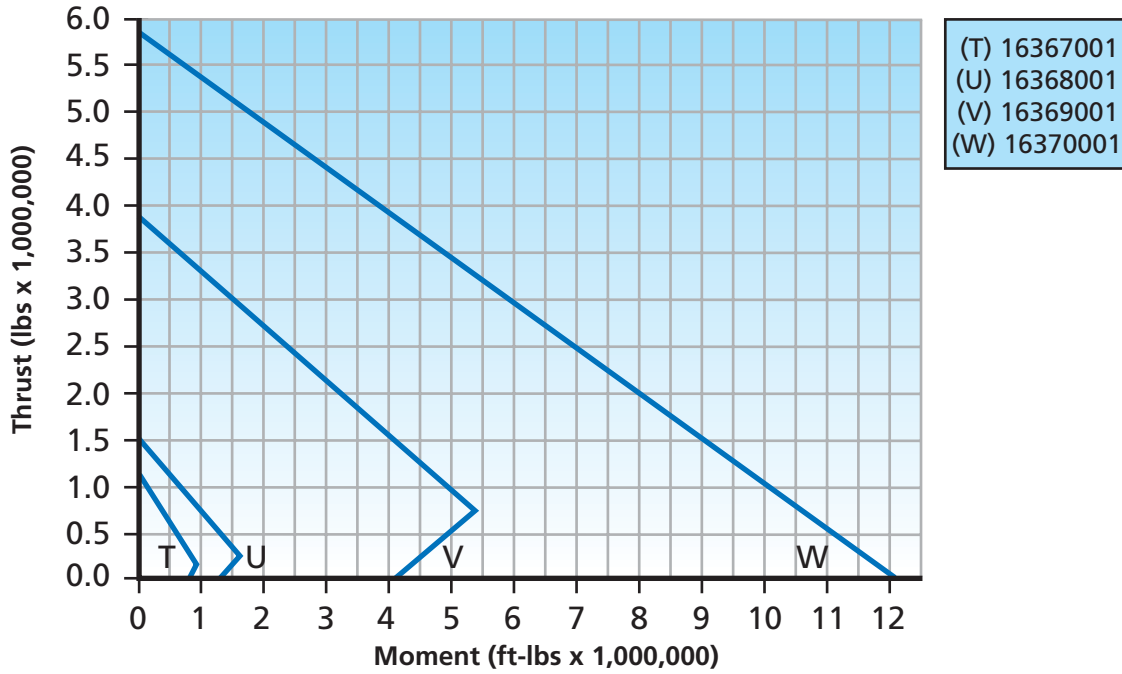


Section 4 – Bearing Table & Ratings




Rating Charts are only applicable for operating conditions defined as NORMAL OPERATION in Section 2 and when installed and maintained as defined in Section 3 of this catalog. Bearing diameter increase does not necessarily ensure bearing rating increase due to variations in rolling elements, ring section, and fastener complements. For information concerning the basis for development of Rating Charts refer to the LOAD RATING paragraph in Section 2.

# TR Series Load Charts – External Gear



Section 4 – Bearing Table & Ratings

 Rating Charts are only applicable for operating conditions defined as NORMAL OPERATION in Section 2 and when installed and maintained as defined in Section 3 of this catalog. Bearing diameter increase does not necessarily ensure bearing rating increase due to variations in rolling elements, ring section, and fastener complements. For information concerning the basis for development of Rating Charts refer to the LOAD RATING paragraph in Section 2.



# Section 5 Contents

## Specialty Products & Services

- **WireX® Wire-Race Bearings ..... pg. 115**
- **Custom Bearings..... pgs. 116-117**
- **Remanufacturing Program ..... pgs. 118-119**
- **ENDURAKOTE® Plating ..... pgs. 120-121**



# Custom WireX® Wire-Race Bearings

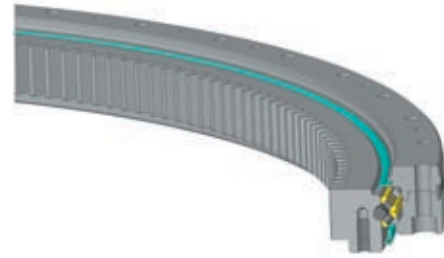
Kaydon WireX® bearings were originally designed for military turret applications, where space and weight are at a premium and corrosion resistance is essential. They consist of wire raceways inserted in lightweight support rings, allowing for a high load capacity and large diameter in a bearing that can be 60% lighter than one made entirely of steel.

## Design Features

The bearing's support rings are typically aluminum, with contoured grooves for supporting, positioning, and alignment of steel wire raceways. The rolling elements are typically stainless steel, with up to three rows of rollers to fit individual requirements. This internal configuration allows WireX® bearings to be more tolerant of non-rigid and out-of-flat mounting structures. Irregularities can be accommodated by the relative movement of the wire inserts in their supporting grooves.

Gear teeth or other drive mechanisms can be provided on the inner or outer support ring, and a variety of hole patterns can be added for bearing retention.

WireX® bearings can often be rebuilt – a substantial savings when compared to complete bearing replacement.



## Availability

WireX® bearings are custom manufactured to fit your design and specification.

## Applications

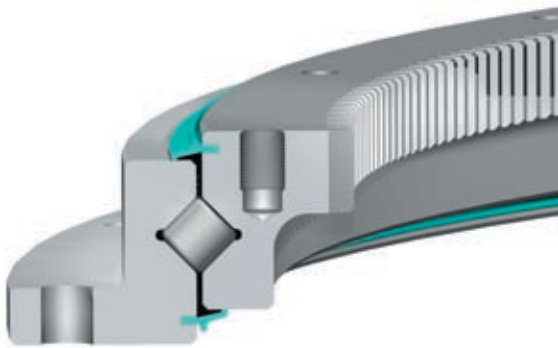
WireX® bearings have been used successfully in applications requiring a lightweight, corrosion-resistant bearing including:

- Turrets
- Radar
- Sonar

# Custom Bearing Capabilities

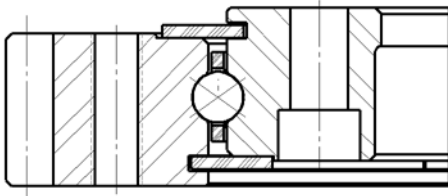
In addition to the more standard bearings shown on earlier pages, KAYDON® has extensive experience in the design and manufacture of customized or special bearings and assemblies. This experience allows us to match the product to the requirements.

The ball and roller bearings shown below are only a sampling of our custom capabilities, provided to further inspire your creativity to find the optimum solution.



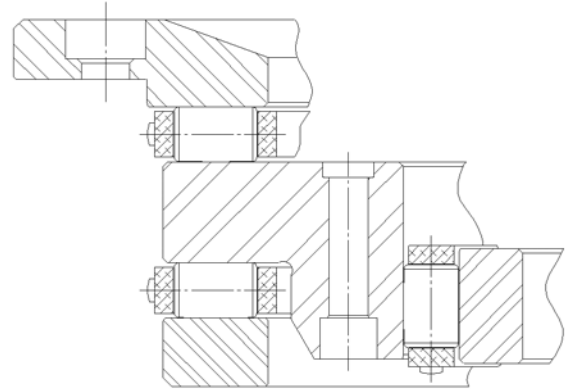
**Figure 5-1**

A thin-sectioned cross roller bearing combines the features of higher stiffness, increased dynamic capacity, and lower turning torque with weight and space savings. Rollers may be oriented as needed to maximum load carrying ability and fatigue life. Designs with similar configurations and features range from 15 inches to over 90 inches.



**Figure 5-2**

A thin-sectioned large diameter bearing with external gear made from special stainless steel rings, plastic rolling elements, and separator for low permeability and to limit out-gassing. Use of plastic rolling elements also permits operation without lubrication. Similar designs and components have been produced for sizes up to 70 inches.



**Figure 5-3**

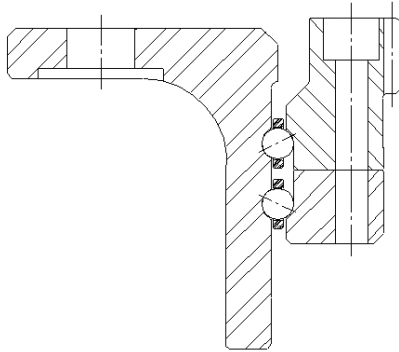
A complex three-row roller bearing with minimal raceway material provides the customer with light weight and space saving opportunities. The thin sections and unusual configurations permit compact overall design. Three separate rows of rollers permit use in applications with simultaneous as well as reversing radial, axial, and moment loads. Roller complement and raceways may be oriented and designed to optimize capacity and fatigue life as well as stiffness. Designs with similar features have exceeded 90”.



**Figure 5-4**

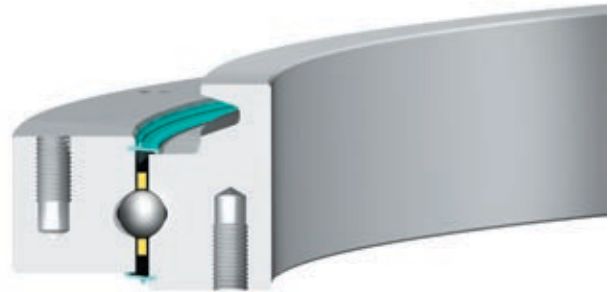
A three ring, two-rolling complement bearing with two integral gears, one on the inner and one on the outer ring is shown. This configuration when combined with precision components permits accurate, smooth, independent, and synchronized rotation of the rings and any attached components. Use of a separator increases the bearing’s operating speed capability and, combined with low friction seals, permits minimal rotational resistance. The total package significantly reduces the number of components needed to perform the same functions as this design currently does.

## Custom Bearing Capabilities (continued)



**Figure 5-5**

This flange mounted, thin-sectioned large diameter bearing is light weight, requires minimal space, and fits around existing components. The flanges are scalloped between holes to provide greater weight reduction. The use of double row angular contact rolling complement with separators provides minimal rotational resistance and can be used for high accelerating conditions as well as very high continuous operating speeds. The high precision gear on the inner ring provides for accurate positioning.



**Figure 5-6**

A four-point ball bearing with integrated v-belt groove in one ring permits a simple mechanical drive option at low cost with no lubrication and minimal maintenance.

Belt drive designs, flat or tooth, are potential alternative solutions depending on application conditions. Use of a separator increases the bearing's operating speed capability and, combined with low friction seals, permits minimal rotational resistance.

# Remanufacturing Program

Kaydon offers a bearing repair program that is designed to provide the best service options available – no matter the brand or size of bearing. Bearings are assessed for remanufacture from 10 inches to 240 inches in outside diameter (OD).

In this program optimized solutions are provided through our experienced sales team, international presence, and process capability. The process begins with the service engineering team partnering with the customer's maintenance or service groups to analyze the bearing.

## Bearing Failure Warning Signs

Perhaps the most difficult task is determining if and when a bearing needs to be serviced. This determination requires much more than a quick visual inspection. Below are a few signs to look for when inspecting bearings that may need to be repaired:

- The bearing is nearing its suggested life expectancy.
- The bearing has exceeded an operating temperature of 200° F (93° C).
- The bearing has been exposed to excessive vibration.
- The bearing experienced a sudden drop or gain in lubrication.
- The bearing has a missing or torn seal.
- The bearing exhibits excessive rotational resistance.
- The structure has excessive movement or rocking during operation.
- The mating structure and hardware is damaged, e.g. cracked, broken, distorted, or even missing.
- The bearing exhibits limited rotation, uncharacteristic vibrations, or noise.

Paying attention to these details during regular maintenance checks can help you determine whether a bearing needs maintenance before it causes unnecessary downtime and expense. Careful observation is the first step in creating a program that monitors your bearings and surrounding operations.



**WARNING: Proper maintenance and handling practices are critical. Failure to follow installation, maintenance, and operating instructions can result in equipment failure, creating a risk of bodily**

## injury or death.

To provide the correct repair solution to the damaged bearing, the cause and extent of the damage must be understood. Environmental issues, such as ingress of contamination and water into the bearing, are the common causes of premature bearing failure. Following are typical causes of damage found on bearings and precautions that can be taken to prolong life.

- **Improper Handling:**

Cage deformation and nicks or gouges can result from improper installation, handling or removal.

Precautions: Use proper handling practices along with the correct handling, mounting and disassembly tools.

- **Inadequate Lubrication:**

Scoring of components or severe bearing deformation can result from inadequate or incorrect lubrication.

Precautions: Inspect and replace the lubricant at the manufacturer's recommended interval or as needed, whichever occurs first. If necessary, change or improve lubricant.

- **Corrosion and Etching:**

Exposure to moisture can lead to etching, pitting, then rusting of bearing components. Spalling may result from bearings that operate after such damage.

Precautions: Check seals regularly, ensure proper sealing and store bearings properly.

- **Electric Current:**

Passage of electric current while a bearing is rotating may cause fluting or grooving. Improper electric grounding while a bearing is stationary can create small burns.

Precautions: Shunt the current around the bearing with the proper earth connection before welding.

- **Foreign Material:**

Abrasions, bruising and grooving can result from abrasive particle contamination and debris.

Precautions: Remove the debris, change the lubricant, and check/replace the seals.

# Remanufacturing Program

- **Misalignment:**

Geometric stress concentration and spalling can result from misalignment, deflections or heavy loading.

Precautions: Machine the bearing seats and shoulders accurately. Check accuracy of shaft and housing seats, ensure proper shaft/housing alignment and confirm or reduce operating forces.

- **Overloading:**

Improper use for the intended application can lead to overload conditions accelerating wear.

Precautions: Utilize the equipment for the intended application within the load limits defined.

## Kaydon Service Options

The initial analysis covers the cleaning, verification of internal clearances, disassembly, and inspection of the bearing assembly. The engineering team then assesses the damage and provides a quotation based on the most appropriate remanufacturing type to restore the bearing to full operation. The three repair classifications are:

### Class A Repair

To ensure correct geometry and alignment, bearing assemblies require machining of rolling element pathways and the surfaces that interface with the mounting structure for correct installation. Oversize rolling elements are used to restore the desired internal clearance or preload and new spacers and seals are fitted.

### Class B Repair

Bearing assemblies require polishing or other surface alterations to relieve stressed or corroded areas on the raceway or mounting surfaces. The bearing is re-assembled with new rolling elements, spacers, and seals as required.

### Class R Repair

Bearing assemblies require a completely new bearing ring to match an existing repairable ring. The existing raceway is machined to give correct geometry and the new ring and raceway are manufactured to match the repaired component. New rolling elements, spacers, and seals complete the refurbishment.

## Taking the Next Step

1. Contact the Kaydon Regional Sales Manager or Customer Service Representative for a customized solution or visit [www.kaydonbearings.com](http://www.kaydonbearings.com).
2. The Kaydon representative will work to assess the bearing repair needs.
3. Kaydon will physically assess the bearing's condition and provide a quotation.
4. When the repair is authorized, the plant will perform all necessary repairs and return the bearing within the promised lead time. If it is decided not to proceed with the repair, the damaged bearing will be disposed of or returned.

# ENDURAKOTE® Plating for Corrosion-Resistant Bearings

## Introduction

ENDURAKOTE® plating protects bearings from corrosion and provides substantial life improvements in hostile environments. ENDURAKOTE® plating is applied over conventional bearing materials and offers the benefit of corrosion resistance normally found only in stainless steel bearings. The coating is applied to each entire bearing race ring, including the paths, thus leaving no area exposed. Other commercial chrome or cadmium coatings normally accepted and used cannot be applied to the path due to the rolling contact stresses. ENDURAKOTE® plating is hard chromium, electrodeposited by a proprietary process which achieves a true molecular bond, and will not flake or peel even under the high contact stresses experienced in the bearing paths.

Laboratory and field testing results have proven the benefits of this process. Severe salt spray testing has shown that bearings with ENDURAKOTE® plating withstand corrosion as well as or better than AISI 440C stainless steel. The hard, dense exterior surface formed by the coating is extremely wear resistant and is excellent in the retention of the lubricant film. Conventional life testing of bearings with ENDURAKOTE® plating has shown that no life derating is necessary. In fact, the extremely hard surface of ENDURAKOTE® plating protects the bearing from surface generated damage which can promote premature failure. Since the coating is capable of withstanding extremely high temperatures, the bearings are limited by the bearing materials or lubricant used.

The coating used for ENDURAKOTE® plating can be applied to any type of bearing and to most bearing materials. Its primary advantage is to utilize stock materials with their economies, and convert them to wear- and corrosion-resistant bearings. This is particularly beneficial for larger diameter bearings or where quick delivery is critical. Thus, cost savings can be achieved over more exotic or specialized materials. Also, stock bearings can have ENDURAKOTE® plating applied for quick delivery.

The net result is that we can offer bearings with the capacity of conventional bearing steels and the corrosion resistance of AISI 440C stainless steel from standard stock components.

## Application

ENDURAKOTE® plating provides corrosion resistance and is effective in increasing wear resistance in sliding surface contacts. The micro-surface composition of ENDURAKOTE® plating aids in lubricant dispersion, enhancing base metals to the degree of reducing or eliminating galling, seizing, and high friction, over a wide range of installations and environments.

## Advantages

ENDURAKOTE® plating effects a buildup of less than .0002 under normal circumstances. Thus, it can often be applied to stock bearing components which have been specially selected. ENDURAKOTE® plating is compatible with most ferrous and nonferrous metal, allowing maximum flexibility in selection of base material. ENDURAKOTE® plating is normally a final process, and its quality is constant with any given base metal, insuring design reproducibility.

## Properties and Characteristics

### A. Hardness

ENDURAKOTE® plating, as deposited, has an equivalent hardness in excess of 70 Rockwell "C." When measured by conventional micro-hardness methods, the host material will modify this measurement to some degree.

### B. Coefficient of Friction

(Note: Measurements made at 72°F, using other materials for comparison.)

| Material            | Against Material    | Static — Sliding |
|---------------------|---------------------|------------------|
| Steel               | Steel               | 0.30 — 0.20      |
| Steel               | Brass, Bronze       | 0.25 — 0.20      |
| Steel               | ENDURAKOTE® plating | 0.17 — 0.16      |
| Brass, Bronze       | ENDURAKOTE® plating | 0.15 — 0.13      |
| ENDURAKOTE® plating | ENDURAKOTE® plating | 0.14 — 0.12      |



## ENDURAKOTE® Plating (continued)

### C. Adhesion

ENDURAKOTE® plating will not flake, crack, chip, peel or otherwise separate from the base material under standard bend tests or under conditions where severe heat is induced. The adherence is adequate to withstand the extremely high compressive stresses in the contact areas of ball and roller bearings.

### D. Effect On Base

The purity of the chromium surface will not be less than 99% as deposited. A comprehensive testing program at KAYDON established that bearings with ENDURAKOTE® plating exhibited load-carrying capacities and life expectancy equal to or better than uncoated steel bearings.

### E. Corrosion Resistance

ENDURAKOTE® plating resists attack by most organic and inorganic compounds with a pH within the range of 4 and 11, except sulfuric and hydrochloric acids. Porosity of the base metal, compound concentration and exposure time to the compound become corrosion factors, but ENDURAKOTE® plating greatly enhances the base material. In severe salt spray tests as well as tap water immersion tests, bearing steel with ENDURAKOTE® plating proved equal to fully hardened AISI 440C stainless steel in resistance to rusting. In many instances, ENDURAKOTE® plating is better for corrosion protection than cadmium plate, zinc plate, phosphates, chromates, black oxide or normal chrome plate. We invite inquiries about and will be pleased to arrange tests to qualify ENDURAKOTE® plating for specific environments.

### F. Heat Resistance

Bearings with ENDURAKOTE® plating are designed to maintain their operating characteristics over a temperature range from -65°F to 250°F.

### G. Surface Quality

ENDURAKOTE® plating conforms to the texture of the existing surface. Ra finish will be improved slightly down to about 8 Ra; below 4 Ra there is little change. ENDURAKOTE® plating has a matte or micro-orange peel surface with very good lubricant retention qualities.

### H. Food Industries

ENDURAKOTE® plating can be used on food processing equipment.

### I. Load Capacity

ENDURAKOTE® plating does not affect the static or dynamic load capacity of the bearing.

### Bearing Size Capabilities

ENDURAKOTE® plating can be applied to turntable bearings up to 45 inches.

### Restrictions

KAYDON does not recommend the use of ENDURAKOTE® plating in any low torque or torque-sensitive applications.



# Section 6 Contents

## Appendix & Sales Information

- **Specification Data Sheets ..... pgs. 123-126**
- **Kaydon Website ..... pg. 127**
- **Kaydon Literature ..... pg. 128**
- **Warranty & Legal Information ..... pgs. 129-131**

# Specification Data Sheet *Choose one of 4 easy ways to complete and return*



**MAIL:** Kaydon Corporation, PO Box 688, Muskegon, MI 49443

**ONLINE:** www.kaydonbearings.com, **FAX:** 231-759-4102, **EMAIL:** bearings@kaydon.com

## 1. Contact Information

|       |  |  |             |         |  |
|-------|--|--|-------------|---------|--|
| Name  |  |  | Company     |         |  |
| Title |  |  | Address     |         |  |
| Email |  |  | City        |         |  |
| Phone |  |  | State       |         |  |
| Fax   |  |  | Postal Code | Country |  |

## 2. Quotation Data

|                    |  |                    |              |  |            |
|--------------------|--|--------------------|--------------|--|------------|
| Quotation Quantity |  | Pcs / delivery lot | Annual Usage |  | Pcs / year |
| Required Delivery  |  | Weeks              | Target Price |  | Per Unit   |
| Proposal Required  |  | Date               |              |  |            |

## 3. Application Description (please attach additional drawing or sketch)

Application (Reference Table 2-4 Service Factors pg. 17)

Which of the following applies?  New application  
 Interchange for existing bearing. *Include reason(s) for seeking interchange below.*

Other considerations

### Position of rotation axis

|                                       |   |  |
|---------------------------------------|---|--|
| <input type="checkbox"/> Vertical<br> | <input type="checkbox"/> Horizontal<br> | <input type="checkbox"/> Inclined/Variable<br><br>Nominal (relative to vertical)<br>$\alpha$ _____ degrees<br>Range<br>$\pm \beta$ _____ degrees |
|---------------------------------------|---|--|

### Axial load direction

|  |  |
|--|--|
| <input type="checkbox"/> Compression<br> | <input type="checkbox"/> Tension (Suspended)<br> |
|--|--|

|                                       |   |           |            |
|---------------------------------------|---|-----------|------------|
| Ambient temperature                   | Minimum °F  | Normal °F | Maximum °F |
| Seals Required                        | <input type="checkbox"/> No <input type="checkbox"/> Yes, Against: _____  |           |            |
| Specific Lubrication Required         | <input type="checkbox"/> No <input type="checkbox"/> Yes, Type: _____     |           |            |
| Special environmental considerations? | <input type="checkbox"/> No <input type="checkbox"/> Yes, Describe: _____ |           |            |

# Specification Data Sheet continued



## 4. Bearing Information

|       | Outline Dimensions |           |         |
|-------|--------------------|-----------|---------|
|       | Minimum            | Preferred | Maximum |
| ID    | in.                | in.       | in.     |
| OD    | in.                | in.       | in.     |
| Width | in.                | in.       | in.     |

|          | Mounting Holes   |  |
|----------|--|--|
|          | Inner Race   | Outer Race<br>( <input type="checkbox"/> Same as inner)  |
| Size     |  |  |
| Quantity |  |  |
| Style    | <input type="checkbox"/> Through<br><input type="checkbox"/> Tapped through<br><input type="checkbox"/> Tapped blind | <input type="checkbox"/> Through<br><input type="checkbox"/> Tapped through<br><input type="checkbox"/> Tapped blind |
|          | <input type="checkbox"/> C'drilled<br><input type="checkbox"/> C'bored   | <input type="checkbox"/> C'drilled<br><input type="checkbox"/> C'bored   |

| Gear Data                           |  |                                   |
|-------------------------------------|--|-----------------------------------|
| <input type="checkbox"/> None       | <input type="checkbox"/> Internal                  | <input type="checkbox"/> External |
| Tooth Form                          | <input type="checkbox"/> Full Depth                | <input type="checkbox"/> Stub     |
| Dia. Pitch (Mod)                    |  |                                   |
| Pitch Diameter                      |  | in.                               |
| Pressure angle                      |  | degrees                           |
| Number of teeth                     |  |                                   |
| Addendum mod.                       |  | in.                               |
| Face width                          |  | in.                               |
| Mating Pinion (s)                   |  |                                   |
| Number used                         |  |                                   |
| Number of teeth                     |  |                                   |
| Addendum Mod.                       |  | in.                               |
| OD                                  |  | in.                               |
| Center Distance                     |  |                                   |
| <input type="checkbox"/> Adjustable | <input type="checkbox"/> Fixed, distance _____ in. |                                   |

## 5. Load Parameters

| Load Case          | Bearing Loads |              |                 | Speed (RPM) |     | Gear Load Torque (ft-lbs) | Percent of Time |
|--------------------|---------------|--------------|-----------------|-------------|-----|---------------------------|-----------------|
|                    | Axial (lbs)   | Radial (lbs) | Moment (ft-lbs) | Mean        | Max |                           |                 |
| Static             |               |              |                 | —           | —   | —                         |                 |
| Normal Operating 1 |               |              |                 |             |     |                           |                 |
| Normal Operating 2 |               |              |                 |             |     |                           |                 |
| Normal Operating 3 |               |              |                 |             |     |                           |                 |
| Maximum Operating  |               |              |                 |             |     |                           |                 |
| Test/Overload      |               |              |                 |             |     |                           |                 |

|  |  |  |  |
|--|--|--|--|
| Safety factor included in loads above?   | <input type="checkbox"/> No<br><input type="checkbox"/> Yes, _____   | Additional application service factor required?  | <input type="checkbox"/> No<br><input type="checkbox"/> Yes, _____ |
| Rotation   | <input type="checkbox"/> Intermittent<br><input type="checkbox"/> Continuous without interruption<br><input type="checkbox"/> Oscillating, _____ degrees | <input type="checkbox"/> One direction only<br><input type="checkbox"/> Alternating directions |  |
| Life required (L10)  | <input type="checkbox"/> Hours (based on speeds in above table)<br><input type="checkbox"/> Revolutions / oscillations                                   |  |  |
| Shocks or vibrations?  | <input type="checkbox"/> No<br><input type="checkbox"/> Yes, describe:   |  |  |
| Special conditions: <i>materials, torque, accuracy, seals, protective coatings, etc.</i> |  |  |  |

## 6. Comments

# Specification Data Sheet *Choose one of 4 easy ways to complete and return*



**MAIL:** Kaydon Corporation, PO Box 688, Muskegon, MI 49443

**ONLINE:** www.kaydonbearings.com, **FAX:** 231-759-4102, **EMAIL:** bearings@kaydon.com

## 1. Contact Information

|       |  |  |             |         |  |
|-------|--|--|-------------|---------|--|
| Name  |  |  | Company     |         |  |
| Title |  |  | Address     |         |  |
| Email |  |  | City        |         |  |
| Phone |  |  | State       |         |  |
| Fax   |  |  | Postal Code | Country |  |

## 2. Quotation Data

|                    |  |                    |              |  |            |
|--------------------|--|--------------------|--------------|--|------------|
| Quotation Quantity |  | Pcs / delivery lot | Annual Usage |  | Pcs / year |
| Required Delivery  |  | Weeks              | Target Price |  | Per Unit   |
| Proposal Required  |  | Date               |              |  |            |

## 3. Application Description (please attach additional drawing or sketch)

Application (Reference Table 2-4 Service Factors pg. 17)

Which of the following applies?  New application  
 Interchange for existing bearing. *Include reason(s) for seeking interchange below.*

Other considerations

### Position of rotation axis

|                                       |   |  |  |
|---------------------------------------|---|--|--|
| <input type="checkbox"/> Vertical<br> | <input type="checkbox"/> Horizontal<br> | <input type="checkbox"/> Inclined/Variable<br> | Nominal (relative to vertical)<br>$\alpha$ _____ degrees<br>Range<br>$\pm \beta$ _____ degrees |
|---------------------------------------|---|--|--|

### Axial load direction

|  |  |
|--|--|
| <input type="checkbox"/> Compression<br> | <input type="checkbox"/> Tension (Suspended)<br> |
|--|--|

|                                       |   |           |            |
|---------------------------------------|---|-----------|------------|
| Ambient temperature                   | Minimum °F  | Normal °F | Maximum °F |
| Seals Required                        | <input type="checkbox"/> No <input type="checkbox"/> Yes, Against: _____  |           |            |
| Specific Lubrication Required         | <input type="checkbox"/> No <input type="checkbox"/> Yes, Type: _____     |           |            |
| Special environmental considerations? | <input type="checkbox"/> No <input type="checkbox"/> Yes, Describe: _____ |           |            |

# Specification Data Sheet continued



## 4. Bearing Information

|       | Outline Dimensions |           |         |
|-------|--------------------|-----------|---------|
|       | Minimum            | Preferred | Maximum |
| ID    | in.                | in.       | in.     |
| OD    | in.                | in.       | in.     |
| Width | in.                | in.       | in.     |

|          | Mounting Holes   |  |
|----------|--|--|
|          | Inner Race   | Outer Race<br>( <input type="checkbox"/> Same as inner)  |
| Size     |  |  |
| Quantity |  |  |
| Style    | <input type="checkbox"/> Through<br><input type="checkbox"/> Tapped through<br><input type="checkbox"/> Tapped blind | <input type="checkbox"/> Through<br><input type="checkbox"/> Tapped through<br><input type="checkbox"/> Tapped blind |
|          | <input type="checkbox"/> C'drilled<br><input type="checkbox"/> C'bored   | <input type="checkbox"/> C'drilled<br><input type="checkbox"/> C'bored   |

| Gear Data                           |  |                                   |
|-------------------------------------|--|-----------------------------------|
| <input type="checkbox"/> None       | <input type="checkbox"/> Internal                  | <input type="checkbox"/> External |
| Tooth Form                          | <input type="checkbox"/> Full Depth                | <input type="checkbox"/> Stub     |
| Dia. Pitch (Mod)                    |  |                                   |
| Pitch Diameter                      |  | in.                               |
| Pressure angle                      |  | degrees                           |
| Number of teeth                     |  |                                   |
| Addendum mod.                       |  | in.                               |
| Face width                          |  | in.                               |
| Mating Pinion (s)                   |  |                                   |
| Number used                         |  |                                   |
| Number of teeth                     |  |                                   |
| Addendum Mod.                       |  | in.                               |
| OD                                  |  | in.                               |
| Center Distance                     |  |                                   |
| <input type="checkbox"/> Adjustable | <input type="checkbox"/> Fixed, distance _____ in. |                                   |

## 5. Load Parameters

| Load Case          | Bearing Loads |              |                 | Speed (RPM) |     | Gear Load Torque (ft-lbs) | Percent of Time |
|--------------------|---------------|--------------|-----------------|-------------|-----|---------------------------|-----------------|
|                    | Axial (lbs)   | Radial (lbs) | Moment (ft-lbs) | Mean        | Max |                           |                 |
| Static             |               |              |                 | —           | —   | —                         |                 |
| Normal Operating 1 |               |              |                 |             |     |                           |                 |
| Normal Operating 2 |               |              |                 |             |     |                           |                 |
| Normal Operating 3 |               |              |                 |             |     |                           |                 |
| Maximum Operating  |               |              |                 |             |     |                           |                 |
| Test/Overload      |               |              |                 |             |     |                           |                 |

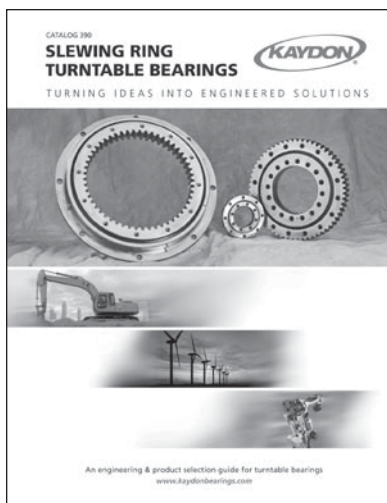
|  |  |  |  |
|--|--|--|--|
| Safety factor included in loads above?   | <input type="checkbox"/> No<br><input type="checkbox"/> Yes, _____   | Additional application service factor required?  | <input type="checkbox"/> No<br><input type="checkbox"/> Yes, _____ |
| Rotation   | <input type="checkbox"/> Intermittent<br><input type="checkbox"/> Continuous without interruption<br><input type="checkbox"/> Oscillating, _____ degrees | <input type="checkbox"/> One direction only<br><input type="checkbox"/> Alternating directions |  |
| Life required (L10)  | <input type="checkbox"/> Hours (based on speeds in above table)<br><input type="checkbox"/> Revolutions / oscillations                                   |  |  |
| Shocks or vibrations?  | <input type="checkbox"/> No<br><input type="checkbox"/> Yes, describe:   |  |  |
| Special conditions: <i>materials, torque, accuracy, seals, protective coatings, etc.</i> |  |  |  |

## 6. Comments

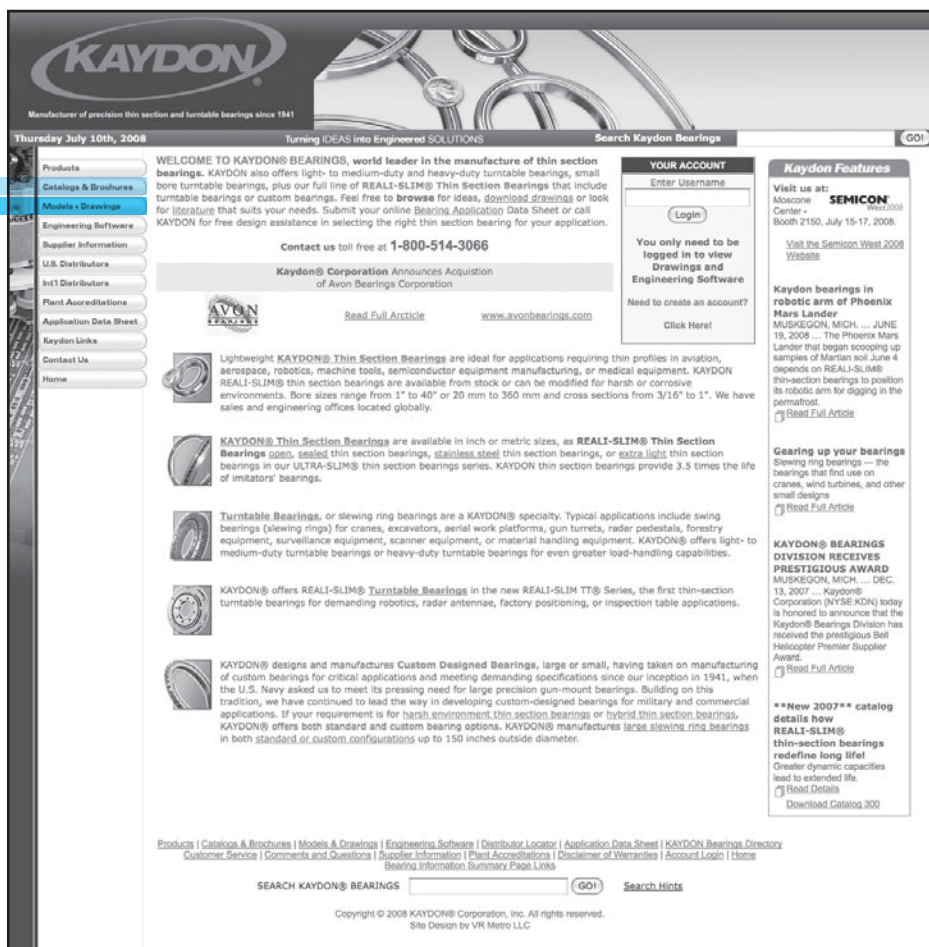
# Visit our website: www.kaydonbearings.com

## for latest releases — newest features — and downloads of catalogs, software, or CAD drawings.

Click on Catalogs & Brochures



Click on Models + Drawings



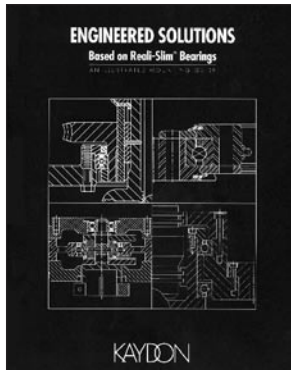
# Application Information to Help In Your Designs

Also available for download from our website [www.kaydonbearings.com](http://www.kaydonbearings.com).



## 1. REALI-SLIM® thin-section bearings catalog

Complete engineering and selection information on the entire product line, including REALI-SLIM MM™ metric series, REALI-SLIM TT® turntable series, and ULTRA-SLIM® series. 132 pages. Request Catalog 300.



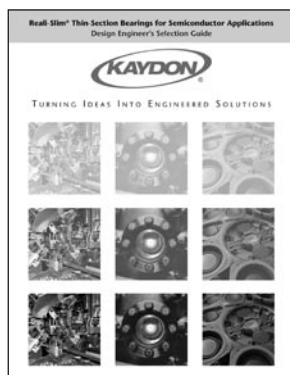
## 2. An illustrated mounting guide for REALI-SLIM® bearings

Provides ideas on how to improve designs through better mounting and use of bearing assemblies. 24 pages. Request Catalog 306.



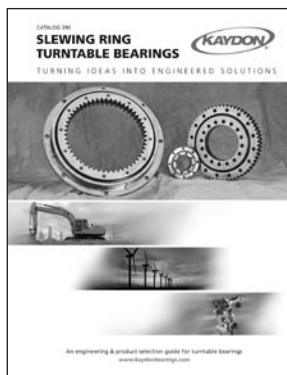
## 3. REALI-DESIGN® and REALI-DESIGN MM® software on CD

Speeds REALI-SLIM® bearing selection process. Includes data sheets, life calculations, and CAD-ready DXF library for both inch and metric series. Software also downloadable from [www.kaydonbearings.com](http://www.kaydonbearings.com).



## 4. A design engineer's selection guide for REALI-SLIM® bearings in semiconductor applications

Engineering recommendations for use of KAYDON bearings in semiconductor manufacturing equipment. 8 pages. Request Catalog 315.



## 5. Slewing ring / turntable bearings catalog

Complete engineering and selection information on standard and custom slewing ring and turntable bearings. 132 pages. Request Catalog 390.



## 6. Corporate capabilities brochure

Comprehensive overview of KAYDON Corporation businesses.



# Warranty Information and Legal Notices



**WARNING** - Damage to equipment and danger to human life can result from failure to heed the recommendations in the text identified by the warning symbol.

## Disclaimer

The design and application information contained in this catalog is for illustration only. Responsibility for the application of the products contained in this catalog rests solely with the equipment designer or user. In spite of our best efforts, the material contained in this catalog may contain inaccuracies and typographical errors.

## Hazard Notice

The use of any part, such as those described in this catalog, may be hazardous and have the potential to cause serious injury, including death, to people or property. The purchaser is responsible for evaluating the hazards associated with any part used in their application.

## Kaydon Standard Terms and Conditions of Sale

- 1) Scope.** Prices quoted are for acceptance within thirty (30) days from date of quotation unless otherwise stated. The terms and conditions of sale set forth below apply to all quotations made and purchase orders accepted by Seller.
  - 2) Acceptance of Orders.** All orders are subject to acceptance by authorized officials at Seller's division or subsidiary offices.
  - 3) Scheduling.** Shipping dates are approximate and are based upon prompt receipt of all necessary information. Buyer shall furnish to Seller written shipping instructions in sufficient time to permit Seller to make shipment at Seller's option within any time or times herein specified for shipment. In the event of a delay in delivery due to any reason described in Section 16 below, the delivery date shall be deferred for a period equal to the time lost by reason of delay. In the event such delay shall continue for more than two weeks, then, at Seller's option, the order will be deemed cancelled without liability to Seller.
  - 4) Quantities.** Seller reserves the right to ship quantities (or weight, as applicable) that are within ten percent (10%) of the quantity (or weight) specified by Buyer, and Seller shall not be liable for any overshipment or undershipment within this limit. In the event of any overshipment within this limit, Buyer shall pay for the actual quantity (or weight) shipped.
  - 5) Delivery and Transportation.** Seller's delivery dates are approximate. Seller shall not be liable for delays in delivery or other defaults in performance of this order arising out of causes beyond Seller's control. Unless otherwise agreed to in writing by Seller, delivery of the products hereunder shall be made F.O.B. at the point of shipment with delivery to the initial carrier to constitute delivery to the Buyer. Title to products passes to Buyer and products are at risks to Buyer from and after delivery to the initial carrier. Transportation expenses will be paid by Buyer and risk of loss, shortage, delay or damage to products in transit shall fall upon Buyer, whose responsibility it shall be to file claims with the carrier.
  - 6) Terms of Payment.** Invoices are due and payable (30) thirty days from the date of invoice unless other terms are shown on the face hereof. A 1-1/2% (one-and-a-half percent) carrying charge will be applied to all past due amounts. If shipments are delayed by Buyer, payments shall become due on the date when Seller is prepared to make shipment. If the work covered by the purchase order is delayed by Buyer, payments shall be made based on the purchase price and the percentage of completion. Seller reserves the right to ship to its order and make collection by sight draft with bill of lading attached.
  - 7) Taxes.** Prices do not include foreign or domestic sales, use, excise or similar taxes. Consequently, in addition to the prices specified herein, the amount of any present or future sales, use, excise or other general or specific tax, or imports, duties or penalties or other governmental charges fixed or imposed by any lawful authority(s) upon or applicable to the production, sale, shipment, delivery or use of the products sold hereunder shall be added to the price and be paid by Buyer or, in lieu thereof, Buyer shall provide Seller with a tax exemption certificate acceptable to the taxing authorities. If such tax is paid by Seller, Buyer shall reimburse Seller upon presentation of invoice.
  - 8) Warranty.** Seller warrants the products manufactured by it to be free from defects in material and workmanship only. The extent of Seller's obligation hereunder is to either repair or replace its work or the defective products, F.O.B. Seller's plant, if returned within twelve (12) months after date of delivery. No allowance will be granted for repairs or alterations made by Buyer without Seller's written approval. The warranty shall not be construed to cover the cost of any work done by Buyer on material furnished by Seller or the cost of removal or installation of product. Products and parts not manufactured by Seller are warranted only to the extent and in the manner that the same are warranted to Seller by Seller's vendors and then only to the extent Seller is able to enforce such warranty. There is no other warranty, expressed or implied, in fact or by law.
- THE FOREGOING STATES THE SOLE AND EXCLUSIVE WARRANTY OF BUYER AND THE SOLE AND EXCLUSIVE WARRANTY OF SELLER. THE WARRANTIES STATED IN THIS PARAGRAPH ARE IN LIEU OF ALL OTHER WARRANTIES WRITTEN OR VERBAL, STATUTORY, EXPRESSED OR IMPLIED, INCLUDING WARRANTIES OF MERCHANTABILITY AND FITNESS FOR A PARTICULAR PURPOSE, WHICH ARE HEREBY DISCLAIMED.
- Seller's agreement to sell the products is made upon the condition and agreement that, with respect to the products, there have been no representations or undertakings made by or on behalf of Seller and Seller makes no guarantees or warranties, expressed or implied, in fact or in law, except as expressly stated above.
- 9) Limitation of Liability.** Seller shall not be responsible, obligated, or liable for any injury or damage resulting from an application or use of its products, either singly or in combination with other products. SELLER'S SOLE LIABILITY FOR BREACH OF WARRANTY OR ANY OTHER CLAIM SHALL BE LIMITED TO REPAIR OR REPLACEMENT OF THE PRODUCTS OR RETURN OF THE PURCHASE PRICE, AT SELLER'S SOLE OPTION. SELLER SHALL NOT BE LIABLE FOR DAMAGES, INCLUDING BUT NOT LIMITED TO CONSEQUENTIAL OR SPECIAL DAMAGES ARISING OUT OF OR IN CONNECTION WITH THE USE OR PERFORMANCE OF THE PRODUCTS OR ARISING OUT OF ACCEPTANCE OF THIS ORDER.
  - 10) Acceptance of Products.** Products will be deemed accepted without any claim by Buyer unless written notice of non-acceptance is received by Seller within thirty (30) days of delivery if shipped F.O.B. point of shipment, or ten (10) days of delivery if shipped F.O.B. point of destination. Such written notice shall not be considered received by Seller unless it is accompanied by all freight bills for such shipment, with agent's notations as to damages, shortages and conditions of equipment, containers and seals. Non-accepted products are subject to return policy stated below.
  - 11) Return of Products.** No product may be returned to Seller without Seller's prior written permission, which permission may be withheld by Seller in its sole discretion.
  - 12) Damages to Returned Products.** If Buyer elects to return product(s) to Seller for refurbishment, Buyer agrees to accept all

## Warranty Information and Legal Notices (continued)

risk of damage or destruction of such returned product(s), and Seller shall not be liable for any failure or inability on the part of Seller to complete refurbishment upon any such returned products.

**13) Limitations of Actions.** Irrespective of whether Seller agreed to perform field start-up or any other service after the delivery of the product, all claims or actions must be brought within one (1) year of date of tender of delivery, or eighteen (18) months of Buyer's order, if no tender of delivery is made, notwithstanding any statutory period of limitation to the contrary.

**14) Patents.** Buyer shall hold Seller harmless against any expense or loss resulting from infringement of patents or trademarks arising from compliance with Buyer's design, specifications or instructions.

The sale of products or parts thereof by Seller does not convey any license by implication, estoppel, or otherwise under patent claims covering combinations of these products or parts with other devices or elements.

**15) Financial Responsibility.** If in the sole judgment of Seller the financial resources of Buyer become impaired or unsatisfactory at any time during the term of the agreement between the parties, then Seller may require of Buyer a deposit or suitable security or margin for performance by Buyer in such amount or amounts from time to time as Seller shall specify. Upon requirement of deposit, Buyer shall make such deposit not later than the close of Seller's next business day. If Buyer fails to make such deposit, then Seller may at its option (1) cancel the agreement between the parties or the undelivered portion thereof, in which case Buyer agrees to pay Seller the difference between the market price on date of cancellation and the contract price; (2) resell at any time for Buyer's account all or any undelivered portion of the products, in which case Buyer agrees to pay Seller the difference between the resale price and the contract price, or (3) otherwise change the terms of payment. In the event Buyer shall be or becomes insolvent, or admits in writing Buyer's inability to pay Buyer's debts as they mature, or if Buyer shall make an assignment with creditors or if there are instituted by or against Buyer proceedings in bankruptcy or under any insolvency laws or for reorganization, receivership or dissolution, Seller may terminate the agreement between the parties at any time and without notice.

**16) Force Majeure.** In the event of war, fire, epidemics, quarantine restrictions, flood, strike, labor trouble, breakage of equipment, accident, riot, the imposition of any government price control regulation or any other act of governmental authority, acts of God or other contingencies (whether similar or dissimilar to the foregoing) beyond the reasonable control of Seller, interfering with the production, supply, transportation, or consumption practice of Seller at the time respecting the products covered by the agreement between the parties or in the event of inability to obtain on terms deemed by Seller to be practicable any raw material (including energy source) used in connection therewith, quantities so affected shall be eliminated from the contract without liability, but the contract shall otherwise remain unaffected. Seller may during any period of shortage due to any of these causes, allocate its supply of such raw material among its various uses therefore (e.g. manufacturing and sales) in such manner as Seller deems practicable and allocate its supply of such products among such various uses thereof in any manner which Seller deems fair and reasonable.

**17) Reasonable Attorneys' Fees.** In the event suit or other proceeding shall be brought for the recovery of the purchase price, or any unpaid balance or the breach by Buyer of any term of the agreement between Seller and Buyer, Buyer shall pay to Seller, in addition to any damages provided by law, reasonable attorneys' fees and costs of collection.

**18) Security Title.** Security title and right of possession of the products sold hereunder shall remain with Seller until all payments due from Buyer to Seller (including deferred payments whether evidenced by notes or otherwise) shall have been made in cash and Buyer agrees to do all acts necessary to perfect and maintain such security right and title in Seller.

**19) Cancellations.** Buyer may cancel an order only upon written consent and upon payment to Seller of cancellation charges, which shall take into account among other things expenses incurred and commitments already made by Seller, and Seller's profit margin.

### 20) General

- (a) The agreement between Buyer and Seller and matters connected with the performance thereof shall be construed in accordance with and governed by the law of the State of Seller's accepting offices, as referenced in Section 2, as though it were executed and performed entirely within the State of Seller's accepting offices, as referenced in Section 2, and shall be construed to be between merchants.
  - (b) Any assignment of the agreement between Buyer and Seller or any rights or obligation of the agreement by Buyer without written consent of Seller shall be void.
  - (c) Except as may be expressly provided to the contrary in writing, the provisions of the agreement between Buyer and Seller are for the benefit of the parties hereto and not for any other person.
  - (d) No waiver by Seller of any breach of any provision of the agreement between Buyer and Seller will constitute a waiver of any other breach.
  - (e) The terms and conditions set forth above contain all the representations, stipulations, warranties, agreements and understandings with respect to the subject matter of the agreement between Buyer and Seller, and its execution has not been induced by any representation, stipulation, warranty, agreement or understanding (including any course of prior dealings between the parties hereto) of any kind other than those set forth above.
  - (f) No amendment, addition to, alteration, modification or waiver of all or part of the agreement between Buyer and Seller shall be of any force or effect unless in writing and signed by Seller. If the terms and conditions set forth above conflict with those of any purchase order of Buyer written in connection with the sale of the products or any portion thereof, then the terms set forth above shall govern.
- 21) Arbitration.** Any controversy or claim arising out of or relating to the agreement between Buyer and Seller, or the breach thereof, shall be settled in the City and State of the Seller's accepting offices, as referenced in Section 2, by arbitration in accordance with the Rules of the American Arbitration Association, and judgment upon the award rendered by the arbitrator may be entered in any court having jurisdiction thereof.

## “RESPONSIBILITY STATEMENT”



### **WARNING**

FAILURE OF, OR IMPROPER SELECTION OF, OR IMPROPER USE OF THE PRODUCTS DESCRIBED HEREIN OR RELATED ITEMS CAN CAUSE DEATH, PERSONAL INJURY AND PROPERTY DAMAGE.

This document and other information from Kaydon Corporation, its subsidiaries and authorized distributors provide product or system options for further investigation by users having technical expertise. Before you select or use any product or system, it is important that you analyze all aspects of your application and review the information concerning the product in the current product catalog. The user, through its own analysis and testing, is solely responsible for making the final selection of the product or system and assuring that all performance, safety and warning requirements of the application are met. The products and systems described herein, including without limitation, product features, specifications, designs, availability and pricing, are subject to change by Kaydon Corporation and its subsidiaries at any time without notice.



**KAYDON Corporation**  
2860 McCracken Street  
Muskegon, Michigan 49441 U.S.A.  
**Phone:** +1 (231) 755-3741  
**Fax:** +1 (231) 759-4102

***Need Service Fast?***  
**1-800-514-3066**

Visit our website: [www.kaydonbearings.com](http://www.kaydonbearings.com)