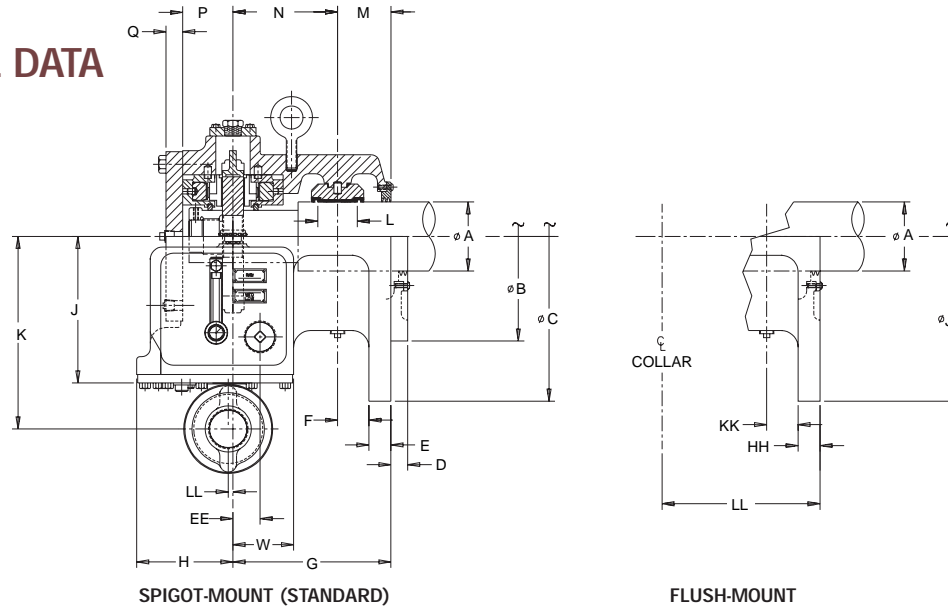
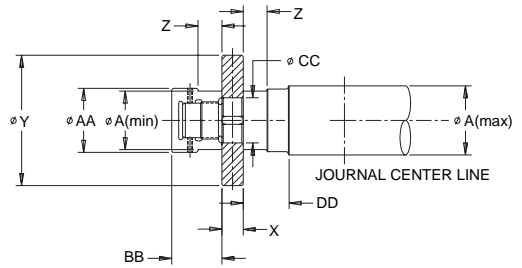
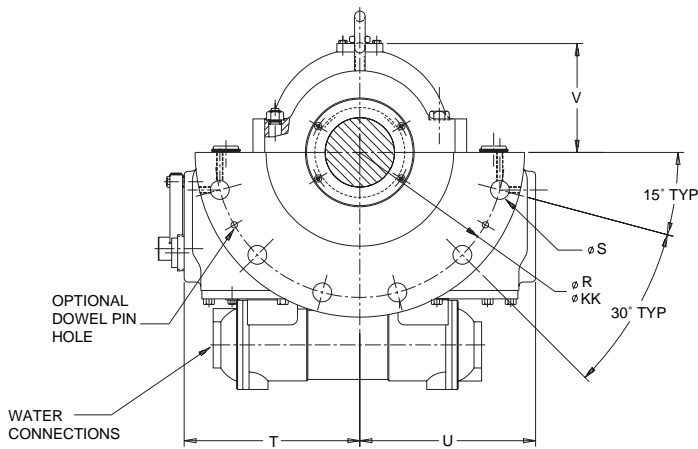


# CH BEARING DIMENSIONAL DATA



MODEL NO.	WEIGHT DRY lbs kg	SUMP CAPACITY gal liters	A min/max in mm	B	C	D	E	F	G	H	J	K	L*	M	N	P	Q	R	S
CH-4	150	0.75	1.75/2.25	8.250	11.25	0.62	0.75	1.19	5.12**	3.62	6.25	9.88	1.75	2.12	3.88	2.06	0.75	8.88	0.75
CH-4	70	2.8	44.5/57.2	209.55	285.8	15.7	19.1	30.2	130.0	91.9	158.8	251.0	44.5	53.8	98.6	52.3	19.1	225.6	19.1
CH-5	200	1.5	2.25/2.75	11.500	15.75	1.00	1.00	1.75	7.75	3.00	7.25	10.88	2.50	2.75	5.00	2.19	0.81	13.38	0.94
CH-5	90	5.5	57.2/69.9	292.10	400.1	25.4	25.4	44.5	196.9	76.2	184.2	276.4	63.5	69.9	127.0	55.6	20.6	339.9	23.9
CH-6	325	2	2.75/3.25	11.500	17.25	0.62	1.12	1.32	7.88	3.44	10.25	13.88	3.00	3.06	5.44	2.56	0.88	15.25	1.12
CH-6	150	8	69.9/82.6	292.10	438.2	15.7	28.4	33.5	200.2	87.4	260.4	352.6	76.2	77.7	138.2	65.0	22.4	387.4	28.4
CH-7	425	4	3.25/3.75	12.500	17.25	1.12	1.25	1.12	8.62	5.75	8.75	11.50	3.50	3.19	6.25	3.00	1.00	14.25	0.94
CH-7	200	15	82.6/95.3	317.50	438.2	28.4	31.8	28.4	218.9	146.1	222.3	292.1	88.9	81.0	158.8	76.2	25.4	362.0	23.9
CH-8	600	5	3.75/4.25	14.250	19.50	1.00	1.38	1.50	9.59**	3.72	9.06	11.81	4.00	3.94	7.63	3.72	1.12	16.75	1.12
CH-8	275	18	95.3/108.0	361.95	495.3	25.4	35.1	38.1	243.6	94.5	230.1	300.0	101.6	100.1	193.8	94.5	28.4	425.5	28.4
CH-9	860	6	4.25/4.88	16.000	21.75	1.25	1.50	1.00	11.00	5.50	11.25	14.00	4.50	4.44	8.50	4.12	1.31	18.75	1.25
CH-9	400	23	108.0/123.8	406.40	552.5	31.8	38.1	25.4	279.4	139.7	285.8	355.6	114.3	112.8	215.9	104.6	33.3	476.3	31.8
CH-10.5	1200	17	4.88/5.75	18.000	25.00	1.25	1.62	2.38	14.00	6.25	14.50	19.25	5.25	5.00	10.00	4.69	1.50	22.00	1.50
CH-10.5	550	65	123.8/146.1	457.20	635.0	31.8	41.1	60.5	355.6	158.8	368.3	489.0	133.4	127.0	254.0	119.1	38.1	558.8	38.1
CH-12	1700	25	5.75/6.75	21.000	28.00	1.25	1.75	3.00	16.13	6.88	17.00	22.75	6.00	5.94	11.38	5.25	1.62	24.00	1.62
CH-12	775	95	146.1/171.5	533.40	711.2	31.8	44.5	76.2	409.7	174.8	431.8	577.9	152.4	150.9	289.1	133.4	41.1	609.6	41.1
CH-13.5	2200	45	6.25/7.50	22.000	31.00	1.50	2.00	4.50	19.25	7.69	20.00	25.75	6.75	6.50	12.75	5.94	1.75	27.00	1.75
CH-13.5	1000	170	158.8/190.5	558.80	787.4	38.1	50.8	114.3	489.0	195.3	508.0	654.1	171.5	165.1	323.9	150.9	44.5	685.8	44.5

Metrics are shown on the shaded bars. All dimensions should be confirmed by a certified drawing. NOTE: Add to sump capacity a sufficient amount of oil to allow for the application's piping. \*Effective length will vary with shaft diameter. \*\*For these sizes only, N+F+E≠G. \*\*\*Dimension KK applies only to flush mount units, otherwise use R.



NOTE: SHAFT, SHAFT NUT AND KEY NOT SUPPLIED BY KINGSBURY

### SHAFT AND COLLAR ARRANGEMENT

MODEL NO.	T	U	V	W	X	Y	Z	AA	BB	CC	DD min/max	EE	FF	GG	HH	JJ	KK***	LL
CH-4	6.88	6.88	4.00	2.12	0.88	4.62	1.38	1.62	1.38	1.00	2.19/2.19	T.B.D.	0.75	11.25	1.19	5.12	~	0.81
CH-4	174.8	174.8	101.6	53.8	22.2	117.3	35.1	41.1	35.1	25.3	55.6/55.6	T.B.D.	19.1	285.8	30.2	130.0	~	20.6
CH-5	7.12	7.12	4.69	3.62	0.88	5.12	1.00	2.50	1.56	1.75	1.00/2.75	1.88	1.00	15.75	1.75	7.75	~	0.75
CH-5	180.8	180.8	119.1	91.9	22.2	130.0	25.4	63.5	39.6	44.5	25.4/69.9	47.8	25.4	400.1	44.5	196.9	~	19.1
CH-6	8.25	8.25	5.25	2.88	1.00	6.12	1.25	3.00	1.81	2.13	1.25/3.00	1.62	1.12	17.25	1.32	7.88	~	0.38
CH-6	209.6	209.6	133.4	73.2	25.4	155.4	31.8	76.2	46.0	54.0	31.8/76.2	41.1	28.4	438.2	33.5	200.2	~	9.7
CH-7	10.50	10.50	6.50	3.62	1.25	7.12	1.38	3.50	2.00	2.50	1.38/3.75	1.75	1.31	19.68	1.88	9.44	17.25	0.03
CH-7	266.7	266.7	165.1	91.9	31.8	180.8	35.1	88.9	50.8	63.5	35.1/95.3	44.5	33.3	499.9	47.8	239.8	438.2	0.8
CH-8	10.50	10.50	6.75	5.12	2.06	8.12	1.50	4.00	2.25	3.00	1.50/3.75	1.00	1.38	19.50	1.50	9.59	~	~
CH-8	266.7	266.7	171.5	130.0	52.3	206.2	38.1	101.6	57.2	76.2	38.1/95.3	25.4	35.1	495.3	38.1	243.6	~	~
CH-9	11.62	11.62	7.25	7.75	2.25	9.12	1.75	4.50	2.50	3.50	1.75/4.50	2.00	1.50	21.75	2.94	12.94	18.75	~
CH-9	295.1	295.1	184.2	196.9	57.2	231.8	44.5	114.3	63.5	88.9	44.5/114.3	50.8	38.1	552.5	74.7	328.7	476.3	~
CH-10.5	14.00	14.00	8.50	7.44	2.62	10.69	1.88	5.25	3.00	4.13	1.88/5.00	3.50	1.62	25.00	3.45	15.00	~	~
CH-10.5	355.6	355.6	215.9	189.0	66.5	271.5	47.8	133.4	76.2	104.9	47.8/127.0	88.9	41.1	635.0	87.6	381.0	~	~
CH-12	16.00	16.00	9.75	8.00	3.00	12.19	2.19	6.00	3.38	4.75	2.75/6.00	4.00	1.75	28.50	5.88	17.25	~	~
CH-12	406.4	406.4	247.7	203.2	76.2	309.6	55.6	152.4	85.9	120.7	69.9/152.4	101.6	44.5	723.9	149.4	438.2	~	~
CH-13.5	18.00	18.00	10.75	10.62	3.38	13.69	2.50	6.75	3.75	5.38	2.50/6.50	6.00	2.00	31.00	4.44	19.25	~	~
CH-13.5	457.2	457.2	273.1	269.7	85.7	347.7	63.5	171.5	95.3	136.7	63.5/165.1	152.4	50.8	787.4	112.8	489.0	~	~