

Link-Belt Bearings

**Link-
Belt**®

**Klean-
Gard**™

Corrosion Resistant
Bearing Units

Rexnord
|||||



Link-Belt® Klean-Gard™ Bearings

Resistance to Chemical Agents

CHEMICAL AGENT	POLYAMIDE		POLYPROPYLENE		RUBBER				STAINLESS STEEL					
	Note	Conc. 23°C %	Note	Conc. 23°C %	NBR		Viton		AISI 303		AISI 304	AISI 316 L		
					Note	Conc. 23°C %	Note	Conc. 23°C %	Note	Conc. 23°C %	Note	Conc. 23°C %	Note	Conc. 23°C %
Acetic acid	Sol.	10 -		40 +		-		20 -		20 +		20 +		50 +
Acetone		100 +		+		-		-		25 +		25 +		25 +
Aluminum chloride	Sol.	10 +			Sol.	+	Sol.	Sat. +		/		/		/
Ammonia		10 +		30 +	Sol.	/	Sol.	/		100 +		100 +		100 +
Ammonium chloride	Sol.	10 +			Sol.	+	Sol.	Sat. +		/		/		/
Amyl alcohol		100 +		+				+		+		+		+
Beer		+		+		+		+						
Benzoic acid	Sol.	Sat. /		Sat. +	Sol.	+	Sol.	+		100 +		100 +		100 +
Benzol		100 +		/		-		/		+		+		+
Boric acid	Sol.	10 +		Sat. +	Sol.	+	Sol.	Sat. +		Sat. +		Sat. +		Sat. +
Butter		+		+		+		+						
Butyl alcohol		100 +		+		/		+		+		+		+
Calcium chloride	Sol.	10 +	Sol.	50 +	Sol.	+	Sol.	Sat. +		/		/		/
Carbon sulphide		100 +		+		-		+		+		+		+
Carbon tetrachloride		+		-		-		+		+		+		+
Chloroform		100 -		/		-		+		+		+		+
Citric acid	Sol.	10 /		10 +	Sol.	+	Sol.	Sat. +		25 +		25 +		25 +
Copper sulphate	Sol.	10 +			Sol.	+	Sol.	Sat. +		100 +		100 +		100 +
Distilled water		+		+										
Ethyl acetate		100 +		+		-		-						
Ethyl alcohol		96 +		96 +		/		+		+		+		+
Ethyl chloride		100 +		-						/		/		/
Ethyl ether		100 +		+				-						
Ferric chloride	Sol.	10 +		+	Sol.	+	Sol.	Sat. +		/		/		/
Food fats		+		+		+		+						
Food oils		+		+		+		+						
Formaldehyde	Sol.	30 +	Sol.	40 +				40 +						
Freon 12	Liq.	+				+		/						
Gasoline		+		/		/		+		+		+		+
Glycerine		+		+		+		+		+		+		+
Hydrochloric acid	Sol.	10 -	Sol.	30 +	Sol.	10 /		37 +						1 +
Hydrofluoric acid	Sol.	40 -		40 +		65 -		48 +						
Hydrogen peroxide	Sol.	3 -		30 +	Sol.	80 -		90 +						+
Lactic acid	Sol.	10 +	Sol.	20 +	Sol.	+		+						100 +
Linseed oil		+		+		+		+						+
Magnesium chloride	Sol.	10 +	Sol.	Sat. +	Sol.	+	Sol.	Sat. +		/		/		/
Mercury		+				+		+		+		+		+
Methyl alcohol		100 +		+		/		/		+		+		+
Methylene chloride		100 +		/		-		/		/		/		/
Milk		+		+		+		+				+		
Mineral oil		+		+		+		+		+		+		+
Nitric acid		10 -	Sol.	+	Sol.	10 -		70 +		65 +		65 +		65 +
Oleic acid		100 +		+		/		/						
Petroleum		+				+		+						
Petroleum ether		+		+						+		+		+
Phenol	Sol.	-		+		-		+						+
Phosphoric acid	Sol.	10 -		85 +	Sol.	20 /		85 +						50 /
Potassium hydroxide	Sol.	10 +			Sol.	/	Sol.	+		50 +		50 +		50 +
Sea water		+		+		+		+						+
Silicone oil		+		+		+		+						
Silver nitrate		+		+	Sol.	/	Sol.	+						
Sodium carbonate	Sol.	10 +	Sol.	Sat. +	Sol.	+	Sol.	+		100 +		100 +		100 +
Sodium chloride	Sol.	10 +	Sol.	Sat. +	Sol.	+	Sol.	Sat. +		/		/		/
Sodium hypochlorite	Sol.	+	Sol.	20 +	Sol.	-		5 +						
Sodium hydroxide	Sol.	10 +		52 +	Sol.	/		45 +						
Sodium silicate		+			Sol.	+				100 +		100 +		100 +
Sodium sulfate	Sol.	10 +			Sol.	+	Sol.	+		100 +		100 +		100 +
Suds	Sol.	+	Sol.	+	Sol.	+		+						
Sulphuric acid	Sol.	10 -		98 +	Sol.	-		95 +						100 +
Tartaric acid		+	Sol.	10 +	Sol.	+		+		50 +		50 +		50 +
Tetralin		+		-		-		+						
Tincture of iodine		-		+										
Transformer oil		+		/		+		+						
Trichloroethylene		/		/		-		+						
Vaseline		+				+		+						
Vinegar				+		/		-						
Whisky		+		+		+		+						
Wine		+		+		+		+						
Xylol		+		-		-		+						
Zinc chloride		10 /	Sol.	20 +	Sol.	+	Sol.	Sat. +		/		/		/

The data shown in the table are taken from laboratory tests performed on unstrained test samples. It should be considered as purely indicative since material behavior under real working conditions depends on different factors: temperature, concentration of the chemical agent, quick or long-lasting effect of the chemical agent.

LEGEND

+ = Good resistance
 / = Fairly good resistance (limited use depending on working conditions)
 - = Poor resistance (not recommended)
NB. Where tests have not been carried out spaces are left blank.

LIST OF ABBREVIATIONS

Conc. = Concentrated
 Sol. = Solution
 Sat. = Saturated
 Liq. = Liquid

Link-Belt® Klean-Gard™ Bearings

Link-Belt Bearings introduces the ultimate in bearing protection for the food and beverage industry



Two-bolt flange with sealed bearing



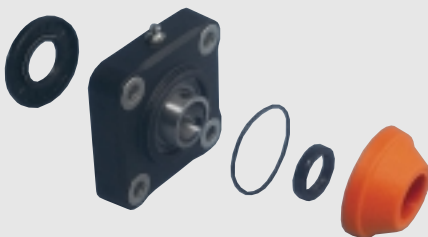
Two-bolt flange with auxiliary seals



Four-bolt flange with auxiliary seals



Pillow block with auxiliary seals



Auxiliary seal arrangement available for field installation if needed

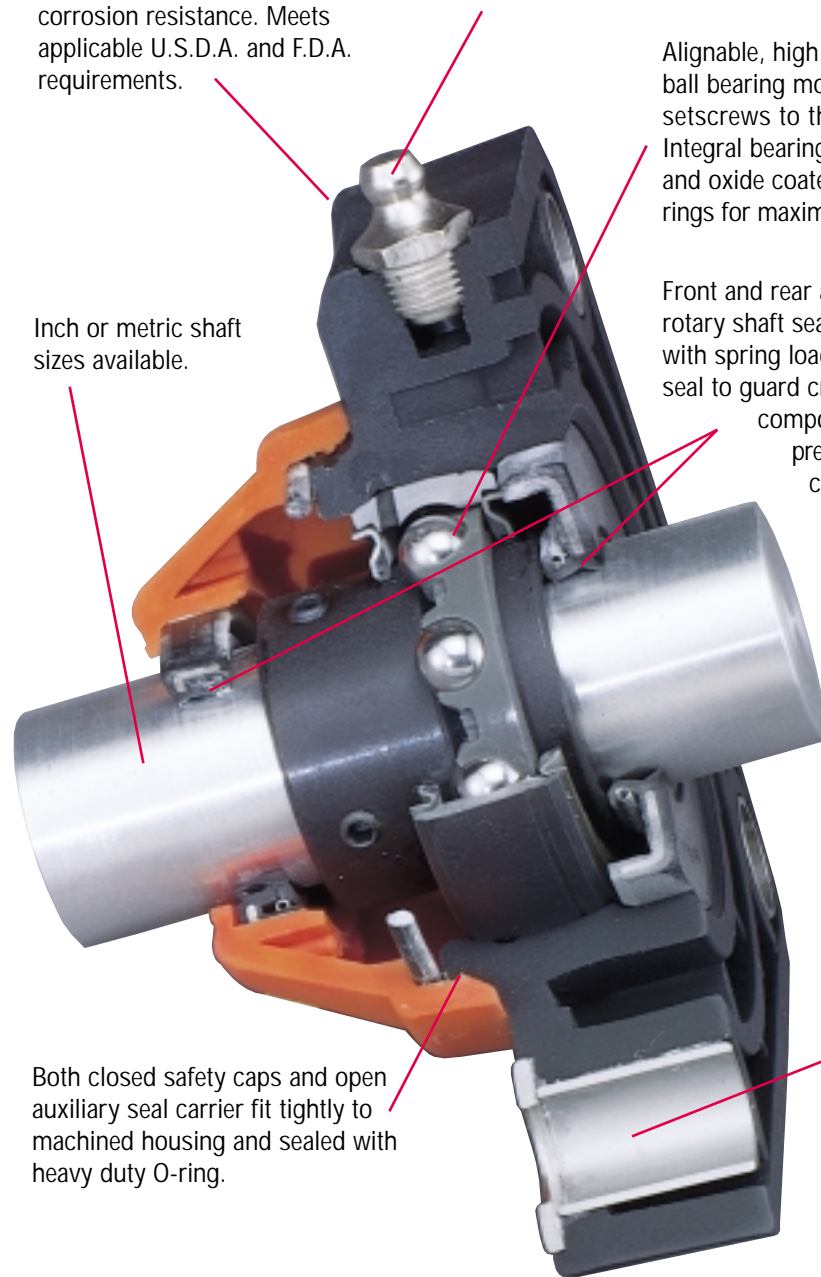
Rugged, reinforced housing material available in Polyamide or Polypropylene for extreme corrosion resistance. Meets applicable U.S.D.A. and F.D.A. requirements.

Corrosion resistant fittings for relubrication. Bearing insert factory prelubricated with food-grade grease.

Alignable, high capacity ball bearing mounted with setscrews to the shaft. Integral bearing lip seals and oxide coated bearing rings for maximum protection.

Front and rear auxiliary rotary shaft seals provided with spring loaded double lip seal to guard critical bearing components and prevent conveyor contamination.

Inch or metric shaft sizes available.



AISI 316 stainless steel spacer bushing and washer for trouble-free, positive mounting.

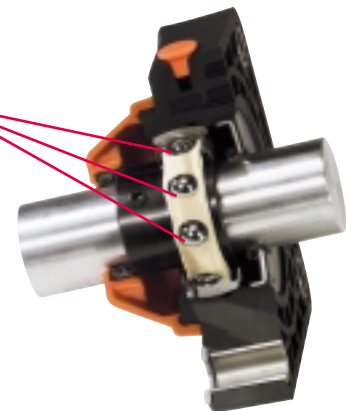
Both closed safety caps and open auxiliary seal carrier fit tightly to machined housing and sealed with heavy duty O-ring.

Klean-Gard with Micropoly®

Klean-Gard bearings filled with Micropoly® are "lubed for life" and never need to be relubricated. Micropoly is an oil-saturated polymer which completely fills the spaces between the balls and races in the bearing insert.

To designate Klean-Gard bearings with Micropoly, add the suffix "40A".

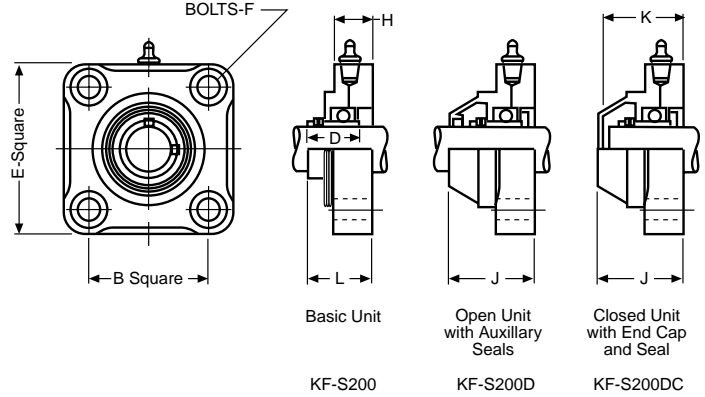
Interchangeable with cast iron units



Corrosion Resistant

Klean-Gard™ Flanged Units
KF-S200, KLF-S200

Reinforced Polyamide or Polypropylene Housing
4-Bolt Mounting
Alignable
Spring Locking
Stainless Steel Bushing and Washers
Prelubricated with Food Grade Grease
Relubricatable
Inner and Outer Rings with Black Oxide Coating



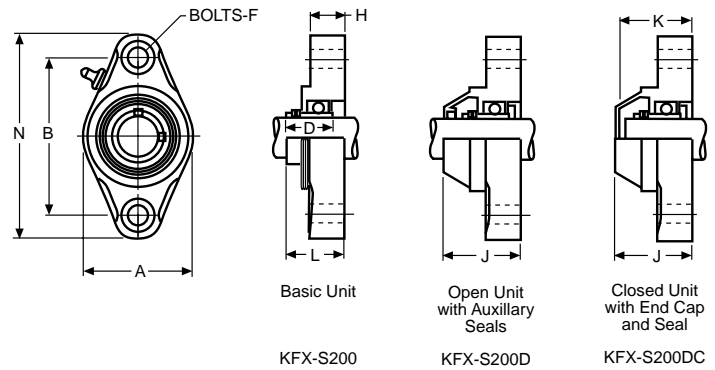
Dimensions (inches/mm)

Shaft Diameter		Flanged Basic Unit Number		B	D	E	F Bolts	H	J	K	L	Replacement Bearing Number
mm	inches	Polyamide	Polypropylene▲									
25	1	KF-S216	KLF-S216	2.756	1 ³ / ₁₆	3 ⁵ / ₆₄	³ / ₈	⁷ / ₈	1 ⁶ / ₆₄	1 ⁷ / ₈	1 ¹ / ₃₂	SG216ELK82/99A
		<i>KF-S2M25</i>	<i>KLF-S2M25</i>	70	30.17	98	10	22.5	49.5	47.5	37.3	<i>SG2M25ELK82/99A</i>
30	1 ³ / ₁₆	KF-S219	KLF-S219	3.268	1 ¹ / ₃₂	4 ² / ₆₄	³ / ₈	1 ¹ / ₆₄	2 ¹ / ₆₄	2 ³ / ₃₂	1 ³ / ₄	SG219ELK82/99A
	1 ¹ / ₄	KF-S2E20	KLF-S2E20	83	34.13	110	10	26	55	53	44.2	SG2E20ELK82/99A
		<i>KF-S2M30</i>	<i>KLF-S2M30</i>									<i>SG2M30ELK82/99A</i>
35	1 ¹ / ₄	KF-S220	KLF-S220	3.622	1 ⁹ / ₁₆	4 ² / ₃₂	³ / ₈	1 ¹ / ₆₄	2 ² / ₆₄	2 ¹ / ₄	1 ⁷ / ₈	SG220ELK82/99A
	1 ³ / ₈	KF-S222	KLF-S222									SG222ELK82/99A
	1 ⁷ / ₁₆	KF-S223	KLF-S223									SG223ELK82/99A
		<i>KF-S2M35</i>	<i>KLF-S2M35</i>	92	39.67	120	10	26	59	57	47.7	<i>SG2M35ELK82/99A</i>
40	1 ¹ / ₂	KF-S224	KLF-S224	4.016	1 ¹ / ₁₆	5 ³ / ₃₂	³ / ₈	1 ³ / ₁₆	2 ³ / ₆₄	2 ¹ / ₃₂	2 ¹ / ₁₆	SG224ELK82/99A
		<i>KF-S2M40</i>	<i>KLF-S2M40</i>	102	42.87	131	10	30	65.5	62.5	52.4	<i>SG2M40ELK82/99A</i>

Corrosion Resistant

Klean-Gard™ Flanged Units
KFX-S200, KLFX-S200

Reinforced Polyamide or Polypropylene Housing
2-Bolt Mounting
Alignable
Spring Locking
Stainless Steel Bushing and Washers
Prelubricated with Food Grade Grease
Relubricatable
Inner and Outer Rings with Black Oxide Coating



Dimensions (inches/mm)

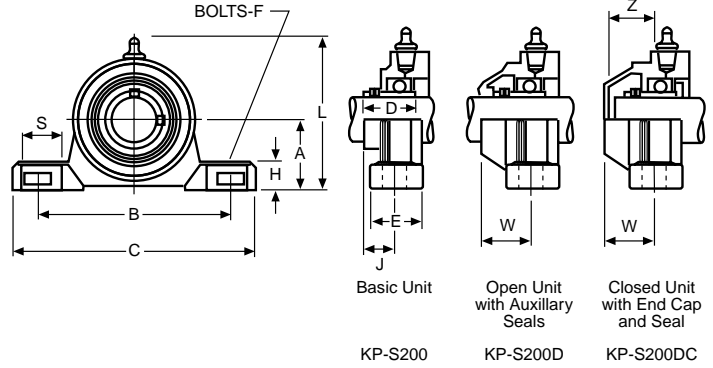
Shaft Diameter		Flanged Basic Unit Number		A	B	D	F Bolts	H	J	K	L	N	Replacement Bearing Number
mm	inches	Polyamide	Polypropylene▲										
20	³ / ₄	KFX-S212	KLFX-S212	2 ⁷ / ₁₆	3.543	1 ¹ / ₈	³ / ₈	5 ¹ / ₆₄	11 ³ / ₁₆	11 ¹ / ₁₆	12 ³ / ₆₄	49 ¹ / ₁₆	SG212ELK82/99A
		<i>KFX-S2M20</i>	<i>KLFX-S2M20</i>	62	90	28.58	10	20	46	43	34.3	116	<i>SG2M20ELK82/99A</i>
25	1	KFX-S216	KLFX-S216	2 ¹ / ₁₆	3.898	1 ³ / ₁₆	³ / ₈	⁷ / ₈	1 ⁶ / ₆₄	1 ⁷ / ₈	1 ¹ / ₃₂	5 ¹ / ₈	SG216ELK82/99A
		<i>KFX-S2M25</i>	<i>KLFX-S2M25</i>	71	99	30.17	10	22.5	49.5	47.5	37.3	130	<i>SG2M25ELK82/99A</i>
30	1 ³ / ₁₆	KFX-S219	KLFX-S219	3 ¹ / ₃₂	4.606	1 ¹ / ₃₂	³ / ₈	1 ¹ / ₆₄	2 ¹ / ₆₄	2 ³ / ₃₂	1 ³ / ₄	5 ⁵ / ₆₄	SG219ELK82/99A
	1 ¹ / ₄	KFX-S2E20	KLFX-S2E20										SG2E20ELK82/99A
		<i>KFX-S2M30</i>	<i>KLFX-S2M30</i>										85
35	1 ¹ / ₄	KFX-S220	KLFX-S220	3 ² / ₃₂	5.118	1 ¹ / ₁₆	³ / ₈	1 ¹ / ₆₄	2 ² / ₆₄	2 ¹ / ₄	1 ⁷ / ₈	6 ³ / ₈	SG220ELK82/99A
	1 ³ / ₈	KFX-S222	KLFX-S222										SG222ELK82/99A
	1 ⁷ / ₁₆	KFX-S223	KLFX-S223										SG223ELK82/99A
		<i>KFX-S2M35</i>	<i>KLFX-S2M35</i>	93	130	39.67	10	26	59	57	47.7	162	<i>SG2M35ELK82/99A</i>
40	1 ¹ / ₂	KFX-S224	KLFX-S224	4 ¹ / ₆₄	5.672	1 ¹ / ₁₆	³ / ₈	1 ³ / ₁₆	2 ³ / ₆₄	2 ¹ / ₃₂	2 ¹ / ₁₆	6 ³ / ₁₆	SG224ELK82/99A
		<i>KFX-S2M40</i>	<i>KLFX-S2M40</i>	102	144	42.87	10	30	65.5	62.5	52.4	176	<i>SG2M40ELK82/99A</i>

See footnotes and Housing Load Ratings on facing page.

Corrosion Resistant

Klean-Gard™ Pillow Block KP-S200, KLP-S200

Reinforced Polyamide or Polypropylene Housing
Alignable
Spring Locking
Stainless Steel Bushing and Washers
Prelubricated with Food Grade Grease
Relubricatable
Inner and Outer Rings with Black Oxide Coating



Dimensions (inches/mm)

Shaft Diameter		Pillow Block Basic Number		A	B	C	D	E	F	H	J	L	S	W	Z	Replacement Bearing Number
mm	inches	Polyamide	Polypropylene▲	Bolts												
20	3/4	KP-S212	KLP-S212	1 5/16	3 25/32	5 1/32	1 1/8	1 3/16	3/8	43/64	3/4	3 1/32	7/8	17/32	1 1/8	SG212ELK82/99A
		KP-S2M20	KLP-S2M20	33.3	96	128	28.58	30	10	17	19	77	22	30.8	28.8	SG2M20ELK82/99A
25	1	KP-S216	KLP-S212.6	1 7/16	4 1 1/64	5 3 1/64	1 3 1/16	1 2 3/64	3/8	43/64	1 3 1/16	3 1 1/32	7/8	1 9 1/32	1 1 3/64	SG216ELK82/99A
		KP-S2M25	KLP-S2M25	36.5	106.0	140.0	30.17	34.5	10	17	20.6	85	22.0	32.7	30.7	SG2M25ELK82/99A
30	1 3/16	KP-S219	KLP-S219	1 1 1/16	4 49/64	6 27/64	1 1 1/32	1 2 7/64	1/2	25/32	6 1/64	3 55/64	1 5/16	1 3/8	1 1 9/64	SG219ELK82/99A
		KP-S2E20	KLP-S2E20	42.9	121.0	163.0	34.13	36	12	20	24.2	98	24.0	35	33	SG2E20ELK82/99A
		KP-S2M30	KLP-S2M30	108	240	312	87.13	90	30	40	50.2	198	24.0	35	33	SG2M30ELK82/99A
35	1 1/4	KP-S220	KLP-S220	1 7/8	4 3 1/32	6 3 7/64	1 9 1/16	1 3 3/64	1/2	25/32	1 7/64	4 1/4	1 5/16	1 9 1/16	1 1 5/32	SG220ELK82/99A
		KP-S222	KLP-S222	47.6	126.0	167.0	39.67	38.6	12	20	28.2	108	24.0	39.5	37.5	SG222ELK82/99A
		KP-S223	KLP-S223	108	240	312	87.13	90	30	40	50.2	198	24.0	39.5	37.5	SG223ELK82/99A
40	1 1/2	KP-S2M35	KLP-S2M35	47.6	126.0	167.0	39.67	38.6	12	20	28.2	108	24.0	39.5	37.5	SG2M35ELK82/99A
		KP-S224	KLP-S224	2	5 1 1/32	7 9 1/32	1 1 1/16	1 3 3/64	1/2	25/32	1 1 3/64	4 1 3/32	1 5/16	1 1 1/64	1 1/8	SG224ELK82/99A
40	1 1/2	KP-S2M40	KLP-S2M40	50.8	136	185	42.87	38.6	12	20	30.6	112	24	41.6	39.6	SG2M40ELK82/99A

Bold face items are normally available from stock; please consult for availability of non-stock items.

Lubrication fitting tap size, Rp 1/8 parallel thread per ISO 7/1 latest revision. **Note:** 1/8" PT external thread will not fit.

▲ Furnished with Viton seals and O-ring and AISI 316 stainless steel bushings and washers. Now available only in white.

NEW – Available July 1998

Shaft Size in-mm	BEARING LOAD RATINGS*		MAXIMUM RECOMMENDED EQUIVALENT RADIAL LOAD*	MAXIMUM RECOMMENDED AXIAL LOAD (1)
	Dynamic C	Static Co	P _E	F _a
3/4" 20mm	2210 lb 9830 N	1280 lb 5700 N	332 lb 1475 N	175 lb 778 N
1" 25mm	2430 lb 10810 N	1530 lb 6810 N	365 lb 1622 N	175 lb 778 N
1 3/16", 1 1/4" 30mm	3380 lb 15030 N	2200 lb 9790 N	507 lb 2254 N	330 lb 1468 N
1 1/4", 1 3/8", 1 7/16" 35mm	4470 lb 19880 N	2990 lb 13300 N	670 lb 2982 N	330 lb 1468 N
1 1/2" 40mm	5640 lb 25100 N	3870 lb 17200 N	846 lb 3765 N	500 lb 2224 N

WHEN ORDERING, PLEASE SPECIFY HOUSING MATERIAL:



POLYAMIDE HOUSING (BLACK)



POLYPROPYLENE HOUSING (WHITE)

* For equivalent radial load and bearing life calculations refer to Link-Belt® Bearing catalog 3000, section B, pages 9 thru 12. If actual bearing load exceeds maximum recommended equivalent radial load or impact loading will occur, consult Link-Belt Bearing Division, Rexnord Corporation. Housing should not be used under tension loads. For this reason, pillow blocks are designed to withstand loads directed into the base. Polyamide and Polypropylene housing strength exceeds maximum recommended equivalent radial load. (1) Values based on set screw holding capacity for properly tightened set screws. These values may be used in design, as a safety factor has been applied.

Rexnord Products for the Food and Beverage Industry



- Rex® TableTop® and MatTop® chains and sprockets
- Link-Belt nickel plated and nylon coated bearings
- Link-Belt stainless steel take-ups
- Marbett® conveyor accessories
- Link-Belt® Speed Reducers

Worldwide Sales and Service

International

AUSTRALIA

Rexnord Australia Pty. Ltd.
P.O. Box 304
Padstow, N.S.W. 2211
Australia
Telephone: 61-2-9773-0575
Fax: 61-2-9774-5514

BRAZIL

Rexnord Correntes Ltda.
Caixa Postal, 290
93001 Sao Leopoldo – RS
Brazil
Telephone: 55-51-588-3000
Fax: 55-51-588-1334

EUROPE

Rexnord PT
Rexnord Belgium N.V.
Airport Ring Center
Maalbeekweg 17
1930 Zaventem
Belgium
Telephone: 32-2-725-4060
Fax: 32-2-720-1023

LATIN AMERICA (MIAMI)

Rexnord International Inc.
7200 NW 19th Street
Suite 202
Miami, FL 33126, USA
Telephone: 305/592-4367
Fax: 305/592-5384

MEXICO

Cadenas y Componentes
Rexnord, S.A. de C.V.
Boulevard Bernardo
Quintano 155-Segundo Nivel
Querétaro, Qro. 76060
México
Telephone: 52-42-23-51-99
Fax: 52-42-23-51-37

SINGAPORE

Rexnord International Inc.
36 Purvis Street
#02-01/04
Singapore 188613
Telephone: 65-338-5622
Fax: 65-338-5422

Canada

ALBERTA

9783 – 45 Avenue
Edmonton, Alberta
T6E 5V8
Telephone: 403/463-9444
Fax: 403/450-4973

BRITISH COLUMBIA

4211 Kingsway, Ste. 204
Burnaby, British Columbia
V5H 1Z6
Telephone: 604/435-5000
Fax: 604/435-6516

ONTARIO

81 Maybrook Drive
Scarborough, Ontario
M1V 3Z2
Telephone: 416/297-6868
Fax: 416/297-6873

QUEBEC

9255 Cote de Liesse Rd.
Dorval, Quebec
H9P 2N9
Telephone: 514/631-4444
Fax: 514/631-9163

U.S. Sales Offices

ATLANTA

2300 Lake Park Drive – #150
Smyrna, GA 30080
Telephone: 770/431-7300
Fax: 770/431-7298

BIRMINGHAM

3100 Lorna Road, Suite 200
Birmingham, AL 35216
Telephone: 205/822-7708
Fax: 205/979-0010

CHICAGO

2232 Wisconsin Avenue
Downers Grove, IL 60515
Telephone: 630/968-7553
Fax: 630/810-1081

CINCINNATI

8040 Hosbrook Rd. – #202
Cincinnati, OH 45236-2908
Telephone: 513/791-0601
Fax: 513/792-8793

HOUSTON

17171 Park Row – #150
Houston, TX 77084-4927
Telephone: 281/398-9570
Fax: 281/398-9569

KANSAS CITY

9225 Ward Parkway – #115
Kansas City, MO 64114-3324
Telephone: 816/361-8889
Fax: 816/523-5403

LOS ANGELES

444 E. Huntington Dr., Suite 208
Arcadia, CA 91006-3768
Telephone: 626/294-2310
Fax: 626/294-2314

MILWAUKEE

4601-D W. Greenfield Ave.
Milwaukee, WI 53214
Telephone: 414/643-2410
Fax: 414/643-2430

PHILADELPHIA

1004 W. Ninth Avenue
Continental Plaza
King of Prussia, PA 19406-1205
Telephone: 610/962-9980
Fax: 610/962-9984

ROANOKE

2715 Brambleton Ave. S.W.
Roanoke, VA 24015
Telephone: 540/772-0451
Fax: 540/772-3328

SEATTLE

33305 1st Way So. – #103
Federal Way, WA 98003
Telephone: 253/927-6609
Fax: 253/927-6832

U.S. Service Centers

ATLANTA

2300 Lake Park Drive – #150
Smyrna, GA 30080
Telephone: 770/431-7200
Fax: 770/431-7299

COLUMBUS

4040 Fondorf Drive
P.O. Box 28502
Columbus, OH 43228-1026
Telephone: 614/276-7235
Fax: 614/276-1137

DALLAS

1217 Corporate Drive West
Arlington, TX 76006-6103
Telephone: 817/640-3332
Fax: 817/640-8704

FRESNO

1080 W. Sierra Avenue
Suite 102
Fresno, CA 93711-2063
Telephone: 209/435-1111
Fax: 209/439-6887

Stocking Warehouse

HOUSTON

9364 Wallisville Rd. – Suite 198
Houston, TX 77013
Telephone: 713/678-7200
Fax: 713/678-8640



Rexnord Corporation
Link-Belt Bearing Division
7601 Rockville Road
Indianapolis, Indiana 46214
Phone (317) 273-5500
Fax (317) 273-5620

