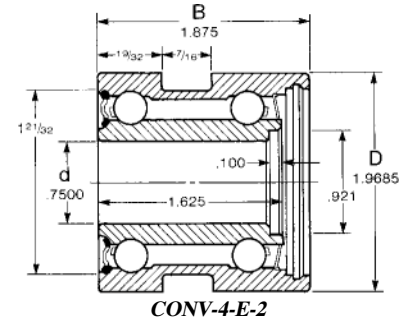
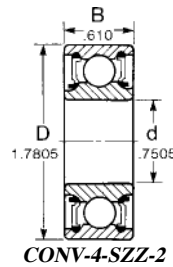
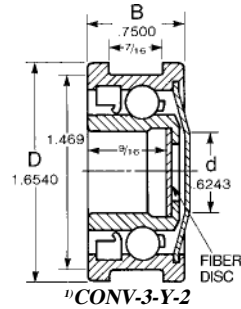
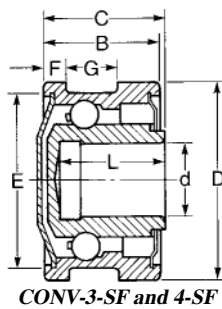


Conveyor roll ball bearings are offered for use in either inboard or outboard roll applications. Some types are designed for mounting directly into a roll, others are designed with a milled slot in the outer ring for simplified bracket mounting. Seals in the permanently lubricated bearing types retain lubricant for the life of the bearing, and protect against entrance of foreign matter. Maximum adjustment for belt alignment is provided, resulting in less belt wear. Cadmium-plated outer rings are supplied, except in CONV-3-Y-2 and CONV-4SZZ-2.



MRC Bearing Number	Dimensions in Inches								Approx. Weight lb.	Basic Radial Load Rating			
										Dynamic C ²⁾		Static C ₀	
	d	D	B	C	L	E	F	G		N	lbf	N	lbf
CONV-3-SF	.6243	1.6540	.9688	1.000	7/16	1.469	3/16	7/16	.37	5 920	1 330	4 000	899
CONV-4-SF	.7874	1.9685	1.0000	1.0625	29/32	1.781	9/32	7/16	.55	13 500	3 030	11 400	2 560
CONV-4-SZZ2	.7505	1.7805	.610	—	—	—	—	—	.22	13 500	3 030	11 400	2 560
CONV-3-Y-2	All dimensions shown in drawings above								.27	5 920	1 330	4 000	899
CONV-4-E-2	All dimensions shown in drawings above								.91	13 500	3 030	11 400	2 560

¹⁾ CONV-3-Y-4 also available. Same as CONV-3-Y-2 except cadmium-plated outer ring and shield. May be substituted for CONV-3-Y-2.

²⁾ Rating for one million revolutions or 500 hours at 33 1/3 RPM.