

INCH SERIES BALL BEARINGS

Radial Bearings
[Bore sizes .5000-1.5000 inches 11](#)

Torque Tube Radial Bearings
[Bore sizes .6250-3.0625 inches 12](#)

Torque Tube Angular Contact Bearings
[Bore sizes .6250-3.0625 inches 13](#)

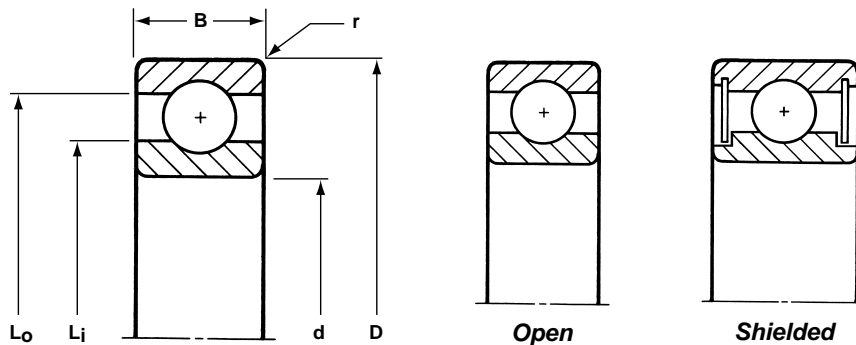
Thinex Radial Bearings
[Bore sizes .8750-4.0000 inches 14](#)

Thinex Angular Contact Bearings
[Bore sizes .8750-4.0000 inches 15](#)





Radial Bearings



Notes:

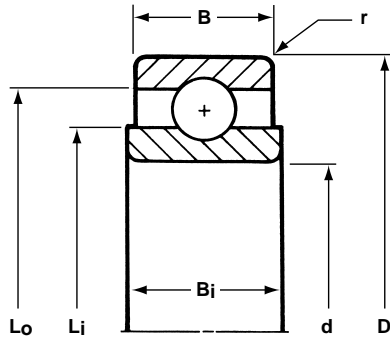
1. Radial inch series typically manufactured from 440C stainless steel.
2. Load ratings shown are for 52100 material.
3. For part numbers -2258 and -2634, ABEC 3P, 5P and 7P apply. For all others, ABEC 3, 5, and 7 apply.
4. Fillet Radius (r)=maximum shaft or housing fillet radius that bearing corners will clear.

BASIC P/N	BORE d		O.D. D		WIDTH B				LAND DIAMETER (REFERENCE)		FILLET RADIUS r	BALL COMPLEMENT		LOAD RATINGS LBS	
	INCH	mm	INCH	mm	OPEN		SHIELDED		Lj	Lo	INCH	NO.	SIZE INCH	DYN C	STATIC Co
					INCH	mm	INCH	mm							
RI-1812	.5000	12.700	1.1250	28.575	.2500	6.350	.3125	7.938	.701	.913	.016	9	5/32	880	440
RI-2258	.6250	15.875	1.3750	34.925	.2812	7.142	.3438	8.732	.868	1.132	.031	8	7/32	1500	740
RI-2634	.7500	19.050	1.6250	41.275	.3125	7.938	.4375	11.112	1.037	1.338	.031	8	1/4	1900	980
RI-3078	.8750	22.225	1.8750	47.625	.3750	9.525	.5000	12.700	1.225	1.526	.031	10	1/4	2200	1300
RI-3216	1.0000	25.400	2.0000	50.800	.3750	9.525	.5000	12.700	1.312	1.688	.031	9	5/16	3100	1750
RI-3418	1.1250	28.575	2.1250	53.975	.3750	9.525	.5000	12.700	1.456	1.794	.031	11	9/32	2950	1800
RI-3620	1.2500	31.750	2.2500	57.150	.3750	9.525	.5000	12.700	1.580	1.919	.031	11	9/32	2900	1850
RI-4224	1.5000	38.100	2.6250	66.675	.4375	11.112	.5625	14.288	1.856	2.269	.031	11	11/32	4200	2750

The HiTech Division has the ability to design and manufacture custom-engineered product with an outside diameter of up to 12". Please contact HiTech's sales or engineering groups for assistance with specific application requirements.

INCH SERIES BALL BEARINGS

Torque Tube Radial Bearings



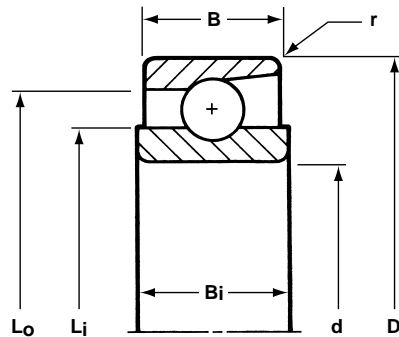
Notes:

1. Torque Tube Radial ball bearings typically manufactured from 440C stainless steel.
2. Load ratings shown are for 52100 material.
3. Fillet Radius (r)=maximum shaft or housing fillet radius that bearing corners will clear.
4. Standard retainer is a phenolic crown. Please check with NHBB for availability of other retainer options.
5. ABEC 5T is standard. 7T tolerances also available.

BASIC P/N	BORE d		O.D. D		WIDTH				LAND DIAMETER (REFERENCE)		FILLET RADIUS r	BALL COMPLEMENT		LOAD RATINGS LBS	
	INCH	mm	INCH	mm	INNER B _i		OUTER B		L _i	L _o		NO.	SIZE INCH	DYN C	STATIC C _o
					INCH	mm	INCH	mm			INCH				
RI-538	.6250	15.875	1.0625	26.988	.2812	7.142	.2500	6.350	.773	.933	.015	12	1/8	700	400
RI-539	.7500	19.050	1.1875	30.162	.2812	7.142	.2500	6.350	.894	1.054	.015	12	1/8	680	410
RI-540	.8750	22.225	1.3125	33.338	.2812	7.142	.2500	6.350	1.019	1.179	.015	14	1/8	740	490
RI-541	1.0625	26.988	1.5000	38.100	.2812	7.142	.2500	6.350	1.210	1.370	.015	16	1/8	780	570
RI-542	1.3125	33.338	1.7500	44.450	.2812	7.142	.2500	6.350	1.460	1.620	.015	18	1/8	810	630
RI-543	1.5625	39.688	2.0000	50.800	.2812	7.142	.2500	6.350	1.706	1.866	.015	25	1/8	970	860
RI-544	1.8125	46.038	2.2500	57.150	.2812	7.142	.2500	6.350	1.947	2.116	.015	29	1/8	1030	990
RI-545	2.0625	52.388	2.6250	66.675	.2812	7.142	.2500	6.350	2.260	2.434	.015	32	1/8	1070	1100
RI-546	2.3125	58.738	2.8750	73.025	.2812	7.142	.2500	6.350	2.513	2.674	.015	34	1/8	1100	1150
RI-547	2.5625	65.088	3.2500	82.550	.3750	9.525	.3120	7.925	2.793	3.019	.015	26	3/16	2050	2050
RI-548	2.8125	71.438	3.5000	88.900	.3750	9.525	.3120	7.925	3.043	3.269	.015	28	3/16	2150	2200
RI-549	3.0625	77.788	3.8750	98.425	.3750	9.525	.3120	7.925	3.356	3.582	.015	32	3/16	2250	2500



Torque Tube Angular Contact Bearings



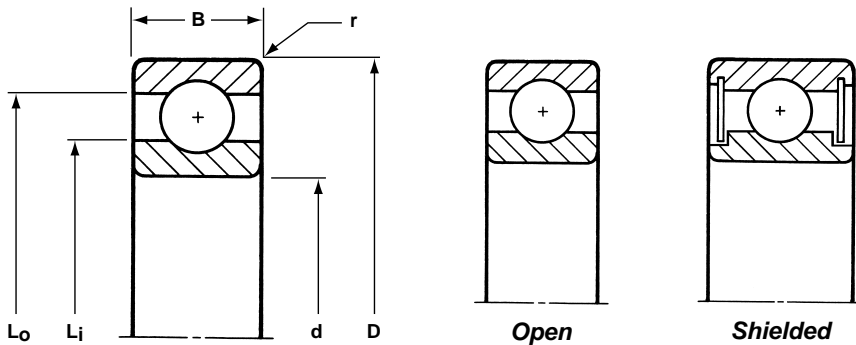
Notes:

1. Torque Tube Angular Contact ball bearings typically manufactured from 440C stainless steel.
2. Load ratings shown are for 52100 material.
3. Part numbers listed are with outer-ring relieved configuration. Other design options are available.
4. Fillet Radius (r)=maximum shaft or housing fillet radius that bearing corners will clear.
5. Standard retainer is a one-piece phenolic. Please check with NHBB for availability of other retainer options.
6. ABEC 5T is standard. 7T tolerances also available.

BASIC P/N	BORE d		O.D. D		WIDTH				LAND DIAMETER (REFERENCE)		FILLET RADIUS r	BALL COMPLEMENT		LOAD RATINGS LBS	
	INCH	mm	INCH	mm	INNER B _i		OUTER B		L _i	L _o	INCH	NO.	SIZE INCH	DYN C	STATIC C _o
					INCH	mm	INCH	mm							
MERI-538	.6250	15.875	1.0625	26.988	.2812	7.142	.2500	6.350	.773	.933	.015	16	1/8	840	530
MERI-539	.7500	19.050	1.1875	30.162	.2812	7.142	.2500	6.350	.894	1.054	.015	18	1/8	890	610
MERI-540	.8750	22.225	1.3125	33.338	.2812	7.142	.2500	6.350	1.019	1.179	.015	20	1/8	940	700
MERI-541	1.0625	26.988	1.5000	38.100	.2812	7.142	.2500	6.350	1.210	1.370	.015	24	1/8	1050	850
MERI-542	1.3125	33.338	1.7500	44.450	.2812	7.142	.2500	6.350	1.460	1.620	.015	28	1/8	1100	980
MERI-543	1.5625	39.688	2.0000	50.800	.2812	7.142	.2500	6.350	1.706	1.866	.015	34	1/8	1200	1150
MERI-544	1.8125	46.038	2.2500	57.150	.2812	7.142	.2500	6.350	1.947	2.116	.015	38	1/8	1250	1300
MERI-545	2.0625	52.388	2.6250	66.675	.2812	7.142	.2500	6.350	2.260	2.434	.015	44	1/8	1300	1500
MERI-546	2.3125	58.738	2.8750	73.025	.2812	7.142	.2500	6.350	2.513	2.674	.015	48	1/8	1350	1600
MERI-547	2.5625	65.088	3.2500	82.550	.3750	9.525	.3120	7.925	2.793	3.019	.015	36	3/16	2550	2850
MERI-548	2.8125	71.438	3.5000	88.900	.3750	9.525	.3120	7.925	3.043	3.269	.015	39	3/16	2650	3050
MERI-549	3.0625	77.788	3.8750	98.425	.3750	9.525	.3120	7.925	3.356	3.582	.015	42	3/16	2700	3250

INCH SERIES BALL BEARINGS

Thinex Radial Bearings



Notes:

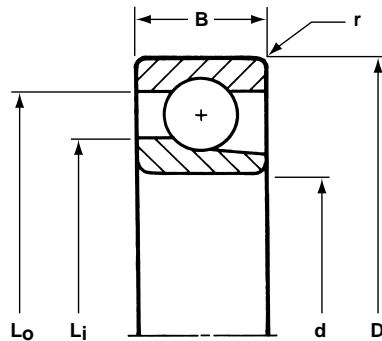
1. Radial thinex ball bearings typically manufactured from 440C stainless steel.
2. Load ratings shown are for 52100 material.
3. NHBB typically manufactures this series to ABEC 5T and 7T tolerances.
4. Fillet Radius (r)=maximum shaft or housing fillet radius that bearing corners will clear.

BASIC P/N	BORE d		O.D. D		WIDTH B				LAND DIAMETER (REFERENCE)		FILLET RADIUS r	BALL COMPLEMENT		LOAD RATINGS LBS	
	INCH	mm	INCH	mm	OPEN		SHIELDED		Li	Lo		NO.	SIZE INCH	DYN C	STATIC Co
					INCH	mm	INCH	mm	INCH	INCH					
RI-1878	.8750	22.225	1.1250	28.575	.1562	3.967	.1960	4.978	.961	1.049	.010	24	1/16	165	129
RI-2117	1.0625	26.988	1.3125	33.338	.1562	3.967	.1960	4.978	1.144	1.231	.010	28	1/16	175	153
RI-2420	1.2500	31.750	1.5000	38.100	.1562	3.967	.1960	4.978	1.320	1.402	.010	32	1/16	185	177
RI-2622	1.3750	34.925	1.6250	41.275	.1562	3.967	.1960	4.978	1.457	1.543	.010	36	1/16	195	200
RI-2824	1.5000	38.100	1.7500	44.450	.1562	3.967	.1960	4.978	1.582	1.667	.010	38	1/16	199	212
RI-3026	1.6250	41.275	1.8750	47.625	.1562	3.967	.1960	4.978	1.707	1.793	.010	42	1/16	208	235
RI-4032	2.0000	50.800	2.5000	63.500	.2500	6.350	-	-	2.175	2.325	.025	30	1/8	1050	1000
RI-4232	2.0000	50.800	2.6250	66.675	.3125	7.938	-	-	2.219	2.406	.040	25	5/32	1450	1350
RI-4840	2.5000	63.500	3.0000	76.200	.2500	6.350	-	-	2.675	2.825	.025	36	1/8	1100	1200
RI-5040	2.5000	63.500	3.1250	79.375	.3125	7.938	-	-	2.719	2.901	.040	30	5/32	1550	1600
RI-5648	3.0000	76.200	3.5000	88.900	.2500	6.350	-	-	3.175	3.325	.025	43	1/8	1200	1450
RI-5848	3.0000	76.200	3.6250	92.075	.3125	7.938	-	-	3.219	3.406	.040	35	5/32	1650	1850
RI-6456	3.5000	88.900	4.0000	101.600	.2500	6.350	-	-	3.675	3.825	.025	49	1/8	1250	1600
RI-6656	3.5000	88.900	4.1250	104.775	.3125	7.938	-	-	3.719	3.906	.040	40	5/32	1750	2100
RI-7264	4.0000	101.600	4.5000	114.300	.2500	6.350	-	-	4.175	4.325	.025	55	1/8	1300	1800
RI-7464	4.0000	101.600	4.6250	117.475	.3125	7.938	-	-	4.219	4.406	.040	45	5/32	1800	2350

The HiTech Division has the ability to design and manufacture custom-engineered product with an outside diameter of up to 12". Please contact HiTech's sales or engineering groups for assistance with specific application requirements.



Thinex Angular Contact Bearings



Notes:

1. Angular contact thinex ball bearings typically manufactured from 440C stainless steel.
2. Load ratings shown are for 52100 material.
3. NHBB typically manufactures this series to ABEC 5T and 7T tolerances.
4. Part numbers listed are with inner-ring relieved configuration. Other design options are available.
5. Fillet Radius (r)=maximum shaft or housing fillet radius that bearing corners will clear.
6. Consult NHBB for shielded designs.

BASIC P/N	BORE d		O.D. D		WIDTH B				LAND DIAMETER (REFERENCE)		FILLET RADIUS r	BALL COMPLEMENT		LOAD RATINGS LBS	
	INCH	mm	INCH	mm	OPEN		SHIELDED		Li	Lo	INCH	NO.	SIZE INCH	DYN C	STATIC Co
					INCH	mm	INCH	mm	INCH	INCH					
MDRI-1878	.8750	22.225	1.1250	28.575	.1562	3.967	.1960	4.978	.961	1.049	.010	32	1/16	200	172
MDRI-2117	1.0625	26.988	1.3125	33.338	.1562	3.967	.1960	4.978	1.144	1.231	.010	38	1/16	215	208
MDRI-2420	1.2500	31.750	1.5000	38.100	.1562	3.967	.1960	4.978	1.320	1.402	.010	44	1/16	228	243
MDRI-2622	1.3750	34.925	1.6250	41.275	.1562	3.967	.1960	4.978	1.457	1.543	.010	49	1/16	240	272
MDRI-2824	1.5000	38.100	1.7500	44.450	.1562	3.967	.1960	4.978	1.582	1.667	.010	53	1/16	248	296
MDRI-3026	1.6250	41.275	1.8750	47.625	.1562	3.967	.1960	4.978	1.707	1.793	.010	57	1/16	255	319
MDRI-4032	2.0000	50.800	2.5000	63.500	.2500	6.350	-	-	2.175	2.325	.025	42	1/8	1300	1400
MDRI-4232	2.0000	50.800	2.6250	66.675	.3125	7.938	-	-	2.219	2.406	.040	34	5/32	1800	1850
MDRI-4840	2.5000	63.500	3.0000	76.200	.2500	6.350	-	-	2.675	2.825	.025	52	1/8	1400	1750
MDRI-5040	2.5000	63.500	3.1250	79.375	.3125	7.938	-	-	2.719	2.901	.040	42	5/32	1950	2250
MDRI-5648	3.0000	76.200	3.5000	88.900	.2500	6.350	-	-	3.175	3.325	.025	62	1/8	1500	2050
MDRI-5848	3.0000	76.200	3.6250	92.075	.3125	7.938	-	-	3.219	3.406	.040	50	5/32	2100	2650
MDRI-6456	3.5000	88.900	4.0000	101.600	.2500	6.350	-	-	3.675	3.825	.025	70	1/8	1550	2300
MDRI-6656	3.5000	88.900	4.1250	104.775	.3125	7.938	-	-	3.719	3.906	.040	58	5/32	2200	3050
MDRI-7264	4.0000	101.600	4.5000	114.300	.2500	6.350	-	-	4.175	4.325	.025	80	1/8	1650	2650
MDRI-7464	4.0000	101.600	4.6250	117.475	.3125	7.938	-	-	4.219	4.406	.040	66	5/32	2350	3450

The HiTech Division has the ability to design and manufacture custom-engineered product with an outside diameter of up to 12". Please contact HiTech's sales or engineering groups for assistance with specific application requirements.