

Standard metric series radial bearings carry moderate radial and thrust loads at low operating torque and provide high performance within small envelope designs. Stainless steel or chrome steel bearings are available with crown or ribbon type metallic cages. Open or shielded bearings may be flanged or unflanged. Various types of seals may be specified depending upon the anticipated environment to which the bearings will be exposed. (See Engineering Section for seal information)

Metric Series Bearings

L SERIES

Radial open and flanged open bearings 3-2

Bore sizes: 1.0-10.0mm

Radial shielded and flanged shielded bearings 3-4

Bore sizes: 2.0-10.0mm

R SERIES

Radial open and flanged open bearings 3-6

Bore sizes: 1.5-8.0mm

Radial shielded and flanged shielded bearings 3-8

Bore sizes: 1.5-8.0mm

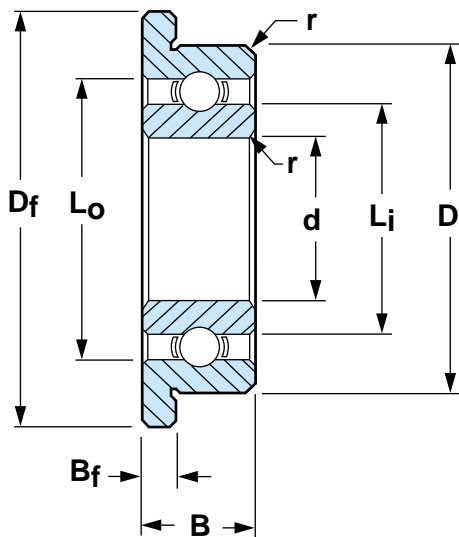
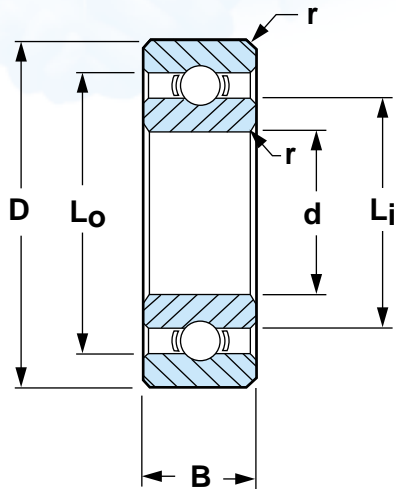
600/6000 SERIES

Radial open and shielded bearings 3-10

Bore sizes: 5-10mm

RADIAL OPEN AND FLANGED OPEN BEARINGS

FLANGED OPEN BEARINGS



BORE d		O.D. D		WIDTH B		*BASIC NUMBER
MM	INCH	MM	INCH	MM	INCH	
1.0	.0394	3.0	.1181	1.0	.0394	DDL-310
1.5	.0591	4.0	.1575	1.2	.0472	DDL-415
2.0	.0787	5.0	.1969	1.5	.0591	DDL-520
2.5	.0984	6.0	.2362	1.8	.0709	DDL-625
3.0	.1181	6.0	.2362	2.0	.0787	DDL-630
3.0	.1181	7.0	.2756	2.0	.0787	DDL-730
4.0	.1575	7.0	.2756	2.0	.0787	DDL-740
4.0	.1575	8.0	.3150	2.0	.0787	DDL-840
4.0	.1575	9.0	.3543	2.5	.0984	DDL-940
4.0	.1575	10.0	.3937	3.0	.1181	DDL-1040
5.0	.1969	8.0	.3150	2.0	.0787	DDL-850
5.0	.1969	9.0	.3543	2.5	.0984	DDL-950
5.0	.1969	10.0	.3937	3.0	.1181	DDL-1050
5.0	.1969	11.0	.4331	3.0	.1181	DDL-1150
6.0	.2362	10.0	.3937	2.5	.0984	DDL-1060
6.0	.2362	12.0	.4724	3.0	.1181	DDL-1260
6.0	.2362	13.0	.5118	3.5	.1378	DDL-1360
7.0	.2756	11.0	.4331	2.5	.0984	DDL-1170
7.0	.2756	13.0	.5118	3.0	.1181	DDL-1370
7.0	.2756	14.0	.5512	3.5	.1378	DDL-1470
8.0	.3150	12.0	.4724	2.5	.0984	DDL-1280
8.0	.3150	14.0	.5512	3.5	.1378	DDL-1480
8.0	.3150	16.0	.6299	4.0	.1575	DDL-1680
9.0	.3543	17.0	.6693	4.0	.1575	DDL-1790
9.0	.3543	20.0	.7874	6.0	.2362	DDL-2090
10.0	.3937	19.0	.7480	5.0	.1969	DDL-1910

NOTES:

- Basic numbers shown above include code "DD" for NMB developed 400 series Martensitic stainless steel. If chrome steel is desired, delete "DD".
- ABEC 1, 3, 5 and 7 tolerances apply.
- r = Maximum shaft or housing fillet radius that bearing corners will clear.

* "DD" is a trademark of NMB.

** Radial Load ratings shown are for chrome steel.
For stainless steel multiply by 0.8



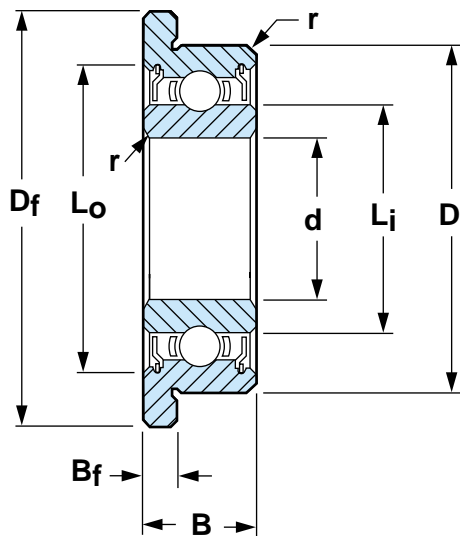
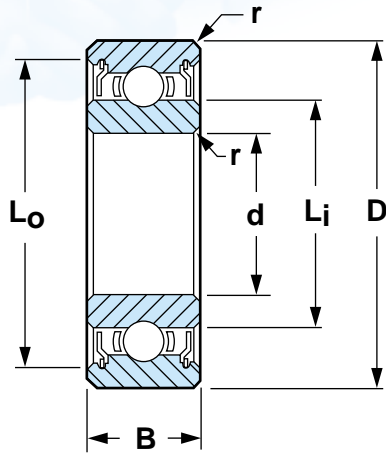
RADIAL OPEN AND FLANGED OPEN BEARINGS

FLANGE DIA. D _f	FLANGE WIDTH B _f	FLANGED *BASIC NUMBER	REFERENCE DIAMETER		FILLET RADIUS r		BALL COMPLEMENT		LOAD RATINGS**				SPEED RATING N _{max} /f _n rpm/1000
			L _i	L _o	MM	INCH	NO. Z	SIZE D _w	Kgs		Lbs		
									DYN. C _r	STATIC C _{or}	DYN. C _r	STATIC C _{or}	
3.8	0.3	DDLDF-310	1.60	2.41	0.05	.002	7	0.5mm	9	3	20	7	193
5.0	0.4	DDLDF-415	2.26	3.25	0.05	.002	7	.635mm	13	4	29	9	140
6.1	0.5	DDLDF-520	2.90	4.04	0.08	.003	7	1/32	19	6	42	13	112
7.1	0.5	DDLDF-625	3.80	4.93	0.08	.003	8	1/32	21	8	46	18	89
7.2	0.6	DDLDF-630	3.80	4.93	0.08	.003	8	1/32	21	8	46	18	89
8.1	0.5	DDLDF-730	4.10	5.83	0.10	.004	7	3/64	40	14	88	31	78
8.2	0.6	DDLDF-740	4.80	5.93	0.08	.003	11	1/32	26	11	57	24	72
9.2	0.6	DDLDF-840	5.20	6.93	0.10	.004	7	3/64	40	15	88	33	64
10.3	0.6	DDLDF-940	5.20	7.48	0.10	.004	7	1/16	66	23	146	51	61
11.2	0.6	DDLDF-1040	5.80	7.96	0.15	.006	8	1/16	73	27	161	60	54
9.2	0.6	DDLDF-850	5.80	6.95	0.08	.003	13	1/32	28	14	62	31	59
10.2	0.6	DDLDF-950	6.00	7.73	0.10	.004	10	3/64	51	21	112	46	56
11.2	0.6	DDLDF-1050	6.40	8.63	0.10	.006	8	1/16	73	29	161	64	52
12.5	0.8	DDLDF-1150	6.40	8.63	0.15	.006	8	1/16	73	29	161	64	48
11.2	0.6	DDLDF-1060	6.95	8.73	0.10	.004	9	3/64	47	20	104	44	49
13.2	0.6	DDLDF-1260	7.70	9.94	0.15	.006	10	1/16	85	37	187	82	43
15.0	1.0	DDLDF-1360	8.00	10.98	0.15	.006	8	2.0mm	111	45	245	99	41
12.2	0.6	DDLDF-1170	8.10	9.83	0.10	.004	9	3/64	46	21	101	46	43
14.2	0.6	DDLDF-1370	8.90	11.13	0.15	.006	11	1/16	90	43	198	95	39
16.0	1.0	DDLDF-1470	9.00	12.03	0.15	.006	9	2.0mm	120	53	265	117	37
13.2	0.6	DDLDF-1280	9.10	10.93	0.10	.004	11	3/64	52	26	115	57	39
15.6	0.8	DDLDF-1480	9.90	12.13	0.15	.006	10	1/16	84	40	185	88	35
18.0	1.0	DDLDF-1680	10.40	13.63	0.20	.008	9	3/32	164	73	362	161	32
19.0	1.0	DDLDF-1790	11.20	14.84	0.20	.008	10	3/32	176	83	388	183	30
—	—	—	12.32	16.68	0.30	.012	9	7/64	217	101	478	223	27
—	—	—	12.32	16.71	0.30	.012	9	7/64	217	101	478	223	27



RADIAL SHIELDED AND FLANGED SHIELDED BEARINGS

RADIAL SHIELDED AND FLANGED SHIELDED BEARINGS



BORE d		O.D. D		WIDTH B		*BASIC NUMBER
MM	INCH	MM	INCH	MM	INCH	
2.0	.0787	5.0	.1969	2.3	.0906	DDL-520
2.5	.0984	6.0	.2362	2.6	.1024	DDL-625
3.0	.1181	6.0	.2362	2.5	.0984	DDL-630
3.0	.1181	7.0	.2756	3.0	.1181	DDL-730
4.0	.1575	7.0	.2756	2.5	.0984	DDL-740
4.0	.1575	8.0	.3150	3.0	.1181	DDL-840
4.0	.1575	9.0	.3543	4.0	.1575	DDL-940
4.0	.1575	10.0	.3937	4.0	.1575	DDL-1040
5.0	.1969	8.0	.3150	2.5	.0984	DDL-850
5.0	.1969	9.0	.3543	3.0	.1181	DDL-950
5.0	.1969	10.0	.3937	4.0	.1575	DDL-1050
5.0	.1969	11.0	.4331	5.0	.1969	DDL-1150
6.0	.2362	10.0	.3937	3.0	.1181	DDL-1060
6.0	.2362	12.0	.4724	4.0	.1575	DDL-1260
6.0	.2362	13.0	.5118	5.0	.1969	DDL-1360
7.0	.2756	11.0	.4331	3.0	.1181	DDL-1170
7.0	.2756	13.0	.5118	4.0	.1575	DDL-1370
7.0	.2756	14.0	.5512	5.0	.1969	DDL-1470
8.0	.3150	12.0	.4724	3.5	.1378	DDL-1280
8.0	.3150	14.0	.5512	4.0	.1575	DDL-1480
8.0	.3150	16.0	.6299	5.0	.1969	DDL-1680
9.0	.3543	17.0	.6693	5.0	.1969	DDL-1790
9.0	.3543	20.0	.7874	6.0	.2362	DDL-2090
10.0	.3937	19.0	.7480	7.0	.2756	DDL-1910

NOTES:

1. Basic numbers shown above include code "DD" for NMB developed 400 series Martensitic stainless steel. If chrome steel is desired, delete "DD".
2. ABEC 1, 3, 5 and 7 tolerances apply.
3. r = Maximum shaft or housing fillet radius that bearing corners will clear.

* "DD" is a trademark of NMB.

** Radial Load ratings shown are for chrome steel.
For stainless steel multiply by 0.8



RADIAL SHIELDED AND FLANGED SHIELDED BEARINGS

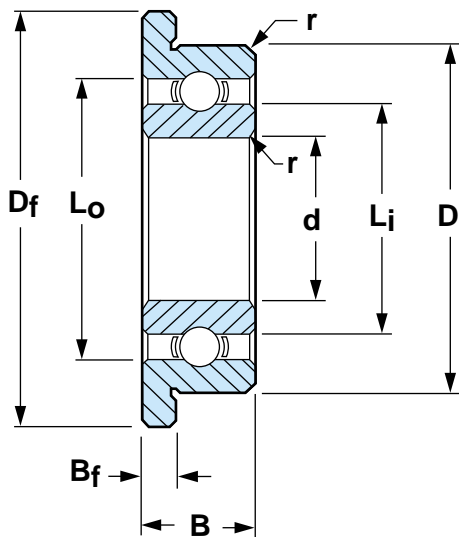
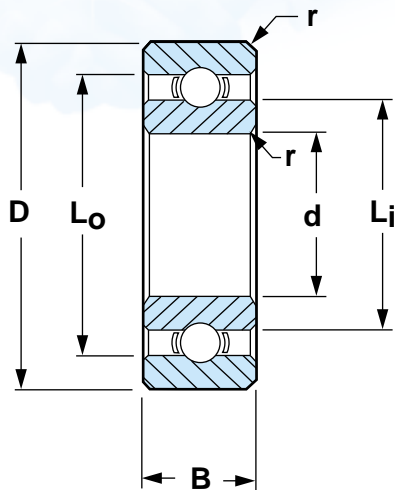
FLANGED SHIELDED BEARINGS

FLANGE DIA. D _f	FLANGE WIDTH B _f	FLANGED *BASIC NUMBER	REFERENCE DIAMETER		FILLET RADIUS r		BALL COMPLEMENT		LOAD RATINGS**				SPEED RATING N _{max} /f _n rpm/1000
			L _i	L _o	MM	INCH	NO. Z	SIZE D _w	Kgs		Lbs		
									DYN. C _r	STATIC C _{or}	DYN. C _r	STATIC C _{or}	
6.1	0.6	DDLDF-520	2.90	4.28	0.08	.003	7	1/32	19	6	42	13	112
7.1	0.8	DDLDF-625	3.80	5.23	0.08	.003	8	1/32	21	8	46	18	89
7.2	0.6	DDLDF-630	3.80	5.23	0.08	.003	8	1/32	21	8	46	18	89
8.1	0.8	DDLDF-730	4.10	6.13	0.10	.004	7	3/64	40	14	88	31	78
8.2	0.6	DDLDF-740	4.80	6.33	0.08	.003	11	1/32	26	11	57	24	72
9.2	0.6	DDLDF-840	5.20	7.24	0.10	.004	7	3/64	40	15	88	33	64
10.3	1.0	DDLDF-940	5.20	7.93	0.10	.004	7	1/16	66	23	146	51	61
11.6	0.8	DDLDF-1040	5.46	8.50	0.15	.006	8	1/16	73	27	161	60	54
9.2	0.6	DDLDF-850	5.80	7.26	0.08	.003	13	1/32	28	14	62	31	59
10.2	0.6	DDLDF-950	6.00	8.04	0.10	.004	10	3/64	51	21	112	46	56
11.6	0.8	DDLDF-1050	6.40	8.94	0.10	.006	8	1/16	73	29	161	64	52
12.5	1.0	DDLDF-1150	6.40	9.54	0.15	.006	8	1/16	73	29	161	64	48
11.2	0.6	DDLDF-1060	6.95	9.04	0.10	.004	9	3/64	47	20	104	44	49
13.6	0.8	DDLDF-1260	7.70	10.48	0.15	.006	10	1/16	85	37	187	82	43
15.0	1.1	DDLDF-1360	7.33	11.44	0.15	.006	8	2.0mm	111	45	245	99	41
12.2	0.6	DDLDF-1170	8.10	10.14	0.10	.004	9	3/64	46	21	101	46	43
14.6	0.8	DDLDF-1370	8.43	11.54	0.15	.006	11	1/16	90	43	198	95	39
16.0	1.1	DDLDF-1470	9.00	12.45	0.15	.006	9	2.0mm	120	53	265	117	37
13.6	0.8	DDLDF-1280	9.10	11.24	0.10	.004	11	3/64	52	26	115	57	39
15.6	0.8	DDLDF-1480	9.90	12.55	0.15	.006	10	1/16	84	40	185	88	35
18.0	1.1	DDLDF-1680	9.68	14.20	0.20	.008	9	3/32	164	73	362	161	32
19.0	1.1	DDLDF-1790	11.20	15.34	0.20	.008	10	3/32	176	83	388	183	30
—	—	—	12.32	17.44	0.30	.012	9	7/64	217	101	478	223	27
—	—	—	12.32	17.44	0.30	.012	9	7/64	217	101	478	223	27



RADIAL OPEN AND FLANGED OPEN BEARINGS

FLANGED OPEN BEARINGS



BORE d		O.D. D		WIDTH B		*BASIC NUMBER
MM	INCH	MM	INCH	MM	INCH	
1.5	.0591	5.0	.1969	2.0	.0787	DDR-515
1.5	.0591	6.0	.2362	2.5	.0984	DDR-615
2.0	.0787	6.0	.2362	2.3	.0906	DDR-620
2.0	.0787	7.0	.2756	2.8	.1102	DDR-720
2.5	.0984	7.0	.2756	2.5	.0984	DDR-725
2.5	.0984	8.0	.3150	2.8	.1102	DDR-825
3.0	.1181	8.0	.3150	3.0	.1181	DDR-830
3.0	.1181	9.0	.3543	3.0	.1181	DDR-930
3.0	.1181	10.0	.3937	4.0	.1575	DDR-1030
4.0	.1575	11.0	.4331	4.0	.1575	DDR-1140
4.0	.1575	12.0	.4724	4.0	.1575	DDR-1240
4.0	.1575	13.0	.5118	5.0	.1969	DDR-1340
4.0	.1575	16.0	.6299	5.0	.1969	DDR-1640
5.0	.1969	13.0	.5118	4.0	.1575	DDR-1350
5.0	.1969	14.0	.5512	5.0	.1969	DDR-1450
5.0	.1969	16.0	.6299	5.0	.1969	DDR-1650
5.0	.1969	19.0	.7480	6.0	.2362	DDR-1950
6.0	.2362	15.0	.5906	5.0	.1969	DDR-1560
6.0	.2362	17.0	.6693	6.0	.2362	DDR-1760
6.0	.2362	19.0	.7480	6.0	.2362	DDR-1960
7.0	.2756	19.0	.7480	6.0	.2362	DDR-1970
7.0	.2756	22.0	.8661	7.0	.2756	DDR-2270
8.0	.3150	19.0	.7480	6.0	.2362	DDR-1980
8.0	.3150	22.0	.8661	7.0	.2756	DDR-2280

NOTES:

1. Basic numbers shown above include code "DD" for NMB developed 400 series Martensitic stainless steel. If chrome steel is desired, delete "DD".
2. ABEC 1, 3, 5 and 7 tolerances apply.
3. r = Maximum shaft or housing fillet radius that bearing corners will clear.

* "DD" is a trademark of NMB.

** Radial Load ratings shown are for chrome steel.
For stainless steel multiply by 0.8



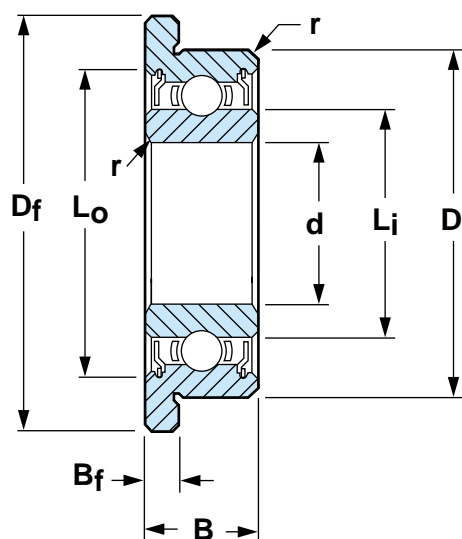
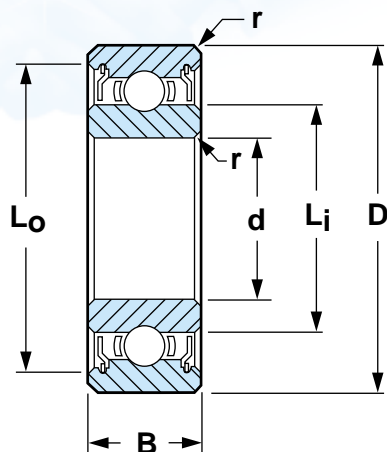
RADIAL OPEN AND FLANGED OPEN BEARINGS

FLANGED OPEN BEARINGS

FLANGE DIA. D _f	FLANGE WIDTH B _f	FLANGED *BASIC NUMBER	REFERENCE DIAMETER		FILLET RADIUS r		BALL COMPLEMENT		LOAD RATINGS**				SPEED RATING N _{max} /f _n rpm/1000
			L _i	L _o	MM	INCH	NO. Z	SIZE D _w	Kgs		Lbs		
									DYN. C _r	STATIC C _{or}	DYN. C _r	STATIC C _{or}	
6.5	0.6	DDRF-515	2.60	3.73	0.15	.006	7	1/32	19	6	42	13	123
7.5	0.6	DDRF-615	2.90	4.73	0.15	.006	6	3/64	33	10	73	22	102
7.5	0.6	DDRF-620	3.16	4.78	0.15	.006	7	1.0mm	29	10	64	22	98
8.5	0.7	DDRF-720	3.80	5.52	0.15	.006	7	3/64	39	13	86	29	83
8.5	0.7	DDRF-725	3.80	5.52	0.15	.006	7	3/64	39	13	86	29	83
9.5	0.7	DDRF-825	4.10	6.53	0.15	.006	6	1/16	57	18	126	40	73
9.5	0.7	DDRF-830	4.10	6.53	0.15	.006	6	1/16	57	18	126	40	73
10.5	0.7	DDRF-930	4.80	7.23	0.15	.006	7	1/16	65	23	143	51	64
11.5	1.0	DDRF-1030	5.08	8.20	0.15	.006	7	1/16	66	23	146	51	61
12.5	1.0	DDRF-1140	6.40	9.53	0.15	.006	8	1/16	73	29	161	115	52
13.5	1.0	DDRF-1240	5.62	9.99	0.20	.008	7	2.0mm	98	36	216	79	48
15.0	1.0	DDRF-1340	5.97	11.20	0.20	.008	7	3/32	134	50	295	110	44
18.0	1.0	DDRF-1640	7.80	13.41	0.30	.012	7	7/64	177	69	390	152	37
15.0	1.0	DDRF-1350	6.60	11.14	0.20	.008	8	2.0mm	110	43	243	95	44
16.0	1.0	DDRF-1450	6.88	12.14	0.20	.008	7	3/32	136	52	300	115	40
18.0	1.0	DDRF-1650	7.80	13.41	0.30	.012	7	7/64	177	69	390	152	37
22.0	1.5	DDRF-1950	8.67	16.26	0.30	.012	6	5/32	287	109	633	240	31
17.0	1.2	DDRF-1560	7.80	13.20	0.15	.006	7	7/64	177	69	390	152	37
19.0	1.2	DDRF-1760	8.22	14.70	0.20	.008	6	3.5mm	231	86	509	190	34
22.0	1.5	DDRF-1960	8.67	16.26	0.30	.012	6	5/32	287	109	633	240	31
—	—	—	9.55	16.24	0.30	.012	7	1/8	229	93	505	205	30
25.0	1.5	DDRF-2270	10.80	18.89	0.30	.012	7	5/32	337	140	743	309	26
22.0	1.5	DDRF-1980	9.55	16.24	0.30	.012	7	1/8	229	89	505	196	30
25.0	1.5	DDRF-2280	10.80	18.89	0.30	.012	7	5/32	337	140	743	309	26



RADIAL SHIELDED AND FLANGED SHIELDED BEARINGS



BORE d		O.D. D		WIDTH B		*BASIC NUMBER
MM	INCH	MM	INCH	MM	INCH	
1.5	.0591	5.0	.1969	2.6	.1024	DDR-515
1.5	.0591	6.0	.2362	3.0	.1181	DDR-615
2.0	.0787	6.0	.2362	3.0	.1181	DDR-620
2.0	.0787	7.0	.2756	3.5	.1378	DDR-720
2.5	.0984	7.0	.2756	3.5	.1378	DDR-725
2.5	.0984	8.0	.3150	4.0	.1575	DDR-825
3.0	.1181	8.0	.3150	4.0	.1575	DDR-830
3.0	.1181	9.0	.3543	5.0	.1969	DDR-930
3.0	.1181	10.0	.3937	4.0	.1575	DDR-1030
4.0	.1575	11.0	.4331	4.0	.1575	DDR-1140
4.0	.1575	12.0	.4724	4.0	.1575	DDR-1240
4.0	.1575	13.0	.5118	5.0	.1969	DDR-1340
4.0	.1575	16.0	.6299	5.0	.1969	DDR-1640
5.0	.1969	13.0	.5118	4.0	.1575	DDR-1350
5.0	.1969	14.0	.5512	5.0	.1969	DDR-1450
5.0	.1969	16.0	.6299	5.0	.1969	DDR-1650
5.0	.1969	19.0	.7480	6.0	.2362	DDR-1950
6.0	.2362	15.0	.5906	5.0	.1969	DDR-1560
6.0	.2362	17.0	.6693	6.0	.2362	DDR-1760
6.0	.2362	19.0	.7480	6.0	.2362	DDR-1960
7.0	.2756	19.0	.7480	6.0	.2362	DDR-1970
7.0	.2756	22.0	.8661	7.0	.2756	DDR-2270
8.0	.3150	19.0	.7480	6.0	.2362	DDR-1980
8.0	.3150	22.0	.8661	7.0	.2756	DDR-2280

NOTES:

1. Basic numbers shown above include code "DD" for NMB developed 400 series Martensitic stainless steel. If chrome steel is desired, delete "DD".
2. ABEC 1, 3, 5 and 7 tolerances apply.
3. r = Maximum shaft or housing fillet radius that bearing corners will clear.

* "DD" is a trademark of NMB.

** Radial Load ratings shown are for chrome steel.
For stainless steel multiply by 0.8



RADIAL SHIELDED AND FLANGED SHIELDED BEARINGS

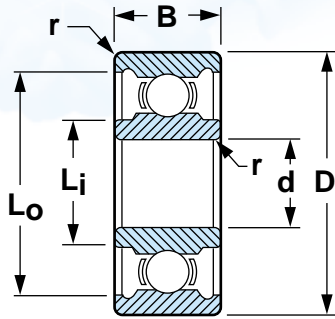
FLANGED SHIELDED BEARINGS

FLANGE DIA. D _f	FLANGE WIDTH B _f	FLANGED *BASIC NUMBER	REFERENCE DIAMETER		FILLET RADIUS r		BALL COMPLEMENT		LOAD RATINGS**				SPEED RATING N _{max} /f _n rpm/1000
			L _i	L _o	MM	INCH	NO. Z	SIZE D _w	Kgs		Lbs		
									DYN. C _r	STATIC C _{or}	DYN. C _r	STATIC C _{or}	
6.5	0.8	DDRF-515	2.60	4.03	0.15	.006	7	1/32	19	6	42	13	123
7.5	0.8	DDRF-615	2.90	5.06	0.15	.006	6	3/64	33	10	73	22	102
7.5	0.8	DDRF-620	3.10	5.23	0.15	.006	6	3/64	34	11	75	24	98
8.5	0.9	DDRF-720	3.80	5.93	0.15	.006	7	3/64	39	13	86	29	83
8.5	0.9	DDRF-725	3.80	5.93	0.15	.006	7	3/64	39	13	86	29	83
9.5	0.9	DDRF-825	4.10	7.20	0.15	.006	6	1/16	57	18	126	40	73
9.5	0.9	DDRF-830	4.10	7.20	0.15	.006	6	1/16	57	18	126	40	73
10.5	1.0	DDRF-930	4.80	7.64	0.15	.006	7	1/16	65	23	143	51	64
11.5	1.0	DDRF-1030	5.08	8.20	0.15	.006	7	1/16	66	23	146	51	61
12.5	1.0	DDRF-1140	6.40	9.54	0.20	.008	8	1/16	73	29	161	64	52
13.5	1.0	DDRF-1240	5.62	9.99	0.20	.008	7	2.0mm	98	36	216	79	48
15.0	1.0	DDRF-1340	5.97	11.20	0.20	.008	7	3/32	134	50	295	110	44
18.0	1.0	DDRF-1640	7.80	13.41	0.30	.012	7	7/64	177	69	390	152	37
15.0	1.0	DDRF-1350	6.66	11.14	0.20	.008	8	2.0mm	110	43	243	95	43
16.0	1.0	DDRF-1450	6.88	12.14	0.20	.008	7	3/32	136	52	300	115	40
18.0	1.0	DDRF-1650	7.80	13.41	0.30	.012	7	7/64	177	69	390	152	37
22.0	1.5	DDRF-1950	8.67	16.26	0.30	.012	6	5/32	287	109	633	240	31
17.0	1.2	DDRF-1560	7.80	13.20	0.15	.006	7	7/64	177	69	390	152	37
19.0	1.2	DDRF-1760	8.22	14.70	0.20	.008	6	3.5mm	231	86	509	190	34
22.0	1.5	DDRF-1960	8.67	16.26	0.30	.012	6	5/32	287	109	633	240	31
—	—	—	9.55	16.24	0.30	.012	7	1/8	229	93	505	205	30
25.0	1.5	DDRF-2270	10.80	18.89	0.30	.012	7	5/32	337	140	743	309	26
22.0	1.5	DDRF-1980	9.55	16.24	0.30	.012	7	1/8	229	89	505	196	30
25.0	1.5	DDRF-2280	10.80	18.89	0.30	.012	7	5/32	337	140	743	309	26

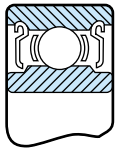


RADIAL OPEN AND SHIELDED BEARINGS

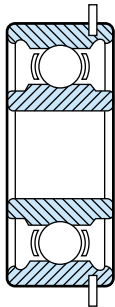
SHIELDED BEARINGS



OPEN BEARING



METAL SHIELD



**EXTERNAL
RETAINING RING†**

BORE d		O.D. D		WIDTH B		BASIC NUMBER
MM	INCH	MM	INCH	MM	INCH	
5	.1969	19	.7480	6	.2362	635
6	.2362	19	.7480	6	.2362	626
7	.2756	19	.7480	6	.2362	607
7	.2756	22	.8661	7	.2756	627
8	.3150	22	.8661	7	.2756	608
9	.3543	26	1.0236	8	.3150	*629
10	.3937	26	1.0236	8	.3150	*6000

* Note: Limited Availability

NOTES:

1. Dimensions in millimeters unless otherwise noted.
2. All bearings in this series are made of chrome alloy steel.
3. r = Maximum shaft or housing fillet radius that bearing corners will clear.

† Used where flange effect is needed but where the extra cost and stability of an integral flange are not required.

RADIAL OPEN AND SHIELDED BEARINGS

REFERENCE DIAMETER		FILLET RADIUS r		BALL COMPLEMENT		LOAD RATINGS Kgs	
L _o	L _i	MM	INCH	QTY.	SIZE	DYN. C _r	STATIC C _{or}
16.68	9.20	0.3	.012	7	3.5mm	267	108
16.68	9.20	0.3	.012	7	3.5mm	267	108
16.68	9.20	0.3	.012	7	3.5mm	267	108
19.02	10.80	0.3	.012	7	5/32	337	140
19.02	10.80	0.3	.012	7	5/32	337	140
22.80	12.88	0.3	.012	7	3/16	468	201
22.80	13.75	0.3	.012	7	3/16	467	201



Vision