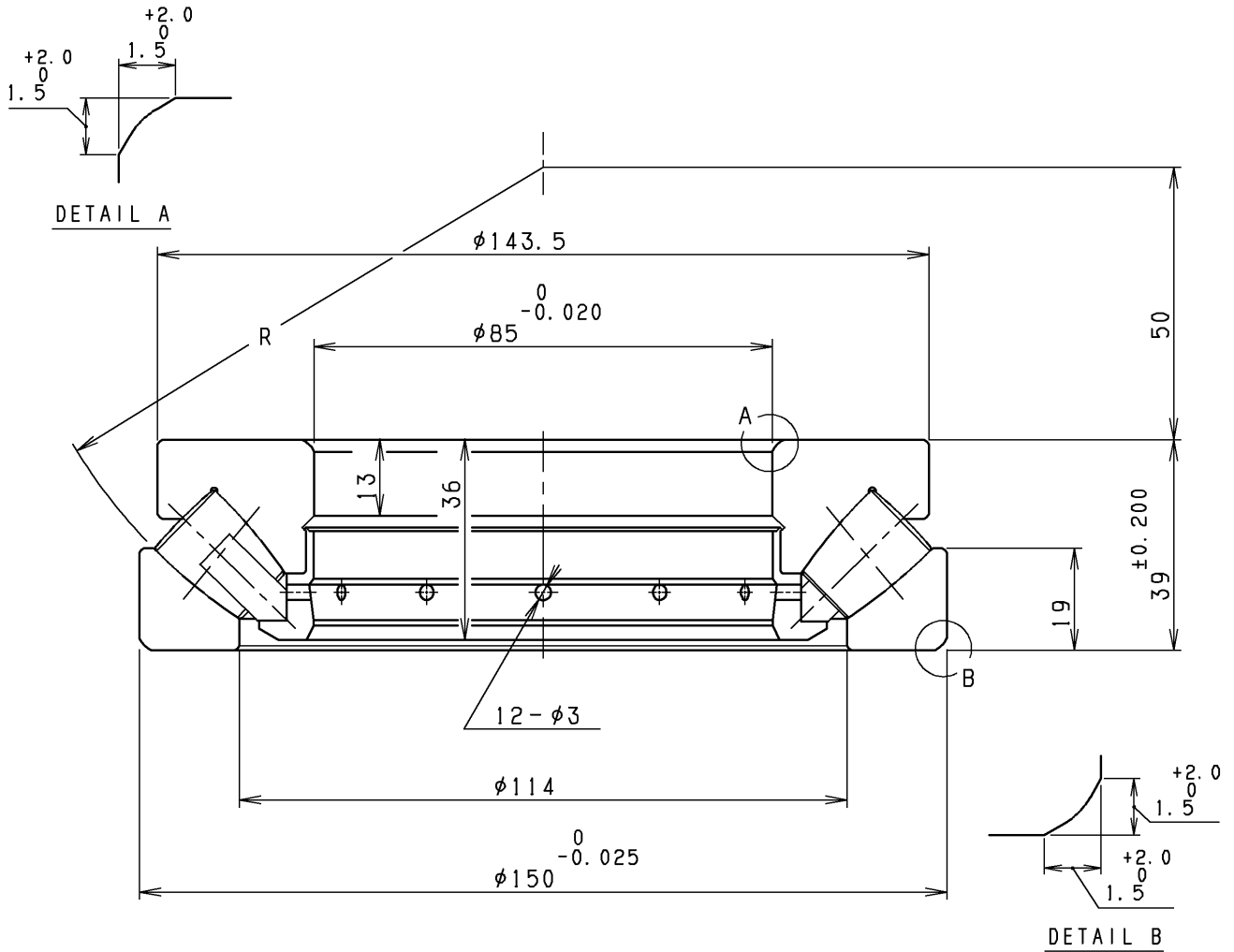




DO NOT DISCLOSE TO ANY THIRD PARTY
WITHOUT CONSENT OF NTN CORPORATION

CUSTOMER :



REFERENCE ONLY

					PART NO :		
NOTE :					BASIC DYNAMIC LOAD RATING: 265000 N { 27000 kgf }		
					BASIC STATIC LOAD RATING: 820000 N { 84000 kgf }		
					MASS: 2.94 kg		
					RADIAL INTERNAL CLEARANCE:		
DIMENSIONS IN mm					AXIAL INTERNAL CLEARANCE:		
					PRELOAD:		
EQUIVALENT LOAD FACTOR		$F_a/F_r \leq e$	$F_a/F_r > e$	e	GRADE: ISO-NORMAL, JIS-O&RBEC-1		
		X =	X =		TOLERANCES		
		Y =	Y =		SHAFT WASHER HOUSING WASHER		
APPLICATION:					RADIAL RUNOUT K_{ia} MAX.		
RADIAL LOAD:					FACE RUNOUT WITH BORE S_d MAX. 0.025		
AXIAL LOAD:					OUTSIDE SURFACE INCLINATION SD MAX.		
SPEED :					FACE RUNOUT S_{ia} MAX. S_{ea} MAX.		
LUBRICATION:					WIDTH VARIATION VB_s MAX. VC_s MAX.		
AMBIENT TEMPERATURE:					DESIGNATION		
SHAFT FIT:					29317		
HOUSING FIT:					DRAWING NO.		
APPD.	CHK.	CHK.	DSGN.	SCALE	REV.		
				FREE			
DATE					NTN corporation OSAKA JAPAN		

THE INTERNAL DESIGN SHOULD BE CHANGED UNDER SEVERE CONDITIONS.