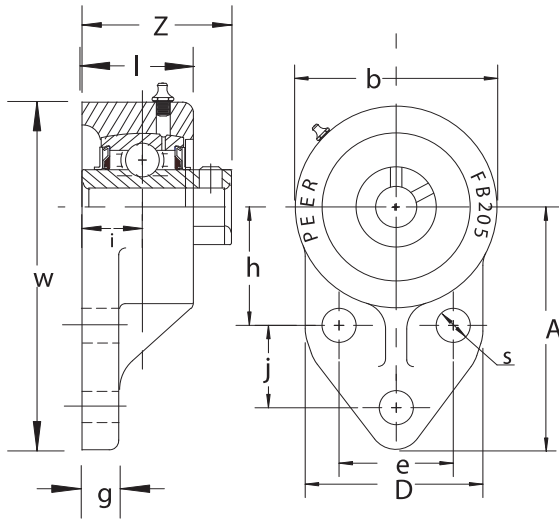
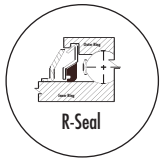




Flange Units – Flange Bracket 3 Bolt

UCFB200 Series Set Screw Locking



- Standard duty, high-grade cast iron
- Solid base housing design
- Wide inner ring bearing
- Relubricatable unit with anti-rotation pin
- Standard seal: R-Seal

Triple lip seal and other options:
See page 83

Dimensions ⁱⁿ / _{mm}																
Unit No.	Shaft Diam.	w	A	b	D	i	l	s	g	h	j	e	z	Bolt Size In.	Bearing No.	Housing No.
UCFB201 -8	1/2															
UCFB201 -12mm	12mm															
UCFB202 -9	9/16															
UCFB202 -10	5/8	4 1/4	3	2 1/2	2 3/8	5/8	1	25/64	5/16	1 11/16	7/8	1 1/2	1.35	5/16	UC201 -8 UC201 -12mm UC202 -9 UC202 -10 UC202 -15mm UC203 -11 UC203 -17mm	FB-204-HA
UCFB202 -15mm	15mm	108.0	76.2	63.5	60.3	15.9	25.4	9.9	8.0	42.9	22.2	38.1	34.2			
UCFB203 -11	11/16															
UCFB203 -17mm	17mm															
UCFB204 -12	3/4															
UCFB204 -13	13/16	4 1/4	3	2 1/2	2 3/8	5/8	1	25/64	5/16	1 11/16	7/8	1 1/2	1.35	5/16	UC204 -12 UC204 -13 UC204 -20mm	FB-204-HA
UCFB204 -20mm	20mm	108.0	76.2	63.5	60.3	15.9	25.4	9.9	8.0	42.9	22.2	38.1	34.2			
UCFB205 -13	13/16															
UCFB205 -14	7/8															
UCFB205 -15	15/16	4 3/4	3 3/8	2 3/4	2 1/2	21/32	1 5/64	25/64	3/8	1 13/16	1 1/8	1 5/8	1.43	5/16	UC205 -13 UC205 -14 UC205 -15 UC205 -16 UC205 -25mm	FB-205-HA
UCFB205 -16	1	120.7	85.7	69.9	63.5	16.7	27.2	9.9	9.5	46.0	28.6	41.3	36.4			
UCFB205 -25mm	25mm															
UCFB206 -17	1 1/16															
UCFB206 -18	1 1/8															
UCFB206 -19	1 3/8	5 3/8	3 3/4	3 1/4	2 3/4	47/64	1 7/64	25/64	3/8	2 1/16	1 1/4	1 7/8	1.61	5/16	UC206 -17 UC206 -18 UC206 -19 UC206 -20 UC206 -30mm	FB-206-HA
UCFB206 -20	1 1/4(s)	136.5	95.3	82.6	69.9	18.7	28.2	9.9	9.5	52.4	31.8	47.6	40.9			
UCFB206 -30mm	30mm															
UCFB207 -20	1 1/4															
UCFB207 -21	1 5/16															
UCFB207 -22	1 3/8	6 1/8	4 1/4	3 3/4	3 1/4	53/64	1 1/4	33/64	1/2	2 3/8	1 1/4	2	1.83	7/16	UC207 -20 UC207 -21 UC207 -22 UC207 -23 UC207 -35mm	FB-207-HA
UCFB207 -23	1 7/16	155.6	108.0	95.3	82.6	21.0	32.0	13.1	12.7	60.3	31.8	50.8	46.4			
UCFB207 -35mm	35mm															
UCFB208 -24	1 1/2															
UCFB208 -25	1 9/16	6 15/32	4 1/2	3 15/16	3 1/16	53/64	1 13/32	15/32	5/8	2 3/8	1 5/8	1 31/32	2.02	3/8	UC208 -24 UC208 -25 UC208 -40mm	FB-208-HA
UCFB208 -40mm	40mm	164.3	114.3	100.0	77.8	21.0	35.7	11.9	15.9	60.3	41.3	50.0	51.2			
UCFB209 -26	1 5/8															
UCFB209 -27	1 11/16															
UCFB209 -28	1 3/4	6 27/32	4 3/4	4 3/16	3 5/32	53/64	1 1/2	15/32	23/32	2 9/16	1 11/16	2 1/8	2.02	3/8	UC209 -26 UC209 -27 UC209 -28 UC209 -45mm	FB-209-HA
UCFB209 -45mm	45mm	173.9	120.7	106.4	80.2	21.0	38.0	11.9	18.3	65.1	42.9	54.0	51.2			
UCFB210 -29	1 13/16															
UCFB210 -30	1 7/8															
UCFB210 -31	1 15/16	7 1/2	5 3/16	4 5/8	4	53/64	1 1/2	33/64	1/2	2 15/16	1 5/8	2 3/4	2.11	7/16	UC210 -29 UC210 -30 UC210 -31 UC210 -32 UC210 -50mm	FB-210-HA
UCFB210 -32	2(s)	190.5	131.8	117.5	101.6	21.0	38.0	13.1	12.7	74.6	41.3	69.9	53.6			
UCFB210 -50mm	50mm															

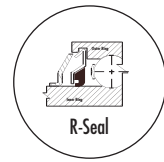
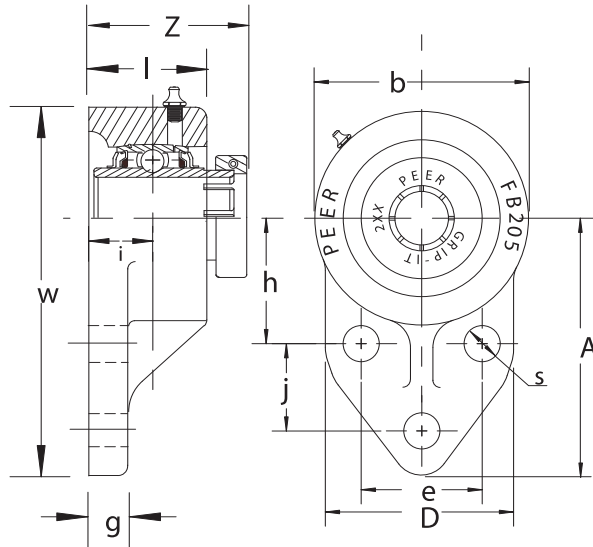
1. Bolt hole diameter ('s' dimension) can be drilled to your specifications
2. Available with optional bolt hole pattern (UCFBF204-12)
3. FB series can also be combined with the following inserts: HC, FH, FHS and GR series bearings

Flange Units - Flange Bracket 3 Bolt GRFB200 Series GRIP-IT 360 Degree Locking



- Standard duty, high-grade cast iron
- Solid base housing design
- Wide inner ring bearing
- Relubricatable unit with anti-rotation pin
- Black Oxide plated inner and outer rings
- Standard seal: R-Seal

Triple lip seal and other options:
See page 83



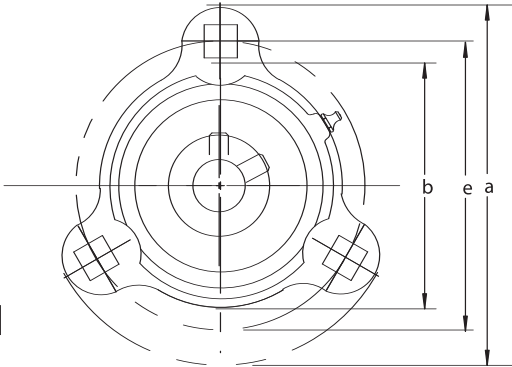
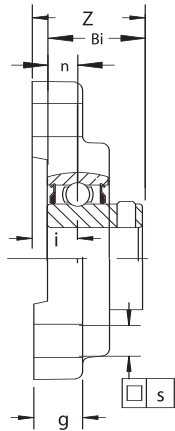
Unit No.	Dimensions <small>in mm</small>													Bolt Size In.	Bearing No.	Housing No.			
	Shaft Diam.	w	A	b	D	i	l	s	g	h	j	e	Z						
GRFB204 -12	3/4																		
GRFB204 -13	13/16																		
GRFB204 -20mm	20mm	4 1/4	3	2 1/2	2 3/8	5/8	1	25/64	5/16	1 11/16	7/8	1 1/2	1.50	5/16	GR204 -12	FB-204-HA			
		108.0	76.2	63.5	60.3	15.9	25.4	9.9	8.0	42.9	22.2	38.1	38.1		GR204 -13				
															GR204 -20mm				
GRFB205 -13	13/16																		
GRFB205 -14	7/8																		
GRFB205 -15	15/16	4 3/4	3 3/8	2 3/4	2 1/2	21/32	1 5/64	25/64	3/8	1 13/16	1 1/8	1 5/8	1.61	5/16	GR205 -13	FB-205-HA			
GRFB205 -16	1	120.7	85.7	69.9	63.5	16.7	27.2	9.9	9.5	46.0	28.6	41.3	40.8		GR205 -14				
GRFB205 -25mm	25mm														GR205 -15				
															GR205 -16				
															GR205 -25mm				
GRFB206 -17	1 1/16																		
GRFB206 -18	1 1/8																		
GRFB206 -19	1 3/16	5 3/8	3 3/4	3 1/4	2 3/4	47/64	1 7/64	25/64	3/8	2 1/16	1 1/4	1 7/8	1.76	5/16	GR206 -17	FB-206-HA			
GRFB206 -20	1 1/4(s)	136.5	95.3	82.6	69.9	18.7	28.2	9.9	9.5	52.4	31.8	47.6	44.7		GR206 -18				
GRFB206 -30mm	30mm														GR206 -19				
															GR206 -20				
															GR206 -30mm				
GRFB207 -20	1 1/4																		
GRFB207 -21	1 5/16																		
GRFB207 -22	1 3/8	6 1/8	4 1/4	3 3/4	3 1/4	53/64	1 1/4	33/64	1/2	2 3/8	1 1/4	2	2.01	7/16	GR207 -20	FB-207-HA			
GRFB207 -23	1 7/16	155.6	108.0	95.3	82.6	21.0	32.0	13.1	12.7	60.3	31.8	50.8	51.0		GR207 -21				
GRFB207 -35mm	35mm														GR207 -22				
															GR207 -23				
															GR207 -35mm				
GRFB208 -24	1 1/2																		
GRFB208 -25	1 9/16	6 15/32	4 1/2	3 15/16	3 1/16	53/64	1 13/32	15/32	5/8	2 3/8	1 5/8	1 31/32	2.19	3/8	GR208 -24	FB-208-HA			
GRFB208 -40mm	40mm	164.3	114.3	100.0	77.8	21.0	35.7	11.9	15.9	60.3	41.3	50.0	55.7		GR208 -25				
															GR208 -40mm				
GRFB209 -26	1 5/8																		
GRFB209 -27	1 11/16																		
GRFB209 -28	1 3/4	6 27/32	4 3/4	4 3/16	3 5/32	53/64	1 1/2	15/32	23/32	2 9/16	1 11/16	2 1/8	2.20	3/8	GR209 -26	FB-209-HA			
GRFB209 -45mm	45mm	173.9	120.7	106.4	80.2	21.0	38.0	11.9	18.3	65.1	42.9	54.0	55.9		GR209 -27				
															GR209 -28				
															GR209 -45mm				
GRFB210 -29	1 13/16																		
GRFB210 -30	1 7/8																		
GRFB210 -31	1 15/16	7 1/2	5 3/16	4 5/8	4	53/64	1 1/2	33/64	1/2	2 15/16	1 5/8	2 3/4	2.35	7/16	GR210 -29	FB-210-HA			
GRFB210 -32	2(s)	190.5	131.8	117.5	101.6	21.0	38.0	13.1	12.7	74.6	41.3	69.9	59.6		GR210 -30				
GRFB210 -50mm	50mm														GR210 -31				
															GR210 -32				
															GR210 -50mm				

1. Bolt hole diameter ('s' dimension) can be drilled to your specifications
2. Available with optional bolt hole pattern (GRFBF204-12)
3. FB series can also be combined with the following inserts: HC, FH, FHS and UC series bearings

Standard Mounted Units



Flange Units – Ductile 3 Bolt FHSF3X200-G Series Set Screw Locking



- Standard duty, high strength ductile iron
- Solid foot housing design
- Narrow inner ring bearing
- Relubricatable unit (Shown)
- Non-relubricatable unit available (omit "G" from unit part number)
- Standard seal: RST tight riding, full cover, metal shroud seals

Optional seals: See page 83

Dimensions ⁱⁿ / _{mm}														
Unit No.	Shaft Diam.	a	e	i	b	d	g	s	Z	Bi	n	Bolt Size In.	Bearing No.	Housing No.
FHSF3X201 -8G	1/2												FHS201 -8G	F3X-203-H
FHSF3X201 -12mmG	12mm												FHS201 -12mmG	
FHSF3X202 -9G	9/16												FHS202 -9G	
FHSF3X202 -10G	5/8	3 3/16	2 1/2	.318	2 3/32	1 19/32	13/32	9/32	0.99	0.8858	0.256	1/4	FHS202 -10G	
FHSF3X202 -15mmG	15mm	80.9	63.5	9.10	53.2	40.5	10.3	7.1	25.1	22.500	6.50		FHS202 -15mmG	
FHSF3X203 -11G	11/16												FHS203 -11G	
FHSF3X203 -17mmG	17mm												FHS203 -17mmG	
FHSF3X204 -12G	3/4												FHS204 -12G	F3X-204-H
FHSF3X204 -13G	13/16	3 9/16	2 13/16	.437	2 13/64	1 25/32	7/16	11/32	1.13	0.9843	0.295	5/16	FHS204 -13G	
FHSF3X204 -20mmG	20mm	90.5	71.4	11.10	55.9	45.2	11.1	8.7	28.6	25.000	7.50		FHS204 -20mmG	
FHSF3X205 -12G	3/4												FHS205 -12G	F3X-205-H
FHSF3X205 -13G	13/16												FHS205 -13G	
FHSF3X205 -14G	7/8	3 3/4	3	.437	2 13/16	1 7/8	1/2	11/32	1.20	1.0630	0.295	5/16	FHS205 -14G	
FHSF3X205 -15G	15/16	95.3	76.2	11.10	71.4	47.6	12.7	8.7	30.6	27.000	7.50		FHS205 -15G	
FHSF3X205 -16G	1												FHS205 -16G	
FHSF3X205 -25mmG	25mm												FHS205 -25mmG	
FHSF3X206 -17G	1 1/16												FHS206 -17G	F3X-206-H
FHSF3X206 -18G	1 1/8												FHS206 -18G	
FHSF3X206 -19G	1 3/16	4 9/16	3 9/16	.437	3	2 9/32	19/32	13/32	1.26	1.1811	0.354	3/8	FHS206 -19G	
FHSF3X206 -20G	1 1/4(s)	115.9	90.5	11.10	76.2	57.9	15.1	10.3	32.1	30.000	9.00		FHS206 -20G	
FHSF3X206 -30mmG	30mm												FHS206 -30mmG	
FHSF3X207 -20G	1 1/4												FHS207 -20G	F3X-207-H
FHSF3X207 -21G	1 5/16												FHS207 -21G	
FHSF3X207 -22G	1 3/8	4 13/16	3 15/16	.500	3 15/32	2 13/32	19/32	13/32	1.39	1.2598	0.374	3/8	FHS207 -22G	
FHSF3X207 -23G	1 7/16	122.2	100.0	12.70	88.1	61.1	15.1	10.3	35.2	32.000	9.50		FHS207 -23G	
FHSF3X207 -35mmG	35mm												FHS207 -35mmG	

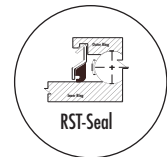
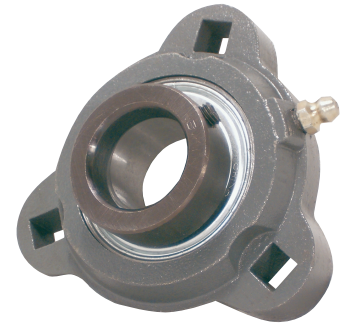
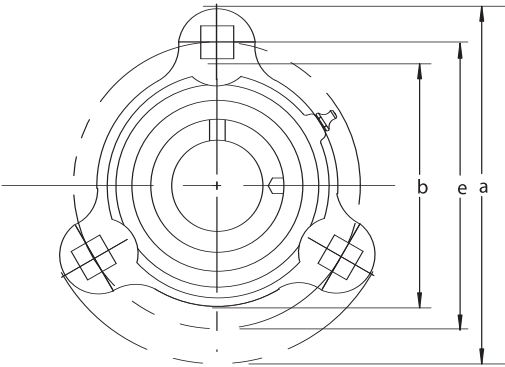
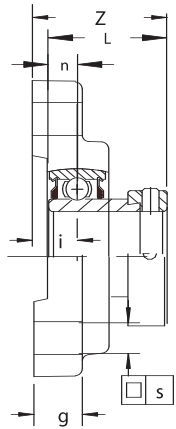
For reverse mounting, add suffix "REV" after unit number:
Example: FHSF3X205-16G-REV

Flange Units - Ductile 3 Bolt FHF3X200-G Series Eccentric Locking Collar



- Standard duty, high strength ductile iron
- Solid foot housing design
- Narrow inner ring bearing
- Relubricatable unit (shown)
- Non-relubricatable unit available (omit "G" from unit part number)
- Standard seal: RST tight riding, full cover, metal shroud seals

Optional seals: See page 83



Unit No.	Shaft Diam.	Dimensions <small>in mm</small>										Bolt Size In.	Bearing No.	Housing No.			
		a	e	i	b	d	g	s	Z	L	n						
FHF3X201 -8G	1/2																
FHF3X201 -12mmG	12mm																
FHF3X202 -9G	9/16																
FHF3X202 -10G	5/8	3 3/16	2 1/2	.318	2 3/32	1 19/32	13/32	9/32	1.23	1.1260	0.256	1/4	FH201 -8G FH201 -12mmG FH202 -9G FH202 -10G FH202 -15mmG FH203 -11G FH203 -17mmG	F3X-203-H			
FHF3X202 -15mmG	15mm	80.9	63.5	9.10	53.2	40.5	10.3	7.1	31.2	28.600	6.50						
FHF3X203 -11G	11/16																
FHF3X203 -17mmG	17mm																
FHF3X204 -12G	3/4	3 9/16	2 13/16	.437	2 13/64	1 25/32	7/16	11/32	1.36	1.2205	0.295	5/16	FH204 -12G FH204 -20mmG	F3X-204-H			
FHF3X204 -20mmG	20mm	90.5	71.4	11.10	55.9	45.2	11.1	8.7	34.6	31.000	7.50						
FHF3X205 -13G	13/16																
FHF3X205 -14G	7/8																
FHF3X205 -15G	15/16	3 3/4	3	.437	2 13/16	1 7/8	1/2	11/32	1.36	1.2205	0.295	5/16	FH205 -13G FH205 -14G FH205 -15G FH205 -16G FH205 -25mmG	F3X-205-H			
FHF3X205 -16G	1	95.3	76.2	11.10	71.4	47.6	12.7	8.7	34.6	31.000	7.50						
FHF3X205 -25mmG	25mm																
FHF3X206 -17G	1 1/16																
FHF3X206 -18G	1 1/8																
FHF3X206 -19G	1 3/16	4 9/16	3 9/16	.437	3	2 9/32	19/32	13/32	1.49	1.4055	0.354	3/8	FH206 -17G FH206 -18G FH206 -19G FH206 -20G FH206 -30mmG	F3X-206-H			
FHF3X206 -20G	1 1/4(s)	115.9	90.5	11.10	76.2	57.9	15.1	10.3	37.8	35.700	9.00						
FHF3X206 -30mmG	30mm																
FHF3X207 -20G	1 1/4																
FHF3X207 -21G	1 5/16																
FHF3X207 -22G	1 3/8	4 13/16	3 15/16	.500	3 15/32	2 13/32	19/32	13/32	1.66	1.5315	0.374	3/8	FH207 -20G FH207 -21G FH207 -22G FH207 -23G FH207 -35mmG	F3X-207-H			
FHF3X207 -23G	1 7/16	122.2	100.0	12.70	88.1	61.1	15.1	10.3	42.1	38.900	9.50						
FHF3X207 -35mmG	35mm																

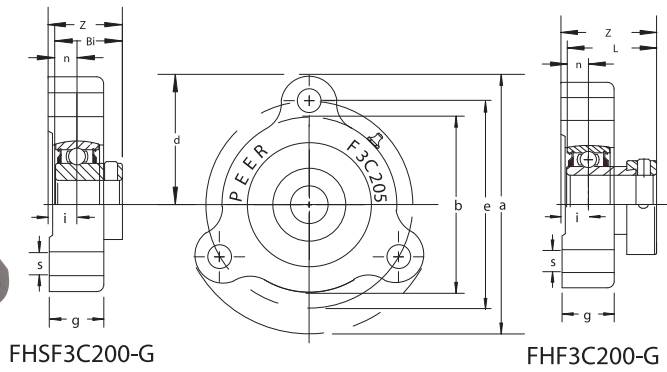
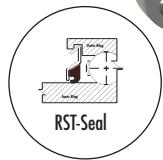
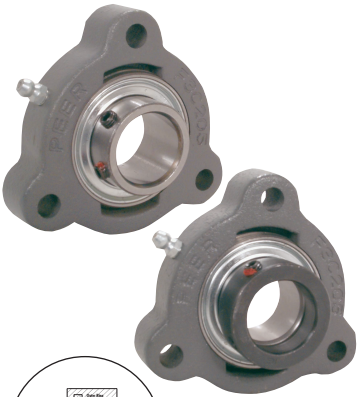
For reverse mounting, add suffix "REV" after unit number:
Example: FHF3X205-16G-REV

Standard Mounted Units



Flange Units – Round Hole 3 Bolt

FHSF3C200-G / FHF3C200-G Series



- Standard duty, high-grade cast iron
- Solid Foot housing design
- Narrow inner ring bearing
- Relubricatable unit (shown)
- Non-relubricatable unit available (omit "G" from unit part number)
- Standard seal: RST tight riding, full cover, metal shroud seals

Optional seals: See page 83

FHSF3C200-G Set Screw Locking

Unit No.	Dimensions <small>in mm</small>											Bolt Size In.	Bearing No.	Housing No.
	Shaft Diam.	a	e	i	b	d	g	s	Z	Bi	n			
FHSF3C204 -12G FHSF3C204 -13G FHSF3C204 -20mmG	3/4 13/16 20mm	3 9/16 90.5	2 13/16 71.4	.344 8.73	1 25/32 66.7	1 25/32 45.2	11/16 17.5	11/32 8.7	1.03 26.2	0.9843 25.000	0.295 7.50	5/16	FHS204 -12-GO FHS204 -13-GO FHS204 -20mm-GO	F3C-204-H
FHSF3C205 -12G FHSF3C205 -13G FHSF3C205 -14G FHSF3C205 -15G FHSF3C205 -16G FHSF3C205 -25mmG	3/4 13/16 7/8 15/16 1 25mm	3 3/4 95.3	3 76.2	.373 9.47	2 51/64 71.0	1 7/8 47.6	11/16 17.5	11/32 8.7	1.14 29.0	1.0630 27.000	0.295 7.50	5/16	FHS205 -12-GO FHS205 -13-GO FHS205 -14-GO FHS205 -15-GO FHS205 -16-GO FHS205 -25mm-GO	F3C-205-H
FHSF3C206 -17G FHSF3C206 -18G FHSF3C206 -19G FHSF3C206 -20G FHSF3C206 -30mmG	1 1/16 1 1/8 1 3/16 1 1/4(s) 30mm	4 7/16 112.7	3 9/16 90.5	.462 11.73	3 5/16 84.1	2 7/32 56.4	13/16 20.6	13/32 10.3	1.29 32.7	1.1811 30.000	0.354 9.00	3/8	FHS206 -17-GO FHS206 -18-GO FHS206 -19-GO FHS206 -20-GO FHS206 -30mm-GO	F3C-206-H
FHSF3C207 -20G FHSF3C207 -21G FHSF3C207 -22G FHSF3C207 -23G FHSF3C207 -35mmG	1 1/4 1 5/16 1 3/8 1 7/16 35mm	4 15/16 125.4	3 15/16 100.0	.497 12.62	3 11/16 93.7	2 15/32 62.7	7/8 22.2	13/32 10.3	1.38 35.1	1.2598 32.000	0.374 9.50	3/8	FHS207 -20-GO FHS207 -21-GO FHS207 -22-GO FHS207 -23-GO FHS207 -35mm-GO	F3C-207-H

FHF3C200-G Eccentric Collar Locking

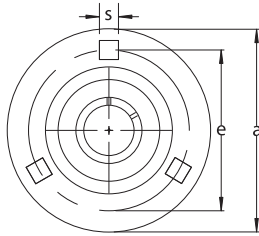
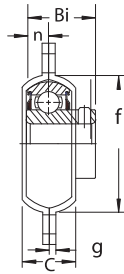
Unit No.	Dimensions <small>in mm</small>											Bolt Size In.	Bearing No.	Housing No.
	Shaft Diam.	a	e	i	b	d	g	s	Z	L	n			
FHF3C204 -12G FHF3C204 -20mmG	3/4 20mm	3 9/16 90.5	2 13/16 71.4	.344 8.73	1 25/32 66.7	1 25/32 45.2	11/16 17.5	11/32 8.7	1.27 32.2	1.2205 31.000	0.295 7.50	5/16	FH204 -12-GO FH204 -20mm-GO	F3C-204-H
FHF3C205 -13G FHF3C205 -14G FHF3C205 -15G FHF3C205 -16G FHF3C205 -25mmG	13/16 7/8 15/16 1 25mm	3 3/4 95.3	3 76.2	.373 9.47	2 51/64 71.0	1 7/8 47.6	11/16 17.5	11/32 8.7	1.30 33.0	1.2205 31.000	0.295 7.50	5/16	FH205 -13-GO FH205 -14-GO FH205 -15-GO FH205 -16-GO FH205 -25mm-GO	F3C-205-H
FHF3C206 -17G FHF3C206 -18G FHF3C206 -19G FHF3C206 -20G FHF3C206 -30mmG	1 1/16 1 1/8 1 3/16 1 1/4(s) 30mm	4 7/16 112.7	3 9/16 90.5	.462 11.73	3 5/16 84.1	2 7/32 56.4	13/16 20.6	13/32 10.3	1.51 38.4	1.4055 35.700	0.354 9.00	3/8	FH206 -17-GO FH206 -18-GO FH206 -19-GO FH206 -20-GO FH206 -30mm-GO	F3C-206-H
FHF3C207 -20G FHF3C207 -21G FHF3C207 -22G FHF3C207 -23G FHF3C207 -35mmG	1 1/4 1 5/16 1 3/8 1 7/16 35mm	4 15/16 125.4	3 15/16 100.0	.497 12.62	3 11/16 93.7	2 15/32 62.7	7/8 22.2	13/32 10.3	1.65 42.0	1.5315 38.900	0.374 9.50	3/8	FH207 -20-GO FH207 -21-GO FH207 -22-GO FH207 -23-GO FH207 -35mm-GO	F3C-207-H

Bolt hole diameter ('s' dimension) can be drilled to your specifications

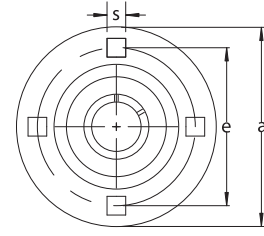
Flange Units – Pressed Steel 3 Bolt & 4 Bolt FHSPFZ200 / FHSPFFZ200 Series Set Screw Locking



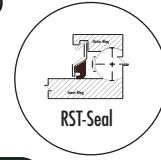
- Two light duty, self-aligning pressed steel housings
- Narrow inner ring bearing
- Zinc plated stamped steel (shown)
- Non-plated, raw stamped steel available (FHSPFR/FHSPFFR Series)
- Non-relubricatable unit (shown)
- Relubricatable unit available (Add "G" suffix to end of part number)
- Standard seal: RST tight riding, full cover, metal shroud seals



FHSPFZ200



FHSPFFZ200



Optional seals: See page 83

FHSPFZ200 3-Bolt

Unit No.	Shaft Diam.	Dimensions in mm								Bolt Size In.	Bearing No.	Housing No.
		a	e	g	c	s	f	Bi	n			
FHSPFZ201 -8 FHSPFZ201 -12mm FHSPFZ202 -9 FHSPFZ202 -10 FHSPFZ202 -15mm FHSPFZ203 -11 FHSPFZ203 -17mm	1/2 12mm 9/16 5/8 15mm 11/16 17mm	3 3/16 81	2 1/2 64	.074 1.9	9/16 14	9/32 7	1 15/16 49	0.8858 22.500	0.256 6.50	1/4	FHS201 -8 FHS201 -12mm FHS202 -9 FHS202 -10 FHS202 -15mm FHS203 -11 FHS203 -17mm	PF-3Z
FHSPFZ204 -12 FHSPFZ204 -13 FHSPFZ204 -20mm	3/4 13/16 20mm	3 9/16 90	2 13/16 71	.083 2.1	5/8 16	11/32 9	2 3/16 56	0.9843 25.000	0.295 7.50	5/16	FHS204 -12 FHS204 -13 FHS204 -20mm	PF-4Z
FHSPFZ205 -12 FHSPFZ205 -13 FHSPFZ205 -14 FHSPFZ205 -15 FHSPFZ205 -16 FHSPFZ205 -25mm	3/4 13/16 7/8 15/16 1 25mm	3 3/4 95	3 76	.083 2.1	11/16 17	11/32 9	2 3/8 66	1.0630 27.000	0.295 7.50	5/16	FHS205 -12 FHS205 -13 FHS205 -14 FHS205 -15 FHS205 -16 FHS205 -25mm	PF-5Z
FHSPFZ206 -17 FHSPFZ206 -18 FHSPFZ206 -19 FHSPFZ206 -20 FHSPFZ206 -30mm	1 1/16 1 1/8 1 3/16 1 1/4(s) 30mm	4 7/16 113	3 9/16 90	.104 2.6	11/16 17	13/32 10	2 13/16 71	1.1811 30.000	0.354 9.00	3/8	FHS206 -17 FHS206 -18 FHS206 -19 FHS206 -20 FHS206 -30mm	PF-6Z
FHSPFZ207 -20 FHSPFZ207 -21 FHSPFZ207 -22 FHSPFZ207 -23 FHSPFZ207 -35mm	1 1/4 1 5/16 1 3/8 1 7/16 35mm	4 13/16 122	3 15/16 100	.104 2.6	3/4 19	13/32 10	3 3/16 81	1.2598 32.000	0.374 9.50	3/8	FHS207 -20 FHS207 -21 FHS207 -22 FHS207 -23 FHS207 -35mm	PF-7Z

Standard Mounted Units

FHSPFFZ200 4-Bolt

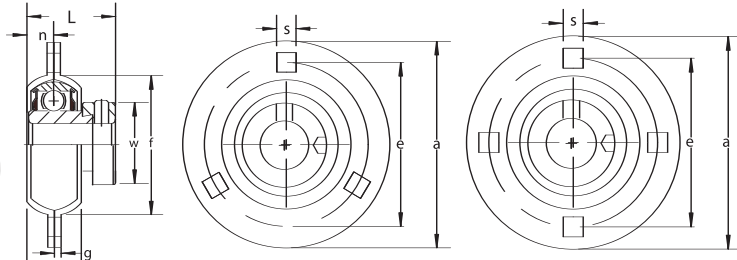
FHSPFFZ207 -20 FHSPFFZ207 -21 FHSPFFZ207 -22 FHSPFFZ207 -23 FHSPFFZ207 -35mm	1 1/4 1 5/16 1 3/8 1 7/16 35mm	4 13/16 122.3	3 15/16 100	.104 2.6	3/4 20.2	13/32 10.4	3 3/16 81	1.2598 32.000	0.37 9.50	3/8	FHS207 -20 FHS207 -21 FHS207 -22 FHS207 -23 FHS207 -35mm	PFF-7Z
FHSPFFZ208 -24 FHSPFFZ208 -25 FHSPFFZ208 -40mm	1 1/2 1 9/16 40mm	5 13/16 148	4 11/16 119	.134 3.3	13/16 20.2	17/32 13.5	3 9/16 90	1.4961 38.000	0.43 11.00	1/2	FHS208 -24 FHS208 -25 FHS208 -40mm	PFF-8Z
FHSPFFZ209 -26 FHSPFFZ209 -27 FHSPFFZ209 -28 FHSPFFZ209 -45mm	1 5/8 1 11/16 1 3/4 45mm	5 7/8 149	4 3/4 121	.134 3.4	7/8 22	17/32 13	3 13/16 90	1.5551 39.500	0.43 11.00	1/2	FHS209 -26 FHS209 -27 FHS209 -28 FHS209 -45mm	PFF-9Z
FHSPFFZ210 -29 FHSPFFZ210 -30 FHSPFFZ210 -31 FHSPFFZ210 -32 FHSPFFZ210 -50mm	1 13/16 1 7/8 1 15/16 2 50mm	6 1/8 156	5 127	.149 3.8	7/8 22	17/32 13	4 102	1.7165 43.600	0.43 11.00	1/2	FHS210 -29 FHS210 -30 FHS210 -31 FHS210 -32 FHS210 -50mm	PFF-10Z
FHSPFFZ211 -32 FHSPFFZ211 -33 FHSPFFZ211 -34 FHSPFFZ211 -35 FHSPFFZ211 -55mm	2 2 1/16 2 1/8 2 3/16 55mm	6 9/16 167	5 7/16 138	.149 3.8	15/16 24	17/32 13	4 7/16 113	1.81 45.90	0.49 12.50	1/2	FHS211 -32 FHS211 -33 FHS211 -34 FHS211 -35 FHS211 -55mm	PFF-11Z

Stamped housings can be made in AISI 304 stainless steel. Combine with stainless steel bearing for maximum corrosion resistance:
Example: SSFHSPF205-16



Flange Units – Pressed Steel 3 Bolt & 4 Bolt

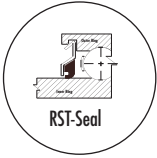
FHPFZ200 / FHPFFZ200 Series Eccentric Locking Collar



FHPFZ200

FHPFFZ200

- Two light duty, self-aligning pressed steel housings
- Narrow inner ring bearing
- Zinc plated stamped steel (shown)
- Non-plated, raw stamped steel available (FHPFR/FHPFFR Series)
- Non-relubricatable unit (shown)
- Relubricatable unit available (Add "G" suffix to end of part number)
- Standard Seal: RST tight riding, full cover, metal shroud seals



Optional seals: See page 83

FHPFZ200 3-Bolt

Unit No.	Shaft Diam.	Dimensions <small>in mm</small>									Bolt Size In.	Bearing No.	Housing No.
		a	e	g	c	s	f	L	n	W			
FHPFZ201 -8 FHPFZ201 -12mm FHPFZ202 -9 FHPFZ202 -10 FHPFZ202 -15mm FHPFZ203 -11 FHPFZ203 -17mm	1/2 12mm 9/16 5/8 15mm 11/16 17mm	3 3/16 81	2 1/2 64	.074 1.9	9/16 14	9/32 7	1 15/16 49	1.1260 28.600	0.256 6.50	1.13 28.60	1/4	FH201 -8 FH201 -12mm FH202 -9 FH202 -10 FH202 -15mm FH203 -11 FH203 -17mm	PF-3Z
FHPFZ204 -12 FHPFZ204 -20mm	3/4 20mm	3 9/16 90	2 13/16 71	.083 2.1	5/8 16	11/32 9	2 3/16 56	1.2205 31.000	0.295 7.50	1.26 32.00	5/16	FH204 -12 FH204 -20mm	PF-4Z
FHPFZ205 -13 FHPFZ205 -14 FHPFZ205 -15 FHPFZ205 -16 FHPFZ205 -25mm	13/16 7/8 15/16 1 25mm	3 3/4 95	3 76	.083 2.1	11/16 17	11/32 9	2 3/8 66	1.2205 31.000	0.295 7.50	1.50 38.10	5/16	FH205 -13 FH205 -14 FH205 -15 FH205 -16 FH205 -25mm	PF-5Z
FHPFZ206 -17 FHPFZ206 -18 FHPFZ206 -19 FHPFZ206 -20 FHPFZ206 -30mm	1 1/16 1 1/8 1 3/16 1 1/4(s) 30mm	4 7/16 113	3 9/16 90	.104 2.6	11/16 17	13/32 10	2 13/16 71	1.4055 35.700	0.354 9.00	1.75 44.50	3/8	FH206 -17 FH206 -18 FH206 -19 FH206 -20 FH206 -30mm	PF-6Z
FHPFZ207 -20 FHPFZ207 -21 FHPFZ207 -22 FHPFZ207 -23 FHPFZ207 -35mm	1 1/4 1 5/16 1 3/8 1 7/16 17/16 35mm	4 13/16 122	3 15/16 100	.104 2.6	3/4 19	13/32 10	3 3/16 81	1.5315 38.900	0.374 9.50	2.19 55.60	3/8	FH207 -20 FH207 -21 FH207 -22 FH207 -23 FH207 -35mm	PF-7Z

FHPFFZ200 4-Bolt

FHPFFZ207-20 FHPFFZ207-21 FHPFFZ207-22 FHPFFZ207-23 FHPFFZ207-35mm	1 1/4 1 5/16 1 3/8 1 7/16 35mm	4 13/16 122.3	3 15/16 100	.104 2.6	3/4 20.2	13/32 10.4	3 3/16 81	1.5315 38.900	0.37 9.50	2.19 55.60	3/8	FH207 -20 FH207 -21 FH207 -22 FH207 -23 FH207 -35mm	PFF-7Z
FHPFFZ208-24 FHPFFZ208-25 FHPFFZ208-40mm	1 1/2 1 9/16 40mm	5 13/16 148	4 11/16 119	.134 3.3	13/16 20.2	17/32 13.5	3 9/16 90	1.7205 43.700	0.43 11.00	2.38 60.40	1/2	FH208 -24 FH208 -25 FH208 -40mm	PFF-8Z
FHPFFZ209-26 FHPFFZ209-27 FHPFFZ209-28 FHPFFZ209-45mm	1 5/8 1 11/16 1 3/4 45mm	5 7/8 149	4 3/4 121	.134 3.4	7/8 22	17/32 13	3 13/16 90	1.7205 43.700	0.43 11.00	2.50 63.50	1/2	FH209 -26 FH209 -27 FH209 -28 FH209 -45mm	PFF-9Z
FHPFFZ210-29 FHPFFZ210-30 FHPFFZ210-31 FHPFFZ210-32 FHPFFZ210-50mm	1 13/16 1 7/8 1 15/16 2(s) 50mm	6 1/8 156	5 127	.149 3.8	7/8 22	17/32 13	4 102	1.7205 43.700	0.43 11.00	2.75 69.90	1/2	FH210 -29 FH210 -30 FH210 -31 FH210 -32 FH210 -50mm	PFF-10Z
FHPFFZ211-32 FHPFFZ211-33 FHPFFZ211-34 FHPFFZ211-35 FHPFFZ211-55mm	2 2 1/16 2 1/8 2 3/16 55mm	6 9/16 167	5 7/16 138	.149 3.8	15/16 24	17/32 13	4 7/16 113	1.9055 48.400	0.49 12.50	3.00 76.20	1/2	FH211 -32 FH211 -33 FH211 -34 FH211 -35 FH211 -55mm	PFF-11Z

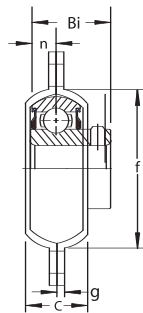
Stamped housings could be made in AISI 304 stainless steel. Combine with stainless steel bearing for maximum corrosion resistance:
Example: SSFHPF205-16

Flange Units – Pressed Steel 3 Bolt Triangle

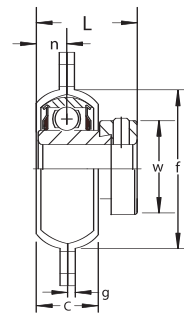
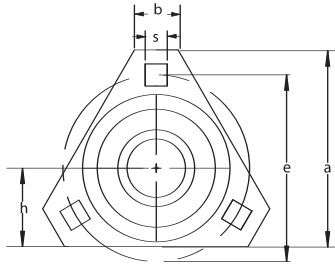
FHSPFTZ200 / FHPFTZ200 Series



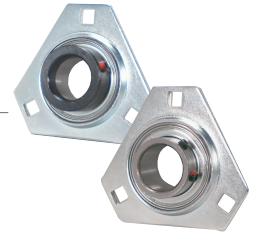
- Two light duty, self-aligning pressed steel housings
- Narrow inner ring bearing
- Zinc plated stamped steel (shown)
- Non-plated, raw stamped steel available (FHSPFTR/FHPFTR Series)
- Non-relubricatable unit (shown)
- Standard Seal: RST tight riding, full cover, metal shroud seals



FHSPFTZ200



FHPFTZ200



Optional seals: See page 83

FHSPFTZ200 Set Screw Locking

Dimensions ⁱⁿ / _{mm}														
Unit No.	Shaft Diam.	a	e	h	s	c	g	b	f	Bi	n	Bolt Size In.	Bearing No.	Housing No.
FHSPFTZ201 -8 FHSPFTZ201 -12mm FHSPFTZ202 -9 FHSPFTZ202 -10 FHSPFTZ202 -15mm FHSPFTZ203 -11 FHSPFTZ203 -17mm	1/2 12mm 9/16 5/8 15mm 11/16 17mm	2 23/32 69	2 1/2 64	1 1/8 29	9/32 7	9/16 14	.074 1.9	13/16 21	1 15/16 49	0.8858 22.500	0.256 6.50	1/4	FHS201 -8 FHS201 -12mm FHS202 -9 FHS202 -10 FHS202 -15mm FHS203 -11 FHS203 -17mm	PFT-3Z
FHSPFTZ204 -12 FHSPFTZ204 -13 FHSPFTZ204 -20mm	3/4 13/16 20mm	3 76	2 13/16 71	1 5/16 33	11/32 9	5/8 16	.083 2.1	1 1/16 27	2 3/16 56	0.9843 25.000	0.295 7.50	5/16	FHS204 -12 FHS204 -13 FHS204 -20mm	PFT-4Z
FHSPFTZ205 -12 FHSPFTZ205 -13 FHSPFTZ205 -14 FHSPFTZ205 -15 FHSPFTZ205 -16 FHSPFTZ205 -25mm	3/4 13/16 7/8 15/16 1 25mm	3 1/8 79	3 76	1 3/8 35	11/32 9	11/16 17	.083 2.1	1 3/32 28	2 3/8 66	1.0630 27.000	0.295 7.50	5/16	FHS205 -12 FHS205 -13 FHS205 -14 FHS205 -15 FHS205 -16 FHS205 -25mm	PFT-5Z
FHSPFTZ206 -17 FHSPFTZ206 -18 FHSPFTZ206 -19 FHSPFTZ206 -20 FHSPFTZ206 -30mm	1 1/16 1 1/8 1 3/16 1 1/4(s) 30mm	3 11/16 94	3 9/16 90	1 1/2 38	13/32 10	11/16 17	.104 2.6	1 25	2 13/16 71	1.1811 30.000	0.354 9.00	3/8	FHS206 -17 FHS206 -18 FHS206 -19 FHS206 -20 FHS206 -30mm	PFT-6Z
FHSPFTZ207 -20 FHSPFTZ207 -21 FHSPFTZ207 -22 FHSPFTZ207 -23 FHSPFTZ207 -35mm	1 1/4 1 5/16 1 3/8 1 7/16 35mm	4 5/32 106	3 15/16 100	1 3/4 44	13/32 10	3/4 19	.104 2.6	1 17/64 32	3 3/16 81	1.2598 32.000	0.374 9.50	3/8	FHS207 -20 FHS207 -21 FHS207 -22 FHS207 -23 FHS207 -35mm	PFT-7Z

Standard Mounted Units

FHPFTZ200 Eccentric Locking Collar

Dimensions ⁱⁿ / _{mm}															
Unit No.	Shaft Diam.	a	e	h	s	c	g	b	f	L	n	W	Bolt Size In.	Bearing No.	Housing No.
FHPFTZ201 -8 FHPFTZ201 -12mm FHPFTZ202 -9 FHPFTZ202 -10 FHPFTZ202 -15mm FHPFTZ203 -11 FHPFTZ203 -17mm	1/2 12mm 9/16 5/8 15mm 11/16 17mm	2 23/32 69	2 1/2 64	1 1/8 29	9/32 7	9/16 14	.074 1.9	13/16 21	1 15/16 49	1.1260 28.600	0.256 6.50	1.13 28.60	1/4	FH201 -8 FH201 -12mm FH202 -9 FH202 -10 FH202 -15mm FH203 -11 FH203 -17mm	PFT-3Z
FHPFTZ204 -12 FHPFTZ204 -20mm	3/4 20mm	3 76	2 13/16 71	1 5/16 33	11/32 9	5/8 16	.083 2.1	1 1/16 27	2 3/16 56	1.2205 31.000	0.295 7.50	1.26 32.00	5/16	FH204 -12 FH204 -20mm	PFT-4Z
FHPFTZ205 -13 FHPFTZ205 -14 FHPFTZ205 -15 FHPFTZ205 -16 FHPFTZ205 -25mm	13/16 7/8 15/16 1 25mm	3 1/8 79	3 76	1 3/8 35	11/32 9	11/16 17	.083 2.1	1 3/32 28	2 3/8 66	1.2205 31.000	0.295 7.50	1.50 38.10	5/16	FH205 -13 FH205 -14 FH205 -15 FH205 -16 FH205 -25mm	PFT-5Z
FHPFTZ206 -17 FHPFTZ206 -18 FHPFTZ206 -19 FHPFTZ206 -20 FHPFTZ206 -30mm	1 1/16 1 1/8 1 3/16 1 1/4(s) 30mm	3 11/16 94	3 9/16 90	1 1/2 38	13/32 10	11/16 17	.104 2.6	1 25	2 13/16 71	1.4055 35.700	0.354 9.00	1.75 44.50	3/8	FH206 -17 FH206 -18 FH206 -19 FH206 -20 FH206 -30mm	PFT-6Z
FHPFTZ207 -20 FHPFTZ207 -21 FHPFTZ207 -22 FHPFTZ207 -23 FHPFTZ207 -35mm	1 1/4 1 5/16 1 3/8 1 7/16 35mm	4 5/32 106	3 15/16 100	1 3/4 44	13/32 10	3/4 19	.104 2.6	1 17/64 32	3 3/16 81	1.5315 38.900	0.374 9.50	2.19 55.60	3/8	FH207 -20 FH207 -21 FH207 -22 FH207 -23 FH207 -35mm	PFT-7Z

Stamped housings can be made in AISI 304 stainless steel. Combine with stainless steel bearing for maximum corrosion resistance:
Example: SSFHSPFT205-16