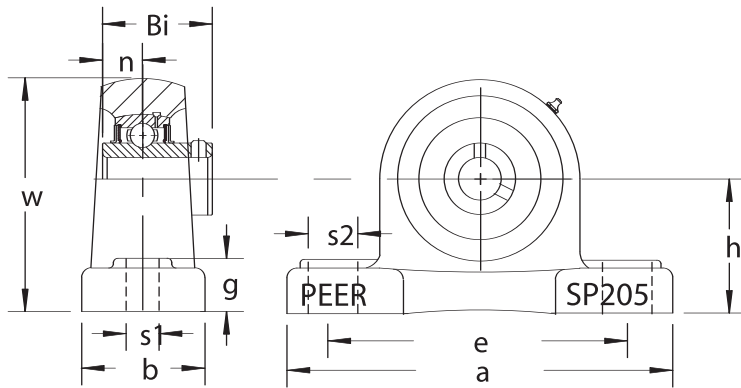
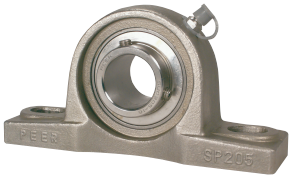




All Stainless Steel Pillow Block Units SSUCP200 Series Set Screw Locking

- For stainless steel grade specifications, see page 101
- Solid Base housing construction
- Wide inner ring bearing
- Relubricatable unit with anti-rotation pin
- Supplied with water/wash resistant Mobilgrease FM102 (FDA/USDA approved)
- Standard seal: FDA approved silicone rubber seal protected by stainless steel slinger



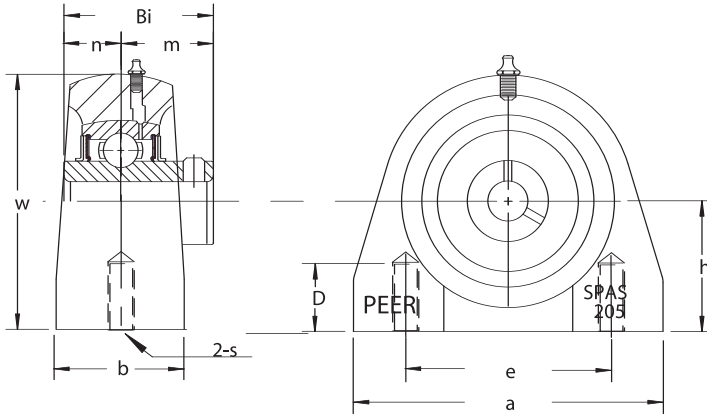
Dimensions ⁱⁿ/_{mm}

Unit No.	Shaft Diam.	h	a	e	b	s1	s2	g	w	Bi	n	Bolt Size In.	Bearing No.	Housing No.
SSUCP201 -8 SSUCP201 -12mm SSUCP202 -9 SSUCP202 -10 SSUCP202 -15mm SSUCP203 -11 SSUCP203 -17mm	1/2 12mm 9/16 5/8 15mm 11/16 17mm	1 5/16 33.30	5 127.0	3 3/4 95.0	1 1/2 38.0	1/2 13.0	3/4 19.0	1/2 13.0	2 9/16 65.0	1.22 31.00	0.500 12.70	3/8	SUC201 -8 SUC201 -12mm SUC202 -9 SUC202 -10 SUC202 -15mm SUC203 -11 SUC203 -17mm	SP-204-HA
SSUCP204 -12 SSUCP204 -20mm	3/4 20mm	1 5/16 33.30	5 127.0	3 3/4 95.0	1 1/2 38.0	1/2 13.0	3/4 19.0	1/2 13.0	2 9/16 65.0	1.22 31.00	0.500 12.70	3/8	SUC204 -12 SUC204 -20mm	SP-204-HA
SSUCP205 -14 SSUCP205 -15 SSUCP205 -16 SSUCP205 -25mm	7/8 15/16 1 25mm	1 7/16 36.50	5 1/2 140.0	4 1/8 105.0	1 1/2 38.0	1/2 13.0	3/4 19.0	19/32 15.0	2 25/32 71.0	1.34 34.10	0.563 14.30	3/8	SUC205 -14 SUC205 -15 SUC205 -16 SUC205 -25mm	SP-205-HA
SSUCP206 -18 SSUCP206 -19 SSUCP206 -20 SSUCP206 -30mm	1 1/8 1 3/16 1 1/4(s) 30mm	1 11/16 42.90	6 1/2 165.0	4 3/4 121.0	1 7/8 48.0	21/32 17.0	25/32 20.0	21/32 17.0	3 5/16 84.0	1.50 38.10	0.626 15.90	1/2	SUC206 -18 SUC206 -19 SUC206 -20 SUC206 -30mm	SP-206-HA
SSUCP207 -20 SSUCP207 -21 SSUCP207 -22 SSUCP207 -23 SSUCP207 -35mm	1 1/4 1 5/16 1 3/8 1 7/16 35mm	1 7/8 47.60	6 9/16 167.0	5 127.0	1 7/8 48.0	21/32 17.0	25/32 20.0	3/4 19.0	3 21/32 93.0	1.69 42.90	0.689 17.50	1/2	SUC207 -20 SUC207 -21 SUC207 -22 SUC207 -23 SUC207 -35mm	SP-207-HA
SSUCP208 -24 SSUCP208 -40mm	1 1/2 40mm	1 15/16 49.20	7 1/4 184.0	5 13/32 137.0	2 1/8 54.0	21/32 17.0	25/32 20.0	25/32 20.0	3 27/32 98.0	1.94 49.20	0.748 19.00	1/2	SUC208 -24 SUC208 -40mm	SP-208-HA
SSUCP209 -27 SSUCP209 -28 SSUCP209 -45mm	1 11/16 1 3/4 45mm	2 1/8 54.00	7 15/16 190.0	5 3/4 146.0	2 1/8 54.0	21/32 17.0	25/32 20.0	25/32 20.0	4 3/16 106.0	1.94 49.20	0.748 19.00	1/2	SUC209 -27 SUC209 -28 SUC209 -45mm	SP-209-HA
SSUCP210 -31 SSUCP210 -32 SSUCP210 -50mm	1 15/16 2(s) 50mm	2 1/4 57.20	8 1/8 206.0	6 1/4 159.0	2 3/8 60.0	25/32 20.0	7/8 22.0	7/8 22.0	4 31/64 114.0	2.03 51.60	0.748 19.00	5/8	SUC210 -31 SUC210 -32 SUC210 -50mm	SP-210-HT
SSUCP211 -32 SSUCP211 -35 SSUCP211 -55mm	2 2 3/16 55mm	2 1/2 63.50	8 5/8 219.0	6 23/32 171.0	2 3/8 60.0	25/32 20.0	7/8 22.0	7/8 22.0	4 29/32 125.0	2.19 55.60	0.874 22.20	5/8	SUC211 -32 SUC211 -35 SUC211 -55mm	SP-211-HT
SSUCP212 -39 SSUCP212 -60mm	2 7/16 60mm	2 3/4 69.80	9 1/2 241.0	7 1/4 184.0	2 3/4 70.0	25/32 20.0	1 25.0	1 25.0	5 7/16 138.0	2.56 65.10	1.000 25.40	5/8	SUC212 -39 SUC212 -60mm	SP-212-HT

All Stainless Steel Tapped Base Pillow Block Units SSUCPAS200 Series Set Screw Locking



- For stainless steel grade specifications, see page 101
- Solid base housing construction
- Wide inner ring bearing
- Relubricatable unit with anti-rotation pin
- Supplied with water/wash resistant Mobilgrease FM102 (FDA/USDA approved)
- Standard seal: FDA approved silicone rubber seal protected by stainless steel slinger



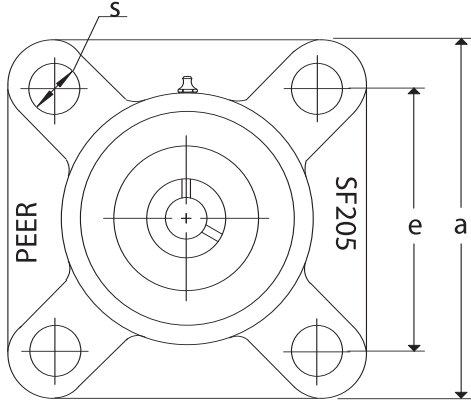
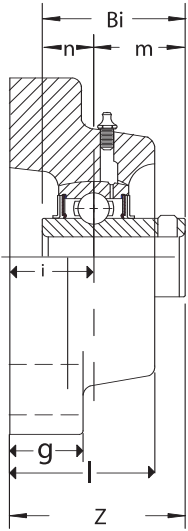
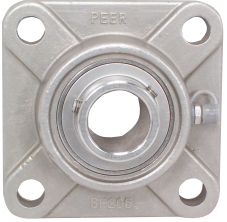
Unit No.	Dimensions ⁱⁿ / _{mm}												Bearing No.	Housing No.
	Shaft Diam.	h	a	e	b	S UNC	w	D	Bi	n	m	Bolt Size In.		
SSUCPAS201 -8 SSUCPAS201 -12mm	1/2 12mm	1 5/16 33.3	2 7/8 73.0	2 50.8	1 1/2 38.0	3/8-16	2 9/16 65.0	33/64 13.0	1.22 31.00	0.500 12.70	0.720 18.30	3/8	SUC201 -8 SUC201 -12mm	SPAS-204-HT
SSUCPAS202 -9 SSUCPAS202 -10	9/16 5/8													
SSUCPAS202 -15mm SSUCPAS203 -11	15mm 11/16													
SSUCPAS203 -17mm	17mm													
SSUCPAS204 -12 SSUCPAS204 -20mm	3/4 20mm	1 5/16 33.3	2 7/8 73.0	2 50.8	1 1/2 38.0	3/8-16	2 9/16 65.0	33/64 13.0	1.22 31.00	0.500 12.70	0.720 18.30	3/8	SUC204 -12 SUC204 -20mm	SPAS-204-HT
SSUCPAS205 -14 SSUCPAS205 -15 SSUCPAS205 -16 SSUCPAS205 -25mm	7/8 15/16 1 25mm	1 7/16 36.5	3 76.2	2 50.8	1 1/2 38.0	3/8-16	2 51/64 71.0	33/64 13.0	1.34 34.10	0.563 14.30	0.780 19.80	3/8	SUC205 -14 SUC205 -15 SUC205 -16 SUC205 -25mm	SPAS-205-HT
SSUCPAS206 -18 SSUCPAS206 -19 SSUCPAS206 -20 SSUCPAS206 -30mm	1 1/8 1 3/16 1 1/4(s) 30mm	1 11/16 42.9	4 101.6	3 76.2	1 1/2 38.0	7/16-14	3 25/64 86.0	5/8 16.0	1.50 38.10	0.626 15.90	0.874 22.20	7/16	SUC206 -18 SUC206 -19 SUC206 -20 SUC206 -30mm	SPAS-206-HT
SSUCPAS207 -20 SSUCPAS207 -21 SSUCPAS207 -22 SSUCPAS207 -23 SSUCPAS207 -35mm	1 1/4 1 5/16 1 3/8 1 7/16 35mm	1 7/8 47.6	4 1/4 108.0	3 1/4 82.6	1 57/64 48.0	1/2-13	3 3/4 95.0	3/4 19.0	1.69 42.90	0.689 17.50	1.000 25.40	1/2	SUC207 -20 SUC207 -21 SUC207 -22 SUC207 -23 SUC207 -35mm	SPAS-207-HT
SSUCPAS208 -24 SSUCPAS208 -40mm	1 1/2 40mm	1 15/16 49.2	4 39/64 117.0	3 1/2 88.9	1 57/64 48.0	1/2-13	3 15/16 100.0	3/4 19.0	1.94 49.20	0.748 19.00	1.189 30.20	1/2	SUC208 -24 SUC208 -40mm	SPAS-208-HT
SSUCPAS209 -27 SSUCPAS209 -28 SSUCPAS209 -45mm	1 11/16 1 3/4 45mm	2 1/8 54.0	5 127.0	3 3/4 95.3	2 50.8	1/2-13	4 1/4 108.0	3/4 19.0	1.94 49.20	0.748 19.00	1.189 30.20	1/2	SUC209 -27 SUC209 -28 SUC209 -45mm	SPAS-209-HT
SSUCPAS210 -31 SSUCPAS210 -32 SSUCPAS210 -50mm	1 15/16 2(s) 50mm	2 1/4 57.2	5 1/2 140.0	4 101.6	2 50.8	5/8-11	4 39/64 117.0	55/64 22.0	2.03 51.60	0.748 19.00	1.283 32.60	5/8	SUC210 -31 SUC210 -32 SUC210 -50mm	SPAS-210-HT

Wash Down Units



All Stainless Steel Flange Units 4 Bolt

SSUCF200 Series Set Screw Locking



- For stainless steel grade specifications, see page 101
- Solid base housing construction
- Wide inner ring bearing
- Relubricatable unit with anti-rotation pin
- Supplied with water/wash resistant Mobilgrease FM102 (FDA/USDA approved)
- Standard seal: FDA approved silicone rubber seal protected by stainless steel slinger

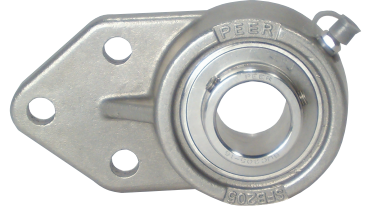
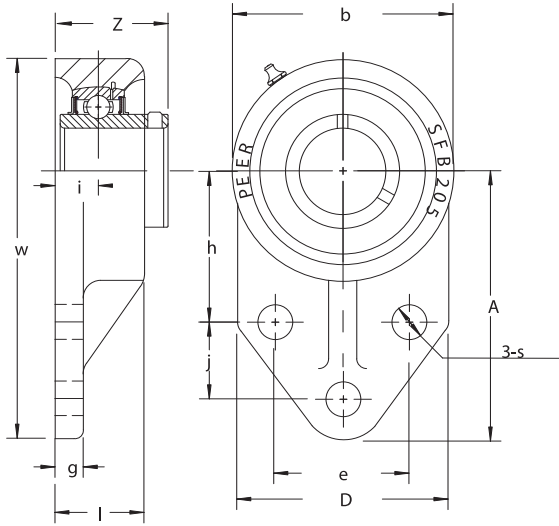
Dimensions ⁱⁿ/_{mm}

Unit No.	Shaft Diam.	a	e	i	g	l	s	Z	Bi	n	m	Bolt Size In.	Bearing No.	Housing No.
SSUCF201 -8 SSUCF201 -12mm SSUCF202 -9 SSUCF202 -10 SSUCF202 -15mm SSUCF203 -11 SSUCF203 -17mm	1/2 12mm 9/16 5/8 15mm 11/16 17mm	3 3/8 86.0	2 1/2 64.0	19/32 15.0	7/16 11.0	1 25.0	15/32 12.0	1.31 33.3	1.220 31.00	0.500 12.70	0.72 18.30	3/8	SUC201 -8 SUC201 -12mm SUC202 -9 SUC202 -10 SUC202 -15mm SUC203 -11 SUC203 -17mm	SF-204-H
SSUCF204 -12 SSUCF204 -20mm	3/4 20mm	3 3/8 86.0	2 1/2 64.0	19/32 15.0	7/16 11.0	1 25.0	15/32 12.0	1.31 33.3	1.220 31.00	0.500 12.70	0.72 18.30	3/8	SUC204 -12 SUC204 -20mm	SF-204-H
SSUCF205 -14 SSUCF205 -15 SSUCF205 -16 SSUCF205 -25mm	7/8 15/16 1 25mm	3 3/4 95.0	2 3/4 70.0	5/8 16.0	1/2 13.0	1 1/16 27.0	15/32 12.0	1.41 35.8	1.343 34.10	0.563 14.30	0.78 19.80	3/8	SUC205 -14 SUC205 -15 SUC205 -16 SUC205 -25mm	SF-205-H
SSUCF206 -18 SSUCF206 -19 SSUCF206 -20 SSUCF206 -30mm	1 1/8 1 3/16 1 1/4(s) 30mm	4 1/4 108.0	3 1/4 83.0	45/64 18.0	1/2 13.0	1 7/32 31.0	15/32 12.0	1.58 40.2	1.500 38.10	0.626 15.90	0.87 22.20	3/8	SUC206 -18 SUC206 -19 SUC206 -20 SUC206 -30mm	SF-206-H
SSUCF207 -20 SSUCF207 -21 SSUCF207 -22 SSUCF207 -23 SSUCF207 -35mm	1 1/4 1 5/16 1 3/8 1 7/16 35mm	4 19/32 117.0	3 5/8 92.0	3/4 19.0	19/32 15.0	1 11/32 34.0	35/64 14.0	1.75 44.4	1.689 42.90	0.689 17.50	1.00 25.40	7/16	SUC207 -20 SUC207 -21 SUC207 -22 SUC207 -23 SUC207 -35mm	SF-207-H
SSUCF208 -24 SSUCF208 -40mm	1 1/2 40mm	5 1/8 130.0	4 1/64 102.0	53/64 21.0	19/32 15.0	1 13/32 36.0	5/8 16.0	2.02 51.2	1.937 49.20	0.748 19.00	1.19 30.20	1/2	SUC208 -24 SUC208 -40mm	SF-208-H
SSUCF209 -27 SSUCF209 -28 SSUCF209 -45mm	1 11/16 1 3/4 45mm	5 13/32 137.0	4 1/8 105.0	55/64 22.0	5/8 16.0	1 1/2 38.0	5/8 16.0	2.06 52.2	1.937 49.20	0.748 19.00	1.19 30.20	1/2	SUC208 -27 SUC209 -28 SUC209 -45mm	SF-209-H
SSUCF210 -31 SSUCF210 -32 SSUCF210 -50mm	1 15/16 2(s) 50mm	5 5/8 143.0	4 3/8 111.0	55/64 22.0	5/8 16.0	1 9/16 40.0	5/8 16.0	2.15 54.6	2.031 51.60	0.748 19.00	1.28 32.60	1/2	SUC210 -31 SUC210 -32 SUC210 -50mm	SF-210-H
SSUCF211 -32 SSUCF211 -35 SSUCF211 -55mm	2 2 3/16 55mm	6 3/8 162.0	5 1/8 130.0	63/64 25.0	23/32 18.0	1 11/16 43.0	3/4 19.0	2.30 58.4	2.189 55.60	0.874 22.20	1.31 33.40	5/8	SUC211 -32 SUC211 -35 SUC211 -55mm	SF-211-H
SSUCF212 -39 SSUCF212 -60mm	2 7/16 60mm	6 7/8 175.0	5 5/8 143.0	1 9/64 29.0	23/32 18.0	1 7/8 48.0	3/4 19.0	2.70 68.7	2.563 65.10	1.000 25.40	1.56 39.70	5/8	SUC212 -39 SUC212 -60mm	SF-212-H

All Stainless Steel Units Flange Bracket 3 Bolt SSUCFB200 Series Set Screw Locking



- For stainless steel grade specifications, see page 101
- Solid base housing construction
- Wide inner ring bearing
- Relubricatable unit with anti-rotation pin
- Supplied with water/wash resistant Mobilgrease FM102 (FDA/USDA approved)
- Standard seal: FDA approved silicone rubber seal protected by stainless steel slinger

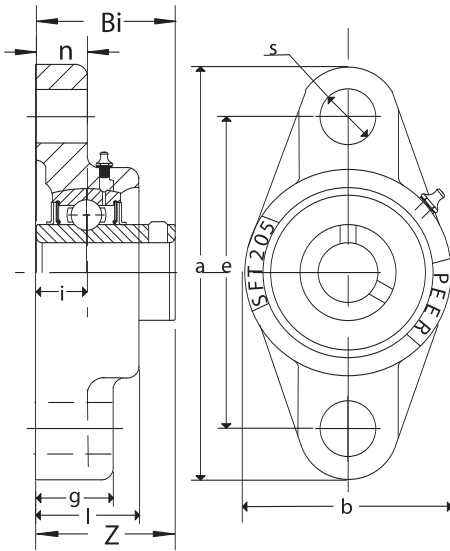
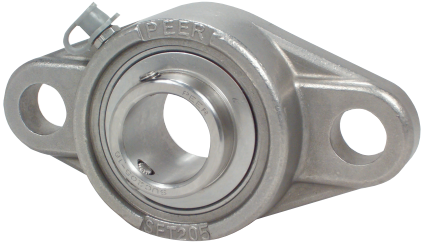


Dimensions ⁱⁿ / _{mm}														Bolt Size In.	Bearing No.	Housing No.
Unit No.	Shaft Diam.	w	A	b	D	i	l	s	g	h	j	e	Z			
SSUCFB201 -8 SSUCFB201 -12mm SSUCFB202 -9 SSUCFB202 -10 SSUCFB202 -15mm SSUCFB203 -11 SSUCFB203 -17mm	1/2 12mm 9/16 5/8 15mm 11/16 17mm	4 1/4 108.0	3 76.5	2 1/2 63.0	2 3/8 60.0	5/8 16.0	1 25.4	25/64 9.9	5/16 8.0	1 11/16 42.9	7/8 22.2	1 1/2 38.1	1.35 34.3	5/16	SUC201 -8 SUC201 -12mm SUC202 -9 SUC202 -10 SUC202 -15mm SUC203 -11 SUC203 -17mm	SFB-204-HA
SSUCFB204 -12 SSUCFB204 -20mm	3/4 20mm	4 1/4 108.0	3 76.5	2 1/2 63.0	2 3/8 60.0	5/8 16.0	1 25.4	25/64 9.9	5/16 8.0	1 11/16 42.9	7/8 22.2	1 1/2 38.1	1.35 34.3	5/16	SUC204 -12 SUC204 -20mm	SFB-204-HA
SSUCFB205 -14 SSUCFB205 -15 SSUCFB205 -16 SSUCFB205 -25mm	7/8 15/16 1 25mm	4 3/4 121.0	3 3/8 86.0	2 3/4 70.0	2 1/2 64.0	2 1/32 17.0	1 1/8 29.0	25/64 9.9	3/8 9.5	1 13/32 46.0	1 1/8 28.6	1 5/8 41.3	1.45 36.8	5/16	SUC205 -14 SUC205 -15 SUC205 -16 SUC205 -25mm	SFB-205-HA
SSUCFB206 -18 SSUCFB206 -19 SSUCFB206 -20 SSUCFB206 -30mm	1 1/8 1 3/16 1 1/4(s) 30mm	5 3/8 137.0	3 3/4 95.5	3 1/4 83.0	2 3/4 70.0	47/64 19.0	1 1/4 32.0	25/64 9.9	3/8 9.5	2 1/16 52.4	1 1/4 31.8	1 7/8 47.6	1.62 41.2	5/16	SUC206 -18 SUC206 -19 SUC206 -20 SUC206 -30mm	SFB-206-HA
SSUCFB207 -20 SSUCFB207 -21 SSUCFB207 -22 SSUCFB207 -23 SSUCFB207 -35mm	1 1/4 1 5/16 1 3/8 1 7/16 35mm	6 9/64 156.0	4 17/64 108.5	3 3/4 95.0	3 1/4 82.5	53/64 21.0	1 29/64 37.0	33/64 13.1	17/32 13.5	2 3/8 60.3	1 1/4 31.8	2 50.8	1.83 46.4	7/16	SUC207 -20 SUC207 -21 SUC207 -22 SUC207 -23 SUC207 -35mm	SFB-207-HA
SSUCFB208 -24 SSUCFB208 -40mm	1 1/2 40mm	6 15/32 164.0	4 1/2 114.0	3 15/16 100.0	3 1/16 78.0	53/64 21.0	1 11/32 34.0	15/32 11.1	5/8 16.0	2 3/8 60.3	1 5/8 41.0	2 50.8	2.02 51.2	3/8	SUC208 -24 SUC208 -40mm	SFB-208-HA
SSUCFB209 -27 SSUCFB209 -28 SSUCFB209 -45mm	1 11/16 1 3/4 45mm	6 27/64 174.0	4 3/4 121.0	4 11/64 106.0	3 5/32 80.0	53/64 21.0	1 11/32 34.0	15/32 11.1	45/64 18.0	2 9/16 65.0	1 11/16 42.9	2 1/8 54.0	2.02 51.2	3/8	SUC209 -27 SUC209 -28 SUC209 -45mm	SFB-209-HA
SSUCFB210 -31 SSUCFB210 -32 SSUCFB210 -50mm	1 15/16 2(s) 50mm	7 33/64 191.0	5 3/16 132.0	4 41/64 118.0	4 1/16 102.0	53/64 21.0	1 1/2 38.0	33/64 13.1	33/64 13.0	2 15/16 74.6	1 5/8 41.3	2 3/4 69.9	2.11 53.6	7/16	SUC210 -31 SUC210 -32 SUC210 -50mm	SFB-210-HA

Wash Down Units



All Stainless Steel Flange Units 2 Bolt SSUCFT200 Series Set Screw Locking



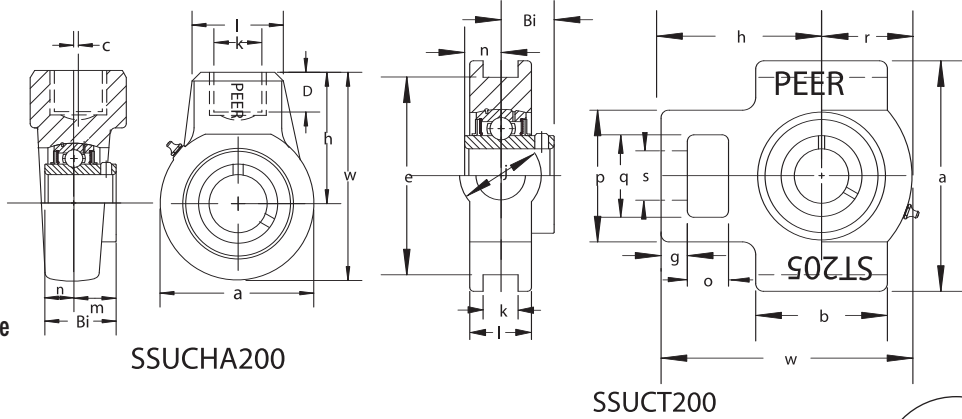
- For stainless steel grade specifications, see page 101
- Solid base housing construction
- Wide inner ring bearing
- Relubricatable unit with anti-rotation pin
- Supplied with water/wash resistant Mobilgrease FM102 (FDA/USDA approved)
- Standard seal: FDA approved silicone rubber seal protected by stainless steel slinger

Dimensions ⁱⁿ / _{mm}														
Unit No.	Shaft Diam.	a	e	i	g	l	s	b	Z	Bi	n	Bolt Size In.	Bearing No.	Housing No.
SSUCFT201 -8 SSUCFT201 -12mm SSUCFT202 -9 SSUCFT202 -10 SSUCFT202 -15mm SSUCFT203 -11 SSUCFT203 -17mm	1/2 12mm 9/16 5/8 15mm 11/16 17mm	4 29/64 113.0	3 35/64 90.0	19/32 15.0	7/16 11.0	1 25.4	15/32 12.0	2 23/32 60.0	1.3110 33.300	1.220 31.00	0.500 12.70	3/8	SUC201 -8 SUC201 -12mm SUC202 -9 SUC202 -10 SUC202 -15mm SUC203 -11 SUC203 -17mm	SFT-204-H
SSUCFT204 -12 SSUCFT204 -20mm	3/4 20mm	4 29/64 113.0	3 35/64 90.0	19/32 15.0	7/16 11.0	1 25.4	15/32 12.0	2 23/32 60.0	1.3110 33.300	1.220 31.00	0.500 12.70	3/8	SUC204 -12 SUC204 -20mm	SFT-204-H
SSUCFT205 -14 SSUCFT205 -15 SSUCFT205 -16 SSUCFT205 -25mm	7/8 15/16 1 25mm	5 1/8 130.0	3 57/64 99.0	5/8 16.0	33/64 13.0	1 1/16 27.0	5/8 16.0	2 43/64 68.0	1.4094 35.800	1.343 34.10	0.563 14.30	1/2	SUC205 -14 SUC205 -15 SUC205 -16 SUC205 -25mm	SFT-205-H
SSUCFT206 -18 SSUCFT206 -19 SSUCFT206 -20 SSUCFT206 -30mm	1 1/8 1 3/16 1 1/4(s) 30mm	5 53/64 148.0	4 39/64 117.0	45/64 18.0	33/64 13.0	1 7/32 31.0	5/8 16.0	3 5/32 80.0	1.5827 40.200	1.500 38.10	0.626 15.90	1/2	SUC206 -18 SUC206 -19 SUC206 -20 SUC206 -30mm	SFT-206-H
SSUCFT207 -20 SSUCFT207 -21 SSUCFT207 -22 SSUCFT207 -23 SSUCFT207 -35mm	1 1/4 1 5/16 1 3/8 1 7/16 35mm	6 11/32 161.0	5 1/8 130.0	3/4 19.0	5/8 16.0	1 11/32 34.0	5/8 16.0	3 35/64 90.0	1.7480 44.400	1.689 42.90	0.689 17.50	1/2	SUC207 -20 SUC207 -21 SUC207 -22 SUC207 -23 SUC207 -35mm	SFT-207-H
SSUCFT208 -24 SSUCFT208 -40mm	1 1/2 40mm	6 57/64 175.0	5 43/64 144.0	53/64 21.0	5/8 16.0	1 27/64 36.0	5/8 16.0	3 15/16 100.0	2.0157 51.200	1.937 49.20	0.748 19.00	1/2	SUC208 -24 SUC208 -40mm	SFT-208-H
SSUCFT209 -27 SSUCFT209 -28 SSUCFT209 -45mm	1 11/16 1 3/4 45mm	7 13/32 188.0	5 53/64 148.0	55/64 22.0	5/8 16.0	1 1/2 38.0	5/8 16.0	4 1/4 108.0	2.0551 52.200	1.937 49.20	0.748 19.00	1/2	SUC209 -27 SUC209 -28 SUC209 -45mm	SFT-209-H
SSUCFT210 -31 SSUCFT210 -32 SSUCFT210 -50mm	1 15/16 2(s) 50mm	7 3/4 197.0	6 3/16 157.0	55/64 22.0	5/8 16.0	1 37/64 40.0	3/4 19.0	4 17/32 115.0	2.1496 54.600	2.031 51.60	0.748 19.00	5/8	SUC210 -31 SUC210 -32 SUC210 -50mm	SFT-210-H
SSUCFT211 -32 SSUCFT211 -35 SSUCFT211 -55mm	2 2 3/16 55mm	8 13/16 224.0	7 1/4 184.0	63/64 25.0	45/64 18.0	1 11/16 43.0	3/4 19.0	5 1/8 130.0	2.2992 58.400	2.189 55.60	0.874 22.20	5/8	SUC211 -32 SUC211 -35 SUC211 -55MM	SFT-211-H
SSUCFT212 -39 SSUCFT212 -60mm	2 7/16 60mm	9 27/32 250.0	7 61/64 202.0	1 9/64 29.0	45/64 18.0	1 57/64 48.0	29/32 23.0	5 33/64 140.0	2.7047 68.700	2.563 65.10	1.000 25.40	3/4	SUC212-39 SUC212-60MM	SFT-212-H

All Stainless Steel Bearing Units SSUCHA200 Series / SSUCT200 Series



- For stainless steel grade specifications, see page 101
- Wide inner ring bearing
- Relubricatable unit with anti-rotation pin
- Supplied with water/wash resistant Mobilgrease FM102 (FDA/USDA approved)
- Standard seal: FDA approved silicone rubber seal protected by stainless steel slinger



All Stainless Steel Hanger Units SSUCHA Set Screw Locking

Unit No.	Shaft Diam.	Dimensions in mm										Bearing No.	Housing No.
		a	w	c	h	l	D	K	Bi	n	m		
SSUCHA201 -8 SSUCHA202 -10 SSUCHA204 -12 SSUCHA204 -20mm	1/2 5/8 3/4 20mm	2 17/32 64.3	3 25/32 96.0	0 0	2 33/64 63.9	1 9/16 39.7	3/4 19.1	NPSM-3/4	1.220 31.00	0.500 12.70	0.72 18.30	SUC201 -8 SUC202 -10 SUC204 -12 SUC204 -20mm	SHA-204-H
SSUCHA205 -14 SSUCHA205 -15 SSUCHA205 -16 SSUCHA205 -25mm	7/8 15/16 1 25mm	3 1/16 77.8	4 1/16 103.2	0 0	2 33/64 63.9	1 9/16 39.7	3/4 19.1	NPSM-3/4	1.343 34.10	0.563 14.30	0.78 19.80	SUC205 -14 SUC205 -15 SUC205 -16 SUC205 -25mm	SHA-205-H
SSUCHA206 -18 SSUCHA206 -19 SSUCHA206 -20 SSUCHA206 -30mm	1 1/8 1 3/16 1 1/4(s) 30mm	3 1/16 77.8	4 1/16 103.2	0 0	2 33/64 63.9	1 9/16 39.7	3/4 19.1	NPSM-3/4	1.500 38.10	0.626 15.90	0.87 22.20	SUC206 -18 SUC206 -19 SUC206 -20 SUC206 -30mm	SHA-206-H
SSUCHA207 -20 SSUCHA207 -21 SSUCHA207 -22 SSUCHA207 -23 SSUCHA207 -35mm	1 1/4 1 5/16 1 3/8 1 7/16 35mm	3 5/8 92.1	4 9/16 115.9	0 0	2 3/4 69.9	1 9/16 39.7	3/4 19.1	NPSM-3/4	1.689 42.90	0.689 17.50	1.00 25.40	SUC207 -20 SUC207 -21 SUC207 -22 SUC207 -23 SUC207 -35mm	SHA-207-H
SSUCHA208 -24 SSUCHA208 -40mm	1 1/2 40mm	3 25/32 96.0	4 3/4 120.7	5/64 2.0	2 7/8 73.0	1 9/16 39.7	3/4 19.1	NPSM-3/4	1.937 49.20	0.748 19.00	1.19 30.20	SUC208 -24 SUC208 -40mm	SHA-208-H
SSUCHA209 -27 SSUCHA209 -28 SSUCHA209 -45mm	1 11/16 1 3/4 45mm	4 1/4 108.0	5 11/32 135.7	13/64 5.2	3 15/64 82.2	1 7/8 47.6	13/16 20.6	NPSM-1	1.937 49.20	0.748 19.00	1.19 30.20	SUC209 -27 SUC209 -28 SUC209 -45mm	SHA-209-H
SSUCHA210 -31 SSUCHA210 -32 SSUCHA210 -50mm	1 15/16 2(s) 50mm	4 21/32 118.3	5 19/32 142.1	13/64 5.2	3 17/64 82.9	1 7/8 47.6	13/16 20.6	NPSM-1	2.031 51.60	0.748 19.00	1.28 32.60	SUC210 -31 SUC210 -32 SUC210 -50mm	SHA-210-H



All Stainless Steel Take Up Units SSUCT200 Set Screw Locking

Unit No.	Shaft Diam.	Dimensions in mm														Bearing No.	Housing No.		
		o	g	p	q	s	b	K	e	a	w	j	l	r	h			Bi	n
SSUCT201 -8 SSUCT202 -10 SSUCT204 -12 SSUCT205 -20mm	1/2 5/8 3/4 20mm	5/8 15.9	13/32 10.3	2 50.8	1 1/4 31.8	3/4 19.1	2 50.8	17/32 13.5	3 76.2	3 1/2 88.9	3 23/32 94.4	1 1/4 31.8	13/16 20.6	1 5/16 33.3	2 13/32 61.1	1.220 31.00	0.500 12.70	SUC201 -8 SUC202 -10 SUC204 -12 SUC204 -20mm	ST-204-H
SSUCT205 -14 SSUCT205 -15 SSUCT205 -16 SSUCT205 -25mm	7/8 15/16 1 25mm	5/8 15.9	13/32 10.3	2 50.8	1 1/4 31.8	3/4 19.1	2 50.8	17/32 13.5	3 76.2	3 1/2 88.9	3 13/16 96.8	1 1/4 31.8	15/16 23.8	1 3/8 34.9	2 7/16 61.9	1.343 34.10	0.563 14.30	SUC205 -14 SUC205 -15 SUC205 -16 SUC205 -25mm	ST-205-H
SSUCT206 -18 SSUCT206 -19 SSUCT206 -20 SSUCT206 -30mm	1 1/8 1 3/16 1 1/4(s) 30mm	5/8 15.9	13/32 10.3	2 7/32 56.4	1 15/32 37.3	55/64 21.8	2 1/4 57.2	17/32 13.5	3 1/2 88.9	4 1/32 102.4	4 7/16 112.8	1 15/32 37.3	1 3/32 27.8	1 11/16 42.9	2 3/4 69.9	1.500 38.10	0.626 15.90	SUC206 -18 SUC206 -19 SUC206 -20 SUC206 -30mm	ST-206-H
SSUCT207 -20 SSUCT207 -21 SSUCT207 -22 SSUCT207 -23 SSUCT207 -35mm	1 1/4 1 5/16 1 3/8 1 7/16 35mm	5/8 15.9	1/2 12.7	2 17/32 64.3	1 15/32 37.3	55/64 21.8	2 17/32 64.3	17/32 13.5	3 1/2 88.9	4 1/32 102.4	5 1/16 128.8	1 15/32 37.3	1 3/16 30.2	2 50.8	3 1/16 77.8	1.689 42.90	0.689 17.50	SUC207 -20 SUC207 -21 SUC207 -22 SUC207 -23 SUC207 -35mm	ST-207-H
SSUCT208 -24 SSUCT208 -40mm	1 1/2 40mm	3/4 19.1	5/8 15.9	3 9/32 83.3	1 15/16 49.2	1 9/64 29.0	3 9/32 83.3	11/16 17.5	4 1/64 102.0	4 1/2 114.3	5 11/16 144.5	1 15/16 49.2	1 5/16 33.3	2 27/32 56.4	3 15/32 88.1	1.937 49.20	0.748 19.00	SUC208 -24 SUC208 -40mm	ST-208-H
SSUCT209 -27 SSUCT209 -28 SSUCT209 -45mm	1 11/16 1 3/4 45mm	3/4 19.1	5/8 15.9	3 9/32 83.3	1 15/16 49.2	1 9/64 29.0	3 9/32 83.3	11/16 17.5	4 1/64 102.0	4 19/32 116.7	5 11/16 144.5	1 15/16 49.2	1 3/8 34.9	2 1/4 57.2	3 7/16 87.3	1.937 49.20	0.748 19.00	SUC209 -27 SUC209 -28 SUC209 -45mm	ST-209-H
SSUCT210 -31 SSUCT210 -32 SSUCT210 -50mm	1 15/16 2(s) 50mm	3/4 19.1	5/8 15.9	3 9/32 83.3	1 15/16 49.2	1 9/64 29.0	3 3/8 85.7	11/16 17.5	4 1/64 102.0	4 19/32 116.7	5 27/32 148.4	1 15/16 49.2	1 15/32 37.3	2 5/16 58.7	3 17/32 89.7	2.031 51.60	0.748 19.000	SUC210 -31 SUC210 -32 SUC210 -50mm	ST-210-H

Wash Down Units