



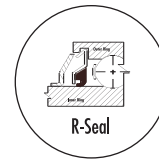
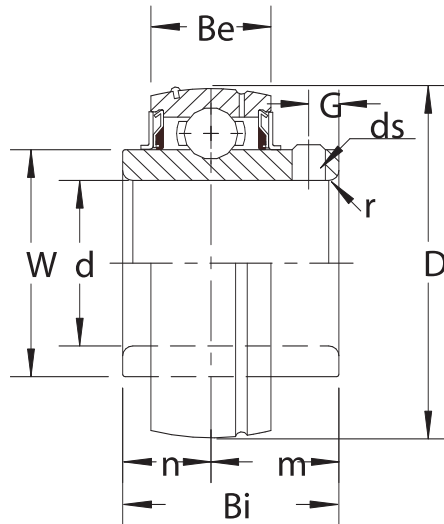
Insert Bearings For Units UC200 Series Set Screw Locking

- Standard load capacity
- Wide inner ring with spherical outer ring
- Relubrication groove with oil hole on set screw side
- Anti-rotation pin on side opposite grease groove
- Nylon patched class 3A set screws are standard
- Standard seal: R-Seal



Triple lip seal and other options: See page 83

Unit No.	Shaft Diam.	Dimensions <small>in mm</small>								ds (UNF-Thread)	Load Rating (Lbs.)	
		D	Bi	Be	r	n	m	G	W		Dynamic	Static
		UCS201 -8 UCS201 -12mm UCS202 -9 UCS202 -10 UCS202 -15mm UCS203 -11 UCS203 -17mm	1/2 12mm 9/16 5/8 15mm 11/16 17mm	1.5748 40.000	1.024 26.00	0.512 13.00	0.039 1.00	0.3937 10.000	0.630 16.00		0.157 4.00	0.969 24.60
UC201 -8 UC201 -12mm UC202 -9 UC202 -10 UC202 -15mm UC203 -11 UC203 -17mm	1/2 12mm 9/16 5/8 15mm 11/16 17mm	1.8504 47.000	1.220 31.00	0.6299 16.000	0.039 1.00	0.5000 12.700	0.720 18.30	0.197 5.00	1.130 28.70	1/4-28x1/4 M6xP1.0	2900	1410
UC204 -12 UC204 -13 UC204 -20mm	3/4 13/16 20mm	1.8504 47.000	1.220 31.00	0.591 15.00	0.059 1.50	0.5000 12.700	0.720 18.30	0.197 5.00	1.130 28.70	1/4-28x1/4 M6xP1.0	2900	1410
UC205 -13 UC205 -14 UC205 -15 UC205 -16 UC205 -25mm	13/16 7/8 15/16 1 25mm	2.0472 52.000	1.339 34.00	0.591 15.00	0.059 1.50	0.5630 14.300	0.776 19.70	0.217 5.50	1.327 33.70	1/4-28x1/4 M6xP1.0	3150	1610
UC206 -17 UC206 -18 UC206 -19 UC206 -20 UC206 -30mm	1 1/16 1 1/8 1 3/16 1 1/4(s) 30mm	2.4409 62.000	1.500 38.10	0.709 18.00	0.059 1.50	0.6260 15.900	0.874 22.20	0.220 5.60	1.567 39.80	1/4-28x1/4 M6xP1.0	4370	2320
UC207 -20 UC207 -21 UC207 -22 UC207 -23 UC207 -35mm	1 1/4 1 5/16 1 3/8 1 7/16 35mm	2.8346 72.000	1.689 42.90	0.748 19.00	0.079 2.00	0.6890 17.500	1.000 25.40	0.252 6.40	1.843 46.80	5/16-24x5/16 M8xP1.0	5770	3150
UC208 -24 UC208 -25 UC208 -40mm	1 1/2 1 9/16 40mm	3.1496 80.000	1.937 49.20	0.866 22.00	0.079 2.00	0.7480 19.000	1.189 30.20	0.315 8.00	2.067 52.50	5/16-24x5/16 M8xP1.0	7340	3650



Unit No.	Dimensions <small>in mm</small>										Load Rating (Lbs.)	
	Shaft Diam.	D	Bi	Be	r	n	m	G	W	ds (UNF-Thread)	Dynamic	Static
UC209 -26	1 5/8											
UC209 -27	1 11/16	3.3465	1.937	0.866	0.079	0.7480	1.189	0.315	2.256	5/16-24x5/16	7350	4150
UC209 -28	1 3/4	85.000	49.20	22.00	2.00	19.000	30.20	8.00	57.30	M8xP1.0		
UC209 -45mm	45mm											
UC210 -29	1 13/16											
UC210 -30	1 7/8	3.5433	2.031	0.866	0.079	0.7480	1.283	0.374	2.445	3/8-24x3/8	7880	4650
UC210 -31	1 15/16	90.000	51.60	22.00	2.00	19.000	32.60	9.50	62.10	M10xP1.25		
UC210 -32	2(s)											
UC210 -50mm	50mm											
UC211 -32	2											
UC211 -33	2 1/16	3.9370	2.189	0.984	0.098	0.8740	1.315	0.374	2.756	3/8-24x3/8	9740	5850
UC211 -34	2 1/8	100.000	55.60	25.00	2.50	22.200	33.40	9.50	70.00	M10xP1.25		
UC211 -35	2 3/16											
UC211 -55mm	55mm											
UC212 -36	2 1/4											
UC212 -37	2 5/16	4.3307	2.563	1.063	0.098	1.0000	1.563	0.437	3.031	3/8-24x3/8	11780	7250
UC212 -38	2 3/8	110.000	65.10	27.00	2.50	25.400	39.70	11.10	77.00	M10xP1.25		
UC212 -39	2 7/16											
UC212 -60mm	60mm											
UC213 -40	2 1/2	4.7244	2.563	1.063	0.098	1.0000	1.563	0.472	3.232	3/8-24x3/8	13980	8000
UC213 -41	2 9/16	120.000	65.10	27.00	2.50	25.400	39.70	12.00	82.10	M10xP1.25		
UC213 -65mm	65mm											
UC214 -42	2 5/8											
UC214 -43	2 11/16	4.9213	2.937	1.142	0.098	1.1890	1.748	0.472	3.425	7/16-20x7/16	14000	8800
UC214 -44	2 3/4	125.000	74.60	29.00	2.50	30.200	44.40	12.00	87.00	M12xP1.5		
UC214 -70mm	70mm											
UC215 -45	2 13/16											
UC215 -46	2 7/8	5.1181	3.063	1.181	0.098	1.3110	1.752	0.437	3.602	7/16-20x7/16	14830	9750
UC215 -47	2 15/16	130.000	77.80	30.00	2.50	33.300	44.50	11.10	91.50	M12xP1.5		
UC215 -48	3											
UC215 -75mm	75mm											
UC216 -50	3 1/8	5.5118	3.252	1.260	0.118	1.3110	1.941	0.551	3.878	7/16-20x7/16	16280	10400
UC216 -80mm	80mm	140.000	82.60	32.00	3.00	33.300	49.30	14.00	98.50	M12xP1.5		
UC217 -52	3 1/4											
UC217 -55	3 7/16	5.9055	3.374	1.339	0.118	1.3425	2.031	0.472	4.134	7/16-20x7/16	17680	11600
UC217 -85mm	85mm	150.000	85.70	34.00	3.00	34.100	51.60	12.00	105.00	M12xP1.5		
UC218 -56	3 1/2	6.2992	3.780	1.417	0.118	1.5630	2.217	0.591	4.390	1/2-20x1/2	21470	14100
UC218 -90mm	90mm	160.000	96.00	36.00	3.00	39.700	56.30	15.00	111.50	M12xP1.5		

Standard Mounted Units



Insert Bearings For Units

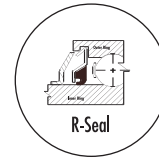
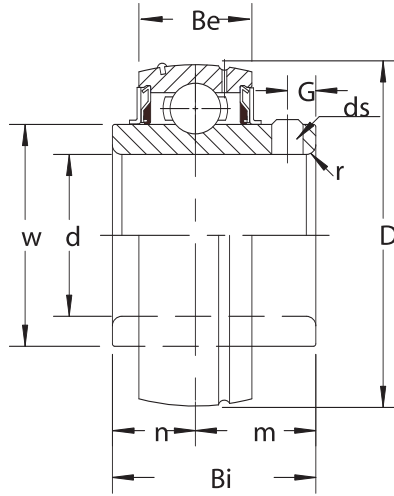
UCX00 Series Set Screw Locking

- Medium load capacity
- Wide inner ring with spherical outer ring
- Relubrication groove with oil hole on set screw side
- Anti-rotation pin on side opposite grease groove
- Nylon patched class 3A set screws are standard
- Standard seal: R-Seal

Triple lip seal and other options: See page 83



Unit No.	Shaft Diam.	Dimensions ⁱⁿ / _{mm}									Load Rating (Lbs.)	
		D	Bi	Be	r	n	m	G	W	ds (UNF-Thread)	Dynamic	Static
		UCX05 -13 UCX05 -14 UCX05 -15 UCX05 -16 UCX05 -25mm	13/16 7/8 15/16 1 25mm	2.4409 62.000	1.500 38.10	0.709 18.00	0.059 1.50	0.6260 15.900	0.874 22.20	0.220 5.60	1.567 39.80	1/4-28x1/4 M6xP1.0
UCX06 -17 UCX06 -18 UCX06 -19 UC207 -20 * UCX06 -30mm	1 1/16 1 1/8 1 3/16 1 1/4 30mm	2.8346 72.000	1.689 42.90	0.748 19.00	0.059 1.50	0.6890 17.500	1.000 25.40	0.252 6.40	1.843 46.80	5/16-24x5/16 M8xP1.0	5770	3150
UCX07 -20 UCX07 -21 UCX07 -22 UCX07 -23 UCX07 -35mm	1 1/4 1 5/16 1 3/8 1 7/16 35mm	3.1496 80.000	1.937 49.20	0.866 22.00	0.079 2.00	0.7480 19.000	1.189 30.20	0.315 8.00	2.067 52.50	5/16-24x5/16 M8xP1.0	7340	3650
UCX08 -24 UCX08 -25 UCX08 -40mm	1 1/2 1 9/16 40mm	3.3465 85.000	1.937 49.20	0.866 22.00	0.079 2.00	0.7480 19.000	1.189 30.20	0.315 8.00	2.256 57.30	5/16-24x5/16 M8xP1.0	7350	4150
UCX09 -26 UCX09 -27 UCX09 -28 UCX09 -45mm	1 5/8 1 11/16 1 3/4 45mm	3.5433 90.000	2.031 51.60	0.866 22.00	0.079 2.00	0.7480 19.000	1.283 32.60	0.374 9.50	2.445 62.10	3/8-24x3/8 M10xP1.25	7880	4650
UCX10 -29 UCX10 -30 UCX10 -31 UC211 -32 ** UCX10 -50mm	1 13/19 1 7/8 1 15/16 2 50mm	3.9370 100.000	2.189 55.60	0.984 25.00	0.079 2.00	0.8740 22.200	1.315 33.40	0.374 9.50	2.756 70.00	3/8-24x3/8 M10xP1.25	9740	5850



Unit No.	Dimensions ⁱⁿ / _{mm}										Load Rating (Lbs.)	
	Shaft Diam.	D	Bi	Be	r	n	m	G	W	ds (UNF-Thread)	Dynamic	Static
UCX11 -32	2											
UCX11 -33	2 1/16											
UCX11 -34	2 1/8	4.3307	2.563	1.063	0.098	1.0000	1.563	0.437	3.031	3/8-24x3/8	11780	7250
UCX11 -35	2 3/16	110.000	65.10	27.00	2.50	25.400	39.70	11.10	77.00	M10xP1.25		
UC212 -36	2 1/4											
UCX11 -55mm ***	55mm											
UCX12 -37	2 5/16											
UCX12 -38	2 3/8	4.7244	2.563	1.063	0.098	1.0000	1.563	0.472	3.232	3/8-24x3/8	13980	8000
UCX12 -39	2 7/16	120.000	65.10	27.00	2.50	25.400	39.70	12.00	82.10	M10xP1.25		
UCX12 -60mm	60mm											
UCX13 -40	2 1/2	4.9213	2.937	1.142	0.098	1.1890	1.748	0.472	3.425	7/16-20x7/16	14000	8800
UCX13 -41	2 9/16	125.000	74.60	29.00	2.50	30.200	44.40	12.00	87.00	M12xP1.5		
UCX13 -65mm	65mm											
UCX14 -42	2 5/8											
UCX14 -43	2 11/16	5.1181	3.063	1.181	0.098	1.3110	1.752	0.437	3.602	7/16-20x7/16	14830	9750
UCX14 -44	2 3/4	130.000	77.80	30.00	2.50	33.300	44.50	11.10	91.50	M12xP1.5		
UCX14 -70mm	70mm											
UCX15 -45	2 13/16											
UCX15 -46	2 7/8	5.5118	3.252	1.260	0.098	1.3110	1.941	0.551	3.878	7/16-20x7/16	16280	10400
UCX15 -47	2 15/16	140.000	82.60	32.00	2.50	33.300	49.30	14.00	98.50	M12xP1.5		
UCX15 -48	3											
UCX15 -75mm	75mm											
UCX16 -50	3 1/8	5.9055	3.374	1.339	0.118	1.3425	2.031	0.472	4.134	7/16-20x7/16	17680	11600
UCX16 -80mm	80mm	150.000	85.70	34.00	3.00	34.100	51.60	12.00	105.00	M12xP1.5		
UCX17 -52	3 1/4	6.2992	3.780	1.417	0.118	1.5630	2.217	0.591	4.390	1/2-20x1/2	21470	14100
UCX17 -85mm	85mm	160.000	96.00	36.00	3.00	39.700	56.30	15.00	111.50	M12xP1.5		

*UCX06-20 is identical to the UC207-20 bearing and therefore is listed as such.

**UCX10-32 is identical to the UC211-32 bearing and therefore is listed as such.

***UCX11-36 is identical to the UC212-36 bearing and therefore is listed as such.

Standard Mounted Units



Insert Bearings For Units

HC200 / HCR200 Series Eccentric Locking Collar

HC Series

- Wide inner ring with spherical outer ring
- Standard load capacity
- Relubrication groove with oil hole on locking collar side
- Oil hole opposite groove makes it interchangeable with all manufacturers
- Nylon patched class 3A set screw in collar is standard
- Standard seal: R-Seal

Triple lip seal and other options: See page 83

HCR Series

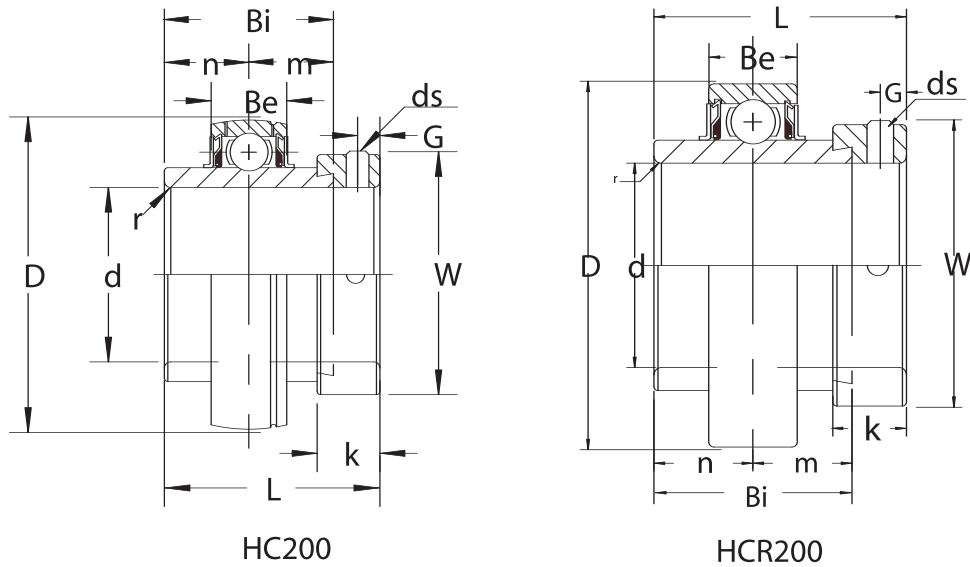
- Wide inner ring with cylindrical outer ring
- Standard load capacity
- Non-relubricatable is standard
- Nylon patched class 3A set screw in collar is standard
- Standard seal: R-Seal

Triple lip seal and other options: See page 83



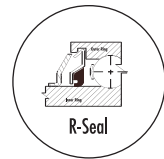
Dimensions in mm

Spherical Unit No.	Cylindrical Unit No.	Shaft Diam.	D	L	Bi	Be	r	n	m	W	K	G	ds (UNF-Thread)	Load Rating (Lbs.)		
														Dynamic	Static	
HCS201 -8		1/2														
HCS201 -12mm		12mm														
HCS202 -9		9/16	1.5748	1.47	1.094	0.512	0.039	0.5472	0.547	1.126	0.53	0.197	1/4-28x1/4	2160	1000	
HCS202 -10		5/8	40.000	37.3	27.80	13.00	1.00	13.900	13.90	28.60	13.5	5.00	M6xP1.0			
HCS202 -15mm		15mm														
HCS203 -11		11/16														
HCS203 -17mm		17mm														
HC201 -8	HCR201 -8	1/2														
HC201 -12mm	HCR201 -12mm	12mm														
HC202 -9	HCR202 -9	9/16	1.8504	1.71	1.339	0.591	0.059	0.6693	0.669	1.260	0.53	0.197	1/4-28x1/4	2900	1410	
HC202 -10	HCR202 -10	5/8	47.000	43.5	34.00	15.00	1.50	17.000	17.00	32.00	13.5	5.00	M6xP1.0			
HC202 -15mm	HCR202 -15mm	15mm														
HC203 -11	HCR203 -11	11/16														
HC203 -17mm	HCR203 -17mm	17mm														
HC204 -12	HCR204 -12	3/4	1.8504	1.71	1.339	0.591	0.059	0.6693	0.669	1.260	0.53	0.197	1/4-28x1/4	2900	1410	
HC204 -20mm	HCR204 -20mm	20mm	47.000	43.5	34.00	15.00	1.50	17.000	17.00	32.00	13.5	5.00	M6xP1.0			
HC205 -13	HCR205 -13	13/16														
HC205 -14	HCR205 -14	7/8	2.0472	1.74	1.370	0.591	0.059	0.6850	0.685	1.500	0.53	0.189	1/4-28x1/4	3150	1610	
HC205 -15	HCR205 -15	15/16	52.000	44.3	34.80	15.00	1.50	17.400	17.40	38.10	13.5	4.80	M6xP1.0			
HC205 -16	HCR205 -16	1														
HC205 -25mm	HCR205 -25mm	25mm														
HC206 -17	HCR206 -17	1 1/16														
HC206 -18	HCR206 -18	1 1/8	2.4409	1.90	1.433	0.709	0.059	0.7165	0.717	1.752	0.62	0.236	5/16-24x5/16	4370	2320	
HC206 -19	HCR206 -19	1 3/16	62.000	48.3	36.40	18.00	1.50	18.200	18.20	44.50	15.9	6.00	M8xP1.0			
HC206 -20	HCR206 -20	1 1/4(s)														
HC206 -30mm	HCR206 -30mm	30mm														
HC207 -20	HCR207 -20	1 1/4														
HC207 -21	HCR207 -21	1 5/16	2.8346	2.01	1.480	0.748	0.079	0.7402	0.740	2.189	0.69	0.256	3/8-24x3/8	5770	3150	
HC207 -22	HCR207 -22	1 3/8	72.000	51.1	37.60	19.00	2.00	18.800	18.80	55.60	17.5	6.50	M10xP1.25			
HC207 -23	HCR207 -23	1 7/16														
HC207 -35mm	HCR207 -35mm	35mm														
HC208 -24	HCR208 -24	1 1/2	3.1496	2.22	1.685	0.866	0.079	0.8425	0.843	2.374	0.72	0.256	3/8-24x3/8	7340	3650	
HC208 -25	HCR208 -25	1 9/16	80.000	56.3	42.80	22.00	2.00	21.400	21.40	60.30	18.3	6.50	M10xP1.25			
HC208 -40mm	HCR208 -40mm	40mm														



HC200

HCR200



		Dimensions ⁱⁿ _{mm}											Load Rating (Lbs.)		
Spherical Unit No.	Cylindrical Unit No.	Shaft Diam.	D	L	Bi	Be	r	n	m	W	K	G	ds (UNF-Thread)	Dynamic	Static
HC209 -26	HCR209 -26	1 5/8													
HC209 -27	HCR209 -27	1 11/16	3.3465	2.22	1.685	0.866	0.079	0.8425	0.843	2.500	0.72	0.256	3/8-24x3/8	7350	4150
HC209 -28	HCR209 -28	1 3/4	85.000	56.3	42.80	22.00	2.00	21.400	21.40	63.50	18.3	6.50	M10xP1.25		
HC209 -45mm	HCR209 -45mm	45mm													
HC210 -29	HCR210 -29	1 13/16													
HC210 -30	HCR210 -30	1 7/8	3.5433	2.47	1.937	0.866	0.079	0.9685	0.969	2.752	0.72	0.256	3/8-24x3/8	7880	4650
HC210 -31	HCR210 -31	1 15/16	90.000	62.7	49.20	22.00	2.00	24.600	24.60	69.90	18.3	6.50	M10xP1.25		
HC210 -32	HCR210 -32	2(s)													
HC210 -50mm	HCR210 -50mm	50mm													
HC211 -32	HCR211 -32	2													
HC211 -33	HCR211 -33	2 1/16	3.9370	2.81	2.181	0.984	0.098	1.0906	1.091	3.00	0.82	0.315	7/16-20x7/16	9740	5850
HC211 -34	HCR211 -34	2 1/8	100.000	71.4	55.40	25.00	2.50	27.700	27.70	76.20	20.8	8.00	M12xP1.5		
HC211 -35	HCR211 -35	2 3/16													
HC211 -55mm	HCR211 -55mm	55mm													
HC212 -36	HCR212 -36	2 1/4													
HC212 -37	HCR212 -37	2 5/16	4.3307	3.06	2.433	1.063	0.098	1.2165	1.217	3.311	0.87	0.315	7/16-20x7/16	11780	7250
HC212 -38	HCR212 -38	2 3/8	110.000	77.8	61.80	27.00	2.50	30.900	30.90	84.10	22.2	8.00	M12xP1.5		
HC212 -39	HCR212 -39	2 7/16													
HC212 -60mm	HCR212 -60mm	60mm													
HC213 -40	HCR213 -40	2 1/2	4.7244	3.37	2.685	1.063	0.098	1.3425	1.343	3.386	0.93	0.335	7/16-20x7/16	13980	8000
HC213 -41	HCR213 -41	2 9/16	120.000	85.7	68.20	27.00	2.50	34.100	34.10	86.00	23.5	8.50	M12xP1.5		
HC213 -65mm	HCR213 -65mm	65mm													
HC214 -42	HCR214 -42	2 5/8													
HC214 -43	HCR214 -43	2 11/16	4.9213	3.37	2.685	1.142	0.098	1.3425	1.343	3.543	0.94	0.335	7/16-20x7/16	14000	8800
HC214 -44	HCR214 -44	2 3/4	125.000	85.7	68.20	29.00	2.50	34.100	34.10	90.00	23.8	8.50	M12xP1.5		
HC214 -70mm	HCR214 -70mm	70mm													
HC215 -45	HCR215 -45	2 13/16													
HC215 -46	HCR215 -46	2 7/8	5.1181	3.63	2.937	1.181	0.098	1.4685	1.469	4.000	0.94	0.335	7/16-20x7/16	14830	9750
HC215 -47	HCR215 -47	2 15/16	130.000	92.1	74.60	30.00	2.50	37.300	37.30	101.60	23.8	8.50	M12xP1.5		
HC215 -48	HCR215 -48	3													
HC215 -75mm	HCR215 -75mm	75mm													

HCR series can be made with relubrication feature:
Example: HCR205-16-GO.

Standard Mounted Units



Insert Bearings For Units

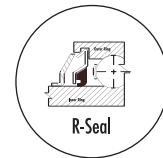
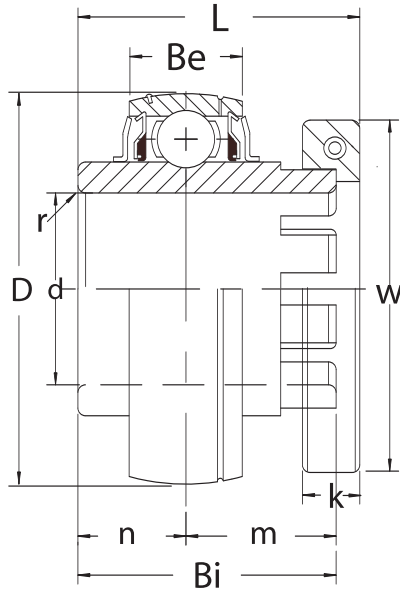
GR200 Series GRIP-IT 360 Degree Locking

- Standard load capacity
- Wide inner ring with spherical outer ring
- Relubrication groove with oil hole on locking collar side
- Anti-rotation pin on side opposite grease groove
- Black oxide plated inner and outer rings
- Standard seal: R-Seal

Triple lip seal and other options: See page 83



Unit No.	Dimensions ⁱⁿ / _{mm}											Load Rating (Lbs.)	
	Shaft Diam.	D	L	Bi	Be	r	n	m	W	K	ds (UNF-Thread)	Dynamic	Static
GR201 -8 GR202 -10	1/2 5/8	1.8504 47.000	1.37 34.9	1.220 31.00	0.591 15.00	0.059 1.50	0.5000 12.700	0.720 18.30	1.756 44.60	0.37 9.5	8-32x5/8	2900	1410
GR204 -12 GR204 -13 GR204 -20mm	3/4 13/16 20mm	1.8504 47.000	1.37 34.9	1.220 31.00	0.591 15.00	0.059 1.50	0.5000 12.700	0.720 18.30	1.756 44.60	0.37 9.5	8-32x5/8	2900	1410
GR205 -13 GR205 -14 GR205 -15 GR205 -16 GR205 -25mm	13/16 7/8 15/16 1 25mm	2.0472 52.000	1.51 38.4	1.358 34.50	0.591 15.00	0.059 1.50	0.5630 14.300	0.795 20.20	1.937 49.20	0.37 9.5	8-32x5/8	3150	1610
GR206 -17 GR206 -18 GR206 -19 GR206 -20 GR206 -30mm	1 1/16 1 1/8 1 3/16 1 1/4(s) 30mm	2.4409 62.000	1.65 41.9	1.500 38.10	0.709 18.00	0.059 1.50	0.6260 15.900	0.874 22.20	2.185 55.50	0.37 9.3	8-32x5/8	4370	2320
GR207 -20 GR207 -21 GR207 -22 GR207 -23 GR207 -35mm	1 1/4 1 5/16 1 3/8 1 7/16 35mm	2.8346 72.000	1.87 47.5	1.689 42.90	0.748 19.00	0.079 2.00	0.6890 17.500	1.000 25.40	2.575 65.40	0.44 11.2	10-24x3/4	5770	3150
GR208 -24 GR208 -25 GR208 -40mm	1 1/2 1 9/16 40mm	3.1496 80.000	2.11 53.7	1.937 49.20	0.866 22.00	0.079 2.00	0.7480 19.000	1.189 30.20	2.693 68.40	0.43 11.0	10-24x3/4	7340	3650



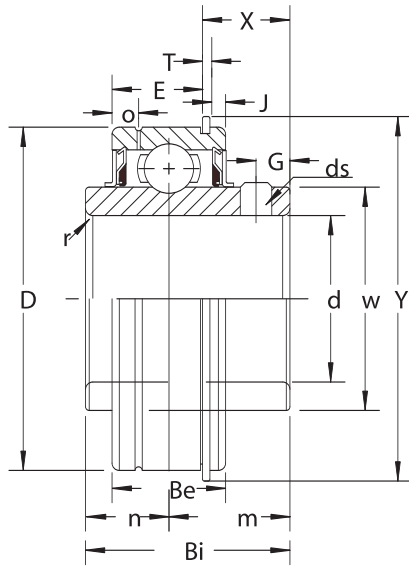
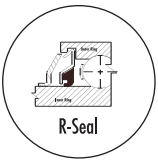
Unit No.	Dimensions ⁱⁿ / _{mm}											Load Rating (Lbs.)	
	Shaft Diam.	D	L	Bi	Be	r	n	m	W	K	ds (UNF-Thread)	Dynamic	Static
												Dynamic	Static
GR209 -26	1 5/8												
GR209 -27	1 11/16	3.3465	2.12	1.937	0.866	0.079	0.7480	1.189	2.933	0.45	10-24x3/4	7350	4150
GR209 -28	1 3/4	85.000	53.9	49.20	22.00	2.00	19.000	30.20	74.50	11.5			
GR209 -45mm	45mm												
GR210 -29	1 13/16										1/4-20x1	7880	4650
GR210 -30	1 7/8	3.5433	2.27	2.031	0.866	0.079	0.7480	1.283	3.386	0.57			
GR210 -31	1 15/16	90.000	57.6	51.60	22.00	2.00	19.000	32.60	86.00	14.5			
GR210 -32	2(s)												
GR210 -50mm	50mm												
GR211 -32	2										1/4-20x1	9740	5850
GR211 -33	2 1/16	3.9370	2.43	2.189	0.984	0.098	0.8740	1.315	3.504	0.58			
GR211 -34	2 1/8	100.000	61.7	55.60	25.00	2.50	22.200	33.40	89.00	14.8			
GR211 -35	2 3/16												
GR211 -55mm	55mm												
GR212 -36	2 1/4										5/16-18x1	11780	7250
GR212 -37	2 5/16	4.3307	2.85	2.563	1.063	0.098	1.0000	1.563	4.055	0.69			
GR212 -38	2 3/8	110.000	72.3	65.10	27.00	2.50	25.400	39.70	103.00	17.5			
GR212 -39	2 7/16												
GR212 -60mm	60mm												
GR213 -40	2 1/2	4.7244	2.85	2.563	1.063	0.098	1.0000	1.563	4.114	0.69	5/16-18x1	13980	8000
GR213 -41	2 9/16	120.000	72.3	65.10	27.00	2.50	25.400	39.70	104.50	17.5			
GR213 -65mm	65mm												
GR214 -42	2 5/8										5/16-18x1	14000	8800
GR214 -43	2 11/16	4.9213	3.22	2.937	1.142	0.098	1.1890	1.748	4.390	0.69			
GR214 -44	2 3/4	125.000	81.8	74.60	29.00	2.50	30.200	44.40	111.50	17.5			
GR214 -70mm	70mm												
GR215 -46	2 7/8										3/8-16x1.5	14830	9750
GR215 -47	2 15/16	5.1181	3.36	3.063	1.181	0.098	1.3110	1.752	4.646	0.71			
GR215 -48	3	130.000	85.3	77.80	30.00	2.50	33.300	44.50	118.00	18.0			
GR215 -75mm	75mm												

Standard Mounted Units



Insert Bearings

SER Series Set Screw Locking



- Popular series used in many roller applications
- Standard load capacity
- Wide inner ring with cylindrical outer ring and snap ring
- Relubrication groove with oil hole on side opposite of set screws
- Nylon patched class 3A set screws are standard
- Standard seal: R-Seal

Triple lip seal and other options: See page 83

Unit No.	Shaft Diam.	Dimensions ⁱⁿ / _{mm}														Load Rating (Lbs.)	
		D	Bi	Be	n	m	E	W	o	T	J	G	Y	X	ds (UNF-Thread)	Dynamic	Static
SER -8 SER -9 SER -10 SER -11 SER -12 SER -20mm	1/2 9/16 5/8 11/16 3/4 20mm	1.8504 47.000	1.220 31.00	0.626 15.90	0.4528 11.500	0.768 19.50	0.48 12.1	1.130 28.70	0.157 4.00	0.05 1.35	0.10 2.46	0.197 5.00	2.07 52.70	0.60 15.36	1/4-28x1/4 M6XP1.0	2900	1410
SER -14 SER -15 SER -16 SER -25mm	7/8 15/16 1 25mm	2.0472 52.000	1.374 34.90	0.752 19.10	0.5157 13.100	0.858 21.80	0.60 15.3	1.327 33.70	0.205 5.20	0.05 1.35	0.10 2.46	0.220 5.60	2.28 57.90	0.63 16.06	1/4-28x1/4 M6XP1.0	3150	1610
SER -17 SER -18 SER -19 SER -20S SER -30mm	1 1/16 1 1/8 1 3/16 1 1/4(s) 30mm	2.4409 62.000	1.500 38.10	0.874 22.20	0.6260 15.900	0.874 22.20	0.67 17.0	1.567 39.80	0.220 5.60	0.07 1.90	0.13 3.28	0.220 5.60	2.67 67.70	0.64 16.28	1/4-28x1/4 M6XP1.0	4370	2320
SER -20 SER -21 SER -22 SER -23 SER -35mm	1 1/4 1 5/16 1 3/8 1 7/16 35mm	2.8346 72.000	1.689 42.90	0.937 23.80	0.6890 17.500	1.000 25.40	0.73 18.6	1.843 46.80	0.220 5.60	0.07 1.90	0.13 3.28	0.252 6.40	3.09 78.60	0.74 18.68	5/16-24x5/16 M8XP1.0	5770	3150
SER -24 SER -25 SER -40mm	1 1/2 1 9/16 40mm	3.1496 80.000	1.937 49.20	1.094 27.80	0.7480 19.000	1.189 30.20	0.89 22.6	2.067 52.50	0.252 6.40	0.07 1.90	0.13 3.28	0.315 8.00	3.41 86.60	0.85 21.48	5/16-24x5/16 M8XP1.0	7340	3650
SER -26 SER -27 SER -28 SER -45mm	1 5/8 1 11/16 1 3/4 45mm	3.3465 85.000	1.937 49.20	1.094 27.80	0.7480 19.000	1.189 30.20	0.89 22.6	2.256 57.30	0.252 6.40	0.07 1.90	0.13 3.28	0.315 8.00	3.61 91.60	0.85 21.48	5/16-24x5/16 M8XP1.0	7350	4150
SER -30 SER -31 SER -32S SER -50mm	1 7/8 1 15/16 2 (s) 50mm	3.5433 90.000	2.031 51.60	1.126 28.60	0.7480 19.000	1.283 32.60	0.89 22.6	2.445 62.10	0.295 7.50	0.11 2.70	0.13 3.28	0.374 9.50	3.80 96.50	0.96 24.28	3/8-24x3/8 M10XP1.25	7880	4650
SER -32 SER -34 SER -35 SER -55mm	2 2 1/8 2 3/16 55mm	3.9370 100.000	2.189 55.60	1.189 30.20	0.8740 22.200	1.315 33.40	0.95 24.2	2.756 70.00	0.295 7.50	0.11 2.70	0.13 3.28	0.374 9.50	4.19 106.50	0.96 24.28	3/8-24x3/8 M10XP1.25	9740	5850
SER -36 SER -38 SER -39 SER -60mm	2 1/4 2 3/8 2 7/16 60mm	4.3307 110.000	2.563 65.10	1.252 31.80	1.0000 25.400	1.563 39.70	1.02 25.8	3.031 77.00	0.295 7.50	0.11 2.70	0.13 3.28	0.437 11.10	4.59 116.60	1.17 29.78	3/8-24x3/8 M10XP1.25	11780	7250
SER -40 SER -43 SER -70mm	2 1/2 2 11/16 70mm	4.9213 125.000	2.752 69.90	1.374 34.90	1.0630 27.000	1.689 42.90	1.09 27.7	3.425 87.00	0.311 7.90	0.12 3.10	0.16 4.06	0.437 11.10	5.30 134.70	1.28 32.61	3/8-24x3/8 M10XP1.25	13980	8000
SER -46 SER -47 SER -75mm	2 7/8 2 15/16 75mm	5.1181 130.000	3.063 77.80	1.500 38.10	1.3110 33.300	1.752 44.50	1.22 30.9	3.602 91.50	0.394 10.00	0.12 3.10	0.16 4.06	0.437 11.10	5.50 139.70	1.28 32.61	7/16-20x7/16 M12XP1.5	14000	8800
SER -55	3 7/16	5.9055 150.000	3.374 85.70	1.937 49.20	1.3425 34.100	2.031 51.60	1.62 41.2	4.134 105.00	0.441 11.20	0.12 3.10	0.19 4.90	0.472 12.00	6.29 159.70	1.38 35.00	7/16-20x7/16 M12XP1.5	17680	11600

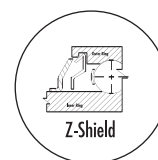
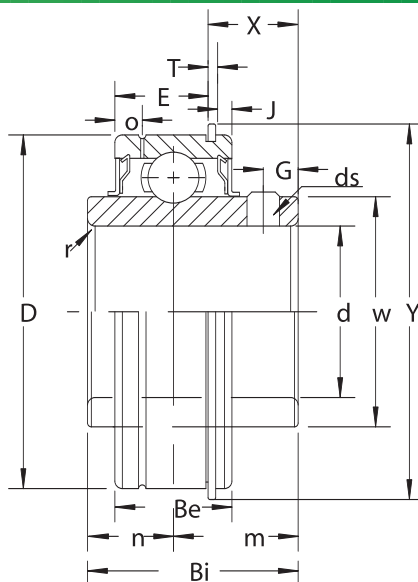
Insert Bearings

SER-ZSFF & SER-ZMKFF Free Spinning Series Set Screw Locking



- ZSFF Series has oil lubrication only while ZMKFF is manufactured with light grease fill to ensure "free running/low drag"
- Standard load capacity
- Wide inner ring with cylindrical outer ring and snap ring
- Relubrication groove with oil hole on side opposite of set screws
- Black oxide plated inner and outer rings
- Nylon patched class 3A set screws are standard
- Standard seal: 'Z' -non contact shields with slinger cover

Options seals: See page 83



Dimensions in mm

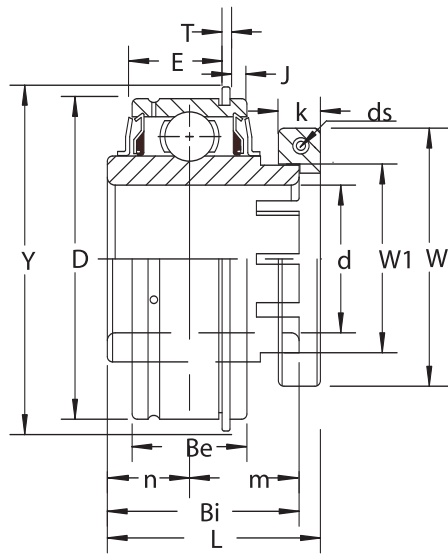
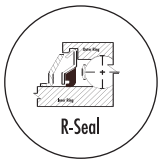
Unit No.	Shaft Diam.	D	Bi	Be	n	m	E	W	o	T	J	G	Y	X	ds (UNF-Thread)	Load Rating (Lbs.)		
																Dynamic	Static	
SER -8-ZSFF	SER -8-ZMKFF	1/2														2900	1410	
SER -9-ZSFF	SER -9-ZMKFF	9/16	1.8504	1.220	0.626	0.4528	0.768	0.48	1.130	0.157	0.05	0.10	0.197	2.07	0.60			1/4-28x1/4 M6XP1.0
SER -10-ZSFF	SER -10-ZMKFF	5/8	47.000	31.00	15.90	11.500	19.50	12.1	28.70	4.00	1.35	2.46	5.00	52.70	15.36			
SER -11-ZSFF	SER -11-ZMKFF	11/16																
SER -12-ZSFF	SER -12-ZMKFF	3/4														3150	1610	
SER -20mm-ZSFF	SER -20mm-ZMKFF	20mm	2.0472	1.374	0.752	0.5157	0.858	0.60	1.327	0.205	0.05	0.10	0.220	2.28	0.63			1/4-28x1/4 M6XP1.0
SER -14-ZSFF	SER -14-ZMKFF	7/8	52.000	34.90	19.10	13.100	21.80	15.3	33.70	5.20	1.35	2.46	5.60	57.90	16.06			
SER -15-ZSFF	SER -15-ZMKFF	15/16																
SER -16-ZSFF	SER -16-ZMKFF	1														4370	2320	
SER -25mm-ZSFF	SER -25mm-ZMKFF	25mm	2.4409	1.500	0.874	0.6260	0.874	0.67	1.567	0.220	0.07	0.13	0.220	2.67	0.64			1/4-28x1/4 M6XP1.0
SER -17-ZSFF	SER -17-ZMKFF	1 1/16	62.000	38.10	22.20	15.900	22.20	17.0	39.80	5.60	1.90	3.28	5.60	67.70	16.28			
SER -18-ZSFF	SER -18-ZMKFF	1 1/8																
SER -19-ZSFF	SER -19-ZMKFF	1 3/16														5770	3150	
SER -20S-ZSFF	SER -20S-ZMKFF	1 1/4(s)	2.8346	1.689	0.937	0.6890	1.000	0.73	1.843	0.220	0.07	0.13	0.252	3.09	0.74			5/16-24x5/16 M8XP1.0
SER -30mm-ZSFF	SER -30mm-ZMKFF	30mm	72.000	42.90	23.80	17.500	25.40	18.6	46.80	5.60	1.90	3.28	6.40	78.60	18.68			
SER -20-ZSFF	SER -20-ZMKFF	1 1/4																
SER -21-ZSFF	SER -21-ZMKFF	1 5/16														7340	3650	
SER -22-ZSFF	SER -22-ZMKFF	1 3/8	3.1496	1.937	1.094	0.7480	1.189	0.89	2.067	0.252	0.07	0.13	0.315	3.41	0.85			5/16-24x5/16 M8XP1.0
SER -23-ZSFF	SER -23-ZMKFF	1 7/16	80.000	49.20	27.80	19.000	30.20	22.6	52.50	6.40	1.90	3.28	8.00	86.60	21.48			
SER -35mm-ZSFF	SER -35mm-ZMKFF	35mm																
SER -24-ZSFF	SER -24-ZMKFF	1 1/2														7350	4150	
SER -25-ZSFF	SER -25-ZMKFF	1 9/16	3.3465	1.937	1.094	0.7480	1.189	0.89	2.256	0.252	0.07	0.13	0.315	3.61	0.85			5/16-24x5/16 M8XP1.0
SER -40mm-ZSFF	SER -40mm-ZMKFF	40mm	85.000	49.20	27.80	19.000	30.20	22.6	57.30	6.40	1.90	3.28	8.00	91.60	21.48			
SER -26-ZSFF	SER -26-ZMKFF	1 5/8																
SER -27-ZSFF	SER -27-ZMKFF	1 11/16														7880	4650	
SER -28-ZSFF	SER -28-ZMKFF	1 3/4	3.5433	2.031	1.126	0.7480	1.283	0.89	2.445	0.295	0.11	0.13	0.374	3.80	0.96			3/8-24x3/8 M10XP1.25
SER -45mm-ZSFF	SER -45mm-ZMKFF	45mm	90.000	51.60	28.60	19.000	32.60	22.6	62.10	7.50	2.70	3.28	9.50	96.50	24.28			
SER -30-ZSFF	SER -30-ZMKFF	1 7/8																
SER -31-ZSFF	SER -31-ZMKFF	1 15/16														9740	5850	
SER -32S-ZSFF	SER -32S-ZMKFF	2 (s)	3.9370	2.189	1.189	0.8740	1.315	0.95	2.756	0.295	0.11	0.13	0.374	4.19	0.96			3/8-24x3/8 M10XP1.25
SER -50mm-ZSFF	SER -50mm-ZMKFF	50mm	100.000	55.60	30.20	22.200	33.40	24.2	70.00	7.50	2.70	3.28	9.50	106.50	24.28			
SER -32-ZSFF	SER -32-ZMKFF	2																
SER -34-ZSFF	SER -34-ZMKFF	2 1/8														11780	7250	
SER -35-ZSFF	SER -35-ZMKFF	2 3/16	4.3307	2.563	1.252	1.0000	1.563	1.02	3.031	0.295	0.11	0.13	0.437	4.59	1.17			3/8-24x3/8 M10XP1.25
SER -55mm-ZSFF	SER -55mm-ZMKFF	55mm	110.000	65.10	31.80	25.400	39.70	25.8	77.00	7.50	2.70	3.28	11.10	116.60	29.78			
SER -36-ZSFF	SER -36-ZMKFF	2 1/4																
SER -38-ZSFF	SER -38-ZMKFF	2 3/8														13980	8000	
SER -39-ZSFF	SER -39-ZMKFF	2 7/16	4.9213	2.752	1.374	1.0630	1.689	1.09	3.425	0.311	0.12	0.16	0.437	5.30	1.28			3/8-24x3/8 M10XP1.25
SER -60mm-ZSFF	SER -60mm-ZMKFF	60mm	125.000	69.90	34.90	27.000	42.90	27.7	87.00	7.90	3.10	4.06	11.10	134.70	32.61			
SER -40-ZSFF	SER -40-ZMKFF	2 1/2																
SER -43-ZSFF	SER -43-ZMKFF	2 11/16														14000	8800	
SER -70mm-ZSFF	SER -70mm-ZMKFF	70mm	5.1181	3.063	1.500	1.3110	1.752	1.22	3.602	0.394	0.12	0.16	0.437	5.50	1.28			7/16-20x7/16 M12XP1.5
SER -46-ZSFF	SER -46-ZMKFF	2 7/8	130.000	77.80	38.10	33.300	44.50	30.9	91.50	10.00	3.10	4.06	11.10	139.70	32.61			
SER -47-ZSFF	SER -47-ZMKFF	2 15/16																
SER -75mm-ZSFF	SER -75mm-ZMKFF	75mm														17680	11600	
SER -55-ZSFF	SER -55-ZMKFF	3 7/16	5.9055	3.374	1.937	1.3425	2.031	1.62	4.134	0.441	0.12	0.19	0.472	6.29	1.38			
			150.000	85.70	49.20	34.100	51.60	41.2	105.00	11.20	3.10	4.90	12.00	159.70	35.00			

Standard Mounted Units



Insert Bearings

GER Series GRIP-IT 360 Degree Locking



- Popular series used in many roller applications
- Standard load capacity
- Wide inner ring with cylindrical outer ring and snap ring
- Relubrication groove with oil hole on side opposite of locking collar
- Black oxide plated inner and outer rings
- Standard seal: R-Seal

Triple lip seal and other options: See page 83

Unit No.	Shaft Diam.	Dimensions ⁱⁿ _{mm}													Load Rating (Lbs.)		
		D	Bi	Be	L	n	m	E	W1	J	T	Y	K	W	ds (UNF-Thread)	Dynamic	Static
GER204 -12 GER204 -20mm	3/4 20mm	1.8504 47.000	1.220 31.00	0.752 19.10	1.37 34.9	0.5000 12.700	0.720 18.30	0.60 15.3	1.130 28.70	0.10 2.46	0.05 1.35	2.07 52.70	0.37 9.5	1.756 44.60	8-32X5/8	2900	1410
GER205 -14 GER205 -15 GER205 -16 GER205 -25mm	7/8 15/16 1 25mm	2.0472 52.000	1.358 34.50	0.752 19.10	1.51 38.4	0.5630 14.300	0.795 20.20	0.60 15.3	1.327 33.70	0.10 2.46	0.05 1.35	2.28 57.90	0.37 9.5	1.937 49.20	8-32X5/8	3150	1610
GER206 -17 GER206 -18 GER206 -19 GER206 -20 GER206 -30mm	1 1/16 1 1/8 1 3/8 1 1/4(s) 30mm	2.4409 62.000	1.500 38.10	0.874 22.20	1.65 41.9	0.6260 15.900	0.874 22.20	0.67 17.0	1.567 39.80	0.13 3.28	0.07 1.90	2.67 67.70	0.37 9.3	2.185 55.50	8-32X5/8	4370	2320
GER207 -20 GER207 -21 GER207 -22 GER207 -23 GER207 -35mm	1 1/4 1 5/16 1 3/8 1 7/16 35mm	2.8346 72.000	1.689 42.90	0.937 23.80	1.87 47.5	0.6890 17.500	1.000 25.40	0.73 18.6	1.843 46.80	0.13 3.28	0.07 1.90	3.09 78.60	0.44 11.2	2.575 65.40	10-24x3/4	5770	3150
GER208 -24 GER208 -25 GER208 -40mm	1 1/2 1 9/16 40mm	3.1496 80.000	1.937 49.20	1.094 27.80	2.11 53.7	0.7480 19.000	1.189 30.20	0.89 22.6	2.067 52.50	0.13 3.28	0.07 1.90	3.41 86.60	0.43 11.0	2.693 68.40	10-24x3/4	7340	3650
GER209 -26 GER209 -27 GER209 -28 GER209 -45mm	1 5/8 1 11/16 1 3/4 45mm	3.3465 85.000	1.937 49.20	1.094 27.80	2.12 53.9	0.7480 19.000	1.189 30.20	0.89 22.6	2.256 57.30	0.13 3.28	0.07 1.90	3.61 91.60	0.45 11.5	2.933 74.50	10-24x3/4	7350	4150
GER210 -30 GER210 -31 GER210 -32 GER210 -50mm	1 7/8 1 15/16 2 (s) 50mm	3.5433 90.000	2.031 51.60	1.126 28.60	2.27 57.6	0.7480 19.000	1.283 32.60	0.89 22.6	2.445 62.10	0.13 3.28	0.11 2.70	3.80 96.50	0.57 14.5	3.386 86.00	1/4-20x1	7880	4650
GER211 -32 GER211 -34 GER211 -35 GER211 -55mm	2 2 1/8 2 3/16 55mm	3.9370 100.000	2.189 55.60	1.189 30.20	2.43 61.7	0.8740 22.200	1.315 33.40	0.95 24.2	2.756 70.00	0.13 3.28	0.11 2.70	4.19 106.50	0.58 14.8	3.504 89.00	1/4-20x1	9740	5850
GER212 -36 GER212 -37 GER212 -38 GER212 -39 GER212 -60mm	2 1/4 2 5/16 2 3/8 2 7/16 60mm	4.3307 110.000	2.563 65.10	1.252 31.80	2.85 72.3	1.0000 25.400	1.563 39.70	1.02 25.8	3.031 77.00	0.13 3.28	0.11 2.70	4.59 116.60	0.69 17.5	4.055 103.00	5/16-18x1	11780	7250

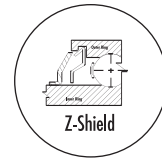
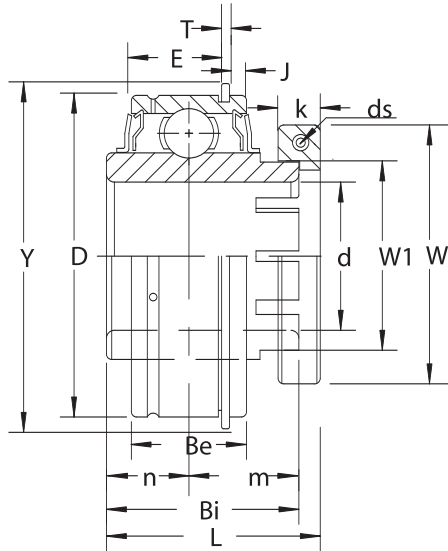
Insert Bearings

GER-ZSFF & GER-ZMKFF Free Spinning Series

GRIP-IT 360 Degree Locking



- ZSFF Series has oil lubrication only while ZMKFF is manufactured with light grease fill to ensure "free running/low drag"
- Standard load capacity
- Wide inner ring with cylindrical outer ring and snap ring
- Relubrication groove with oil hole on side opposite of locking collar
- Black oxide plated inner and outer rings
- Standard seal: 'Z' - non contact shields with slinger cover



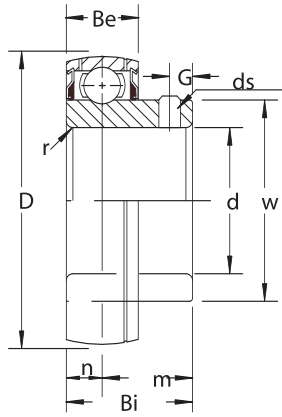
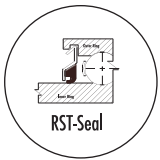
Options seals: See page 83

Unit No.		Dimensions ⁱⁿ _{mm}														Load Rating (Lbs.)		
		Shaft Diam.	D	Bi	Be	L	n	m	E	W1	J	T	Y	K	W	ds (UNF-Thread)	Dynamic	Static
GER204-12-ZSFF	GER204-12-ZMKFF	3/4	1.8504	1.220	0.752	1.37	0.5000	0.720	0.60	1.130	0.10	0.05	2.07	0.37	1.756	8-32X5/8	2900	1410
GER204-20mm-ZSFF	GER204-20mm-ZMKFF	20mm	47.000	31.00	19.10	34.9	12.700	18.30	15.3	28.70	2.46	1.35	52.70	9.5	44.60			
GER205-14-ZSFF	GER205-14-ZMKFF	7/8	2.0472	1.358	0.752	1.51	0.5630	0.795	0.60	1.327	0.10	0.05	2.28	0.37	1.937	8-32X5/8	3150	1610
GER205-15-ZSFF	GER205-15-ZMKFF	15/16																
GER205-16-ZSFF	GER205-16-ZMKFF	1																
GER205-25mm-ZSFF	GER205-25mm-ZMKFF	25mm																
GER206-17-ZSFF	GER206-17-ZMKFF	1 1/16	2.4409	1.500	0.874	1.65	0.6260	0.874	0.67	1.567	0.13	0.07	2.67	0.37	2.185	8-32X5/8	4370	2320
GER206-18-ZSFF	GER206-18-ZMKFF	1 1/8																
GER206-19-ZSFF	GER206-19-ZMKFF	1 3/16																
GER206-20-ZSFF	GER206-20-ZMKFF	1 1/4(s)																
GER206-30mm-ZSFF	GER206-30mm-ZMKFF	30mm																
GER207-20-ZSFF	GER207-20-ZMKFF	1 1/4	2.8346	1.689	0.937	1.87	0.6890	1.000	0.73	1.843	0.13	0.07	3.09	0.44	2.575	10-24x3/4	5770	3150
GER207-21-ZSFF	GER207-21-ZMKFF	1 5/16																
GER207-22-ZSFF	GER207-22-ZMKFF	1 3/8																
GER207-23-ZSFF	GER207-23-ZMKFF	1 7/16																
GER207-35mm-ZSFF	GER207-35mm-ZMKFF	35mm																
GER208-24-ZSFF	GER208-24-ZMKFF	1 1/2	3.1496	1.937	1.094	2.11	0.7480	1.189	0.89	2.067	0.13	0.07	3.41	0.43	2.693	10-24x3/4	7340	3650
GER208-25-ZSFF	GER208-25-ZMKFF	1 9/16																
GER208-40mm-ZSFF	GER208-40mm-ZMKFF	40mm																
GER209-26-ZSFF	GER209-26-ZMKFF	1 5/8	3.3465	1.937	1.094	2.12	0.7480	1.189	0.89	2.256	0.13	0.07	3.61	0.45	2.933	10-24x3/4	7350	4150
GER209-27-ZSFF	GER209-27-ZMKFF	1 11/16																
GER209-28-ZSFF	GER209-28-ZMKFF	1 3/4																
GER209-45mm-ZSFF	GER209-45mm-ZMKFF	45mm																
GER210-30-ZSFF	GER210-30-ZMKFF	1 7/8	3.5433	2.031	1.126	2.27	0.7480	1.283	0.89	2.445	0.13	0.11	3.80	0.57	3.386	1/4-20x1	7880	4650
GER210-31-ZSFF	GER210-31-ZMKFF	1 15/16																
GER210-32-ZSFF	GER210-32-ZMKFF	2 (s)																
GER210-50mm-ZSFF	GER210-50mm-ZMKFF	50mm																
GER211-32-ZSFF	GER211-32-ZMKFF	2	3.9370	2.189	1.189	2.43	0.8740	1.315	0.95	2.756	0.13	0.11	4.19	0.58	3.504	1/4-20x1	9740	5850
GER211-34-ZSFF	GER211-34-ZMKFF	2 1/8																
GER211-35-ZSFF	GER211-35-ZMKFF	2 3/16																
GER211-55mm-ZSFF	GER211-55mm-ZMKFF	55mm																
GER212-36-ZSFF	GER212-36-ZMKFF	2 1/4	4.3307	2.563	1.252	2.85	1.0000	1.563	1.02	3.031	0.13	0.11	4.59	0.69	4.055	5/16-18x1	11780	7250
GER212-37-ZSFF	GER212-37-ZMKFF	2 5/16																
GER212-38-ZSFF	GER212-38-ZMKFF	2 3/8																
GER212-39-ZSFF	GER212-39-ZMKFF	2 7/16																
GER212-60mm-ZSFF	GER212-60mm-ZMKFF	60mm																

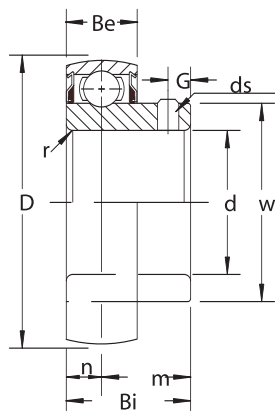
Standard Mounted Units



Insert Bearings for Units FHS200-G / FHS200 Series Set Screw Locking



FHS200-G



FHS200

- Standard load capacity
- Narrow inner ring with spherical outer ring
- Relubrication groove with oil hole on set screw side(Shown)
- Oil hole opposite groove makes it interchangeable with all manufacturers (shown)
- Non-relubricatable bearing available (omit "G" from bearing part number)
- Nylon patched class 3A set screws are standard
- Standard seal: RST tight riding, full cover, metal shroud seals

Optional seals: See page 83

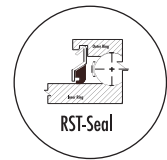
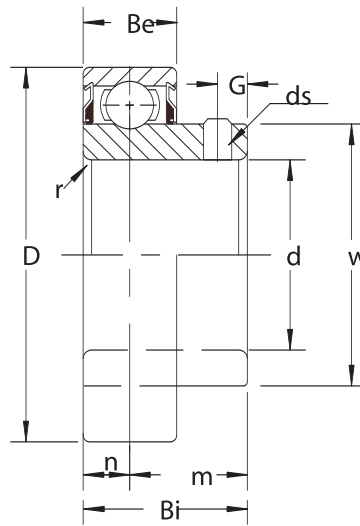
Unit No.	Shaft Diam.	Dimensions ⁱⁿ / _{mm}									Load Rating (Lbs.)	
		D	Bi	Be	r	n	m	G	W	ds (UNF-Thread)	Dynamic	Static
FHS201 -8G FHS201 -12mmG	1/2 12mm	1.5748 40.000	0.886 22.50	0.512 13.00	0.031 0.80	0.2559 6.500	0.630 16.00	0.197 5.00	0.969 24.60	1/4-28x3/16 M6xP1.0	2160	889
FHS202 -9G	9/16											
FHS202 -10G	5/8											
FHS202 -15mmG	15mm											
FHS203 -11G	11/16											
FHS203 -17mmG	17mm											
FHS204 -12G	3/4	1.8504 47.000	0.984 25.00	0.591 15.00	0.059 1.50	0.2953 7.500	0.689 17.50	0.177 4.50	1.130 28.70	1/4-28x1/4 M6xP1.0	2900	1410
FHS204 -13G	13/16											
FHS204 -20mmG	20mm											
FHS205 -12G	3/4	2.0472 52.000	1.063 27.00	0.591 15.00	0.039 1.00	0.2953 7.500	0.768 19.50	0.197 5.00	1.327 33.70	1/4-28x1/4 M6xP1.0	3150	1610
FHS205 -13G	13/16											
FHS205 -14G	7/8											
FHS205 -15G	15/16											
FHS205 -16G	1											
FHS205 -25mmG	25mm											
FHS206 -17G	1 1/16	2.4409 62.000	1.181 30.00	0.709 18.00	0.059 1.50	0.3543 9.000	0.827 21.00	0.285 7.24	1.567 39.80	5/16-24x5/16 M8xP1.0	4370	2320
FHS206 -18G	1 1/8											
FHS206 -19G	1 3/16											
FHS206 -20G	1 1/4(s)											
FHS206 -30mmG	30mm											
FHS207 -20G	1 1/4	2.8346 72.000	1.260 32.00	0.748 19.00	0.079 2.00	0.3740 9.500	0.886 22.50	0.276 7.00	1.843 46.80	5/16-24x5/16 M8xP1.0	5770	3150
FHS207 -21G	1 5/16											
FHS207 -22G	1 3/8											
FHS207 -23G	1 7/16											
FHS207 -35mmG	35mm											
FHS208 -24G	1 1/2	3.1496 80.000	1.496 38.00	0.866 22.00	0.079 2.00	0.4331 11.000	1.063 27.00	0.311 7.90	2.067 52.50	5/16-24x5/16 M8xP1.0	7340	3650
FHS208 -25G	1 9/16											
FHS208 -40mmG	40mm											
FHS209 -26G	1 5/8	3.3465 85.000	1.555 39.50	0.866 22.00	0.079 2.00	0.4331 11.000	1.122 28.50	0.315 8.00	2.256 57.30	5/16-24x5/16 M8xP1.0	7350	4150
FHS209 -27G	1 11/16											
FHS209 -28G	1 3/4											
FHS209 -45mm	45mm											
FHS210 -29G	1 13/16	3.5433 90.000	1.717 43.60	0.866 22.00	0.079 2.00	0.4331 11.000	1.283 32.60	0.394 10.00	2.445 62.10	3/8-24x3/8 M10xP1.25	7880	4650
FHS210 -30G	1 7/8											
FHS210 -31G	1 15/16											
FHS210 -32G	2											
FHS210 -50mmG	50mm											
FHS211 -32G	2	3.9370 100.000	1.807 45.90	0.984 25.00	0.098 2.50	0.4921 12.500	1.315 33.40	0.394 10.00	2.756 70.00	3/8-24x3/8 M10xP1.25	9740	5850
FHS211 -33G	2 1/16											
FHS211 -34G	2 1/8											
FHS211 -35G	2 3/16											
FHS211 -55mm	55mm											

Insert Bearings FHSR200 Series Set Screw Locking



- Standard load capacity
- Narrow inner ring with cylindrical outer ring
- Non-relubricatable bearing is standard (shown)
- Nylon patched class 3A set screws are standard
- Standard seal: RST tight riding, full cover, metal shroud seals

Optional seals: See page 83



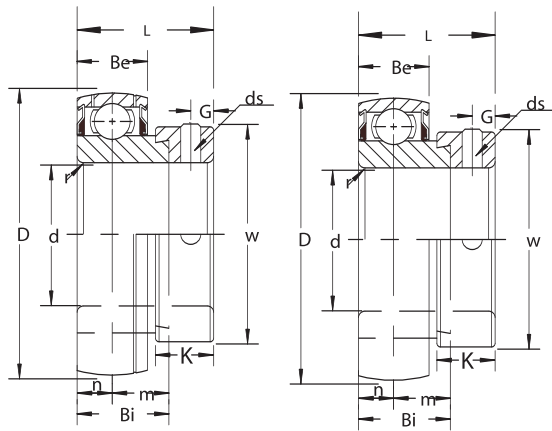
Unit No.	Shaft Diam.	Dimensions ⁱⁿ / _{mm}									Load Rating (Lbs.)	
		D	Bi	Be	r	n	m	G	W	ds (UNF-Thread)	Dynamic	Static
		FHSR201 -8 FHSR201 -12mm FHSR202 -9 FHSR202 -10 FHSR202 -15mm FHSR203 -11 FHSR203 -17mm	1/2 12mm 9/16 5/8 15mm 11/16 17mm	1.5748 40.000	0.886 22.50	0.512 13.00	0.031 0.80	0.2559 6.500	0.630 16.00	0.197 5.00	0.969 24.60	1/4-28x3/16 M6xP1.0
FHSR204 -12 FHSR204 -13 FHSR204 -20mm	3/4 13/16 20mm	1.8504 47.000	0.984 25.00	0.591 15.00	0.059 1.50	0.2953 7.500	0.689 17.50	0.177 4.50	1.130 28.70	1/4-28x1/4 M6xP1.0	2900	1410
FHSR205 -12 FHSR205 -13 FHSR205 -14 FHSR205 -15 FHSR205 -16 FHSR205 -25mm	3/4 13/16 7/8 15/16 1 25mm	2.0472 52.000	1.063 27.00	0.591 15.00	0.039 1.00	0.2953 7.500	0.768 19.50	0.197 5.00	1.327 33.70	1/4-28x1/4 M6xP1.0	3150	1610
FHSR206 -17 FHSR206 -18 FHSR206 -19 FHSR206 -20 FHSR206 -30mm	1 1/16 1 1/8 1 3/16 1 1/4(s) 30mm	2.4409 62.000	1.181 30.00	0.709 18.00	0.059 1.50	0.3543 9.000	0.827 21.00	0.285 7.24	1.567 39.80	5/16-24x5/16 M8xP1.0	4370	2320
FHSR207 -20 FHSR207 -21 FHSR207 -22 FHSR207 -23 FHSR207 -35mm	1 1/4 1 5/16 1 3/8 1 7/16 35mm	2.8346 72.000	1.260 32.00	0.748 19.00	0.079 2.00	0.3740 9.500	0.886 22.50	0.276 7.00	1.843 46.80	5/16-24x5/16 M8xP1.0	5770	3150
FHSR208 -24 FHSR208 -25 FHSR208 -40mm	1 1/2 1 9/16 40mm	3.1496 80.000	1.496 38.00	0.866 22.00	0.079 2.00	0.4331 11.000	1.063 27.00	0.311 7.90	2.067 52.50	5/16-24x5/16 M8xP1.0	7340	3650
FHSR209 -26 FHSR209 -27 FHSR209 -28 FHSR209 -45mm	1 5/8 1 11/16 1 3/4 45mm	3.3465 85.000	1.555 39.50	0.866 22.00	0.079 2.00	0.4331 11.000	1.122 28.50	0.315 8.00	2.256 57.30	5/16-24x5/16 M8xP1.0	7350	4150
FHSR210 -29 FHSR210 -30 FHSR210 -31 FHSR210 -32 FHSR210 -50mm	1 13/16 1 7/8 1 15/16 2 50mm	3.5433 90.000	1.717 43.60	0.866 22.00	0.079 2.00	0.4331 11.000	1.283 32.60	0.394 10.00	2.445 62.10	3/8-24x3/8 M10xP1.25	7880	4650
FHSR211 -32 FHSR211 -33 FHSR211 -34 FHSR211 -35 FHSR211 -55mm	2 2 1/16 2 1/8 2 3/16 55mm	3.9370 100.000	1.807 45.90	0.984 25.00	0.098 2.50	0.4921 12.500	1.315 33.40	0.394 10.00	2.756 70.00	3/8-24x3/8 M10xP1.25	9740	5850

Standard Mounted Units

1. FHSR series can be made with relubrication feature: Example: FHSR205-16G
2. Bearings also available with snap ring installed on the outer race. To order, add suffix 'NR': Example: FHSR205-16NR.



Insert Bearings for Units FH200-G / FH200 Series Eccentric Locking Collar



FH200-G

FH200

- Standard load capacity
- Narrow inner ring with spherical outer ring
- Relubrication groove with oil hole on locking collar side (shown)
- Oil hole opposite groove makes it interchangeable with all manufacturers (shown)
- Non-relubricatable bearing available (omit "G" from bearing part number)
- Nylon patched class 3A set screw in collar is standard
- Standard seal: RST tight riding, full cover, metal shroud seals

Optional seals: See page 83

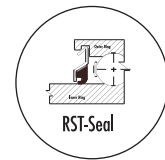
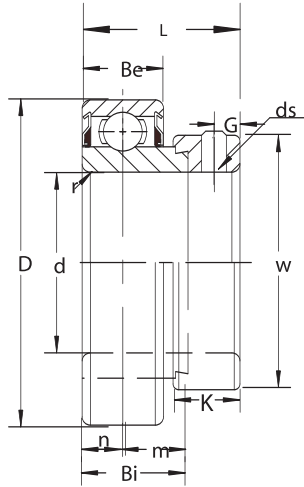
Unit No.	Shaft Diam.	D	L	Bi	Be	r	n	m	W	K	G	ds (UNF-Thread)	Load Rating (Lbs.)	
													Dynamic	Static
FH201 -8G FH201 -12mmG FH202 -9G FH202 -10G FH202 -15mmG FH203 -11G FH203 -17mmG	1/2 12mm 9/16 5/8 15mm 11/16 17mm	1.5748 40.000	1.13 28.6	0.750 19.05	0.512 13.00	0.031 0.80	0.2559 6.500	0.494 12.55	1.126 28.60	0.53 13.5	0.197 5.00	1/4-28x1/4 M6xP1.0	2160	889
FH204 -12G FH204 -13G FH204 -20mmG	3/4 13/16 20mm	1.8504 47.000	1.22 31.0	0.843 21.41	0.591 15.00	0.059 1.50	0.2953 7.500	0.548 13.91	1.260 32.00	0.53 13.5	0.189 4.80	1/4-28x1/4 M6xP1.0	2900	1410
FH205 -12G FH205 -13G FH205 -14G FH205 -15G FH205 -16G FH205 -25mmG	3/4 13/16 7/8 15/16 1 25mm	2.0472 52.000	1.22 31.0	0.846 21.50	0.591 15.00	0.059 1.50	0.2953 7.500	0.551 14.00	1.500 38.10	0.53 13.5	0.189 4.80	1/4-28x1/4 M6xP1.0	3150	1610
FH206 -17G FH206 -18G FH206 -19G FH206 -20G FH206 -30mmG	1 1/16 1 1/8 1 3/16 1 1/4(s) 30mm	2.4409 62.000	1.41 35.7	0.938 23.82	0.709 18.00	0.059 1.50	0.3543 9.000	0.583 14.82	1.752 44.50	0.63 15.9	0.285 7.24	5/16-24x5/16 M8xP1.0	4370	2320
FH207 -20G FH207 -21G FH207 -22G FH207 -23G FH207 -35mmG	1 1/4 1 5/16 1 3/8 1 7/16 35mm	2.8346 72.000	1.53 38.9	1.000 25.40	0.748 19.00	0.079 2.00	0.3740 9.500	0.626 15.90	2.189 55.60	0.69 17.5	0.256 6.50	3/8-24x3/8 M10xP1.25	5770	3150
FH208 -24G FH208 -25G FH208 -40mmG	1 1/2 1 9/16 40mm	3.1496 80.000	1.72 43.7	1.188 30.18	0.866 22.00	0.079 2.00	0.4331 11.000	0.755 19.18	2.378 60.40	0.72 18.3	0.276 7.00	3/8-24x3/8 M10xP1.25	7340	3650
FH209 -26G FH209 -27G FH209 -28G FH209 -45mmG	1 5/8 1 11/16 1 3/4 45mm	3.3465 85.000	1.72 43.7	1.188 30.18	0.866 22.00	0.079 2.00	0.4331 11.000	0.755 19.18	2.500 63.50	0.72 18.3	0.276 7.00	3/8-24x3/8 M10xP1.25	7350	4150
FH210 -29G FH210 -30G FH210 -31G FH210 -32G FH210 -50mmG	1 13/16 1 7/8 1 15/16 2(s) 50mm	3.5433 90.000	1.72 43.7	1.188 30.18	0.866 22.00	0.079 2.00	0.4331 11.000	0.755 19.18	2.752 69.90	0.72 18.3	0.256 6.50	3/8-24x3/8 M10xP1.25	7880	4650
FH211 -32G FH211 -33G FH211 -34G FH211 -35G FH211 -55mmG	2 2 1/16 2 1/8 2 3/16 55mm	3.9370 100.000	1.91 48.4	1.280 32.50	0.984 25.00	0.098 2.50	0.4921 12.500	0.787 20.00	3.000 76.20	0.81 20.6	0.315 8.00	7/16-20x7/16 M12xP1.25	9740	5850
FH212 -36G FH212 -39G	2 1/4 2 7/16	4.3307 110.000	1.94 49.3	1.319 33.50	1.063 27.00	0.098 2.50	0.5315 13.500	0.787 20.00	3.315 84.20	0.88 22.3	0.315 8.00	7/16-20x7/16 M12xP1.25	11780	7250

Insert Bearings FHR200 Series Eccentric Locking Collar



- Standard load capacity
- Narrow inner ring with cylindrical outer ring
- Non-relubricatable bearing is standard (shown)
- Nylon patched class 3A set screw is standard in collar
- Standard seal: RST tight riding, full cover, metal shroud seals

Optional seals: See page 83



FHR200

Unit No.	Dimensions ⁱⁿ / _{mm}												Load Rating (Lbs.)	
	Shaft Diam.	D	L	Bi	Be	r	n	m	W	K	G	ds (UNF-Thread)	Dynamic	Static
FHR201 -8 FHR201 -12mm FHR202 -9 FHR202 -10 FHR202 -15mm FHR203 -11 FHR203 -17mm	1/2 12mm 9/16 5/8 15mm 11/16 17mm	1.5748 40.000	1.13 28.6	0.750 19.05	0.512 13.00	0.031 0.80	0.2559 6.500	0.494 12.55	1.126 28.60	0.53 13.5	0.197 5.00	1/4-28x1/4 M6xP1.0	2160	889
FHR204 -12 FHR204 -13 FHR204 -20mm	3/4 13/16 20mm	1.8504 47.000	1.22 31.0	0.843 21.41	0.591 15.00	0.059 1.50	0.2953 7.500	0.548 13.91	1.260 32.00	0.53 13.5	0.189 4.80	1/4-28x1/4 M6xP1.0	2900	1410
FHR205 -12 FHR205 -13 FHR205 -14 FHR205 -15 FHR205 -16 FHR205 -25mm	3/4 13/16 7/8 15/16 1 25mm	2.0472 52.000	1.22 31.0	0.846 21.50	0.591 15.00	0.059 1.50	0.2953 7.500	0.551 14.00	1.500 38.10	0.53 13.5	0.189 4.80	1/4-28x1/4 M6xP1.0	3150	1610
FHR206 -17 FHR206 -18 FHR206 -19 FHR206 -20 FHR206 -30mm	1 1/16 1 1/8 1 3/16 1 1/4(s) 30mm	2.4409 62.000	1.41 35.7	0.938 23.82	0.709 18.00	0.059 1.50	0.3543 9.000	0.583 14.82	1.752 44.50	0.63 15.9	0.285 7.24	5/16-24x5/16 M8xP1.0	4370	2320
FHR207 -20 FHR207 -21 FHR207 -22 FHR207 -23 FHR207 -35mm	1 1/4 1 5/16 1 3/8 1 7/16 35mm	2.8346 72.000	1.53 38.9	1.000 25.40	0.748 19.00	0.079 2.00	0.3740 9.500	0.626 15.90	2.189 55.60	0.69 17.5	0.256 6.50	3/8-24x3/8 M10xP1.25	5770	3150
FHR208 -24 FHR208 -25 FHR208 -40mm	1 1/2 1 9/16 40mm	3.1496 80.000	1.72 43.7	1.188 30.18	0.866 22.00	0.079 2.00	0.4331 11.000	0.755 19.18	2.378 60.40	0.72 18.3	0.276 7.00	3/8-24x3/8 M10xP1.25	7340	3650
FHR209 -26 FHR209 -27 FHR209 -28 FHR209 -45mm	1 5/8 1 11/16 1 3/4 45mm	3.3465 85.000	1.72 43.7	1.188 30.18	0.866 22.00	0.079 2.00	0.4331 11.000	0.755 19.18	2.500 63.50	0.72 18.3	0.276 7.00	3/8-24x3/8 M10xP1.25	7350	4150
FHR210 -29 FHR210 -30 FHR210 -31 FHR210 -32 FHR210 -50mm	1 13/16 1 7/8 1 15/16 2(s) 50mm	3.5433 90.000	1.72 43.7	1.188 30.18	0.866 22.00	0.079 2.00	0.4331 11.000	0.755 19.18	2.752 69.90	0.72 18.3	0.256 6.50	3/8-24x3/8 M10xP1.25	7880	4650
FHR211 -32 FHR211 -33 FHR211 -34 FHR211 -35 FHR211 -55mm	2 2 1/16 2 1/8 2 3/16 55mm	3.9370 100.00	1.91 48.4	1.280 32.50	0.984 25.00	0.098 2.50	0.4921 12.500	0.787 20.00	3.000 76.20	0.81 20.6	0.315 8.00	7/16-20x7/16 M12xP1.25	9740	5850
FHR212 -36 FHR212 -39	2 1/4 2 7/16	4.3307 110.00	1.94 49.3	1.319 33.50	1.063 27.00	0.098 2.50	0.5315 13.500	0.787 20.00	3.315 84.20	0.88 22.3	0.315 8.00	7/16-20x7/16 M12xP1.25	11780	7250

1. FHR series can be made with relubrication feature: Example: FHR205-16G
2. Bearings also available with snap ring installed on the outer race. To order, add suffix 'NR': Example: FHR205-16NR

Standard Mounted Units

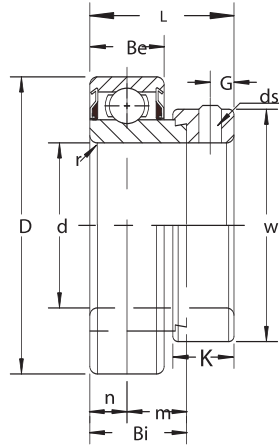


Insert Bearings

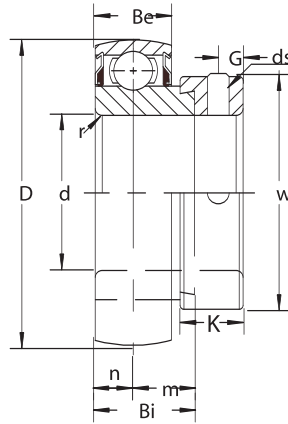
FHRL200 / FHL200 Series Eccentric Locking Collar

- Lighter load capacity compared to FHR200 Series
- Narrow inner ring
- Non-lubricatable bearing
- Nylon patched class 3A set screw in collar is standard
- Standard seal: RST tight riding, full cover, metal shroud seals

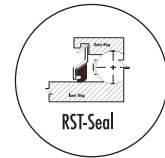
Optional seals: See page 83



FHRL - Cylindrical outer ring



FHL - Spherical outer ring



		Dimensions <small>in mm</small>										Load Rating (Lbs.)	
Cylindrical OD Unit No.	Spherical OD Unit No.	Shaft Diam.	D	L	Bi	Be	n	m	W	K	ds (UNF-Thread)	Dynamic	Static
FHRL201 -8	FHL201 -8	1/2	1.3780	0.94	0.6260	0.4331	0.2165	0.4094	1.000	0.44	10-32x1/4	1700	680
FHRL202 -9	FHL202 -9	9/16	35.000	24.0	15.900	11.000	5.500	10.400	25.40	11.1			
FHRL202 -10	FHL202 -10	5/8											
FHRL6004 -12	FHL6004 -12	3/4	1.6535	0.97	0.6575	0.4724	0.2362	0.4213	1.173	0.44	10-32x1/4	2320	1000
FHRL6005 -13	FHL6005 -13	13/16	42.000	24.6	16.700	12.000	6.000	10.700	29.80	11.1			
FHRL6005 -14	FHL6005 -14	7/8											
FHRL6005 -15	FHL6005 -15	15/16	1.8504	1.00	0.6890	0.4724	0.2362	0.4528	1.421	0.47	10-32x1/4	2500	1120
FHRL6005 -16	FHL6005 -16	1	47.000	25.4	17.500	12.000	6.000	11.500	36.10	11.9			
FHRL6006 -17	FHL6006 -17	1 1/16											
FHRL6006 -18	FHL6006 -18	1 1/8	2.1654	1.03	0.7205	0.5118	0.2559	0.4646	1.673	0.47	10-32x1/4	3350	1560
FHRL6006 -19	FHL6006 -19	1 3/16	55.000	26.2	18.300	13.000	6.500	11.800	42.50	11.9			
FHRL6006 -20	FHL6006 -20	1 1/4											