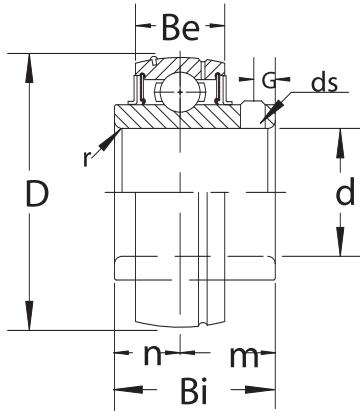


Stainless Steel Insert Bearings for Units SUC200 Series Set Screw Locking



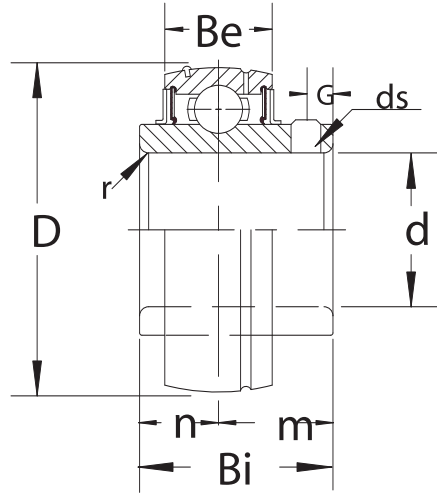
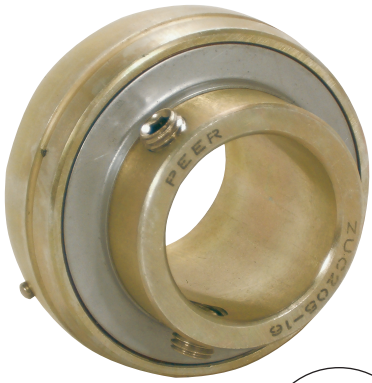
- For stainless steel grade specifications, see page 101
- Wide inner ring with spherical outer ring
- Relubrication groove with oil hole on set screw side
- Anti-rotation pin on side opposite grease groove
- Supplied with water/wash resistant Mobilgrease FM102 (FDA/USDA approved)
- Standard seal: FDA approved silicone rubber seal protected by stainless steel slinger



Unit No.	Shaft Diam.	Dimensions ⁱⁿ / _{mm}							ds (UnF-Thread)	Load Rating (Lbs.)	
		D	Bi	Be	r	n	m	G		Dynamic	Static
		SUC201 -8 SUC202 -10 SUC204 -12 SUC204 -20mm	1/2 5/8 3/4 20mm	1.8504 47.000	1.221 31.00	0.669 17.00	0.039 1.00	0.5000 12.700		0.721 18.30	0.197 5.00
SUC205 -14 SUC205 -15 SUC205 -16 SUC205 -25mm	7/8 15/16 1 25mm	2.0472 52.000	1.343 34.10	0.669 17.00	0.059 1.50	0.5630 14.300	0.780 19.80	0.197 5.00	1/4-28x1/4 M6xP75	2520	1288
SUC206 -18 SUC206 -19 SUC206 -20 SUC206 -30mm	1 1/8 1 3/16 1 1/4(s) 30mm	2.4409 62.000	1.500 38.10	0.748 19.00	0.059 1.50	0.6260 15.900	0.874 22.20	0.197 5.00	1/4-28x1/4 M6xP75	3496	1856
SUC207 -20 SUC207 -21 SUC207 -22 SUC207 -23 SUC207 -35mm	1 1/4 1 5/16 1 3/8 1 7/16 35mm	2.8346 72.000	1.689 42.90	0.787 20.00	0.079 2.00	0.6890 17.500	1.000 25.40	0.236 6.00	5/16-24x5/16 M8xP1.0	4616	2520
SUC208 -24 SUC208 -40mm	1 1/2 40mm	3.1496 80.000	1.937 49.20	0.827 21.00	0.079 2.00	0.7480 19.000	1.189 30.20	0.315 8.00	5/16-24x5/16 M8xP1.0	5872	2920
SUC209 -27 SUC209 -28 SUC209 -45mm	1 11/16 1 3/4 45mm	3.3465 85.000	1.937 49.20	0.866 22.00	0.079 2.00	0.7480 19.000	1.189 30.20	0.315 8.00	5/16-24x5/16 M8xP1.0	5880	3320
SUC210 -31 SUC210 -32 SUC210 -50mm	1 15/16 2(s) 50mm	3.5433 90.000	2.032 51.60	0.945 24.00	0.079 2.00	0.7480 19.000	1.284 32.60	0.394 10.00	3/8-24x3/8 M10xP1.25	6304	3720
SUC211 -32 SUC211 -35 SUC211 -55mm	2 2 3/16 55mm	3.9370 100.000	2.189 55.60	0.984 25.00	0.098 2.50	0.8740 22.200	1.315 33.40	0.394 10.00	3/8-24x3/8 M10xP1.25	7792	4680
SUC212 -39 SUC212 -60mm	2 7/16 60mm	4.3307 110.000	2.563 65.10	1.063 27.00	0.098 2.50	1.0000 25.400	1.563 39.70	0.394 10.00	3/8-24x3/8 M10xP1.25	9424	5800

Wash Down Units

Zinc Chromate Plated Insert Bearings for Units ZUC200 Series Set Screw Locking



- For zinc chromate insert grade specifications, see page 101
- Wide inner ring with spherical outer ring
- Relubrication groove with oil hole on set screw side
- Anti-rotation pin on side opposite grease groove
- Supplied with water/wash resistant Mobilgrease FM102 (FDA/USDA approved)
- Standard seal: FDA approved silicone rubber seal protected by stainless steel slinger

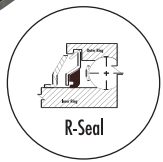
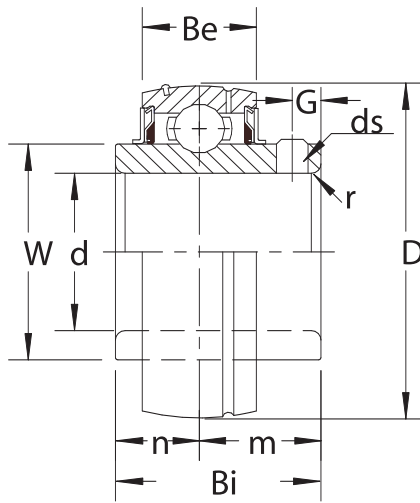
Unit No.	Dimensions ⁱⁿ / _{mm}									Load Rating (Lbs.)	
	Shaft Diam.	D	Bi	Be	r	n	m	G	ds (UNF-Thread)	Dynamic	Static
ZUC201 -8 ZUC202 -10 ZUC204 -12 ZUC204 -20mm	1/2 5/8 3/4 20mm	1.8504 47.000	1.221 31.00	0.669 17.00	0.039 1.00	0.5000 12.700	0.721 18.30	0.197 5.00	1/4-28x1/4 M6xP.75x1/4	2900	1410
ZUC205 -14 ZUC205 -15 ZUC205 -16 ZUC205 -25mm	7/8 15/16 1 25mm	2.0472 52.000	1.343 34.10	0.669 17.00	0.059 1.50	0.5630 14.300	0.780 19.80	0.197 5.00	1/4-28x1/4 M6xP.75	3150	1610
ZUC206 -18 ZUC206 -19 ZUC206 -20 ZUC206 -30mm	1 1/8 1 3/16 1 1/4(s) 30mm	2.4409 62.000	1.500 38.10	0.748 19.00	0.059 1.50	0.6260 15.900	0.874 22.20	0.197 5.00	1/4-28x1/4 M6xP.75	4370	2320
ZUC207 -20 ZUC207 -21 ZUC207 -22 ZUC207 -23 ZUC207 -35mm	1 1/4 1 5/16 1 3/8 1 7/16 35mm	2.8346 72.000	1.689 42.90	0.787 20.00	0.079 2.00	0.6890 17.500	1.000 25.40	0.236 6.00	5/16-24x5/16 M8xP1.0	5770	3150
ZUC208 -24 ZUC208 -40mm	1 1/2 40mm	3.1496 80.000	1.937 49.20	0.827 21.00	0.079 2.00	0.7480 19.000	1.189 30.20	0.315 8.00	5/16-24x5/16 M8xP1.0	7340	3650
ZUC209 -27 ZUC209 -28 ZUC209 -45mm	1 11/16 1 3/4 45mm	3.3465 85.000	1.937 49.20	0.866 22.00	0.079 2.00	0.7480 19.000	1.189 30.20	0.315 8.00	5/16-24x5/16 M8xP1.0	7350	4150
ZUC210 -31 ZUC210 -32 ZUC210 -50mm	1 15/16 2(s) 50mm	3.5433 90.000	2.032 51.60	0.945 24.00	0.079 2.00	0.7480 19.000	1.284 32.60	0.394 10.00	3/8-24x3/8 M10xP1.25	7880	4650
ZUC211 -32 ZUC211 -35 ZUC211 -55mm	2 2 3/16 55mm	3.9370 100.000	2.189 55.60	0.984 25.00	0.098 2.50	0.8740 22.200	1.315 33.40	0.394 10.00	3/8-24x3/8 M10xP1.25	9740	5850
ZUC212 -39 ZUC212 -60mm	2 7/16 60mm	4.3307 110.000	2.563 65.10	1.063 27.00	0.098 2.50	1.0000 25.400	1.563 39.70	0.394 10.00	3/8-24x3/8 M10xP1.25	11780	7250

Black Oxide Plated Insert Bearings for Units UC200-BLK Series Set Screw Locking



- For black oxide bearing specifications, see page 101
- Wide inner ring with spherical outer ring
- Relubrication groove with oil hole on set screw side
- Anti-rotation pin on side opposite grease groove
- Nylon patched class 3A set screws are standard
- Standard seal: R-Seal

Triple lip seal and other options: See page 83

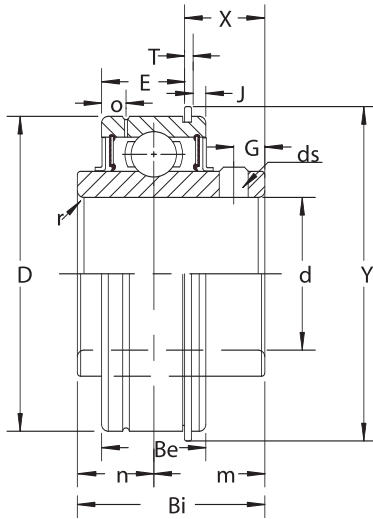


Unit No.	Dimensions <small>in mm</small>										Load Rating (Lbs.)	
	Shaft Diam.	D	Bi	Be	r	n	m	G	W	ds (UnF-Thread)	Dynamic	Static
	UC201 -8-BLK UC201 -12mm-BLK UC202 -9-BLK UC202 -10-BLK UC202 -15mm-BLK UC203 -11-BLK UC203 -17mm-BLK	1/2 12mm 9/16 5/8 15mm 11/16 17mm	1.8504 47.000	1.221 31.00	0.591 15.00	0.039 1.00	0.5000 12.700	0.7205 18.300	0.197 5.00	1.130 28.70	1/4-28x1/4 M6xP1.0	2900
UC204 -12-BLK UC204 -13-BLK UC204 -20mm-BLK	3/4 13/16 20mm	1.8504 47.000	1.221 31.00	0.591 15.00	0.059 1.50	0.5000 12.700	0.7205 18.300	0.197 5.00	1.130 28.70	1/4-28x1/4 M6xP1.0	2900	1410
UC205 -13-BLK UC205 -14-BLK UC205 -15-BLK UC205 -16-BLK UC205 -25mm-BLK	13/16 7/8 15/16 1 25mm	2.0472 52.000	1.339 34.00	0.591 15.00	0.059 1.50	0.5630 14.300	0.7756 19.700	0.217 5.50	1.327 33.70	1/4-28x1/4 M6xP1.0	3150	1610
UC206 -17-BLK UC206 -18-BLK UC206 -19-BLK UC206 -20-BLK UC206 -30mm-BLK	1 1/16 1 1/8 1 3/16 1 1/4(s) 30mm	2.4409 62.000	1.500 38.10	0.709 18.00	0.059 1.50	0.6260 15.900	0.8740 22.200	0.221 5.60	1.567 39.80	1/4-28x1/4 M6xP1.0	4370	2320
UC207 -20-BLK UC207 -21-BLK UC207 -22-BLK UC207 -23-BLK UC207 -35mm-BLK	1 1/4 1 5/16 1 3/8 1 7/16 35mm	2.8346 72.000	1.689 42.90	0.748 19.00	0.079 2.00	0.6890 17.500	1.0000 25.400	0.252 6.40	1.843 46.80	5/16-24x5/16 M8xP1.0	5770	3150
UC208 -24-BLK UC208 -25-BLK UC208 -40mm-BLK	1 1/2 1 9/16 40mm	3.1496 80.000	1.937 49.20	0.866 22.00	0.079 2.00	0.7480 19.000	1.1890 30.200	0.315 8.00	2.067 52.50	5/16-24x5/16 M8xP1.0	7340	3650
UC209 -26-BLK UC209 -27-BLK UC209 -28-BLK UC209 -45mm-BLK	1 5/8 1 11/16 1 3/4 45mm	3.3465 85.000	1.937 49.20	0.866 22.00	0.079 2.00	0.7480 19.000	1.1890 30.200	0.315 8.00	2.256 57.30	5/16-24x5/16 M8xP1.0	7350	4150
UC210 -29-BLK UC210 -30-BLK UC210 -31-BLK UC210 -32-BLK UC210 -50mm-BLK	1 13/16 1 7/8 1 15/16 2(s) 50mm	3.5433 90.000	2.032 51.60	0.866 22.00	0.079 2.00	0.7480 19.000	1.2835 32.600	0.374 9.50	2.445 62.10	3/8-24x3/8 M10xP1.25	7880	4650
UC211 -32-BLK UC211 -33-BLK UC211 -34-BLK UC211 -35-BLK UC211 -55mm-BLK	2 2 1/16 2 1/8 2 3/16 55mm	3.9370 100.000	2.189 55.60	0.984 25.00	0.098 2.50	0.8740 22.200	1.3150 33.400	0.374 9.50	2.756 70.00	3/8-24x3/8 M10xP1.25	9740	5850
UC212 -36-BLK UC212 -37-BLK UC212 -38-BLK UC212 -39-BLK UC212 -60mm-BLK	2 1/4 2 5/16 2 3/8 2 7/16 60mm	4.3307 110.000	2.563 65.10	1.063 27.00	0.098 2.50	1.0000 25.400	1.5630 39.700	0.437 11.10	3.031 77.00	3/8-24x3/8 M10xP1.25	11780	7250

Wash Down Units

Stainless Steel or Zinc Plated Insert Bearings

SSER Stainless Steel / ZSER Zinc Chromate Plated Series



- For stainless steel or zinc chromate insert grade specifications, see page 101
- Set screw locking
- Wide inner ring with cylindrical outer ring and snap ring
- Relubrication groove with oil hole on side opposite of set screws
- Supplied with water/wash resistant Mobilgrease FM102 (FDA/USDA approved)
- Standard seal: FDA approved silicone rubber seal protected by stainless steel slinger

		Dimensions ⁱⁿ / _{mm}														Load Rating (Lbs.)	
Stainless Unit No.	Zinc Unit No.	Shaft Diam.	D	Bi	Be	n	m	E	o	T	J	G	Y	X	ds (UNF-Thread)	Dynamic	Static
SSER -8 SSER -10 SSER -12 SSER -20mm	ZSER -8 ZSER -10 ZSER -12 ZSER -20mm	1/2 5/8 3/4 20mm	1.8504 47.000	1.220 31.00	0.626 15.90	0.4528 11.500	0.768 19.50	0.49 12.37	0.157 4.00	0.04 1.07	0.10 2.46	0.197 5.00	2.07 52.70	0.59 15.08	1/4-28x1/4 M6X0.75	2320	1128
SSER -14 SSER -15 SSER -16 SSER -25mm	ZSER -14 ZSER -15 ZSER -16 ZSER -25mm	7/8 15/16 1 25mm	2.0472 52.000	1.374 34.90	0.752 19.10	0.5157 13.100	0.858 21.80	0.61 15.57	0.205 5.20	0.04 1.07	0.10 2.46	0.217 5.50	2.28 57.90	0.62 15.78	1/4-28x1/4 M6X0.75	2520	1288
SSER -18 SSER -19 SSER -20 SSER -30mm	ZSER -18 ZSER -19 ZSER -20 ZSER -30mm	1 1/8 1 3/16 1 1/4(s) 30mm	2.4409 62.000	1.500 38.10	0.874 22.20	0.6260 15.900	0.874 22.20	0.68 17.37	0.220 5.60	0.06 1.65	0.13 3.18	0.217 5.50	2.67 67.70	0.63 15.93	1/4-28x1/4 M6X0.75	3496	1856
SSER -20 SSER -21 SSER -22 SSER -23 SSER -35mm	ZSER -20 ZSER -21 ZSER -22 ZSER -23 ZSER -35mm	1 1/4 1 5/16 1 3/8 1 7/16 35mm	2.8346 72.000	1.689 42.90	0.937 23.80	0.6890 17.500	1.000 25.40	0.75 18.97	0.220 5.60	0.06 1.65	0.13 3.18	0.256 6.50	3.09 78.60	0.72 18.32	5/16-24x5-16 M8X1	4616	2520
SSER -24 SSER -40mm	ZSER -24 ZSER -40mm	1 1/2 40mm	3.1496 80.000	1.937 49.20	1.094 27.80	0.7480 19.000	1.189 30.20	0.90 22.97	0.252 6.40	0.06 1.65	0.13 3.18	0.315 8.00	3.41 86.60	0.83 21.10	5/16-24x5-16 M8X1	5872	2920
SSER -27 SSER -28 SSER -45mm	ZSER -27 ZSER -28 ZSER -45mm	1 11/16 1 3/4 45mm	3.3465 85.000	1.937 49.20	1.094 27.80	0.7480 19.000	1.189 30.20	0.90 22.97	0.252 6.40	0.06 1.65	0.13 3.18	0.315 8.00	3.61 91.60	0.83 21.10	5/16-24x5-16 M8X1	5880	3320
SSER -31 SSER -32 SSER -50mm	ZSER -31 ZSER -32 ZSER -50mm	1 15/16 2 50mm	3.5433 90.000	2.031 51.60	1.126 28.60	0.7480 19.000	1.283 32.60	0.91 23.01	0.295 7.50	0.09 2.41	0.13 3.18	0.354 9.00	3.80 96.50	0.94 23.84	3/8-24x3/8 M10X1.25	6304	3720
SSER -32 SSER -35 SSER -55mm	ZSER -32 ZSER -35 ZSER -55mm	2 2 3/16 55mm	3.9370 100.000	2.189 55.60	1.189 30.20	0.8740 22.200	1.315 33.40	0.97 24.61	0.295 7.50	0.09 2.41	0.13 3.18	0.354 9.00	4.19 106.50	0.94 23.84	3/8-24x3/8 M10X1.25	7792	4680
SSER -39 SSER -60mm	ZSER -39 ZSER -60mm	2 7/16 60mm	4.3307 110.000	2.563 65.10	1.252 31.80	1.0000 25.400	1.563 39.70	1.03 26.21	0.295 7.50	0.09 2.41	0.13 3.18	0.413 10.50	4.59 116.60	1.16 29.40	3/8-24x3/8 M10X1.25	9424	5800