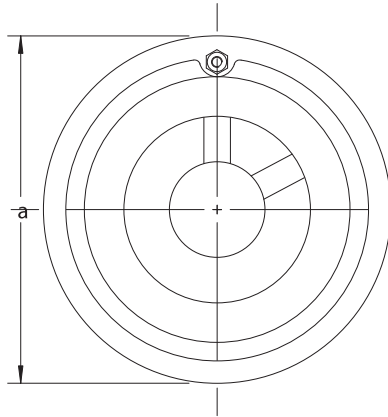
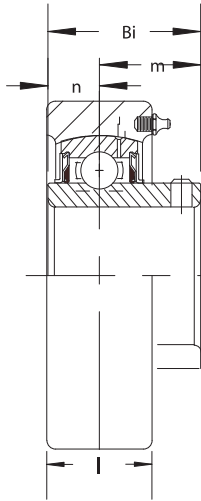
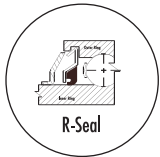




# Cylindrical Cartridge Units

## UCC200 Series Set Screw Locking



- Standard duty, high-grade cast iron
- Wide inner ring bearing
- Relubricatable unit with anti-rotation pin
- Standard seal: R-Seal

Triple lip seal and other options:  
See page 83

Unit No.	Shaft Diam.	Dimensions <sup>in</sup> / <sub>mm</sub>					Bearing No.	Housing No.
		a	l	Bi	n	m		
UCC201 -8	1/2	2.835 72.00	25/32 19.800	1.220 31.00	0.500 12.70	0.72 18.30	UC201 -8	C-204-H
UCC201 -12mm	12mm						UC201 -12mm	
UCC202 -9	9/16						UC202 -9	
UCC202 -10	5/8						UC202 -10	
UCC202 -15mm	15mm						UC202 -15mm	
UCC203 -11	11/16	2.835 72.00	25/32 19.800	1.220 31.00	0.500 12.70	0.72 18.30	UC203 -11	C-204-H
UCC203 -17mm	17mm						UC203 -17mm	
UCC204 -12	3/4						UC204 -12	
UCC204 -13	13/16	2.835 72.00	25/32 19.800	1.220 31.00	0.500 12.70	0.72 18.30	UC204 -13	C-204-H
UCC204 -20mm	20mm						UC204 -20mm	
UCC205 -13	13/16						UC205 -13	
UCC205 -14	7/8	3.150 80.00	55/64 21.800	1.339 34.00	0.563 14.30	0.78 19.70	UC205 -14	C-205-H
UCC205 -15	15/16						UC205 -15	
UCC205 -16	1						UC205 -16	
UCC205 -25mm	25mm						UC205 -25mm	
UCC206 -17	1 1/16						3.347 85.00	
UCC206 -18	1 1/8	UC206 -18						
UCC206 -19	1 3/16	UC206 -19						
UCC206 -20	1 1/4(s)	UC206 -20						
UCC206 -30mm	30mm	UC206 -30mm						
UCC207 -20	1 1/4	3.543 90.00	1 7/64 28.200	1.689 42.90	0.689 17.50	1.00 25.40	UC207 -20	C-207-H
UCC207 -21	1 5/16						UC207 -21	
UCC207 -22	1 3/8						UC207 -22	
UCC207 -23	1 7/16						UC207 -23	
UCC207 -35mm	35mm						UC207 -35mm	
UCC208 -24	1 1/2	3.937 100.00	1 3/16 30.200	1.937 49.20	0.748 19.00	1.19 30.20	UC208 -24	C-208-H
UCC208 -25	1 9/16						UC208 -25	
UCC208 -40mm	40mm						UC208 -40mm	
UCC209 -26	1 5/8	4.331 110.00	1 7/32 31.000	1.937 49.20	0.748 19.00	1.19 30.20	UC209 -26	C-209-H
UCC209 -27	1 11/16						UC209 -27	
UCC209 -28	1 3/4						UC209 -28	
UCC209 -45mm	45mm						UC209 -45mm	
UCC210 -29	1 13/16						4.724 120.00	
UCC210 -30	1 7/8	UC210 -30						
UCC210 -31	1 15/16	UC210 -31						
UCC210 -32	2(s)	UC210 -32						
UCC210 -50mm	50mm	UC210 -50mm						
UCC211 -32	2	4.921 125.00	1 3/8 35.000	2.189 55.60	0.874 22.20	1.31 33.40	UC211 -32	C-211-H
UCC211 -33	2 1/16						UC211 -33	
UCC211 -34	2 1/8						UC211 -34	
UCC211 -35	2 3/16						UC211 -35	
UCC211 -55mm	55mm						UC211 -55mm	
UCC212 -36	2 1/4	5.118 130.00	1 1/2 38.100	2.563 65.10	1.000 25.40	1.56 39.70	UC212 -36	C-212-H
UCC212 -37	2 5/16						UC212 -37	
UCC212 -38	2 3/8						UC212 -38	
UCC212 -39	2 7/16						UC212 -39	
UCC212 -60mm	60mm						UC212 -60mm	
UCC213 -40	2 1/2	5.512 140.00	1 37/64 40.100	2.563 65.10	1.000 25.40	1.56 39.70	UC213 -40	C-213-H
UCC213 -41	2 9/16						UC213 -41	
UCC213 -65mm	65mm						UC213 -65mm	

C series housings can also be combined with the following insert bearings: HC, FH, FHS or GR :  
Example HCC205-16 or FHC205-16.

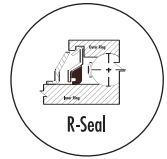
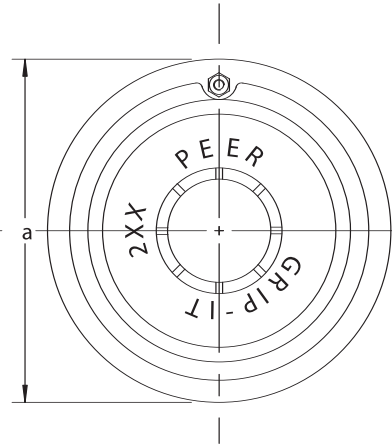
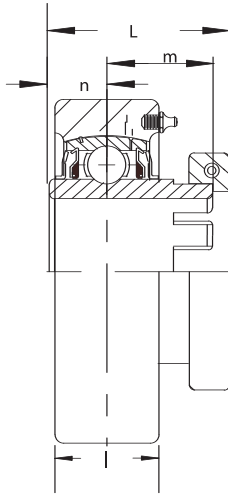
# Cylindrical Cartridge Units

## GRC200 Series GRIP-IT 360 Degree Locking



- Standard duty, high-grade cast iron
- Wide inner ring bearing
- Relubricatable unit with anti-rotation pin
- Black oxide plated inner and outer rings
- Standard seal: R-Seal

Triple lip seal and other options: See page 83



Unit No.	Shaft Diam.	Dimensions <sup>in</sup> <sub>mm</sub>					Bearing No.	Housing No.
		a	l	L	n	m		
GRC204 -12	3/4	2.835	25/32	1.374	0.500	0.72	GR204 -12	C-204-H
GRC204 -13	13/16	72.00	19.800	34.90	12.70	18.30	GR204 -13	
GRC204 -20mm	20mm						GR204 -20mm	
GRC205 -13	13/16	3.150	55/64	1.512	0.563	0.80	GR205 -13	C-205-H
GRC205 -14	7/8						GR205 -14	
GRC205 -15	15/16						GR205 -15	
GRC205 -16	1						GR205 -16	
GRC205 -25mm	25mm						GR205 -25mm	
GRC206 -17	1 1/16	3.347	1 1/16	1.650	0.626	0.87	GR206 -17	C-206-H
GRC206 -18	1 1/8						GR206 -18	
GRC206 -19	1 3/16						GR206 -19	
GRC206 -20	1 1/4(s)						GR206 -20	
GRC206 -30mm	30mm						GR206 -30mm	
GRC207 -20	1 1/4	3.543	1 7/64	1.870	0.689	1.00	GR207 -20	C-207-H
GRC207 -21	1 5/16						GR207 -21	
GRC207 -22	1 3/8						GR207 -22	
GRC207 -23	1 7/16						GR207 -23	
GRC207 -35mm	35mm						GR207 -35mm	
GRC208 -24	1 1/2	3.937	1 3/16	2.114	0.748	1.19	GR208 -24	C-208-H
GRC208 -25	1 9/16						GR208 -25	
GRC208 -40mm	40mm						GR208 -40mm	
GRC209 -26	1 5/8	4.331	1 7/32	2.122	0.748	1.19	GR209 -26	C-209-H
GRC209 -27	1 11/16						GR209 -27	
GRC209 -28	1 3/4						GR209 -28	
GRC209 -45mm	45mm						GR209 -45mm	
GRC210 -29	1 13/16	4.724	1 19/64	2.268	0.748	1.28	GR210 -29	C-210-H
GRC210 -30	1 7/8						GR210 -30	
GRC210 -31	1 15/16						GR210 -31	
GRC210 -32	2(s)						GR210 -32	
GRC210 -50mm	50mm						GR210 -50mm	
GRC211 -32	2	4.921	1 3/8	2.429	0.874	1.31	GR211 -32	C-211-H
GRC211 -33	2 1/16						GR211 -33	
GRC211 -34	2 1/8						GR211 -34	
GRC211 -35	2 3/16						GR211 -35	
GRC211 -55mm	55mm						GR211 -55mm	
GRC212 -36	2 1/4	5.118	1 1/2	2.846	1.000	1.56	GR212 -36	C-212-H
GRC212 -37	2 5/16						GR212 -37	
GRC212 -38	2 3/8						GR212 -38	
GRC212 -39	2 7/16						GR212 -39	
GRC212 -60mm	60mm						GR212 -60mm	
GRC213 -40	2 1/2	5.512	1 37/64	2.846	1.000	1.56	GR213 -40	C-213-H
GRC213 -41	2 9/16						GR213 -41	
GRC213 -65mm	65mm						GR213 -65mm	

Standard Mounted Units