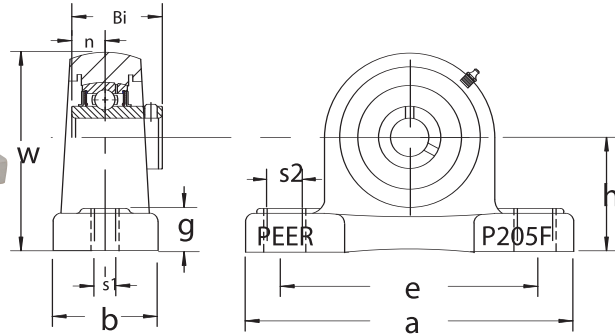




Thermoplastic Pillow Blocks

SUCP200-PBT Stainless Bearing / ZUCP200-PBT Zinc Plated Bearing



- For stainless steel, zinc and PBT grade specifications, see page 101
- Solid base housing construction
- Wide inner ring bearing with set screws
- Relubricatable unit with anti-rotation pin
- Supplied with water/wash resistant Mobilgrease FM102 (FDA/USDA approved)
- Standard seal: FDA approved silicone rubber seal protected by stainless steel slinger
- End caps and open caps w/shaft seals available

SUCP200-PBT with Stainless Steel Insert Bearings

| Unit No. | Dimensions ⁱⁿ / _{mm} | | | | | | | | | | | | Bolt Size In. | Bearing No. | Housing No. |
|--|---|-----------------|-----------------|------------------|---------------|---------------|----------------|----------------|-----------------|---------------|----------------|------|--|--------------|-------------|
| | Shaft Diam. | h | a | e | b | s1 | s2 | g | w | Bi | n | | | | |
| SUCP201 -8-PBT SUCP201 -12m-PBT SUCP202 -9-PBT SUCP202 -10-PBT SUCP202 -15m-PBT SUCP203 -11-PBT SUCP203 -17m-PBT | 1/2 12mm 9/16 5/8 15mm 11/16 17mm | 1 5/16 33.3 | 5 127.0 | 3 3/4 95.0 | 1 1/2 38.0 | 7/16 11.0 | 3 5/64 14.0 | 9/16 14.2 | 2 9/16 65.0 | 1.22 31.00 | 0.500 12.70 | 3/8 | SUC201 -8 SUC201 -12mm SUC202 -9 SUC202 -10 SUC202 -15mm SUC203 -11 SUC203 -17mm | P-204-HA-PBT | |
| SUCP204 -12-PBT SUCP204 -20m-PBT | 3/4 20mm | 1 5/16 33.3 | 5 127.0 | 3 3/4 95.0 | 1 1/2 38.0 | 7/16 11.0 | 3 5/64 14.0 | 9/16 14.2 | 2 9/16 65.0 | 1.22 31.00 | 0.500 12.70 | 3/8 | SUC204 -12 SUC204 -20mm | P-204-HA-PBT | |
| SUCP205 -14-PBT SUCP205 -15-PBT SUCP205 -16-PBT SUCP205 -25m-PBT | 7/8 15/16 1 25mm | 1 7/16 36.5 | 5 1/2 140.0 | 4 1/8 105.0 | 1 1/2 38.0 | 7/16 11.0 | 3 5/64 14.0 | 9/16 14.5 | 2 3/4 71.0 | 1.34 34.10 | 0.563 14.30 | 3/8 | SUC205 -14 SUC205 -15 SUC205 -16 SUC205 -25mm | P-205-HA-PBT | |
| SUCP206 -18-PBT SUCP206 -19-PBT SUCP206 -20-PBT SUCP206 -30m-PBT | 1 1/8 1 3/16 1 1/4(s) 30mm | 1 11/16 42.9 | 6 3/8 162.0 | 4 11/16 119.0 | 1 7/8 46.0 | 17/32 14.0 | 2 3/32 18.0 | 11/16 17.8 | 3 9/32 83.0 | 1.50 38.10 | 0.626 15.90 | 7/16 | SUC206 -18 SUC206 -19 SUC206 -20 SUC206 -30mm | P-206-HA-PBT | |
| SUCP207 -20-PBT SUCP207 -21-PBT SUCP207 -22-PBT SUCP207 -23-PBT SUCP207 -35m-PBT | 1 1/4 1 5/16 1 3/8 1 7/16 35mm | 1 7/8 47.6 | 6 9/16 167.0 | 5 127.0 | 1 7/8 48.0 | 17/32 14.0 | 2 3/32 18.0 | 2 3/32 18.0 | 3 11/16 94.0 | 1.69 42.90 | 0.689 17.50 | 1/2 | SUC207 -20 SUC207 -21 SUC207 -22 SUC207 -23 SUC207 -35mm | P-207-HA-PBT | |
| SUCP208 -24-PBT SUCP208 -40m-PBT | 1 1/2 40mm | 1 15/16 49.2 | 7 1/4 184.0 | 5 3/8 137.0 | 2 1/8 54.0 | 17/32 14.0 | 2 3/32 18.0 | 2 5/32 19.5 | 3 15/16 98.0 | 1.94 49.20 | 0.748 19.00 | 1/2 | SUC208 -24 SUC208 -40mm | P-208-HA-PBT | |

ZUCP200-PBT with Zinc Chromate Plated Insert Bearings

| Unit No. | Dimensions ⁱⁿ / _{mm} | | | | | | | | | | | | Bolt Size In. | Bearing No. | Housing No. |
|--|---|-----------------|-----------------|------------------|---------------|---------------|----------------|----------------|-----------------|---------------|----------------|------|--|--------------|-------------|
| | Shaft Diam. | h | a | e | b | s1 | s2 | g | w | Bi | n | | | | |
| ZUCP201 -8-PBT ZUCP201 -12m-PBT ZUCP202 -9-PBT ZUCP202 -10-PBT ZUCP202 -15m-PBT ZUCP203 -11-PBT ZUCP203 -17m-PBT | 1/2 12mm 9/16 5/8 15mm 11/16 17mm | 1 5/16 33.3 | 5 127.0 | 3 3/4 95.0 | 1 1/2 38.0 | 7/16 11.0 | 17/32 14.0 | 17/32 14.2 | 2 9/16 65.0 | 1.22 31.00 | 0.500 12.70 | 3/8 | ZUC201 -8 ZUC201 -12mm ZUC202 -9 ZUC202 -10 ZUC202 -15mm ZUC203 -11 ZUC203 -17mm | P-204-HA-PBT | |
| ZUCP204 -12-PBT ZUCP204 -20m-PBT | 3/4 20mm | 1 5/16 33.3 | 5 127.0 | 3 3/4 95.0 | 1 1/2 38.0 | 7/16 11.0 | 17/32 14.0 | 17/32 14.2 | 2 9/16 65.0 | 1.22 31.00 | 0.500 12.70 | 3/8 | ZUC204 -12 ZUC204 -20mm | P-204-HA-PBT | |
| ZUCP205 -14-PBT ZUCP205 -15-PBT ZUCP205 -16-PBT ZUCP205 -25m-PBT | 7/16 15/16 1 25mm | 1 7/16 36.5 | 5 1/2 140.0 | 4 1/8 105.0 | 1 1/2 38.0 | 7/16 11.0 | 17/32 14.0 | 9/16 14.5 | 2 3/4 71.0 | 1.34 34.10 | 0.563 14.30 | 3/8 | ZUC205 -14 ZUC205 -15 ZUC205 -16 ZUC205 -25mm | P-205-HA-PBT | |
| ZUCP206 -18-PBT ZUCP206 -19-PBT ZUCP206 -20-PBT ZUCP206 -30m-PBT | 1 1/8 1 3/16 1 1/4(s) 30mm | 1 11/16 42.9 | 6 3/8 162.0 | 4 11/16 119.0 | 1 7/8 46.0 | 17/32 14.0 | 2 3/32 18.0 | 11/16 17.8 | 3 9/32 83.0 | 1.50 38.10 | 0.626 15.90 | 7/16 | ZUC206 -18 ZUC206 -19 ZUC206 -20 ZUC206 -30mm | P-206-HA-PBT | |
| ZUCP207 -20-PBT ZUCP207 -21-PBT ZUCP207 -22-PBT ZUCP207 -23-PBT ZUCP207 -35m-PBT | 1 1/4 1 5/16 1 3/8 1 7/16 35mm | 1 7/8 47.6 | 6 9/16 167.0 | 5 127.0 | 1 7/8 48.0 | 17/32 14.0 | 2 3/32 18.0 | 2 3/32 18.0 | 3 11/16 94.0 | 1.69 42.90 | 0.689 17.50 | 1/2 | ZUC207 -20 ZUC207 -21 ZUC207 -22 ZUC207 -23 ZUC207 -35mm | P-207-HA-PBT | |
| ZUCP208 -24-PBT ZUCP208 -40m-PBT | 1 1/2 40mm | 1 15/16 49.2 | 7 1/4 184.0 | 5 3/8 137.0 | 2 1/8 54.0 | 17/32 14.0 | 2 3/32 18.0 | 2 5/32 19.5 | 3 15/16 98.0 | 1.94 49.20 | 0.748 19.00 | 1/2 | ZUC208 -24 ZUC208 -40mm | P-208-HA-PBT | |

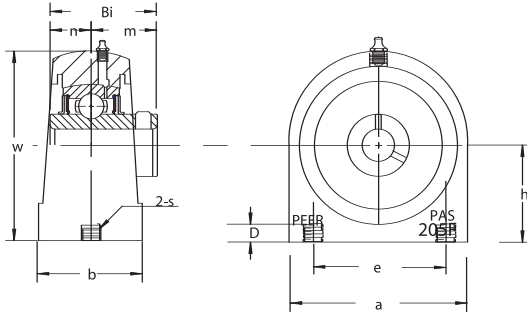
Also available with black oxide plated insert. Part number example: UCP205-16-BPBT.

Tapped Base Pillow Blocks

SUCPAS200-PBT Stainless Bearing / ZUCPAS200-PBT Zinc Plated Bearing



- For stainless steel, zinc and PBT grade specifications, see page 101
- Solid base housing construction
- Wide inner ring bearing with set screws
- Relubricatable unit with anti-rotation pin
- Supplied with water/wash resistant Mobilgrease FM102 (FDA/USDA approved)
- Standard seal: FDA approved silicone rubber seal protected by stainless steel slinger
- End caps and open caps w/ shaft seals available



SUCPAS200-PBT with Stainless Steel Insert Bearings

| Unit No. | Dimensions ⁱⁿ _{mm} | | | | | | | | | | | Bolt Size In. | Bearing No. | Housing No. |
|--|---|-----------------|----------------|---------------|---------------|---------|-----------------|---------------|---------------|----------------|----------------|---------------|--|----------------|
| | Shaft Diam. | h | a | e | b | S UNC | w | D | Bi | n | m | | | |
| SUCPAS201 -8-PBT SUCPAS201 -12m-PBT SUCPAS202 -9-PBT SUCPAS202 -10-PBT SUCPAS202 -15m-PBT SUCPAS203 -11-PBT SUCPAS203 -17m-PBT | 1/2 12mm 9/16 5/8 15mm 11/16 17mm | 1 5/16 33.3 | 2 7/8 73.0 | 2 50.8 | 1 1/2 38.1 | 3/8-16 | 2 19/32 65.9 | 7/16 11.1 | 1.22 31.00 | 0.500 12.70 | 0.720 18.30 | 3/8 | SUC201 -8 SUC201 -12mm SUC202 -9 SUC202 -10 SUC202 -15mm SUC203 -11 SUC203 -17mm | PAS-204-HT-PBT |
| SUCPAS204 -12PBT SUCPAS204 -20m-PBT | 3/4 20mm | 1 5/16 33.3 | 2 7/8 73.0 | 2 50.8 | 1 1/2 38.1 | 3/8-16 | 2 19/32 65.9 | 7/16 11.1 | 1.22 31.00 | 0.500 12.70 | 0.720 18.30 | 3/8 | SUC204 -12 SUC204 -20mm | PAS-204-HT-PBT |
| SUCPAS205 -14-PBT SUCPAS205 -15-PBT SUCPAS205 -16-PBT SUCPAS205 -25m-PBT | 7/8 15/16 1 25mm | 1 7/16 36.5 | 3 76.2 | 2 50.8 | 1 1/2 38.1 | 3/8-16 | 2 7/8 72.0 | 7/16 12.0 | 1.34 34.10 | 0.563 14.30 | 0.780 19.80 | 3/8 | SUC205-14 SUC205 -15 SUC205 -16 SUC205 -25mm | PAS-205-HT-PBT |
| SUCPAS206 -18-PBT SUCPAS206 -19-PBT SUCPAS206 -20-PBT SUCPAS206 -30m-PBT | 1 1/8 1 3/16 1 1/4(s) 30mm | 1 11/16 42.9 | 4 101.6 | 3 76.2 | 1 1/2 38.1 | 7/16-14 | 4 3/8 111.1 | 11/16 17.5 | 1.50 38.10 | 0.626 15.90 | 0.874 22.20 | 7/16 | SUC206 -18 SUC206 -19 SUC206 -20 SUC206 -30mm | PAS-206-HT-PBT |
| SUCPAS207 -20-PBT SUCPAS207 -21-PBT SUCPAS207 -22-PBT SUCPAS207 -23-PBT SUCPAS207 -35m-PBT | 1 1/4 1 5/16 1 3/8 1 7/16 35mm | 1 7/8 47.6 | 4 3/8 110.0 | 3 1/4 82.6 | 1 7/8 48.0 | 1/2-13 | 3 13/32 96.0 | 5/8 16.0 | 1.69 42.90 | 0.689 17.50 | 1.000 25.40 | 1/2 | SUC207 -20 SUC207 -21 SUC207 -22 SUC207 -23 SUC207 -35mm | PAS-207-HT-PBT |
| SUCPAS208 -24-PBT SUCPAS208 -40m-PBT | 1 1/2 40mm | 1 15/16 49.2 | 4 3/4 120.0 | 3 1/2 88.9 | 1 7/8 48.0 | 1/2-13 | 4 101.6 | 41/64 16.0 | 1.94 49.20 | 0.748 19.00 | 1.189 30.20 | 1/2 | SUC208 -24 SUC208 -40mm | PAS-208-HT-PBT |

ZUCPAS200-PBT with Zinc Chromate Plated Insert Bearings

| Unit No. | Dimensions ⁱⁿ _{mm} | | | | | | | | | | | Bolt Size In. | Bearing No. | Housing No. |
|--|---|-----------------|----------------|---------------|---------------|---------|-----------------|---------------|---------------|----------------|----------------|---------------|--|----------------|
| | Shaft Diam. | h | a | e | b | S UNC | w | D | Bi | n | m | | | |
| ZUCPAS201 -8-PBT ZUCPAS201 -12m-PBT ZUCPAS202 -9-PBT ZUCPAS202 -10-PBT ZUCPAS202 -15m-PBT ZUCPAS203 -11-PBT ZUCPAS203 -17m-PBT | 1/2 12mm 9/16 5/8 15mm 11/16 17mm | 1 5/16 33.3 | 2 7/8 73.0 | 2 50.8 | 1 1/2 38.1 | 3/8-16 | 2 19/32 65.9 | 7/16 11.1 | 1.22 31.00 | 0.500 12.70 | 0.720 18.30 | 3/8 | ZUC201 -8 ZUC201 -12mm ZUC202 -9 ZUC202 -10 ZUC202 -15mm ZUC203 -11 ZUC203 -17mm | PAS-204-HT-PBT |
| ZUCPAS204 -12PBT ZUCPAS204 -20m-PBT | 3/4 20mm | 1 5/16 33.3 | 2 7/8 73.0 | 2 50.8 | 1 1/2 38.1 | 3/8-16 | 2 19/32 65.9 | 7/16 11.1 | 1.22 31.00 | 0.500 12.70 | 0.720 18.30 | 3/8 | ZUC204 -12 ZUC204 -20mm | PAS-204-HT-PBT |
| ZUCPAS205 -14-PBT ZUCPAS205 -15-PBT ZUCPAS205 -16-PBT ZUCPAS205 -25m-PBT | 7/8 15/16 1 25mm | 1 7/16 36.5 | 3 76.2 | 2 50.8 | 1 1/2 38.1 | 3/8-16 | 2 7/8 72.0 | 7/16 12.0 | 1.34 34.10 | 0.563 14.30 | 0.780 19.80 | 3/8 | ZUC205 -14 ZUC205 -15 ZUC205 -16 ZUC205 -25mm | PAS-205-HT-PBT |
| ZUCPAS206 -18-PBT ZUCPAS206 -19-PBT ZUCPAS206 -20-PBT ZUCPAS206 -30m-PBT | 1 1/8 1 3/16 1 1/4(s) 30mm | 1 11/16 42.9 | 4 101.6 | 3 76.2 | 1 1/2 38.1 | 7/16-14 | 4 3/8 111.1 | 11/16 17.5 | 1.50 38.10 | 0.626 15.90 | 0.874 22.20 | 7/16 | ZUC206 -18 ZUC206 -19 ZUC206 -20 ZUC206 -30mm | PAS-206-HT-PBT |
| ZUCPAS207 -20-PBT ZUCPAS207 -21-PBT ZUCPAS207 -22-PBT ZUCPAS207 -23-PBT ZUCPAS207 -35m-PBT | 1 1/4 1 5/16 1 3/8 1 7/16 35mm | 1 7/8 47.6 | 4 3/8 110.0 | 3 1/4 82.6 | 1 7/8 48.0 | 1/2-13 | 3 13/32 96.0 | 5/8 16.0 | 1.69 42.90 | 0.689 17.50 | 1.000 25.40 | 1/2 | ZUC207 -20 ZUC207 -21 ZUC207 -22 ZUC207 -23 ZUC207 -35mm | PAS-207-HT-PBT |
| ZUCPAS208 -24-PBT ZUCPAS208 -40m-PBT | 1 1/2 40mm | 1 15/16 49.2 | 4 3/4 120.0 | 3 1/2 88.9 | 1 7/8 48.0 | 1/2-13 | 4 101.6 | 41/64 16.0 | 1.94 49.20 | 0.748 19.00 | 1.189 30.20 | 1/2 | ZUC208 -24 ZUC208 -40mm | PAS-208-HT-PBT |

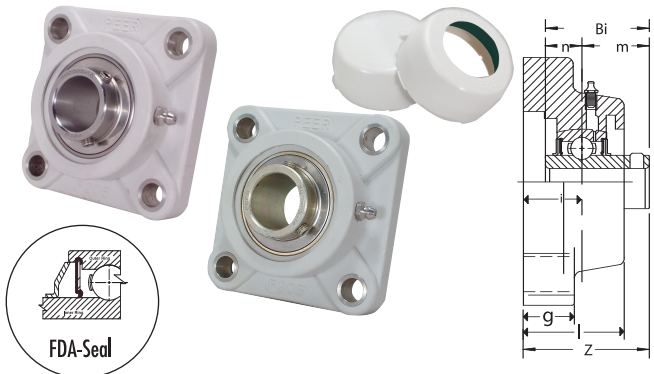
Also available with black oxide plated insert. Part number example: UCPAS205-16-BPBT.

Wash Down Units



Thermoplastic Flange 4 Bolt

SUCF200-PBT Stainless Bearing / ZUCF200-PBT Zinc Plated Bearing



- For stainless steel, zinc and PBT grade specifications, see page 101
- Solid base housing construction
- Wide inner ring bearing with set screws
- Relubricatable unit with anti-rotation pin
- Supplied with water/wash resistant Mobilgrease FM102 (FDA/USDA approved)
- Standard seal: FDA approved silicone rubber seal protected by stainless steel slinger
- Base seals, end caps, and open caps w/shaft seals available

SUCF200-PBT with Stainless Steel Insert Bearings

| Unit No. | Shaft Diam. | Dimensions ⁱⁿ / _{mm} | | | | | | | | | | Bolt Size In. | Bearing No. | Housing No. |
|--|---|--|---------------|---------------|---------------|----------------|---------------|------------------|----------------|----------------|---------------|---------------|--|-------------|
| | | a | e | i | g | l | s | Z | Bi | n | m | | | |
| SUCF201 -8-PBT SUCF201 -12m-PBT SUCF202 -9-PBT SUCF202 -10-PBT SUCF202 -15m-PBT SUCF203 -11-PBT SUCF203 -17m-PBT | 1/2 12mm 9/16 5/8 15mm 11/16 17mm | 3 3/8 86.0 | 2 1/2 63.5 | 0.591 15.0 | 1/2 13.0 | 1 1/8 28.0 | 7/16 11.0 | 1.3110 33.300 | 1.220 31.00 | 0.500 12.70 | 0.72 18.30 | 3/8 | SUC201 -8 SUC201 -12mm SUC202 -9 SUC202 -10 SUC202 -15mm SUC203 -11 SUC203 -17mm | F-204-H-PBT |
| SUCF204 -12-PBT SUCF204 -20m-PBT | 3/4 20mm | 3 3/8 86.0 | 2 1/2 63.5 | 0.591 15.0 | 1/2 13.0 | 1 1/8 28.0 | 7/16 11.0 | 1.3110 33.300 | 1.220 31.00 | 0.500 12.70 | 0.72 18.30 | 3/8 | SUC204 -12 SUC204 -20mm | F-204-H-PBT |
| SUCF205 -14-PBT SUCF205 -15-PBT SUCF205 -16-PBT SUCF205 -25m-PBT | 7/8 15/16 1 25mm | 3 3/4 95.0 | 2 3/4 70.0 | .630 16.0 | 17/32 14.0 | 1 3/16 28.0 | 7/16 11.0 | 1.4094 35.800 | 1.343 34.10 | 0.563 14.30 | 0.78 19.80 | 3/8 | SUC205 -14 SUC205 -15 SUC205 -16 SUC205 -25mm | F-205-H-PBT |
| SUCF206 -18-PBT SUCF206 -19-PBT SUCF206 -20-PBT SUCF206 -30m-PBT | 1 1/8 1 3/16 1 1/4(s) 30mm | 4 1/4 107.0 | 3 1/4 83.0 | .709 18.0 | 17/32 14.0 | 1 7/32 31.0 | 7/16 11.0 | 1.5827 40.200 | 1.500 38.10 | 0.626 15.90 | 0.87 22.20 | 3/8 | SUC206 -18 SUC206 -19 SUC206 -20 SUC206 -30mm | F-206-H-PBT |
| SUCF207 -20-PBT SUCF207 -21-PBT SUCF207 -22-PBT SUCF207 -23-PBT SUCF207 -35m-PBT | 1 1/4 1 5/16 1 3/8 1 7/16 35mm | 4 5/8 117.0 | 3 5/8 92.0 | .748 19.0 | 19/32 15.0 | 1 5/16 33.0 | 1/2 13.0 | 1.7480 44.400 | 1.689 42.90 | 0.689 17.50 | 1.00 25.40 | 1/2 | SUC207 -20 SUC207 -21 SUC207 -22 SUC207 -23 SUC207 -35mm | F-207-H-PBT |
| SUCF208 -24-PBT SUCF208 -40m-PBT | 1 1/2 40mm | 5 1/8 130.0 | 4 102.0 | .827 21.0 | 21/32 17.0 | 1 1/2 38.0 | 17/32 14.0 | 2.0157 51.200 | 1.937 49.20 | 0.748 19.00 | 1.19 30.20 | 1/2 | SUC208 -24 SUC208 -40mm | F-208-H-PBT |

ZUCF200-PBT with Zinc Chromate Plated Insert Bearings

| Unit No. | Shaft Diam. | Dimensions ⁱⁿ / _{mm} | | | | | | | | | | Bolt Size In. | Bearing No. | Housing No. |
|--|---|--|---------------|---------------|---------------|----------------|---------------|------------------|----------------|----------------|---------------|---------------|--|-------------|
| | | a | e | i | g | l | s | Z | Bi | n | m | | | |
| ZUCF201 -8-PBT ZUCF201 -12m-PBT ZUCF202 -9-PBT ZUCF202 -10-PBT ZUCF202 -15m-PBT ZUCF203 -11-PBT ZUCF203 -17m-PBT | 1/2 12mm 9/16 5/8 15mm 11/16 17mm | 3 3/8 86.0 | 2 1/2 63.5 | 0.591 15.0 | 1/2 13.0 | 1 1/8 28.0 | 7/16 11.0 | 1.3110 33.300 | 1.220 31.00 | 0.500 12.70 | 0.72 18.30 | 3/8 | ZUC201 -8 ZUC201 -12mm ZUC202 -9 ZUC202 -10 ZUC202 -15mm ZUC203 -11 ZUC203 -17mm | F-204-H-PBT |
| ZUCF204 -12-PBT ZUCF204 -20m-PBT | 3/4 20mm | 3 3/8 86.0 | 2 1/2 63.5 | 0.591 15.0 | 1/2 13.0 | 1 1/8 28.0 | 7/16 11.0 | 1.3110 33.300 | 1.220 31.00 | 0.500 12.70 | 0.72 18.30 | 3/8 | ZUC204 -12 ZUC204 -20mm | F-204-H-PBT |
| ZUCF205 -14-PBT SUCF205 -15-PBT SUCF205 -16-PBT SUCF205 -25m-PBT | 7/8 15/16 1 25mm | 3 3/4 95.0 | 2 3/4 70.0 | .630 16.0 | 17/32 14.0 | 1 3/16 28.0 | 7/16 11.0 | 1.4094 35.800 | 1.343 34.10 | 0.563 14.30 | 0.78 19.80 | 3/8 | ZUC205 -14 ZUC205 -15 ZUC205 -16 ZUC205 -25mm | F-205-H-PBT |
| ZUCF206 -18-PBT ZUCF206 -19-PBT ZUCF206 -20-PBT ZUCF206 -30m-PBT | 1 1/8 1 3/16 1 1/4(s) 30mm | 4 1/4 107.0 | 3 1/4 83.0 | .709 18.0 | 17/32 14.0 | 1 7/32 31.0 | 7/16 11.0 | 1.5827 40.200 | 1.500 38.10 | 0.626 15.90 | 0.87 22.20 | 3/8 | ZUC206 -18 ZUC206 -19 ZUC206 -20 ZUC206 -30mm | F-206-H-PBT |
| ZUCF207 -20-PBT ZUCF207 -21-PBT ZUCF207 -22-PBT ZUCF207 -23-PBT ZUCF207 -35m-PBT | 1 1/4 1 5/16 1 3/8 1 7/16 35mm | 4 5/8 117.0 | 3 5/8 92.0 | .748 19.0 | 19/32 15.0 | 1 5/16 33.0 | 1/2 13.0 | 1.7480 44.400 | 1.689 42.90 | 0.689 17.50 | 1.00 25.40 | 1/2 | ZUC207 -20 ZUC207 -21 ZUC207 -22 ZUC207 -23 ZUC207 -35mm | F-207-H-PBT |
| ZUCF208 -24-PBT ZUCF208 -40m-PBT | 1 1/2 40mm | 5 1/8 130.0 | 4 102.0 | .827 21.0 | 21/32 17.0 | 1 1/2 38.0 | 17/32 14.0 | 2.0157 51.200 | 1.937 49.20 | 0.748 19.00 | 1.19 30.20 | 1/2 | ZUC208 -24 ZUC208 -40mm | F-208-H-PBT |

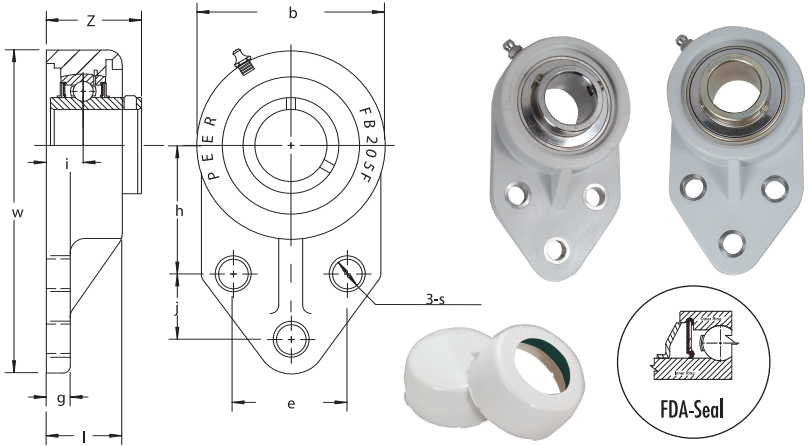
Also available with black oxide plated insert. Part number example: UCF205-16-BPBT

Thermoplastic Flange Bracket 3 Bolt

SUCFB200-PBT Stainless Bearing / ZUCFB200-PBT Zinc Plated Bearing



- For stainless steel, zinc and PBT grade specifications, see page 101
- Solid base housing construction
- Wide inner ring bearing with set screws
- Relubricatable unit with anti-rotation pin
- Supplied with water/wash resistant Mobilgrease FM102 (FDA/USDA approved)
- Standard seal: FDA approved silicone rubber seal protected by stainless steel slinger
- Base seals, end caps, and open caps w/shaft seals available



SUCFB200-PBT with Stainless Steel Insert Bearings

| Unit No. | Shaft Diam. | Dimensions ⁱⁿ / _{mm} | | | | | | | | | | | Bolt Size In. | Bearing No. | Housing No. | |
|---|---|--|-----------------|-----------------|-----------------|---------------|----------------|---------------|---------------|-----------------|---------------|---------------|------------------|-------------|--|---------------|
| | | w | A | b | D | i | l | s | g | h | j | e | | | | Z |
| SUCFB201 -8-PBT SUCFB201 -12m-PBT SUCFB202 -9-PBT SUCFB202 -10-PBT SUCFB202 -15m-PBT SUCFB203 -11-PBT SUCFB203 -17m-PBT | 1/2 12mm 9/16 5/8 15mm 11/16 17mm | 4 5/16 109.5 | 3 1/8 79.4 | 2 3/8 60.3 | 2 3/8 60.3 | 5/8 15.9 | 1 7/64 28.2 | 25/64 9.9 | 3/8 9.5 | 1 11/16 42.9 | 7/8 22.2 | 1 1/2 38.1 | 1.3465 34.200 | 5/16 | SUC201 -8 SUC201 -12mm SUC202 -9 SUC202 -10 SUC202 -15mm SUC203 -11 SUC203 -17mm | FB-204-HA-PBT |
| SUCFB204 -12-PBT SUCFB204 -20m-PBT | 3/4 20mm | 4 5/16 109.5 | 3 1/8 79.4 | 2 3/8 60.3 | 2 3/8 60.3 | 5/8 15.9 | 1 7/64 28.2 | 25/64 9.9 | 3/8 9.5 | 1 11/16 42.9 | 7/8 22.2 | 1 1/2 38.1 | 1.3465 34.200 | 5/16 | SUC204 -12 SUC204 -20mm | FB-204-HA-PBT |
| SUCFB205 -14-PBT SUCFB205 -15-PBT SUCFB205 -16-PBT SUCFB205 -25m-PBT | 7/8 15/16 1 25mm | 4 7/8 123.8 | 3 33/64 89.5 | 2 45/64 68.7 | 2 45/64 68.7 | 21/32 16.7 | 1 7/64 28.2 | 25/64 9.9 | 3/8 9.5 | 1 13/16 46.0 | 1 1/8 28.6 | 1 5/8 41.3 | 1.4370 36.500 | 5/16 | SUC205 -14 SUC205 -15 SUC205 -16 SUC205 -25mm | FB-205-HA-PBT |
| SUCFB206 -18-PBT SUCFB206 -19-PBT SUCFB206 -20-PBT SUCFB206 -30m-PBT | 1 1/8 1 3/16 1 1/4(s) 30mm | 5 3/8 137.0 | 3 5/16 84.2 | 3 1/4 83.0 | 3 76.0 | 3/4 19.0 | 1 1/4 32.0 | 25/64 9.9 | 17/32 13.0 | 2 1/16 52.4 | 1 1/4 31.8 | 1 7/8 47.6 | 1.6220 41.200 | 5/16 | SUC206 -18 SUC206 -19 SUC206 -20 SUC206 -30mm | FB-206-HA-PBT |
| SUCFB207 -20-PBT SUCFB207 -21-PBT SUCFB207 -22-PBT SUCFB207 -23-PBT SUCFB207 -35m-PBT | 1 1/4 1 5/16 1 3/8 1 7/16 35mm | 6 1/8 156.0 | 3 5/8 92.1 | 3 3/4 95.0 | 3 1/2 89.0 | 53/64 21.0 | 1 7/16 37.0 | 33/64 13.1 | 41/64 16.0 | 2 3/8 60.3 | 1 1/4 31.8 | 2 50.8 | 1.8268 46.400 | 7/16 | SUC207 -20 SUC207 -21 SUC207 -22 SUC207 -23 SUC207 -35mm | FB-207-HA-PBT |

ZUCFB200-PBT with Zinc Chromate Plated Insert Bearings

| Unit No. | Shaft Diam. | Dimensions ⁱⁿ / _{mm} | | | | | | | | | | | Bolt Size In. | Bearing No. | Housing No. | |
|---|---|--|-----------------|-----------------|-----------------|---------------|----------------|---------------|---------------|-----------------|---------------|---------------|------------------|-------------|--|---------------|
| | | w | A | b | D | i | l | s | g | h | j | e | | | | Z |
| ZUCFB201 -8-PBT ZUCFB201 -12m-PBT ZUCFB202 -9-PBT ZUCFB202 -10-PBT ZUCFB202 -15m-PBT ZUCFB203 -11-PBT ZUCFB203 -17m-PBT | 1/2 12mm 9/16 5/8 15mm 11/16 17mm | 4 5/16 109.5 | 3 1/8 79.4 | 2 3/8 60.3 | 2 3/8 60.3 | 5/8 15.9 | 1 7/64 28.2 | 25/64 9.9 | 3/8 9.5 | 1 11/16 42.9 | 7/8 22.2 | 1 1/2 38.1 | 1.3465 34.200 | 5/16 | ZUC201 -8 ZUC201 -12mm ZUC202 -9 ZUC202 -10 ZUC202 -15mm ZUC203 -11 ZUC203 -17mm | FB-204-HA-PBT |
| ZUCFB204 -12-PBT ZUCFB204 -20m-PBT | 3/4 20mm | 4 5/16 109.5 | 3 1/8 79.4 | 2 3/8 60.3 | 2 3/8 60.3 | 5/8 15.9 | 1 7/64 28.2 | 25/64 9.9 | 3/8 9.5 | 1 11/16 42.9 | 7/8 22.2 | 1 1/2 38.1 | 1.3465 34.200 | 5/16 | ZUC204 -12 ZUC204 -20mm | FB-204-HA-PBT |
| ZUCFB205 -14-PBT ZUCFB205 -15-PBT ZUCFB205 -16-PBT ZUCFB205 -25m-PBT | 7/8 15/16 1 25mm | 4 7/8 123.8 | 3 33/64 89.5 | 2 45/64 68.7 | 2 45/64 68.7 | 21/32 16.7 | 1 7/64 28.2 | 25/64 9.9 | 3/8 9.5 | 1 13/16 46.0 | 1 1/8 28.6 | 1 5/8 41.3 | 1.4370 36.500 | 5/16 | ZUC205 -14 ZUC205 -15 ZUC205 -16 ZUC205 -25mm | FB-205-HA-PBT |
| ZUCFB206 -18-PBT ZUCFB206 -19-PBT ZUCFB206 -20-PBT ZUCFB206 -30m-PBT | 1 1/8 1 3/16 1 1/4(s) 30mm | 5 3/8 137.0 | 3 5/16 84.2 | 3 1/4 83.0 | 3 76.0 | 3/4 19.0 | 1 1/4 32.0 | 25/64 9.9 | 17/32 13.0 | 2 1/16 52.4 | 1 1/4 31.8 | 1 7/8 47.6 | 1.6220 41.200 | 5/16 | ZUC206 -18 ZUC206 -19 ZUC206 -20 ZUC206 -30mm | FB-206-HA-PBT |
| ZUCFB207 -20-PBT ZUCFB207 -21-PBT ZUCFB207 -22-PBT ZUCFB207 -23-PBT ZUCFB207 -35m-PBT | 1 1/4 1 5/16 1 3/8 1 7/16 35mm | 6 1/8 156.0 | 3 5/8 92.1 | 3 3/4 95.0 | 3 1/2 89.0 | 53/64 21.0 | 1 7/16 37.0 | 33/64 13.1 | 41/64 16.0 | 2 3/8 60.3 | 1 1/4 31.8 | 2 50.8 | 1.8268 46.400 | 7/16 | ZUC207 -20 ZUC207 -21 ZUC207 -22 ZUC207 -23 ZUC207 -35mm | FB-207-HA-PBT |

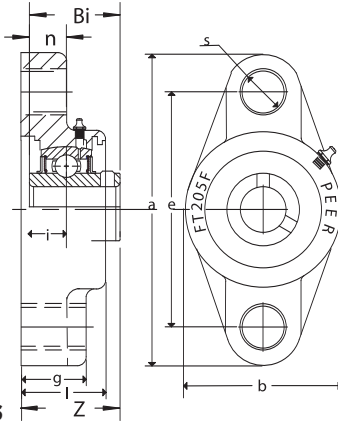
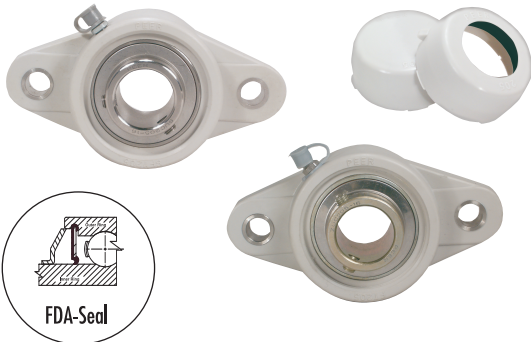
Also available with black oxide plated insert. Part number example: UCFB205-16-BPBT

Wash Down Units



Thermoplastic Flange 2 Bolt

SUCFT200-PBT Stainless Bearing / ZUCFT200-PBT Zinc Plated Bearings



- For stainless steel, zinc and PBT grade specifications, see page 101
- Solid base housing construction
- Wide inner ring bearing with set screws
- Relubricatable unit with anti-rotation pin
- Supplied with water/wash resistant Mobilgrease FM102 (FDA/USDA approved)
- Standard seal: FDA approved silicone rubber seal protected by stainless steel slinger
- Base seals, end caps, and open caps w/shaft seals available

SUCFT200-PBT with Stainless Steel Insert Bearings

| Dimensions in mm | | | | | | | | | | | | | | |
|-------------------|-------------|---------|---------|------|-------|---------|-------|---------|--------|-------|-------|---------------|--------------|--------------|
| Unit No. | Shaft Diam. | a | e | i | g | l | s | b | Z | Bi | n | Bolt Size In. | Bearing No. | Housing No. |
| SUCFT201 -8-PBT | 1/2 | | | | | | | | | | | | | |
| SUCFT201 -12m-PBT | 12mm | | | | | | | | | | | | SUC201 -8 | |
| SUCFT202 -9-PBT | 9/16 | | | | | | | | | | | | SUC201 -12mm | |
| SUCFT202 -10-PBT | 5/8 | 4 7/16 | 3 35/64 | .591 | 7/16 | 1 1/16 | 7/16 | 2 3/8 | 1.3110 | 1.220 | 0.500 | 3/8 | SUC202 -9 | FT-204-H-PBT |
| SUCFT202 -15m-PBT | 15mm | 113.0 | 90.0 | 15.0 | 12.0 | 26.5 | 11.0 | 64.0 | 33.300 | 31.00 | 12.70 | | SUC202 -10 | |
| SUCFT203 -11-PBT | 11/16 | | | | | | | | | | | | SUC202 -15mm | |
| SUCFT203 -17m-PBT | 17mm | | | | | | | | | | | | SUC203 -11 | |
| SUCFT204 -12-PBT | 3/4 | 4 7/16 | 3 35/64 | .591 | 7/16 | 1 1/16 | 7/16 | 2 3/8 | 1.3110 | 1.220 | 0.500 | 3/8 | SUC203 -17mm | |
| SUCFT204 -20m-PBT | 20mm | 113.0 | 90.0 | 15.0 | 12.0 | 26.5 | 11.0 | 64.0 | 33.300 | 31.00 | 12.70 | | SUC204 -12 | FT-204-H-PBT |
| SUCFT205 -14-PBT | 7/8 | | | | | | | | | | | | SUC204 -20mm | |
| SUCFT205 -15-PBT | 15/16 | 5 1/8 | 3 57/64 | .630 | 1/2 | 1 5/32 | 7/16 | 2 11/16 | 1.4094 | 1.343 | 0.563 | 3/8 | SUC205 -14 | FT-205-H-PBT |
| SUCFT205 -16-PBT | 1 | 130.0 | 99.0 | 16.0 | 14.0 | 29.5 | 11.0 | 68.0 | 35.800 | 34.10 | 14.30 | | SUC205 -15 | |
| SUCFT205 -25m-PBT | 25mm | | | | | | | | | | | | SUC205 -16 | |
| SUCFT206 -18-PBT | 1 1/8 | | | | | | | | | | | | SUC205 -25mm | |
| SUCFT206 -19-PBT | 1 3/16 | 5 13/16 | 4 39/64 | .709 | 1/2 | 1 7/32 | 7/16 | 3 1/8 | 1.5827 | 1.500 | 0.626 | 3/8 | SUC206 -18 | FT-206-H-PBT |
| SUCFT206 -20-PBT | 1 1/4(s) | 148.0 | 117.0 | 18.0 | 14.0 | 30.5 | 11.0 | 80.0 | 40.200 | 38.10 | 15.90 | | SUC206 -19 | |
| SUCFT206 -30m-PBT | 30mm | | | | | | | | | | | | SUC206 -20 | |
| SUCFT207 -20-PBT | 1 1/4 | 6 7/16 | 5 1/8 | .748 | 19/32 | 1 9/32 | 1/2 | 3 9/16 | 1.7480 | 1.689 | 0.689 | 1/2 | SUC206 -30mm | |
| SUCFT207 -21-PBT | 1 5/16 | | | | | | | | | | | | SUC207 -20 | FT-207-H-PBT |
| SUCFT207 -22-PBT | 1 3/8 | 163.0 | 130.0 | 19.0 | 16.0 | 32.8 | 13.0 | 90.0 | 44.400 | 42.90 | 17.50 | | SUC207 -21 | |
| SUCFT207 -23-PBT | 1 7/16 | | | | | | | | | | | | SUC207 -22 | |
| SUCFT207 -35m-PBT | 35mm | | | | | | | | | | | | SUC207 -23 | |
| SUCFT208 -24-PBT | 1 1/2 | 6 7/8 | 5 43/64 | .827 | 25/32 | 1 15/32 | 17/32 | 3 15/16 | 2.0157 | 1.937 | 0.748 | 1/2 | SUC207 -35mm | |
| SUCFT208 -40m-PBT | 40mm | 175.0 | 144.0 | 21.0 | 20.0 | 37.5 | 14.0 | 100.0 | 51.200 | 49.20 | 19.00 | | SUC208 -24 | FT-208-H-PBT |
| | | | | | | | | | | | | | SUC208 -40mm | |

ZUCFT200-PBT with Zinc Chromate Plated Insert Bearings

| Dimensions in mm | | | | | | | | | | | | | | |
|-------------------|-------------|---------|---------|------|-------|---------|-------|---------|--------|-------|-------|---------------|--------------|--------------|
| Unit No. | Shaft Diam. | a | e | i | g | l | s | b | Z | Bi | n | Bolt Size In. | Bearing No. | Housing No. |
| ZUCFT201 -8-PBT | 1/2 | | | | | | | | | | | | | |
| ZUCFT201 -12m-PBT | 12mm | | | | | | | | | | | | ZUC201 -8 | |
| ZUCFT202 -9-PBT | 9/16 | | | | | | | | | | | | ZUC201 -12mm | |
| ZUCFT202 -10-PBT | 5/8 | 4 7/16 | 3 35/64 | .591 | 7/16 | 1 1/16 | 7/16 | 2 3/8 | 1.3110 | 1.220 | 0.500 | 3/8 | ZUC202 -9 | FT-204-H-PBT |
| ZUCFT202 -15m-PBT | 15mm | 113.0 | 90.0 | 15.0 | 12.0 | 26.5 | 11.0 | 64.0 | 33.300 | 31.00 | 12.70 | | ZUC202 -10 | |
| ZUCFT203 -11-PBT | 11/16 | | | | | | | | | | | | ZUC202 -15mm | |
| ZUCFT203 -17m-PBT | 17mm | | | | | | | | | | | | ZUC203 -11 | |
| ZUCFT204 -12-PBT | 3/4 | 4 7/16 | 3 35/64 | .591 | 7/16 | 1 1/16 | 7/16 | 2 3/8 | 1.3110 | 1.220 | 0.500 | 3/8 | ZUC203 -17mm | |
| ZUCFT204 -20m-PBT | 20mm | 113.0 | 90.0 | 15.0 | 12.0 | 26.5 | 11.0 | 64.0 | 33.300 | 31.00 | 12.70 | | ZUC204 -12 | FT-204-H-PBT |
| ZUCFT205 -14-PBT | 7/8 | | | | | | | | | | | | ZUC204 -20mm | |
| ZUCFT205 -15-PBT | 15/16 | 5 1/8 | 3 57/64 | .630 | 1/2 | 1 5/32 | 7/16 | 2 11/16 | 1.4094 | 1.343 | 0.563 | 3/8 | ZUC205 -14 | FT-205-H-PBT |
| ZUCFT205 -16-PBT | 1 | 130.0 | 99.0 | 16.0 | 14.0 | 29.5 | 11.0 | 68.0 | 35.800 | 34.10 | 14.30 | | ZUC205 -15 | |
| ZUCFT205 -25m-PBT | 25mm | | | | | | | | | | | | ZUC205 -16 | |
| ZUCFT206 -18-PBT | 1 1/8 | | | | | | | | | | | | ZUC205 -25mm | |
| ZUCFT206 -19-PBT | 1 3/16 | 5 13/16 | 4 39/64 | .709 | 1/2 | 1 7/32 | 7/16 | 3 1/8 | 1.5827 | 1.500 | 0.626 | 3/8 | ZUC206 -18 | FT-206-H-PBT |
| ZUCFT206 -20-PBT | 1 1/4(s) | 148.0 | 117.0 | 18.0 | 14.0 | 30.5 | 11.0 | 80.0 | 40.200 | 38.10 | 15.90 | | ZUC206 -19 | |
| ZUCFT206 -30m-PBT | 30mm | | | | | | | | | | | | ZUC206 -20 | |
| ZUCFT207 -20-PBT | 1 1/4 | 6 7/16 | 5 1/8 | .748 | 19/32 | 1 9/32 | 1/2 | 3 9/16 | 1.7480 | 1.689 | 0.689 | 1/2 | ZUC206 -30mm | |
| ZUCFT207 -21-PBT | 1 5/16 | | | | | | | | | | | | ZUC207 -20 | FT-207-H-PBT |
| ZUCFT207 -22-PBT | 1 3/8 | 163.0 | 130.0 | 19.0 | 16.0 | 32.8 | 13.0 | 90.0 | 44.400 | 42.90 | 17.50 | | ZUC207 -21 | |
| ZUCFT207 -23-PBT | 1 7/16 | | | | | | | | | | | | ZUC207 -22 | |
| ZUCFT207 -35m-PBT | 35mm | | | | | | | | | | | | ZUC207 -23 | |
| ZUCFT208 -24-PBT | 1 1/2 | 6 7/8 | 5 43/64 | .827 | 25/32 | 1 15/32 | 17/32 | 3 15/16 | 2.0157 | 1.937 | 0.748 | 1/2 | ZUC207 -35mm | |
| ZUCFT208 -40m-PBT | 40mm | 175.0 | 144.0 | 21.0 | 20.0 | 37.5 | 14.0 | 100.0 | 51.200 | 49.20 | 19.00 | | ZUC208 -24 | FT-208-H-PBT |
| | | | | | | | | | | | | | ZUC208 -40mm | |

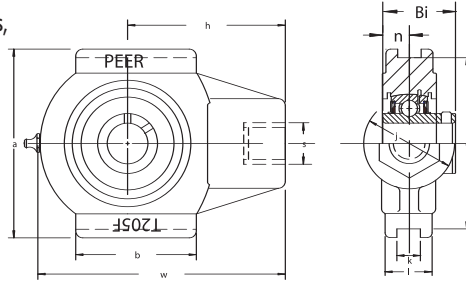
Also available with black oxide plated insert. Part number example: UCFT205-16-BPBT

Thermoplastic Take Up

SUCT200-PBT Stainless Bearing / ZUCT200-PBT Zinc Plated Bearing



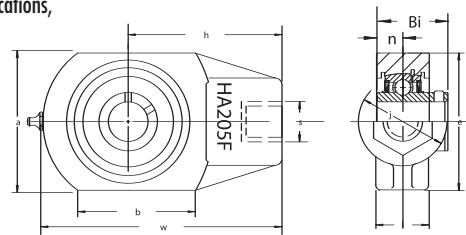
- For stainless steel, zinc and PBT grade specifications, see page 101
- Wide inner ring bearing with set screws
- Relubricatable unit with anti-rotation pin
- Supplied with water/wash resistant Mobilgrease FM102 (FDA/USDA approved)
- Standard seal: FDA approved silicone rubber seal protected by stainless steel slinger
- End caps and open caps w/shaft seals available



| | | Dimensions in mm | | | | | | | | | | | | | | |
|--------------------|------------------|------------------|--------|--------|-------|--------|--------|---------|---------|---------|--------|-------|-------|-----------------------|------------------|-------------|
| Stainless Unit No. | Zinc Unit No. | Shaft Diam. | a | e | k | s | h | l | b | w | j | Bi | n | Stainless Bearing No. | Zinc Bearing No. | Housing No. |
| SUCT201 -8-PBT | ZUCT201 -8-PBT | 1/2 | | | | | | | | | | | | SUC201 -8 | ZUC201 -8 | T-204-H-PBT |
| SUCT201 -12m-PBT | ZUCT201 -12m-PBT | 12mm | | | | | | | | | | | | SUC201 -12mm | ZUC201 -12mm | |
| SUCT202 -9-PBT | ZUCT202 -9-PBT | 9/16 | | | | | | | | | | | | SUC202 -9 | ZUC202 -9 | |
| SUCT202 -10-PBT | ZUCT202 -10-PBT | 5/8 | 3 1/2 | 3 | 15/32 | 1/2-13 | 2 3/8 | 1 1/32 | 1 7/8 | 3 3/4 | 1 3/16 | 1.220 | 0.500 | SUC202 -10 | ZUC202 -10 | |
| SUCT202 -15m-PBT | ZUCT202 -15m-PBT | 15mm | 89.0 | 76.2 | 11.9 | | 60.3 | 26.2 | 47.6 | 95.3 | 30.2 | 31.00 | 12.70 | SUC202 -15mm | ZUC202 -15mm | |
| SUCT203 -11-PBT | ZUCT203 -11-PBT | 11/16 | | | | | | | | | | | | SUC203 -11 | ZUC203 -11 | |
| SUCT203 -17m-PBT | ZUCT203 -17m-PBT | 17mm | | | | | | | | | | | | SUC203 -17mm | ZUC203 -17mm | |
| SUCT204 -12-PBT | ZUCT204 -12-PBT | 3/4 | 3 1/2 | 3 | 15/32 | 1/2-13 | 2 3/8 | 1 1/32 | 1 7/8 | 3 3/4 | 1 3/16 | 1.220 | 0.500 | SUC204 -12 | ZUC204 -12 | T-204-H-PBT |
| SUCT204 -20m-PBT | ZUCT204 -20m-PBT | 20mm | 89.0 | 76.2 | 11.9 | | 60.3 | 26.2 | 47.6 | 95.3 | 30.2 | 31.00 | 12.70 | SUC204 -20mm | ZUC204 -20mm | |
| SUCT205 -14-PBT | ZUCT205 -14-PBT | 7/8 | | | | | | | | | | | | SUC205 -14 | ZUC205 -14 | T-205-H-PBT |
| SUCT205 -15-PBT | ZUCT205 -15-PBT | 15/16 | 3 1/2 | 3 | 15/32 | 1/2-13 | 2 9/16 | 1 1/8 | 1 7/8 | 3 15/16 | 1 3/8 | 1.343 | 0.563 | SUC205 -15 | ZUC205 -15 | |
| SUCT205 -16-PBT | ZUCT205 -16-PBT | 1 | 89.0 | 76.2 | 11.9 | | 65.1 | 28.6 | 47.6 | 100.0 | 35.0 | 34.10 | 14.30 | SUC205 -16 | ZUC205 -16 | |
| SUCT205 -25m-PBT | ZUCT205 -25m-PBT | 25mm | | | | | | | | | | | | SUC205 -25mm | ZUC205 -25mm | |
| SUCT206 -18-PBT | ZUCT206 -18-PBT | 1 1/8 | | | | | | | | | | | | SUC206 -18 | ZUC206 -18 | T-206-H-PBT |
| SUCT206 -19-PBT | ZUCT206 -19-PBT | 1 3/16 | 4 1/16 | 3 1/2 | 15/32 | 5/8-11 | 2 3/4 | 1 11/32 | 2 1/4 | 4 1/2 | 1 5/8 | 1.500 | 0.626 | SUC206 -19 | ZUC206 -19 | |
| SUCT206 -20-PBT | ZUCT206 -20-PBT | 1 1/4(s) | 103.2 | 88.9 | 11.9 | | 69.9 | 34.1 | 57.2 | 114.3 | 41.3 | 38.10 | 15.90 | SUC206 -20 | ZUC206 -20 | |
| SUCT206 -30m-PBT | ZUCT206 -30m-PBT | 30mm | | | | | | | | | | | | SUC206 -30mm | ZUC206 -30mm | |
| SUCT207 -20-PBT | ZUCT207 -20-PBT | 1 1/4 | | | | | | | | | | | | SUC207 -20 | ZUC207 -20 | T-207-H-PBT |
| SUCT207 -21-PBT | ZUCT207 -21-PBT | 1 5/16 | 4 1/16 | 3 1/2 | 15/32 | 5/8-11 | 3 3/16 | 1 19/32 | 2 11/16 | 5 3/16 | 1 5/8 | 1.689 | 0.689 | SUC207 -21 | ZUC207 -21 | |
| SUCT207 -22-PBT | ZUCT207 -22-PBT | 1 3/8 | 103.2 | 88.9 | 11.9 | | 81.0 | 40.5 | 68.3 | 131.8 | 41.3 | 42.90 | 17.50 | SUC207 -22 | ZUC207 -22 | |
| SUCT207 -23-PBT | ZUCT207 -23-PBT | 1 7/16 | | | | | | | | | | | | SUC207 -23 | ZUC207 -23 | |
| SUCT207 -35m-PBT | ZUCT207 -35m-PBT | 35mm | | | | | | | | | | | | SUC207 -35mm | ZUC207 -35mm | |
| SUCT208 -24-PBT | ZUCT208 -24-PBT | 1 1/2 | 4 1/2 | 4 1/16 | 5/8 | 5/8-11 | 3 1/2 | 1 31/32 | 3 3/16 | 5 11/16 | 1 5/8 | 1.937 | 0.748 | SUC208 -24 | ZUC208 -24 | T-208-H-PBT |
| SUCT208 -40m-PBT | ZUCT208 -40m-PBT | 40mm | 114.3 | 103.2 | 15.9 | | 88.9 | 50.0 | 81.0 | 144.5 | 41.3 | 49.20 | 19.00 | SUC208 -40mm | ZUC208 -40mm | |

Thermoplastic Hanger SUCHA200-PBT Stainless Bearing/ZUCHA200-PBT Zinc Plated Bearing

- For stainless steel, zinc and PBT grade specifications, see page 101
- Wide inner ring bearing with set screws
- Relubricatable unit with anti-rotation pin
- Supplied with water/wash resistant Mobilgrease FM102 (FDA/USDA approved)
- Standard seal: FDA approved silicone rubber seal protected by stainless steel slinger
- End caps and open caps w/shaft seals available



Wash Down Units

| | | Dimensions in mm | | | | | | | | | | | | | | |
|--------------------|-------------------|------------------|---------|---------|--------|---------|--------|--------|-------|-------|-------|-----------------------|------------------|--------------|--|--|
| Stainless Unit No. | Zinc Unit No. | Shaft Diam. | a | W | h | l | j | K | Bi | n | m | Stainless Bearing No. | Zinc Bearing No. | Housing No. | | |
| SUCHA201 -8-PBT | ZUCHA201 -8-PBT | 1/2 | | | | | | | | | | SUC201 -8 | ZUC201 -8 | HA-204-H-PBT | | |
| SUCHA201 -12m-PBT | ZUCHA201 -12m-PBT | 12mm | | | | | | | | | | SUC201 -12mm | ZUC201 -12mm | | | |
| SUCHA202 -9-PBT | ZUCHA202 -9-PBT | 9/16 | | | | | | | | | | SUC202 -9 | ZUC202 -9 | | | |
| SUCHA202 -10-PBT | ZUCHA202 -10-PBT | 5/8 | 2 15/16 | 3 3/4 | 2 3/8 | 1 1/32 | 1 3/16 | 1/2-13 | 1.220 | 0.500 | 0.72 | SUC202 -10 | ZUC202 -10 | | | |
| SUCHA202 -15m-PBT | ZUCHA202 -15m-PBT | 15mm | 74.6 | 95.3 | 60.3 | 26.2 | 30.2 | UNC | 31.00 | 12.70 | 18.30 | SUC202 -15mm | ZUC202 -15mm | | | |
| SUCHA203 -11-PBT | ZUCHA203 -11-PBT | 11/16 | | | | | | | | | | SUC203 -11 | ZUC203 -11 | | | |
| SUCHA203 -17m-PBT | ZUCHA203 -17m-PBT | 17mm | | | | | | | | | | SUC203 -17mm | ZUC203 -17mm | | | |
| SUCHA204 -12-PBT | ZUCHA204 -12-PBT | 3/4 | 2 15/16 | 3 3/4 | 2 3/8 | 1 1/32 | 1 3/16 | 1/2-13 | 1.220 | 0.500 | 0.72 | SUC204 -12 | ZUC204 -12 | HA-204-H-PBT | | |
| SUCHA204 -20m-PBT | ZUCHA204 -20m-PBT | 20mm | 74.6 | 95.3 | 60.3 | 26.2 | 30.2 | UNC | 31.00 | 12.70 | 18.30 | SUC204 -20mm | ZUC204 -20mm | | | |
| SUCHA205 -14-PBT | ZUCHA205 -14-PBT | 7/8 | | | | | | | | | | SUC205 -14 | ZUC205 -14 | HA-205-H-PBT | | |
| SUCHA205 -15-PBT | ZUCHA205 -15-PBT | 15/16 | 2 15/16 | 3 15/16 | 2 9/16 | 1 1/8 | 1 3/8 | 1/2-13 | 1.343 | 0.563 | 0.78 | SUC205 -15 | ZUC205 -15 | | | |
| SUCHA205 -16-PBT | ZUCHA205 -16-PBT | 1 | 74.6 | 100.0 | 65.1 | 28.6 | 35.0 | UNC | 34.10 | 14.30 | 19.80 | SUC205 -16 | ZUC205 -16 | | | |
| SUCHA205 -25m-PBT | ZUCHA205 -25m-PBT | 25mm | | | | | | | | | | SUC205 -25mm | ZUC205 -25mm | | | |
| SUCHA206 -18-PBT | ZUCHA206 -18-PBT | 1 1/8 | | | | | | | | | | SUC206 -18 | ZUC206 -18 | HA-206-H-PBT | | |
| SUCHA206 -19-PBT | ZUCHA206 -19-PBT | 1 3/16 | 3 11/32 | 4 1/2 | 2 3/4 | 1 11/32 | 1 5/8 | 5/8-11 | 1.500 | 0.626 | 0.87 | SUC206 -19 | ZUC206 -19 | | | |
| SUCHA206 -20-PBT | ZUCHA206 -20-PBT | 1 1/4(s) | 84.9 | 114.3 | 69.9 | 34.1 | 41.3 | UNC | 38.10 | 15.90 | 22.20 | SUC206 -20 | ZUC206 -20 | | | |
| SUCHA206 -30m-PBT | ZUCHA206 -30m-PBT | 30mm | | | | | | | | | | SUC206 -30mm | ZUC206 -30mm | | | |
| SUCHA207 -20-PBT | ZUCHA207 -20-PBT | 1 1/4 | | | | | | | | | | SUC207 -20 | ZUC207 -20 | HA-207-H-PBT | | |
| SUCHA207 -21-PBT | ZUCHA207 -21-PBT | 1 5/16 | 3 9/16 | 5 3/16 | 3 3/16 | 1 19/32 | 1 5/8 | 5/8-11 | 1.689 | 0.689 | 1.00 | SUC207 -21 | ZUC207 -21 | | | |
| SUCHA207 -22-PBT | ZUCHA207 -22-PBT | 1 3/8 | 90.5 | 131.8 | 81.0 | 40.5 | 41.3 | UNC | 42.90 | 17.50 | 25.40 | SUC207 -22 | ZUC207 -22 | | | |
| SUCHA207 -23-PBT | ZUCHA207 -23-PBT | 1 7/16 | | | | | | | | | | SUC207 -23 | ZUC207 -23 | | | |
| SUCHA207 -35m-PBT | ZUCHA207 -35m-PBT | 35mm | | | | | | | | | | SUC207 -35mm | ZUC207 -35mm | | | |
| SUCHA208 -24-PBT | ZUCHA208 -24-PBT | 1 1/2 | 3 15/16 | 5 11/16 | 3 1/2 | 1 31/32 | 1 5/8 | 5/8-11 | 1.937 | 0.748 | 1.19 | SUC208 -24 | ZUC208 -24 | HA-208-H-PBT | | |
| SUCHA208 -40m-PBT | ZUCHA208 -40m-PBT | 40mm | 100.0 | 144.5 | 88.9 | 50.0 | 41.3 | UNC | 49.20 | 19.00 | 30.20 | SUC208 -40mm | ZUC208 -40mm | | | |

Also available with black oxide plated insert. Part number example: UCT205-16-BPBT or UCHA205-16-BPBT.