

4

3

2

1

NOTES: UNLESS OTHERWISE SPECIFIED

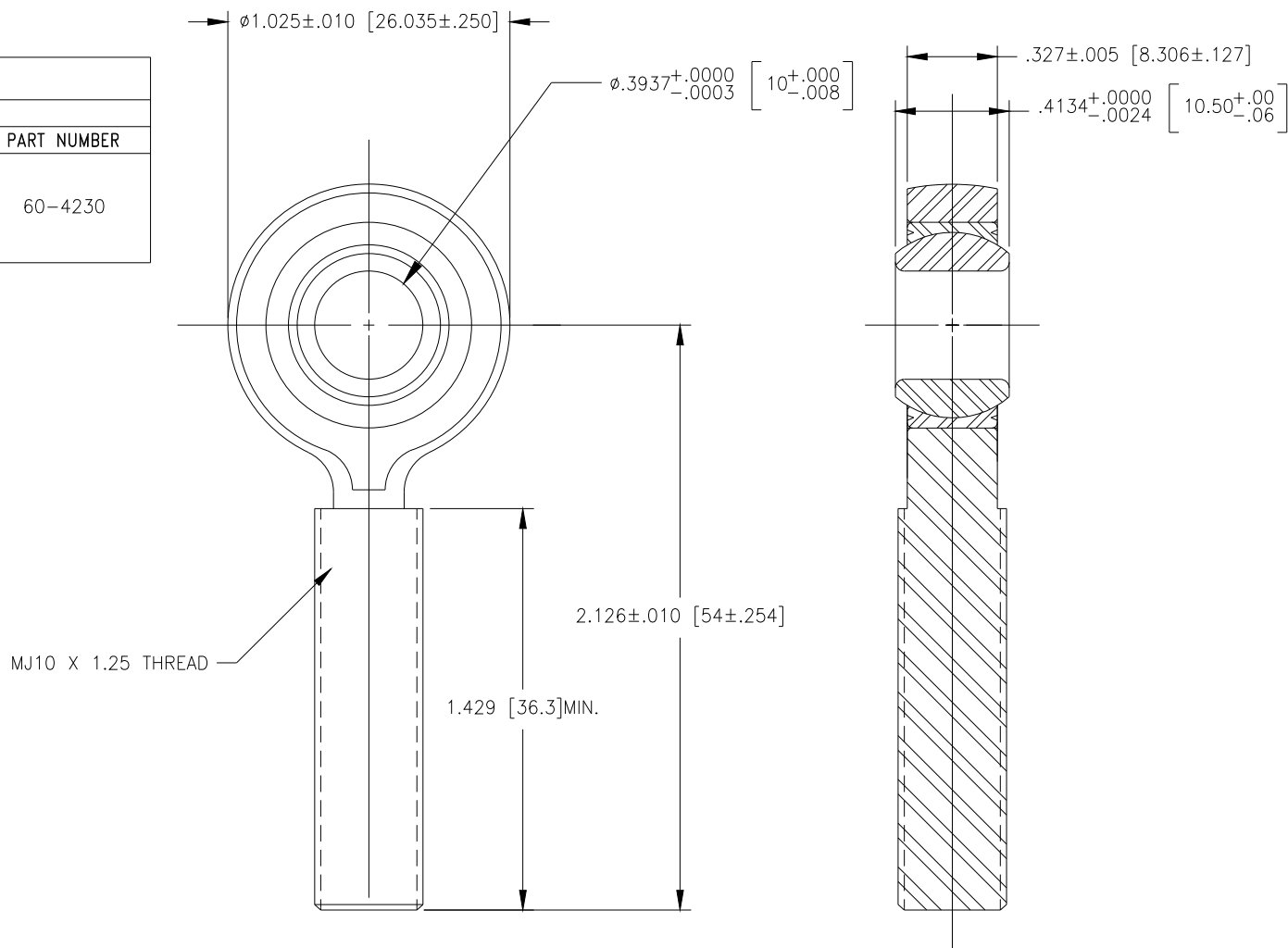
- 1 - PACKAGE TO INDICATE MANUFACTURER'S NAME (OR CAGE CODE) AND MANUFACTURER'S PART NUMBER PER MIL-STD-130.
- 2 - ASSEMBLY TO BE CLEAN AND FREE OF ALL FOREIGN MATTER.
- 3 - STATIC LOAD RATING IS 5710 LBS [25400 N].
- 4 - IDENTIFICATION OF SUGGESTED SOURCE(S) OF SUPPLY HEREON IS NOT TO BE CONSTRUED AS A GUARANTEE OF PRESENT OR CONTINUED AVAILABILITY AS A SOURCE OF SUPPLY FOR THE ITEM(S) DESCRIBED ON THIS DRAWING.
- 5 - -----REMOVED-----
- 6 - METRIC VALUES INSIDE BRACKETS ARE IN MILLIMETERS UNLESS OTHERWISE SPECIFIED.
- 7 - -----REMOVED-----

REVISIONS			
LTR	DESCRIPTION	DATE	APPROVED
A	REMOVED KEYWAY PER C.O. 40759 SWC	99/03/31	JXM
B	REVISED NOTES TO LATEST WMPC STANDARDS, NOTE 3 "STATIC LOAD RATING OF 5710LBS" WAS "DYNAMIC LOAD OF 1350 LBS" PER ECO 0100407 MJM	12/08/21	JWJ

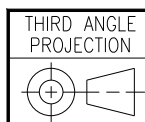
CAD MAINTAINED. CHANGES SHALL BE INCORPORATED BY THE DESIGN ACTIVITY

NOTICE OF PROPRIETARY RIGHTS
 THIS DRAWING CONTAINS CONFIDENTIAL PROPRIETARY INFORMATION AND SHALL BE USED ONLY IN THE BEST INTERESTS OF WOODWARD MPC, INC. NO PORTION OF THIS DOCUMENT MAY BE REPRODUCED OR DISCLOSED TO OTHERS WITHOUT PRIOR WRITTEN AUTHORIZATION OF WOODWARD MPC, INC.

SUGGESTED SOURCE(S) OF SUPPLY			
WMPC CONTROL NUMBER	VENDOR		
	NAME & ADDRESS	CAGE CODE	PART NUMBER
2B54573003-1	RWG FRANKENJURA FLUGWERKLAGER GmbH D-91462 DACHSBACH TELEPHONE: 011-49-9163-9991-0 FAX: 011-49-9163-9991-40	D3279	60-4230



DWG NO. 2B54573003



THIRD ANGLE PROJECTION	-1	2B52480203-1	2B5203
DASH NO.		NEXT ASSY	USED ON
		APPLICATION	

INTERPRET DRAWING PER DOD-STD-100C	CONTRACT NO.
UNLESS OTHERWISE SPECIFIED DIMENSIONS ARE IN INCHES TOLERANCES	DWN STEPHEN WENGER 98/02/17
ANGLES ±2°	CHK ANDREW J. RAABE 98/04/21
DECIMALS ±.005	ENG ANDREW J. RAABE 98/04/21
FRACTIONS ±1/64	PROD. MGR SAL MONFORTI 98/04/22
DO NOT SCALE	MFG ENG

WOODWARD MPC	SKOKIE ILLINOIS U.S.A.
TITLE ROD-END, MALE THREADED	
SIZE C	CAGE CODE 19710
DWG NO. 2B54573003	
SCALE 2.5/1 REL DATE 98/04/22 SHEET 1 OF 1	

ACAD

4

3

2

1