



Marbett Conveyor Components

Issue 14

CONVEYOR COMPONENTS

- Chain Guide Components Page S002
- Product Handling Components Page S048
- Frame Support Components Page S172
- Miscellaneous Components Page S190

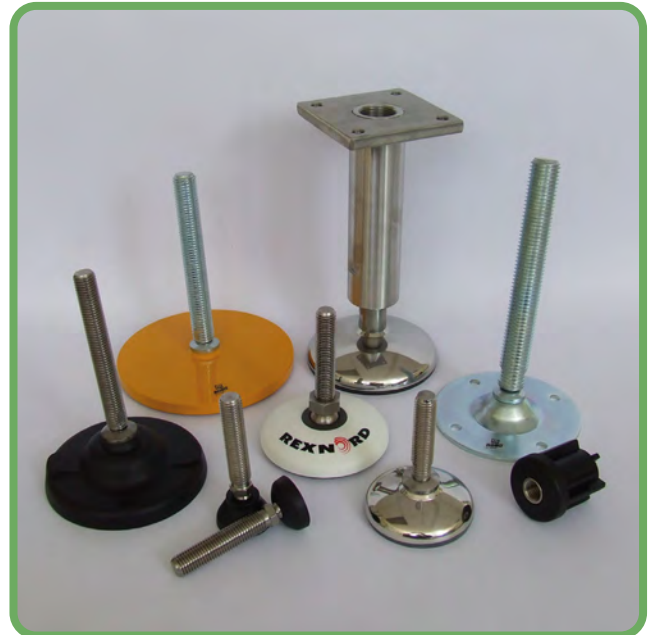
S001 - S229



SUPPORTING AND LEVELLING ELEMENTS

- Articulated Feet in Reinforced Polyamide Page R08
- Articulated Feet Gripper Page R28
- Articulated Feet in Steel Page R40
- Fixed Feet in Reinforced Polyamide and Rubber Page R48
- Fixed Feet in Steel Page R50
- Vibration absorbing Feet Page R53
- Anti-Slip Supports Page R54
- Threaded Bushings Page R56

R00 - R59



SELF-ALIGNING BEARINGS

- Square Flange Bearing Units Page B04
- Oval Flange Bearing Units Page B24
- Pillow Block Type Bearing Units Page B42
- Compact Pillow Block Type Bearing Units Page B46
- Side Flange Bearing Units Page B50
- Take-up Bearing Units Page B54
- Round Flange Bearing Units Page B58

B00 - B81



SQUARE FLANGE BEARING

Pag. B04 - B23



OVAL FLANGE BEARING

Pag. B24 - B41



SUPPORTI RITTI

Pag. B42 - B45



PILLOW BLOCK BEARING

Pag. B46 - B49



SIDE FLANGE BEARING

Pag. B50 - B53



TAKE-UP BEARING

Pag. B54 - B57



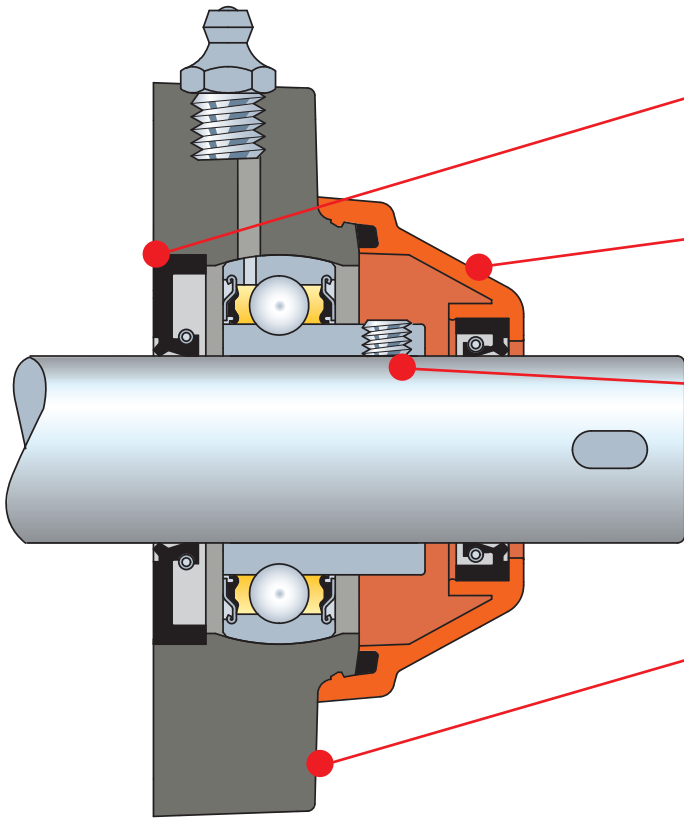
ROUND FLANGE BEARING

Pag. B58 - B65



TECHNICAL INFORMATIONS

Technical Informations see Pag. B67 - B81



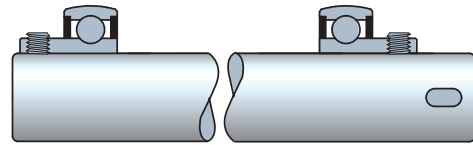
Waterproof housing

The waterproof sealing system guarantees protection of the bearing from the external environment

Inspectable bearing

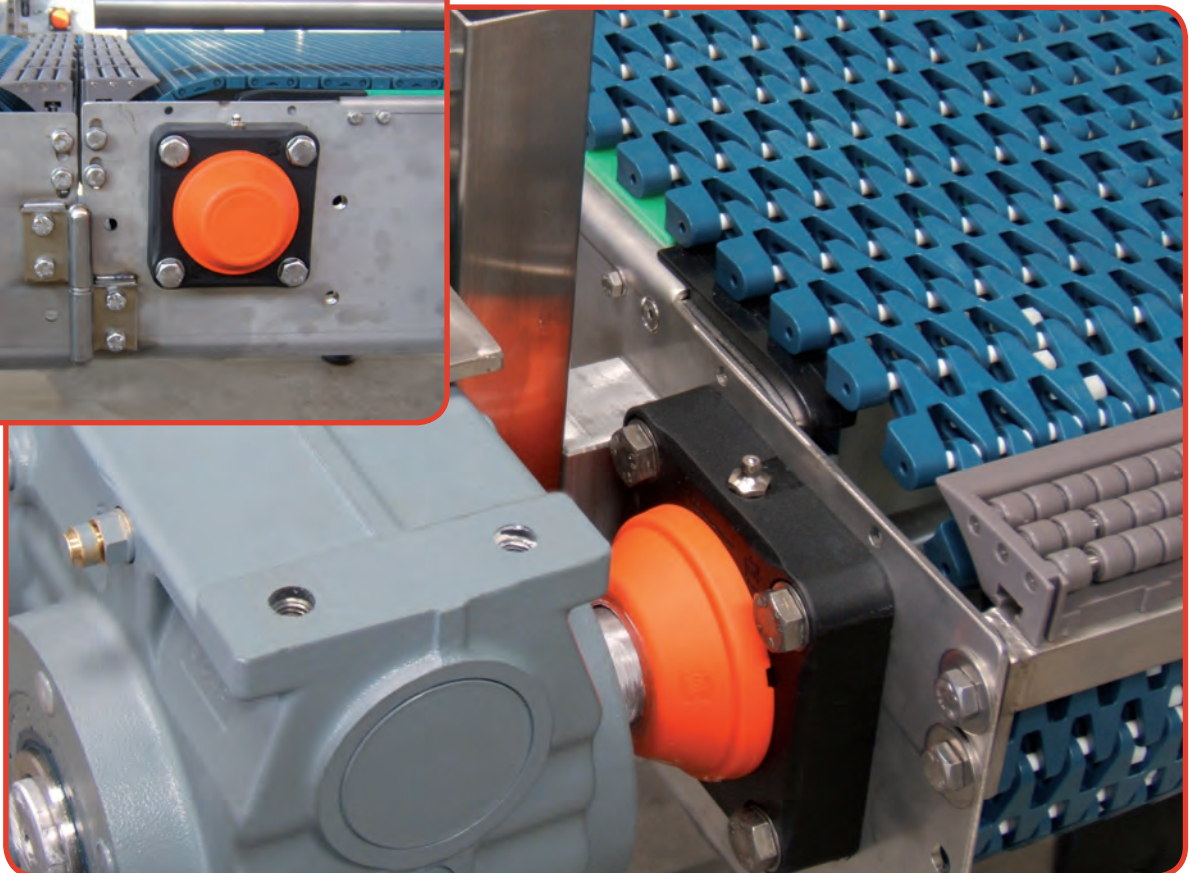
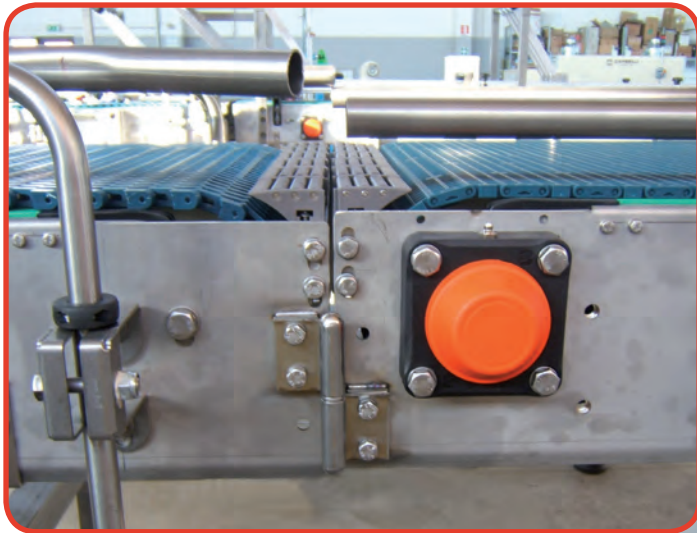
The clip-on protection cover can be removed for bearing inspection

Locking by grub screws



ISO dimensions

The overall dimensions can be interchanged with the corresponding cast iron type bearings

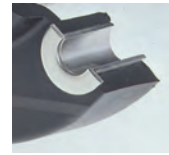


- Overall dimensions of self-aligning bearings are in accordance with ISO 3228 standards
- All self-aligning bearings are interchangeable with their correspondent cast iron versions



ISO dimensions

- Self-aligning bearings are equipped with stainless steel AISI 304/316 bushes to reinforce mounting holes
- The reinforcing bushings avoid damages to the plastic flange during screw tightening



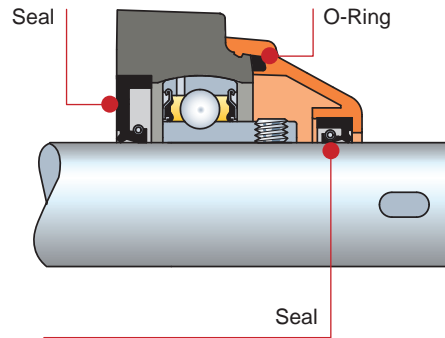
Fixing bushes

- Only best quality glass fibre reinforced polyamide PA FV/polypropylene PP FV thermoplastic resins are used for the self-aligning housings
- The resins used guarantee high resistance to oxidation and corrosion and at the same time equal the strength offered by cast iron housings. They offer a better resistance to impact
- Polyamide PA FV resins offer maximum heat and mechanical resistance
- Polypropylene PP FV resins offer maximum resistance to chemical agents



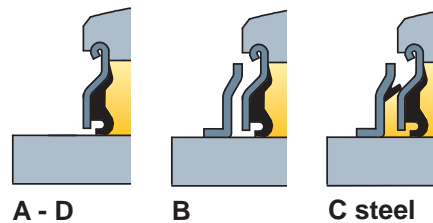
Thermoplastic resins

- A system of waterproof seals protects the bearing from external environment
- Protection from dust, humidity, washouts, chemical agents
- The clip-on protection cover allows inspection of the bearing



Waterproof housing

- Self-aligning bearings are equipped with ball bearings featuring multipurpose sealing systems.
- **A - D** - Superagriseal unit. The system consists of a metallic ring fitted with a low friction rubber sealing lip
- **B** - Superagriseal unit + centrifuging ring. The system is further equipped with a metallic protection ring providing a centrifugal sealing action.
- **C steel** - Superagriseal unit + rubberised centrifuging ring. This system is used in stainless steel bearings. The upper lip of the centrifuging ring together with the grease trapped between the base seal and the ring itself guarantees maximum sealing capacity.



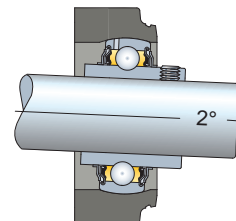
Bearing seals

- Waterproof self-aligning bearings feature seals for the protection against external environment
- Viton rubber seals ensure maximum resistance to chemical agents



Support seals

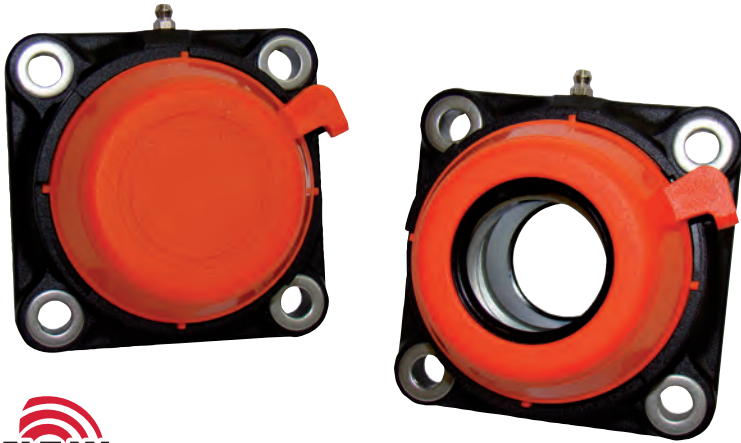
- All bearings are self-aligning, capable of compensating misalignments up to 2°



Misalignment

Square flange bearing units

SUCFN/T - SHCFN/T



Waterproof housing

Grub screws or eccentric collar shaft locking

PA FV polyamide housing

High mechanical and heat resistance. Proof to dust, humidity, washouts, steam, average aggressive chemical agents.

PP FV polypropylene housing

Proof to highly aggressive chemical agents. Inferior loading ability.

Solid flange bearings

Closed surface structure, ideal for sanitation.

Material

PA FV polyamide housing

- Housing in reinforced polyamide PA FV resin (black)
- Protection cover in polypropylene PP (orange)
- Seal and O-Ring in NBR rubber (black)
- Ball type nickel plated brass greasing nipple
- Reinforcing bushings on mounting holes and washers in stainless steel AISI 304

PP FV polypropylene housing

- Housing in reinforced polypropylene PP FV resin (white)
- Protection cover in polypropylene PP (orange)
- Seal and O-Ring in NBR rubber (black).
On request supplied in Viton rubber (brown).
Viton material offers high resistance to chemical agents
- Ball type stainless steel AISI 316 greasing nipple
- Reinforcing bushings on mounting holes and washers in stainless steel AISI 316.

Continuous operating temperature

in air: - 20 to + 60°C.

Maximum allowed misalignment: 2°.

Bearing

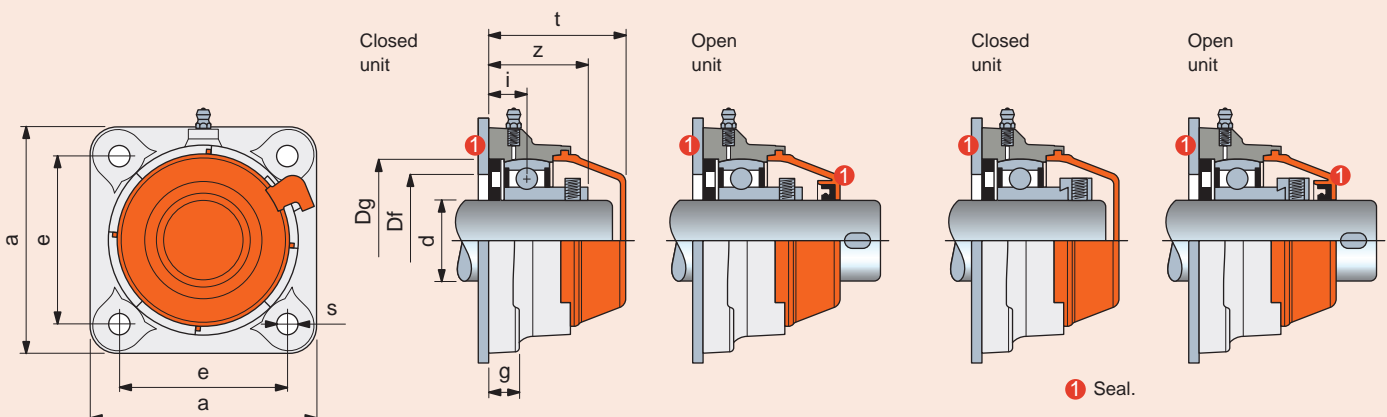


- Type A (grub screws shaft locking)
- Type D (eccentric collar shaft locking)
- Chrome alloy steel
- Superagriseal unit
- Prelubricated with lithium / calcium grease
- Can be relubricated.



• Series SUCFN/T • Type A Grub screws shaft locking

• Series SHCFN/T • Type D Eccentric collar shaft locking



SUCFN/T - SHCFN/T

dia. d mm	Series	Housing material		Dimensions in mm										Bore in frame ¹⁾ Df		Bearing	Weight Kg	Spare parts Cover orange Code
		Polyamide PA FV Solid Flange (black) Cover (orange)	Polypropylene PP FV Solid Flange (white) Cover (orange)	e	a	s	g	i	z	t	Dg	max.	min.	Code				
Grub screws shaft locking • Closed unit																		
40*	SUCFN 208 T	637773	637853	83	110	11	15	19	44	67	80	78	65	Type A	0,82	630443		
Grub screws shaft locking • Open unit																		
40*	SUCFN 208 T	637783	637863	83	110	11	15	19	44	67	80	78	65	Type A	0,82	630473		
Eccentric collar shaft locking • Closed unit																		
40*	SHCFN 208 T	637793	637873	83	110	11	15	19	51,7	67	80	78	65	Type D	1,01	630443		
Eccentric collar shaft locking • Open unit																		
40*	SHCFN 208 T	637803	637883	83	110	11	15	19	51,7	67	80	78	65	Type D	1,01	630473		

Item code for order = B0000 + Code

* = Version with special fixing holes.

¹⁾ = Dimensions Df max / Df min must be respected to ensure positive retention of the seals and to allow air bleeding during lubrication.

Packaging: 6 pieces.

Best Seller

Standard

On request

Square flange bearing units

SUCFN/TL - SHCFN/TL

LIFE LUBRICATED



Dry use recommended



Life lubricated

The ball-bearings are pre-lubricated with a special grease keeping the bearing for its whole life. No need for re-lubrication (see page B78 to calculate the grease life).

Grub screws or eccentric collar shaft locking

PA FV polyamide housing

High mechanical and heat resistance. Proof to dust, humidity, washouts, steam, average aggressive chemical agents.

Solid flange bearings

Closed surface structure, ideal for sanitation.

Material

PA FV polyamide housing

- Housing in reinforced polyamide PA FV resin (black)
- Protection cover in polypropylene PP (orange)
- Seal and O-Ring in NBR rubber (black)
- Reinforcing bushings on mounting holes and washers in stainless steel AISI 304.

Continuous operating temperature

in air: -20 to +60°C.

Maximum allowed misalignment: 2°.

Bearing

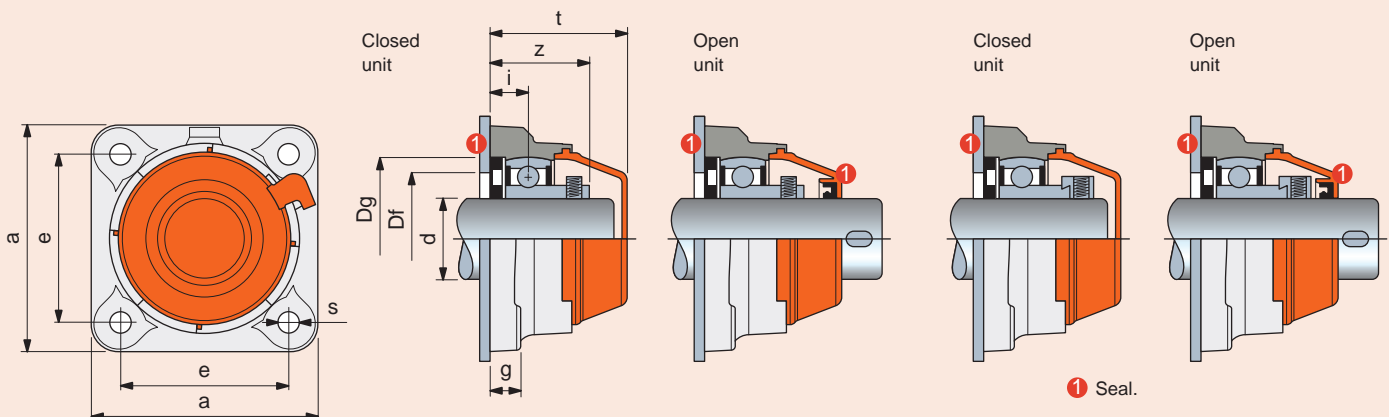


- Type A (grub screws shaft locking)
- Type D (eccentric collar shaft locking)
- Chrome alloy steel
- Superagriseal unit
- Prelubricated with lithium / calcium grease, no need for re-lubrication.



• Series SUCFN/TL • Type A Grub screws shaft locking

• Series SHCFN/TL • Type D Eccentric collar shaft locking



1 Seal.

SUCFN/TL - SHCFN/TL

dia. d mm	Series	Housing material	Dimensions in mm								Dg	Bore in frame Df		Bearing	Weight Kg	Spare parts Cover orange
		Polyamide PA FV Solid Flange (black) Cover (orange)	e	a	s	g	i	z	t	max.		min.	Code			
Grub screws shaft locking • Closed unit																
40*	SUCFN 208 TL	637773L	83	110	11	15	19	44	67	80	78	65	Type A	0,82	630443	
Grub screws shaft locking • Open unit																
40*	SUCFN 208 TL	637783L	83	110	11	15	19	44	67	80	78	65	Type A	0,82	630473	
Eccentric collar shaft locking • Closed unit																
40*	SHCFN 208 TL	637793L	83	110	11	15	19	51,7	67	80	78	65	Type D	1,01	630443	
Eccentric collar shaft locking • Open unit																
40*	SHCFN 208 TL	637803L	83	110	11	15	19	51,7	67	80	78	65	Type D	1,01	630473	

Item code for order = B0000 + Code

* = Version with special fixing holes.

Packaging: 6 pieces.

 Best Seller

 Standard

 On request

Square flange bearing units

UCFN/C - SUCFN/C - HCFN/C - SHCFN/C



Waterproof housing

Grub screws or eccentric collar shaft locking

PA FV polyamide housing

High mechanical and heat resistance. Proof to dust, humidity, washouts, steam, average aggressive chemical agents.

PP FV polypropylene housing

Proof to highly aggressive chemical agents. Inferior loading ability.

Solid flange bearings

Closed surface structure, ideal for sanitation.

Material

PA FV polyamide housing

- Housing in reinforced polyamide PA FV resin (black)
- Protection cover in polypropylene PP (orange)
- Seal and O-Ring in NBR rubber (black)
- Ball type nickel plated brass greasing nipple
- Reinforcing bushings on mounting holes and washers in stainless steel AISI 304

PP FV polypropylene housing

- Housing in reinforced polypropylene PP FV resin (white)
- Protection cover in polypropylene PP (orange)
- Seal and O-Ring in NBR rubber (black).
On request supplied in Viton rubber (brown).
Viton material offers high resistance to chemical agents
- Ball type stainless steel AISI 316 greasing nipple
- Reinforcing bushings on mounting holes and washers in stainless steel AISI 316.

Continuous operating temperature

in air: - 20 to + 60°C.

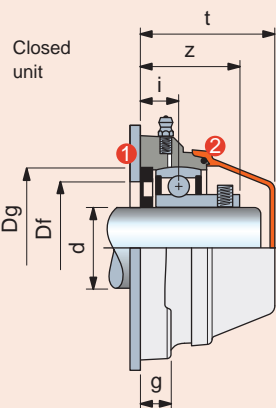
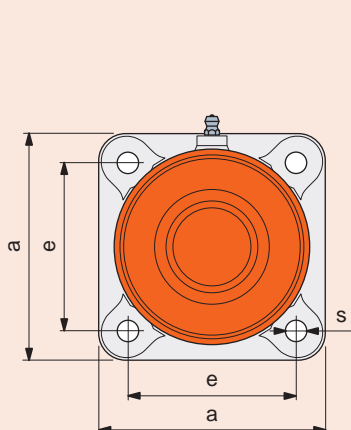
Maximum allowed misalignment: 2°.

Bearing

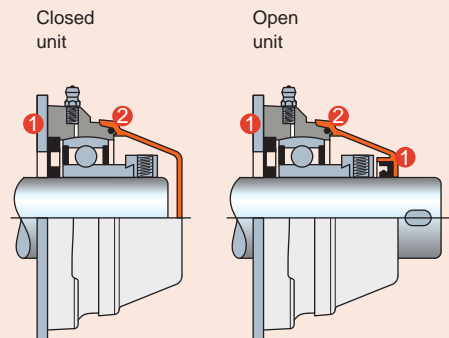


- Type A (grub screws shaft locking)
- Type D (eccentric collar shaft locking)
- Chrome alloy steel
- Superagriseal unit
- Prelubricated with lithium / calcium grease
- Can be relubricated.

• Series UCFN/C • Type A Grub screws shaft locking



• Series HCFN/C • Type D Eccentric collar shaft locking



- ① Seal.
- ② O-Ring.

UCFN/C - SUCFN/C - HCFN/C - SHCFN/C

dia. d mm	Series	Housing material		Dimensions in mm										Bore in frame ¹⁾ Df		Bearing	Weight Kg	Spare parts Cover orange Code
		Polyamide PA FV Solid Flange (black) Cover (orange)	Polypropylene PP FV Solid Flange (white) Cover (orange)	e	a	s	g	i	z	t	Dg	max.	min.					
		Code	Code															
Grub screws shaft locking • Closed unit																		
30	UCFN 206 C	632223	632463	83	110	11	15	20	42	55	62	60	50	Type A	0,50	63154		
35*	SUCFN 207 C	632233	632473	83	110	11	15	19,5	43	59	72	70	55	Type A	0,61	682022		
40*	SUCFN 208 C	632243	632483	83	110	11	15	19	44	66	80	78	65	Type A	0,82	600882		
Grub screws shaft locking • Open unit																		
30	UCFN 206 C	632253	632493	83	110	11	15	20	42	55	62	60	50	Type A	0,50	69965		
35*	SUCFN 207 C	632263	632503	83	110	11	15	19,5	43	59	72	70	55	Type A	0,61	682032		
40*	SUCFN 208 C	632273	632513	83	110	11	15	19	44	66	80	78	65	Type A	0,82	600892		
Eccentric collar shaft locking • Closed unit																		
30	HCFN 206 C	632283	632523	83	110	11	15	20	46,7	55	62	60	50	Type D	0,57	63154		
35*	SHCFN 207 C	632293	632533	83	110	11	15	19,5	48,9	59	72	70	55	Type D	0,79	682022		
40*	SHCFN 208 C	632303	632543	83	110	11	15	19	51,7	66	80	78	65	Type D	1,01	600882		
Eccentric collar shaft locking • Open unit																		
30	HCFN 206 C	632313	632553	83	110	11	15	20	46,7	55	62	60	50	Type D	0,57	69965		
35*	SHCFN 207 C	632323	632563	83	110	11	15	19,5	48,9	59	72	70	55	Type D	0,79	682032		
40*	SHCFN 208 C	632333	632573	83	110	11	15	19	51,7	66	80	78	65	Type D	1,01	600892		

Item code for order = B0000 + Code

* = Version with special fixing holes.

¹⁾ = Dimensions Df max / Df min must be respected to ensure positive retention of the seals and to allow air bleeding during lubrication.

Packaging: 6 pieces.

 Best Seller

 Standard

 On request

Square flange bearing units

UCFN/CL - SUCFN/CL - HCFN/CL - SHCFN/CL



LIFE LUBRICATED



Dry use recommended



Life lubricated

The ball-bearings are pre-lubricated with a special grease keeping the bearing for its whole life. No need for re-lubrication (see page B78 to calculate the grease life).

Grub screws or eccentric collar shaft locking

PA FV polyamide housing

High mechanical and heat resistance. Proof to dust, humidity, washouts, steam, average aggressive chemical agents.

Solid flange bearings

Closed surface structure, ideal for sanitation.

Material

PA FV polyamide housing

- Housing in reinforced polyamide PA FV resin (black)
- Protection cover in polypropylene PP (orange)
- Seal and O-Ring in NBR rubber (black)
- Reinforcing bushings on mounting holes and washers in stainless steel AISI 304.

Continuous operating temperature

in air: - 20 to + 60°C.

Maximum allowed misalignment: 2°.

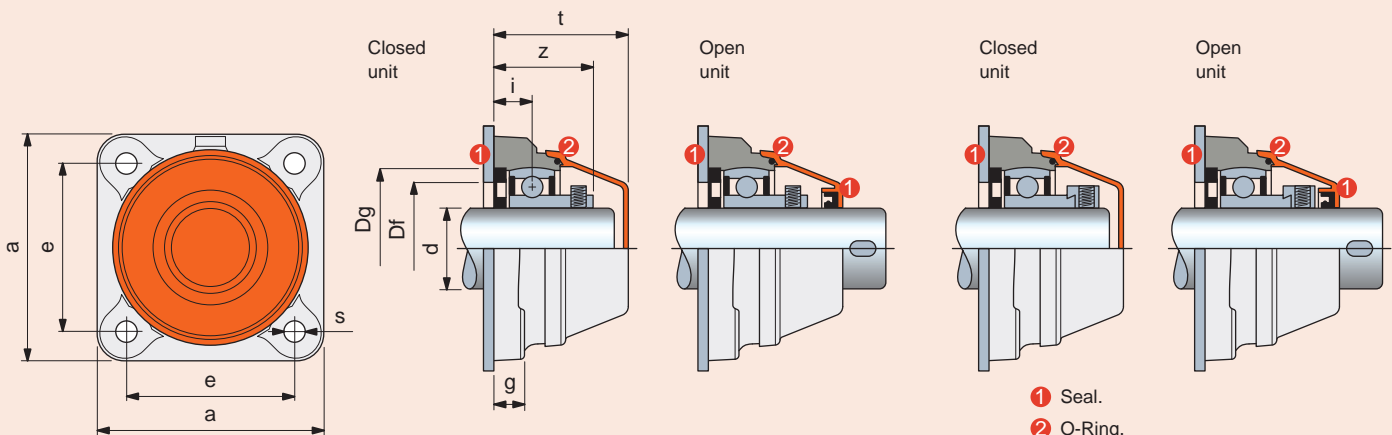
Bearing



- Type A (grub screws shaft locking)
- Type D (eccentric collar shaft locking)
- Chrome alloy steel
- Superagriseal unit
- Prelubricated with lithium / calcium grease, no need for re-lubrication.

• Series UCFN/CL • Type A Grub screws shaft locking

• Series HCFN/CL • Type D Eccentric collar shaft locking



- 1 Seal.
- 2 O-Ring.

UCFN/CL - SUCFN/CL - HCFN/CL - SHCFN/CL

dia. d mm	Series	Housing material	Dimensions in mm								Dg	Bore in frame Df		Bearing	Weight Kg	Spare parts Cover orange
		Polyamide PA FV Solid Flange (black) Cover (orange)	e	a	s	g	i	z	t	max.		min.	Code			
Grub screws shaft locking • Closed unit																
30	UCFN 206 CL	632223L	83	110	11	15	20	42	55	62	60	50	Type A	0,50	63154	
35*	SUCFN 207 CL	632233L	83	110	11	15	19,5	43	59	72	70	55	Type A	0,61	682022	
40*	SUCFN 208 CL	632243L	83	110	11	15	19	44	66	80	78	65	Type A	0,82	600882	
Grub screws shaft locking • Open unit																
30	UCFN 206 CL	632253L	83	110	11	15	20	42	55	62	60	50	Type A	0,50	69965	
35*	SUCFN 207 CL	632263L	83	110	11	15	19,5	43	59	72	70	55	Type A	0,61	682032	
40*	SUCFN 208 CL	632273L	83	110	11	15	19	44	66	80	78	65	Type A	0,82	600892	
Eccentric collar shaft locking • Closed unit																
30	HCFN 206 CL	632283L	83	110	11	15	20	46,7	55	62	60	50	Type D	0,57	63154	
35*	SHCFN 207 CL	632293L	83	110	11	15	19,5	48,9	59	72	70	55	Type D	0,79	682022	
40*	SHCFN 208 CL	632303L	83	110	11	15	19	51,7	66	80	78	65	Type D	1,01	600882	
Eccentric collar shaft locking • Open unit																
30	HCFN 206 CL	632313L	83	110	11	15	20	46,7	55	62	60	50	Type D	0,57	69965	
35*	SHCFN 207 CL	632323L	83	110	11	15	19,5	48,9	59	72	70	55	Type D	0,79	682032	
40*	SHCFN 208 CL	632333L	83	110	11	15	19	51,7	66	80	78	65	Type D	1,01	600892	

Item code for order = B0000 + Code

* = Version with special fixing holes.

Packaging: 6 pieces.

 Best Seller

 Standard

 On request

Square flange bearing units

UCFN - SUCFN - HCFN - SHCFN



Accessories

Material

PA FV polyamide housing

- Housing in reinforced polyamide PA FV resin (black)
- Ball type nickel plated brass greasing nipple
- Reinforcing bushings on mounting holes and washers in stainless steel AISI 304.

PP FV polypropylene housing

- Housing in reinforced polypropylene PP FV resin (white)
- Bearing in stainless steel AISI 420
- Ball type stainless steel AISI 316 greasing nipple
- Reinforcing bushings on mounting holes and washers in stainless steel AISI 316.

Continuous operating temperature

in air: - 20 to + 60°C.

Maximum allowed misalignment: 2°.

Bearing

- Type B (grub screws shaft locking, chrome alloy steel, Superagriseal unit plus centrifuging ring)
- Type C (grub screws shaft locking, stainless steel AISI 420, Superagriseal unit plus rubberised centrifuging ring)
- Type A (grub screws shaft locking, chrome alloy steel, Superagriseal unit)
- Type D (eccentric collar shaft locking, chrome alloy steel, Superagriseal unit)
- Prelubricated with lithium / calcium grease
- Can be relubricated.

Grub screws or eccentric collar shaft locking

Version with bearing Type B

The double ring guarantees maximum protection against dust and non-corrosive substances.

Version with stainless steel bearing Type C

AISI 420 stainless steel bearing with 2 rubberised rings, provides excellent seal against humidity, steams, liquids, medium corrosive chemical agents. Maximum load ability is inferior.

Version with bearing Type A

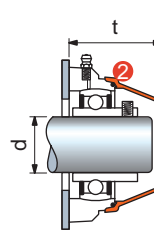
The rubberised ring guarantees maximum protection against dusts.

Material

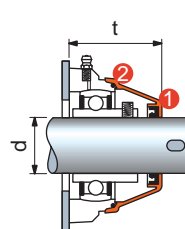
Polyamide PA FV guarantees maximum strength and high-temperature resistance. Polypropylene PP FV offers excellent resistance to chemical agents but inferior load ability.

Protection covers (accessories)

Closed cover



Open cover



- 1 Seals.
- 2 Seals O-Ring.

dia. d mm	Accessories Cover orange	t mm
	Code	
Closed cover supplied with seals		
30	63154	55
35*	682022	59
40*	600882	66
Open cover supplied with seals		
30	69965	55
35*	682032	59
40*	600892	66

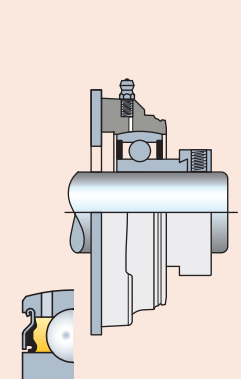
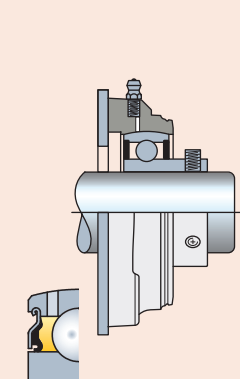
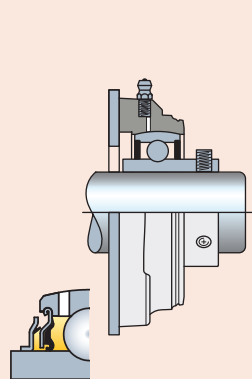
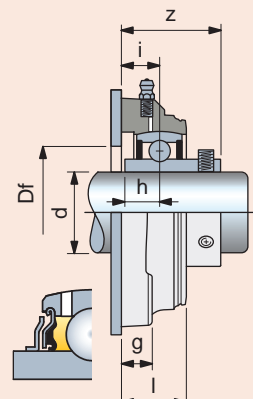
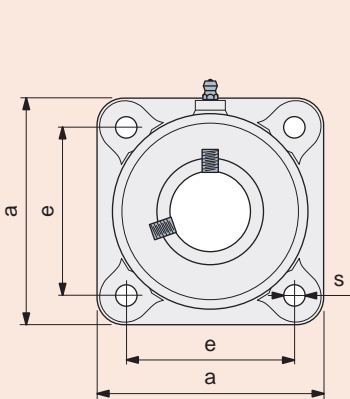
* = Version with special fixing holes.

• Series UCFN • Type B
Grub screws shaft locking

• Series UCFN • Type C
Grub screws shaft locking

• Series UCFN • Type A
Grub screws shaft locking

• Series HCFN • Type D
Eccentric collar shaft locking



UCFN - SUCFN - HCFN - SHCFN

dia. d mm	Series	Housing material		Dimensions in mm									Bore in frame Df mm	Bearing	Weight Kg
		Polyamide PA FV Solid Flange (black)	Polypropylene PP FV Solid Flange (white)	e	a	s	g	i	h	l	z				
Grub screws shaft locking • Version with bearing Type B															
30	UCFN 206	634103	-	83	110	11	15	20	15,9	31,5	42,2	34	Type B	0,51	
35*	SUCFN 207	634113	-	83	110	11	15	19,5	17,5	31,5	44,9	39	Type B	0,59	
40*	SUCFN 208	634123	-	83	110	11	15	19	19	31,5	49,2	44	Type B	0,82	
Grub screws shaft locking • Version with stainless steel bearing Type C															
30	UCFN 206	634133	634313	83	110	11	15	20	15,9	31,5	42,2	34	Type C	0,51	
35*	SUCFN 207	634143	634323	83	110	11	15	19,5	17,5	31,5	44,9	39	Type C	0,59	
40*	SUCFN 208	634153	634333	83	110	11	15	19	19	31,5	49,2	44	Type C	0,82	
Grub screws shaft locking • Version with bearing Type A															
30	UCFN 206	634163	634343	83	110	11	15	20	-	31,5	42	34	Type A	0,48	
35*	SUCFN 207	634173	634353	83	110	11	15	19,5	-	31,5	43	39	Type A	0,56	
40*	SUCFN 208	634183	634363	83	110	11	15	19	-	31,5	44	44	Type A	0,79	
Eccentric collar shaft locking • Version with bearing Type D															
30	HCFN 206	634193	634373	83	110	11	15	20	-	31,5	46,7	34	Type D	0,55	
35*	SHCFN 207	634203	634383	83	110	11	15	19,5	-	31,5	48,9	39	Type D	0,76	
40*	SHCFN 208	634213	634393	83	110	11	15	19	-	31,5	51,7	44	Type D	0,98	

Item code for order = B0000 + Code

* = Version with special fixing holes.

Packaging: 6 pieces.

Best Seller

Standard

On request

Square flange bearing units

UCF/C - SUCF/C - HCF/C - SHCF/C



Waterproof housing

Grub screws or eccentric collar shaft locking

PA FV polyamide housing

High mechanical and heat resistance. Proof to dust, humidity, washouts, steam, average aggressive chemical agents.

PP FV polypropylene housing

Proof to highly aggressive chemical agents. Inferior loading ability.

Solid flange bearings

They differ from standard flange versions for their closed surface structure, ideal for sanitation.

Material

PA FV polyamide housing

- Housing in reinforced polyamide PA FV resin (black)
- Protection cover in polypropylene PP (orange)
- Seal and O-Ring in NBR rubber (black)
- Ball type nickel plated brass greasing nipple
- Reinforcing bushings on mounting holes and washers in stainless steel AISI 304

PP FV polypropylene housing

- Housing in reinforced polypropylene PP FV resin (white)
- Protection cover in polypropylene PP (orange)
- Seal and O-Ring in NBR rubber (black).
On request supplied in Viton rubber (brown).
Viton material offers high resistance to chemical agents
- Ball type stainless steel AISI 316 greasing nipple
- Reinforcing bushings on mounting holes and washers in stainless steel AISI 316.

Continuous operating temperature

in air: - 20 to + 60°C.

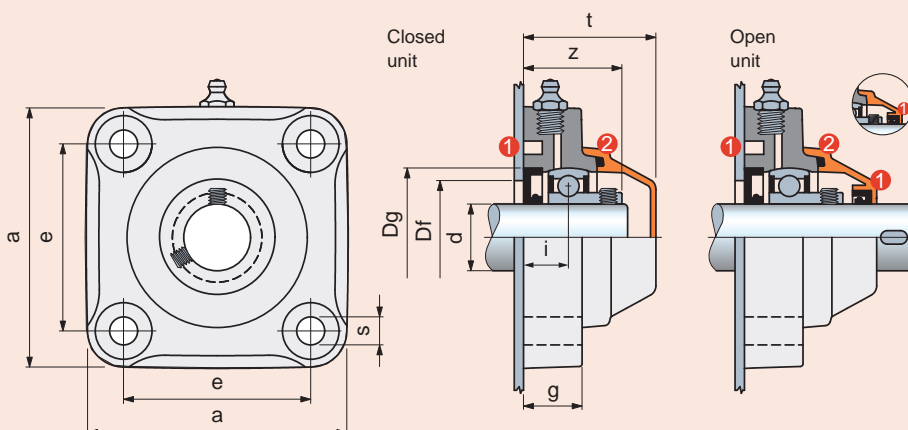
Maximum allowed misalignment: 2°.

Bearing

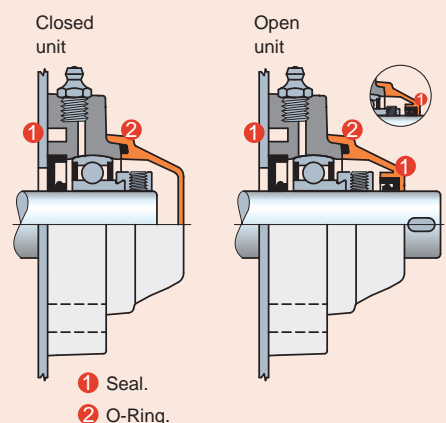


- Type A (grub screws shaft locking)
- Type D (eccentric collar shaft locking)
- Chrome alloy steel
- Superagriseal unit
- Prelubricated with lithium / calcium grease
- Can be relubricated.

• Series UCF/C • Type A Grub screws shaft locking



• Series HCF/C • Type D Eccentric collar shaft locking



dia. d mm	Series	Housing material		Dimensions in mm										Bore in frame ²⁾ Df		Bearing	Weight Kg	Spare parts Cover orange Code	
		Polyamide PA FV Standard Flange (black) Cover (orange)	Polypropylene PP FV Solid Flange (white) Cover (orange)	e	a	s	g	i	z	t	Dg	max.	min.						
		Code																	
Grub screws shaft locking • Closed unit																			
25	UCF 205 C	64573	680932	70	98	11	22,5	16,8	36,3	49,5	52	50	45	Type A	0,40	681952			
25*	SUCF 205 C	603043	-	83	110	11	26	19,3	38,8	54	52	50	45	Type A	0,50	681952			
30	UCF 206 C	63112	680942	83	110	11	26	20	42	56	62	60	50	Type A	0,56	63154			
35	UCF 207 C	64018	680952	92	120	11	26	19,5	43	59	72	70	55	Type A	0,72	682022			
35*	SUCF 207 C	680522 ¹⁾	680962	83	110	11	26	19,5	43	61	72	70	55	Type A	0,67	63539			
40	UCF 208 C	68916	680972	102	131	11	30	22	47	65,5	80	78	65	Type A	0,95	63539			
40*	SUCF 208 C	61819	680982	83	110	11	26	19	44	66	80	78	65	Type A	0,88	600882			
45*	SUCF 209 C	686592 ¹⁾	686752	102	131	11	30	23	54	73	85	83	75	Type A	1,10	686972			
50*	SUCF 210 C	686602 ¹⁾	686762	102	131	11	30	23	55,6	73	90	88	80	Type A	1,20	686972			
Grub screws shaft locking • Open unit																			
25	UCF 205 C	64623	680992	70	98	11	22,5	16,8	36,3	49,5	52	50	45	Type A	0,40	681972			
25*	SUCF 205 C	603053	-	83	110	11	26	19,3	38,8	54	52	50	45	Type A	0,50	681972			
30	UCF 206 C	63172	681002	83	110	11	26	20	42	56	62	60	50	Type A	0,56	69965			
35	UCF 207 C	64028	681012	92	120	11	26	19,5	43	59	72	70	55	Type A	0,72	682032			
35*	SUCF 207 C	680582 ¹⁾	681022	83	110	11	26	19,5	43	61	72	70	55	Type A	0,67	615692			
40	UCF 208 C	68926	681032	102	131	11	30	22	47	65,5	80	78	65	Type A	0,95	63549			
40*	SUCF 208 C	61829	681042	83	110	11	26	19	44	66	80	78	65	Type A	0,88	600892			
45*	SUCF 209 C	686612 ¹⁾	686772	102	131	11	30	23	54	73	85	83	75	Type A	1,10	686992			
50*	SUCF 210 C	686622 ¹⁾	686782	102	131	11	30	23	55,6	73	90	88	80	Type A	1,20	687002			
Eccentric collar shaft locking • Closed unit																			
25	HCF 205 C	680452	681052	70	98	11	22,5	16,8	40,2	49,5	52	50	45	Type D	0,44	681952			
25*	SHCF 205 C	603063	-	83	110	11	26	19,3	42,7	54	52	50	45	Type D	0,57	681952			
30	HCF 206 C	621501	681062	83	110	11	26	20	46,7	56	62	60	50	Type D	0,63	63154			
35	HCF 207 C	680462	681072	92	120	11	26	19,5	48,9	59	72	70	55	Type D	0,90	682022			
35*	SHCF 207 C	680642 ¹⁾	681082	83	110	11	26	19,5	48,9	61	72	70	55	Type D	0,85	63539			
40*	SHCF 208 C	62439	681092	83	110	11	26	19	51,7	66	80	78	65	Type D	1,07	600882			
45*	SHCF 209 C	686632 ¹⁾	686792	102	131	11	30	23	55,7	73	85	83	75	Type D	1,29	686972			
50*	SHCF 210 C	686642	686802	102	131	11	30	23	55,7	73	90	88	80	Type D	1,39	686972			
Eccentric collar shaft locking • Open unit																			
25	HCF 205 C	680472	681102	70	98	11	22,5	16,8	40,2	49,5	52	50	45	Type D	0,44	681972			
25*	SHCF 205 C	603073	-	83	110	11	26	19,3	42,7	54	52	50	45	Type D	0,57	681972			
30	HCF 206 C	621481	681112	83	110	11	26	20	46,7	56	62	60	50	Type D	0,63	69965			
35	HCF 207 C	680482	681122	92	120	11	26	19,5	48,9	59	72	70	55	Type D	0,90	682032			
35*	SHCF 207 C	680692 ¹⁾	681132	83	110	11	26	19,5	48,9	61	72	70	55	Type D	0,85	615692			
40*	SHCF 208 C	62449	681142	83	110	11	26	19	51,7	66	80	78	65	Type D	1,07	600892			
45*	SHCF 209 C	686652 ¹⁾	686812	102	131	11	30	23	55,7	73	85	83	75	Type D	1,29	686992			
50*	SHCF 210 C	686662 ¹⁾	686822	102	131	11	30	23	55,7	73	90	88	80	Type D	1,39	687002			

Item code for order = B0000 + Code

* = Version with special fixing holes.

¹⁾ = Solid flange.

²⁾ = Dimensions Df max / Df min must be respected to ensure positive retention of the seals and to allow air bleeding during lubrication.

Packaging: 6 pieces.

Best Seller

Standard

On request

Square flange bearing units

UCF/CL - SUCF/CL - HCF/CL - SHCF/CL

LIFE LUBRICATED



Dry use recommended



Life lubricated

The ball-bearings are pre-lubricated with a special grease keeping the bearing for its whole life. No need for re-lubrication (see page B78 to calculate the grease life)

Grub screws or eccentric collar shaft locking

PA FV polyamide housing

High mechanical and heat resistance. Proof to dust, humidity, washouts, steam, average aggressive chemical agents.

Solid flange bearings

They differ from standard flange versions for their closed surface structure, ideal for sanification.

Material

PA FV polyamide housing

- Housing in reinforced polyamide PA FV resin (black)
- Protection cover in polypropylene PP (orange)
- Seal and O-Ring in NBR rubber (black)
- Reinforcing bushings on mounting holes and washers in stainless steel AISI 304.

Continuous operating temperature

in air: - 20 to + 60°C.

Maximum allowed misalignment: 2°.

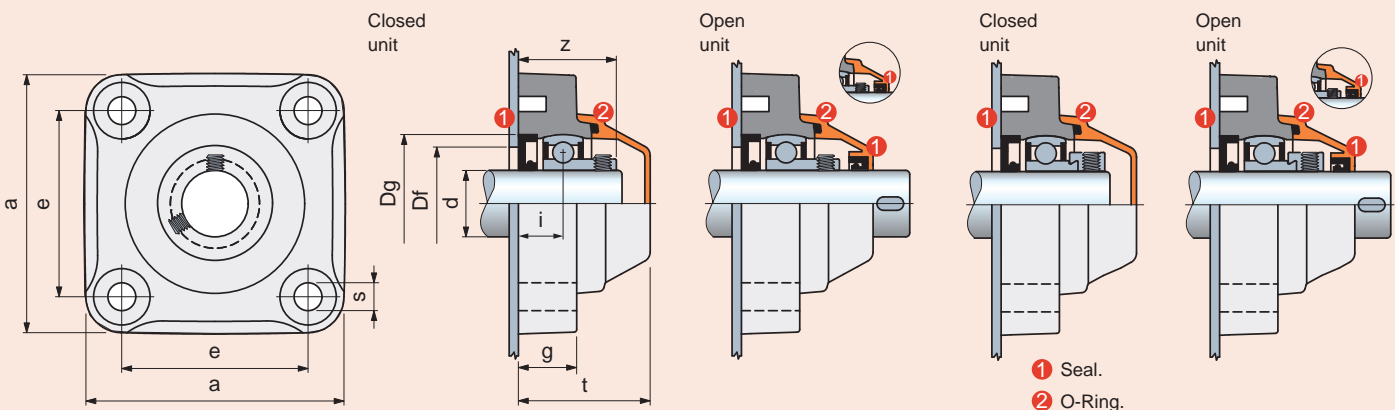
Bearing



- Type A (grub screws shaft locking)
- Type D (eccentric collar shaft locking)
- Chrome alloy steel
- Superagriseal unit
- Prelubricated with lithium / calcium grease, no need for re-lubrication.

• Series UCF/CL • Type A Grub screws shaft locking

• Series HCF/CL • Type D Eccentric collar shaft locking



UCF/CL - SUCF/CL - HCF/CL - SHCF/CL

dia. d mm	Series	Housing material	Dimensions in mm								Bore in frame Df		Bearing	Weight Kg	Spare parts Cover orange
		Polyamide PA FV Standard Flange (black) Cover (orange)	e	a	s	g	i	z	t	Dg	max.	min.			Code
Grub screws shaft locking • Closed unit															
25	UCF 205 CL	64573L	70	98	11	22,5	16,8	36,3	49,5	52	50	45	Type A	0,40	681952
25*	SUCF 205 CL	603043L	83	110	11	26	19,3	38,8	54	52	50	45	Type A	0,50	681952
30	UCF 206 CL	63112L	83	110	11	26	20	42	56	62	60	50	Type A	0,56	63154
35	UCF 207 CL	64018L	92	120	11	26	19,5	43	59	72	70	55	Type A	0,72	682022
40	UCF 208 CL	68916L	102	131	11	30	22	47	65,5	80	78	65	Type A	0,95	63539
40*	SUCF 208 CL	61819L	83	110	11	26	19	44	66	80	78	65	Type A	0,88	600882
Grub screws shaft locking • Open unit															
25	UCF 205 CL	64623L	70	98	11	22,5	16,8	36,3	49,5	52	50	45	Type A	0,40	681972
25*	SUCF 205 CL	603053L	83	110	11	26	19,3	38,8	54	52	50	45	Type A	0,50	681972
30	UCF 206 CL	63172L	83	110	11	26	20	42	56	62	60	50	Type A	0,56	69965
35	UCF 207 CL	64028L	92	120	11	26	19,5	43	59	72	70	55	Type A	0,72	682032
40	UCF 208 CL	68926L	102	131	11	30	22	47	65,5	80	78	65	Type A	0,95	63549
40*	SUCF 208 CL	61829L	83	110	11	26	19	44	66	80	78	65	Type A	0,88	600892
Eccentric collar shaft locking • Closed unit															
25	HCF 205 CL	680452L	70	98	11	22,5	16,8	40,2	49,5	52	50	45	Type D	0,44	681952
25*	SHCF 205 CL	603063L	83	110	11	26	19,3	42,7	54	52	50	45	Type D	0,57	681952
30	HCF 206 CL	621501L	83	110	11	26	20	46,7	56	62	60	50	Type D	0,63	63154
35	HCF 207 CL	680462L	92	120	11	26	19,5	48,9	59	72	70	55	Type D	0,90	682022
40*	SHCF 208 CL	62439L	83	110	11	26	19	51,7	66	80	78	65	Type D	1,07	600882
Eccentric collar shaft locking • Open unit															
25	HCF 205 CL	680472L	70	98	11	22,5	16,8	40,2	49,5	52	50	45	Type D	0,44	681972
25*	SHCF 205 CL	603073L	83	110	11	26	19,3	42,7	54	52	50	45	Type D	0,57	681972
30	HCF 206 CL	621481L	83	110	11	26	20	46,7	56	62	60	50	Type D	0,63	69965
35	HCF 207 CL	680482L	92	120	11	26	19,5	48,9	59	72	70	55	Type D	0,90	682032
40*	SHCF 208 CL	62449L	83	110	11	26	19	51,7	66	80	78	65	Type D	1,07	600892

Item code for order = B0000 + Code

* = Version with special fixing holes.

Packaging: 6 pieces.

Best Seller

Standard

On request

Square flange bearing units

UCF - SUCF - HCF - SHCF



Accessories

Material

PA FV polyamide housing

- Housing in reinforced polyamide PA FV resin (black)
- Ball type nickel plated brass greasing nipple
- Reinforcing bushings on mounting holes and washers in stainless steel AISI 304.

PP FV polypropylene housing

- Housing in reinforced polypropylene PP FV resin (white)
- Bearing in stainless steel AISI 420
- Ball type stainless steel AISI 316 greasing nipple
- Reinforcing bushings on mounting holes and washers in stainless steel AISI 316.

Continuous operating temperature

in air: - 20 to + 60°C.

Maximum allowed misalignment: 2°.

Bearing

- Type B (grub screws shaft locking, chrome alloy steel, Superagriseal unit plus centrifuging ring)
- Type C (grub screws shaft locking, stainless steel AISI 420, Superagriseal unit plus rubberised centrifuging ring)
- Type A (grub screws shaft locking, chrome alloy steel, Superagriseal unit)
- Type D (eccentric collar shaft locking, chrome alloy steel, Superagriseal unit)
- Prelubricated with lithium / calcium grease
- Can be relubricated.

Grub screws or eccentric collar shaft locking

Version with bearing Type B

The double ring guarantees maximum protection against dust and non-corrosive substances.

Version with stainless steel bearing Type C

AISI 420 stainless steel bearing with 2 rubberised rings, provides excellent seal against humidity, steams, liquids, medium corrosive chemical agents. Maximum load ability is inferior.

Version with bearing Type A

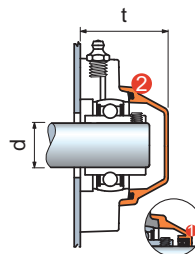
The rubberised ring guarantees maximum protection against dusts.

Material

Polyamide PA FV guarantees maximum strength and high-temperature resistance. Polypropylene PP FV offers excellent resistance to chemical agents but inferior load ability.

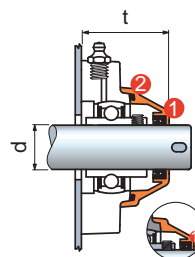
Protection covers (accessories)

Closed cover



Dia 45/50 supplied without o-ring

Open cover



Dia 45/50 supplied without o-ring

① Seals.

② Seals O-Ring.

dia. d mm	Accessories Cover orange	t mm
	Code	
Closed cover supplied with seals		
25	681952	49,5
25*	681952	54
30	63154	56
35	682022	59
35* Standard	63154	54,6
35* Solid	63539	61
40	63539	65,5
40*	600882	66
45*	686972	73
50*	686972	73
Open cover supplied with seals		
25	681972	49,5
25*	681972	54
30	69965	56
35	682032	59
35* Standard	-	-
35* Solid	615692	61
40	63549	65,5
40*	600892	66
45*	686992	73
50*	687002	73

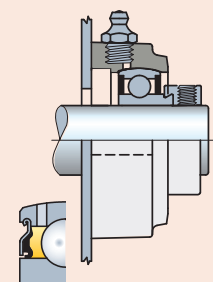
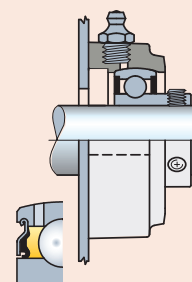
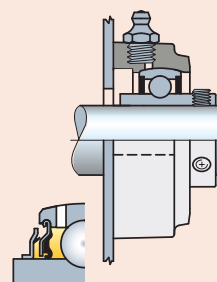
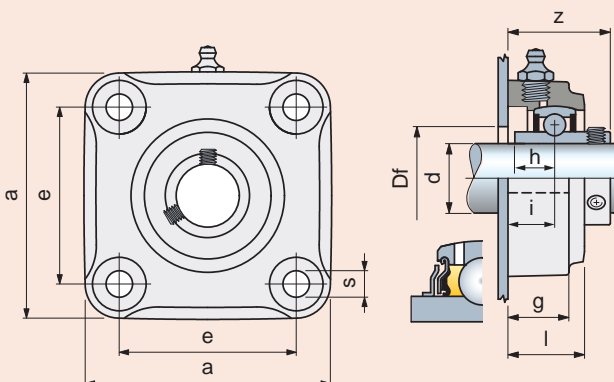
* = Version with special fixing holes.

• Series UCF • Type B
Grub screws shaft locking

• Series UCF • Type C
Grub screws shaft locking

• Series UCF • Type A
Grub screws shaft locking

• Series HCF • Type D
Eccentric collar shaft locking



dia. d mm	Series	Housing material		Dimensions in mm									Bore in frame Df mm	Bearing	Weight Kg
		Polyamide PA FV Standard Flange (black)	Polypropylene PP FV Solid Flange (white)	e	a	s	g	i	h	l	z				
		Code	Code												
Grub screws shaft locking • Version with bearing Type B															
25	UCF 205	64533	-	70	98	11	22,5	16,8	14,3	27,5	36,5	29	Type B	0,44	
25*	SUCF 205	603163	-	83	110	11	26	19,3	14,3	31,5	39	29	Type B	0,51	
30	UCF 206	60722	-	83	110	11	26	20	15,9	32,5	42,2	34	Type B	0,57	
35	UCF 207	64058	-	92	120	11	26	19,5	17,5	32	44,9	39	Type B	0,72	
35*	SUCF 207	68465	-	83	110	11	26	15,5	17,5	31,5	40,9	50	Type B	0,65	
40	UCF 208	68956	-	102	131	11	30	22	19	36	52,2	44	Type B	0,95	
40*	SUCF 208	61719	-	83	110	11	26	19	19	36	49,2	55	Type B	0,88	
45*	SUCF 209	689232	-	102	131	11	30	23	19	38	53,2	49	Type B	0,95	
50*	SUCF 210	689242	-	102	131	11	30	23	19	38	55,6	54	Type B	0,88	
Grub screws shaft locking • Version with stainless steel bearing Type C															
25	UCF 205	646592	681642	70	98	11	22,5	16,8	14,3	27,5	36,6	29	Type C	0,44	
30	UCF 206	646602	681652	83	110	11	26	20	15,9	32,5	42,2	34	Type C	0,57	
35	UCF 207	646612	681662	92	120	11	26	19,5	17,5	32	44,9	39	Type C	0,72	
35*	SUCF 207	646622	681672	83	110	11	26	15,5*	17,5	31,5	40,9	50	Type C	0,65	
40	UCF 208	646632	681682	102	131	11	30	22	19	36	52,2	44	Type C	0,95	
40*	SUCF 208	646642	681692	83	110	11	26	19	19	36	49,2	55	Type C	0,88	
Grub screws shaft locking • Version with bearing Type A															
25	UCF 205	656752	681282	70	98	11	22,5	16,8	-	27,5	36,3	29	Type A	0,39	
25*	SUCF 205	603143	-	83	110	11	26	19,3	-	31,5	38,8	29	Type A	0,48	
30	UCF 206	666442	681292	83	110	11	26	20	-	32,5	42	34	Type A	0,54	
35	UCF 207	666452	681302	92	120	11	26	19,5	-	32	43	39	Type A	0,69	
35*	SUCF 207	682062	681312	83	110	11	26	15,5*	-	31,5	39	39	Type A	0,62	
40	UCF 208	666462	681322	102	131	11	30	22	-	36	47	44	Type A	0,92	
40*	SUCF 208	681552	681332	83	110	11	26	19	-	36	44	44	Type A	0,85	
45*	SUCF 209	686852	686892	102	131	11	30	23	-	38	54	49	Type A	0,87	
50*	SUCF 210	686862	686902	102	131	11	30	23	-	38	55,6	54	Type A	1,04	
Eccentric collar shaft locking • Version with bearing Type D															
25	HCF 205	681562	681502	70	98	11	22,5	16,8	-	27,5	40,2	29	Type D	0,43	
25*	SHCF 205	603153	-	83	110	11	26	19,3	-	31,5	42,7	29	Type D	0,55	
30	HCF 206	62329	681512	83	110	11	26	20	-	32,5	46,7	34	Type D	0,61	
35	HCF 207	681572	681522	92	120	11	26	19,5	-	32	48,9	39	Type D	0,87	
35*	SHCF 207	681392 ¹⁾	681532	83	110	11	26	19,5	-	31,5	48,9	39	Type D	0,82	
40*	SHCF 208	62349	681542	83	110	11	26	19	-	36	51,7	44	Type D	1,04	
45*	SHCF 209	686912	686952	102	131	11	30	23	-	38	55,7	49	Type D	0,87	
50*	SHCF 210	686922	686962	102	131	11	30	23	-	38	55,7	54	Type D	1,04	

Item code for order = B0000 + Code

* = Version with special fixing holes.

¹⁾ = Solid flange.

• = Solid flange 19,5.

Packaging: 6 pieces.

● Best Seller

● Standard

● On request

Square flange bearing units

UCFS/C - SUCFS/C - HCFS/C - SHCFS/C

- Austenitic stainless steel surface
- Waterproof housing
- Grub screws or eccentric collar shaft locking
- Solid flange
- Closed surface structure.



Material

- Housing in reinforced polyamide PA FV resin (black)
- Austenitic stainless steel surface
- Protection cover in polypropylene PP (orange)
- Seal and O-Ring in NBR rubber (black)
- Ball type nickel plated brass greasing nipple.

Continuous operating temperature

in air: - 20 to + 60°C.

Maximum allowed misalignment: 2°.

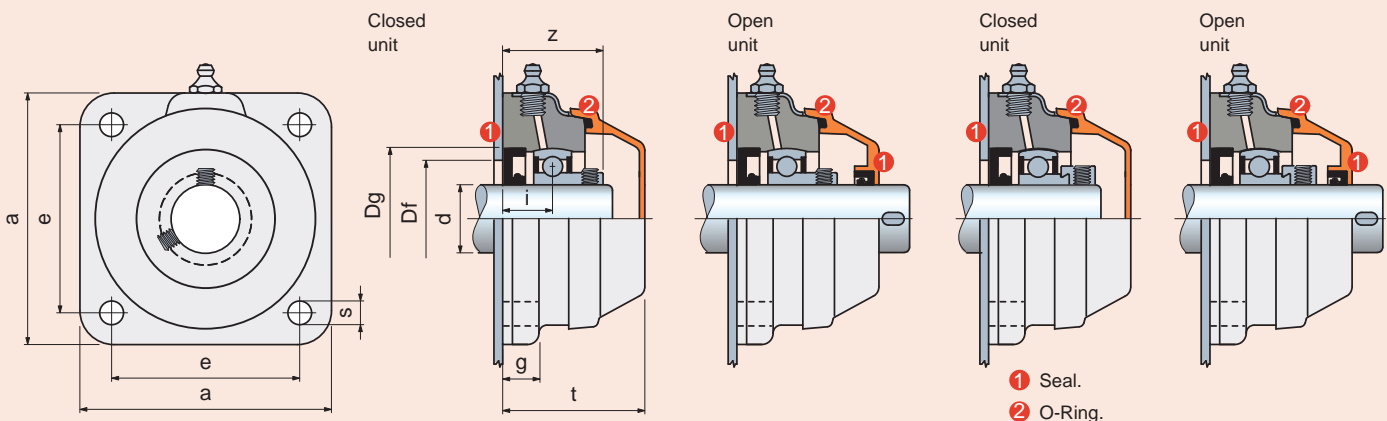
Bearing



- Type A (grub screws shaft locking)
- Type D (eccentric collar shaft locking)
- Chrome alloy steel
- Superagriseal unit
- Prelubricated with lithium / calcium grease
- Can be relubricated.

Series UCFS/C • Type A Grub screws shaft locking

Series HCFS/C • Type D Eccentric collar shaft locking



UCFS/C - SUCFS/C - HCFS/C - SHCFS/C

dia. d mm	Series	Housing material	Dimensions in mm										Bore in frame ¹⁾ Df		Weight Kg	Spare parts Cover orange	
		Polyamide PA FV with austenitic stainless steel surface Solid Flange Cover (orange)	e	a	s	g	i	z	t	Dg	max.	min.	Bearing	Code			
Grub screws shaft locking • Closed unit																	
30	UCFS 206 C	647613	83	111	10,5	15,9	22	44	65,8	62	60	50	Type A	0,73	63539		
35*	SUCFS 207 C	647623	83	111	10,5	15,9	22	45,5	65,8	72	70	55	Type A	0,84	63539		
40*	SUCFS 208 C	647633	83	111	10,5	15,9	22	47	65,8	80	78	65	Type A	0,94	63539		
Grub screws shaft locking • Open unit																	
30	UCFS 206 C	647643	83	111	10,5	15,9	22	44	65,8	62	60	50	Type A	0,73	615682		
35*	SUCFS 207 C	647653	83	111	10,5	15,9	22	45,5	65,8	72	70	55	Type A	0,84	615692		
40*	SUCFS 208 C	647663	83	111	10,5	15,9	22	47	65,8	80	78	65	Type A	0,94	63549		
Eccentric collar shaft locking • Closed unit																	
30	HCFS 206 C	647673	83	111	10,5	15,9	22	48,7	65,8	62	60	50	Type D	0,80	63539		
35*	SHCFS 207 C	647683	83	111	10,5	15,9	22	51,4	65,8	72	70	55	Type D	0,90	63539		
40*	SHCFS 208 C	647693	83	111	10,5	15,9	19	51,7	65,8	80	78	65	Type D	1,00	63539		
Eccentric collar shaft locking • Open unit																	
30	HCFS 206 C	647703	83	111	10,5	15,9	22	48,7	65,8	62	60	50	Type D	0,80	615682		
35*	SHCFS 207 C	647713	83	111	10,5	15,9	22	51,4	65,8	72	70	55	Type D	0,90	615692		
40*	SHCFS 208 C	647723	83	111	10,5	15,9	19	51,7	65,8	80	78	65	Type D	1,00	63549		

Item code for order = B0000 + Code

* = Version with special fixing holes.

¹⁾ = Dimensions Df max / Df min must be respected to ensure positive retention of the seals and to allow air bleeding during lubrication.

Packaging: 6 pieces.

● Best Seller

● Standard

● On request

Square flange bearing units

F - SF



Waterproof housing

Shaft shoulders locking

High axial load capacity.

PA FV polyamide housing

High mechanical and heat resistance. Proof to dust, humidity, washouts, steam, average aggressive chemical agents.

PP FV polypropylene housing

Proof to highly aggressive chemical agents. Inferior loading ability.

Material

PA FV polyamide housing

- Housing in reinforced polyamide PA FV resin (black)
- Seal and O-Ring in NBR rubber (black)
- Ball type nickel plated brass greasing nipple
- Reinforcing bushings on mounting holes and washers in stainless steel AISI 304.

PP FV polypropylene housing

- Housing in reinforced polypropylene PP FV resin (black)
- Seal and O-Ring in NBR rubber (black).
- On request supplied in Viton rubber (brown).
- Viton material offers high resistance to chemical agents.
- Ball type stainless steel AISI 316 greasing nipple
- Reinforcing bushings on mounting holes and washers in stainless steel AISI 316.

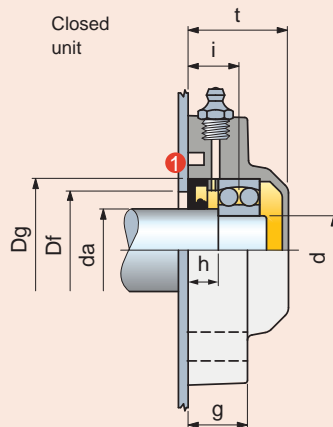
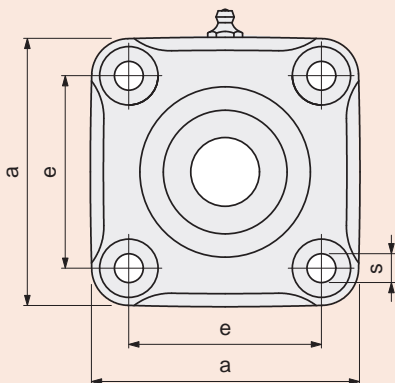
Continuous operating temperature

in air: - 20 to + 60°C.

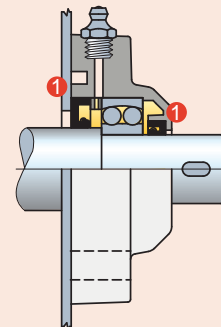
Maximum allowed misalignment: 2°.

Bearing

- Type 1200 self aligning ball bearing
- Chrome alloy steel
- Supplied without grease
- To be prelubricated with lithium / calcium grease during first installation.



Open unit



1 Seal.

Shaft dia. da mm	Bearing dia. d mm	Series	Housing material		Dimensions in mm										Bore in frame ¹⁾ Df		Bearing	Weight Kg
			Polyamide PA FV Standard Flange (black)	Polypropylene PP FV Standard Flange (black)	e	a	s	g	i	h	t	Dg	max.	min.				
			Code	Code														
Closed unit																		
30	25	F 1205	64433	681702	70	98	11	22,5	18,5	11	36,5	52	50	47	Type 1200	0,36		
35	30	F 1206	65811	681712	83	110	11	26	19	11	40	62	60	52	Type 1200	0,53		
40	35	F 1207	63978	681722	92	120	11	26	19,5	11	39,5	72	70	60	Type 1200	0,62		
40*	35*	SF 1207	699782	699802	83	110	11	26	19	10	39	72	70	60	Type 1200	0,60		
45	40	F 1208	68876	681732	102	131	11	30	24,5	15,5	45	80	78	65	Type 1200	0,85		
45*	40*	SF 1208	69988	681742	83	110	11	26	19	10	39	80	78	65	Type 1200	0,78		
Open unit																		
30	25	F 1205	64483	681752	70	98	11	22,5	18,5	11	36,5	52	50	47	Type 1200	0,36		
35	30	F 1206	65901	681762	83	110	11	26	19	11	40	62	60	52	Type 1200	0,53		
40	35	F 1207	63988	681772	92	120	11	26	19,5	11	39,5	72	70	60	Type 1200	0,62		
40*	35*	SF 1207	699792	699812	83	110	11	26	19	10	39	72	70	60	Type 1200	0,60		
45	40	F 1208	68886	681782	102	131	11	30	24,5	15,5	45	80	78	65	Type 1200	0,85		
45*	40*	SF 1208	69998	681792	83	110	11	26	19	10	39	80	78	65	Type 1200	0,78		

Item code for order = B0000 + Code

* = Version with special fixing holes.

¹⁾ = Dimensions Df max / Df min must be respected to ensure positive retention of the seals and to allow air bleeding during lubrication.

Packaging: 6 pieces.

Oval flange bearing units BALM

UCFX/T - SUCFX/T - HCFX/T - SHCFX/T



Material

PA FV polyamide housing

- Housing in reinforced polyamide PA FV resin (black)
- Protection cover in polypropylene PP (orange)
- Seal and O-Ring in NBR rubber (black)
- Ball type nickel plated brass greasing nipple
- Reinforcing bushings on mounting holes and washers in stainless steel AISI 304.

Continuous operating temperature

in air: - 20 to + 60°C.

Maximum allowed misalignment: 2°.

Bearing



- Type A (grub screws shaft locking)
- Type D (eccentric collar shaft locking)
- Chrome alloy steel
- Superagriseal unit
- Prelubricated with lithium / calcium grease
- Can be relubricated.

Waterproof housing

Grub screws or eccentric collar shaft locking

PA FV polyamide housing

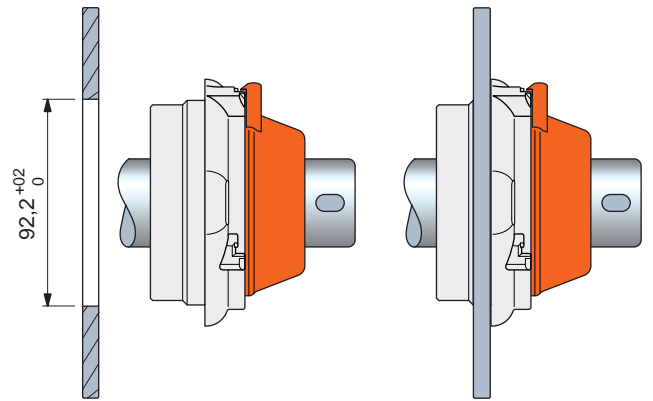
High mechanical and heat resistance. Proof to dust, humidity, washouts, steam, average aggressive chemical agents.

Solid flange bearings

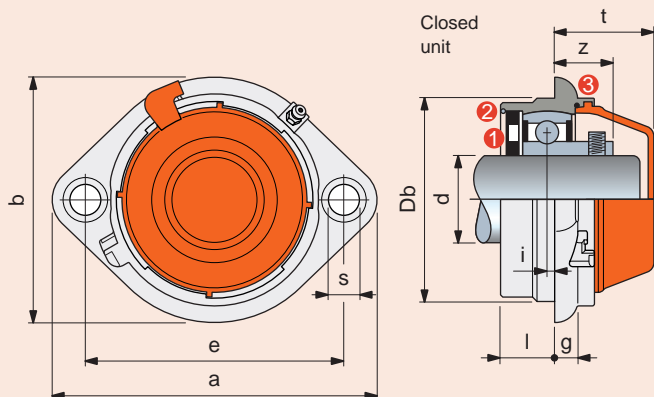
Closed surface structure, ideal for sanification.

BALM is the new generation of MB bearings that allows to standardize one universal solution in place of both square and oval versions, and moreover can simplify and reduce the cost of the conveyor structure in the drive area. **BALM** bearing is "self balanced", that means that bearing insert axis overlaps with the frame sheet axis: as a result torque and forces on the fixation screws are reduced and a smaller-cheaper frame to sustain the drive is possible. There is no need for multiple fixation points. Conveyor room requirement is significantly reduced. Cap coupling is waterproof: the new cap fixation concept enables an effective assembly disassembly and is safely secured.

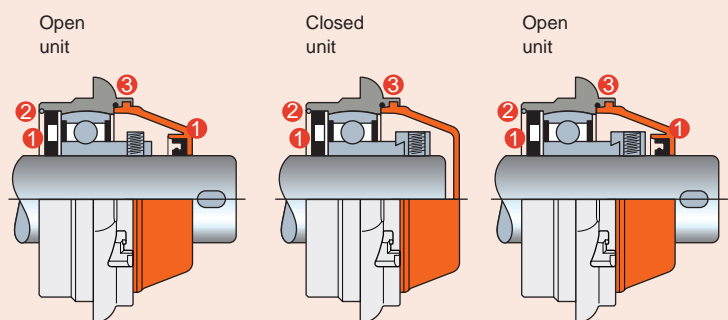
Assembly



• Series UCFX/T • Type A Grub screws shaft locking



• Series HCFX/T • Type D Eccentric collar shaft locking



- 1 Seal.
- 2 Safety ring.
- 3 O-Ring.

UCFX/T - SUCFX/T - HCFX/T - SHCFX/T

dia. d mm	Series	Housing material	Dimensions in mm											Db	Bearing	Weight Kg	Spare parts Cover orange
		Polyamide PA FV Solid Flange (black) Cover (orange) Code	e	a	b	s	g	l	i	z	t	Code					
Grub screws shaft locking • Closed unit																	
30	UCFX 206 T	630323	117	147	111	11	10,7	25	2	20,5	45	92	Type A	0,50	630443		
35	SUCFX 207 T	630333	117	147	111	11	10,7	25	2	21,5	45	92	Type A	0,57	630443		
40	SUCFX 208 T	630343	117	147	111	11	10,7	25	2	22,5	45	92	Type A	0,69	630443		
Grub screws shaft locking • Open unit																	
30	UCFX 206 T	630353	117	147	111	11	10,7	25	2	20,5	45	92	Type A	0,50	630453		
35	SUCFX 207 T	630363	117	147	111	11	10,7	25	2	21,5	45	92	Type A	0,57	630463		
40	SUCFX 208 T	630373	117	147	111	11	10,7	25	2	22,5	45	92	Type A	0,69	630473		
Eccentric collar shaft locking • Closed unit																	
30	HCFX 206 T	630383	117	147	111	11	10,7	25	2	25,2	45	92	Type D	0,58	630443		
35	SHCFX 207 T	630393	117	147	111	11	10,7	25	2	27,4	45	92	Type D	0,75	630443		
40	SHCFX 208 T	630403	117	147	111	11	10,7	25	2	30,2	45	92	Type D	0,88	630443		
Eccentric collar shaft locking • Open unit																	
30	HCFX 206 T	630413	117	147	111	11	10,7	25	2	25,2	45	92	Type D	0,58	630453		
35	SHCFX 207 T	630423	117	147	111	11	10,7	25	2	27,4	45	92	Type D	0,75	630463		
40	SHCFX 208 T	630433	117	147	111	11	10,7	25	2	30,2	45	92	Type D	0,88	630473		

Item code for order = B0000 + Code

Packaging: 6 pieces.

 Best Seller

 Standard

 On request

Oval flange bearing units

UCFLN/C - SUCFLN/C - HCFLN/C - SHCFLN/C



Waterproof housing

Grub screws or eccentric collar shaft locking

PA FV polyamide housing

High mechanical and heat resistance. Proof to dust, humidity, washouts, steam, average aggressive chemical agents.

PP FV polypropylene housing

Proof to highly aggressive chemical agents. Inferior loading ability.

Solid flange bearings

Closed surface structure, ideal for sanitation.

Material

PA FV polyamide housing

- Housing in reinforced polyamide PA FV resin (black)
- Protection cover in polypropylene PP (orange)
- Seal and O-Ring in NBR rubber (black)
- Ball type nickel plated brass greasing nipple
- Reinforcing bushings on mounting holes and washers in stainless steel AISI 304

PP FV polypropylene housing

- Housing in reinforced polypropylene PP FV resin (white)
- Protection cover in polypropylene PP (orange)
- Seal and O-Ring in NBR rubber (black).
On request supplied in Viton rubber (brown).
Viton material offers high resistance to chemical agents
- Ball type stainless steel AISI 316 greasing nipple
- Reinforcing bushings on mounting holes and washers in stainless steel AISI 316.

Continuous operating temperature

in air: - 20 to + 60°C.

Maximum allowed misalignment: 2°.

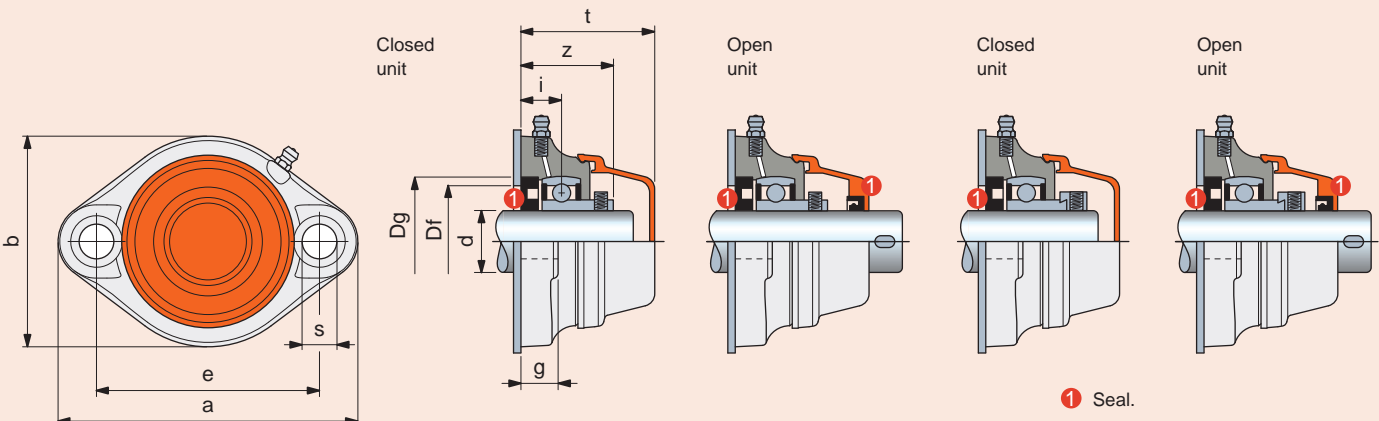
Bearing



- Type A (grub screws shaft locking)
- Type D (eccentric collar shaft locking)
- Chrome alloy steel
- Superagriseal unit
- Prelubricated with lithium / calcium grease
- Can be relubricated.

• Series UCFLN/C • Type A Grub screws shaft locking

• Series HCFLN/C • Type D Eccentric collar shaft locking



1 Seal.

UCFLN/C - SUCFLN/C - HCFLN/C - SHCFLN/C

dia. d mm	Series	Housing material		Dimensions in mm											Bore in frame ¹⁾ Df		Bearing	Weight Kg	Spare parts Cover orange
		Polyamide PA FV Solid Flange (black) Cover (orange)	Polypropylene PP FV Solid Flange (white) Cover (orange)	e	a	b	s	g	i	z	t	Dg	max.	min.	Code				
		Code	Code																
Grub screws shaft locking • Closed unit																			
17	UCFLN 203 C	629663	629823	76,5	100	70	11	11	17,5	33,5	49	40	38	33	Type A	0,19	629903		
20*	SUCFLN 204 C	629673	629833	76,5	100	70	11	11	15,2	33,2	49	47	45	40	Type A	0,21	629903		
25*	SUCFLN 205 C	625923	626083	90	122	85	11	15	16,8	36,3	54	52	50	45	Type A	0,28	626203		
30	UCFLN 206 C	633443	633523	117	149	85	11	15	20	42	55	62	60	50	Type A	0,37	63154		
30*	SUCFLN 206 C	625933	626093	90	122	85	11	15	15	37	54	62	60	50	Type A	0,37	626203		
Grub screws shaft locking • Open unit																			
17	UCFLN 203 C	629683	629843	76,5	100	70	11	11	17,5	33,5	49	40	38	33	Type A	0,19	629913		
20*	SUCFLN 204 C	629693	629853	76,5	100	70	11	11	15,2	33,2	49	47	45	40	Type A	0,21	629923		
25*	SUCFLN 205 C	625943	626103	90	122	85	11	15	16,8	36,3	54	52	50	45	Type A	0,28	626213		
30	UCFLN 206 C	633453	633533	117	149	85	11	15	20	42	55	62	60	50	Type A	0,37	69965		
30*	SUCFLN 206 C	625953	626113	90	122	85	11	15	15	37	54	62	60	50	Type A	0,37	626223		
Eccentric collar shaft locking • Closed unit																			
17	HCFLN 203 C	629703	629863	76,5	100	70	11	11	17,5	39,6	49	40	38	33	Type D	0,24	629903		
20*	SHCFLN 204 C	629713	629873	76,5	100	70	11	11	15,2	38,6	49	47	45	40	Type D	0,26	629903		
25*	SHCFLN 205 C	625963	626123	90	122	85	11	15	16,8	40,2	54	52	50	45	Type D	0,33	626203		
30	HCFLN 206 C	633463	633543	117	149	85	11	15	20	46,7	55	62	60	50	Type D	0,42	63154		
30*	SHCFLN 206 C	625973	626133	90	122	85	11	15	15	41,7	54	62	60	50	Type D	0,42	626203		
Eccentric collar shaft locking • Open unit																			
17	HCFLN 203 C	629723	629883	76,5	100	70	11	11	17,5	39,6	49	40	38	33	Type D	0,24	629913		
20*	SHCFLN 204 C	629733	629893	76,5	100	70	11	11	15,2	38,6	49	47	45	40	Type D	0,26	629923		
25*	SHCFLN 205 C	625983	626143	90	122	85	11	15	16,8	40,2	54	52	50	45	Type D	0,33	626213		
30	HCFLN 206 C	633473	633553	117	149	85	11	15	20	46,7	55	62	60	50	Type D	0,42	69965		
30*	SHCFLN 206 C	625993	626153	90	122	85	11	15	15	41,7	54	62	60	50	Type D	0,42	626223		

Item code for order = B0000 + Code

* = Version with special fixing holes.

¹⁾ = Dimensions Df max / Df min must be respected to ensure positive retention of the seals and to allow air bleeding during lubrication.

Packaging: 6 pieces.

Best Seller

Standard

On request

Oval flange bearing units

UCFLN/CL - SUCFLN/CL - HCFLN/CL - SHCFLN/CL



LIFE LUBRICATED



Dry use recommended

Life lubricated

The ball-bearings are pre-lubricated with a special grease keeping the bearing for its whole life. No need for re-lubrication (see page B78 to calculate the grease life).

Grub screws or eccentric collar shaft locking

PA FV polyamide housing

High mechanical and heat resistance. Proof to dust, humidity, washouts, steam, average aggressive chemical agents.

Solid flange bearings

Closed surface structure, ideal for sanitation.



Material

PA FV polyamide housing

- Housing in reinforced polyamide PA FV resin (black)
- Protection cover in polypropylene PP (orange)
- Seal and O-Ring in NBR rubber (black)
- Reinforcing bushings on mounting holes and washers in stainless steel AISI 304.

Continuous operating temperature

in air: - 20 to + 60°C.

Maximum allowed misalignment: 2°.

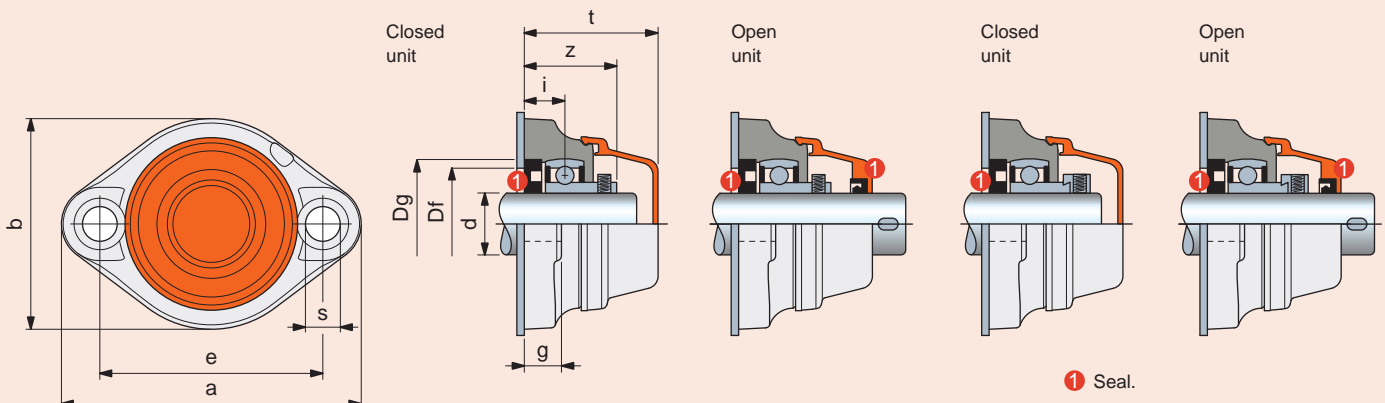
Bearing



- Type A (grub screws shaft locking)
- Type D (eccentric collar shaft locking)
- Chrome alloy steel
- Superagriseal unit
- Prelubricated with lithium / calcium grease, no need for re-lubrication.

• Series UCFLN/CL • Type A Grub screws shaft locking

• Series HCFLN/CL • Type D Eccentric collar shaft locking



1 Seal.

UCFLN/CL - SUCFLN/CL - HCFLN/CL - SHCFLN/CL

dia. d mm	Series	Housing material	Dimensions in mm									Bore in frame Df		Bearing	Weight Kg	Spare parts Cover orange
		Polyamide PA FV Solid Flange (black) Cover (orange) Code	e	a	b	s	g	i	z	t	Dg	max.	min.			Code
Grub screws shaft locking • Closed unit																
17	UCFLN 203 CL	629663L	76,5	100	70	11	11	17,5	33,5	49	40	38	33	Type A	0,19	629903
20*	SUCFLN 204 CL	629673L	76,5	100	70	11	11	15,2	33,2	49	47	45	40	Type A	0,21	629903
25*	SUCFLN 205 CL	625923L	90	122	85	11	15	16,8	36,3	54	52	50	45	Type A	0,28	626203
30	UCFLN 206 CL	633443L	117	149	85	11	15	20	42	55	62	60	50	Type A	0,37	63154
30*	SUCFLN 206 CL	625933L	90	122	85	11	15	15	37	54	62	60	50	Type A	0,37	626203
Grub screws shaft locking • Open unit																
17	UCFLN 203 CL	629683L	76,5	100	70	11	11	17,5	33,5	49	40	38	33	Type A	0,19	629913
20*	SUCFLN 204 CL	629693L	76,5	100	70	11	11	15,2	33,2	49	47	45	40	Type A	0,21	629923
25*	SUCFLN 205 CL	625943L	90	122	85	11	15	16,8	36,3	54	52	50	45	Type A	0,28	626213
30	UCFLN 206 CL	633453L	117	149	85	11	15	20	42	55	62	60	50	Type A	0,37	69965
30*	SUCFLN 206 CL	625953L	90	122	85	11	15	15	37	54	62	60	50	Type A	0,37	626223
Eccentric collar shaft locking • Closed unit																
17	HCFLN 203 CL	629703L	76,5	100	70	11	11	17,5	39,6	49	40	38	33	Type D	0,24	629903
20*	SHCFLN 204 CL	629713L	76,5	100	70	11	11	15,2	38,6	49	47	45	40	Type D	0,26	629903
25*	SHCFLN 205 CL	625963L	90	122	85	11	15	16,8	40,2	54	52	50	45	Type D	0,33	626203
30	HCFLN 206 CL	633463L	117	149	85	11	15	20	46,7	55	62	60	50	Type D	0,42	63154
30*	SHCFLN 206 CL	625973L	90	122	85	11	15	15	41,7	54	62	60	50	Type D	0,42	626203
Eccentric collar shaft locking • Open unit																
17	HCFLN 203 CL	629723L	76,5	100	70	11	11	17,5	39,6	49	40	38	33	Type D	0,24	629913
20*	SHCFLN 204 CL	629733L	76,5	100	70	11	11	15,2	38,6	49	47	45	40	Type D	0,26	629923
25*	SHCFLN 205 CL	625983L	90	122	85	11	15	16,8	40,2	54	52	50	45	Type D	0,33	626213
30	HCFLN 206 CL	633473L	117	149	85	11	15	20	46,7	55	62	60	50	Type D	0,42	69965
30*	SHCFLN 206 CL	625993L	90	122	85	11	15	15	41,7	54	62	60	50	Type D	0,42	626223

Item code for order = B0000 + Code

* = Version with special fixing holes.

Packaging: 6 pieces.

 Best Seller

 Standard

 On request

Oval flange bearing units

UCFLN - SUCFLN - HCFLN - SHCFLN



Accessories

Material

PA FV polyamide housing

- Housing in reinforced polyamide PA FV resin (black)
- Ball type nickel plated brass greasing nipple
- Reinforcing bushings on mounting holes and washers in stainless steel AISI 304.

PP FV polypropylene housing

- Housing in reinforced polypropylene PP FV resin (white)
- Bearing in stainless steel AISI 420
- Ball type stainless steel AISI 316 greasing nipple
- Reinforcing bushings on mounting holes and washers in stainless steel AISI 316.

Continuous operating temperature

in air: - 20 to + 60°C.

Maximum allowed misalignment: 2°.

Bearing

- Type B (grub screws shaft locking, chrome alloy steel, Superagriseal unit plus centrifuging ring)
- Type C (grub screws shaft locking, stainless steel AISI 420, Superagriseal unit plus rubberised centrifuging ring)
- Type A (grub screws shaft locking, chrome alloy steel, Superagriseal unit)
- Type D (eccentric collar shaft locking, chrome alloy steel, Superagriseal unit)
- Prelubricated with lithium / calcium grease
- Can be relubricated.

Grub screws or eccentric collar shaft locking

Version with bearing Type B

The double ring guarantees maximum protection against dust and non-corrosive substances.

Version with stainless steel bearing Type C

AISI 420 stainless steel bearing with 2 rubberised rings, provides excellent seal against humidity, steams, liquids, medium corrosive chemical agents. Maximum load ability is inferior.

Version with bearing Type A

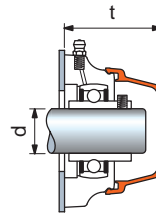
The rubberised ring guarantees maximum protection against dusts.

Material

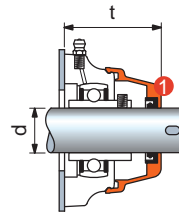
Polyamide PA FV guarantees maximum strength and high-temperature resistance. Polypropylene PP FV offers excellent resistance to chemical agents but inferior load ability.

Protection covers (accessories)

Closed cover



Open cover



① Seals.

dia. d mm	Accessories Cover orange	t mm	
	Code	UCFL	HCFL
Closed cover supplied			
17	629903	49	49
20*	629903	49	49
25*	626203	54	54
30	63154	55	55
30*	626203	54	54
Open cover supplied with seals			
17	629913	49	49
20*	629923	49	49
25*	626213	54	54
30	69965	55	55
30*	626223	54	54

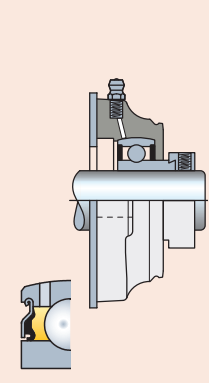
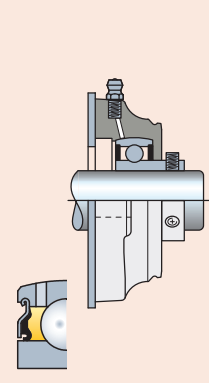
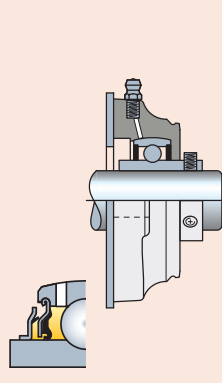
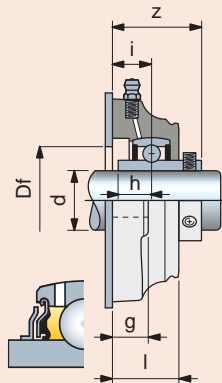
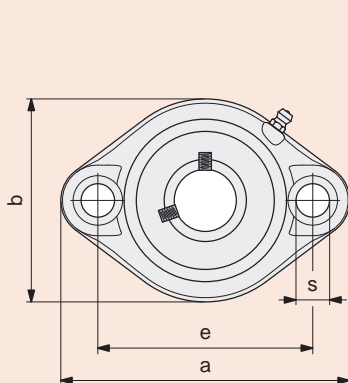
* = Version with special fixing holes.

• Series UCFLN • Type B
Grub screws shaft locking

• Series UCFLN • Type C
Grub screws shaft locking

• Series UCFLN • Type A
Grub screws shaft locking

• Series HCFLN • Type D
Eccentric collar shaft locking



UCFLN - SUCFLN - HCFLN - SHCFLN

dia. d mm	Series	Housing material		Dimensions in mm										Bore in frame Df mm	Bearing	Weight Kg
		Polyamide PA FV Solid Flange (black)	Polypropylene PP FV Solid Flange (white)	e	a	b	s	g	i	h	l	z				
		Code														
Grub screws shaft locking • Version with bearing Type B																
17	UCFLN 203	633563	-	76,5	100	70	11	11	17,5	11,5	25,5	33,4	21	Type B	0,13	
20*	SUCFLN 204	633573	-	76,5	100	70	11	11	15,2	12,7	25,5	33,5	24	Type B	0,15	
25*	SUCFLN 205	633583	-	90	122	85	11	15	16,8	14,3	28	36,5	29	Type B	0,20	
30	UCFLN 206	633593	-	117	149	85	11	15	20	15,9	32,5	42,2	34	Type B	0,29	
30*	SUCFLN 206	633603	-	90	122	85	11	15	15	15,9	28	37,2	45	Type B	0,29	
Grub screws shaft locking • Version with stainless steel bearing Type C																
20*	SUCFLN 204	633613	633893	76,5	100	70	11	11	15,2	12,7	25,5	33,5	24	Type C	0,15	
25*	SUCFLN 205	633623	633903	90	122	85	11	15	16,8	14,3	28	36,6	29	Type C	0,20	
30	UCFLN 206	633633	633913	117	149	85	11	15	20	15,9	32,5	42,2	34	Type C	0,29	
30*	SUCFLN 206	633643	633923	90	122	85	11	15	15	15,9	28	37,2	45	Type C	0,29	
Grub screws shaft locking • Version with bearing Type A																
17	UCFLN 203	633653	633933	76,5	100	70	11	11	17,5	-	25,5	33,5	21	Type A	0,13	
20*	SUCFLN 204	633663	633943	76,5	100	70	11	11	15,2	-	25,5	33,2	24	Type A	0,15	
25*	SUCFLN 205	633673	633953	90	122	85	11	15	16,8	-	28	36,3	29	Type A	0,20	
30	UCFLN 206	633683	633963	117	149	85	11	15	20	-	32,5	42	34	Type A	0,29	
30*	SUCFLN 206	633693	633973	90	122	85	11	15	15	-	28	37	34	Type A	0,29	
Eccentric collar shaft locking • Version with bearing Type D																
17	HCFLN 203	633703	633983	76,5	100	70	11	11	17,5	-	25,5	39,6	21	Type D	0,16	
20*	SHCFLN 204	633713	633993	76,5	100	70	11	11	15,2	-	25,5	38,6	24	Type D	0,18	
25*	SHCFLN 205	633723	634003	90	122	85	11	15	16,8	-	28	40,2	29	Type D	0,25	
30	HCFLN 206	633733	634013	117	149	85	11	15	20	-	32,5	46,7	34	Type D	0,34	
30*	SHCFLN 206	633743	634023	90	122	85	11	15	15	-	28	41,7	34	Type D	0,34	

Item code for order = B0000 + Code

* = Version with special fixing holes.

Packaging: 6 pieces.

 Best Seller

 Standard

 On request

Oval flange bearing units

UCFL/C - SUCFL/C - HCFL/C - SHCFL/C



Waterproof housing

Grub screws or eccentric collar shaft locking

PA FV polyamide housing

High mechanical and heat resistance. Proof to dust, humidity, washouts, steam, average aggressive chemical agents.

PP FV polypropylene housing

Proof to highly aggressive chemical agents. Inferior loading ability.

Solid flange bearings

They differ from standard flange versions for their closed surface structure, ideal for sanitation.

Material

PA FV polyamide housing

- Housing in reinforced polyamide PA FV resin (black)
- Protection cover in polypropylene PP (orange)
- Seal and O-Ring in NBR rubber (black)
- Ball type nickel plated brass greasing nipple
- Reinforcing bushings on mounting holes and washers in stainless steel AISI 304

PP FV polypropylene housing

- Housing in reinforced polypropylene PP FV resin (white)
- Protection cover in polypropylene PP (orange)
- Seal and O-Ring in NBR rubber (black).
On request supplied in Viton rubber (brown).
Viton material offers high resistance to chemical agents
- Ball type stainless steel AISI 316 greasing nipple
- Reinforcing bushings on mounting holes and washers in stainless steel AISI 316.

Continuous operating temperature

in air: - 20 to + 60°C.

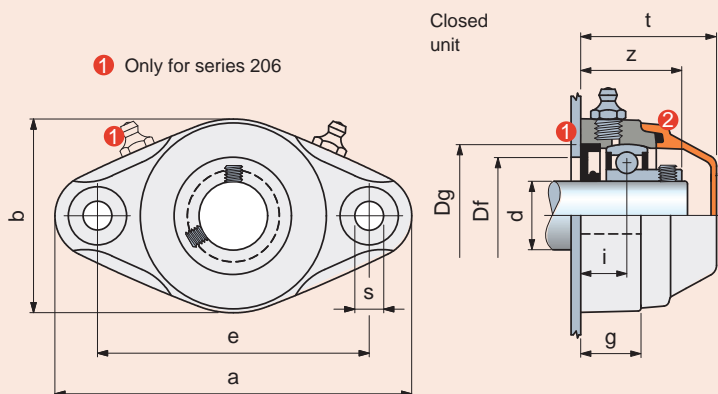
Maximum allowed misalignment: 2°.

Bearing

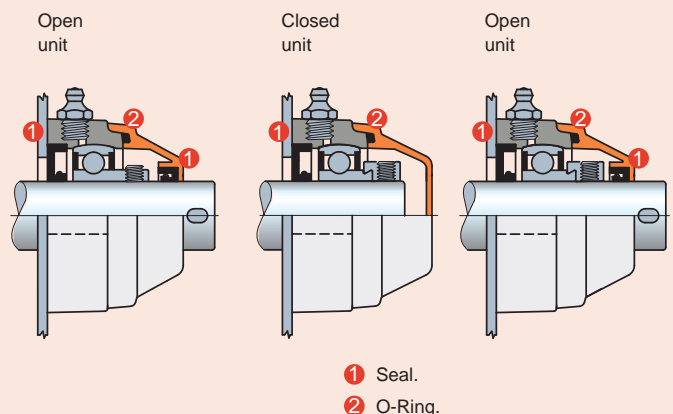


- Type A (grub screws shaft locking)
- Type D (eccentric collar shaft locking)
- Chrome alloy steel
- Superagriseal unit
- Prelubricated with lithium / calcium grease
- Can be relubricated.

• Series UCFL/C • Type A Grub screws shaft locking



• Series HCFL/C • Type D Eccentric collar shaft locking



UCFL/C - SUCFL/C - HCFL/C - SHCFL/C

dia. d mm	Series	Housing material		Dimensions in mm										Bore in frame ²⁾ Df		Bearing	Weight Kg	Spare parts Cover orange Code
		Polyamide PA FV Standard Flange (black) Cover (orange)	Polypropylene PP FV Solid Flange (white) Cover (orange)	e	a	b	s	g	i	z	t	Dg	max.	min.				
		Code																
Grub screws shaft locking • Closed unit																		
17*	SUCFL 203 C	603763	603803	90	116	62	11	20	15,2	31,2	46	40	38	33	Type A	0,22	681942	
20	UCFL 204 C	69016	679652	90	116	62	11	20	15,2	33,2	46	47	45	40	Type A	0,25	681942	
25	UCFL 205 C	68523	679662	99	130	71	11	22,5	16,8	36,3	49,5	52	50	45	Type A	0,33	681952	
25*	SUCFL 205 C	687562¹⁾	687722	90	130	71	11	22,5	16,8	36,3	49,5	52	50	45	Type A	0,33	681952	
30	UCFL 206 C	68399	679672	117	148	85	11	26	20	42	56	62	60	50	Type A	0,42	63154	
30*	SUCFL 206 C	687572¹⁾	687732	99	148	85	11	26	20	42	56	62	60	50	Type A	0,42	63154	
35	UCFL 207 C	648131	679682	130	162	93	11	26	19,5	43	59	72	70	55	Type A	0,65	682022	
35*	SUCFL 207 C	697702¹⁾	697862	117	148	112	11	26	19,5	43	62	72	70	55	Type A	0,70	63539	
40	UCFL 208 C	672411	679692	144	176	102	11	30	22	47	65,5	80	78	65	Type A	0,90	63539	
40*	SUCFL 208 C	697712¹⁾	697872	117	148	112	11	26	19	44	62	80	78	65	Type A	0,74	63539	
Grub screws shaft locking • Open unit																		
17*	SUCFL 203 C	603813	603853	90	116	62	11	20	15,2	31,2	46	40	38	33	Type A	0,22	696162	
20	UCFL 204 C	69026	679702	90	116	62	11	20	15,2	33,2	46	47	45	40	Type A	0,25	681962	
25	UCFL 205 C	68533	679712	99	130	71	11	22,5	16,8	36,3	49,5	52	50	45	Type A	0,33	681972	
25*	SUCFL 205 C	687582¹⁾	687742	90	130	71	11	22,5	16,8	36,3	49,5	52	50	45	Type A	0,33	681972	
30	UCFL 206 C	68409	679722	117	148	85	11	26	20	42	56	62	60	50	Type A	0,42	69965	
30*	SUCFL 206 C	687592¹⁾	687752	99	148	85	11	26	20	42	56	62	60	50	Type A	0,42	69965	
35	UCFL 207 C	648141	679732	130	162	93	11	26	19,5	43	59	72	70	55	Type A	0,65	682032	
35*	SUCFL 207 C	697722¹⁾	697882	117	148	112	11	26	19,5	43	62	72	70	55	Type A	0,70	615692	
40	UCFL 208 C	672421	679742	144	176	102	11	30	22	47	65,5	80	78	65	Type A	0,90	63549	
40*	SUCFL 208 C	697732¹⁾	697892	117	148	112	11	26	19	44	62	80	78	65	Type A	0,74	63549	
Eccentric collar shaft locking • Closed unit																		
17*	SHCFL 203 C	603863	603903	90	116	62	11	20	15,2	37,3	49	40	38	33	Type D	0,27	681942	
20	HCFL 204 C	679052	679752	90	116	62	11	20	15,2	38,6	49	47	45	40	Type D	0,30	681942	
25	HCFL 205 C	679062	679762	99	130	71	11	22,5	16,8	40,2	49,5	52	50	45	Type D	0,37	681952	
25*	SHCFL 205 C	687602¹⁾	687762	90	130	71	11	22,5	16,8	40,2	49,5	52	50	45	Type D	0,37	681952	
30	HCFL 206 C	679072	679772	117	148	85	11	26	20	46,7	56	62	60	50	Type D	0,49	63154	
30*	SHCFL 206 C	687612¹⁾	687772	99	148	85	11	26	20	46,7	56	62	60	50	Type D	0,49	63154	
35	HCFL 207 C	679082	679782	130	162	93	11	26	19,5	48,9	59	72	70	55	Type D	0,83	682022	
35*	SHCFL 207 C	697742¹⁾	697902	117	148	112	11	26	19,5	48,9	62	72	70	55	Type D	0,88	63539	
40	HCLF 208 C	679092	679792	144	176	102	11	30	22	54,7	71	80	78	65	Type D	1,09	600882	
40*	SHCFL 208 C	697752¹⁾	697912	117	148	112	11	26	19	51,7	68	80	78	65	Type D	0,93	600882	
Eccentric collar shaft locking • Open unit																		
17*	SHCFL 203 C	603913	603953	90	116	62	11	20	15,2	37,3	49	40	38	33	Type D	0,27	696162	
20	HCFL 204 C	679102	679802	90	116	62	11	20	15,2	38,6	49	47	45	40	Type D	0,30	681962	
25	HCFL 205 C	679112	679812	99	130	71	11	22,5	16,8	40,2	49,5	52	50	45	Type D	0,37	681972	
25*	SHCFL 205 C	687622¹⁾	687782	90	130	71	11	22,5	16,8	40,2	49,5	52	50	45	Type D	0,37	681972	
30	HCFL 206 C	679122	679822	117	148	85	11	26	20	46,7	56	62	60	50	Type D	0,49	69965	
30*	SHCFL 206 C	687632¹⁾	687792	99	148	85	11	26	20	46,7	56	62	60	50	Type D	0,49	69965	
35	HCFL 207 C	679132	679832	130	162	93	11	26	19,5	48,9	59	72	70	55	Type D	0,83	682032	
35*	SHCFL 207 C	697762¹⁾	697922	117	148	112	11	26	19,5	48,9	62	72	70	55	Type D	0,88	615692	
40	HCFL 208 C	679142	679842	144	176	102	11	30	22	54,7	71	80	78	65	Type D	1,09	600892	
40*	SHCFL 208 C	697772	697932	117	148	112	11	26	19	51,7	68	80	78	65	Type D	0,93	600892	

Item code for order = B0000 + Code

* = Version with special fixing holes.

SUCFL206C/SHCFL206C: Assembly with cylindrical head screws.

¹⁾ = Solid flange.

²⁾ = Dimensions Df max / Df min must be respected to ensure positive retention of the seals and to allow air bleeding during lubrication.

Packaging: 6 pieces.

Best Seller

Standard

On request

Oval flange bearing units

UCFL/CL - SUCFL/CL - HCFL/CL - SHCFL/CL

LIFE LUBRICATED



Dry use recommended



Life lubricated

The ball-bearings are pre-lubricated with a special grease keeping the bearing for its whole life. No need for re-lubrication (see page B78 to calculate the grease life)

Grub screws or eccentric collar shaft locking

PA FV polyamide housing

High mechanical and heat resistance. Proof to dust, humidity, washouts, steam, average aggressive chemical agents.

Solid flange bearings

They differ from standard flange versions for their closed surface structure, ideal for sanitation.

Material

PA FV polyamide housing

- Housing in reinforced polyamide PA FV resin (black)
- Protection cover in polypropylene PP (orange)
- Seal and O-Ring in NBR rubber (black)
- Reinforcing bushings on mounting holes and washers in stainless steel AISI 304.

Continuous operating temperature

in air: - 20 to + 60°C.

Maximum allowed misalignment: 2°.

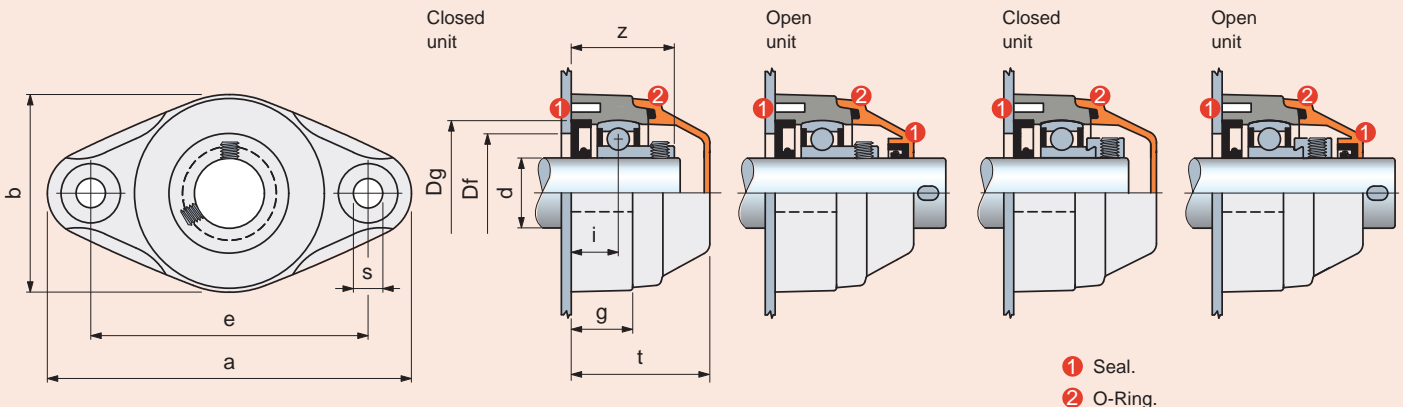
Bearing



- Type A (grub screws shaft locking)
- Type D (eccentric collar shaft locking)
- Chrome alloy steel
- Superagriseal unit
- Prelubricated with lithium / calcium grease, no need for re-lubrication.

• Series UCFL/CL • Type A Grub screws shaft locking

• Series HCFL/CL • Type D Eccentric collar shaft locking



- 1 Seal.
- 2 O-Ring.

UCFL/CL - SUCFL/CL - HCFL/CL - SHCFL/CL

dia. d mm	Series	Housing material		Dimensions in mm										Bore in frame Df		Bearing	Weight Kg	Spare parts Cover orange
		Polyamide PA FV Standard Flange (black) Cover (orange)	Code	e	a	b	s	g	i	z	t	Dg	max.	min.	Code			
Grub screws shaft locking • Closed unit																		
20	UCFL 204 CL	69016L	90	116	62	11	20	15,2	33,2	46	47	45	40	Type A	0,25	681942		
25	UCFL 205 CL	68523L	99	130	71	11	22,5	16,8	36,3	49,5	52	50	45	Type A	0,33	681952		
25*	SUCFL 205 CL	687562L ¹⁾	90	130	71	11	22,5	16,8	36,3	49,5	52	50	45	Type A	0,33	681952		
30	UCFL 206 CL	68399L	117	148	85	11	26	20	42	56	62	60	50	Type A	0,42	63154		
30*	SUCFL 206 CL	687572L ¹⁾	99	148	85	11	26	20	42	56	62	60	50	Type A	0,42	63154		
35	UCFL 207 CL	648131L	130	162	93	11	26	19,5	43	59	72	70	55	Type A	0,65	682022		
35*	SUCFL 207 CL	697702L ¹⁾	117	148	112	11	26	19,5	43	62	72	70	55	Type A	0,70	63539		
40	UCFL 208 CL	672411L	144	176	102	11	30	22	47	65,5	80	78	65	Type A	0,90	63539		
40*	SUCFL 208 CL	697712L ¹⁾	117	148	112	11	26	19	44	62	80	78	65	Type A	0,74	63539		
Grub screws shaft locking • Open unit																		
20	UCFL 204 CL	69026L	90	116	62	11	20	15,2	33,2	46	47	45	40	Type A	0,25	681962		
25	UCFL 205 CL	68533L	99	130	71	11	22,5	16,8	36,3	49,5	52	50	45	Type A	0,33	681972		
25*	SUCFL 205 CL	687582L ¹⁾	90	130	71	11	22,5	16,8	36,3	49,5	52	50	45	Type A	0,33	681972		
30	UCFL 206 CL	68409L	117	148	85	11	26	20	42	56	62	60	50	Type A	0,42	69965		
30*	SUCFL 206 CL	687592L ¹⁾	99	148	85	11	26	20	42	56	62	60	50	Type A	0,42	69965		
35	UCFL 207 CL	648141L	130	162	93	11	26	19,5	43	59	72	70	55	Type A	0,65	682032		
35*	SUCFL 207 CL	697722L ¹⁾	117	148	112	11	26	19,5	43	62	72	70	55	Type A	0,70	615692		
40	UCFL 208 CL	672421L	144	176	102	11	30	22	47	65,5	80	78	65	Type A	0,90	63549		
40*	SUCFL 208 CL	697732L ¹⁾	117	148	112	11	26	19	44	62	80	78	65	Type A	0,74	63549		
Eccentric collar shaft locking • Closed unit																		
20	HCFL 204 CL	679052L	90	116	62	11	20	15,2	38,6	49	47	45	40	Type D	0,30	681942		
25	HCFL 205 CL	679062L	99	130	71	11	22,5	16,8	40,2	49,5	52	50	45	Type D	0,37	681952		
25*	SHCFL 205 CL	687602L ¹⁾	90	130	71	11	22,5	16,8	40,2	49,5	52	50	45	Type D	0,37	681952		
30	HCFL 206 CL	679072L	117	148	85	11	26	20	46,7	56	62	60	50	Type D	0,49	63154		
30*	SHCFL 206 CL	687612L ¹⁾	99	148	85	11	26	20	46,7	56	62	60	50	Type D	0,49	63154		
35	HCFL 207 CL	679082L	130	162	93	11	26	19,5	48,9	59	72	70	55	Type D	0,83	682022		
35*	SHCFL 207 CL	697742L ¹⁾	117	148	112	11	26	19,5	48,9	62	72	70	55	Type D	0,88	63539		
40	HCFL 208 CL	679092L	144	176	102	11	30	22	54,7	71	80	78	65	Type D	1,09	600882		
40*	SHCFL 208 CL	697752L ¹⁾	117	148	112	11	26	19	51,7	68	80	78	65	Type D	0,93	600882		
Eccentric collar shaft locking • Open unit																		
20	HCFL 204 CL	679102L	90	116	62	11	20	15,2	38,6	49	47	45	40	Type D	0,30	681962		
25	HCFL 205 CL	679112L	99	130	71	11	22,5	16,8	40,2	49,5	52	50	45	Type D	0,37	681972		
25*	SHCFL 205 CL	687622L ¹⁾	90	130	71	11	22,5	16,8	40,2	49,5	52	50	45	Type D	0,37	681972		
30	HCFL 206 CL	679122L	117	148	85	11	26	20	46,7	56	62	60	50	Type D	0,49	69965		
30*	SHCFL 206 CL	687632L ¹⁾	99	148	85	11	26	20	46,7	56	62	60	50	Type D	0,49	69965		
35	HCFL 207 CL	679132L	130	162	93	11	26	19,5	48,9	59	72	70	55	Type D	0,83	682032		
35*	SHCFL 207 CL	697762L ¹⁾	117	148	112	11	26	19,5	48,9	62	72	70	55	Type D	0,88	615692		
40	HCFL 208 CL	679142L	144	176	102	11	30	22	54,7	71	80	78	65	Type D	1,09	600892		
40*	SHCFL 208 CL	697772L ¹⁾	117	148	112	11	26	19	51,7	68	80	78	65	Type D	0,93	600892		

Item code for order = B0000 + Code

* = Version with special fixing holes.

SUCFL206CL/SHCFL206CL: Assembly with cylindrical head screws.

¹⁾ = Solid flange.

Packaging: 6 pieces.

Best Seller

Standard

On request

Oval flange bearing units

UCFL - SUCFL - HCFL - SHCFL



Accessories

Material

PA FV polyamide housing

- Housing in reinforced polyamide PA FV resin (black)
- Ball type nickel plated brass greasing nipple
- Reinforcing bushings on mounting holes and washers in stainless steel AISI 304.

PP FV polypropylene housing

- Housing in reinforced polypropylene PP FV resin (white)
- Bearing in stainless steel AISI 420
- Ball type stainless steel AISI 316 greasing nipple
- Reinforcing bushings on mounting holes and washers in stainless steel AISI 316.

Continuous operating temperature

in air: - 20 to + 60°C.

Maximum allowed misalignment: 2°.

Bearing

- Type B (grub screws shaft locking, chrome alloy steel, Superagriseal unit plus centrifuging ring)
- Type C (grub screws shaft locking, stainless steel AISI 420, Superagriseal unit plus rubberised centrifuging ring)
- Type A (grub screws shaft locking, chrome alloy steel, Superagriseal unit)
- Type D (eccentric collar shaft locking, chrome alloy steel, Superagriseal unit)
- Prelubricated with lithium / calcium grease
- Can be relubricated.

Grub screws or eccentric collar shaft locking

Version with bearing Type B

The double ring guarantees maximum protection against dust and non-corrosive substances.

Version with stainless steel bearing Type C

AISI 420 stainless steel bearing with 2 rubberised rings, provides excellent seal against humidity, steams, liquids, medium corrosive chemical agents. Maximum load ability is inferior.

Version with bearing Type A

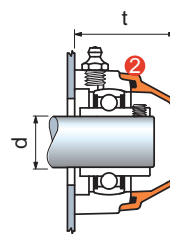
The rubberised ring guarantees maximum protection against dusts.

Material

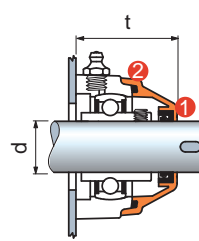
Polyamide PA FV guarantees maximum strength and high-temperature resistance. Polypropylene PP FV offers excellent resistance to chemical agents but inferior load ability.

Protection covers (accessories)

Closed cover



Open cover



- 1 Seals.
- 2 Seals O-Ring.

dia. d mm	Accessories	t mm	
	Cover orange Code	UCFL	HCFL
Closed cover supplied with seals			
17*	681942	46	49
20	681942	46	49
25	681952	49,5	49,5
25*	681952	49,5	49,5
30	63154	55	55
30*	63154	55	55
35	682022	59	59
35*	63539	62	62
40 ¹⁾	63539	65,5	-
40 ²⁾	600882	-	71
Open cover supplied with seals			
17*	696162	46	49
20	681962	46	49
25	681972	49,5	49,5
25*	681972	49,5	49,5
30	69965	55	55
30*	69965	55	55
35	682032	59	59
35*	615692	62	62
40 ¹⁾	63549	65,5	-
40 ²⁾	600892	-	71

* = Version with special fixing holes.

¹⁾ = Protection cover for bearing unit with grub screws shaft locking.

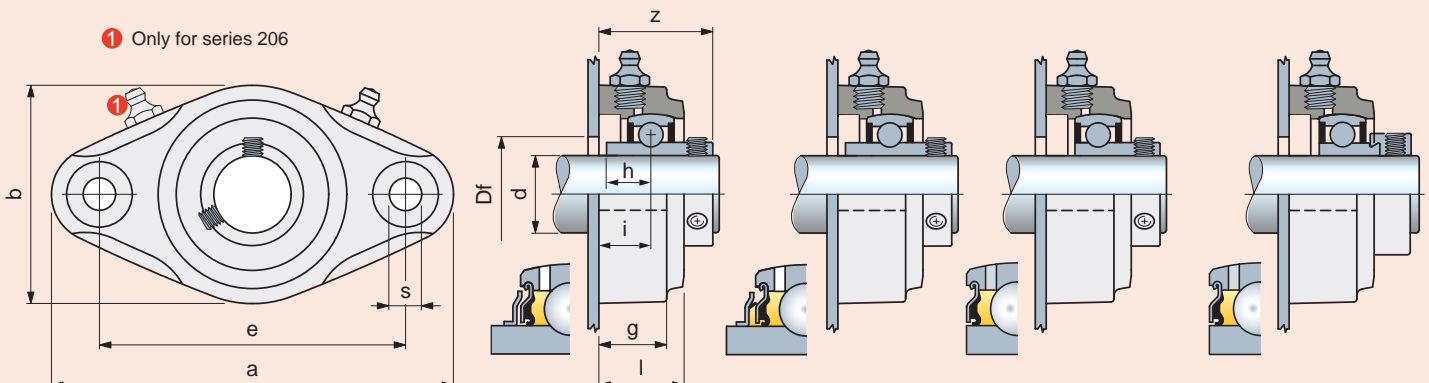
²⁾ = Protection cover for bearing unit with eccentric collar shaft locking.

• Series UCFL • Type B
Grub screws shaft locking

• Series UCFL • Type C
Grub screws shaft locking

• Series UCFL • Type A
Grub screws shaft locking

• Series HCFL • Type D
Eccentric collar shaft locking



UCFL - SUCFL - HCFL - SHCFL

dia. d mm	Series	Housing material		Dimensions in mm									Bore in frame Df mm	Bearing	Weight Kg
		Polyamide PA FV	Polypropylene PP FV	e	a	b	s	g	i	h	l	z			
		Standard Flange (black)	Solid Flange (white)												
Grub screws shaft locking • Version with bearing Type B															
17*	SUCFL 203	640982	-	90	116	62	11	20	15,2	11,5	25,5	31,1	21	Type B	0,23
20	UCFL 204	69056	-	90	116	62	11	20	15,2	12,7	25	33,5	24	Type B	0,25
25	UCFL 205	68563	-	99	130	71	11	22,5	16,8	14,3	27,5	36,5	29	Type B	0,31
25*	SUCFL 205	687922 ¹⁾	-	90	130	71	11	22,5	16,8	14,3	27,5	36,5	29	Type B	0,31
30	UCFL 206	68439	-	117	148	85	11	26	19	15,9	32,5	41,2	34	Type B	0,44
30*	SUCFL 206	687932 ¹⁾	-	99	148	85	11	26	19	15,9	32,5	41,2	34	Type B	0,44
35	UCFL 207	648171	-	130	162	93	11	26	19,5	17,5	32	44,9	39	Type B	0,67
35*	SUCFL 207	602303 ¹⁾	-	117	148	112	11	26	19,5	17,5	33	44,9	39	Type B	0,68
40	UCFL 208	672451	-	144	176	102	11	30	22	19	36	52,2	44	Type B	0,90
40*	SUCFL 208	602313 ¹⁾	-	117	148	112	11	26	19	19	33	49,2	44	Type B	0,72
Grub screws shaft locking • Version with stainless steel bearing Type C															
20	UCFL 204	646542	680302	90	116	62	11	20	15,2	12,7	25	33,5	24	Type C	0,25
25	UCFL 205	646552	680312	99	130	71	11	22,5	16,8	14,3	27,5	36,6	29	Type C	0,31
25*	SUCFL 205	687942 ¹⁾	687982	90	130	71	11	22,5	16,8	14,3	27,5	36,6	29	Type C	0,31
30	UCFL 206	646562	680322	117	148	85	11	26	19	15,9	32,5	41,2	34	Type C	0,44
30*	SUCFL 206	687952 ¹⁾	687992	99	148	85	11	26	19	15,9	32,5	41,2	34	Type C	0,44
35	UCFL 207	646572	680332	130	162	93	11	26	19,5	17,5	32	44,9	39	Type C	0,67
35*	SUCFL 207	602323 ¹⁾	697962	117	148	112	11	26	19,5	17,5	33	44,9	39	Type C	0,68
40	UCFL 208	646582	680342	144	176	102	11	30	22	19	36	52,2	44	Type C	0,90
40*	SUCFL 208	602333 ¹⁾	697972	117	148	112	11	26	19	19	33	49,2	44	Type C	0,72
Grub screws shaft locking • Version with bearing Type A															
17*	SUCFL 203	603963	604003	90	116	62	11	20	15,2	-	25,5	31,2	21	Type A	0,21
20	UCFL 204	655482	680152	90	116	62	11	20	15,2	-	25	33,2	24	Type A	0,23
25	UCFL 205	655472	680162	99	130	71	11	22,5	16,8	-	27,5	36,3	29	Type A	0,31
25*	SUCFL 205	687802 ¹⁾	687882	90	130	71	11	22,5	16,8	-	27,5	36,3	29	Type A	0,31
30	UCFL 206	666412	680172	117	148	85	11	26	20	-	32,5	42	34	Type A	0,39
30*	SUCFL 206	687812 ¹⁾	687892	99	148	85	11	26	20	-	32,5	42	34	Type A	0,39
35	UCFL 207	666422	680182	130	162	93	11	26	19,5	-	32	43	39	Type A	0,62
35*	SUCFL 207	602183 ¹⁾	602263	117	148	112	11	26	19,5	-	33	43	39	Type A	0,86
40	UCFL 208	666432	680192	144	176	102	11	30	22	-	36	47	44	Type A	0,86
40*	SUCFL 208	602193 ¹⁾	602273	117	148	112	11	26	19	-	33	44	44	Type A	0,91
Eccentric collar shaft locking • Version with bearing Type D															
17*	SHCFL 203	604013	604053	90	116	62	11	20	15,2	-	25,5	37,3	21	Type D	0,26
20	HCFL 204	679852	680202	90	116	62	11	20	15,2	-	25	38,6	24	Type D	0,28
25	HCFL 205	679862	680212	99	130	71	11	22,5	16,8	-	27,5	40,2	29	Type D	0,35
25*	SHCFL 205	687822 ¹⁾	687902	90	130	71	11	22,5	16,8	-	27,5	40,2	29	Type D	0,35
30	HCFL 206	679872	680222	117	148	85	11	26	20	-	32,5	46,7	34	Type D	0,46
30*	SHCFL 206	687832 ¹⁾	687912	99	148	85	11	26	20	-	32,5	46,7	34	Type D	0,46
35	HCFL 207	679882	680232	130	162	93	11	26	19,5	-	32	48,9	39	Type D	0,79
35*	SHCFL 207	602203 ¹⁾	602283	117	148	112	11	26	19,5	-	33	48,9	39	Type D	0,86
40	HCFL 208	679892	680242	144	176	102	11	30	22	-	36	54,7	44	Type D	1,05
40*	SHCFL 208	602213 ¹⁾	602293	117	148	112	11	26	19	-	33	51,7	44	Type D	0,91

Item code for order = B0000 + Code

* = Version with special fixing holes.

SUCFL/SHCFL: Assembly with cylindrical head screws.

¹⁾ = Solid flange.

Packaging: 6 pieces.

Best Seller

Standard

On request

Oval flange bearing units

UCFLS/C - SUCFLS/C - HCFLS/C - SHCFLS/C



Austenitic stainless steel surface

Waterproof housing

Grub screws or eccentric collar shaft locking

Solid flange

Patent pending design with perfect seal: rubber makes one-body with steel and engineering plastic bearing seat.

Material

- Housing in reinforced polyamide PA FV resin (black)
- Austenitic stainless steel surface
- Sealing in NBR rubber (black)
- Protection cover in polypropylene PP (orange)
- Seal and O-Ring in NBR rubber (black)
- Ball type nickel plated brass greasing nipple.

Continuous operating temperature

in air: - 20 to + 60°C.

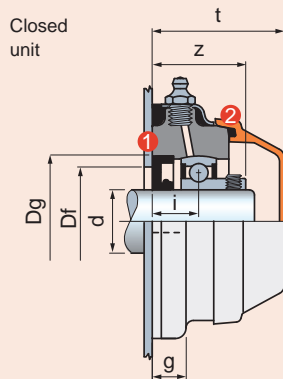
Maximum allowed misalignment: 2°.

Bearing

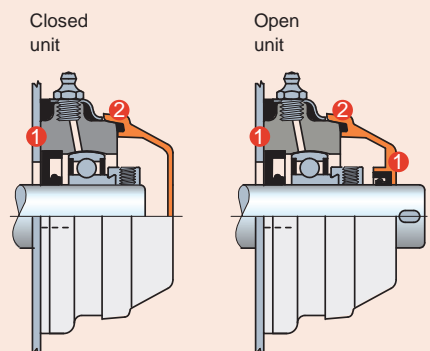


- Type A (grub screws shaft locking)
- Type D (eccentric collar shaft locking)
- Chrome alloy steel
- Supergriseal unit
- Prelubricated with lithium / calcium grease
- Can be relubricated.

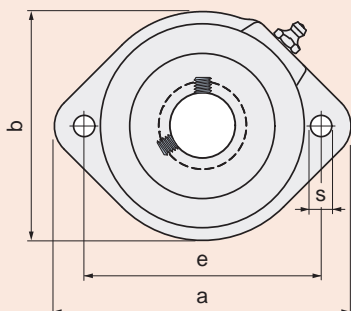
• Series UCFLS/C • Type A Grub screws shaft locking



• Series HCFLS/C • Type D Eccentric collar shaft locking



- 1 Seal.
- 2 O-Ring.



UCFLS/C - SUCFLS/C - HCFLS/C - SHCFLS/C

dia. d mm	Series	Housing material		Dimensions in mm										Bore in frame ¹⁾ Df		Weight Kg	Spare parts Cover orange	
		Polyamide PA FV with austenitic stainless steel surface Solid Flange Cover (orange)	Code	e	a	b	s	g	i	z	t	Dg	max.	min.	Bearing		Code	
Grub screws shaft locking • Closed unit																		
30	UCFLS 206 C	670792	117	145	112	10,5	15,5	22	44	65,8	62	60	50	Type A	0,65	63539		
35*	SUCFLS 207 C	670802	117	145	112	10,5	15,5	22	45,5	65,8	72	70	55	Type A	0,76	63539		
40*	SUCFLS 208 C	670812	117	145	112	10,5	15,5	22	47	65,8	80	78	65	Type A	0,86	63539		
Grub screws shaft locking • Open unit																		
30	UCFLS 206 C	670822	117	145	112	10,5	15,5	22	44	65,8	62	60	50	Type A	0,65	615682		
35*	SUCFLS 207 C	670832	117	145	112	10,5	15,5	22	45,5	65,8	72	70	55	Type A	0,76	615692		
40*	SUCFLS 208 C	670842	117	145	112	10,5	15,5	22	47	65,8	80	78	65	Type A	0,86	63549		
Eccentric collar shaft locking • Closed unit																		
30	HCFLS 206 C	670852	117	145	112	10,5	15,5	22	48,7	65,8	62	60	50	Type D	0,72	63539		
35*	SHCFLS 207 C	670862	117	145	112	10,5	15,5	22	51,4	65,8	72	70	55	Type D	0,82	63539		
40*	SHCFLS 208 C	670872	117	145	112	10,5	15,5	19	51,7	65,8	80	78	65	Type D	0,92	63539		
Eccentric collar shaft locking • Open unit																		
30	HCFLS 206 C	670882	117	145	112	10,5	15,5	22	48,7	65,8	62	60	50	Type D	0,72	615682		
35*	SHCFLS 207 C	670892	117	145	112	10,5	15,5	22	51,4	65,8	72	70	55	Type D	0,82	615692		
40*	SHCFLS 208 C	670902	117	145	112	10,5	15,5	19	51,7	65,8	80	78	65	Type D	0,92	63549		

Item code for order = B0000 + Code

* = Version with special fixing holes.

¹⁾ = Dimensions Df max / Df min must be respected to ensure positive retention of the seals and to allow air bleeding during lubrication.

Packaging: 6 pieces.

● Best Seller

● Standard

● On request

Oval flange bearing units

FL



Waterproof housing

Shaft shoulders locking

High axial load capacity.

PA FV polyamide housing

High mechanical and heat resistance. Proof to dust, humidity, washouts, steam, average aggressive chemical agents.

PP FV polypropylene housing

Proof to highly aggressive chemical agents. Inferior loading ability.

Material

PA FV polyamide housing

- Housing in reinforced polyamide PA FV resin (black)
- Seal and O-Ring in NBR rubber (black)
- Ball type nickel plated brass greasing nipple
- Reinforcing bushings on mounting holes and washers in stainless steel AISI 304.

PP FV polypropylene housing

- Housing in reinforced polypropylene PP FV resin (black)
- Seal and O-Ring in NBR rubber (black).
- On request supplied in Viton rubber (brown).
Viton material offers high resistance to chemical agents.
- Ball type stainless steel AISI 316 greasing nipple
- Reinforcing bushings on mounting holes and washers in stainless steel AISI 316.

Continuous operating temperature

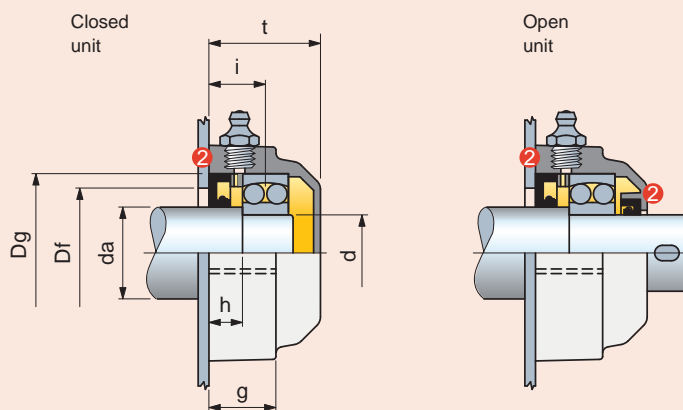
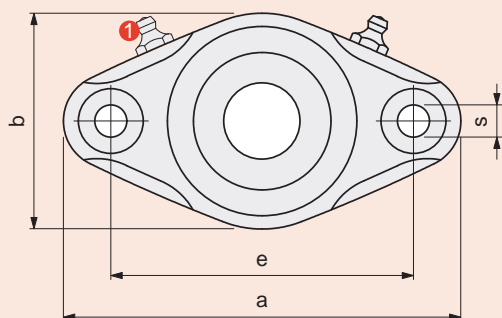
in air: - 20 to + 60°C.

Maximum allowed misalignment: 2°.

Bearing

- Type 1200 self aligning ball bearing
- Chrome alloy steel
- Supplied without grease
- To be prelubricated with lithium / calcium grease during first installation.

1 Only for Type 1206



2 Seal.

Shaft dia. da mm	Bearing dia. d mm	Series	Housing material		Dimensions in mm										Bore in frame ¹⁾ Df		Bearing	Weight Kg
			Polyamide PA FV Standard Flange (black)	Polypropylene PP FV Standard Flange (black)	e	a	b	s	g	i	h	t	Dg	max.	min.			
			Code															
Closed unit																		
25	20	FL 1204	68976	680352	90	116	62	11	20	18	11	35,5	47	45	40	Type 1200	0,25	
30	25	FL 1205	68483	680362	99	130	71	11	22,5	18,5	11	36,5	52	50	47	Type 1200	0,29	
35	30	FL 1206	68339	680372	117	148	85	11	26	19	11	40	62	60	52	Type 1200	0,39	
40	35	FL 1207	648091	680382	130	162	93	11	26	19,5	11	40	72	70	60	Type 1200	0,55	
45	40	FL 1208	672371	680392	144	176	102	11	30	25	16	45	80	78	65	Type 1200	0,71	
Open unit																		
25	20	FL 1204	68986	680402	90	116	62	11	20	18	11	35,5	47	45	40	Type 1200	0,25	
30	25	FL 1205	68493	680412	99	130	71	11	22,5	18,5	11	36,5	52	50	47	Type 1200	0,29	
35	30	FL 1206	68349	680422	117	148	85	11	26	19	11	40	62	60	52	Type 1200	0,39	
40	35	FL 1207	648101	680432	130	162	93	11	26	19,5	11	40	72	70	60	Type 1200	0,55	
45	40	FL 1208	672381	680442	144	176	102	11	30	25	16	45	80	78	65	Type 1200	0,71	

Item code for order = B0000 + Code

¹⁾ = Dimensions Df max / Df min must be respected to ensure positive retention of the seals and to allow air bleeding during lubrication.

Packaging: 6 pieces.

Pillow block type bearing units

UCP/C - HCP/C



Waterproof housing

Grub screws or eccentric collar shaft locking

PA FV polyamide housing

High mechanical and heat resistance. Proof to dust, humidity, washouts, steam, average aggressive chemical agents.

PP FV polypropylene housing

Proof to highly aggressive chemical agents. Inferior loading ability.

Material

PA FV polyamide housing

- Housing in reinforced polyamide PA FV resin (black)
- Protection cover in polypropylene PP (orange)
- Seal and O-Ring in NBR rubber (black)
- Ball type nickel plated brass greasing nipple
- Reinforcing bushings on mounting holes and washers in stainless steel AISI 304
- Stainless steel AISI 303 safety ring.

PP FV polypropylene housing

- Housing in reinforced polypropylene PP FV resin (white)
- Protection cover in polypropylene PP (orange)
- Seal and O-Ring in NBR rubber (black).
On request supplied in Viton rubber (brown).
Viton material offers high resistance to chemical agents
- Ball type stainless steel AISI 316 greasing nipple
- Reinforcing bushings on mounting holes and washers in stainless steel AISI 316
- Stainless steel AISI 303 safety ring.

Continuous operating temperature

in air: - 20 to + 60°C.

Maximum allowed misalignment: 2°.

Bearing



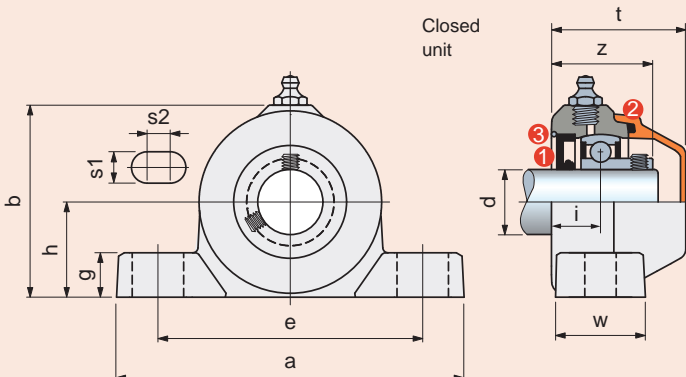
- Type A (grub screws shaft locking)
- Type D (eccentric collar shaft locking)
- Chrome alloy steel
- Superagriseal unit
- Prelubricated with lithium / calcium grease
- Can be relubricated.

Spare parts for all bearings

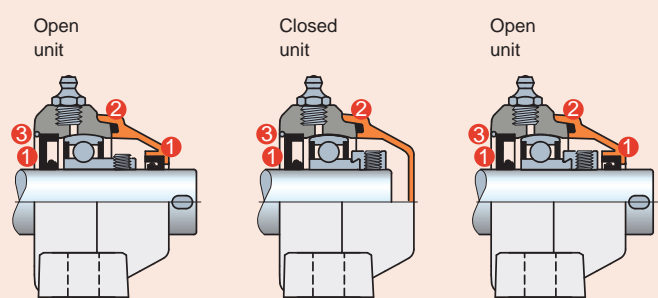


dia. d mm	Code
Safety ring	
20	600982
25	646281
30	646291
35	646301
40	601052

• Series UCP/C • Type A Grub screws shaft locking



• Series HCP/C • Type D Eccentric collar shaft locking



- 1 Seal.
- 2 O-Ring.
- 3 Safety ring.

dia. d mm	Series	Housing material		Dimensions in mm												Bearing	Weight Kg	Spare parts Cover orange
		Polyamide PA FV Flange (black) Cover (orange)	Polypropylene PP FV Flange (white) Cover (orange)	e	a	h	b	s1	s2	g	w	i	z	t	Code			
		Code													Code			
Grub screws shaft locking • Closed unit																		
20	UCP 204 C	682941	678352	96	128	33,3	67	12	10	17	30	18,9	36,9	49,7	Type A	0,27	681942	
25	UCP 205 C	646511	678362	106	140	36,5	75	12	10	17	34,5	18,8	38,3	51,5	Type A	0,33	681952	
30	UCP 206 C	646531	678372	121	163	42,9	88	14	10	20	36	19,7	41,7	55	Type A	0,49	63154	
35	UCP 207 C	646551	678382	126	167	47,6	98	14	10	20	38,6	21,3	44,8	61	Type A	0,64	682022	
40	UCP 208 C	683041	678392	136	185	50	102	14	10	20	38,6	25	50	66,5	Type A	0,84	63539	
Grub screws shaft locking • Open unit																		
20	UCP 204 C	682931	678402	96	128	33,3	67	12	10	17	30	18,9	36,9	49,7	Type A	0,27	681962	
25	UCP 205 C	646521	678412	106	140	36,5	75	12	10	17	34,5	18,8	38,3	51,5	Type A	0,33	681972	
30	UCP 206 C	646541	678422	121	163	42,9	88	14	10	20	36	19,7	41,7	55	Type A	0,49	69965	
35	UCP 207 C	646561	678432	126	167	47,6	98	14	10	20	38,6	21,3	44,8	61	Type A	0,64	682032	
40	UCP 208 C	683031	678442	136	185	50	102	14	10	20	38,6	25	50	66,5	Type A	0,84	63549	
Eccentric collar shaft locking • Closed unit																		
20	HCP 204 C	677952	678452	96	128	33,3	67	12	10	17	30	18,9	42,3	52	Type D	0,32	681942	
25	HCP 205 C	677962	678462	106	140	36,5	75	12	10	17	34,5	18,8	42,2	51,5	Type D	0,37	681952	
30	HCP 206 C	677972	678472	121	163	42,9	88	14	10	20	36	19,7	46,4	55	Type D	0,56	63154	
35	HCP 207 C	677982	678482	126	167	47,6	98	14	10	20	38,6	21,3	50,7	61	Type D	0,82	682022	
40	HCP 208 C	677992	678492	136	185	50	102	14	10	20	38,6	25	57,7	72	Type D	1,03	600882	
Eccentric collar shaft locking • Open unit																		
20	HCP 204 C	678002	678502	96	128	33,3	67	12	10	17	30	18,9	42,3	52	Type D	0,32	681962	
25	HCP 205 C	678012	678512	106	140	36,5	75	12	10	17	34,5	18,8	42,2	51,5	Type D	0,37	681972	
30	HCP 206 C	678022	678522	121	163	42,9	88	14	10	20	36	19,7	46,4	55	Type D	0,56	69965	
35	HCP 207 C	678032	678532	126	167	47,6	98	14	10	20	38,6	21,3	50,7	61	Type D	0,82	682032	
40	HCP 208 C	678042	678542	136	185	50	102	14	10	20	38,6	25	57,7	72	Type D	1,03	600892	

Item code for order = B0000 + Code
 Packaging: 6 pieces.

Best Seller

Standard

On request

Pillow block type bearing units

UCP - HCP



Accessories

Material

PA FV polyamide housing

- Housing in reinforced polyamide PA FV resin (black)
- Ball type nickel plated brass greasing nipple
- Reinforcing bushings on mounting holes and washers in stainless steel AISI 304.

PP FV polypropylene housing

- Housing in reinforced polypropylene PP FV resin (white)
- Ball type stainless steel AISI 316 greasing nipple
- Reinforcing bushings on mounting holes and washers in stainless steel AISI 316.

Continuous operating temperature

in air: - 20 to + 60°C.

Maximum allowed misalignment: 2°.

Bearing

- Type B (grub screws shaft locking, chrome alloy steel, Superagriseal unit plus centrifuging ring)
- Type C (grub screws shaft locking, stainless steel AISI 420, Superagriseal unit plus rubberised centrifuging ring)
- Type A (grub screws shaft locking, chrome alloy steel, Superagriseal unit)
- Type D (eccentric collar shaft locking, chrome alloy steel, Superagriseal unit)
- Prelubricated with lithium / calcium grease
- Can be relubricated.

Grub screws or eccentric collar shaft locking

Version with bearing Type B

The double ring guarantees maximum protection against dust and non-corrosive substances.

Version with stainless steel bearing Type C

AISI 420 stainless steel bearing with 2 rubberised rings, provides excellent seal against humidity, steams, liquids, medium corrosive chemical agents. Maximum load ability is inferior.

Version with bearing Type A

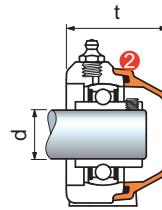
The rubberised ring guarantees maximum protection against dusts.

Material

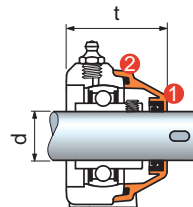
Polyamide PA FV guarantees maximum strength and high-temperature resistance. Polypropylene PP FV offers excellent resistance to chemical agents but inferior load ability.

Protection covers (accessories)

Closed cover



Open cover



- ① Seals.
- ② Seals O-Ring.

dia. d mm	Accessories	t mm	
	Cover orange Code	UCFL	HCFL
Closed cover supplied with seals			
20	681942	49,7	52
25	681952	51,5	51,5
30	63154	55	55
35	682022	61	61
40 ¹⁾	63539	66,5	-
40 ²⁾	600882	-	72
Open cover supplied with seals			
20	681962	49,7	52
25	681972	51,5	51,5
30	69965	55	55
35	682032	61	61
40 ¹⁾	63549	66,5	-
40 ²⁾	600892	-	72

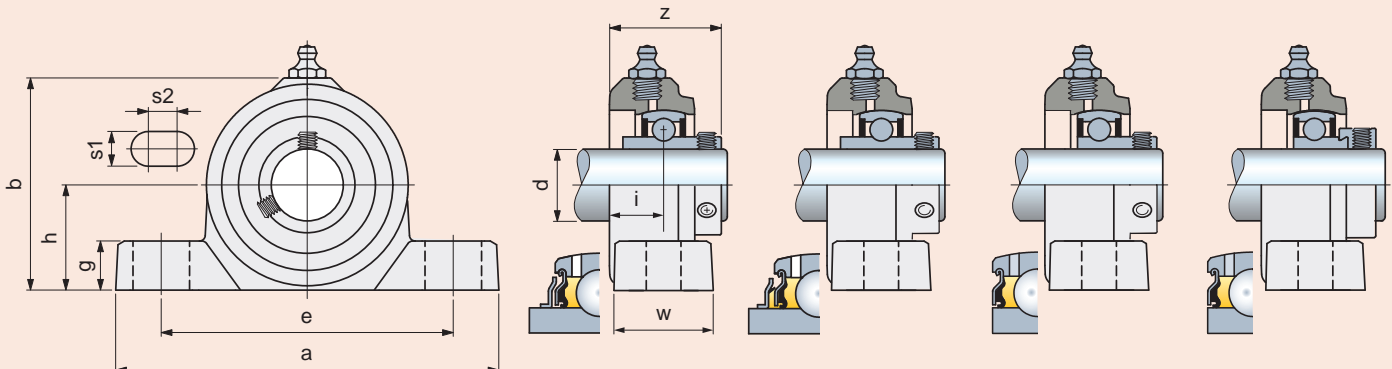
- ¹⁾ = Protection cover for bearing unit with grub screws shaft locking.
- ²⁾ = Protection cover for bearing unit with eccentric collar shaft locking.

• Series UCP • Type B Grub screws shaft locking

• Series UCP • Type C Grub screws shaft locking

• Series UCP • Type A Grub screws shaft locking

• Series HCP • Type D Eccentric collar shaft locking



dia. d mm	Series	Housing material		Dimensions in mm										Bearing	Weight Kg
		Polyamide PA FV Flange (black)	Polypropylene PP FV Flange (white)	e	a	h	b	s1	s2	g	w	i	z		
		Code													
Grub screws shaft locking • Version with bearing Type B															
20	UCP 204	682921	-	96	128	33,3	67	12	10	17	30	18,9	37,2	Type B	0,27
25	UCP 205	648781	-	106	140	36,5	75	12	10	17	34,5	18,8	38,5	Type B	0,33
30	UCP 206	648791	-	121	163	42,9	88	14	10	20	36	19,7	41,9	Type B	0,49
35	UCP 207	648801	-	126	167	47,6	98	14	10	20	38,6	21,3	46,7	Type B	0,64
40	UCP 208	683021	-	136	185	50	102	14	10	20	38,6	25	55,2	Type B	0,84
Grub screws shaft locking • Version with stainless steel bearing Type C															
20	UCP 204	646492	679002	96	128	33,3	67	12	10	17	30	18,9	37,2	Type C	0,27
25	UCP 205	646502	679012	106	140	36,5	75	12	10	17	34,5	18,8	38,6	Type C	0,33
30	UCP 206	646512	679022	121	163	42,9	88	14	10	20	36	19,7	41,9	Type C	0,49
35	UCP 207	646522	679032	126	167	47,6	98	14	10	20	38,6	21,3	46,7	Type C	0,64
40	UCP 208	646532	679042	136	185	50	102	14	10	20	38,6	25	55,2	Type C	0,84
Grub screws shaft locking • Version with bearing Type A															
20	UCP 204	678552	678852	96	128	33,3	67	12	10	17	30	18,9	36,9	Type A	0,24
25	UCP 205	678562	678862	106	140	36,5	75	12	10	17	34,5	18,8	38,3	Type A	0,30
30	UCP 206	678572	678872	121	163	42,9	88	14	10	20	36	19,7	41,7	Type A	0,44
35	UCP 207	678582	678882	126	167	47,6	98	14	10	20	38,6	21,3	44,8	Type A	0,54
40	UCP 208	678592	678892	136	185	50	102	14	10	20	38,6	25	50	Type A	0,72
Eccentric collar shaft locking • Version with bearing Type D															
20	HCP 204	678602	678902	96	128	33,3	67	12	10	17	30	18,9	42,3	Type D	0,29
25	HCP 205	678612	678912	106	140	36,5	75	12	10	17	34,5	18,8	42,2	Type D	0,34
30	HCP 206	678622	678922	121	163	42,9	88	14	10	20	36	19,7	46,4	Type D	0,51
35	HCP 207	678632	678932	126	167	47,6	98	14	10	20	38,6	21,3	50,7	Type D	0,72
40	HCP 208	678642	678942	136	185	50	102	14	10	20	38,6	25	57,7	Type D	0,91

Item code for order = B0000 + Code

Packaging: 6 pieces.

 Best Seller

 Standard

 On request

Compact pillow block

UCPA/C - HCPA/C



Waterproof housing

Grub screws or eccentric collar shaft locking

PA FV polyamide housing

High mechanical and heat resistance. Proof to dust, humidity, washouts, steam, average aggressive chemical agents.

PP FV polypropylene housing

Proof to highly aggressive chemical agents. Inferior loading ability.

Material

PA FV polyamide housing

- Housing in reinforced polyamide PA FV resin (black)
- Protection cover in polypropylene PP (orange)
- Seal and O-Ring in NBR rubber (black)
- Ball type nickel plated brass greasing nipple
- Nickel plated brass threaded bushings.

PP FV polypropylene housing

- Housing in reinforced polypropylene PP FV resin (white)
- Protection cover in polypropylene PP (orange)
- Seal and O-Ring in NBR rubber (black).
On request supplied in Viton rubber (brown).
Viton material offers high resistance to chemical agents
- Ball type stainless steel AISI 316 greasing nipple
- Nickel plated brass threaded bushings.

Continuous operating temperature

in air: - 20 to + 60°C.

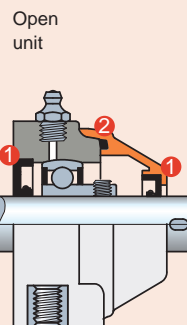
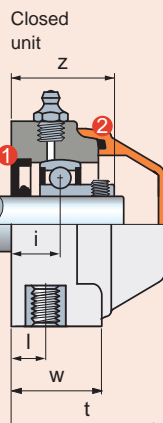
Maximum allowed misalignment: 2°.

Bearing

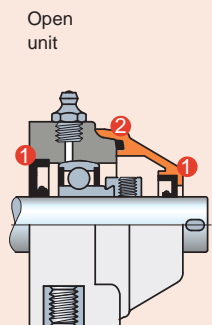
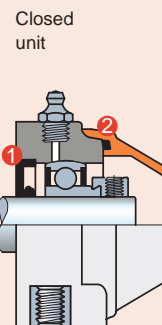


- Type A (grub screws shaft locking)
- Type A (eccentric collar shaft locking)
- Chrome alloy steel
- Superagriseal unit
- Prelubricated with lithium / calcium grease
- Can be relubricated.

• Series UCPA/C • Type A Grub screws shaft locking



• Series HCPA/C • Type D Eccentric collar shaft locking



- ① Seal.
- ② O-Ring.

dia. d mm	Series	Housing material		Dimensions in mm											Bearing	Weight Kg	Spare parts Cover orange
		Polyamide PA FV Flange (black) Cover (orange)	Polypropylene PP FV Flange (white) Cover (orange)	e	a	h	b	s	w	i	l	z	t	Code			
Grub screws shaft locking • Closed unit																	
17	UCPA 203 C	696182	696542	47	70	30,2	62	M8	28	15,2	10	31,2	49	Type A	0,22	681942	
20	UCPA 204 C	696192	696552	50,8	70	33,2	65	M8	28	15,2	10	33,2	49	Type A	0,25	681942	
25	UCPA 205 C	696202	696562	50,8	75	36,5	72	M10	30	16,8	12	36,3	52	Type A	0,29	681952	
Grub screws shaft locking • Open unit																	
17	UCPA 203 C	696212	696572	47	70	30,2	62	M8	28	15,2	10	31,2	49	Type A	0,22	696162	
20	UCPA 204 C	696222	696582	50,8	70	33,2	65	M8	28	15,2	10	33,2	49	Type A	0,25	681962	
25	UCPA 205 C	696232	696592	50,8	75	36,5	72	M10	30	16,8	12	36,3	52	Type A	0,29	681972	
Eccentric collar shaft locking • Closed unit																	
17	HCPA 203 C	696242	696602	47	70	30,2	62	M8	28	15,2	10	37,3	49	Type D	0,24	681942	
20	HCPA 204 C	696252	696612	50,8	70	33,2	65	M8	28	15,2	10	38,6	49	Type D	0,27	681942	
25	HCPA 205 C	696262	696622	50,8	75	36,5	72	M10	30	16,8	12	40,2	52	Type D	0,34	681952	
Eccentric collar shaft locking • Open unit																	
17	HCPA 203 C	696272	696632	47	70	30,2	62	M8	28	15,2	10	37,3	49	Type D	0,24	696162	
20	HCPA 204 C	696282	696642	50,8	70	33,2	65	M8	28	15,2	10	38,6	49	Type D	0,27	681962	
25	HCPA 205 C	696292	696652	50,8	75	36,5	72	M10	30	16,8	12	40,2	52	Type D	0,34	681972	

Item code for order = B0000 + Code

Packaging: 6 pieces.

 Best Seller

 Standard

 On request

Compact pillow block

UCPA - HCPA



Accessories

Material

PA FV polyamide housing

- Housing in reinforced polyamide PA FV resin (black)
- Ball type nickel plated brass greasing nipple
- Nickel plated brass threaded bushings.

PP FV polypropylene housing

- Housing in reinforced polypropylene PP FV resin (white)
- Ball type stainless steel AISI 316 greasing nipple
- Nickel plated brass threaded bushings.

- **Continuous operating temperature**
in air: - 20 to + 60°C.

- **Maximum allowed misalignment:** 2°.

Bearing

- Type B (grub screws shaft locking, chrome alloy steel, Superagriseal unit plus centrifuging ring)
- Type C (grub screws shaft locking, stainless steel AISI 420, Superagriseal unit plus rubberised centrifuging ring)
- Type A (grub screws shaft locking, chrome alloy steel, Superagriseal unit)
- Type D (eccentric collar shaft locking, chrome alloy steel, Superagriseal unit)
- Prelubricated with lithium / calcium grease
- Can be relubricated.

Grub screws or eccentric collar shaft locking

Version with bearing Type B

The double ring guarantees maximum protection against dust and non-corrosive substances.

Version with stainless steel bearing Type C

AISI 420 stainless steel bearing with 2 rubberised rings, provides excellent seal against humidity, steams, liquids, medium corrosive chemical agents. Maximum load ability is inferior.

Version with bearing Type A

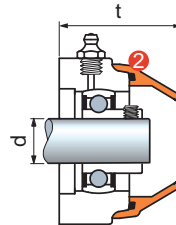
The rubberised ring guarantees maximum protection against dusts.

Material

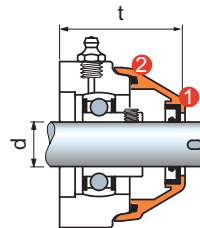
Polyamide PA FV guarantees maximum strength and high-temperature resistance. Polypropylene PP FV offers excellent resistance to chemical agents but inferior load ability.

Protection covers (accessories)

Closed cover



Open cover



- 1 Seals.
- 2 Seals O-Ring.

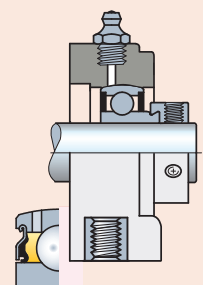
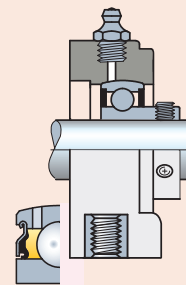
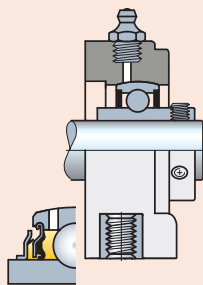
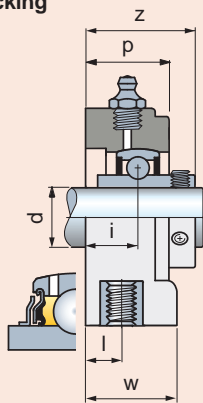
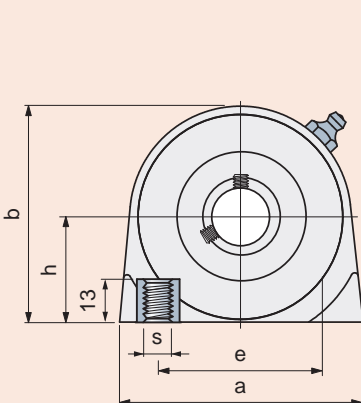
dia. d mm	Accessories Cover orange	t mm
	Code	
Closed cover supplied with seals		
17	681942	49
20	681942	49
25	681952	52
Open cover supplied with seals		
17	696162	49
20	681962	49
25	681972	52

• Series UCPA • Type B
Grub screws shaft
locking

• Series UCPA • Type C
Grub screws shaft
locking

• Series UCPA • Type A
Grub screws shaft
locking

• Series HCPA • Type D
Eccentric collar shaft
locking



dia. d mm	Series	Housing material		Dimensions in mm										Bearing	Weight Kg
		Polyamide PA FV Flange (black)	Polypropylene PP FV Flange (white)	e	a	h	b	s	w	i	l	z	p		
Grub screws shaft locking • Version with bearing Type B															
17	UCPA 203	696902	-	47	70	30,2	62	M8	28	15,2	10	31,1	27	Type B	0,21
20	UCPA 204	696912	-	50,8	70	33,2	65	M8	28	15,2	10	33,5	27	Type B	0,26
25	UCPA 205	696922	-	50,8	75	36,5	72	M10	30	16,8	12	36,5	30	Type B	0,30
Grub screws shaft locking • Version with stainless steel bearing Type C															
20	UCPA 204	696942	697002	50,8	70	33,2	65	M8	28	15,2	10	33,5	27	Type C	0,26
25	UCPA 205	696952	697012	50,8	75	36,5	72	M10	30	16,8	12	36,6	30	Type C	0,30
Grub screws shaft locking • Version with bearing Type A															
17	UCPA 203	696662	696842	47	70	30,2	62	M8	28	15,2	10	31,2	27	Type A	0,21
20	UCPA 204	696672	696852	50,8	70	33,2	65	M8	28	15,2	10	33,2	27	Type A	0,24
25	UCPA 205	696682	696862	50,8	75	36,5	72	M10	30	16,8	12	36,5	30	Type A	0,28
Eccentric collar shaft locking • Version with bearing Type D															
17	HCPA 203	696692	696872	47	70	30,2	62	M8	28	15,2	10	37,3	27	Type D	0,23
20	HCPA 204	696702	696882	50,8	70	33,2	65	M8	28	15,2	10	38,6	27	Type D	0,26
25	HCPA 205	696712	696892	50,8	75	36,5	72	M10	30	16,8	12	40,2	30	Type D	0,33

Item code for order = B0000 + Code

Packaging: 6 pieces.

 Best Seller

 Standard

 On request

Side flange bearing units

UCFB/C - HCFB/C



The picture shows
d. 20 - 25 version.

For other versions please
see the technical drawing.



Waterproof housing

Grub screws or eccentric collar shaft locking

PA FV polyamide housing

High mechanical and heat resistance. Proof to dust, humidity, washouts, steam, average aggressive chemical agents.

PP FV polypropylene housing

Proof to highly aggressive chemical agents. Inferior loading ability.

Solid flange bearings

They differ from standard flange versions for their closed surface structure, ideal for sanitation.

Material

PA FV polyamide housing

- Housing in reinforced polyamide PA FV resin (black)
- Protection cover in polypropylene PP (orange)
- Seal and O-Ring in NBR rubber (black)
- Ball type nickel plated brass greasing nipple
- Reinforcing bushings on mounting holes and washers in stainless steel AISI 304

PP FV polypropylene housing

- Housing in reinforced polypropylene PP FV resin (white)
- Protection cover in polypropylene PP (orange)
- Seal and O-Ring in NBR rubber (black).
On request supplied in Viton rubber (brown).
Viton material offers high resistance to chemical agents
- Ball type stainless steel AISI 316 greasing nipple
- Reinforcing bushings on mounting holes and washers in stainless steel AISI 316.

Continuous operating temperature

in air: - 20 to + 60°C.

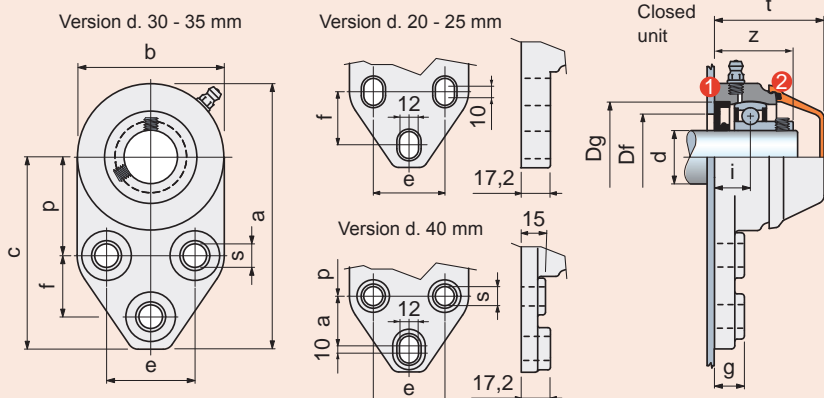
Maximum allowed misalignment: 2°.

Bearing

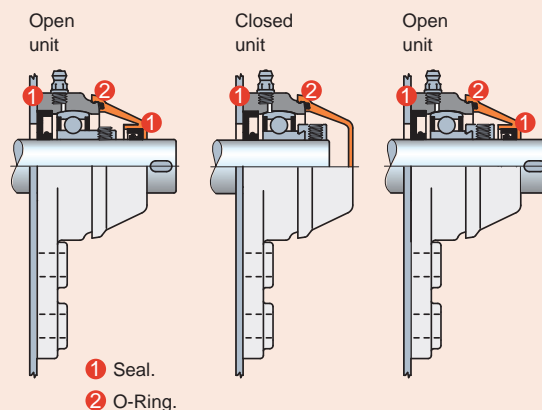


- Type A (grub screws shaft locking)
- Type D (eccentric collar shaft locking)
- Chrome alloy steel
- Superagriseal unit
- Prelubricated with lithium / calcium grease
- Can be relubricated.

• Series UCFB/C • Type A Grub screws shaft locking



• Series HCFB/C • Type D Eccentric collar shaft locking



dia. d mm	Series	Housing material		Dimensions in mm														Bore in frame ¹⁾ Df		Bearing	Weight Kg	Spare parts Cover orange Code
		Polyamide PA FV Standard Flange (black) Cover (orange)	Polypropylene PP FV Solid Flange (white) Cover (orange)	a	b	c	p	e	f	s	g	i	z	t	Dg	max.	min.					
		Code																				
Grub screws shaft locking • Closed unit																						
20	UCFB 204 C	601133N	601373N	124,2	68,8	89,8	46	41,3	28,6	11	14	16,4	34,4	49	47	45	40	Type A	0,26	681942		
25	UCFB 205 C	656542N	677832N	124,2	68,8	89,8	46	41,3	28,6	11	14	17,8	37,3	52	52	50	45	Type A	0,32	681952		
30	UCFB 206 C	656562	677842	138,6	81,3	97,9	52,4	47,6	31,7	11	14	20	42	55	62	60	50	Type A	0,47	63154		
35	UCFB 207 C	656582	677852	154,5	93,7	107,6	60,3	50,8	31,7	13	15	19,5	43	59	72	70	55	Type A	0,64	682022		
40	UCFB 208 C	601143	601383	164	100	114	60	50	31	13	-	22	47	66,5	80	78	65	Type A	0,84	600882		
Grub screws shaft locking • Open unit																						
20	UCFB 204 C	601153N	601393N	124,2	68,8	89,8	46	41,3	28,6	11	14	16,4	34,4	49	47	45	40	Type A	0,26	681962		
25	UCFB 205 C	656552N	677862N	124,2	68,8	89,8	46	41,3	28,6	11	14	17,8	37,3	52	52	50	45	Type A	0,32	681972		
30	UCFB 206 C	656572	677872	138,6	81,3	97,9	52,4	47,6	31,7	11	14	20	42	55	62	60	50	Type A	0,47	69965		
35	UCFB 207 C	656592	677882	154,5	93,7	107,6	60,3	50,8	31,7	13	15	19,5	43	59	72	70	55	Type A	0,64	682032		
40	UCFB 208 C	601163	601403	164	100	114	60	50	31	13	-	22	47	66,5	80	78	65	Type A	0,84	600892		
Eccentric collar shaft locking • Closed unit																						
20	HCFB 204 C	601173N	601413N	124,2	68,8	89,8	46	41,3	28,6	11	14	16,4	39,8	49	47	45	40	Type D	0,29	681942		
25	HCFB 205 C	663252N	677892N	124,2	68,8	89,8	46	41,3	28,6	11	14	17,8	41,2	57	52	50	45	Type D	0,35	681952		
30	HCFB 206 C	663262	677902	138,6	81,3	97,9	52,4	47,6	31,7	11	14	20	46,7	60	62	60	50	Type D	0,50	63154		
35	HCFB 207 C	663272	677912	154,5	93,7	107,6	60,3	50,8	31,7	13	15	19,5	48,9	64,5	72	70	55	Type D	0,67	682022		
40	HCFB 208 C	601183	601423	164	100	114	60	50	31	13	-	22	54,7	72	80	78	65	Type D	0,92	600882		
Eccentric collar shaft locking • Open unit																						
20	HCFB 204 C	601193N	601433N	124,2	68,8	89,8	46	41,3	28,6	11	14	16,4	39,8	49	47	45	40	Type D	0,29	681962		
25	HCFB 205 C	663282N	677922N	124,2	68,8	89,8	46	41,3	28,6	11	14	17,8	41,2	57	52	50	45	Type D	0,35	681972		
30	HCFB 206 C	663292	677932	138,6	81,3	97,9	52,4	47,6	31,7	11	14	20	46,7	60	62	60	50	Type D	0,50	69965		
35	HCFB 207 C	663302	677942	154,5	93,7	107,6	60,3	50,8	31,7	13	15	19,5	48,9	64,5	72	70	55	Type D	0,67	682032		
40	HCFB 208 C	601203	601443	164	100	114	60	50	31	13	-	22	54,7	72	80	78	65	Type D	0,92	600892		

Item code for order = B0000 + Code

¹⁾ = Dimensions Df max / Df min must be respected to ensure positive retention of the seals and to allow air bleeding during lubrication.

Packaging: 6 pieces.

Side flange bearing units

UCFB - HCFB



The picture shows
d. 20 - 25 version.

For other versions please
see the technical drawing.



Accessories

Material

PA FV polyamide housing

- Housing in reinforced polyamide PA FV resin (black)
- Ball type nickel plated brass greasing nipple
- Reinforcing bushings on mounting holes in stainless steel AISI 304.

PP FV polypropylene housing

- Housing in reinforced polypropylene PP FV resin (white)
- Bearing in stainless steel AISI 420
- Ball type stainless steel AISI 316 greasing nipple
- Reinforcing bushings on mounting holes in stainless steel AISI 316.

Continuous operating temperature

in air: - 20 to + 60°C.

Maximum allowed misalignment: 2°.

Bearing

- Type B (grub screws shaft locking, chrome alloy steel, Superagriseal unit plus centrifuging ring)
- Type C (grub screws shaft locking, stainless steel AISI 420, Superagriseal unit plus rubberised centrifuging ring)
- Type A (grub screws shaft locking, chrome alloy steel, Superagriseal unit)
- Type D (eccentric collar shaft locking, chrome alloy steel, Superagriseal unit)
- Prelubricated with lithium / calcium grease
- Can be relubricated.

Grub screws or eccentric collar shaft locking

Version with bearing Type B

The double ring guarantees maximum protection against dust and non-corrosive substances.

Version with stainless steel bearing Type C

AISI 420 stainless steel bearing with 2 rubberised rings, provides excellent seal against humidity, steams, liquids, medium corrosive chemical agents. Maximum load ability is inferior.

Version with bearing Type A

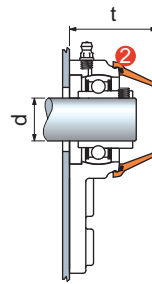
The rubberised ring guarantees maximum protection against dusts.

Material

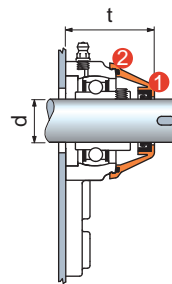
Polyamide PA FV guarantees maximum strength and high-temperature resistance. Polypropylene PP FV offers excellent resistance to chemical agents but inferior load ability.

Protection covers (accessories)

Closed cover



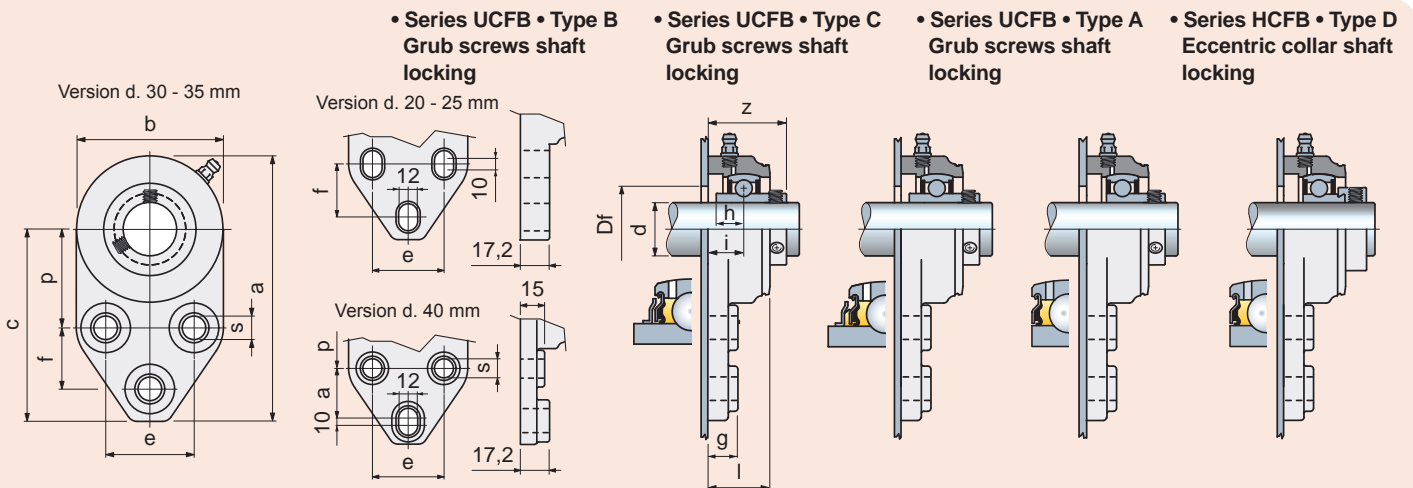
Open cover



1 Seals.

2 Seals O-Ring.

dia. d mm	Accessories	t mm	
	Cover orange Code	UCFL	HCFL
Closed cover supplied with seals			
20	681942	49	49
25	681952	52	57
30	63154	55	60
35	682022	59	64,5
40	600882	66,5	72
Open cover supplied with seals			
20	681962	49	49
25	681972	52	57
30	69965	55	60
35	682032	59	64,5
40	600892	66,5	72



dia. d mm	Series	Housing material		Dimensions in mm													Bore in frame Df mm	Bearing	Weight Kg
		Polyamide PA FV Solid Flange (black) Code	Polypropylene PP FV Solid Flange (white)	a	b	c	p	e	f	s	g	i	h	l	z				
Grub screws shaft locking • Version with bearing Type B																			
20	UCFB 204	601613N	-	124,2	68,8	89,8	46	41,3	28,6	11	14	16,4	12,7	28,3	34,7	24	Type B	0,26	
25	UCFB 205	663912N	-	124,2	68,8	89,8	46	41,3	28,6	11	14	17,8	14,3	29	37,5	29	Type B	0,33	
30	UCFB 206	663922	-	138,6	81,3	97,9	52,4	47,6	31,7	11	14	20	15,9	31,5	42,2	34	Type B	0,50	
35	UCFB 207	663932	-	154,5	93,7	107,6	60,3	50,8	31,7	13	15	19,5	17,5	32	44,9	39	Type B	0,72	
40	UCFB 208	601623	-	164	100	114	60	50	31	13	-	22	19	36	52,2	44	Type B	0,84	
Grub screws shaft locking • Version with stainless steel bearing Type C																			
20	UCFB 204	601633N	601673N	124,2	68,8	89,8	46	41,3	28,6	11	14	16,4	12,7	28,3	34,7	24	Type C	0,26	
25	UCFB 205	663942N	665982N	124,2	68,8	89,8	46	41,3	28,6	11	14	17,8	14,3	29	37,6	29	Type C	0,33	
30	UCFB 206	663952	665992	138,6	81,3	97,9	52,4	47,6	31,7	11	14	20	15,9	31,5	42,2	34	Type C	0,50	
35	UCFB 207	663962	666002	154,5	93,7	107,6	60,3	50,8	31,7	13	15	19,5	17,5	32	44,9	39	Type C	0,72	
40	UCFB 208	601643	601683	164	100	114	60	50	31	13	-	22	19	36	52,2	44	Type C	0,84	
Grub screws shaft locking • Version with bearing Type A																			
20	UCFB 204	601453N	601573N	124,2	68,8	89,8	46	41,3	28,6	11	14	16,4	-	28,3	34,4	24	Type A	0,26	
25	UCFB 205	663672N	663852N	124,2	68,8	89,8	46	41,3	28,6	11	14	17,8	-	29	37,3	29	Type A	0,30	
30	UCFB 206	663682	663862	138,6	81,3	97,9	52,4	47,6	31,7	11	14	20	-	31,5	42	34	Type A	0,45	
35	UCFB 207	663692	663872	154,5	93,7	107,6	60,3	50,8	31,7	13	15	19,5	-	32	43	39	Type A	0,62	
40	UCFB 208	601463	601583	164	100	114	60	50	31	13	-	22	-	36	47	44	Type A	0,84	
Eccentric collar shaft locking • Version with bearing Type D																			
20	HCFB 204	601473N	601593N	124,2	68,8	89,8	46	41,3	28,6	11	14	16,4	-	28,3	39,8	24	Type D	0,29	
25	HCFB 205	663702N	663882N	124,2	68,8	89,8	46	41,3	28,6	11	14	17,8	-	34	41,2	29	Type D	0,33	
30	HCFB 206	663712	663892	138,6	81,3	97,9	52,4	47,6	31,7	11	14	20	-	36,5	46,7	34	Type D	0,48	
35	HCFB 207	663722	663902	154,5	93,7	107,6	60,3	50,8	31,7	13	15	19,5	-	38	48,9	39	Type D	0,65	
40	HCFB 208	601483	601603	164	100	114	60	50	31	13	-	22	-	36	54,7	44	Type D	0,92	

Item code for order = B0000 + Code

Packaging: 6 pieces.

Take-up bearing units

UCT/C - HCT/C



Waterproof housing

Grub screws or eccentric collar shaft locking

PA FV polyamide housing

High mechanical and heat resistance. Proof to dust, humidity, washouts, steam, average aggressive chemical agents.

PP FV polypropylene housing

Proof to highly aggressive chemical agents. Inferior loading ability.

Material

PA FV polyamide housing

- Housing in reinforced polyamide PA FV resin (black)
- Protection cover in polypropylene PP (orange)
- Seal and O-Ring in NBR rubber (black)
- Ball type nickel plated brass greasing nipple
- Threaded insert in nickel plated brass.

PP FV polypropylene housing

- Housing in reinforced polypropylene PP FV resin (white)
- Protection cover in polypropylene PP (orange)
- Seal and O-Ring in NBR rubber (black).
On request supplied in Viton rubber (brown).
Viton material offers high resistance to chemical agents
- Ball type stainless steel AISI 316 greasing nipple
- Threaded insert in nickel plated brass.

Continuous operating temperature

in air: - 20 to + 60°C.

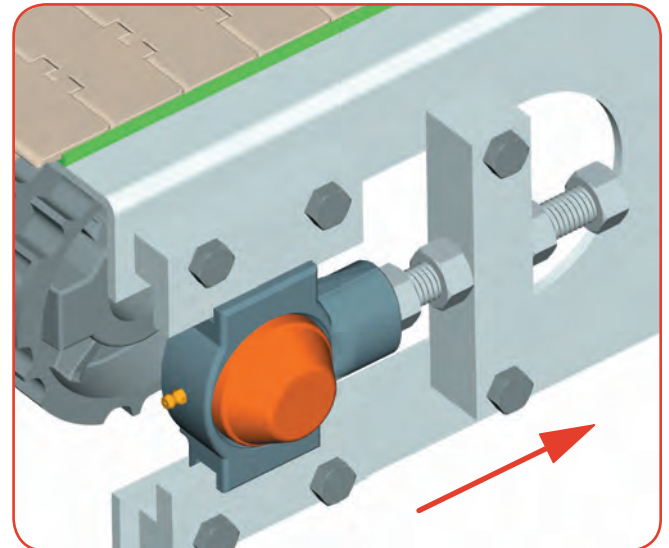
Maximum allowed misalignment: 2°.

Bearing



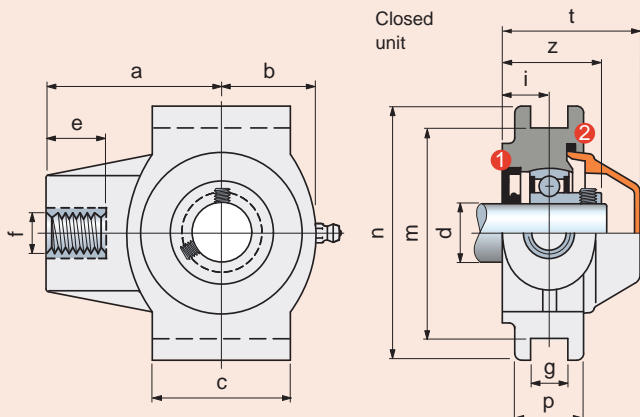
- Type A (grub screws shaft locking)
- Type A (eccentric collar shaft locking)
- Chrome alloy steel
- Superagriseal unit
- Prelubricated with lithium / calcium grease
- Can be relubricated.

Assembly

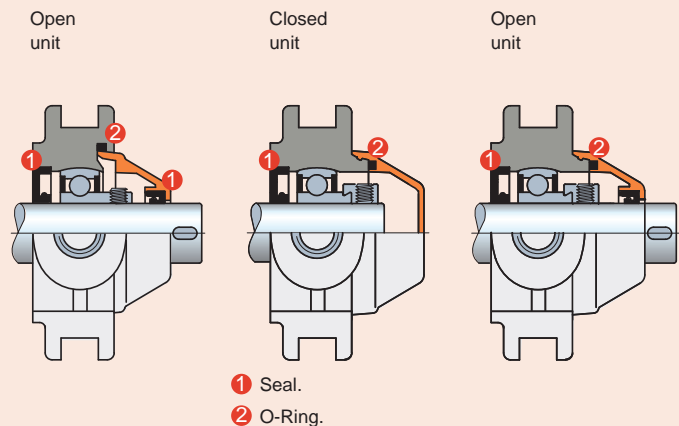


Working load allowed only in this direction.

• Series UCT/C • Type A Grub screws shaft locking



• Series HCT/C • Type D Eccentric collar shaft locking



- 1 Seal.
- 2 O-Ring.

dia. d mm	Series	Housing material		Dimensions in mm													Bearing	Weight Kg	Spare parts
		Polyamide PA FV Flange (black) Cover (orange)	Polypropylene PP FV Flange (white) Cover (orange)	a	b	c	e	f	g	i	m	n	p	z	t	Code			
Grub screws shaft locking • Closed unit																			
20	UCT 204 C	666952	677592	63,5	34	50	28	M16	13,5	17	76,2	92	25	35	50	Type A	0,33	681862	
25	UCT 205 C	666962	677602	68,5	39,5	50	28	M20	13,5	17	76,2	92	25	36,5	52	Type A	0,39	681872	
30	UCT 206 C	666972	677612	77	48	57	28	M24	13,5	18,5	89	104	28	40,5	55	Type A	0,50	667812	
Grub screws shaft locking • Open unit																			
20	UCT 204 C	666982	677622	63,5	34	50	28	M16	13,5	17	76,2	92	25	35	50	Type A	0,33	681882	
25	UCT 205 C	666992	677632	68,5	39,5	50	28	M20	13,5	17	76,2	92	25	36,5	52	Type A	0,39	681892	
30	UCT 206 C	667002	677642	77	48	57	28	M24	13,5	18,5	89	104	28	40,5	55	Type A	0,50	667932	
Eccentric collar shaft locking • Closed unit																			
20	HCT 204 C	667012	677652	63,5	34	50	28	M16	13,5	17	76,2	92	25	40,4	57	Type D	0,36	681942	
25	HCT 205 C	667022	677662	68,5	39,5	50	28	M20	13,5	17	76,2	92	25	40,4	58	Type D	0,42	681952	
30	HCT 206 C	667032	677672	77	48	57	28	M24	13,5	18,5	89	104	28	45,2	62	Type D	0,53	63154	
Eccentric collar shaft locking • Open unit																			
20	HCT 204 C	667042	677682	63,5	34	50	28	M16	13,5	17	76,2	92	25	40,4	57	Type D	0,36	681962	
25	HCT 205 C	667052	677692	68,5	39,5	50	28	M20	13,5	17	76,2	92	25	40,4	58	Type D	0,42	681972	
30	HCT 206 C	667062	677702	77	48	57	28	M24	13,5	18,5	89	104	28	45,2	62	Type D	0,53	69965	

Item code for order = B0000 + Code

Packaging: 6 pieces.

 Best Seller

 Standard

 On request

Take-up bearing units

UCT - HCT



Accessories

Material

PA FV polyamide housing

- Housing in reinforced polyamide PA FV resin (black)
- Ball type nickel plated brass greasing nipple
- Threaded insert in nickel plated brass.

PP FV polypropylene housing

- Housing in reinforced polypropylene PP FV resin (white)
- Bearing in stainless steel AISI 420
- Ball type stainless steel AISI 316 greasing nipple
- Threaded insert in nickel plated brass.

Continuous operating temperature

in air: - 20 to + 60°C.

Maximum allowed misalignment: 2°.

Bearing

- Type B (grub screws shaft locking, chrome alloy steel, Superagriseal unit plus centrifuging ring)
- Type C (grub screws shaft locking, stainless steel AISI 420, Superagriseal unit plus rubberised centrifuging ring)
- Type A (grub screws shaft locking, chrome alloy steel, Superagriseal unit)
- Type D (eccentric collar shaft locking, chrome alloy steel, Superagriseal unit)
- Prelubricated with lithium / calcium grease
- Can be relubricated.

Grub screws or eccentric collar shaft locking

Version with bearing YAR 2F

The double ring guarantees maximum protection against dust and non-corrosive substances.

Version with stainless steel bearing YAR 2RF

AISI 420 stainless steel bearing with 2 rubberised rings, provides excellent seal against humidity, steams, liquids, medium corrosive chemical agents. Maximum load ability is inferior.

Version with bearing YAT

The rubberised ring guarantees maximum protection against dusts.

Material

Polyamide PA FV guarantees maximum strength and high-temperature resistance. Polypropylene PP FV offers excellent resistance to chemical agents but inferior load ability.

Protection covers (accessories)

dia. d mm	Accessories	
	Cover orange	t mm
	Code	UCFL HCFL

Serie UCT Closed cover supplied with seals			
20	681862	50	-
25	681872	52	-
30	667812	55	-

Serie UCT Open cover supplied with seals			
20	681882	50	-
25	681892	52	-
30	667932	55	-

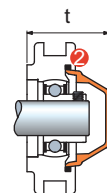
Serie HCT Closed cover supplied with seals			
20	681942	-	57
25	681952	-	58
30	63154	-	62

Serie HCT Open cover supplied with seals			
20	681962	-	57
25	681972	-	58
30	69965	-	62

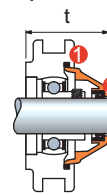
① Seals.

② Seals O-Ring.

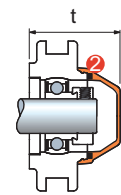
Series UCT
Closed cover



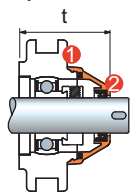
Series UCT
Open cover



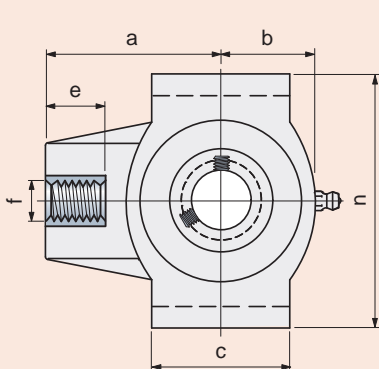
Series HCT
Closed cover



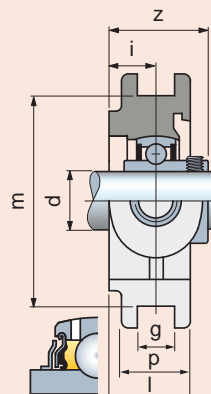
Series HCT
Open cover



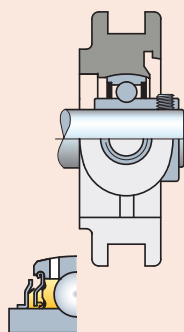
• Series UCT • Type B
Grub screws shaft
locking



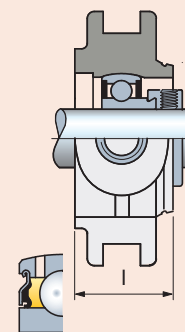
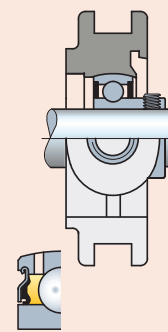
• Series UCT • Type C
Grub screws shaft
locking



• Series UCT • Type A
Grub screws shaft
locking



• Series HCT • Type D
Eccentric collar shaft
locking

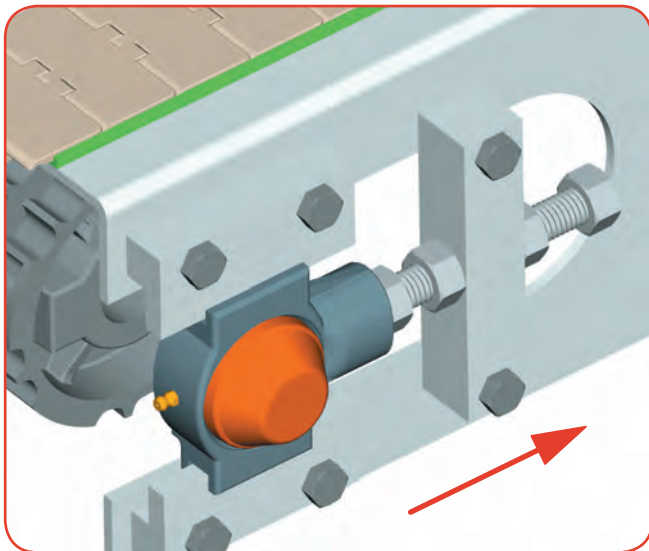


dia. d mm	Series	Housing material		Dimensions in mm													Bearing	Weight Kg
		Polyamide PA FV Flange (black)	Polypropylene PP FV Flange (white)	a	b	c	e	f	g	i	l	m	n	p	z			
Grub screws shaft locking • Version with bearing Type B																		
20	UCT 204	667672	-	63,5	34	50	28	M16	13,5	17	29,5	76,2	92	25	35,3	Type B	0,31	
25	UCT 205	667682	-	68,5	39,5	50	28	M20	13,5	17	29,5	76,2	92	25	36,7	Type B	0,37	
30	UCT 206	667692	-	77	48	57	28	M24	13,5	18,5	32,5	89	104	28	40,7	Type B	0,48	
Grub screws shaft locking • Version with stainless steel bearing Type C																		
20	UCT 204	667702	667762	63,5	34	50	28	M16	13,5	17	29,5	76,2	92	25	35,3	Type C	0,31	
25	UCT 205	667712	667772	68,5	39,5	50	28	M20	13,5	17	29,5	76,2	92	25	36,8	Type C	0,37	
30	UCT 206	667722	667782	77	48	57	28	M24	13,5	18,5	32,5	89	104	28	40,7	Type C	0,48	
Grub screws shaft locking • Version with bearing Type A																		
20	UCT 204	667432	667522	63,5	34	50	28	M16	13,5	17	29,5	76,2	92	25	35	Type A	0,31	
25	UCT 205	667442	667532	68,5	39,5	50	28	M20	13,5	17	29,5	76,2	92	25	36,5	Type A	0,37	
30	UCT 206	667452	667542	77	48	57	28	M24	13,5	18,5	32,5	89	104	28	40,5	Type A	0,48	
Eccentric collar shaft locking • Version with bearing Type D																		
20	HCT 204	667552	667642	63,5	34	50	28	M16	13,5	17	35,5	76,2	92	25	40,4	Type D	0,34	
25	HCT 205	667562	667652	68,5	39,5	50	28	M20	13,5	17	35,5	76,2	92	25	40,4	Type D	0,40	
30	HCT 206	667572	667662	77	48	57	28	M24	13,5	18,5	38,5	89	104	28	45,2	Type D	0,51	

Item code for order = B0000 + Code

Packaging: 6 pieces.

Assembly



Working load allowed only in this direction.

● Best Seller

● Standard

● On request

Round flange bearing units

UCFC/C



Waterproof housing

Grub screws shaft locking

PA FV polyamide housing

High mechanical and heat resistance. Proof to dust, humidity, washouts, steam, average aggressive chemical agents.

PP FV polypropylene housing

Proof to highly aggressive chemical agents. Inferior loading ability.

Material

PA FV polyamide housing

- Housing in reinforced polyamide PA FV resin (black)
- Protection cover in polypropylene PP (orange)
- Seal and O-Ring in NBR rubber (black)
- Ball type nickel plated brass greasing nipple
- Reinforcing bushings on mounting holes and washers in stainless steel AISI 304

PP FV polypropylene housing

- Housing in reinforced polypropylene PP FV resin (black)
- Protection cover in polypropylene PP (orange)
- Seal and O-Ring in NBR rubber (black).
- On request supplied in Viton rubber (brown).
Viton material offers high resistance to chemical agents
- Ball type stainless steel AISI 316 greasing nipple
- Reinforcing bushings on mounting holes and washers in stainless steel AISI 316.

Continuous operating temperature

in air: - 20 to + 60°C.

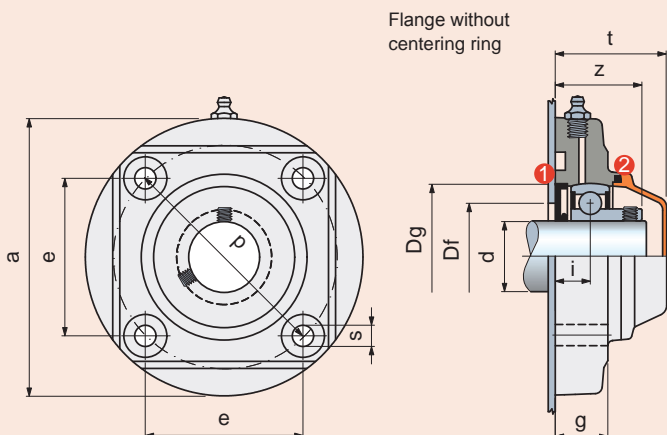
Maximum allowed misalignment: 2°.

Bearing

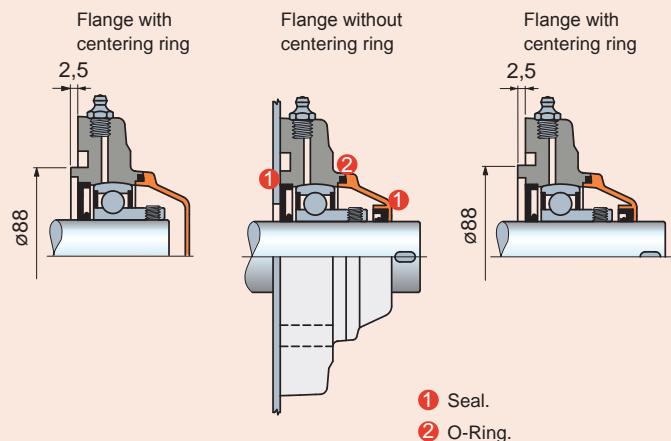


- Type A (grub screws shaft locking)
- Type D (eccentric collar shaft locking)
- Chrome alloy steel
- Superagriseal unit
- Prelubricated with lithium / calcium grease
- Can be relubricated.

• Closed unit



• Open unit



dia. d mm	Flange	Series	Housing material		Dimensions in mm										Bore in frame ¹⁾ Df		Bearing	Weight Kg	Spare parts Cover orange
			Polyamide PA FV Standard Flange (black) Cover (orange)	Polypropylene PP FV Standard Flange (black) Cover (orange)	e	a	p	s	g	i	z	t	Dg	max.	min.	Code			
Closed unit																			
35	Without centering ring	UCFC 207 C	683921	681802	77,8	137	110	11	26	17,3	40,8	55	72	70	55	Type A	0,75	603772	
	With centering ring	UCFC 207 C	624772	-	77,8	137	110	11	26	17,3	40,8	55	72	-	-	Type A	0,75	603772	
Open unit																			
35	Without centering ring	UCFC 207 C	683931	681812	77,8	137	110	11	26	17,3	40,8	55	72	70	55	Type A	0,75	603792	
	With centering ring	UCFC 207 C	624782	-	77,8	137	110	11	26	17,3	40,8	55	72	-	-	Type A	0,75	603792	

Item code for order = B0000 + Code

¹⁾ = Dimensions Df max / Df min must be respected to ensure positive retention of the seals and to allow air bleeding during lubrication.

Packaging: 6 pieces.

● Best Seller

● Standard

● On request

Round flange bearing units

UCFC



Accessories

- **Material**
PA FV polyamide housing
 - Housing in reinforced polyamide PA FV resin (black)
 - Ball type nickel plated brass greasing nipple
 - Reinforcing bushings on mounting holes and washers in stainless steel AISI 304.
- **Continuous operating temperature**
 in air: - 20 to + 60°C.
- **Maximum allowed misalignment:** 2°.
- **Bearing**
 - Type B (grub screws shaft locking, chrome alloy steel, Superagriseal unit plus centrifuging ring)
 - Type C (grub screws shaft locking, stainless steel AISI 420, Superagriseal unit plus rubberised centrifuging ring)
 - Type A (grub screws shaft locking, chrome alloy steel, Superagriseal unit)
 - Prelubricated with lithium / calcium grease
 - Can be relubricated.

Grub screws shaft locking

Version with bearing Type B

The double ring guarantees maximum protection against dust and non-corrosive substances.

Version with stainless steel bearing Type C

AISI 420 stainless steel bearing with 2 rubberised rings, provides excellent seal against humidity, steams, liquids, medium corrosive chemical agents. Maximum load ability is inferior.

Version with bearing Type A

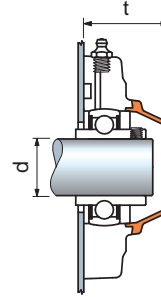
The rubberised ring guarantees maximum protection against dusts.

Material

Polyamide PA FV guarantees maximum strength and high-temperature resistance.

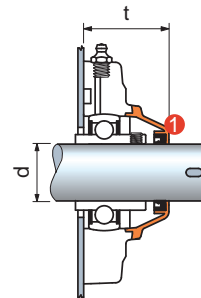
Protection covers (accessories)

Closed cover



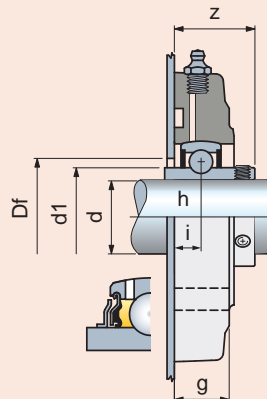
dia. d mm	Accessories	t mm
	Cover orange Code	
Closed cover supplied without seals		
35	63232	50
Open cover supplied with seals		
35	604042	50

Open cover

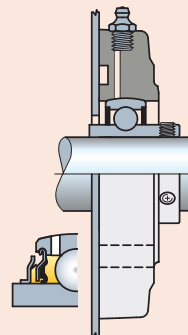


1 Seals.

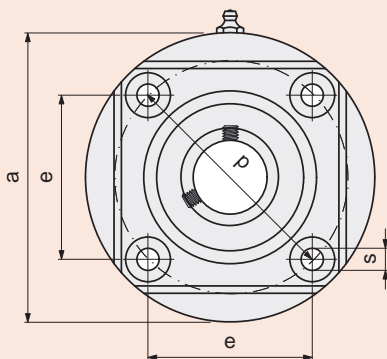
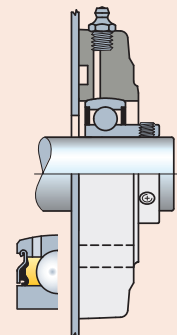
Version with bearing **Type B**



Version with bearing **Type C**



Version with bearing **Type A**



dia. d mm	Series	Housing material		Dimensions in mm									Bore in frame Df mm	Bearing	Weight Kg
		Polyamide PA FV Standard Flange (black)	Code	e	a	p	s	g	i	h	z	d1			
Version with bearing Type B															
35	UCFC 207	60752	77,8	137	110	11	26	12,3	17,5	37,7	46,1	50	Type B	0,75	
Version with stainless steel bearing Type C															
35	UCFC 207	646652	77,8	137	110	11	26	12,3	17,5	37,7	46,1	50	Type C	0,75	
Version with bearing Type A															
35	UCFC 207	681822	77,8	137	110	11	26	17,3	17,5	40,8	46,1	50	Type A	0,75	

Item code for order = B0000 + Code

Packaging: 6 pieces.

 Best Seller

 Standard

 On request

Round flange bearing units

FC



Waterproof housing

Shaft shoulders locking

High axial load capacity.

PA FV polyamide housing

High mechanical and heat resistance. Proof to dust, humidity, washouts, steam, average aggressive chemical agents.

PP FV polypropylene housing

Proof to highly aggressive chemical agents. Inferior loading ability.

Material

PA FV polyamide housing

- Housing in reinforced polyamide PA FV resin (black)
- Seal and O-Ring in NBR rubber (black)
- Ball type nickel plated brass greasing nipple
- Reinforcing bushings on mounting holes and washers in stainless steel AISI 304.

PP FV polypropylene housing

- Housing in reinforced polypropylene PP FV resin (black)
- Seal and O-Ring in NBR rubber (black).
- On request supplied in Viton rubber (brown).
- Viton material offers high resistance to chemical agents.
- Ball type stainless steel AISI 316 greasing nipple
- Reinforcing bushings on mounting holes and washers in stainless steel AISI 316.

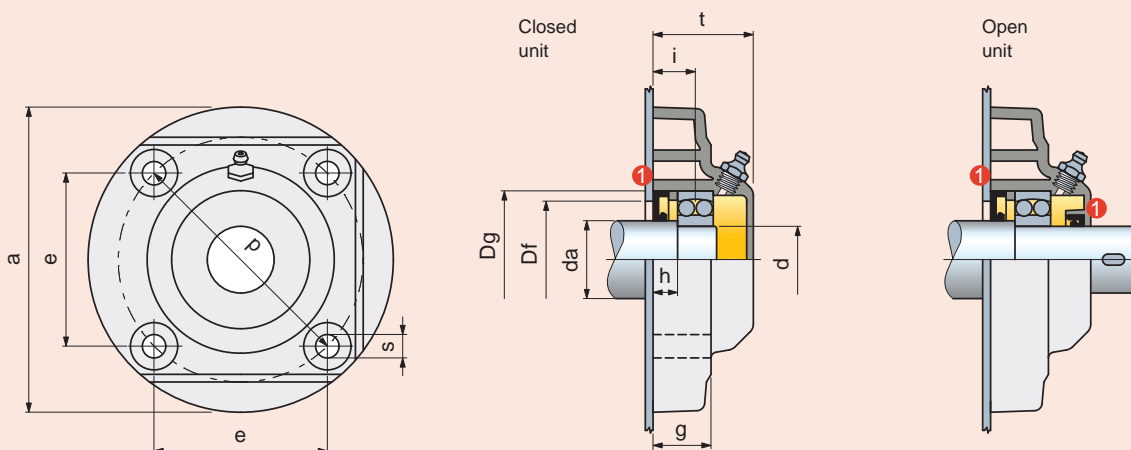
Continuous operating temperature

in air: - 20 to + 60°C.

Maximum allowed misalignment: 2°.

Bearing

- Type 1200 self aligning ball bearing
- Chrome alloy steel
- Supplied without grease
- To be prelubricated with lithium / calcium grease during first installation.



1 Seal.

Shaft dia. da mm	Bearing dia. d mm	Series	Housing material		Dimensions in mm										Bore in frame ¹⁾ Df		Bearing	Weight Kg
			Polyamide PA FV Standard Flange (black)	Polypropylene PP FV Standard Flange (black)	e	a	p	s	g	i	h	t	Dg	max.	min.			
Closed unit																		
35	30	FC 1206	65801	681842	77,8	137	110	11	26	19	11	45	62	60	52	Type 1200	0,57	
Open unit																		
35	30	FC 1206	65891	681852	77,8	137	110	11	26	19	11	45	62	60	52	Type 1200	0,57	

Item code for order = B0000 + Code

¹⁾ = Dimensions Df max / Df min must be respected to ensure positive retention of the seals and to allow air bleeding during lubrication.

Packaging: 6 pieces.

 Best Seller

 Standard

 On request

Round flange bearing units

SBF



Stainless steel AISI 304 flange

Stainless steel bearing Type C

AISI 420 stainless steel bearing with 2 rubberised rings, provides excellent seal against humidity, steams, liquids, medium corrosive chemical agents.

Load capacity

The pressed steel flanged support is suitable for light duties.

Material

Pressed stainless steel AISI 304 flanges.

Continuous operating temperature

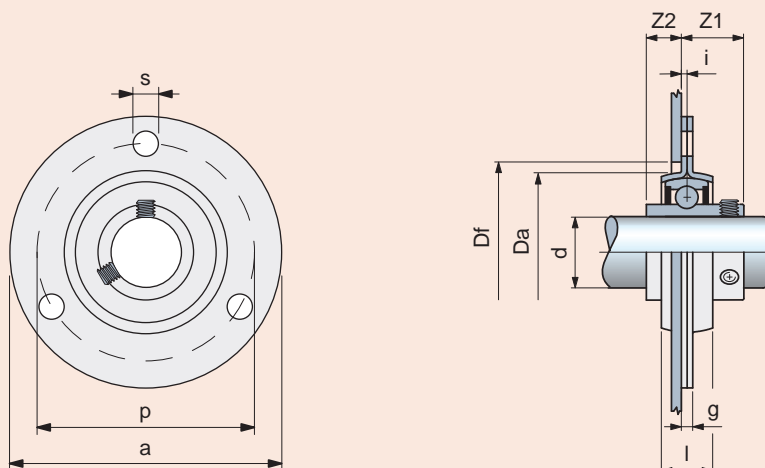
in air: - 20 to + 60°C.

Maximum allowed misalignment: 5°.

Bearing



- Type C (grub screws shaft locking)
- stainless steel AISI 420
- Superagriseal unit plus rubberised centrifuging ring
- Prelubricated with lithium / calcium grease
- Can be relubricated.



dia. d mm	Series	Housing material		Dimensions in mm									Bore in frame Df mm	Bearing	Weight Kg
		Stainless Steel AISI 304	Code	p	a	s	g	i	l	Z1	Z2	Da			
35	SBF 205	604562	76	95	8,7	4	2	18	21,8	12,3	56	60	Type C	0,35	

Item code for order = B0000 + Code

Packaging: 4 pieces.

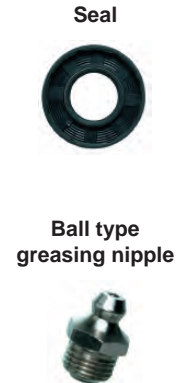
 Best Seller

 Standard

 On request

Spare parts

UCF/C - SUCF/C - HCF/C - SHCF/C - UCF/CL - SUCF/CL - HCF/CL - SHCF/CL - UCF - SUCF - HCF - SHCF - UCFS/C - SUCFS/C - HCFS/C - SHCFS/C - UCFL/C
SUCFL/C - HCFL/C - SHCFL/C - UCFL/CL - SUCFL/CL - HCFL/CL - SHCFL/CL - UCFL - SUCFL - HCFL - SHCFL - UCFLS/C - SUCFLS/C - HCFLS/C - SHCFLS/C



dia. d mm	Housing material	
	Polyamide PA FV Standard Flange (black)	Polypropylene PP FV Solid Flange (white)
	Code	
Seal		
17	696152	696152
20	632151	632151
25	608941	608941
30	68416	68416
35	641111	641111
40	632141	632141
40*	603622	603622
45*	686832	686832
50*	686842	686842
Ball type greasing nipple		
	64437	63617

* = Version with special fixing holes.
Material: seal in NBR rubber (black).
Ball type nickel plated brass greasing nipple for PA FV version, ball type stainless steel AISI 316 for PP FV version.

F - SF - FL - FC



dia. d mm	Housing material	
	Polyamide PA FV Standard Flange (black)	Polypropylene PP FV Standard Flange (black)
	Code	
Seal		
25	603642	603642
30	603662	603662
35	603682	603682
40	603702	603702
45	603722	603722
45*	603742	603742
Ball type greasing nipple		
	64437	63617

* = Version with special fixing holes.
Material: seal in NBR rubber (black).
Ball type nickel plated brass greasing nipple for PA FV version, ball type stainless steel AISI 316 for PP FV version.

SUCFN/T - SHCFN/T - SUCFN/TL - SHCFN/TL - UCFN/C - SUCFN/C - HCFN/C - SHCFN/C - UCFN/CL - SUCFN/CL - HCFLN/CL - SHCFN/CL - UCFN - SUCFN
HCFN - SHCFN - UCFX/T - SUCFX/T - HCFX/T - SHCFX/T - UCFLN/C - SUCFLN/C - HCFLN/C - SHCFN/C - UCFLN/CL - SUCFLN/CL - HCFLN/CL - SHCFN/CL
UCFLN - SUCFLN - HCFLN - SHCFN - UCPA/C - HCPA/C - UCPA - HCPA - UCFC/B - HCFC/B - UCFC - HCFC - UCT/C - HCT/C - UCT - HCT



dia. d mm	Housing material	
	Polyamide PA FV Standard Flange (black)	Polypropylene PP FV Solid Flange (white)
	Code	
Seal		
17	696152	696152
20	632151	632151
25	608941	608941
30	68416	68416
35	641111	641111
40	632141	632141
Ball type greasing nipple		
	665422	63617

Material: seal in NBR rubber (black).
Ball type nickel plated brass greasing nipple for PA FV version, ball type stainless steel AISI 316 for PP FV version.

Technical information

Bearing unit max. static load

B68

Bearings

- Bearings with grub screw locking system B72
- Bearings with self locking eccentric collar B72
- Seals B73
- Maximum velocities B73
- Axial load capacities B73
- Self aligning ball bearings, holding by shoulders on shaft B73

Calculation data

- Definition of bearing dimensions B74
- Calculation method for self-aligning bearings B74
- Life B74
- Life expectation calculation B74
- Equivalent dynamic load calculation B75
- Static load capacity control B76
- Equivalent static load calculation B76

Lubrication

- Prelubrication B77
- Lubrication grease B77
- Relubrication B77
- Relubrication intervals B77

Grease life in bearings lubricated for life

- Formula to calculate grease life B78
- Diagram 1 grease nominal life B78
- Diagram 2 correction factor B79
- Example of calculation B79

Shaft tolerances

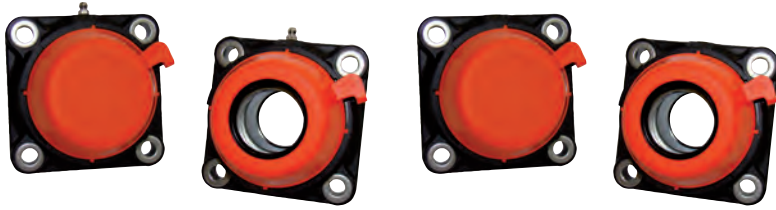
- Shaft tolerances for bearings with grub screws or eccentric collar locking system B80
- Shaft tolerances for bearings with shoulders type holding system B80



Mounting

- Mounting recommendations B81
- Bearing locking by grub screws B81
- Bearing locking by eccentric collar B81
- Installation/removal of covers B81

Bearing unit max. static load

SUCFN/T - SHCFN/T - SUCFN/TL - SHCFN/TL





Shaft dia. d mm				
	PA FV N	PP FV N	PA FV N	PP FV N
30	19550	13800	20700	11500
35*	19550	13800	20700	11500
40*	19550	13800	20700	11500

* = Version with special fixing holes

UCFN/C - SUCFN/C - HCFN/C - SHCFN/C - UCFU/CL - SUCFU/CL
HCFU/CL - SHCFU/CL - UCFN - SUCFN - HCFN - SHCFN





Shaft dia. d mm				
	PA FV N	PP FV N	PA FV N	PP FV N
30	19550	13800	20700	11500
35*	19550	13800	20700	11500
40*	19550	13800	20700	11500

* = Version with special fixing holes

UCF/C - SUCF/C - HCF/C - SHCF/C - UCF/CL - SUCF/CL
HCF/CL - SHCF/CL - UCF - SUCF - HCF - SHCF





Shaft dia. d mm				
	PA FV N	PP FV N	PA FV N	PP FV N
25	19550	13800	20700	11500
30	19550	13800	20700	11500
35	20700	13800	25300	13800
35*	19550	13800	20700	11500
40	20700	14375	25300	13800
40*	19550	13800	20700	11500
45*	32000	24000	35000	26000
50*	32000	24000	35000	26000

* = Version with special fixing holes

UCFS/C - SUCFS/C - HCFS/C - SHCFS/C






Shaft dia. d mm				
	PA FV N	PP FV N	PA FV N	PP FV N
30	20700	25300		
35*	20700	25300		
40*	20700	25300		

* = Version with special fixing holes

F - SF



Shaft dia. d mm						
	PA FV N	PP FV N	PA FV N	PP FV N	PA FV N	PP FV N
30	21850	16100	17250	13800	8050	5750
35	21850	16100	17250	13800	18400	10350
40	21850	17250	17250	13800	19550	13800
40*	21850	16100	17250	13800	18400	10350
45	23000	17250	18400	14350	19550	13800
45*	21850	16100	17250	13800	18400	10350

* = Version with special fixing holes

Bearing unit max. static load

UCFLN/C - SUCFLN/C - HCFLN/C - SHCFLN/C
 UCFLN/CL - SUCFLN/CL - HCFLN/CL - SHCFLN/CL



Shaft dia. d mm				
	PA FV N	PP FV N	PA FV N	PP FV N
17	9775	6325	9775	6900
20*	9775	6325	9775	6900
25*	10925	7475	11500	7475
30	14950	9200	14375	11500
30*	14950	9200	14375	11500

* = Version with special fixing holes

UCFLN - SUCFLN - HCFLN - SHCFLN



Shaft dia. d mm				
	PA FV N	PP FV N	PA FV N	PP FV N
17	9775	6325	9775	6900
20*	9775	6325	9775	6900
25*	10925	7475	11500	7475
30	14950	9200	14375	11500
30*	14950	9200	14375	11500

* = Version with special fixing holes

UCFL/C - SUCFL/C - HCFL/C - SHCFL/C - UCFL/CL - SUCFL/CL
 HCFL/CL - SHCFL/CL - UCFL - SUCFL - HCFL - SHCFL



Shaft dia. d mm				
	PA FV N	PP FV N	PA FV N	PP FV N
17	9775	6325	9775	6900
20	9775	6325	9775	6900
25	10925	7475	11500	7475
25*	10925	7475	11500	7475
30	14950	9200	14375	11500
30*	14950	9200	14375	11500
35	14950	9200	13225	10925
35*	14950	9200	14375	11500
40	14950	9775	14950	10925
40*	14950	9200	14375	11500

* = Version with special fixing holes

UCFLS/C - SUCFLS/C - HCFLS/C - SHCFLS/C



Shaft dia. d mm				
	PA FV N	PP FV N	PA FV N	PP FV N
30	14950	14375		
35*	14950	13225		
40*	14950	14950		

* = Version with special fixing holes

FL




Shaft dia. d mm						
	PA FV N	PP FV N	PA FV N	PP FV N	PA FV N	PP FV N
25	9200	6900	11500	8625	12650	5750
30	11500	6900	12650	9200	13800	5750
35	11500	9200	12650	9200	9200	4600
40	12650	9200	12650	9200	13800	6900
45	12650	9200	13800	9775	17250	12650

Bearing unit max. static load




UCFX/T - SUCFX/T - HCFX/T- SHCFX/T



Shaft dia. d mm		
	PA FV N	PA FV N
30	45000	45000
35	45000	45000
40	45000	45000




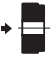
UCP/C - HCP/C - UCP - HCP



Shaft dia. d mm						
	PA FV N	PP FV N	PA FV N	PP FV N	PA FV N	PP FV N
20	4600	2070	20700	5750	5750	3450
25	6900	2070	20700	5750	6900	3450
30	8050	2300	28750	8050	9200	4600
35	9200	2530	31050	8625	11500	4830
40	9200	2530	31050	8625	11500	4830



UCPA/C - HCPA/C - UCPA - HCPA



Shaft dia. d mm								
	PA FV N	PP FV N	PA FV N	PP FV N	PA FV N	PP FV N	PA FV N	PP FV N
17	2500	1500	8000	3750	1500	1100	1250	1000
20	2500	1700	6750	4300	2300	1200	1100	750
25	3000	1700	10500	5200	2600	1750	1100	900


UCFB/C - HCFB/C - UCFB - HCFB



Shaft dia. d mm				
	PA FV N	PP FV N	PA FV N	PP FV N
20	3000	1700	1000	650
25	3500	2000	1000	650
30	3500	2000	1000	650
35	4000	2500	1000	650
40	5200	3000	1000	650

UCT/C - HCT/C - UCT - HCT





Shaft dia. d mm	
	PA FV N
20	16000
25	24000
30	27000

Bearing unit max. static load




UCFC/C - UCFC



Shaft dia. d mm				
	PA N	FV N	PA N	FV N
35	19550	12650	23000	11500

FC



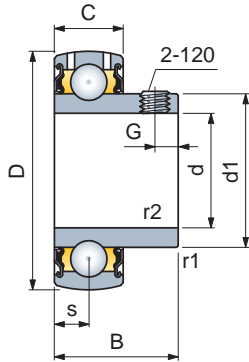
Shaft dia. d mm						
	PA N	FV N	PA N	FV N	PA N	FV N
35	17250	11500	17250	11500	23000	12650

Bearings

■ Bearings with grub screw locking system

Prelubricated with long lasting lithium/calcium grease • Can be rilubricated

Type A



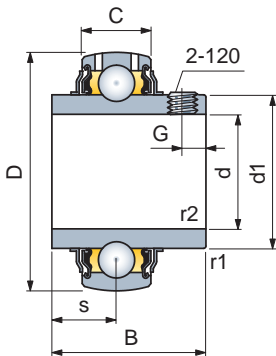
d mm	Dimensions in mm							r1, r2 min.	Grub screws	Load coefficient		Weight Kg
	d1	D	B	C	s	G	dyn. ¹⁾ C N			stat. Co N		
17	24,6	40	22	12	6	4	0,3	M5x0,8	9500	4750	0,07	
20	29	47	25	14	7	5	0,6	M6x1	12700	6550	0,11	
25	34	52	27	15	7,5	5,5	0,6	M6x1	14000	7800	0,14	
30	40,3	62	30	16	8	6	0,6	M6x1	19500	11200	0,23	
35	48	72	32	17	8,5	6,5	1	M6x1	25500	15300	0,31	
40	53	80	34	18	9	7	1	M8x1	30700	19000	0,43	
45	57,2	85	41,2	19	10,2	8,2	1	M8x1	33200	21600	0,48	
50	61,8	90	43,5	20	10,9	9,2	1	M8x1	35100	23200	0,54	

Chrome alloy steel.

¹⁾ = Values are valid for applications with ≤ h 6 shaft tolerance.

Time 0.77 values must be considered in all other cases.

Type B



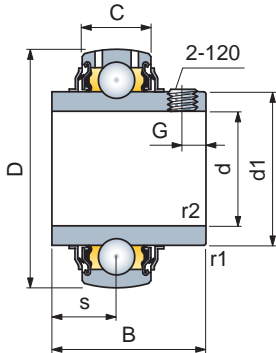
d mm	Dimensions in mm							r1, r2 min.	Grub screws	Load coefficient		Weight Kg
	d1	D	B	C	s	G	dyn. ¹⁾ C N			stat. Co N		
17	24,2	40	27,4	12	11,5	3,5	0,3	M6x0,75	9500	4750	0,09	
20	29	47	31	16	12,7	4,7	0,6	M6x1	12700	6550	0,14	
25	34	52	34,1	17	14,3	5,5	0,6	M6x1	14000	7800	0,17	
30	40,3	62	38,1	19	15,9	5,5	0,6	M6x1	19500	11200	0,28	
35	48	72	42,9	20	17,5	6,5	1	M8x1	25500	15300	0,41	
40	53	80	49,2	21	19	8	1	M8x1	30700	19000	0,55	
45	57,2	85	49,2	22	19	8	1	M8x1	33200	21600	0,60	
50	61,8	90	51,6	23	19	9	1	M10x1	35100	23200	0,69	

Chrome alloy steel.

¹⁾ = Values are valid for applications with ≤ h 6 shaft tolerance.

Time 0.77 values must be considered in all other cases.

Type C stainless steel



d mm	Dimensions in mm							r1, r2 min.	Grub screws	Load coefficient		Weight Kg
	d1	D	B	C	s	G	dyn. ¹⁾ C N			stat. Co N		
20	29	47	31	17	12,7	5	0,6	M6x1	10800	6550	0,14	
25	34	52	34,1	17	14,3	5	0,6	M6x1	11900	7800	0,18	
30	40,3	62	38,1	19	15,9	6	0,6	M6x1	16250	11200	0,29	
35	48	72	42,9	20	17,5	6	1	M6x1	21600	15300	0,42	
40	53	80	49,2	21	19	8	1	M8x1	26000	19000	0,56	

Stainless steel AISI 420.

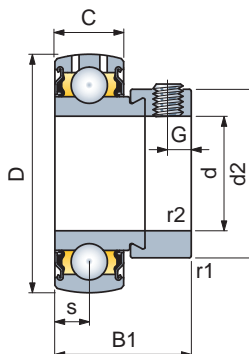
¹⁾ = Values are valid for applications with ≤ h 6 shaft tolerance.

Time 0.77 values must be considered in all other cases.

■ Bearings with self locking eccentric collar

Prelubricated with long lasting lithium/calcium grease • Can be rilubricated • Higher resistance to vibrations • Suitable for single directional travel (cannot reverse the sense of rotation) • Locking of the bearing is achieved by rotating the eccentric collar. The grub screw holds the collar and avoids rotation.

Type D



d mm	Dimensions in mm							r1, r2 min.	Grub screws	Load coefficient		Weight Kg
	d2	D	B1	C	s	G	dyn. ¹⁾ C N			stat. Co N		
17	28,6	40	28,6	12	6,5	4,75	0,3	M6x0,75	9500	4750	0,10	
20	33,3	47	30,9	14	7,5	5	0,6	M6x1	12700	6550	0,16	
25	38,1	52	30,9	15	7,5	5	0,6	M6x1	14000	7800	0,18	
30	44,5	62	35,7	16	9	6	0,6	M6x1	19500	11200	0,30	
35	51,9	72	38,9	17	9,5	6,5	1	M8x1	25500	15300	0,49	
40	60,3	80	43,7	18	11	6,5	1	M8x1	30700	19000	0,62	
45	63,5	85	43,7	19	11	6,5	1	M8x1	33200	21600	0,65	
50	69,9	90	43,7	20	11	6,5	1	M8x1	35100	23200	0,70	

Chrome alloy steel.

¹⁾ = Values are valid for applications with ≤ h 6 shaft tolerance.

Time 0.77 values must be considered in all other cases.

Bearings

Seals

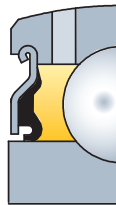
Type A - D. The system consists of a metallic ring fitted with a low friction rubber sealing lip.

Type B. The system is further equipped with a metallic protection ring providing a centrifugal sealing action.

Type C inox. The upper lip of the centrifuging ring together with the grease trapped between the base seal and the ring it self guarantees maximum sealing capacity.

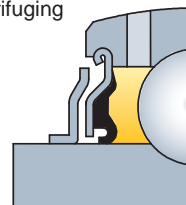
Type A - D

Metal ring with sealing lip



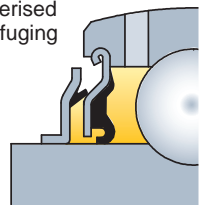
Type B

Centrifuging ring



Type C Inox

Rubberised centrifuging ring



Maximum velocities

The table indicates the values for **A, D, B** series bearings • Stainless steel bearings of the **C** Type (rubberised centrifuging ring) must not be operated at velocities in excess of 60% of the values indicated • The maximum velocity is dependant of the shaft tolerances. Higher tolerances require lower speed

Int. dia. bearing d mm	Shaft tolerance				
	h6	h7	h8	h9	h11
	Speed (RPM)				
17	9500	6000	4300	1500	950
20	8500	5300	3800	1300	850
25	7000	4500	3200	1000	700
30	6300	4000	2800	900	630
35	5300	3400	2200	750	530
40	4800	3000	1900	670	480
45	4300	2600	1700	600	430
50	4000	2400	1600	560	400

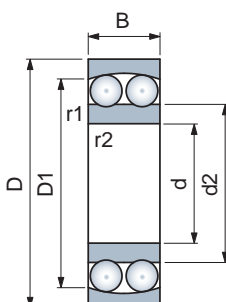
Axial load capacities

The bearing locking systems by grub screws/eccentric collars, allow axial loads up to 20% of the dynamic load coefficient (only with non hardened shafts and grub screws tightened as recommended) • For bearings of the **A, D, B, C**, series it is not recommended to exceed the value of: 0,25•C

Self aligning ball bearing holding by shoulders on shaft

The bearings have double row of balls running on a spherical outer race This configuration renders the bearing self aligning • The bearings are supplied without sealing units • They are held into position by shoulders on the shaft.

Type 1200



d mm	Bearing type	Dimensions in mm					Load coefficient		Revolutions RPM	Weight Kg
		D	B	d2	D1	r1, r2 min.	dyn. C N	stat. Co N		
20	1204	47	14	28,9	41	1	12700	3400	15000	0,12
25	1205	52	15	33,3	45,6	1	14300	4000	13000	0,14
30	1206	62	16	40,1	53	1	15600	4650	10000	0,22
35	1207	72	17	47	62,3	1,1	19000	6000	9000	0,32
40	1208	80	18	53,6	68,8	1,1	19900	6950	8500	0,42

Calculation data

■ Bearing dimensioning

The bearing dimensions, for a given application, should be chosen on the basis of the loads to be supported, expected service life and reliability. In most cases the reason for choosing a bearing is the fact that the shaft has already been sized during the design of the plant.

■ Calculation procedures for self-aligning bearings

The calculation procedure for self-aligning bearings consists in ensuring a satisfactory operating life of the unit:

- 1) The nominal service life is calculated using the formulas indicated below, keeping in mind the type of stress on the bearing (dynamic or static).
- 2) The nominal life of the bearing should reflect the expected service life of the plant as indicated in Table 1 hereunder.

■ Service life

The dimensioning of the bearing requires the knowledge of the appropriate life expectancy of the project in relation to the specific application. This depends on the type of plant, daily/yearly working hours and on the required reliability. In the absence of practical experience Table 1 gives our recommendations of the average expected plant life under various conditions.

Table 1 - Recommended plant expected life L_{10h} for MB support bearings

Plant type	Plant expected life L_{10h} hours
Seasonal Operation plants	4000 ÷ 8000
Daily operated plant, 8 hours/day, not completely utilised	10000 ÷ 20000
Daily operated plant, 8 hours/day, completely utilised	20000 ÷ 30000
Daily operated plant, 24 hours/day	40000 ÷ 80000

Dynamically stressed bearings

Bearings which rotate under load are considered dynamically stressed (one ring of the bearing makes one full rotation against the other). In most cases, self-aligning supports are dynamically stressed.

■ Expected life calculation formula

The service life of a bearing is expressed in the number of revolutions or hours of operations which can be expected without breakdown (erosion or laminations of the bearing revolving parts).

The calculating procedure for nominal duration is valid whatever the type of bearing:

$$L_{10} = \left(\frac{C}{P}\right)^3 \text{ Life in Millions revolutions.}$$

When bearings rotate at constant speed it is more practical to calculate the life in number of hours:

$$L_{10h} = \frac{1666}{n} \cdot \left(\frac{C}{P}\right)^3 \text{ Life in hours.}$$

L_{10} = life in millions of revolutions.

L_{10h} = life in hours.

C = dynamic load coefficient (N). Values are indicated in the support dimensional tables.

P = equivalent dynamic load (N). See calculation formula on Table 2.

n = revolutions (RPM).

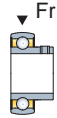
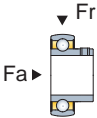
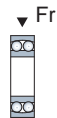
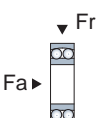
■ Correct expected life

In the majority of cases, for self aligning MB bearings, it is sufficient to calculate L_{10} , L_{10h} using the formula indicated above. The new theory of life calculation permits to establish the correct life expectancy keeping into consideration the effects of lubrication, pollution of solid particles and of the fatigue limit load P_u (values are reported in the bearing tables). The calculation of the correct expected life requires therefore the assistance of the technical commercial staff.

Calculation data

Equivalent dynamic load P calculation

Table 2 - Equivalent dynamic load P calculation

Bearing Type	Load direction on the bearing	Equivalent dynamic load P (N) calculation formula
A B C D		$P = Fr$
		$P = X \cdot Fr + Y \cdot Fa$
1200		$P = Fr$
		$P = Fr + Y1 \cdot Fa$ with $\frac{Fa}{Fr} \leq e1$ $P = 0,65 \cdot Fr + Y2 \cdot Fa$ with $\frac{Fa}{Fr} > e1$

- P** = equivalent dynamic load (N).
- Fr** = radial load acting on the bearing (N).
- Fa** = axial load acting on the bearing (N).
- x, Y** = load factors. See Table 3.
- e1, Y1, Y2** = factors. See Table 4.

Table 3 - Load factors x, y

Ratio $\frac{Fa}{Co}$	e	With: $\frac{Fa}{Fr} \leq e$		With: $\frac{Fa}{Fr} > e$	
		x	y	x	y
0,025	0,22	1	0	0,56	2
0,04	0,24	1	0	0,56	1,8
0,07	0,27	1	0	0,56	1,6
0,13	0,31	1	0	0,56	1,4
0,25	0,37	1	0	0,56	1,2
0,5	0,44	1	0	0,56	1

Table 4 - Factors e1, Y1, Y2, Yo

Int. dia. bearing mm	e1	Y1	Y2	Yo
20	0,30	2,1	3,3	2,2
25	0,28	2,2	3,5	2,5
30	0,25	2,5	3,9	2,5
35	0,23	2,7	4,2	2,8
40	0,22	2,9	4,5	2,8

Co = Static load coefficient (N).
The values are indicated in the support dimensional tables.

Operating conditions coefficients

It should be common practice to include operational factors when calculating bearing dimensions to allow for load variations which may happen during running of the plant. The coefficients given here under are indicative only and are based on actual operational experience.

- With steady loads/light impacts: multiply the equivalent dynamic load P by: $1,2 \div 1,5$
- With loads and medium impacts: multiply the equivalent dynamic load P by: $1,7 \div 2,0$

Calculation data

Static load capacity control

Statically stressed bearings

In rolling-contact bearing technology the condition of static load is considered to exist when:

- The bearing does not rotate and is subjected to permanent loads or intermittent ones (impacts).
- The bearing is subjected to loads and slow oscillating movements.
- The bearing rotates under load at a very low speed and for short periods.
- The bearing rotates under load and must withstand strong impacts acting in the course of one revolution.

The static safety coefficient f_s must not exceed the recommended values given in Table 5 in order to obtain a satisfactory performance of the bearings. Coefficient f_s gives the safety margin against excessive permanent deformation of the revolving parts of the bearing.

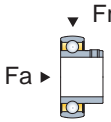
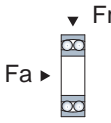
$$f_s = \frac{C_o}{P_o}$$

f_s = static safety coefficient.
 C_o = static load coefficient (N). The values are given in the support dimensional tables.
 P_o = equivalent static load (N). See calculation formula given below.

Table 5 - Static safety coefficient f_s for MB bearings

Type of operation	Revolving bearings			Non revolving bearings
	Noise level not important	Normal noise level operation	Low noise level operation	
Smooth operation without vibration	5	1	2	0,4
Normal operation	0,5	1	2	0,5
Impact loads operation	$\geq 1,5$	$\geq 1,5$	≥ 2	≥ 1

Equivalent static load P_o calculation

Bearing type	Load direction on the bearing	Equivalent dynamic load P (N) calculation formula
A B C D		$P_o = 0,6 \cdot Fr + 0,5 \cdot Fa$ If $P_o < Fr$, then assume $P_o = Fr$.
1200		$P_o = Fr + Y_o \cdot Fa$

P_o = equivalent static load (N).
 Fr = radial load on the bearing (N).
 Fa = axial load on the bearing (N).
 Y_o = see table 4.

Lubrication

■ Prelubrication

All self-aligning bearings are supplied factory lubricated.

Warning

The first lubrication must be carried out only for bearings of the series FL - F - FC held by the shaft shoulders.

■ Lubricating grease

Bearings are prelubricated with long lasting lithium/calcium grease.

Technical data	NLGI consistency:	2
	Emulsifier:	lithium/calcium
	Base oil:	mineral
	Base oil viscosity:	165 mm ² /s at 40°C
	Operating temperature:	- 20°C to +120°C
	Water resistance:	Recommended
	Antioxidant properties:	Recommended

■ Relubrication

All self-aligning bearing units are equipped with a grease nipple of the ball type to allow periodical relubrication of the bearing.

Warning

- Do not grease at first assembly.
- The first lubrication must be carried out only for bearings of the series FL - F - FC held by the shaft shoulders.
- Stainless steel pressed metal supports of the series SBF are not relubricatable.
- Use only grease of same characteristics as indicated.
- Clean greasing nipple before each greasing operation.
- Inject grease slowly until it comes out from the bearing.
Keep the bearing rotating and do not apply excessive pressure which could damage the sealing units.
- More frequent greasing operations with smaller quantities of grease are to be preferred.

■ Relubrication intervals

Relubrication intervals vary according to actual operating conditions.

Very often during operation, load, speed, temperature and ambient conditions (humidity, dust)

may vary making it difficult to establish exact rules.

Experience once again gives the best answer:

- Light operating conditions: relubricate every 6 months.
- Normal operating conditions: relubricate every 1÷3 months.
- Heavy operating conditions: relubricate every 2 weeks.

Grease life in bearings lubricated for life

(dry use recommended)

■ **Formula to calculate grease life in bearings lubricated for life**

This procedure allows to calculate the grease life as a function of its quality and bearing type, dimension, rotating speed, applied loads and working temperature.

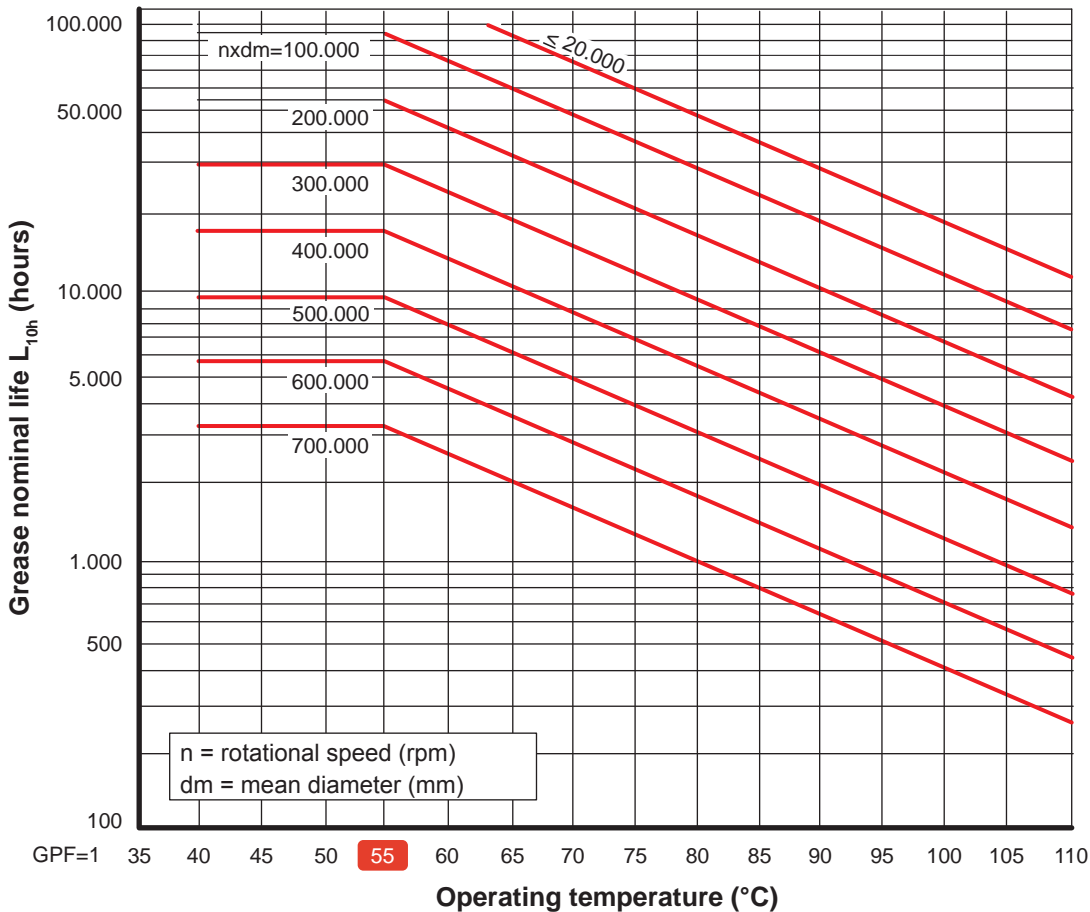
$$L_h = L_{10} \times Fc \text{ Grease life (hours)}$$

- L_h = Grease life (hours).
- L_{10h} = Grease nominal life (hours). See Diagram 1.
- Fc = Correction factor. See Diagram 2.

■ **Diagram 1**

- Grease nominal life L_{10h}

This diagram allows to determine the nominal grease life L_{10h} (hours), as a function of rotating speed n (rpm), mean diameter dm (mm), bearing working temperature ($^{\circ}C$). Greases are classified by a factor GPF (Grease Performance Factor), related to their temperature performance. In this table we consider a grease with GPF = 1, which is the grease used in all Marbett LifeLube bearings.



dm (mm) = mean diameter.

Type A

Type D

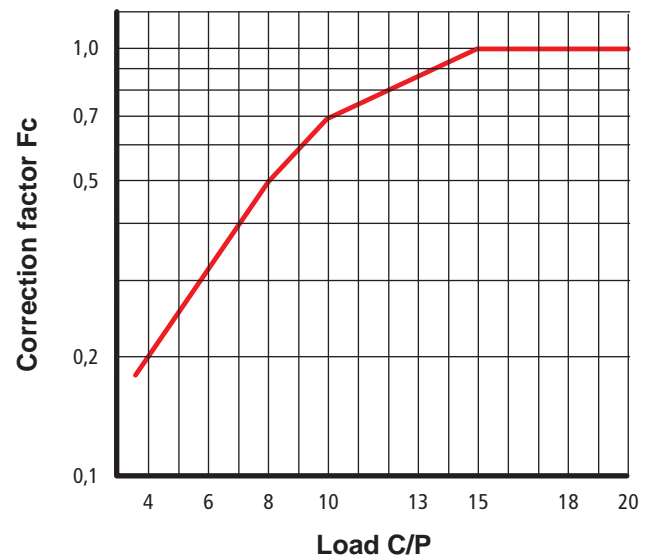
dia. d mm	dia. dm mm
17	28,5
20	33,5
25	38,5
30	46
35	53,5
40	60
45	65
50	70

55 = At room temperature, with normal working conditions, the grease works at a temperature lower than 55°C.

Grease life in bearings lubricated for life (dry use recommended)

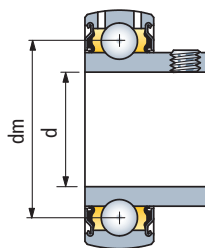
■ Diagram 2 - Correction factor F_c

The corrective factor F_c , keeps into consideration the influence of load applied on bearings as a function of load ratio C/P .
With low loads ($C/P \geq 15$) the duration of the grease is not influenced by load values.



C = Dynamic load coefficient (N).
Values are indicated in the bearings dimensional tables.
P = Equivalent dynamic load (N).
See Table 2.

■ Example of calculation



Data:

- Bearing Type **A**.
- $d = 40$ mm (shaft dia.).
- $dm = 60$ mm. (bearing mean dia.).
- $n = 300$ rpm. (rotational speed).
- 55 °C (grease operating temperature).
- $C = 23600$ N (Dynamic load coefficient).
- $P = 3000$ N (equivalent dynamic load).

- From Diagram 1, as a function of:
 $n \times dm = 300 \text{ rpm} \times 60 \text{ mm} = 18000$
we read a nominal grease life of:
 $L_{10h} = 100000$ hours.

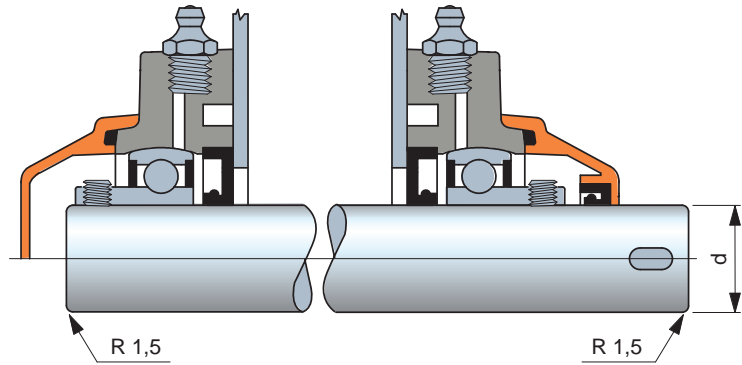
- From Diagram 2, as a function of:
 $C/P = 23600 \text{ N} : 3000 \text{ N} = 7,8$
we read a corrective factor of:
 $F_c = 0,5$.

- Calculation of estimated grease life:
 $L_h = L_{10h} \times F_c = 100000 \text{ hours} \times 0,5 = 50000 \text{ hours}$.

Shaft tolerances

**Tolerances for grub screws/
eccentric collar locked bearings**

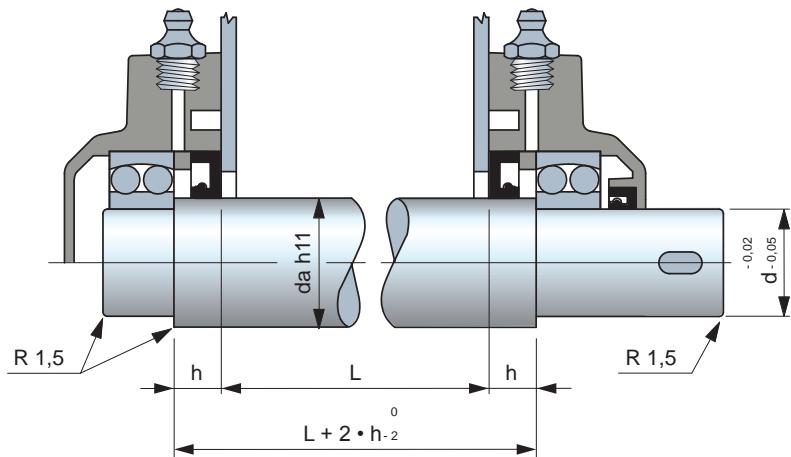
- The tables indicate shaft diameter tolerances.
- Shaft ends must be rounded off in order to:
 - ease assembly and avoid bearing jamming.
 - avoid damages to the rubber parts of the sealing units.
- The shaft surface for the portion in contact with the sealing gaskets must be smooth and free of defects (scratches etc.).



ISO shaft tolerance

Shaft dia. d mm	Heavy loads High speed		Normal operation		Light loads Low speed		Simple applications					
	h 6		h 7		h 8		h 9		h 10		h 11	
	plus	min.	plus	min.	plus	min.	plus	min.	plus	min.	plus	min.
17	0	-11	0	-18	0	-27	0	-43	0	-70	0	-110
20 ÷ 30	0	-13	0	-21	0	-33	0	-52	0	-84	0	-130
35 ÷ 50	0	-16	0	-25	0	-39	0	-62	0	-100	0	-160

Tolerances in μm



h values are given in the support dimensional tables

**Tolerances for shaft shoulders
locked bearings**

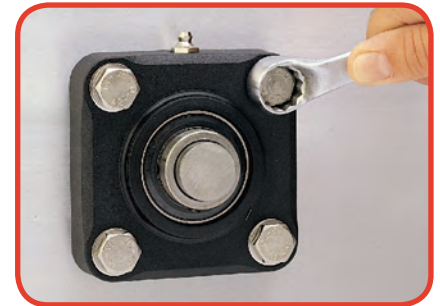
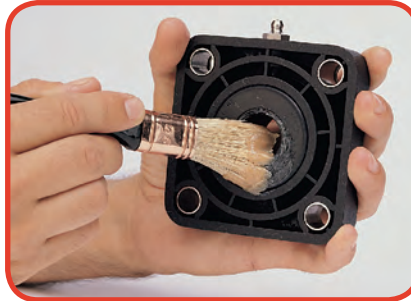
- Shaft ends must be rounded off in order to:
 - ease assembly and avoid bearing jamming.
 - avoid damages to the rubber parts of the sealing units.
- The shaft surface for the portion in contact with the sealing gaskets must be smooth and free of defects (scratches etc.).
- The mounting shaft/bearing is free to facilitate assembly.
For heavy radial loads conditions it is recommended a slightly tight mounting.

Mounting

■ Assembly instructions

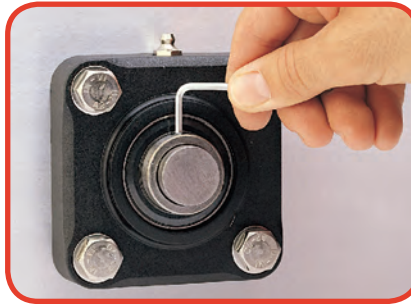
1 - With waterproof bearings the rubber sealing units must be greased before mounting to avoid initial dry running on the shaft. The grease must fill only the space in between the two sealing lips.

2 - The bearing must be locked onto the shaft after the support mounting flange has been fully tightened. This is necessary to allow the bearing to assume its correct alignment on the shaft without undue axial stresses. Always tighten the screws diagonally.



■ Locking of the bearing by grub screws

3 - The table gives the recommended maximum tightening couples for the grub screws and the size of the hexagonal to use.

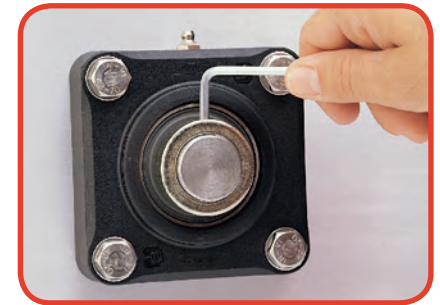


Int. dia. bearing mm	Sc. driver size mm			Max. tightening couple Nm		
	Bearings A A C		Bearings D	Bearings A A C		Bearings D
	A	A C	D	A	A C	D
17	2,5	3	3	3,5	4	4
20	3	3	3	4	4	4
25	3	3	3	4	4	4
30	3	3	3	4	4	4
35	3	4	4	4	6,5	6,5
40	4	4	4	6,5	6,5	6,5
45	4	4	4	6,5	6,5	6,5
50	4	5	4	6,5	16,5	6,5

■ Locking of the bearings by eccentric collar

4 - Tighten the collar by turning it with a punch in the same direction as the rotation of the shaft.

5 - Hand tighten the grub screw. The screw driver dimension and the tightening couple are given in the table above (Ref. D series bearings).



■ Assembly / removal of the protection cover

6 - Assembly. The sealing unit of open end covers must be greased to avoid initial dry running on the shaft. The grease must fill only the space in between the two sealing lips.

7 - Removal. Insert a screw driver into the groove provided for and force the cover out.



Resistance against chemical agents	POLYAMIDE PA	POLYPROPYLENE PP	POLYETHYLENE PE	ACETAL POM	AISI 303 AISI 304	AISI 316	NICKEL PLATED BRASS	NBR RUBBER	VITON RUBBER
	Conc.% 23°C	Conc.% 23°C	Conc.% 23°C	Conc.% 23°C	Conc.% 23°C	Conc.% 23°C	Conc.% 23°C	Conc.% 23°C	Conc.% 23°C
PHENOL	-	+			10 +	+		-	+
PHOSFORIC ACID	10 -	85 +	95 +	10 -	10 -	50 /	-	20 /	85 +
POTASSIUM HYDROXIDE	10 +				50 +	50 +		/	+
SEA WATER	+	+	+	/	+	+	+	+	+
SILICONE OIL	+	+						+	+
SILVER NITRATE	+	20 +			60 /			/	+
SOAP AND WATER	+	+	+	+	+			+	
SODIUM CARBONATE	10 +	Sat. +	+	+	5 +	100 +		+	+
SODIUM CHLORIDE	10 +	Sat. +	+	+	5 +	/	+	+	Sat. +
SODIUM HYDROXIDE	10 +	30 +	+	10 +	-		+	/	
SODIUM HYPOCHLORITE	+	20 +	+	-	-			-	5 +
SODIUM SILICATE	+				100 +	100 +		+	
SODIUM SULPHATE	10 +	Sat. +	+	+	5 +	100 +		+	+
SOFT DRINKS	+	+	+	+	+		+	+	
SUDS	+	+						+	+
SULPHURIC ACID	10 -	98 +	40 /	40 -	10 -	100 +	+	-	95 +
TARTARIC ACID	+	10 +	+	30 /	10 +	50 +	-	+	+
TETRALINE	+	-						-	+
TINCTURE OF IODINE	-	+	+	+			-	/	
TRANSFORMER OIL	+	/						+	+
TRICHLOROETHYLENE	/	/	+	-	+		+	-	+
TURPENTINE	/	-	-	-	+			-	
VASELINE	+	+	/	+				+	+
VEGETABLE JUICES	+	+	+	+	+			+	
VEGETABLE OILS	+	+	+	+	+			+	
VINEGAR	+	+	+	+	+		+	/	-
WHISKY	+	+	+	+	+		+	+	+
WINE	+	+	+	+	+		+	+	+
XILOL	+	-	/	+	+		/	-	+
ZINC CHLORIDE	10 /	20 +			10 -	/		+	Sat. +

Abbreviations: Sat. = saturated.

Legend..

- + = Good resistance.
- / = Fairly good resistance (limited use depending on working conditions).
- = Poor resistance (not recommended).
- N.B. Where tests have not been carried out the spaces are left blank.

The data shown in this table..

are taken from laboratory tests, performed on unstrained test samples. It should be considered as purely indicative since material behaviour under real working conditions depends on different factors: temperature, concentration of the chemical agent, quick or long-lasting effect of the chemical agent.

Operating temperatures

Material	Description	Operating temperatures (°C)		
		Min	Max	Max
PA	Polyamid	0	+ 80	+ 65
PA FV	Reinforced polyamid	- 5	+ 120	+ 100
PP	Polypropylene	+ 5	+ 105	+ 105
PP FV	Reinforced polypropylene	+ 5	+ 115	+ 115
PE (UHMWPE)	Polyethylene	- 40	+ 80	+ 70
POM	Acetal	- 40	+ 80	+ 65
Rex-LF®	Acetal	- 40	+ 80	+ 65
AISI 303 - AISI 304	Austenitic stainless steel (18/8)	- 70	+ 430	+ 120
Fe Zn	Zinc plated steel	- 40	+ 180	-
OT	Nickel plated brass	- 40	+ 180	+ 120