

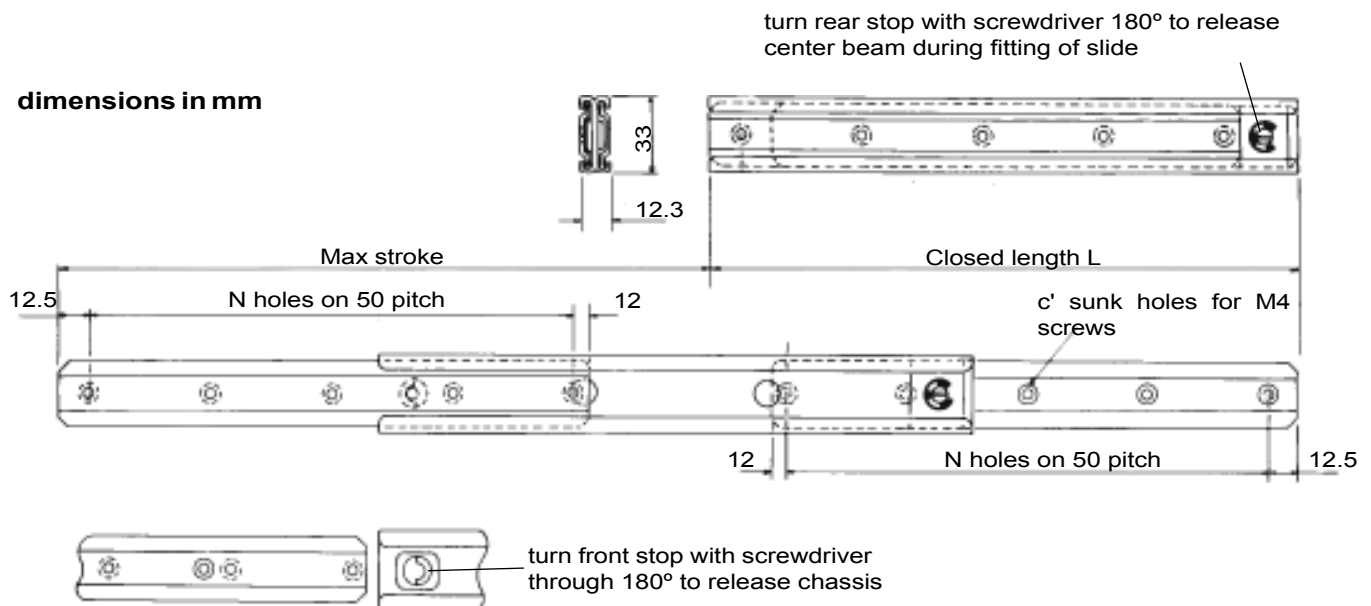
NYLON COATED STEEL TELESCOPIC SLIDES

LST33R Series

The LST 33R series telescopic slides are useful where space is limited but an easily removable chassis is wanted. They have a nylon coated center beam instead of a ball cage.

Turning a stud on the front stop 180° with a screwdriver releases the chassis. It can then be lifted out and a replacement fitted.

The LST33R series is particularly suited for applications involving shocks and vibrations. Austenitic stainless steel can be specified when a low - magnetic slide is required and for applications in the medical and food - preparation equipment.

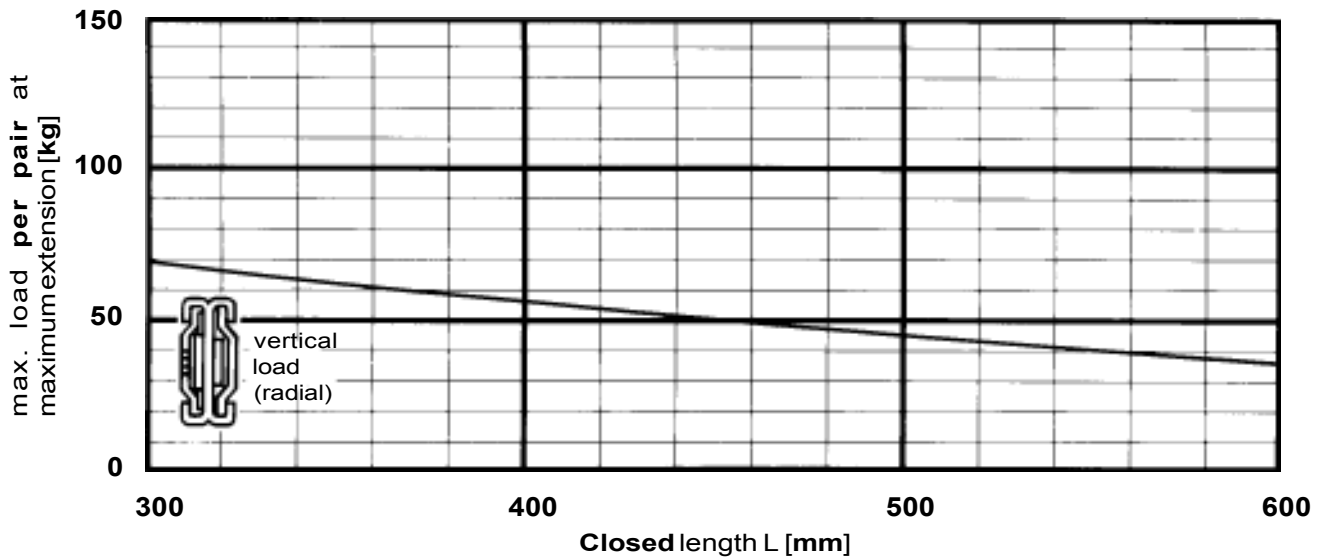


AVAILABILITY

Available in eight lengths as shown below.
All have strokes that are 25mm longer than closed length.

STANDARD LENGTHS - LST33R SERIES SLIDES

Closed length L (mm)	250	300	350	400	450	500	550	600
max stroke (mm)	275	325	375	425	475	525	575	625
No. of holes (in each beam)	5	6	7	8	9	10	11	12



LOAD

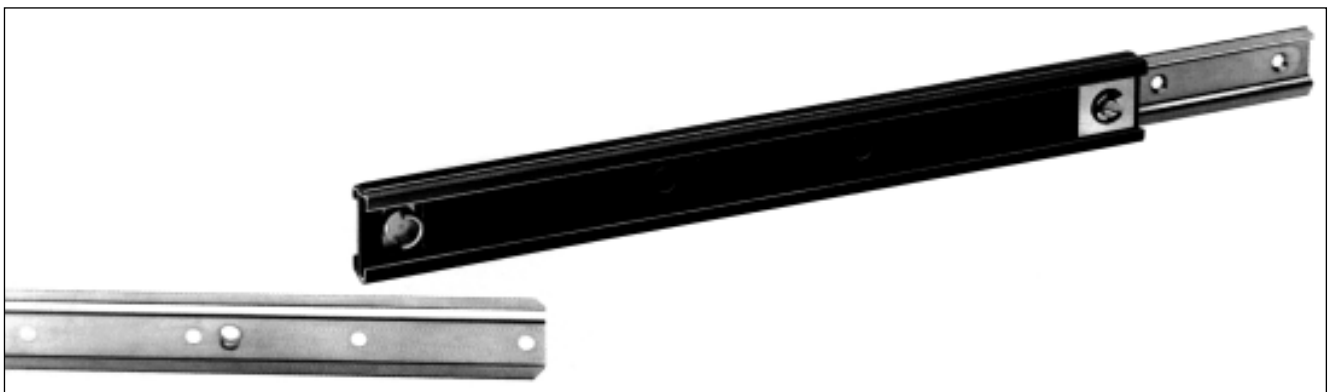
This graph assumes a uniformly distributed load acting radially on a pair of slides which are rigidly attached to the structure throughout their length. Please consult our Technical Service when vibrations and shock conditions are involved.

SPECIFICATIONS

- All beams are made from steel.
- Inner beams are nylon coated.
- Outer beams are zinc plated including yellow passivation.
- Maximum operating temperature 70°C.
- Weight 1.8 kg/m per pair.

OPTIONS

LST33RBS, LST33RBD have trigger catch which locks slide when withdrawn and permits quick removal of chassis. See page 6.



ORDER CODES

LST33R - 300

