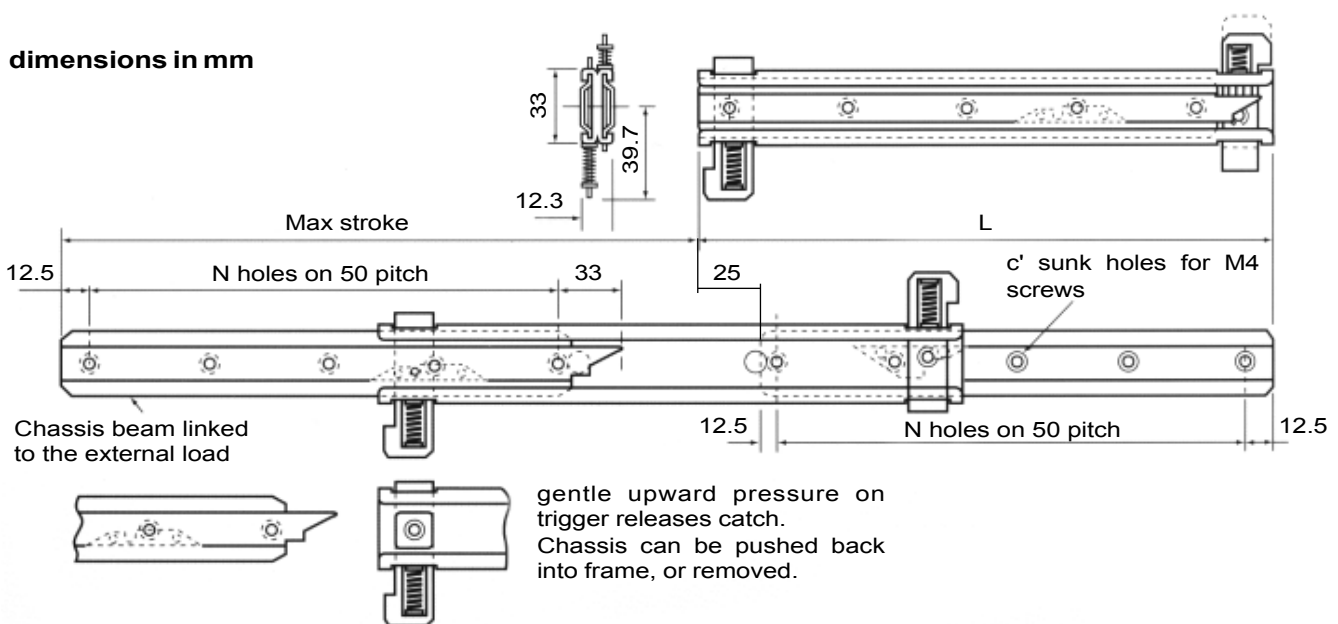


NYLON COATED STEEL TELESCOPIC SLIDES

LST33RBS, LST33RBD Series

The LST33RBS, LST33RBD series telescopic slides are ideal for situations that require a compact slide which locks the chassis in the withdrawn position and allows it to be easily removed and replaced

The trigger mechanism automatically locks the slide when it is fully withdrawn. Gentle finger pressure on the front trigger releases the latch enabling the removal or closure of the slide. Approved for defense use. Not recommended for heavy chassis mounted on a sloping panel. This slide is particularly suited for applications involving shocks and vibrations. Austenitic stainless steel can be specified when a low - magnetic slide is required and for applications in the medical and food preparation equipment.



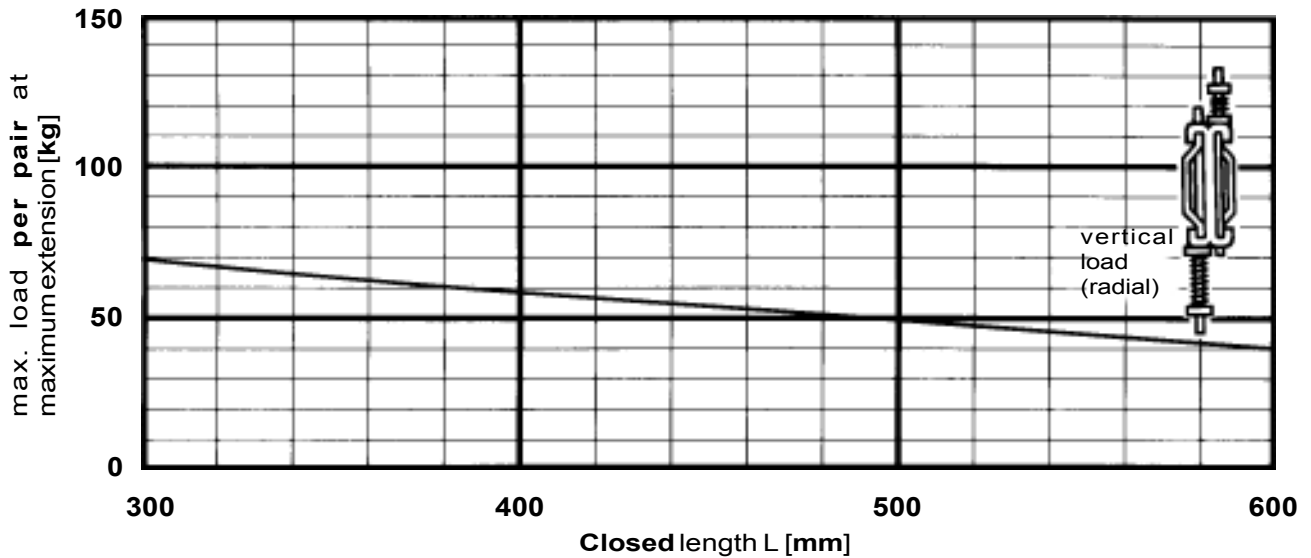
AVAILABILITY

Available in eight lengths as shown below.

All have strokes that are 25mm longer than closed length.

STANDARD LENGTHS - LST33RBS, LST33RBD SERIES SLIDES

Closed length L (mm)	250	300	350	400	450	500	550	600
max stroke (mm)	280	330	380	430	480	530	580	630
No. of holes (in each beam)	5	6	7	8	9	10	11	12



LOAD

This graph assumes a uniformly distributed load acting radially on a pair of slides which are rigidly attached throughout their length to the structure. Please consult our Technical Service when vibrations and shock conditions are involved.

SPECIFICATIONS

- All beams are made from steel.
- Inner beams are nylon coated.
- Outer beams are zinc plated including yellow passivation.
- Maximum operating temperature 70°C.
- Weight 1.8 kg/m per pair.

OPTIONS

In LST33R Series the mobile beam can be quickly removed. See page 4.



ORDER CODES

LST33RBS - 300

