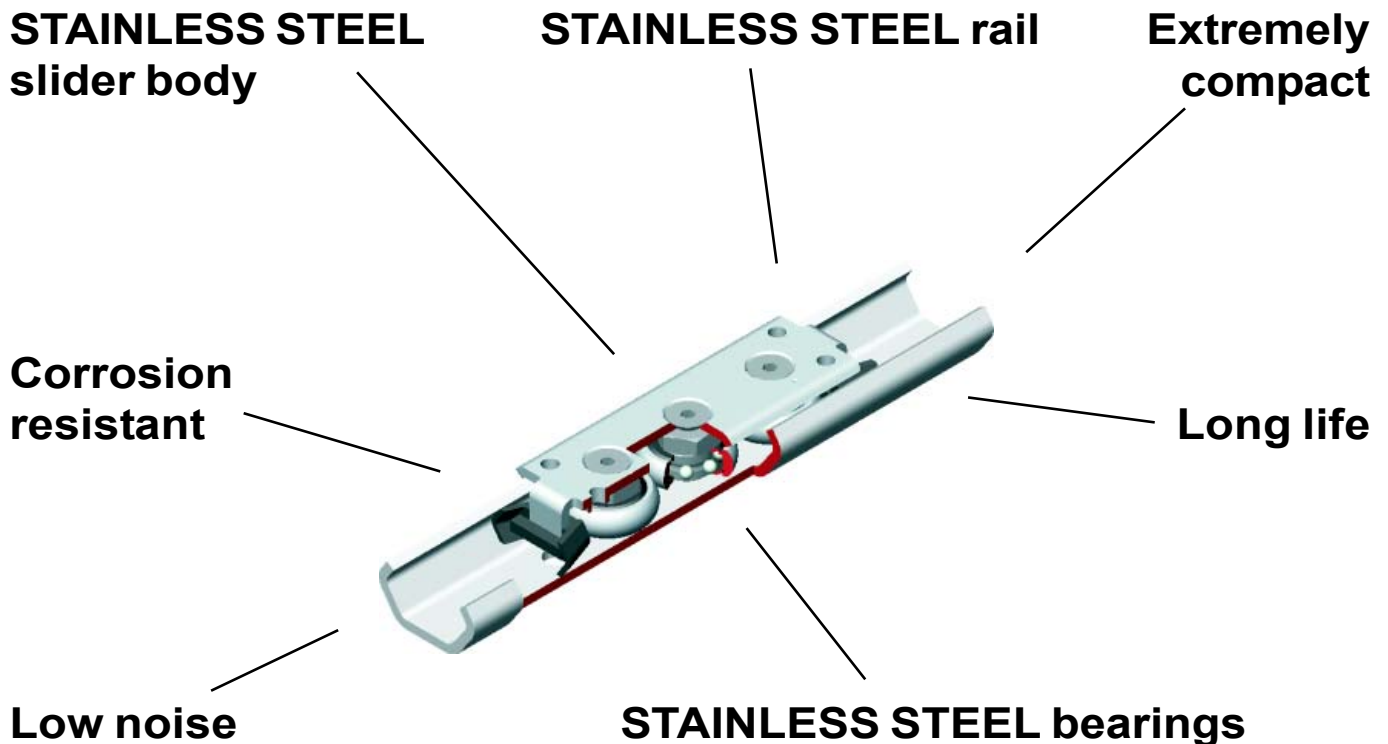


TEX rail - CEX slider

...perfect for washdowns!



This series is a simple and cost effective linear bearing for applications where good load capacity and corrosion resistance are most important.

The following are the many advantages that the product offers in almost all applications:

- Corrosion resistant even after scratching, etching, and chipping
- Can be used in washdowns
- Resistant to high temperatures and temperature changes
- No coatings that could flake or chip
- Low coefficient of friction
- Ecological and recyclable materials

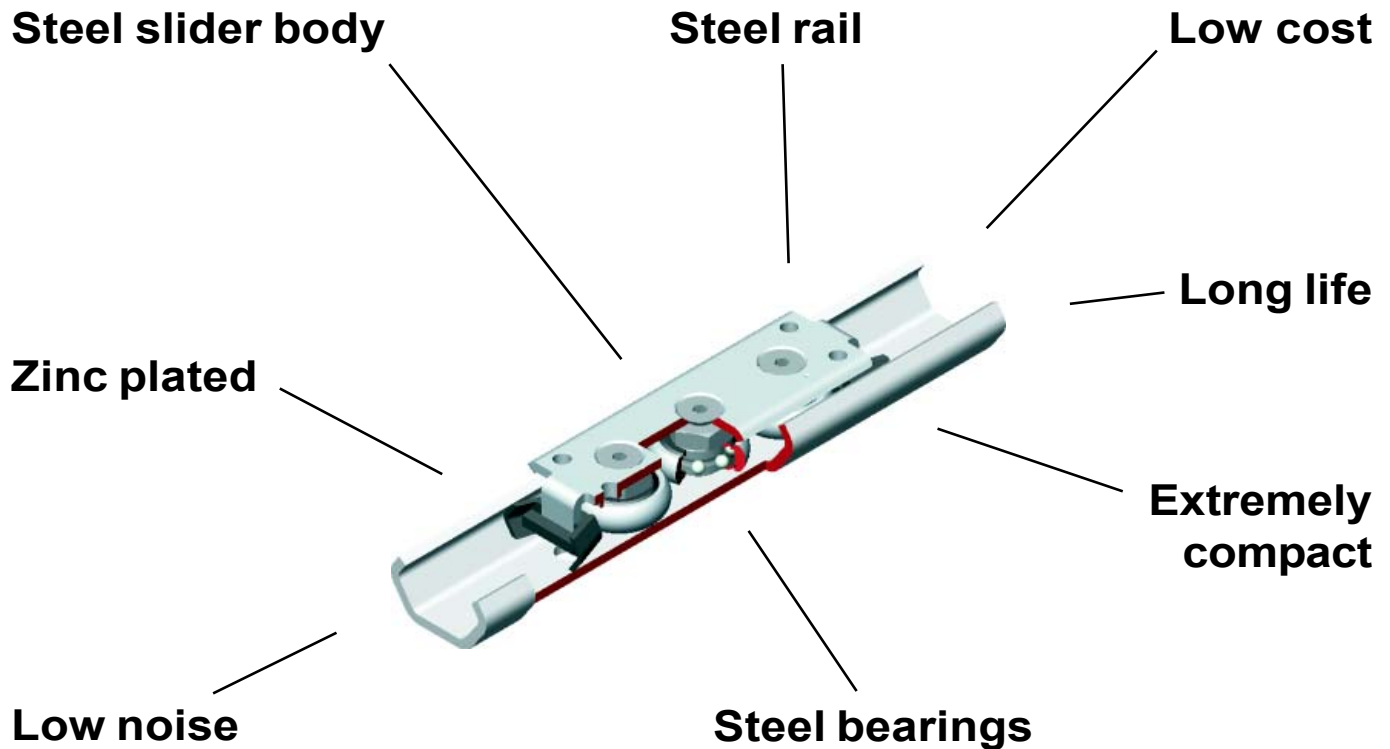


The contoured **rail** is made of **AISI316L** stainless steel and comes in lengths up to 3 meters (9'10"). The raceways are internal for better protection and compactness.

The rails come with standard mounting holes with a hole pitch of 80 mm (3.15").

The **rollers** have double seals (2RS) and are lubricated for life. These rollers have eccentric pivots that allow adjusting the preload when mounted inside the rail. The rollers are mounted to the **slider** body in **AISI316L** stainless steel.

TES rail - CES slider



This series is a cost effective linear bearing for applications where good load capacity and simplicity of use are most important.

The following are the many advantages that the product offers in almost all applications:

- extremely cost effective
- low coefficient of friction
- low noise
- resistant to high temperatures and temperature changes

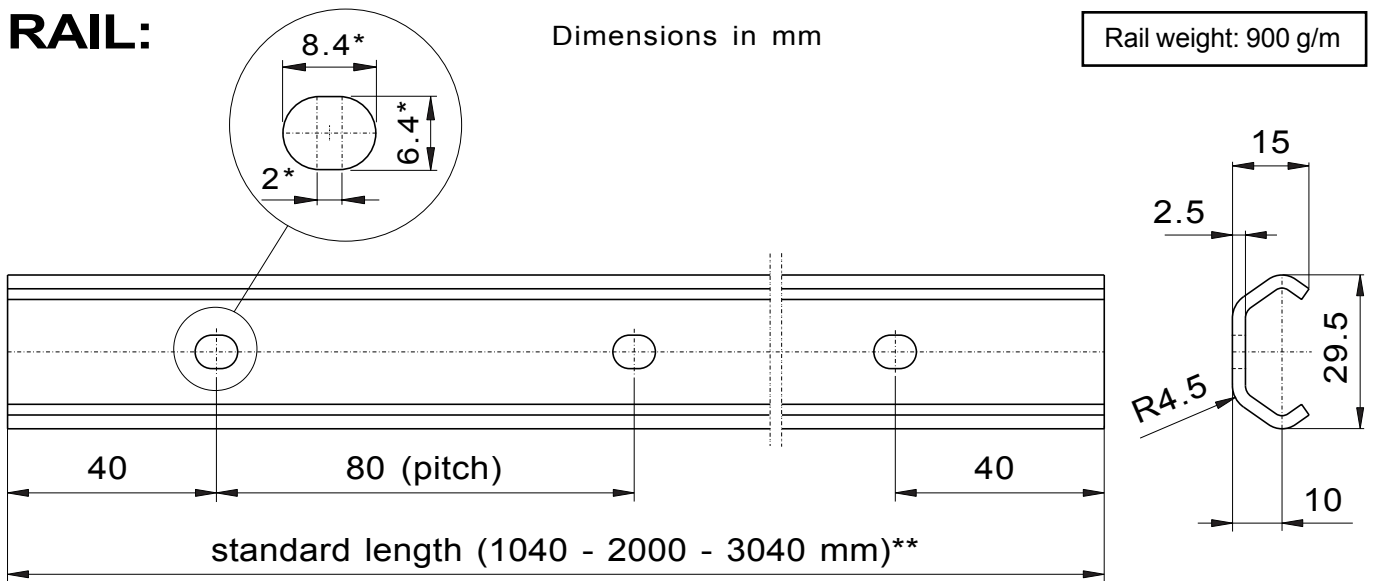


The contoured rail comes in lengths up to 3 meters (9'10"). The raceways are internal for better protection and compactness. The rails come with standard mounting holes with a hole pitch of 80mm (3.15"). The steel rollers have 2Z sealing and are lubricated for life. These rollers have eccentric pivots that allow adjusting the preload when mounted inside the rail.

RAIL:

Dimensions in mm

Rail weight: 900 g/m

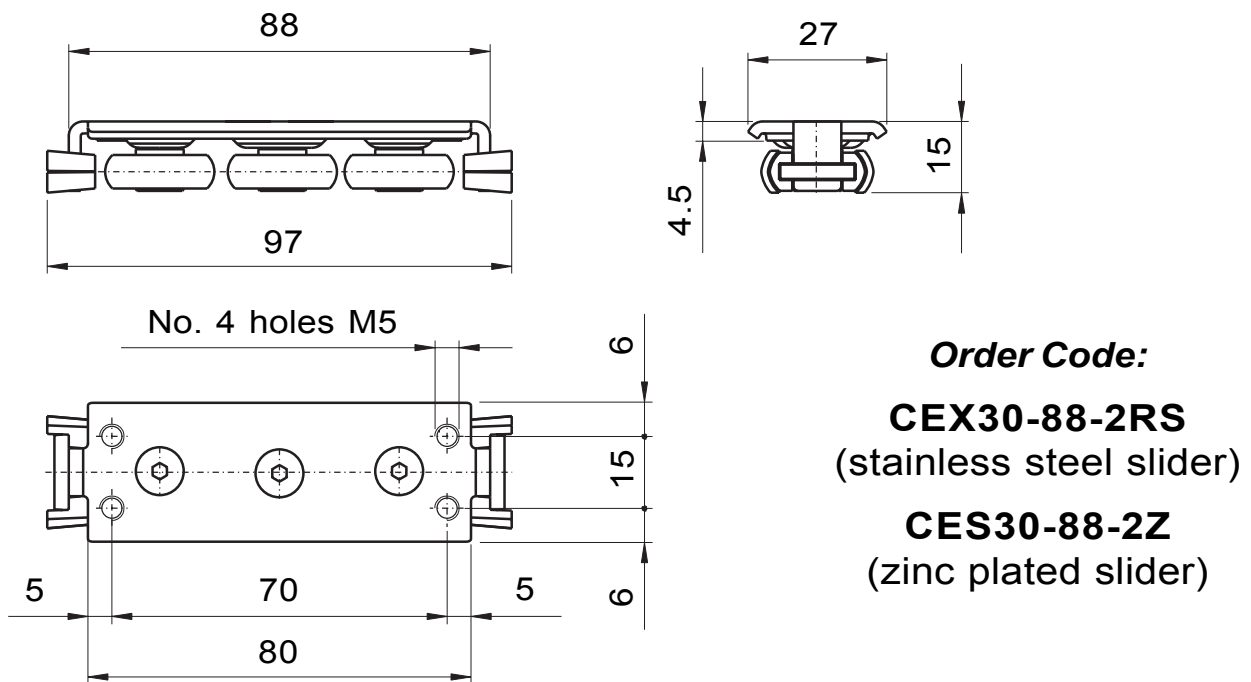


Order Code:

TEX30-1040 (stainless steel rail) / **TES30-1040** (zinc plated rail)

SLIDER:

Slider weight: 120 g

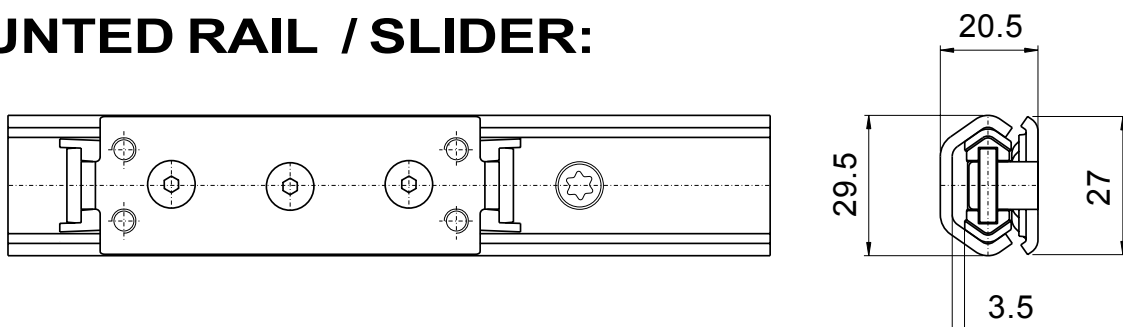


Order Code:

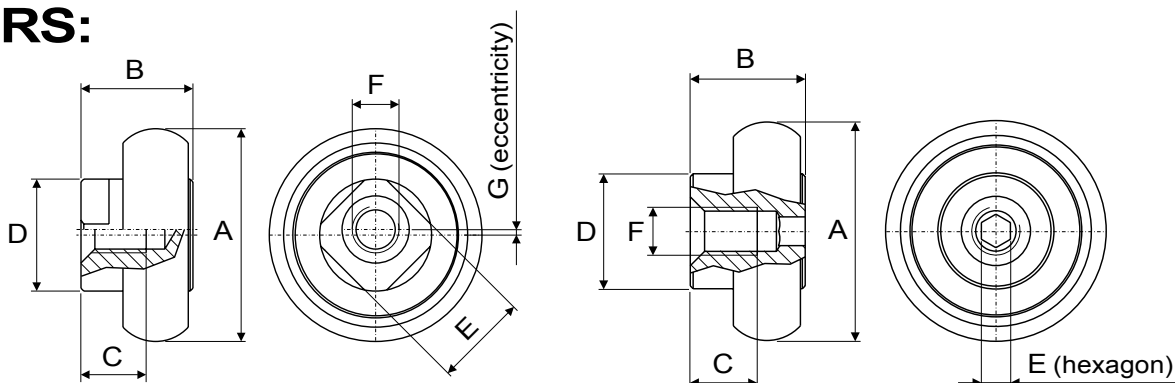
CEX30-88-2RS
(stainless steel slider)

CES30-88-2Z
(zinc plated slider)

MOUNTED RAIL / SLIDER:



ROLLERS:



Type	A	B	C	D	E	F	G	Weight [g]
CRPN30-2Z CRPNX30-2RS	22.8	12	12	7	3	M5	/	18
CRPA30-2Z CRPAX30-2RS	22.8	12	12	7	10	M5	0.6	17.5

Order Code:

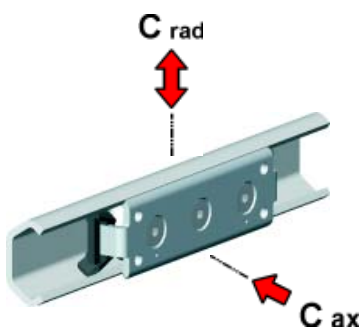
CRPAX30-2RS (eccentric roller - stainless steel)

CRPA30-2RS (eccentric roller - steel)

CRPNX30-2RS (non-eccentric roller - stainless steel)

CRPN30-2Z (non-eccentric roller - steel)

LOAD CAPACITIES



Type	C_{rad} [N]	C_{ax} [N]
CEX	800	400
CES	800	400

TECHNICAL DATA:

- **Max. temperature:** 120° C (266° F) for CES sliders, 100° C (212° F) for CEX sliders
- **Speed:** 1,5 m/s (59 in/s)
- **Corrosion resistance:** Minerals oils, water, methanol, solvents

APPLICATION FIELDS:

Environmental (water treatment); **Energy** (HVAC, boilers, home fireplaces); **Food** (packaging); **Construction and machinery** (civil construction and gates, car wash); **Medical** (radiology devices, hospital equipment, surgical devices); **Transportation** (trains, ships, boats and other marine applications); **Light automation**; **Industrial protective panels**; **Vehicle slides**; **Office equipment**; **Machine tool doors**.

ROLLON S.p.A.

Via Trieste 26, 20059 Vimercate (Milano) - ITALY
 Phone: (+39) 039 62591 - Fax : (+39) 039 6259206
 e-mail: infocom.it@rollon.com website: www.rollon.com