

RAB-OIL99



# ROLLWAY<sup>®</sup>

## Roller Bearings for Oil Field Equipment



EMERSON POWER TRANSMISSION  
[www.emerson-ept.com](http://www.emerson-ept.com)



### Engineered Bearings for your Applications

Large diameter, engineered roller bearing products are our specialty. We engineer and manufacture some of the most rugged bearings in the world, so naturally, you would expect to find ROLLWAY® Roller Bearings in the most demanding applications on the typical rotary rig. As you can see ROLLWAY manufactures a broad range of bearings used on today's rigs and we are continuing to work on bearings to make the rigs of tomorrow more efficient.

This brochure highlights ROLLWAY engineered roller bearing products specifically used in oil field equipment applications, more specific product information can be obtained in our catalog RB-00 or by calling ROLLWAY engineering at 1-800-448-2260.



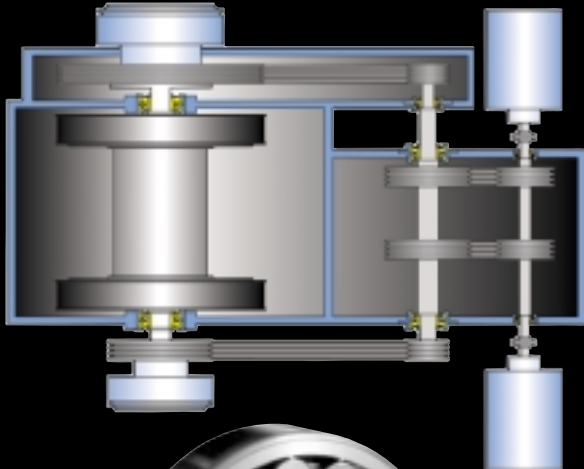
### 1 Hook

Utilizing Cylindrical thrust bearings to help support the suspended Swivel (Item 2) and allow the hook to rotate.



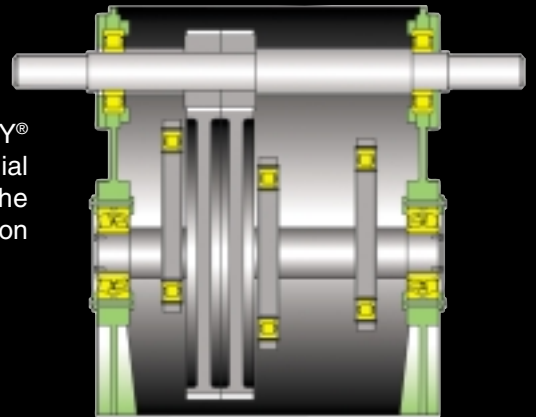
### 4 Drawworks

Chain driven Drawworks utilize ROLLWAY® Cylindrical and Spherical Radial Roller Bearings to support the drum and associated drive shafts.



### 3 Mud Pump

Mud pumps utilize ROLLWAY® Cylindrical and Spherical Radial Roller Bearings to support the crank shaft, drive shaft and piston rods on the crank eccentrics.



### 5 Shale Shakers

Utilize Cylindrical and Spherical Radial Roller Bearings on the exciter drives.

### 2 Swivel

Utilizing Tapered Thrust bearings to support the drill stem and allow the mud to flow while drilling.



### 6 Tongs

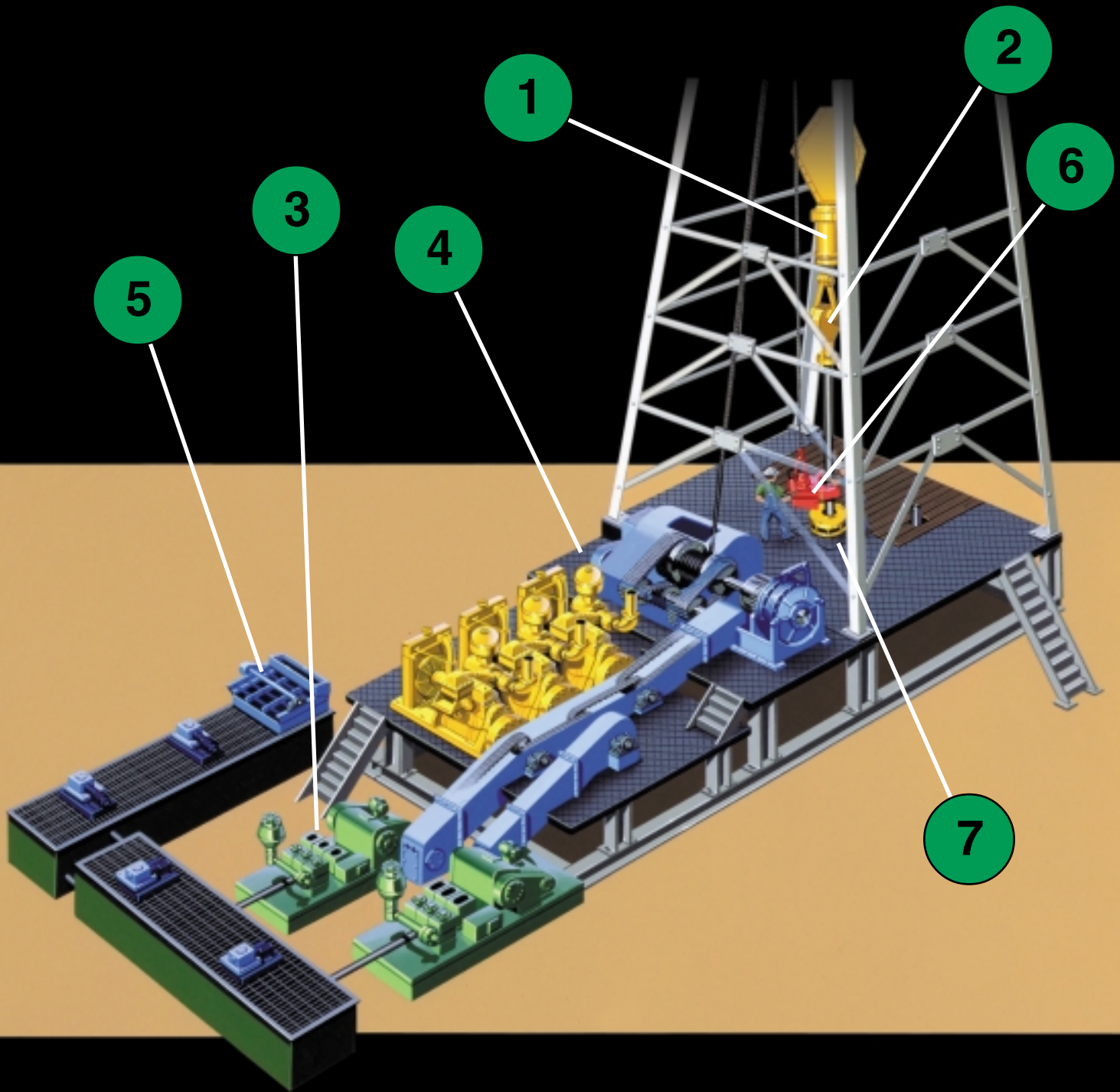
some power tongs utilize cylindrical and spherical radial roller bearings on the drive and clamping mechanisms.

### 7 Rotary Table

Roller bearings for the rotary table drive.



# *Where To Find ROLLWAY On A Typical Rig...*



**ROLLWAY is a world leader in the design and manufacture of Roller Bearings for oil field equipment. ROLLWAY is a single source of supply for many of these specialized engineered bearings. For more information reference our catalog RB-00 or call ROLLWAY at 1-800-448-2260**



## EMERSON POWER TRANSMISSION

For well over 100 years EPT's renowned brand name products have empowered oil production exploration and refining around the world. These well respected brands combine to provide the oil industry integrated solutions to your power transmission needs. EPT's worldwide distribution network provides value-added service to support industry needs.

**MORSE** - Performance proven roller chain, mechanical clutches & enclosed gearing.

**McGILL** - Full complement of anti-friction bearings including cam followers, needle bearings and spherical bearings.

**ROLLWAY** - High quality radial and thrust bearings.

**KOP-FLEX** - Heavy duty industrial couplings for all aspects of the oil industry.

**SEALMASTER** - The world's most specified mounting bearings available in stock and custom configurations.

**BROWNING** - The world's leader in V-Belt drives and the broadest array of sprockets, bearings and enclosed gearing.

FOR ORDERING INFORMATION,  
CONTACT YOUR AUTHORIZED  
ROLLWAY DISTRIBUTOR OR  
CONTACT ROLLWAY CUSTOMER SERVICE

**LIPE-ROLLWAY CORPORATION**  
P.O. Box 4827  
Syracuse, NY 13221  
Telephone 315-457-6211  
Fax 315-451-8596  
1-800-448-2260

## OTHER EPT CUSTOMER SERVICE CENTERS

**BROWNING, KOP-FLEX & VAN GORP**  
Maysville, KY 41056  
Telephone 606-564-2011  
1-800-626-2120  
Fax 606-564-2052  
1-800-262-3292

**MORSE & SEALMASTER**  
7120 Buffington Rd.  
P.O. Box 728  
Florence, KY 41022  
Telephone 606-342-7900  
1-800-354-9825  
Fax 606-342-5652  
606-342-5654

**McGILL MANUFACTURING CO., INC.**  
909 North Lafayette St.  
Valparaiso, IN 46383  
Telephone 219-465-2200  
Fax 219-465-2290

**EMERSON POWER TRANSMISSION – WEST**  
3553 Placentia Ct.  
Chino, CA 91710  
Telephone 909-591-9561  
1-800-468-3751  
Other 1-800-421-6047  
Fax 909-465-1955  
1-800-261-6516

**KOP-FLEX, INC.**  
P.O. Box 1696  
Baltimore, MD 21203  
Telephone 410-768-2000  
Fax 410-787-8433

**EMERSON POWER TRANSMISSION – CANADA**  
9999 Highway 48  
Markham, ONT L3P 3J3  
Telephone 905-294-9330  
1-800-268-4149  
Fax 1-800-668-9005

**EMERSON POWER TRANSMISSION – EXPORT**  
7120 Buffington Rd.  
Florence, KY 41042  
Telephone 606-727-5273  
Fax 606-727-0721

### APPLICATION CONSIDERATIONS

The proper selection and application of power transmission products and components, including the related area of product safety, is the responsibility of the customer. Operating and performance requirements and potential associated issues will vary appreciably depending upon the use and application of such products and components. The scope of the technical and application information included in this publication is necessarily limited. Unusual operating environments and conditions, lubrication requirements, loading supports, and other factors can materially affect the application and operating results of the products and components and the customer should carefully review its requirements. Any technical advice or review furnished by Emerson Power Transmission Corporation and its divisions with respect to the use of products and components is given in good faith and without charge, and Emerson assumes no obligation or liability for the advice given, or results obtained, all such advice and review being given and accepted at customer's risk.

For a copy of our **Standard Terms and Conditions of Sale, Disclaimers of Warranty, Limitation of Liability and Remedy**, please contact ROLLWAY® customer service, 1-800-448-2260. These terms and conditions of sale, disclaimers and limitations of liability apply to any person who may buy, acquire or use an Emerson Power Transmission Corporation product referred to herein, including any person who buys from a licensed distributor of these branded products.