



# ROLLWAY™ ROLLER BEARINGS FOR THE METALS INDUSTRY

# Anti-Friction Bearings...

Since the introduction of Anti-Friction bearings into rolling mills in the 1920's **ROLLWAY** has been providing high quality engineered roller bearing products to keep the mills producing efficiently. Since the 1920's roller bearing technology has changed dramatically and **ROLLWAY** has been there leading the way. **ROLLWAY** was the first bearing company to offer vacuum degassed steel and crowned rollers on all standard products.



Today **ROLLWAY** is still manufacturing some of the highest quality bearings obtainable. Our components are made from the finest bearing grade steel available, manufactured in the most efficient manner in a modern facility by some of the highest skilled workers in the industry.

Whether you are looking for a cylindrical mill support bearing or a bearing for use on your rolling mill, **ROLLWAY** is able to offer an interchange product or a complete new design to keep the mill running.

## ***ROLLWAY Offers A Wide Variety of Cylindrical Roller Bearings For Rolling Mill Applications***

**Mill Support Products - most mill support products are available from stock:**

**Table Roll Bearings  
Line Shaft Bearings  
Mill Motor Bearings**

**Mill Stand Applications - ROLLWAY has the capabilities for the design and production of cylindrical roller bearings used on mill stands:**

**Cylindrical Roll Neck Bearings  
Screw Down Thrust Bearings**



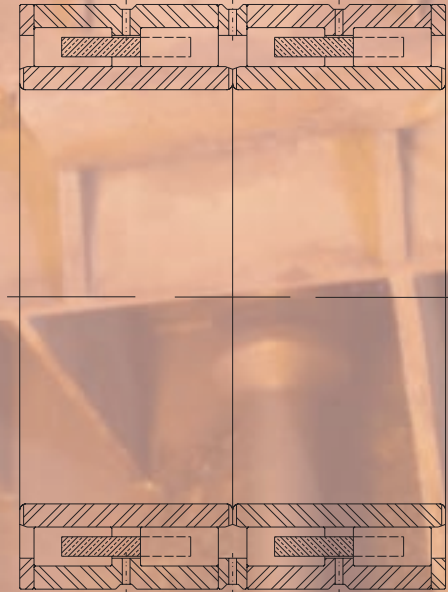
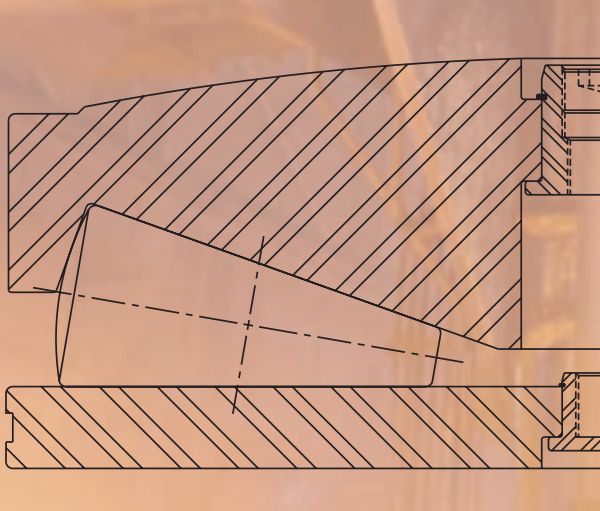
**Engineered Bearings For Your Applications 1-800-448-2260**



# Mill Stand Bearings...

Can be provided as interchange products or Engineered to Order. Contact ROLLWAY customer service for available sizes or quotes. We will be happy to quote on any of the following product types:

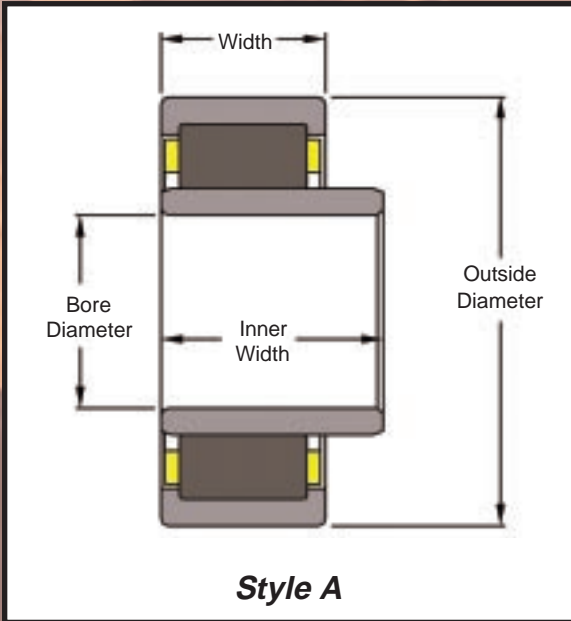
**Cylindrical Roll Neck Designs available up to 1,067mm Outside Diameter**



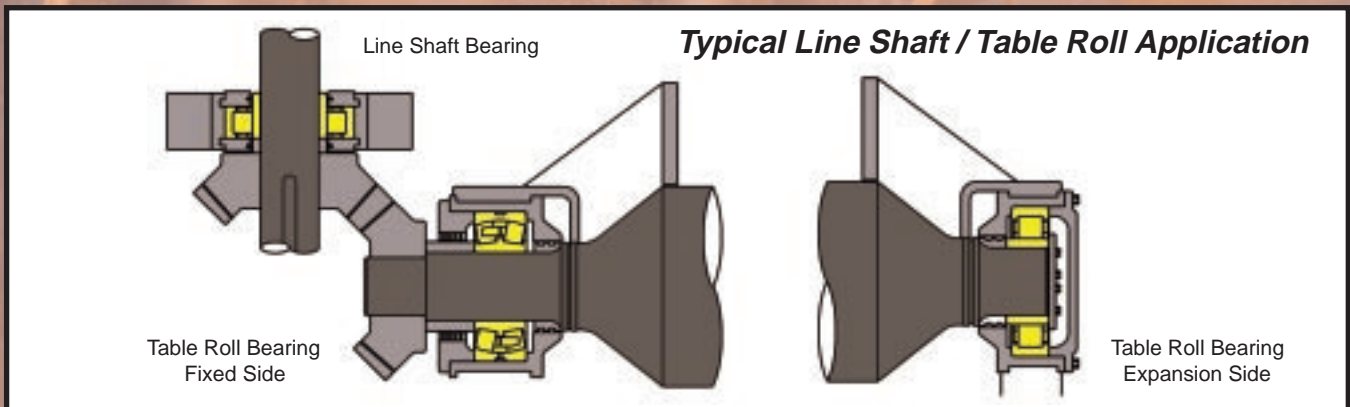
**Screw Down Thrust Bearings**  
**Cylindrical Roller or Tapered Roller Designs available**

If you would like more information concerning Applications or Interchanging ROLLWAY roller bearings, **just call: 1-800-448-2260** and ask any of the **customer service representatives**. If they are unable to answer your questions they will be happy to forward your call to one of our application or product engineers for immediate assistance.

# Cylindrical Roller Bearings For Table Roll & Line Shaft Applications...

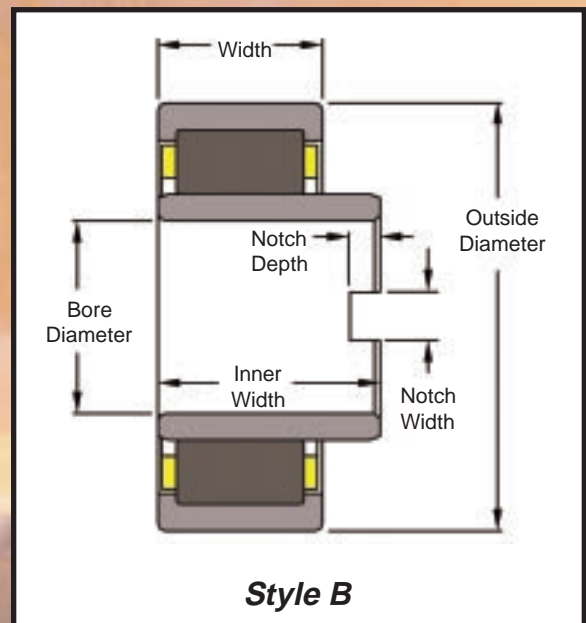


**Table Roll Bearings...** Rollway's cylindrical roller bearing used in table roll applications are tough and designed to last in this severe application. Our cylindrical **table roll bearings** (style A) are primarily used on the floating or expansion end of the roll. The design of the inner race provides for expansion that normally occurs as the rolls heat up and deflect under load. Some table roll bearings are supplied with the inner race wider than the outer race to provide for maximum expansion.



**Line Shaft Bearings...** Our cylindrical **line shaft bearings** (style B) are used to support the long line shafts that drive the table rolls, the bearings that are positioned between the table roll drive gears. These usually have inch dimension bore diameters with extended and slotted inner rings. The special inner race design allows for maximum shaft expansion, the slot enables the race to be secured to the shaft, reducing the chance of the race slipping when the line shaft reverses direction. Many of our table roll and line shaft bearings are supplied with unmounted internal clearances greater than standard for use in applications requiring heavy shaft fits.

The table on the following page is a listing of Rollway's 5200 series cylindrical radial roller bearings that are used in these applications.





# ROLLWAY 5200 Series Cylindrical Roller Bearings

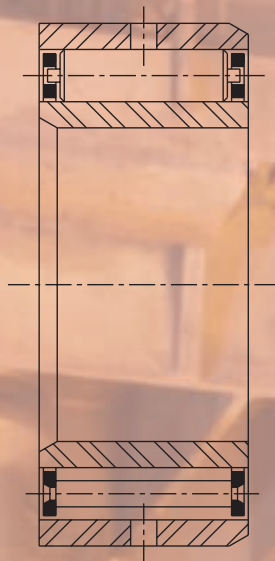


Bearing Number	Style	Bore	Outside Diameter	Width	Inner Ring Width	Notch Width	Notch Depth
E-5218-U	A	3.5433	6.2992	2.0625	2.0625	-	-
E-5218-U-102	A	3.5433	6.2992	2.0625	2.5000	-	-
E-5218-U-103	B	3.5008	6.2992	2.0625	2.5000	0.895	0.349
E-5219-U	A	3.7402	6.6929	2.1875	2.1875	-	-
E-5219-U-112	A	3.7402	6.6929	2.1875	2.7500	-	-
E-5219-U-113	A	3.7402	6.6929	2.1875	2.1875	-	-
E-5220-U	A	3.9370	7.0866	2.3750	2.3750	-	-
E-5220-U-106	A	3.9370	7.0866	2.3750	3.0000	-	-
E-5220-U-105	B	4.0008	7.0866	2.3750	3.0000	1.020	0.380
E-5220-U-119	B	4.0010	7.0866	2.3750	4.3750	1.000	0.400
E-5222-U	A	4.3307	7.8740	2.7500	2.7500	-	-
E-5222-U-106	A	4.3307	7.8740	2.7500	3.2500	-	-
E-5222-U-102	B	4.5008	7.8740	2.7500	3.2500	1.145	0.380
E-5224-U	A	4.7244	8.4646	3.0000	3.0000	-	-
E-5224-U-103	A	4.7244	8.4646	3.0000	3.5000	-	-
E-5224-U-105	B	4.7508	8.4646	3.0000	3.5000	1.145	0.380
E-5226-U	A	5.1180	9.0551	3.1250	3.1250	-	-
E-5226-U-104	A	5.1180	9.0551	3.1250	3.6250	-	-
E-5228-U	A	5.5118	9.8425	3.2500	3.2500	-	-
E-5228-U-105	A	5.5118	9.8425	3.2500	3.7500	-	-
E-5228-U-108	B	5.4375	9.8425	3.2500	5.1250	1.395	0.380
E-5228-U-109	B	5.5000	9.8425	3.2500	3.7500	1.395	0.380
E-5230-U	A	5.9055	10.6299	3.5000	3.5000	-	-
E-5230-U-102	B	5.9385	10.6299	3.5000	4.1250	1.525	0.505
E-5232-U	A	6.2992	11.4173	3.8750	3.8750	-	-
E-5232-U-104	A	6.2992	11.4173	3.8750	4.5000	-	-
E-5232-U-103	B	6.0010	11.4173	3.8750	4.5000	1.562	0.500
E-5234-UMR	A	6.6929	12.2047	4.1250	4.1250	-	-
E-5236-UMR	A	7.0866	12.5984	4.2500	4.2500	-	-
E-5236-UMR-103	A	7.0866	12.5984	4.2500	5.0000	-	-
E-5236-UMR-104	B	7.0010	12.5984	4.2500	5.0000	1.775	0.448
E-5238-UMR	A	7.4803	13.3858	4.5000	4.5000	-	-
E-5238-U-102	A	7.4803	13.3858	4.5000	5.2500	-	-
E-5240-UMR	A	7.8740	14.1732	4.7500	4.7500	-	-
E-5240-UMR-101	A	7.8740	14.1732	4.7500	5.7500	-	-
E-5244-UMR	A	8.6614	15.7480	5.2500	5.2500	-	-
E-5248-UMR	A	9.4488	17.3228	5.7500	5.7500	-	-
E-5248-U-101	A	9.4488	17.3228	5.7500	7.0000	-	-

Engineered Bearings For Your Applications 1-800-448-2260



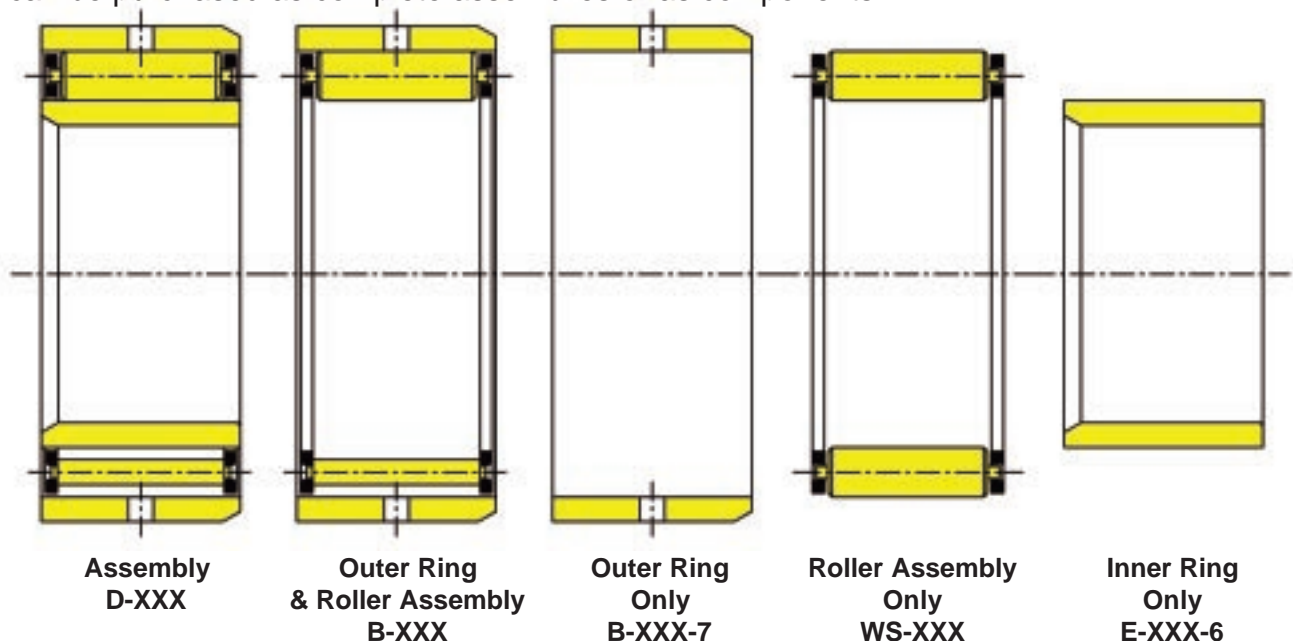
# Steel Cage Journal Bearings For Table Rolls, Line Shafts & General Mill Service...



**ROLLWAY'S Steel Cage Journal Bearings** are the same basic 200 and 300 series "3 piece bearings" that have been supplied for over 50 years.

- They are available as complete assemblies or as components.
- **ROLLWAY** hardens all components to Rc 58 min.
- Roller assemblies have flush ground ends.
- All outer rings are supplied with oil holes.

**ROLLWAY Steel Cage Journal Bearings** are designed and built to industry standards. They can be purchased as complete assemblies or as components





# Cylindrical Roller Bearings For Mill Motor Applications...



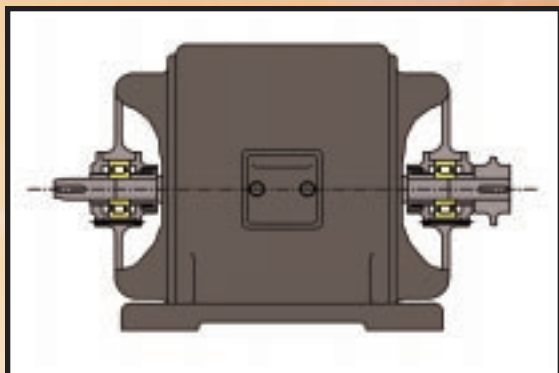
## Mill Motor Cylindrical Roller Bearings...

- L-1300-U series have segmented steel retainers.
- MUL-200 series have machined brass retainers.

## Industry Comparison Table

Rollway Number	General Electric Number	Westinghouse Electric Number	Reliance Electric Number	Frame Size	HP	RPM
L-1309-U	8832705-P1	1297157	4841-9BC	402	5	900
L-1310-U	8832705-P2	1412237	4841-10BD	602	7.5	800
L-1311-U	8832705-P3	1297158	4841-11BA	603	10	725
L-1313-U	8832705-P4	1297159	4841-13BE	604	15	650
L-1315-U	8832705-P5	1412245	4841-15BA	606	25	575
L-1317-U	8832705-P6	1297161	4841-17P	608	35	525
L-1319-U	8832705-P7	1297162	4841-19M	610	50	500
L-1321-U	8832705-P8	1412238	4841-21M	612	75	475
L-1323-U	8832705-P9	1449584	4841-23M	614	100	460
L-1326-U	8832705-P10	1297165	4841-26M	616	150	450
L-1328-U	8832705-P11	1412242	4841-28M	618	200	410
MUL-230-007	8832705-P12	-	4841-30M	620	275	370
MUL-232-007	8832705-P13	-	-	622	375	340
MUL-236-007	8832705-P14	-	-	624	500	320

EPT and Rollway Bearing are not affiliated with any of the foregoing companies.



*If you would like more information concerning Applications or Interchanging ROLLWAY roller bearings, just call: 1-800-448-2260 and ask any of the customer service representatives. If they are unable to answer your questions they will be happy to forward your call to one of our application or product engineers for immediate assistance.*

Engineered Bearings For Your Applications 1-800-448-2260

**R** ROLLWAY™



# EMERSON POWER TRANSMISSION

**Call Toll-Free  
Today For The  
ROLLWAY Distributor  
Nearest You.**

**1-800-448-2260**



**Browning**  
Helical Speed  
Reducers & Gear Motors



**KOP-FLEX**  
Couplings



**SEALMASTER**  
Mounted Ball Bearings



**ROLLWAY**  
Roller Bearings

*We'll be happy to answer any questions you might have about ROLLWAY Bearings, including applications, nonstandard bearings and availability.*



**SEALMASTER**  
Roller Bearings



**Browning**  
Spherical Bearings



**KOP-FLEX**  
Couplings

## CUSTOMER SERVICE CENTERS

### **BROWNING & VAN GORP**

Maysville, KY 41056  
Telephone 606-564-2011  
1-800-626-2120  
Fax 606-564-2052  
1-800-262-3292

### **MORSE & SEALMASTER**

7120 Buffington Rd.  
P.O. Box 728  
Florence, KY 41022  
Telephone 606-342-7900  
1-800-354-9825  
Fax 606-342-5652  
606-342-5654

### **EMERSON POWER TRANSMISSION / WEST**

3553 Placentia Ct.  
Chino, CA 91710  
Telephone (CA) 909-591-9561  
1-800-468-3751  
Other 1-800-421-6047  
Fax 909-628-1983  
1-800-261-6516

### **KOP-FLEX**

P.O. Box 1696  
Baltimore, MD 21203  
Telephone 410-768-2000  
Fax 410-787-8433

### **McGILL**

909 North Lafayette St.  
Valparaiso, IN 46383  
Telephone 219-465-2200  
Fax 219-465-2290

### **ROLLWAY**

P.O. Box 4827  
Syracuse, NY 13221  
Telephone 315-457-6211  
Fax 315-451-8596  
1-800-448-2260

### **EMERSON POWER TRANSMISSION / CANADA**

9999 Highway 48  
Markham, ONT L3P 3J3  
Telephone 905-294-9330  
1-800-268-4149  
Fax 1-800-668-9005

### **EMERSON POWER TRANSMISSION / EXPORT**

7120 Buffington Rd.  
Florence, KY 41042  
Telephone 606-727-5273  
606-727-0721

## APPLICATION CONSIDERATIONS

The proper selection and application of power transmission products and components, including the related area of product safety, is the responsibility of the customer. Operating and performance requirements and potential associated issues will vary appreciably depending upon the use and application of such products and components. The scope of the technical and application information included in this publication is necessarily limited. Unusual operating environments and conditions, lubrication requirements, loading supports, and other factors can materially affect the application and operating results of the products and components and the customer should carefully review its requirements. Any technical advice or review furnished by Emerson Power Transmission Corp. and its divisions with respect to the use of products and components is given in good faith and without charge, and Emerson assumes no obligation or liability for the advice given, or results obtained, all such advice and review being given and accepted at customer's risk.

For a copy of our **Standard Terms and Conditions of Sale, Disclaimers of Warranty, Limitation of Liability and Remedy**, please contact Rollway's customer service, 1-800-448-2260. These terms and conditions of sale, disclaimers and limitations apply to any person who may buy, acquire or use an Emerson Power Transmission Corp. product referred to herein, including any person who buys from a licensed distributor of these branded products.



**EMERSON POWER TRANSMISSION CORP.**  
620 S. AURORA STREET  
ITHACA, NEW YORK 14850

Visit us on the Web today!  
See <http://www.emerson-ept.com>

FORM 8615 7/98  
Printed in USA