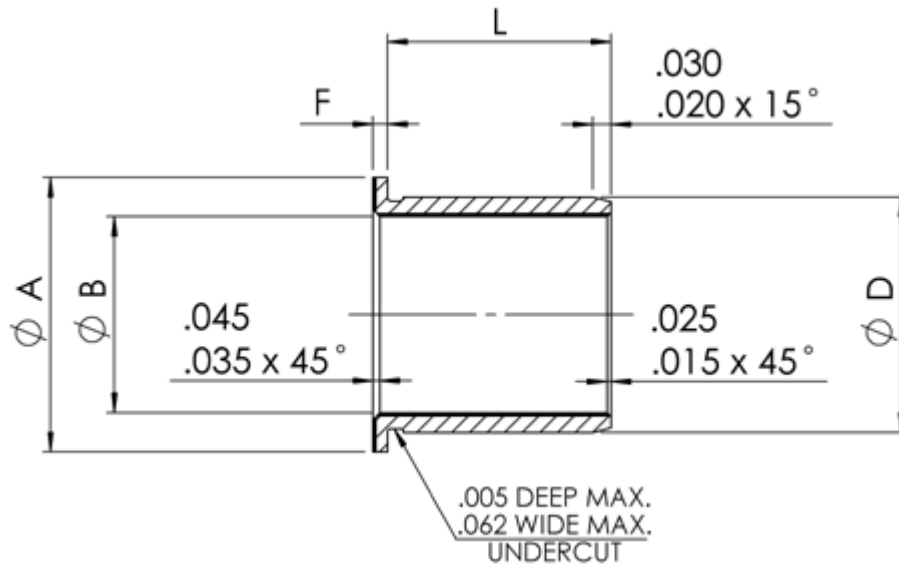


M 81934/2 Flanged Series Aluminium BFD--A--
 Menu

- P/N X-Ref
- Materials
- Clearance/Torque
- Staking Groove
- Limits & Fits
- Keyways



Bore Code	B	D	F	A	Length code																																
	+0 -.0010	+0 -.0005	+0 -.005	+0 -.020	.05	.06	.07	.08	.09	.10	.11	.12	.14	.16	.18	.20	.22	.24	.28	.32	.36	.40	.44	.48	.52	.56	.60	.64	.68	.72	.76	.80	.88	.9			
					L ⁺⁰ L ^{-.010}																																
04	.2515	.3760	.0625	.750	.156	.187	.218	.250	.281	.312	.343	.375	.437	.500	.562	.625	.687	.750	.875	1.000	1.125	1.250	1.375	1.500	1.625	1.750	1.875	2.000	2.125	2.250	2.375	2.500	2.750	3.0			
05	.3140	.4386	.0625	.812																																	
06	.3765	.5012	.0625	.875																																	
07	.4390	.5638	.0625	.937																																	
08	.5015	.6265	.0625	1.000																																	
09	.5640	.6892	.0625	1.125																																	
10	.6265	.8142	.0625	1.250																																	
11	.6890	.8767	.0625	1.375																																	
12	.7515	.9393	.0625	1.500																																	
14	.8765	1.0645	.0625	1.625																																	
16	1.0015	1.1898	.0625	1.750																																	
18	1.1265	1.3148	.0937	1.875																																	
20	1.2515	1.4398	.0937	2.000																																	
22	1.3765	1.5648	.0937	2.125																																	
24	1.5015	1.7523	.0937	2.250																																	
26	1.6265	1.8773	.0937	2.375																																	
28	1.7515	2.0023	.0937	2.500																																	
32	2.0015	2.2523	.0937	2.750																																	

Dimensions in inches

Load Calculations

Permissible dynamic load = 37,500 x B x (L-1) lbf

Where:

B = Bush bore

L = Bush length


 Head Office UK Germany France Italy Singapore USA Contact Details