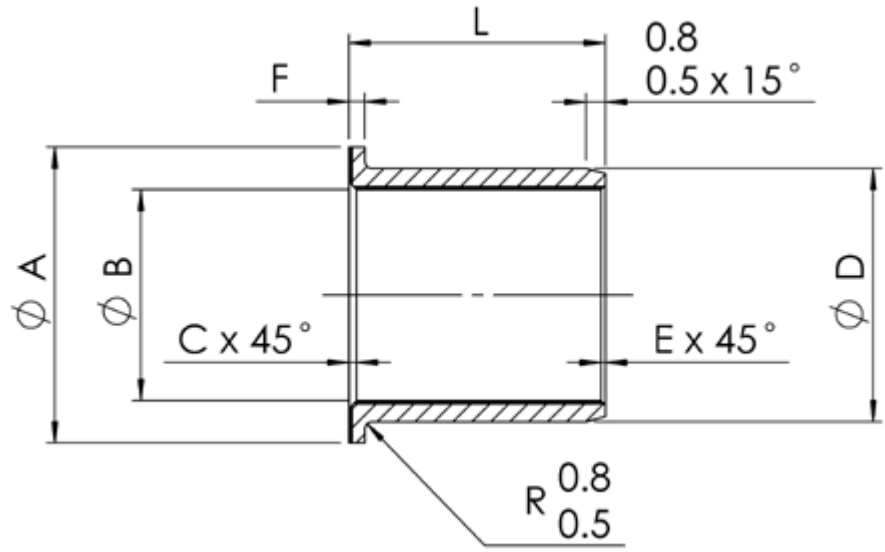


NSA 8148	Flanged Series Aluminium	BFD-A-NSA
Menu		

- | | | | | | |
|---------------------------|---------------------------|----------------------------------|--------------------------------|-----------------------------------|-------------------------|
| P/N X-Ref | Materials | Clearance/Torque | Staking Groove | Limits & Fits | Keyways |
|---------------------------|---------------------------|----------------------------------|--------------------------------|-----------------------------------|-------------------------|



Bore Code	B		D		A	E	C	F	Length Code													
	max	min	max	min	+0 -0.25	min	min	+0 -0.13	06	08	10	12	16	20	24	32	40	48	64	80	96	
									4.76	6.35	7.94	9.52	12.70	15.87	19.05	25.40	32.75	38.10	50.80	63.50	76.2	
04	6.380	6.358	9.550	9.538	12.70																	
05	7.973	7.950	11.140	11.128	14.30																	
06	9.563	9.540	12.730	12.715	15.90																	
07	11.188	11.164	15.924	15.900	19.10	0.25	0.50															
08	12.741	12.715	17.496	17.483	22.20																	
10	15.918	15.893	20.673	20.660	25.40																	
12	19.101	19.070	23.848	23.835	28.60																	
14	22.278	22.248	27.026	27.013	31.80								Preferred sizes									
16	25.456	25.425	30.201	30.188	34.90																	
18	28.649	28.608	33.383	33.368	41.30																	
20	31.821	31.780	38.148	38.133	44.30																	
22	34.999	34.958	41.323	41.308	47.60	0.51	1.00															
24	38.174	38.133	44.498	44.483	50.80																	
28	44.534	44.493	50.858	50.841	57.20																	
32	50.889	50.843	57.208	57.191	63.50																	

Dimensions in millimetres

Load Calculations

Static limit load = 50,000 x B x (L-1) lbf
 Permissible dynamic load = 37,500 x B x (L-1) lbf

Where:
 B = Bush bore
 L = Bush length

	Head Office	Contact Details				UK	Germany	France	Italy	Singapore	USA