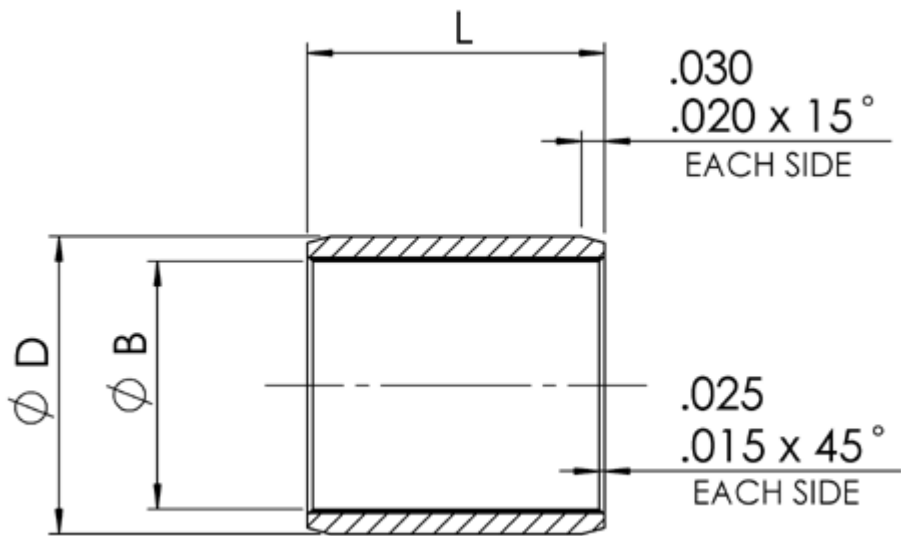


M 81934/1 Plain Series Cres. Steel BPD--C--
[Menu](#)

[P/N X-Ref](#) [Materials](#) [Clearance/Torque](#) [Staking Groove](#) [Limits & Fits](#) [Keyways](#)



Bore Code	B +0 -.0010	D +0 -.0005	Length code																																
			05	06	07	08	09	10	11	12	14	16	18	20	22	24	28	32	36	40	44	48	52	56	60	64	68	72	76	80	88	96			
			+0 L-.010																																
04	.2515	.3760	.156	.187	.218	.250	.281	.312	.343	.375	.437	.500	.562	.625	.687	.750	.875	1.000	1.125	1.250	1.375	1.500	1.625	1.750	1.875	2.000	2.125	2.250	2.375	2.500	2.750	3.000			
05	.3140	.4386																																	
06	.3765	.5012																																	
07	.4390	.5638																																	
08	.5015	.6265																																	
09	.5640	.6892																																	
10	.6265	.8142																																	
11	.6890	.8767																																	
12	.7515	.9393																																	
14	.8765	1.0645																																	
16	1.0015	1.1898																																	
18	1.1265	1.3148																																	
20	1.2515	1.4398																																	
22	1.3765	1.5648																																	
24	1.5015	1.7523																																	
26	1.6265	1.8773																																	
28	1.7515	2.0023																																	
32	2.0015	2.2523																																	

Dimensions in inches

Load Calculations

Static limit load = $78,500 \times B \times (L-1)$ lbf
 Permissible dynamic load = $37,500 \times B \times (L-1)$ lbf
 Where:
 B = Bush bore
 L = Bush length

Head Office [UK](#) [Germany](#) [France](#) [Italy](#) [Singapore](#) [USA](#)
 Contact Details

