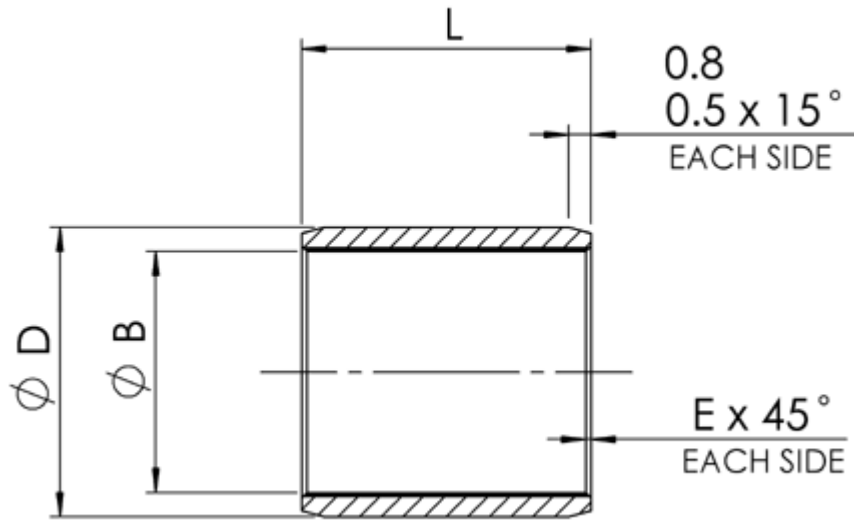


NSA 8145 Plain Series Cres. Steel BPD-C-NSA
 Menu

P/N X-Ref Materials Clearance/Torque Staking Groove Limits & Fits Keyways



Bore Code	B		D		E min	Length code															
	max	min	max	min		05	06	08	10	12	16	20	24	32	40	48	64	80	96		
	L ^{-0.127} L ^{-0.381}																				
	3.97	4.76	6.35	7.94	9.52	12.70	15.87	19.05	25.40	32.75	38.10	50.80	63.50	76.20							
04	6.380	6.358	9.550	9.538	0.25																
05	7.973	7.950	11.140	11.128																	
06	9.563	9.540	12.730	12.715																	
07	11.188	11.164	15.924	15.900																	
08	12.741	12.715	17.496	17.483																	
10	15.918	15.893	20.673	20.660																	
12	19.101	19.070	23.848	23.835																	
14	22.278	22.248	27.026	27.013																	
16	25.456	25.425	30.201	30.188																	
18	28.649	28.608	33.383	33.368																	
20	31.821	31.780	38.148	38.133																	
22	34.999	34.958	41.323	41.308		0.51															
24	38.174	38.133	44.498	44.483																	
28	44.534	44.493	50.858	50.841																	
32	50.889	50.843	57.208	57.191																	

Dimensions in millimetres

Load Calculations

Static limit load = 78,500 x B x (L-1) lbf
 Permissible dynamic load = 37,500 x B x (L-1) lbf

Where:

B = Bush bore
 L = Bush length

NMB Head Office UK Germany France Italy Singapore USA
 Contact Details