

EN 2336 Light Series Entry Slot MBJ200EN

Menu

P/N X-Ref

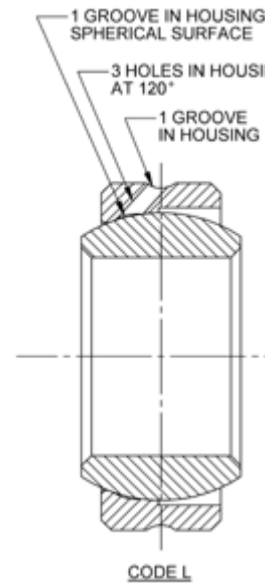
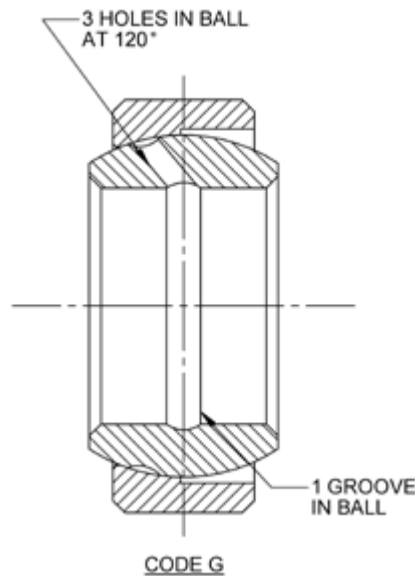
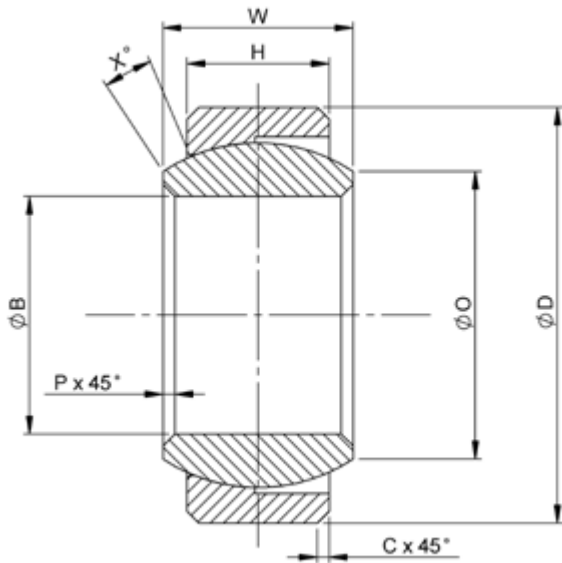
Materials

Clearance/Torque

Staking Groove

Limits & Fits

Keyways



Bore code	B		D		H	W		O	C	P	X°	Ball dia nom	Maximum static loads		Weigh approx g	
	nom	limit	nom	limit	+0 -0.25	nom	limit	min			max		Radial kN	Axial kN		
05	5		14	+0.005	4	6	+0	7		0.3	0.3	13	10	12	0.68	4
06	6	+0.002	14	-0.013	4	6	-0.075	8	0.3 to 0.8	0.6	0.6	13	10	16	0.90	4
08	8	-0.010	16		5	8		10				15	13	26	1.50	7
10	10		19	+0.006	6	9	-0.090	13		0.5	0.5	12	16	45	2.30	11
12	12	+0.003	22	-0.015	7	10		15	0.5 to 1.2	0.8	0.8	11	18	60	3.20	15
15	15	-0.011	26		9	12		18				8	22	90	5.55	28
17	17		30	+0	10	14	-0.110	20				10	25	110	6.95	44
20	20	+0.003	35	+0.008	12	16		24	0.6 to 1.5	0.7	0.7	9	29	160	9.85	60
25	25	-0.013	42	-0.019	16	20		29				7	36	270	18.15	105
30	30		47	+0	18	22	-0.130	34		1.1	1.1	6	41	380	25.16	145
35	35		55		20	25		39				6	47	500	30.00	210
40	40	+0.003	62	+0.010	22	28		45				7	53	630	36.66	285
45	45	-0.015	68	-0.023	25	32		50				7	60	820	48.10	420
50	50		75		28	35	+0	55	0.8 to 1.7	1.2	1.2	6	66	1000	60.96	515
60	60		90		36	44	-0.160	66				6	80	1600	102.76	1050
70	70	+0.004	105	+0.013	40	49		77		1.7	1.7	6	92	2000	127.80	1510
80	80	-0.019	120	-0.028	45	55	+0	88				6	105	2600	182.80	2250

Dimensions in millimetres

No grease holes or lubrication grooves available in sizes 5 to 12 inclusive



Head Office

UK

Germany

Contact Details

France

Italy

Singapore

USA