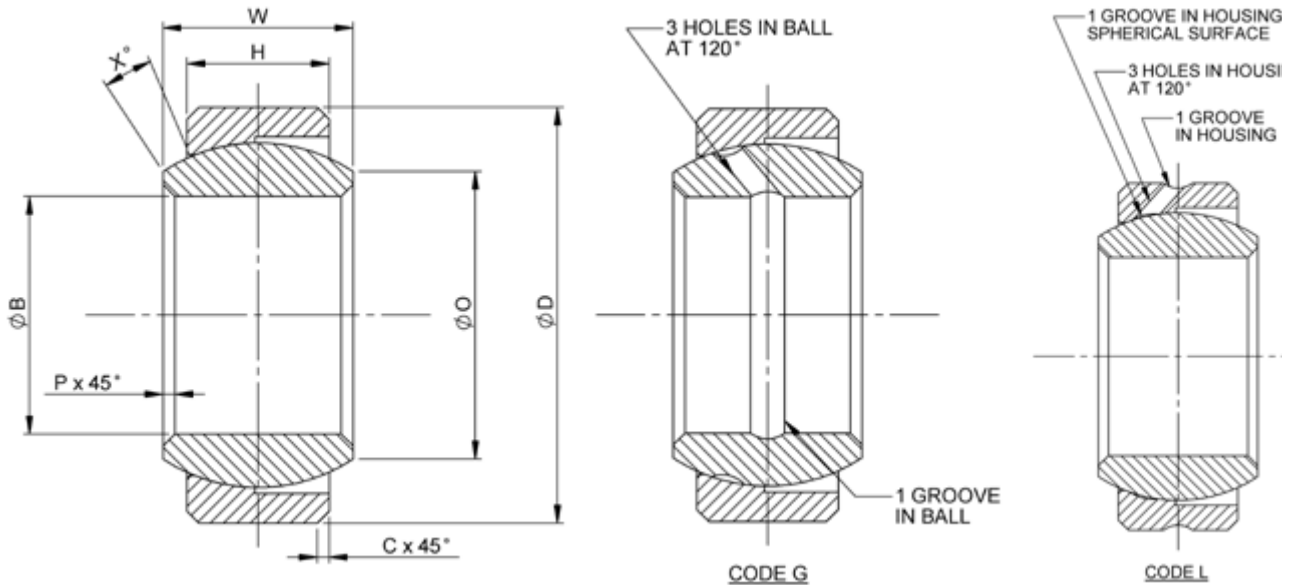


EN 2588 Light Series Entry Slot MBJ200ENS

- Menu
- P/N X-Ref
- Materials
- Clearance/Torque
- Staking Groove
- Limits & Fits
- Keyways



Bore code	B		D		H	W		O	C	P	X°	Ball dia nom	Maximum static loads		Weigh approx: g
	nom	limit	nom	limit	+0 -0.25	nom	limit	min			max		Radial kN	Axial kN	
05	5		14	+0.005	4	6	+0	8	0.3	0.3	13	10	12	0.68	4
06	6	+0.002	14	-0.013	4	6	-0.075	8	to	to	13	10	16	0.90	4
08	8	-0.010	16		5	8		10	0.8	0.6	15	13	26	1.50	7
10	10		19	+0.006	6	9	+0	13		0.5	12	16	45	2.30	11
12	12		22	-0.015	7	10	-0.090	15	0.5 to	to	11	18	60	3.20	15
15	15	+0.003 -0.011	26		9	12		18	1.2	0.8	8	22	90	5.55	28
17	17		30	+0	10	14	-0.110	20			10	25	110	6.95	44
20	20		35	+0.008	12	16		24	0.6	0.7	9	29	160	9.85	60
25	25	+0.003 -0.013	42	-0.019	16	20		29	to	to	7	36	270	18.15	105
30	30		47	+0	18	22	-0.130	34	1.5	1.1	6	41	380	25.16	145
35	35		55		20	25		39			6	47	500	30.00	210
40	40	+0.003 -0.015	62	+0.010	22	28		45			7	53	630	36.66	285
45	45		68	-0.023	25	32		50			7	60	820	48.10	420
50	50		75	+0	28	35	+0	55	0.8	1.2	6	66	1000	60.96	515
60	60		90	-0.160	36	44		66	to	to	6	80	1600	102.76	1050
70	70	+0.004 -0.019	105	+0.013	40	49		77	1.7	1.7	6	92	2000	127.80	1510
80	80		120	-0.028	45	55	+0 -0.190	88			6	105	2600	182.80	2250

Dimensions in millimetres
 No grease holes or lubrication grooves available in sizes 5 to 12 inclusive

NMB Head Office UK Germany France Italy Singapore USA

Contact Details