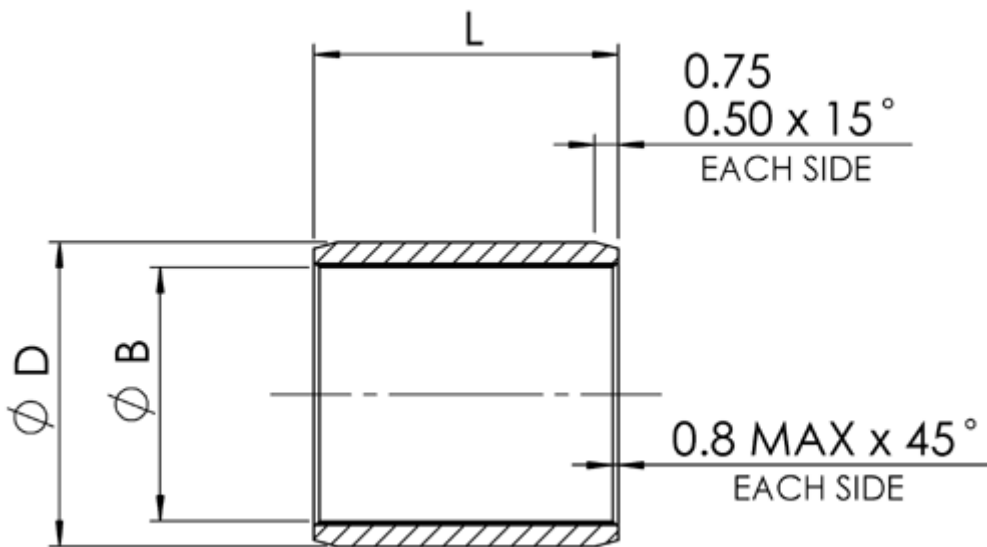


EN 2285 Plain Series Aluminium Alloy MLPD
 Menu

- P/N X-Ref
- Materials
- Clearance/Torque
- Staking Groove
- Limits & Fits
- Keyways



B		D		Length																	
nom	tol	nom	tol p6	6	8	10	12	15	16	18	20	22	25	28	30	32	35	40	45	50	
				L ^{-0.1} L ^{-0.4}																	
				Mass in kg/1000 pcs																	
6	+0.022 +0.004	10	+0.024 -0.015	0.9																	
8	+0.027	12	+0.029	1.1	1.4																
10	+0.005	14	+0.018	1.3	1.7	2.1															
12		16		1.5	2.0	2.5	3.0														
15	+0.033	19			2.4	3.0	3.6	4.6													
16	+0.006	20			2.6	3.2	3.8	4.8	5.1												
18		22	+0.035			3.6	4.3	5.5		6.6											
20		25	+0.022			5.0	6.0	7.5			10.0										
22	+0.040	26					5.1	6.4			8.5	9.4									
25	+0.007	30					7.4	9.2			12.5	13.5	15.3								
28		34						12.4			16.6	18.2	20.7	23.2							
30		36	+0.042					13.3			17.7	19.5	22.1		26.5						
32		38	+0.026					14.0			18.7	20.5	23.5		28.0	29.9					
35		42									24.0	26.5	30.1		36.0		42.2				
40	+0.048	48									31.0		39.0		46.9		54.9	62.8			
45	+0.009	52	+0.051										38.0		45.6		53.1	60.7	68.2		
50		58	+0.032										48.7		58.2		67.7	77.3	86.8	96.4	

Dimensions in millimetres

Load Calculations

Static radial limit load = 0.206B x (L-2) kN

Permissible dynamic load = Static radial limit load / 1.2 kN

Where:

- B = Bush bore
- L = Bush length

NMB Head Office UK Germany France Italy Singapore USA
 Contact Details

