

Light Series MSTL(G)

[Menu](#)

[P/N X-Ref](#)

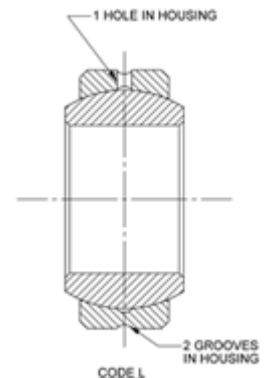
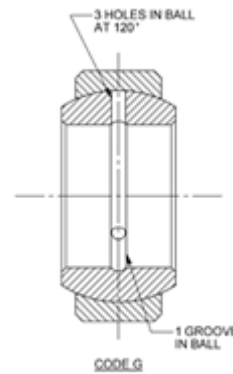
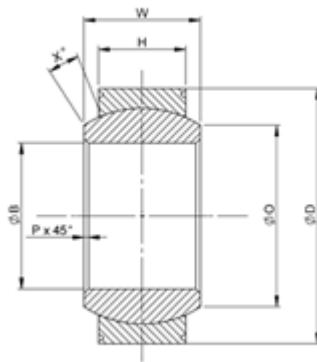
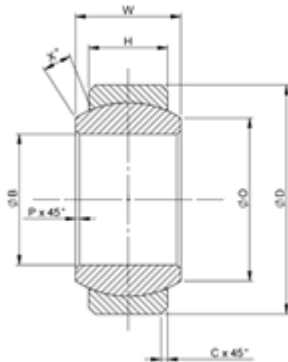
[Materials](#)

[Clearance/Torque](#)

[Staking Groove](#)

[Limits & Fits](#)

[Keyways](#)



Bore code	B		D		H	W	O	C	P	X°	Ball dia nom	Max Static Radial Load N	Weight g max
	nom	limit	nom	limit	+0.1 -0.1	+0 -0.06	min			min			
12	12		22		7	10	14.3	0.5		11	17.46	40500	17
15	15	+0.003	26	+0.006	9	12	18.7	to		9	22.22	66900	32
17	17	-0.011	30	-0.015	10	14	21.2	1.2	0.5 to 0.8	10	25.40	87400	49
20	20		35		12	16	24.9	0.6		9	29.60	127300	65
25	25	+0.003	42	+0.008	16	20	30.0	to		7	36.06	216700	115
30	30	-0.013	47	-0.019	18	22	34.3	1.5		6	40.74	262500	160
35	35		55		20	25	40.5			6	47.62	348100	229
40	40		62		22	28	45.0	0.8	0.6 to 1.0	7	53.00	410200	315
45	45	+0.003	68	+0.010	25	32	51.3	to		7	60.46	545500	460
50	50	-0.015	75	-0.023	28	35	58.2	1.5		7	67.92	695700	560

Dimensions in millimetres

Head Office
UK
Germany
France
Italy
Singapore
USA