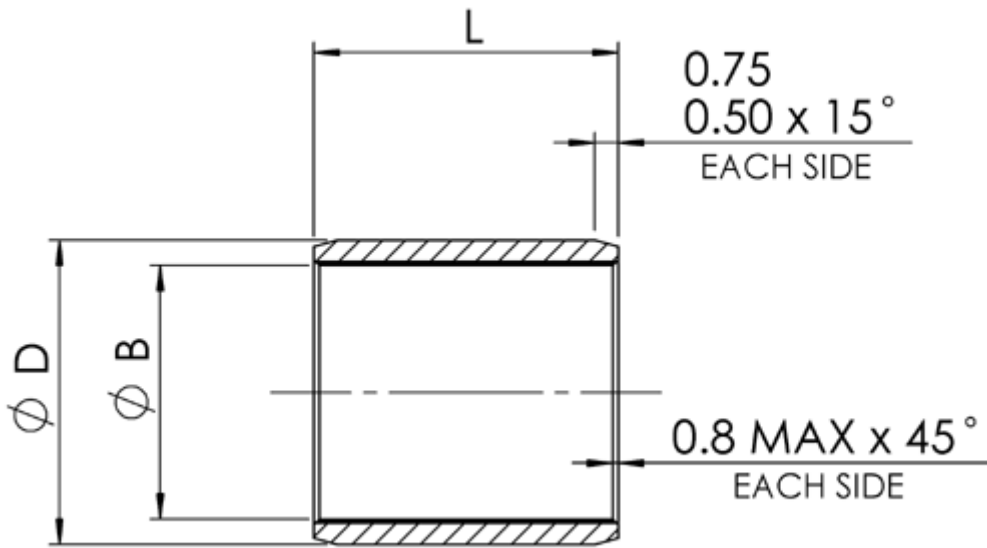


EN 2287	Plain Series Cres. Steel	MTPD
Menu		

P/N X-Ref	Materials	Clearance/Torque	Staking Groove	Limits & Fits	Keyways
-----------	-----------	------------------	----------------	---------------	---------



B		D		Length																	
				6	8	10	12	15	16	18	20	22	25	28	30	32	35	40	45	50	
nom	tol	nom	tol p6	L ^{-0.1} L ^{-0.4}																	
				Mass in kg/1000 pcs																	
6	+0.022 +0.004	10	+0.024 -0.015	2.4																	
8	+0.027	12	+0.029	3.0	4.0																
10	+0.005	14	+0.018	3.5	4.7	5.9															
12		16		4.1	5.5	6.9	8.3														
15	+0.033	19			6.7	8.4	10.1	12.6													
16	+0.006	20			7.1	8.9	10.7	13.4	14.3												
18		22	+0.035			9.9	11.8	14.8		17.8											
20		25	+0.022			13.9	16.7	20.9			27.8										
22		26					14.2	17.8			23.7	26.1									
25	+0.040	30					20.4	25.5			34.0	37.4	42.5								
28	+0.007	34						34.5			46.0	50.6	57.5	64.4							
30		36						36.7			49.0	53.8	61.2		73.4						
32		38	+0.042					39.0			51.9	57.1	64.9		77.9	83.1					
35		42	+0.026								66.6	73.5	83.6		100.3		117.0				
40	+0.048	48									87.0		108.8		130.0		152.2	174.0			
45	+0.009	52	+0.051										105.0		126.0		147.0	168.0	189.0		
50		58	+0.032											133.5		160.0	186.9	214.0	240.3	267.0	

Dimensions in millimetres

Load Calculations

Static radial limit load = 0.43B x (L-2) kN
 Permissible dynamic load = Static radial limit load / 2.5 kN
 Where:
 B = Bush bore
 L = Bush length

	Head Office	UK	Germany	France	Italy	Singapore	USA
	Contact Details						

