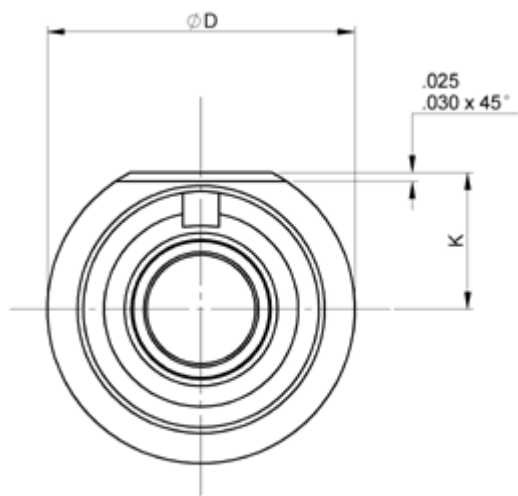
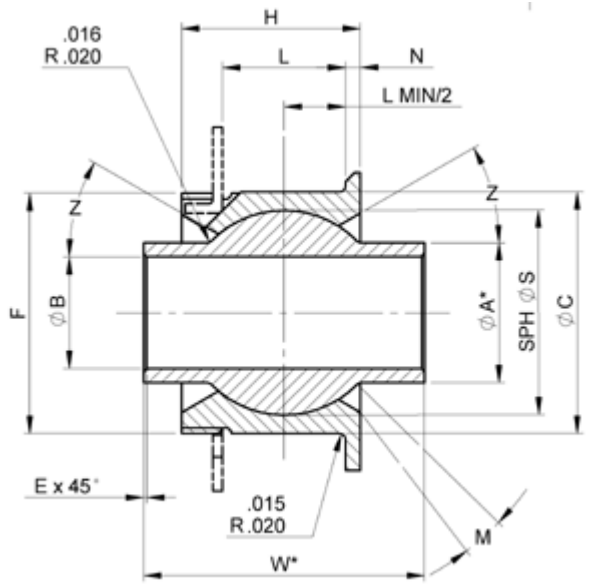


**ABS0571**      **Flanged Series**      **RBF--CX-**  
 Menu

- P/N X-Ref    Materials    Clearance/Torque    Staking Groove    Limits & Fits    Keyways



END VIEW  
(NUT AND WASHER NOT SHOWN)



ABS Part No.	Rose Part No.	B	A	C	D	E	F	H	W	K	L	N	X°	Ball dia nom
		+0 -.0005												
ABS0571-06	RBF06CXB	.3750	.475 .465	.8125 .8118	1.067 1.057	.015 .005	.8125-28	.554 .546	.9449 .9425	.474 .464	.417 .406	.0520 .0470	10	.687
ABS0571-07	RBF07CXB	.4375	.562 .552	.9375 .9368	1.192 1.182	.015 .005	.9375-28	.586 .578	1.0236 1.0213	.536 .526	.449 .437	.0670 .0620	10	.781
ABS0571-08	RBF08CXB	.5000	.600 .590	1.0000 .9993	1.255 1.245	.015 .005	1.0000-28	.649 .641	1.0630 1.0606	.567 .557	.512 .500	.0670 .0620	11.3	.875
ABS0571-10N	RBF10CXA	.6250	.791 .784	1.2291 1.2284	1.453 1.429	.035 .028	1.1875-28	.845 .837	.8750 .8700	.677 .661	.703 .687	.1043 .0925	11	1.062
ABS0571-10W	RBF10CXB	.6250	.791 .784	1.2291 1.2284	1.453 1.429	.035 .028	1.1875-28	.845 .837	1.4961 1.4909	.677 .661	.703 .687	.1043 .0925	11	1.062
ABS0571-12	RBF12CXD	.7500	1.000 .990	1.4375 1.4368	1.755 1.745	.015 .005	1.4375-28	.744 .736	1.2500 1.2476	.786 .776	.575 .555	.1043 .0925	10	1.250
ABS0571-12N	RBF12CXA	.7500	1.004 .996	1.6250 1.6243	1.957 1.933	.035 .028	1.6250-28	.976 .969	1.1004 1.0953	.890 .874	.803 .787	.1043 .0925	13	1.375
ABS0571-12W	RBF12CXB	.7500	1.004 .996	1.6250 1.6243	1.957 1.933	.035 .028	1.6250-28	.976 .969	1.4961 1.4909	.890 .874	.803 .787	.1043 .0925	13	1.375
ABS0571-14N	RBF14CXA	.8750	1.106 1.098	1.7500 1.7493	2.138 2.114	.035 .028	1.7500-20	1.054 1.046	1.0630 1.0579	.992 .976	.881 .865	.1043 .0925	13	1.531
ABS0571-14W	RBF14CXB	.8750	1.106 1.098	1.7500 1.7493	2.138 2.114	.035 .028	1.7500-20	1.054 1.046	1.4961 1.4909	.992 .976	.881 .865	.1043 .0925	13	1.531
ABS0571-16N	RBF16CXA	1.0000	See note	2.1250 2.1243	2.610 2.587	.035 .028	2.1250-20	1.222 1.214	1.3750 1.3700	1.209 1.193	1.021 1.005	.2028 .1909	14	1.875
ABS0571-16W	RBF16CXB	1.0000	1.280 1.272	2.1250 2.1243	2.610 2.587	.035 .028	2.1250-20	1.222 1.214	1.8110 1.8059	1.209 1.193	1.021 1.005	.2028 .1909	14	1.875

ABS Part No.	Rose Part No.	Max static radial load lbf		Max static axial load lbf	
		Limit	Ultimate	Limit	Ultimate
ABS0571-06	RBF06CXB	10000	15000	2300	3450
ABS0571-07	RBF07CXB	12400	18600	2800	4200
ABS0571-08	RBF08CXB	15900	23850	3600	5400
ABS0571-10N	RBF10CXA	20205	30305	3675	5515
ABS0571-10W	RBF10CXB	20205	30305	3675	5515
ABS0571-12	RBF12CXD	26000	39000	4600	6900
ABS0571-12N	RBF12CXA	33805	50705	5635	8450
ABS0571-12W	RBF12CXB	33805	50705	5635	8450
ABS0571-14N	RBF14CXA	42450	63675	7075	10610
ABS0571-14W	RBF14CXB	42450	63675	7075	10610
ABS0571-16N	RBF16CXA	68425	102640	11335	17005
ABS0571-16W	RBF16CXB	68425	102640	11335	17005

Dimensions in inches

Note: ABS0571-16N has no shoulder on the ball. The ball flat dia is 1.275 min.

This series of bearings are supplied with lockwashers and nuts. For details refer to:

Lockwashers - part number [ABS0571-Lock washers](#)

Nuts - part number [ABS0571-Nuts](#)

