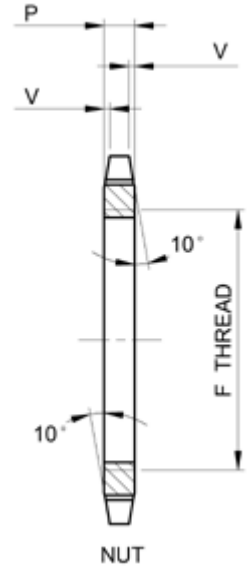
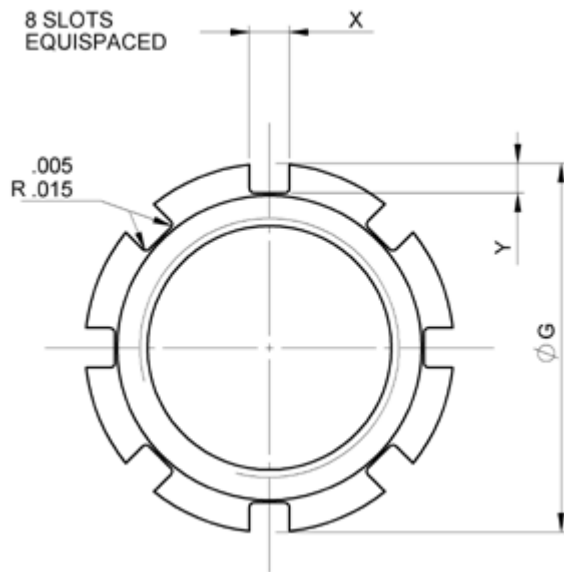


ABS0571 Nut **Nut for Flanged Series** **RBFN--CX-**
 Menu

- P/N X-Ref Materials Clearance/Torque Staking Groove Limits & Fits Keyways



ABS Bearing Code	F	G	P	V	X	Y	Torque for nut installation lbf.in
	UN-3B						
ABS0571-06	.8125-28	1.161 1.151	.980 .930	0	.1300 .1200	.098 .088	133 106
ABS0571-07	.9375-28	1.317 1.307	.980 .930	0	.1300 .1200	.098 .088	133 106
ABS0571-08	1.0000-28	1.380 1.370	.980 .930	0	.1300 .1200	.098 .088	133 106
ABS0571-10N	1.1875-28	1.606 1.602	.1024 .0945	0	.1614 .1516	.098 .078	177 142
ABS0571-10W	1.1875-29	1.626 1.602	.1024 .0945	0	.1614 .1516	.098 .078	177 142
ABS0571-12	1.4375-28	1.942 1.932	.1300 .1250	0	.1614 .1516	.130 .120	266 221
ABS0571-12N	1.6250-28	2.217 2.193	.1339 .1260	.028 .024	.1614 .1516	.098 .078	266 221
ABS0571-12W	1.6250-28	2.217 2.193	.1339 .1260	.028 .024	.1614 .1516	.098 .078	266 221
ABS0571-14N	1.7500-20	2.295 2.272	.1339 .1260	.028 .024	.1614 .1516	.098 .078	266 221
ABS0571-14W	1.7500-20	2.295 2.272	.1339 .1260	.028 .024	.1614 .1516	.098 .078	266 221
ABS0571-16N	2.1250-20	2.846 2.823	.1614 .1535	0	.1614 .1516	.098 .078	266 221
ABS0571-16W	2.1250-20	2.846 2.823	.1614 .1535	0	.1614 .1516	.098 .078	266 221

Dimensions in inches

NMB Head Office UK Germany France Italy Singapore USA Contact Details