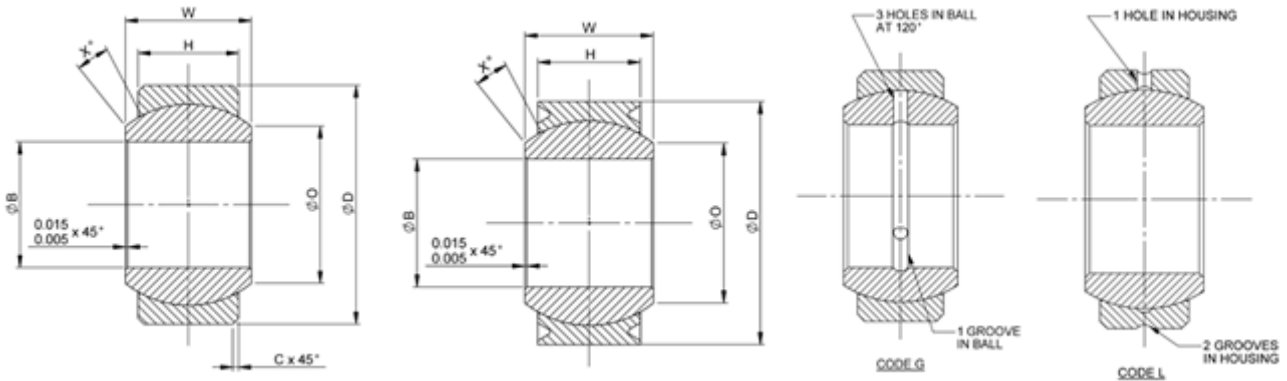


**Narrow Series** **RBTN(G)**

[Menu](#)

- [P/N X-Ref](#)  
 [Materials](#)  
 [Clearance/Torque](#)  
 [Staking Groove](#)  
 [Limits & Fits](#)  
 [Keyways](#)



Bore code	B	D	H	W	O	C	X°	Ball dia nom	Max static radial load lb	Weight lb max
	+0.000 -0.005	+0.000 -0.005	+0.005 -0.005	+0.000 -0.002	nom	+0.015 -0.000	min			
03	.1900	.5625	.218	.281	.335	.020	10	.437	3000	.015
04	.2500	.6562	.250	.343	.364	.020	13	.500	4600	.023
05	.3125	.7500	.281	.375	.460	.020	11	.594	6300	.031
06	.3750	.8125	.312	.406	.475	.020	10	.625	7900	.039
07	.4375	.9062	.343	.437	.530	.020	9	.687	10000	.047
08	.5000	1.0000	.390	.500	.600	.030	9.5	.781	12600	.070
09	.5625	1.0937	.437	.562	.670	.030	10	.875	16500	.094
10	.6250	1.1875	.500	.625	.777	.030	8.5	1.000	20200	.117
12	.7500	1.4375	.593	.750	1.000	.030	8.5	1.250	30200	.203
14	.8750	1.5625	.703	.875	1.060	.030	9	1.375	40100	.273
16	1.0000	1.7500	.797	1.000	1.200	.030	9	1.562	52100	.382
20	1.2500	2.0000	.942	1.093	1.406	.030	6	1.781	70300	.530
24	1.5000	2.4375	1.130	1.312	1.710	.030	6	2.156	105000	.960
28	1.7500	2.8125	1.317	1.531	2.015	.030	6	2.531	143200	1.480
32	2.0000	3.1875	1.505	1.750	2.280	.030	6	2.875	187500	2.100

Dimensions in inches

Head Office
UK
Germany
France
Italy
Singapore
USA