

Wide Series RBTW(G)

Menu

P/N X-Ref

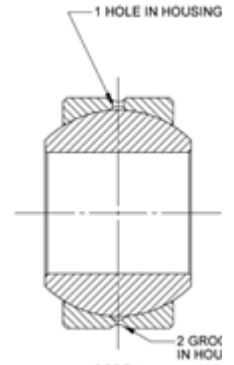
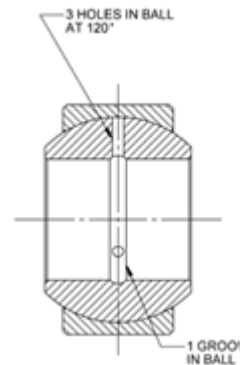
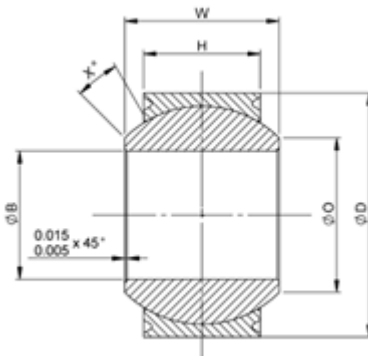
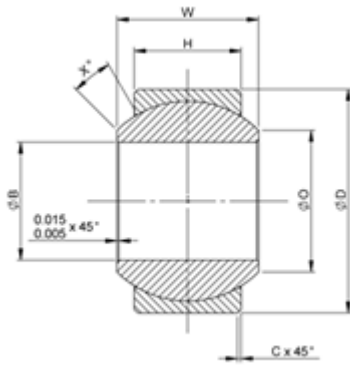
Materials

Clearance/Torque

Staking Groove

Limits & Fits

Keyways



Bore code	B	D	H	W	O	C	X°	Ball dia nom	Max static radial load lb	Weight lb max
	+0.000 -0.005	+0.000 -0.005	+0.005 -0.005	+0.000 -0.002	nom	+0.015 -0.000	min			
03	.1900	.6250	.327	.437	.302	.015	17	.531	6500	.031
04	.2500	.6250	.327	.437	.302	.015	17	.531	6500	.031
05	.3125	.6875	.317	.437	.401	.015	14.5	.594	7000	.035
06	.3750	.8125	.406	.500	.471	.015	10	.687	11600	.055
07	.4375	.9375	.442	.562	.542	.015	12	.781	13000	.080
08	.5000	1.0000	.505	.625	.612	.020	9.5	.875	17700	.100
09	.5625	1.1250	.536	.687	.726	.020	11	1.000	21500	.135
10	.6250	1.1875	.567	.750	.752	.020	12	1.062	24000	.160
12	.7500	1.3750	.630	.875	.893	.020	14	1.250	31000	.240
14	.8750	1.6250	.755	.875	1.060	.020	7	1.375	42700	.350
16	1.0000	2.1250	1.005	1.375	1.275	.020	15	1.875	78000	.970
20	1.2500	2.3750	1.130	1.500	1.459	.020	13	2.094	101200	1.100
24	1.5000	2.6875	1.223	1.687	1.693	.030	14	2.391	123700	1.450
28	1.7500	3.0000	1.317	1.812	1.964	.030	13	2.672	150000	1.850
32	2.0000	3.2500	1.380	1.937	2.208	.030	13	2.937	172500	2.150

Dimensions in inches



Head Office

UK

Germany

Contact Details

France

Italy

Singapore

USA